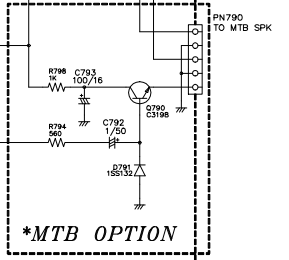
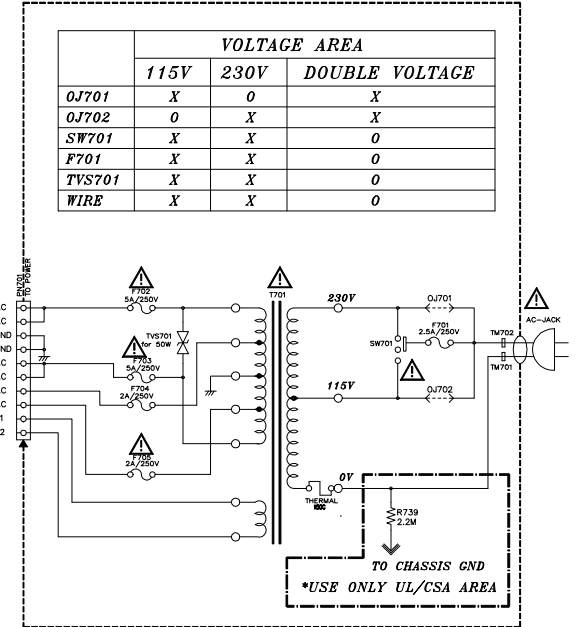


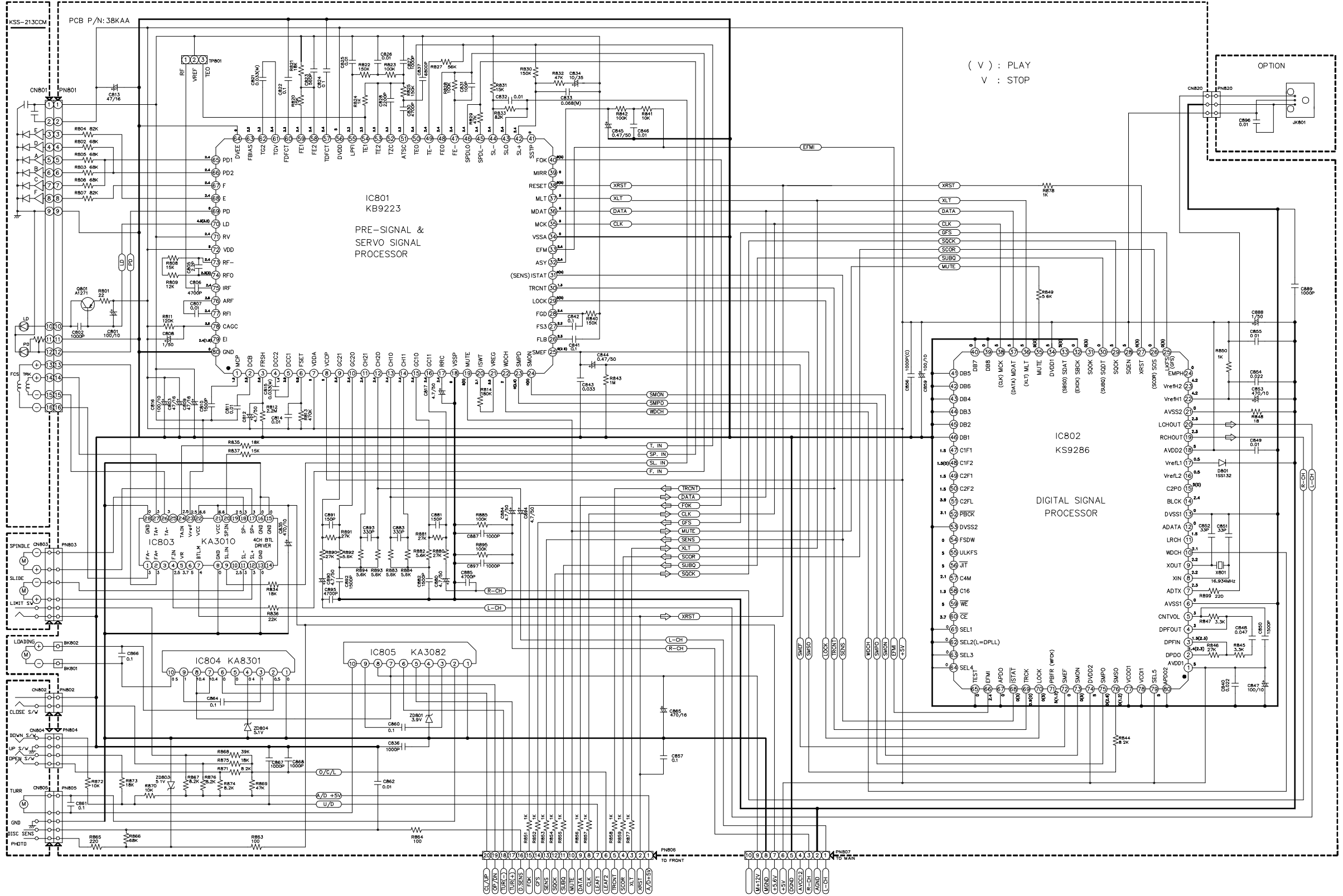
	F-515	F-513
R746	X	10
R747	T/W	10
R748	T/W	10
R749	X	10
R792	15K	47K
R793	15K	39K
ZD704	33V	27V



	VOLTAGE AREA		
	115V	230V	DOUBLE VOLTAGE
OJ701	X	0	X
OJ702	0	X	X
SW701	X	X	0
F701	X	X	0
TVS701	X	X	0
WIRE	X	X	0



TO CHASSIS GND  
\*USE ONLY UL/CSA AREA



( V ) : PLAY  
V : STOP

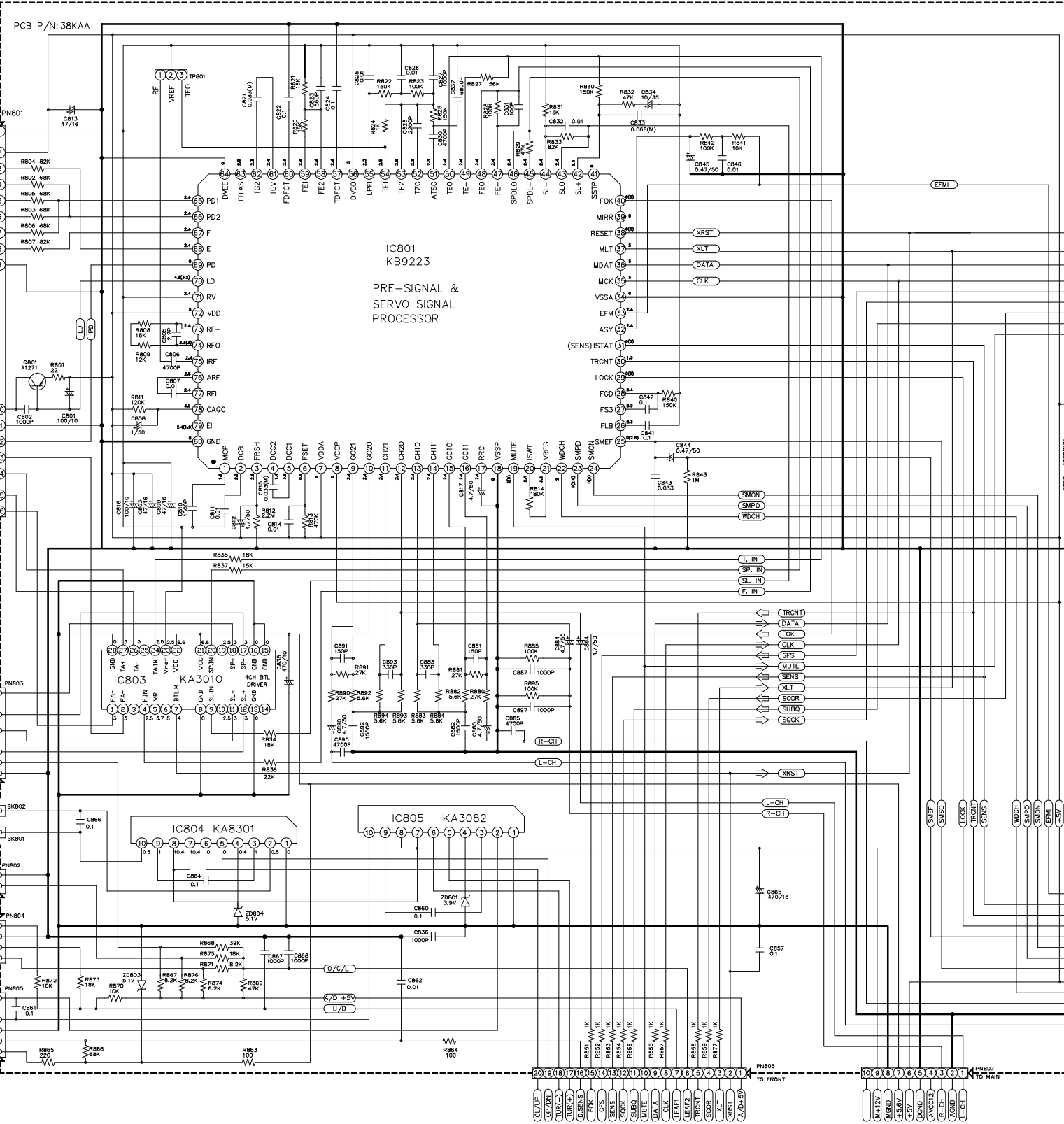
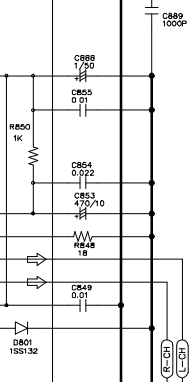
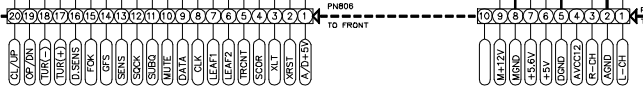
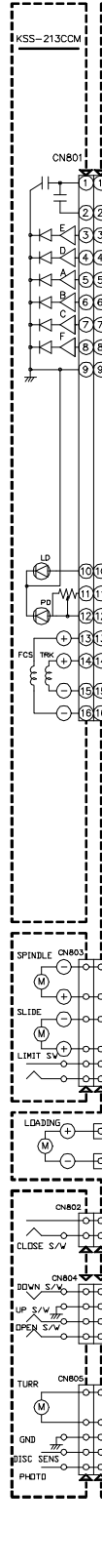
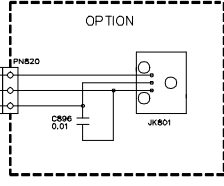
IC801  
KB9223  
PRE-SIGNAL &  
SERVO SIGNAL  
PROCESSOR

IC802  
KS9286  
DIGITAL SIGNAL  
PROCESSOR

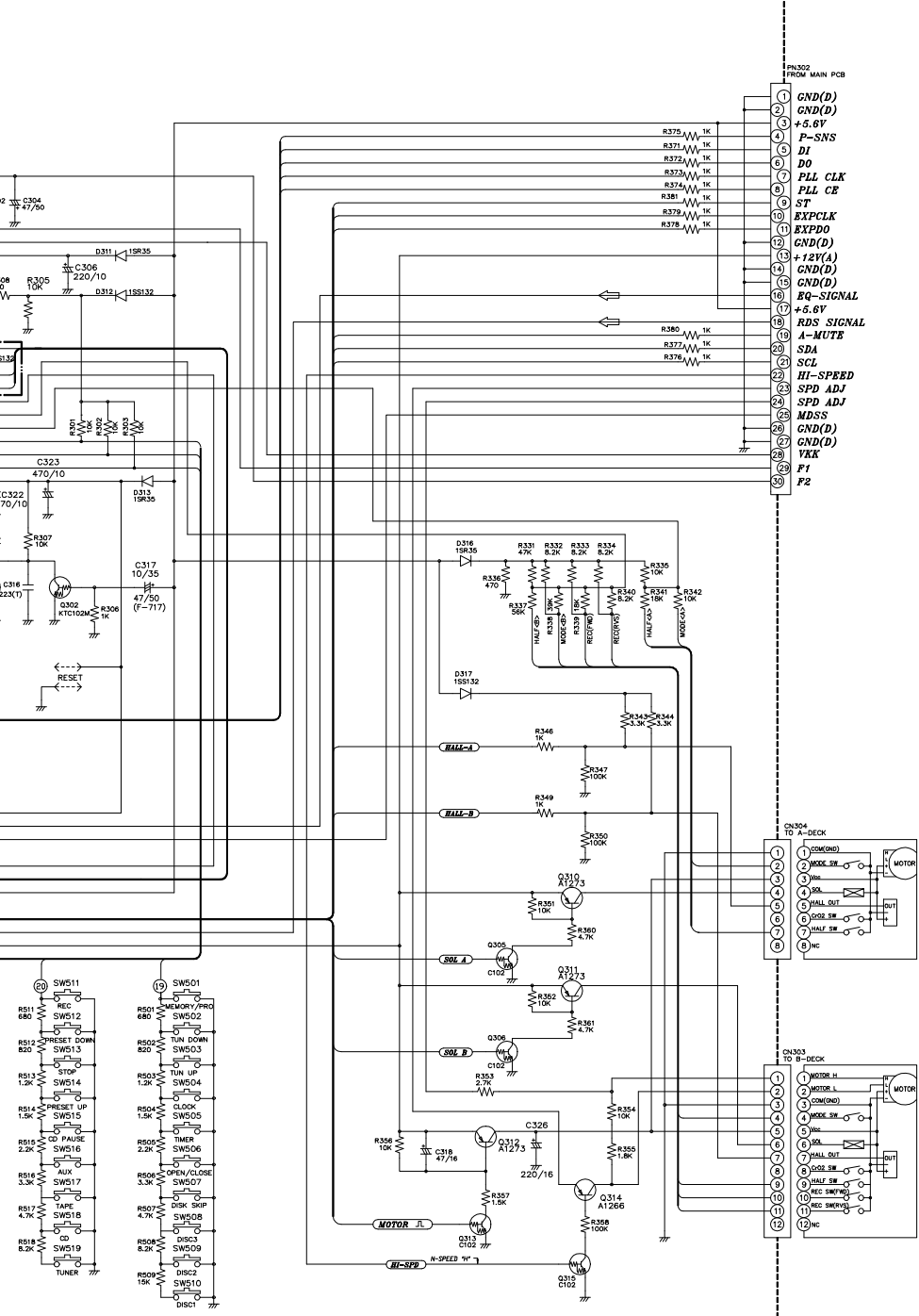
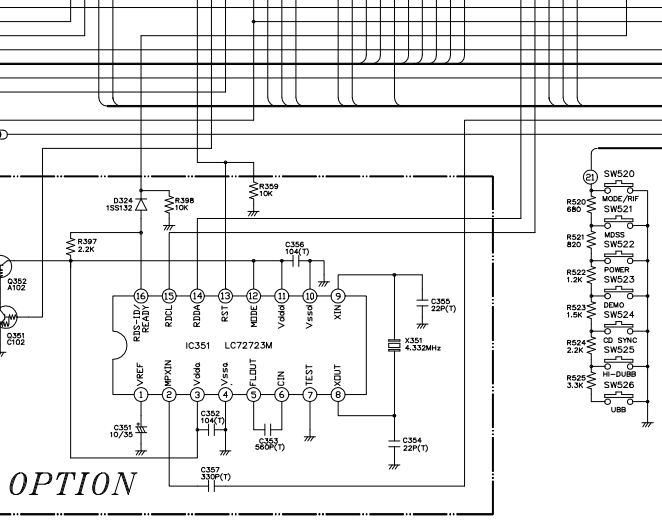
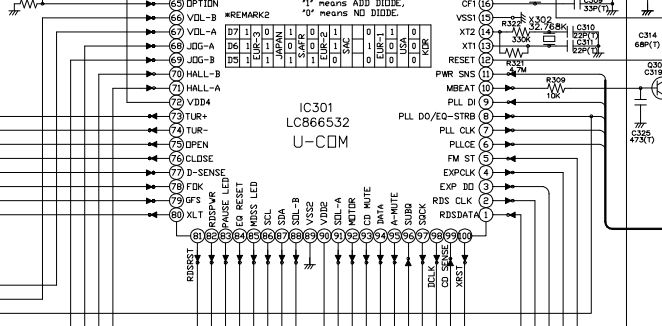
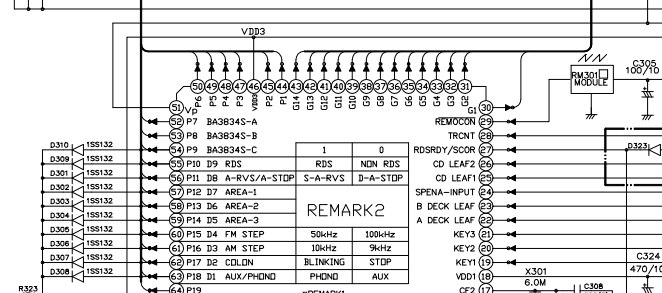
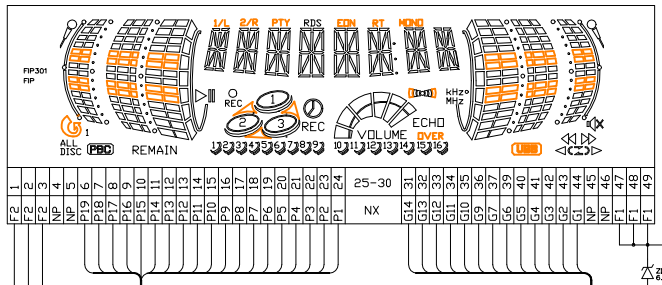
IC803  
KA3010  
4CH BTL  
DRIVER

IC804  
KA8301

IC805  
KA3082



CLOSE  
 OPEN  
 TUR+  
 D-SENS  
 FOK  
 GFS  
 SENS  
 SQCK  
 SUBQ  
 CD MUTE  
 DATA  
 CLK  
 LEAF1  
 LEAF2  
 TRCNT  
 SCOR  
 XLT  
 XRST  
 SV



\*RDS OPTION

<F-717 ONLY>

