

JK701
SPK JACK
JK705
SURR. JACK
SURR. OPTION

JK702
HEADPHONE

AC POWER CORD
AC 115/230V

+5.6V
TU/TA L
TU/TA R
+12V(A)
GND
CE
DO
CLK
DI
ST

AUX R
AUX L
REC L
REC R
TV/VCR R
TV/VCR L
DECK-B
DECK-A
HALL-B
HALL-A
P-CTRL
TU FUNC

EXP CLK1
EXP DO1
CD-LATC
12V-MTR

CD L
A-GND
CD R
A-GND
D-GND
+5.0V
+5.6V
GND (M)
+12V (M)
GND

HALL-A
HALL-B
SCL
SDA
TREBLE
TREBLE
ROUT
MOUT-L
MOUT-R
BIN-L
BIN-R
RIN-1
RIN-2
RIN-3
RIN-4
LIN-1
LIN-2
LIN-3
LIN-4
RXOUT
L-IN
R-IN
R-OUT
L-OUT

MIC-SEN

A-MUTE
P-CTRL

+12V

+5.6V

+12V(A)

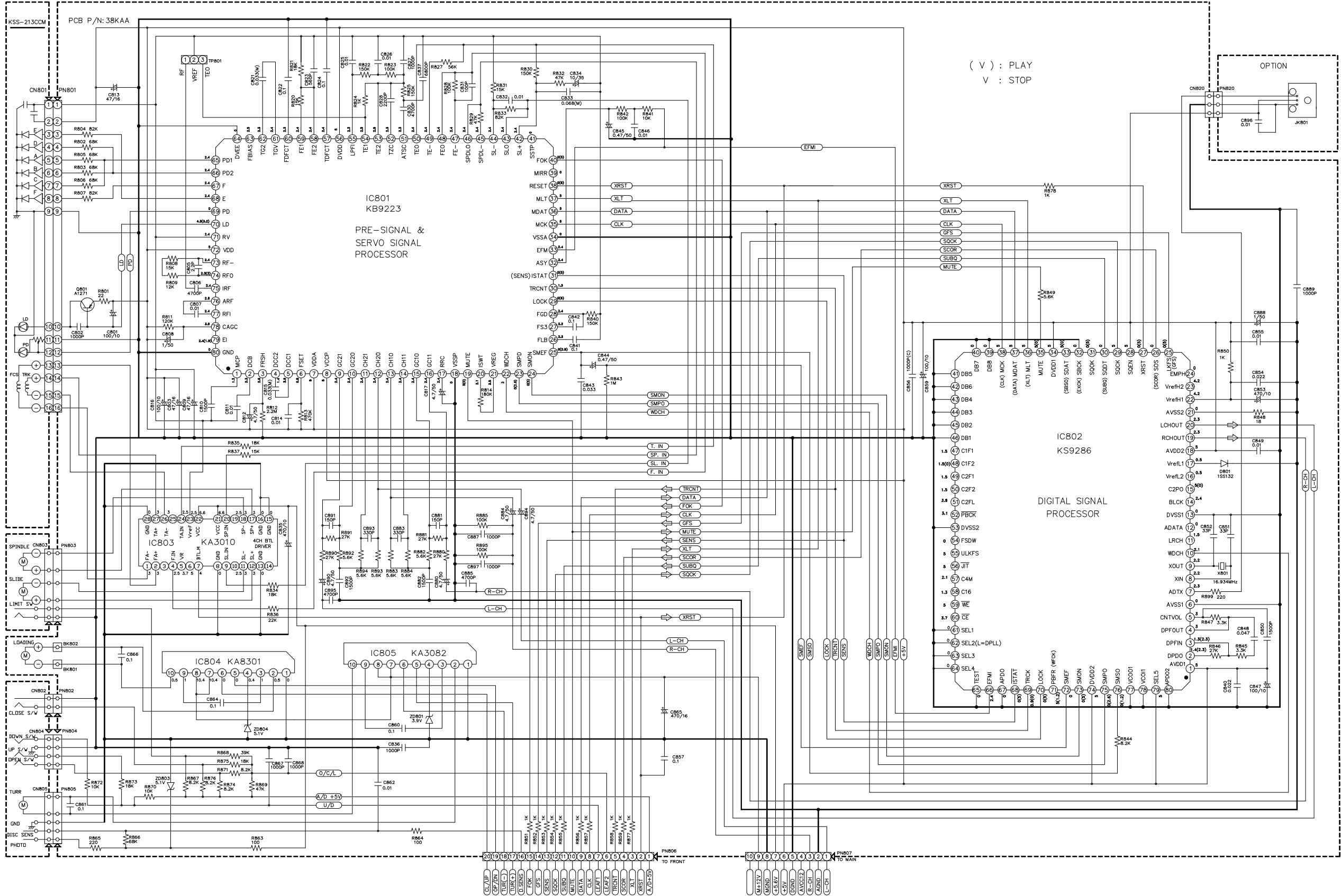
+12V(CD)

+5.6V

-36V
-41V

P-SNS
VKK

CN305
MAIN



(V) : PLAY
V : STOP

OPTION

IC801
KB9223
PRE-SIGNAL &
SERVO SIGNAL
PROCESSOR

IC802
KS9286
DIGITAL SIGNAL
PROCESSOR

IC803
KA3010
4CH BTL
DRIVER

IC804
KA8301

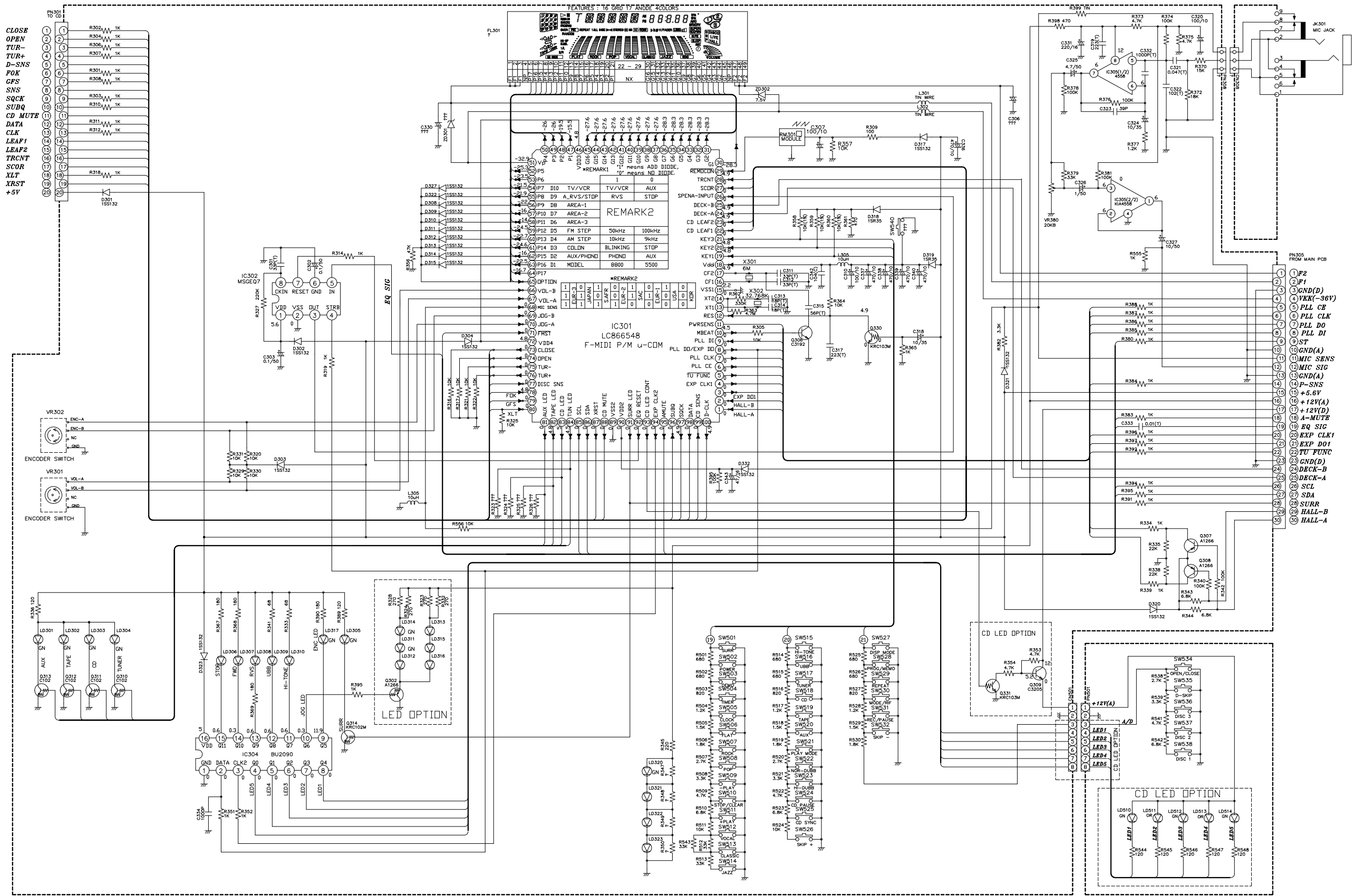
IC805
KA3082

- 20 CL/TP
- 19 OP/IN
- 18 TUR(C)
- 17 TUR(L)
- 16 G.SENS
- 15 G.FKS
- 14 G.FS
- 13 FOK
- 12 SENS
- 11 SENS
- 10 SENS
- 9 SENS
- 8 SENS
- 7 SENS
- 6 SENS
- 5 SENS
- 4 SENS
- 3 SENS
- 2 SENS
- 1 X-RST
- 0 A/D(+5V)

- 10 CL/TP
- 9 OP/IN
- 8 MENU
- 7 +5V
- 6 +5V
- 5 GND
- 4 GND
- 3 G-CH
- 2 R-CH
- 1 C-CH

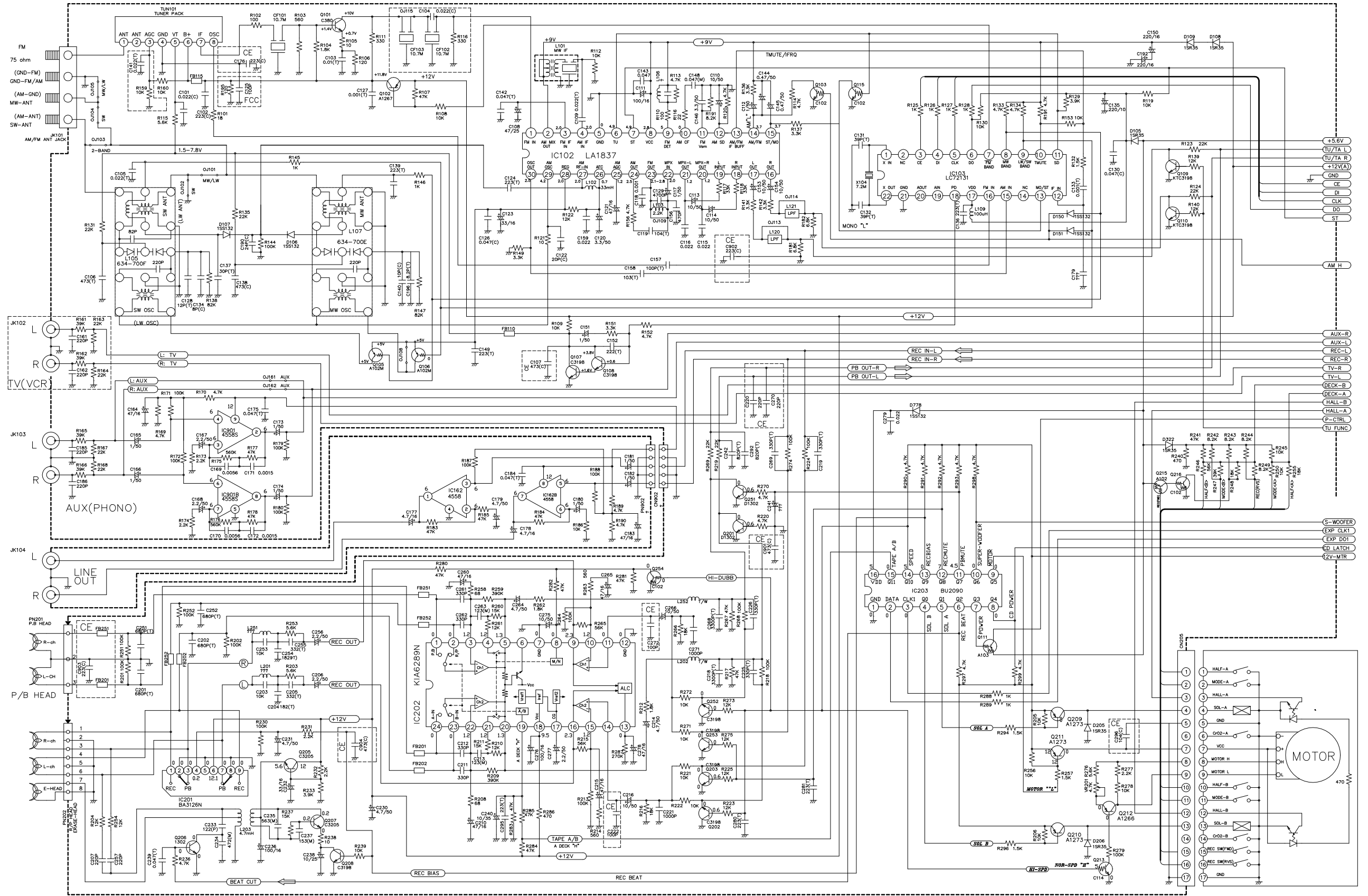
PN806
TO FRONT

PN807
TO MAIN



- CLOSE
- OPEN
- TUR-
- TUR+
- D-SNS
- FOK
- SNS
- SQCK
- SUBQ
- CD MUTE
- DATA
- CLK
- LEAF1
- LEAF2
- TRCNT
- SCOR
- XLT
- XRST
- +5V

- P2
- P1
- GND(D)
- VKK(-36V)
- PLL CE
- PLL CLK
- PLL DI
- PLL DO
- ST
- GND(A)
- MIC SENS
- GND(A)
- P-SNS
- +5.6V
- +12V(A)
- +12V(D)
- A-MUTE
- EQ SIG
- EXP CLK1
- EXP DO1
- TU FUNC
- GND(D)
- DECK-B
- DECK-A
- SCL
- SDA
- SURR
- HALL-B
- HALL-A



- +5.6V
- TU/TA L
- TU/TA R
- +12V(A)
- GND
- CE
- DI
- CLK
- DO
- ST

- AUX-R
- AUX-L
- REC-L
- REC-R
- TV-R
- TV-L
- DECK-B
- HALL-B
- HALL-A
- F-CTRL
- TU FUNC

- S-WOOFER
- EXP CLK1
- EXP DO1
- CD LATCH
- 12V-MTR

