

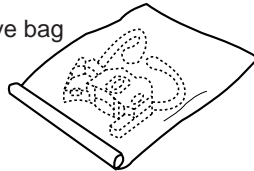
# SERVICING PRECAUTIONS

## NOTES REGARDING HANDLING OF THE PICK-UP

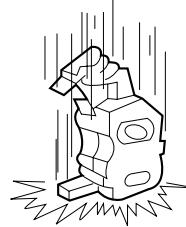
### 1. Notes for transport and storage

- 1) The pick-up should always be left in its conductive bag until immediately prior to use.
- 2) The pick-up should never be subjected to external pressure or impact.

Storage in conductive bag

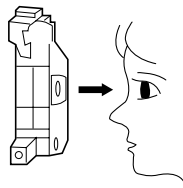


Drop impact



### 2. Repair notes

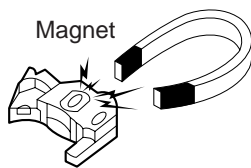
- 1) The pick-up incorporates a strong magnet, and so should never be brought close to magnetic materials.
- 2) The pick-up should always be handled correctly and carefully, taking care to avoid external pressure and impact. If it is subjected to strong pressure or impact, the result may be an operational malfunction and/or damage to the printed-circuit board.
- 3) Each and every pick-up is already individually adjusted to a high degree of precision, and for that reason the adjustment point and installation screws should absolutely never be touched.
- 4) Laser beams may damage the eyes!  
Absolutely never permit laser beams to enter the eyes!  
Also NEVER switch ON the power to the laser output part (lens, etc.) of the pick-up if it is damaged.



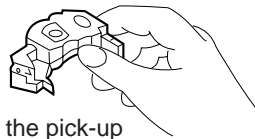
NEVER look directly at the laser beam, and don't let contact fingers or other exposed skin.

#### 5) Cleaning the lens surface

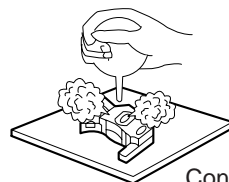
If there is dust on the lens surface, the dust should be cleaned away by using an air bush (such as used for camera lens). The lens is held by a delicate spring. When cleaning the lens surface, therefore, a cotton swab should be used, taking care not to distort this.



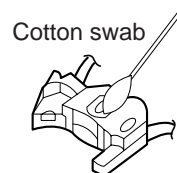
Magnet



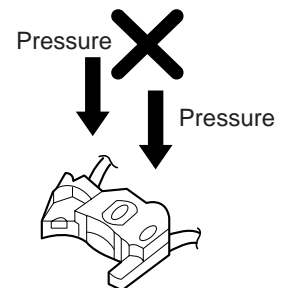
How to hold the pick-up



Conductive Sheet



Cotton swab



Pressure

Pressure

#### 6) Never attempt to disassemble the pick-up.

Spring by excess pressure. If the lens is extremely dirty, apply isopropyl alcohol to the cotton swab. (Do not use any other liquid cleaners, because they will damage the lens.) Take care not to use too much of this alcohol on the swab, and do not allow the alcohol to get inside the pick-up.

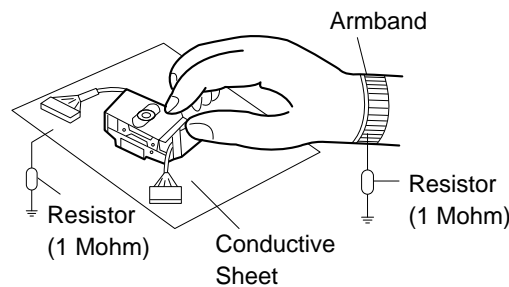
# NOTES REGARDING COMPACT DISC PLAYER REPAIRS

## 1. Preparations

- 1) Compact disc players incorporate a great many ICs as well as the pick-up (laser diode). These components are sensitive to, and easily affected by, static electricity. If such static electricity is high voltage, components can be damaged, and for that reason components should be handled with care.
- 2) The pick-up is composed of many optical components and other high-precision components. Care must be taken, therefore, to avoid repair or storage where the temperature of humidity is high, where strong magnetism is present, or where there is excessive dust.

## 2. Notes for repair

- 1) Before replacing a component part, first disconnect the power supply lead wire from the unit
- 2) All equipment, measuring instruments and tools must be grounded.
- 3) The workbench should be covered with a conductive sheet and grounded.  
When removing the laser pick-up from its conductive bag, do not place the pick-up on the bag. (This is because there is the possibility of damage by static electricity.)
- 4) To prevent AC leakage, the metal part of the soldering iron should be grounded.
- 5) Workers should be grounded by an armband (1M $\Omega$ )
- 6) Care should be taken not to permit the laser pick-up to come in contact with clothing, in order to prevent static electricity changes in the clothing to escape from the armband.
- 7) The laser beam from the pick-up should NEVER be directly facing the eyes or bare skin.



# ESD PRECAUTIONS

## Electrostatically Sensitive Devices (ESD)

Some semiconductor (solid state) devices can be damaged easily by static electricity. Such components commonly are called Electrostatically Sensitive Devices (ESD). Examples of typical ESD devices are integrated circuits and some field-effect transistors and semiconductor chip components. The following techniques should be used to help reduce the incidence of component damage caused by static electricity.

1. Immediately before handling any semiconductor component or semiconductor-equipped assembly, drain off any electrostatic charge on your body by touching a known earth ground. Alternatively, obtain and wear a commercially available discharging wrist strap device, which should be removed for potential shock reasons prior to applying power to the unit under test.
2. After removing an electrical assembly equipped with ESD devices, place the assembly on a conductive surface such as aluminum foil, to prevent electrostatic charge buildup or exposure of the assembly.
3. Use only a grounded-tip soldering iron to solder or unsolder ESD devices.
4. Use only an anti-static solder removal device. Some solder removal devices not classified as "anti-static" can generate electrical charges sufficient to damage ESD devices.
5. Do not use freon-propelled chemicals. These can generate electrical charges sufficient to damage ESD devices.
6. Do not remove a replacement ESD device from its protective package until immediately before you are ready to install it. (Most replacement ESD devices are packaged with leads electrically shorted together by conductive foam, aluminum foil or comparable conductive materials).
7. Immediately before removing the protective material from the leads of a replacement ESD device, touch the protective material to the chassis or circuit assembly into which the device will be installed.

**CAUTION : BE SURE NO POWER IS APPLIED TO THE CHASSIS OR CIRCUIT, AND OBSERVE ALL OTHER SAFETY PRECAUTIONS.**

8. Minimize bodily motions when handling unpackaged replacement ESD devices. (Otherwise harmless motion such as the brushing together of your clothes fabric or the lifting of your foot from a carpeted floor can generate static electricity sufficient to damage an ESD device).

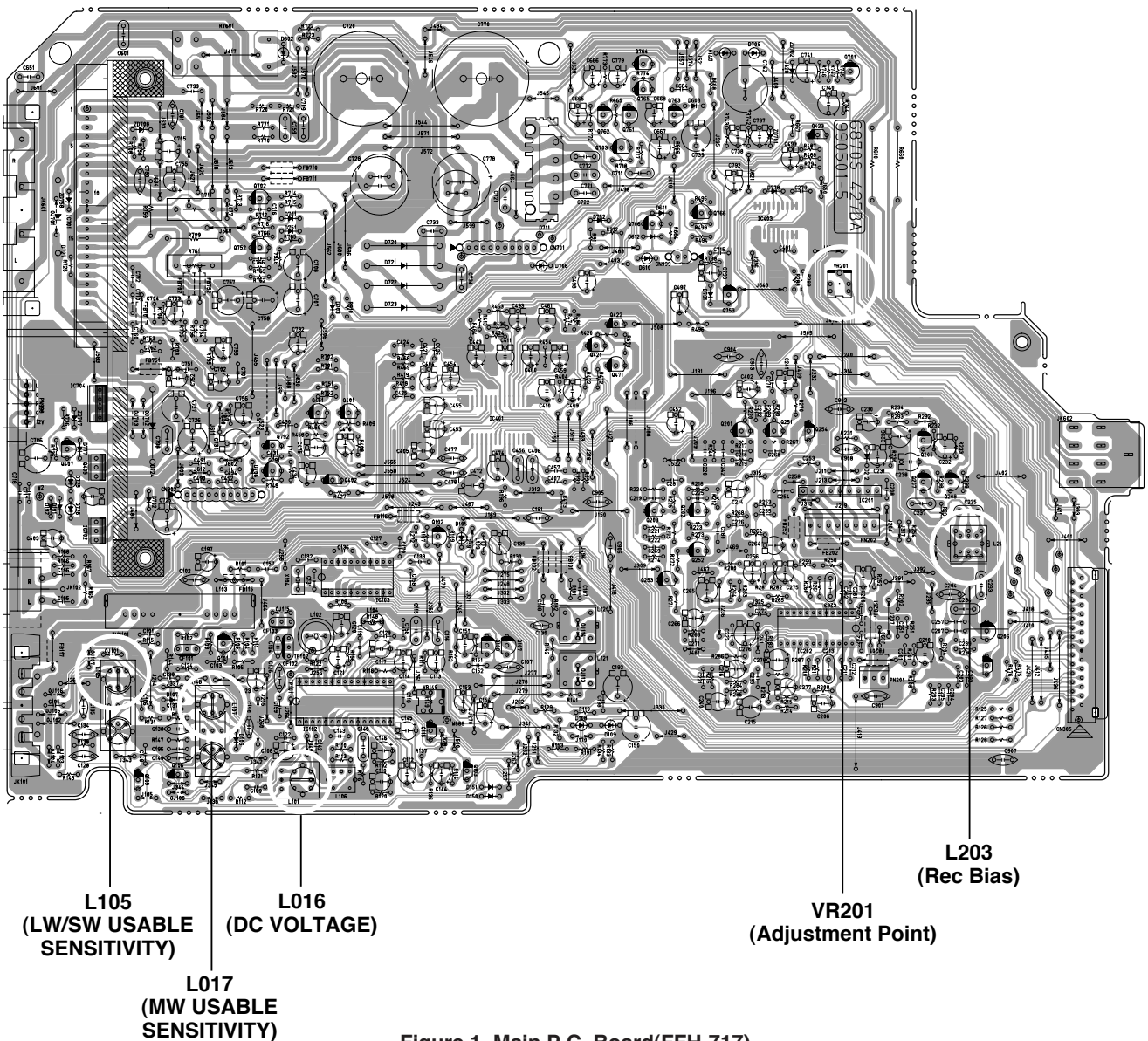
# ADJUSTMENTS

This set has been aligned at the factory and normally will not require further adjustment. As a result, it is not recommended that any attempt is made to modificate any circuit. If any parts are replaced or if anyone tampers with the adjustment, realignment may be necessary.

## IMPORTANT

1. Check Power-source voltage.
2. Set the function switch to band being aligned.
3. Turn volume control to minimum unless otherwise noted.
4. Connect low side of signal source and output indicator to chassis ground unless otherwise specified.
5. Keep the signal input as low as possible to avoid AGC and AC action.

## TEST & ADJUSTMENT POINT



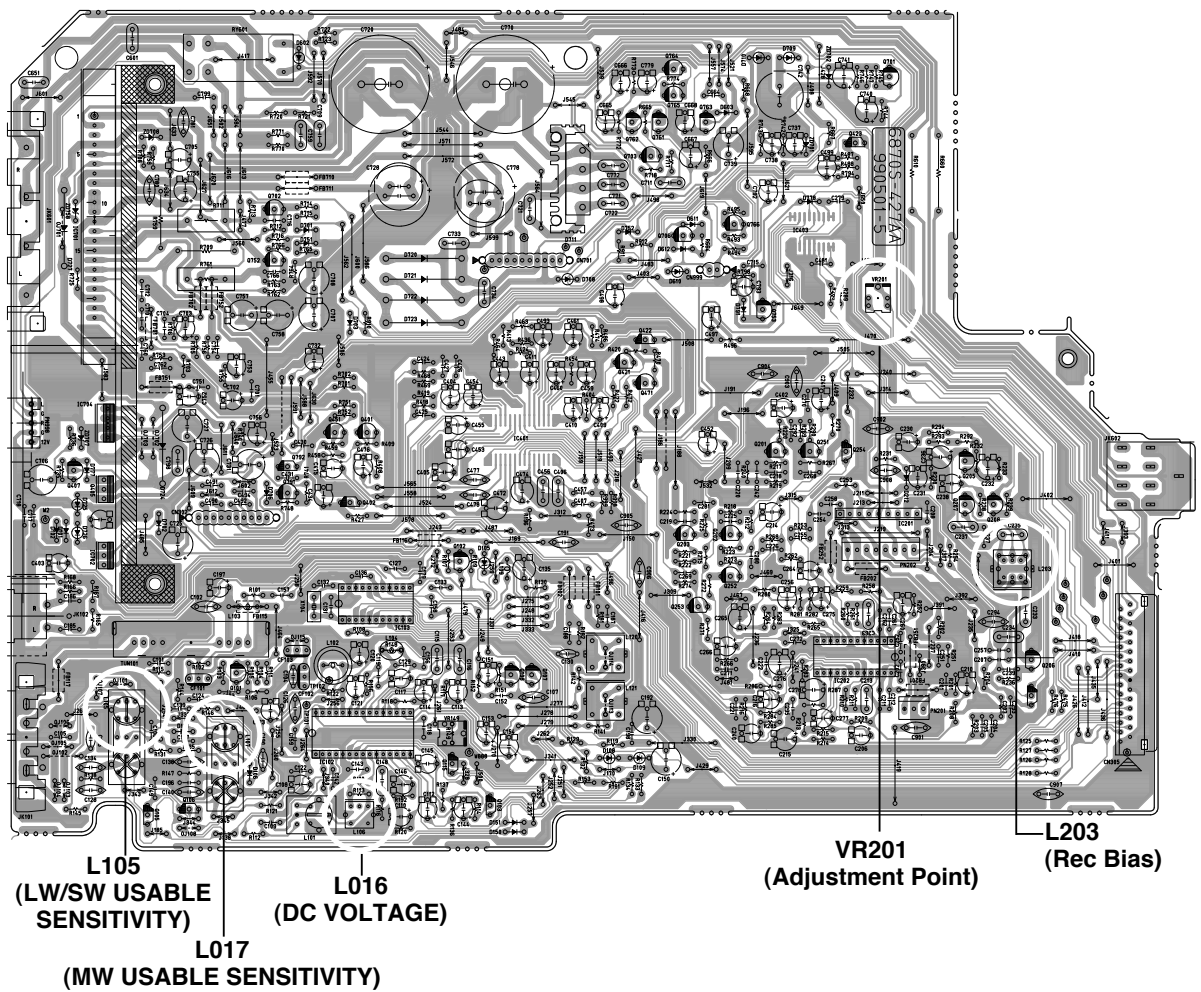


Figure 2. Main P.C. Board(FFH-818)

## TAPE DECK ADJUSTMENT

### 1. AZIMUTH ADJUSTMENT

| Deck Mode       | Test Tape | Test Point  | Adjustment                  | Adjust for |
|-----------------|-----------|-------------|-----------------------------|------------|
| A Deck Playback | MTT-114   | Speaker Out | DECK Screw<br>Azimuth Screw | Maximum    |
| B Deck Playback | MTT-114   | Speaker Out | Azimuth Screw               | Maximum    |

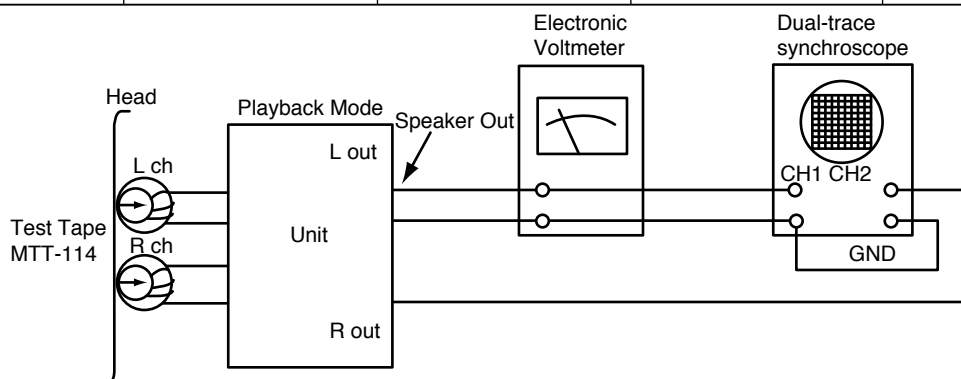


Figure 3. Azimuth Adjustment Connection Diagram

## 2. MOTOR SPEED ADJUSTMENT

| Deck Mode    | Test Tape | Test Point  | Adjustment | Adjust for       | Remark                |
|--------------|-----------|-------------|------------|------------------|-----------------------|
| Normal Speed | MTT-111   | Speaker Out | VR201      | 3kHz $\pm$ 1%    | A Deck                |
| HI-Speed     | MTT-111   | Speaker Out |            | more than 5.4kHz | HI-Speed Dubbing Mode |

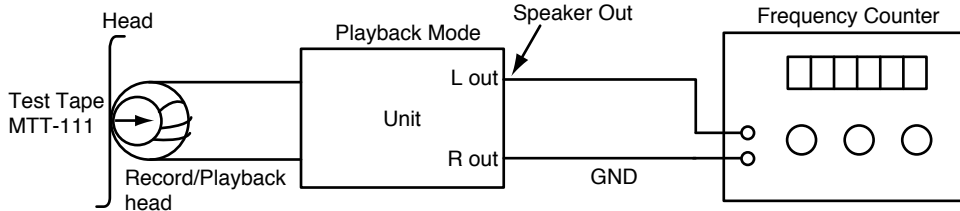


Figure 4. Motor Speed Adjustment Connection Diagram

## 3. RECORD BIAS ADJUSTMENT

| Deck Mode | Test Tape | Test Point             | Adjustment | Adjust for       |
|-----------|-----------|------------------------|------------|------------------|
| Rec/Pause | MTT-5511  | ERASE HEAD WIRE(PN202) | L203       | 85kHz $\pm$ 5kHz |

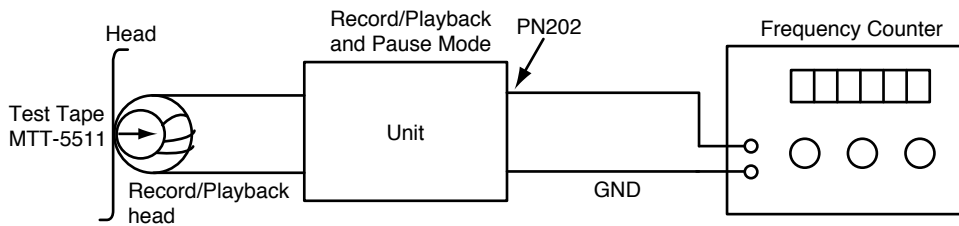


Figure 5. Record Bias Adjustment Connection Diagram

## 4. TUNER ADJUSTMENT

| Item                     | Test Point  | Adjustment | Adjust for    |
|--------------------------|-------------|------------|---------------|
| DC Voltage               | Checker Pin | L106       | 0V $\pm$ 50mV |
| MW Usable Sensitivity    | Speaker Out | L107       | Maximum       |
| LW/SW Usable Sensitivity | Speaker Out | L105       | Maximum       |

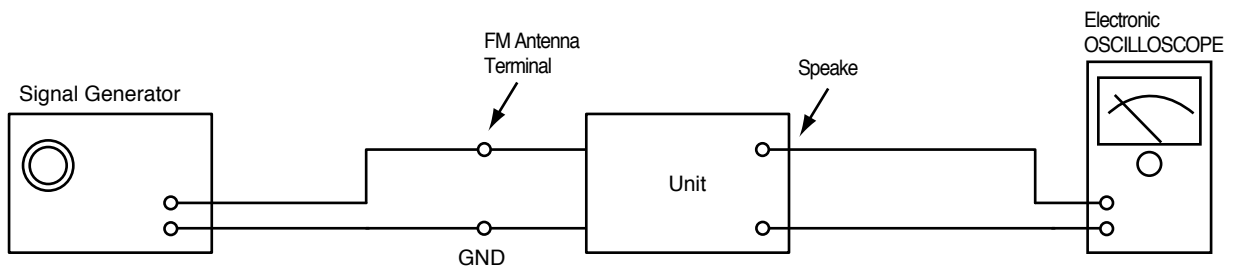
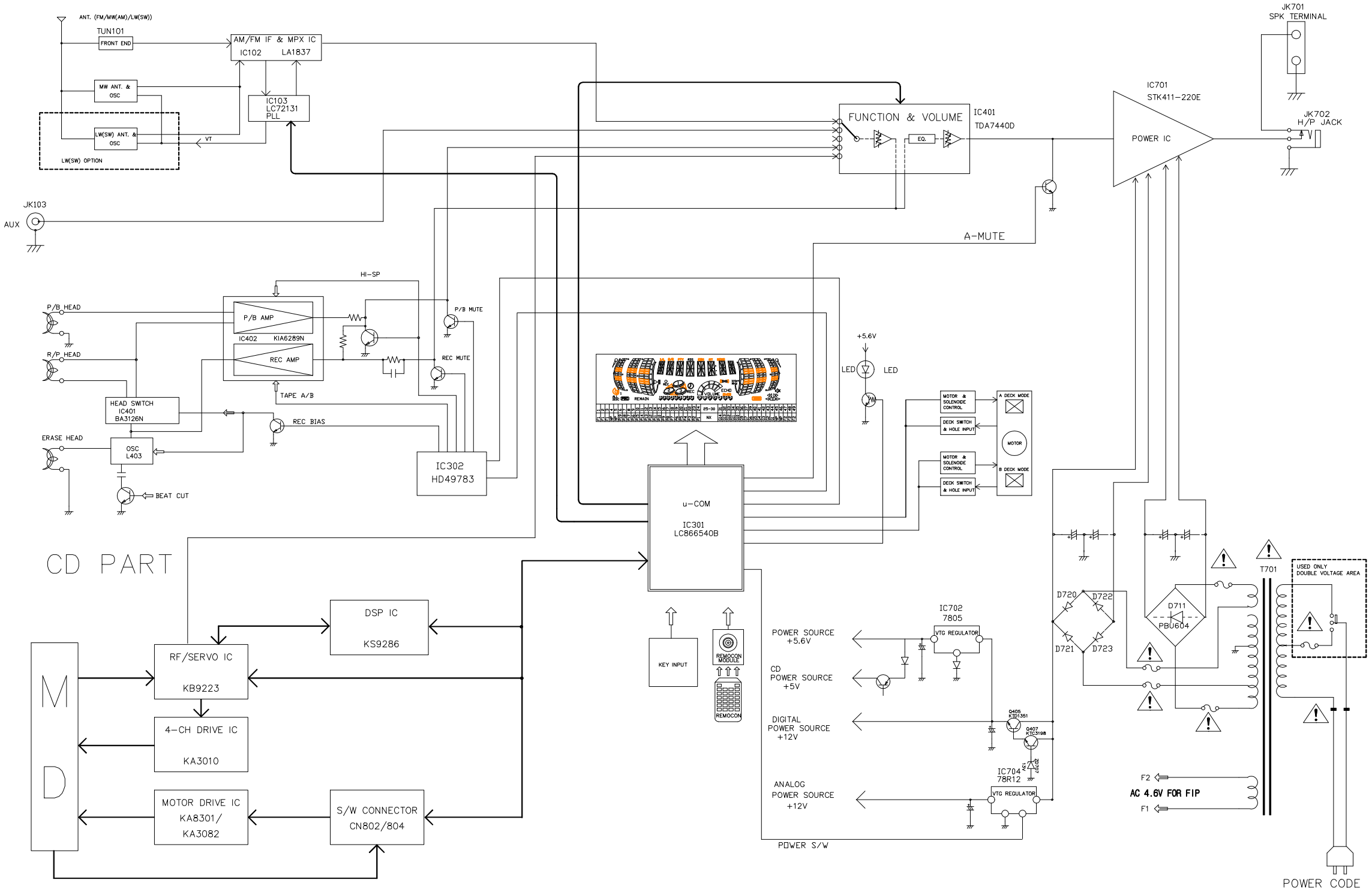


Figure 6. Tuner(S curve) Adjustment Connection Diagram



CD PART

AC 4.6V FOR FIP

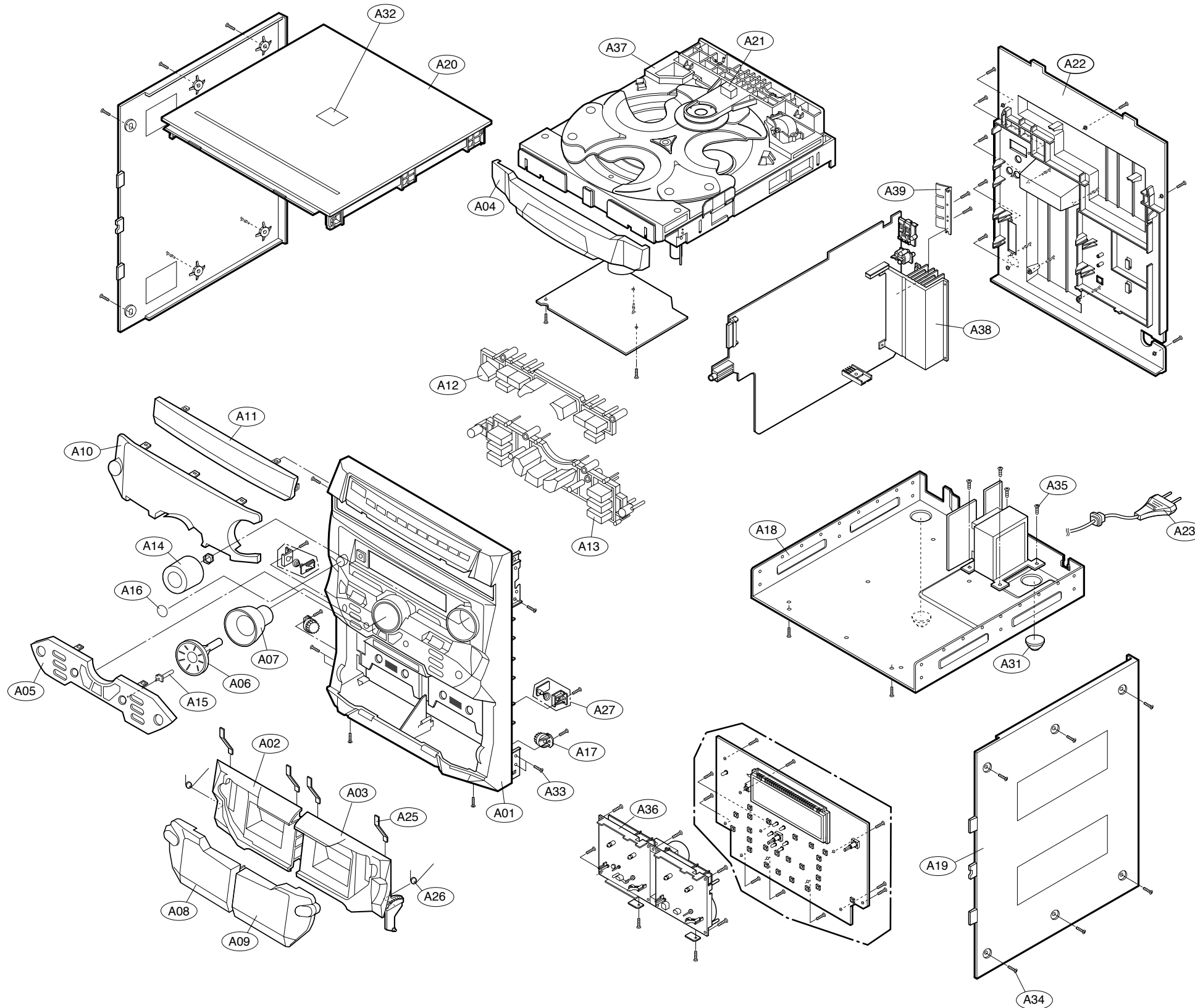
POWER CODE





# EXPLODED VIEW/PARTS LIST

## CABINET

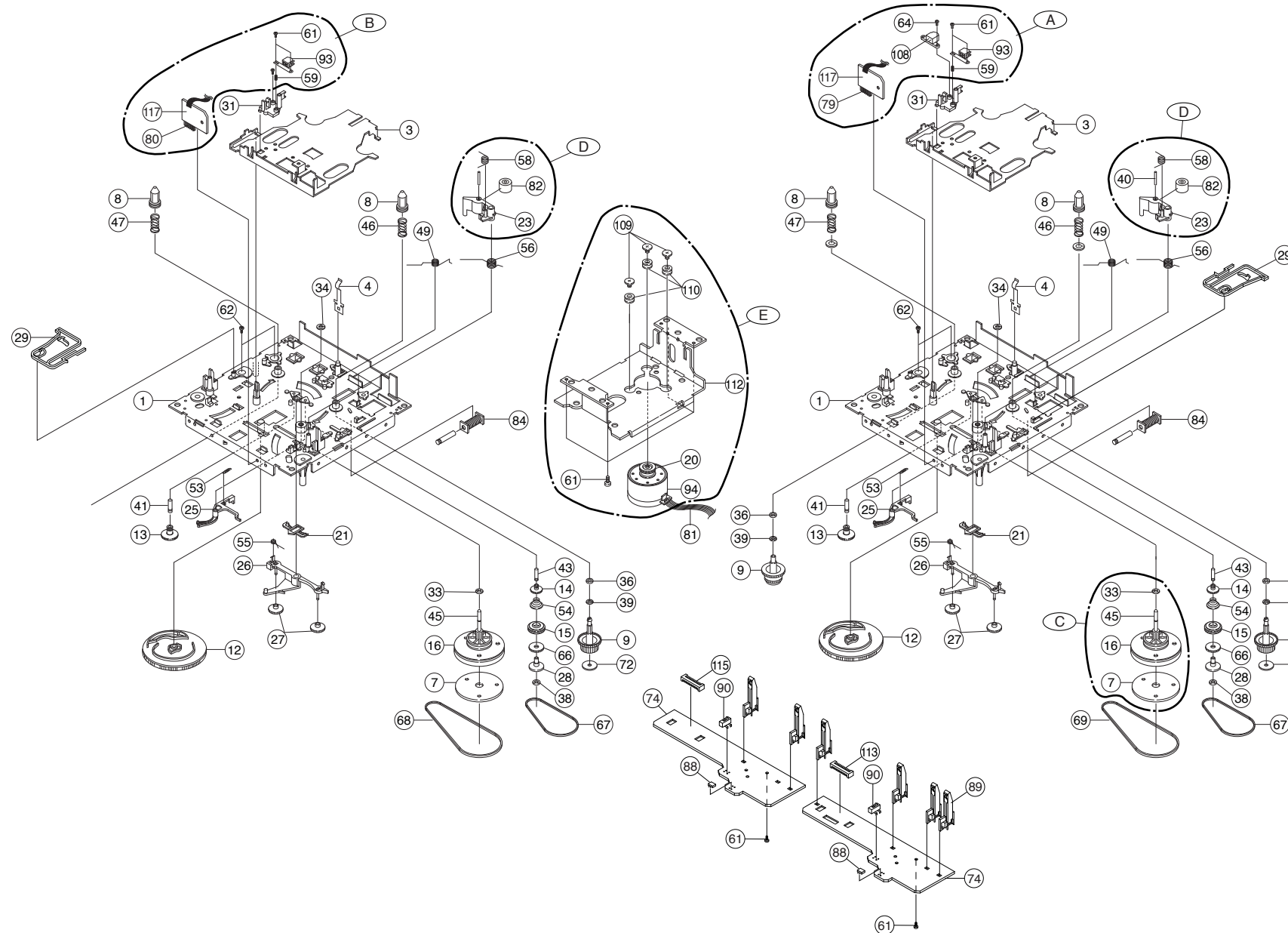


| S | LOCA.NO. | PART NO. (GS)   | DESCRIPTION     | SPECIFICATION              | V C |
|---|----------|-----------------|-----------------|----------------------------|-----|
|   | A01      | 3720SCM038A(*)  | PANEL           | FRONT                      | HZ  |
|   | A02      | 3580SCA346A     | DOOR            | CST LEFT                   | HZ  |
|   | A01      | 3720SCM038A     | PANEL           | FRONT                      | HZ  |
|   | A02      | 3580SCA346A     | DOOR            | CST                        | HZ  |
|   | A03      | 3580SCA347A     | DOOR            | CST RIGHT                  | HZ  |
|   | A04      | 3580SCC878B     | DOOR            | CD                         | HZ  |
|   | A05      | 3550SC0008C     | COVER           | FRONT                      | HZ  |
|   | A06      | 4940SC0053A     | KNOB            | JOG                        | HZ  |
|   | A07      | 3680SC0004A     | LENS            | JOG                        | HZ  |
|   | A08      | 3790SCM056C( *) | WINDOW          | CST-L(FOR FFH-717)         | HZ  |
|   |          | 3790SCM056E(*)  | WINDOW          | CST-L(FOR FFH-818)         | HZ  |
|   | A09      | 3790SCM057A     | WINDOW          | CST-R                      | HZ  |
|   | A10      | 3790SCM058A     | WINDOW          | AMP                        | HZ  |
|   | A11      | 3790SCM059A     | WINDOW          | CD                         | HZ  |
|   | A12      | 4940SC0051A     | KNOB            | TUNING                     | HZ  |
|   | A13      | 4940SC0052B     | KNOB            | PLAY & FUNC                | HZ  |
|   | A14      | 4940SC0055A     | KNOB            | VOL                        | HZ  |
|   | A15      | 3680SC0005A     | LENS            | SET                        | HZ  |
|   | A16      | 3508SB0001A     | DECORATION      | HIT-TONE                   |     |
|   | A17      | 4901SK0001C     | DAMPER ASSY     |                            | HZ  |
|   | A18      | 3140S-P907A     | CHASSIS         | MAIN                       | HZ  |
|   | A19      | 3720S-0036D     | PANEL           | SIDE                       | HZ  |
|   | A20      | 3090S-0003F     | CABINET         | TOP                        | HZ  |
|   | A21      | 447-938K        | CUSHION         | CUSHION RUBBER(MTR-400/50) | HZ  |
|   | A22      | 3720SCM409A(*)  | PANEL           | BACK(FOR FFH-717)          | HZ  |
|   |          | 3720SCM403A(*)  | PANEL           | BACK(FOR FFH-818)          | HZ  |
|   | A23      | 3410SCE200A     | POWER CORD      | CE-503PLUG CHAUS CE 2000M  | HZ  |
|   | A24      | 332N218E        | COIL, ANTENNA   | KS951212-01 KWANGSUNG      | HZ  |
|   | A25      | 442-577B        | SPRING          | SPRING CST-PACK(H=7.5)     |     |
|   | A26      | 442-085A        | SPRING          | SPRING-DOOR                |     |
|   | A27      | 384-535A        | GUIDE           | EJECT AY                   |     |
|   | A28      | 4930S-0536A     | HOLDER          | HOLDER GUIDE               |     |
|   | A29      | 442-780A        | SPRING          |                            |     |
|   | A30      | 384-014A        | GUIDE           | EJECTOR                    |     |
|   | A31      | 265-013B        | FOOT            | RUBBER(NBR)                |     |
|   | A32      | 246-444K        | DECORATION      | PLATE FFHKL588V SILVER     | HZ  |
|   | A33      | 353-025T        | SCREW           | TAPTITE 3X10.5 FZMY        | HZ  |
|   | A34      | 353-025C        | SCREW           | TAPTITE 3X10 FBK           | HZ  |
|   | A35      | 1TRL0402418     | BRAIZER HEAD TA | D 4.0 L 8.0 MSWR3/FZY      | HZ  |
|   | A36      | 3730S-G005B     | DECK MECHANISM  | ADR2400FF SAMSUNG          | HZ  |
|   | A37      | 4405SCE002A     | MECHANISM ASSY  | CDM-H1303 SHIN HEUNG CD    | HZ  |
|   | A38      | 4920S-E007A     | HEAT SINK       | MAIN                       | HZ  |
|   | A39      | 4810S-0901A     | BRACKET         | IC                         | HZ  |

f: V C Shows the origin of local parts(HZ:LGEHZ)

f: u : Refer to the SPPL (Service Parts Price List).

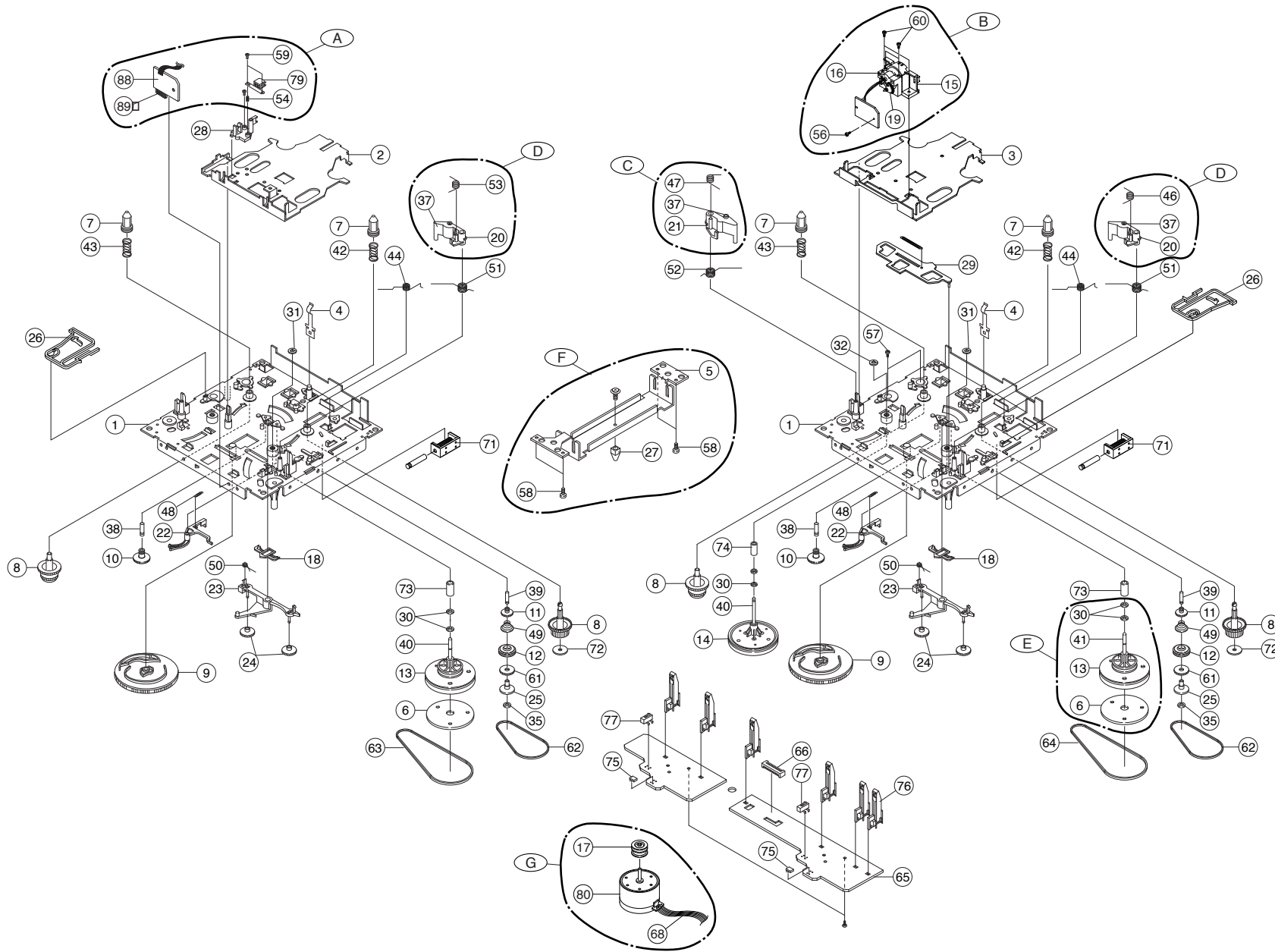
# TAPE DECK MECHANISM:AUTO STOP DECK(OPTIONAL)



NSP: Not Serviceable Part

| REF.NO. | PART NAME             | PART NO.    | QTY | REF.NO. | PART NAME            | PART NO.    | QTY |
|---------|-----------------------|-------------|-----|---------|----------------------|-------------|-----|
| -       | DECK MECHANISM        | 6730S-G005B |     | 62      | (MOTOR)PH M2 6f15    | NSP         | 0   |
| 1       | CHASSIS MAIN          | NSP         | 2   | 63      | (BAKT)Tapping M2f1#4 | NSP         | 0   |
| 2       | BASE HEAD C           | NSP         | 0   | 64      | S/C AZIMUTH(M2f1#8)  | NSP         | 2   |
| 3       | BASE HEAD D           | NSP         | 2   | 65      | (AZIMUTH)M2f1#5.7    | NSP         | 0   |
| 4       | PLATE SPRING          | NSP         | 2   | 66      | FELT C               | NSP         | 2   |
| 5       | BARK MOTOR 110        | NSP         | 0   | 67      | BELT SUB(34.7)       | NSP         | 2   |
| 6       | BARK MOTOR 128        | NSP         | 0   | 68      | BELT 110 54.3        | 6768SCBS03B | 1   |
| 7       | PLATE PLYWHEEL F      | NSP         | 2   | 69      | BELT 110 76.2        | 6768SCBS03C | 1   |
| 8       | CHIP REEL             | NSP         | 4   | 70      | BELT 128 54.3        | NSP         | 0   |
| 9       | BASE REEL             | NSP         | 4   | 71      | BELT 128 80.8        | NSP         | 0   |
| 10      | BRACKET HEAD          | NSP         | 0   | 72      | BELT SR 66.3         | NSP         | 0   |
| 11      | GEAR HEAD C           | NSP         | 0   | 73      | BELT TR 66.3         | NSP         | 0   |
| 12      | GEAR CAM              | NSP         | 2   | 74      | PCB CTRL SINGLE      | NSP         | 2   |
| 13      | GEAR IDLER            | NSP         | 2   | 75      | PCB CTRL DOUBLE      | NSP         | 0   |
| 14      | BUSH C                | NSP         | 2   | 76      | CONN R/P(16P)        | NSP         | 0   |
| 15      | PULLEY C              | NSP         | 2   | 77      | CONN R/P(13P)        | NSP         | 0   |
| 16      | PULLEY F/W F          | NSP         | 2   | 78      | CONN PB(10P)         | NSP         | 0   |
| 17      | PULLER F/W R          | NSP         | 0   | 79      | CONN HEAD(6P)        | NSP         | 1   |
| 18      | BRKT HEAD B           | NSP         | 0   | 80      | CONN HEAD(3P)        | NSP         | 1   |
| 19      | GEAR HEAD B           | NSP         | 0   | 81      | WIRE MOTOR(4P-80)    | NSP         | 1   |
| 20      | PULLEY M/T YDW        | NSP         | 1   | 82      | ROLLER PINCH         | 6768SCRS01A | 2   |
| 21      | LEVER BRAKE           | NSP         | 2   | 83      | WEDGE                | NSP         | 2   |
| 22      | GEAR DIR              | NSP         | 0   | 84      | SOLENOID(24)         | 6768SCVS02A | 2   |
| 23      | ARM PINCH F           | 6768SCAS03A | 2   | 85      | REFLECTOR            | NSP         | 2   |
| 24      | ARM PINCH R           | NSP         | 0   | 86      | METAL FG F(CAPS)     | NSP         | 2   |
| 25      | ARM CAM LOCK          | NSP         | 2   | 87      | METAL FG R(CAPS)     | NSP         | 0   |
| 26      | ARM RF                | NSP         | 2   | 88      | PHOTO SENSOR         | NSP         | 2   |
| 27      | GEAR RF               | NSP         | 4   | 89      | SETECT(MXS00220)     | NSP         | 5   |
| 28      | CAP C                 | NSP         | 2   | 90      | SWITCH MODE          | 6768SCVS01B | 2   |
| 29      | LEVER EJECT           | 6768SCDS03A | 2   | 91      | HEAD R/P             | NSP         | 0   |
| 30      | GUIDE MOTOR           | NSP         | 0   | 92      | HEAD P/B             | NSP         | 0   |
| 31      | TAPE GUIDE            | NSP         | 2   | 93      | HEAD 1-WAY           | 6768SCHS01A | 2   |
| 32      | LEVER AC              | NSP         | 0   | 94      | MOTOR(YD2BH)         | 6768SCQS01A | 1   |
| 33      | W/S(2.3f1#3.5f1#0.25) | NSP         | 2   | 95      | WIRE HEAD(BRN)       | NSP         | 0   |
| 34      | W/S(1.8f1#4f1#0.5)    | NSP         | 2   | 96      | WIRE HEAD(BLU)       | NSP         | 0   |
| 35      | W/S(1.6f1#3.5f1#0.5)  | NSP         | 0   | 97      | WIRE HEAD(GRN0)      | NSP         | 0   |
| 36      | W/S(3.6f1#6f1#0.5)    | NSP         | 4   | 98      | WIRE HEAD(ORA)       | NSP         | 0   |
| 37      | W/S(6f1#11f1#0.25)    | NSP         | 0   | 99      | WIRE HEAD(RED)       | NSP         | 0   |
| 38      | W/S(1.2f1#3.2f1#0.25) | NSP         | 2   | 100     | WIRE HEAD(WHT)       | NSP         | 0   |
| 39      | W/S(4.6f1#7f1#0.13)   | NSP         | 4   | 101     | WIRE HEAD(YEL)       | NSP         | 0   |
| 40      | SHAFT PINCH           | NSP         | 2   | 102     |                      |             |     |
| 41      | SHAFT IDLER           | NSP         | 2   | 103     |                      |             |     |
| 42      | PIN AZIMUTH           | NSP         | 0   | 104     | DIODE                | NSP         | 2   |
| 43      | SHAFT RF              | NSP         | 2   | 105     | RESISTOR             | NSP         | 2   |
| 44      | SHAFT F/W R           | NSP         | 0   | 106     | SHAFT SUB            | NSP         | 0   |
| 45      | SHAFT F/W F           | NSP         | 2   | 107     | M/T GUIDE            | NSP         | 0   |
| 46      | S/P B.T(F)            | NSP         | 2   | 108     | HEAD ERASE           | 6768SCHS03A | 1   |
| 47      | S/P B.T(R)            | NSP         | 2   | 109     | (M/T)MACH M2.6 4     | NSP         | 3   |
| 48      | S/P LEVER AC          | NSP         | 0   | 110     | CUSHION MOTOR        | NSP         | 3   |
| 49      | S/P BASE HEAD         | NSP         | 2   | 111     | BRKT MOTOR D2        | NSP         | 0   |
| 50      | S/P DIR               | NSP         | 0   | 112     | BRKT MOTOR D1        | NSP         | 1   |
| 51      | S/P PINCH(F)          | 6768SCSS02A | 0   | 113     | CONN R/P(12P)        | NSP         | 1   |
| 52      | S/P PINCH(R)          | NSP         | 0   | 114     | CONN R/P(11P)        | NSP         | 0   |
| 53      | S/P ARM CAM LOCK      | NSP         | 2   | 115     | CONN PB(8P)          | NSP         | 1   |
| 54      | S/P C                 | NSP         | 2   | 116     | PH M2 9(E-HEAD)      | NSP         | 1   |
| 55      | S/P ARM RF            | NSP         | 2   | 117     | PCB HEAD             | NSP         | 2   |
| 56      | S/P P/R(F)            | NSP         | 2   | E       | HEAD ASSY RP5        | 6768SCES03A |     |
| 57      | S/P P/R(R)            | NSP         | 0   | E       | HEAD ASSY RP6        | 6768SCES03B |     |
| 58      | S/P PINCH 1-WAY       | NSP         | 2   | E       | Pulley F/W F ASSY    | 6268SCJS02A |     |
| 59      | S/P AZIMUTH           | NSP         | 2   | E       | ARM Pinch F ASSY     | 6768SCAS01B |     |
| 60      | (HEAD)PH M1 6f1#8     | NSP         | 0   | E       | MOTOR ASSY           | 6768SCOS01A |     |
| 61      | (NORMAL)BH M2f1#4     | NSP         | 6   |         |                      |             |     |

# TAPE DECK MECHANISM:AUTO REVERSE DECK(OPTIONAL)

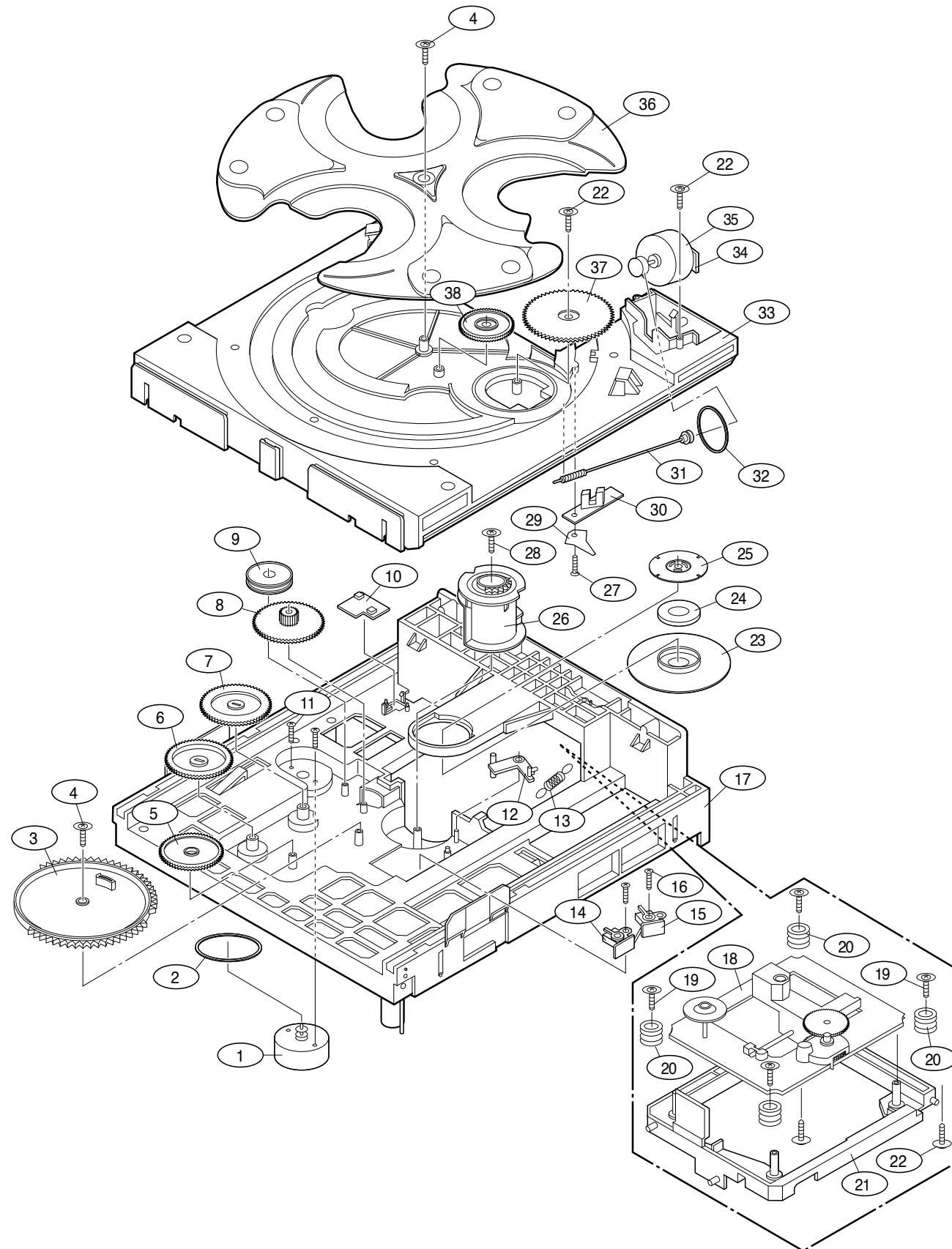


NSP: Not Serviceable Part

| REF.NO. | PART NAME         | PART NO.    | Q'TY | REF.NO. | PART NAME           | PART NO.    | Q'TY |
|---------|-------------------|-------------|------|---------|---------------------|-------------|------|
| -       | DECK MECHANISM    | 6730S-G005A |      | 49      | SPRING C            | NSP         | 2    |
| 1       | CHASSIS MAIN      | NSP         | 2    | 50      | SPRING ARM RF       | NSP         | 2    |
| 2       | BASE HEAD C       | NSP         | 1    | 51      | SPRING P/RETURE(F)  | NSP         | 2    |
| 3       | BASE HEAD D       | NSP         | 1    | 52      | SPRING P/RETURN(R)  | NSP         | 1    |
| 4       | PLATE SPRING      | NSP         | 2    | 53      | SPRING PINCH 1-WAY  | NSP         | 1    |
| 5       | BRKT MOTOR 110    | NSP         | 1    | 54      | SPRING AZIMUTH      | NSP         | 1    |
| 6       | PLATE FLYWHEEL F  | NSP         | 2    | 55      | PH M1.6*8           | NSP         | 2    |
| 7       | CHIP REEL         | NSP         | 4    | 56      | BH M2*4             | NSP         | 4    |
| 8       | BASE REEL         | NSP         | 4    | 57      | PH M2.6*5           | NSP         | 2    |
| 9       | GEAR CAM          | NSP         | 2    | 58      | TAPPING M2.6*4      | NSP         | 4    |
| 10      | GEAR IDLER        | NSP         | 2    | 59      | AZIMUTH S/C 1-WAY   | NSP         | 1    |
| 11      | BUSH C            | NSP         | 2    | 60      | AZIMUTH S/C M2*5.7  | NSP         | 2    |
| 12      | PULLEY C          | NSP         | 2    | 61      | FELT C              | NSP         | 2    |
| 13      | PULLEY F/W F      | NSP         | 2    | 62      | BELT SUB(PI33.1)    | NSP         | 2    |
| 14      | PULLEY F/W R      | NSP         | 1    | 63      | BELT 110            | NSP         | 1    |
| 15      | BRKT HEAD B       | NSP         | 1    | 64      | BELT 110            | NSP         | 1    |
| 16      | GEAR HEAD B       | NSP         | 1    | 65      | PCB CONTROL DOUBL   | NSP         | 1    |
| 17      | PULLEY M/T TDW    | NSP         | 1    | 66      | CONNECTOR(16P)      | NSP         | 1    |
| 18      | LEVER BRAKE       | NSP         | 2    | 67      | CONNECTOR(6P)       | NSP         | 1    |
| 19      | GEAR DIR          | NSP         | 1    | 68      | WIRE MOTOR(4P-80)   | NSP         | 1    |
| 20      | ARM PINCH F       | 6768SCAS03A | 2    | 69      | ROLLER PINCH        | 6768SCRS01A | 3    |
| 21      | ARM PINCH R       | 6768SCAS04A | 1    | 70      | WEDGE( )            | NSP         | 1    |
| 22      | ARM CAMLOCK       | NSP         | 2    | 71      | SOLENOID(24 OHM)    | 6768SCVS02A | 2    |
| 23      | ARM RF            | NSP         | 2    | 72      | REFLECTOR           | NSP         | 2    |
| 24      | GEAR RF           | NSP         | 4    | 73      | METAL FG F(CAPSTAN) | NSP         | 2    |
| 25      | CAP C             | NSP         | 1    | 74      | METAL FG R(CAPSTAN) | NSP         | 1    |
| 26      | LEVER EJECT       | 6768SCDS03A | 2    | 75      | PHOTO SENSOR        | NSP         | 2    |
| 27      | GUIDE MOTOR       | NSP         | 1    | 76      | SWITCH DETECT       | NSP         | 6    |
| 28      | TAPE GUIDE        | NSP         | 1    | 77      | SWITCH MODE         | 6768SCTS01B | 2    |
| 29      | LEVER AC          | NSP         | 1    | 78      | HEAD R/P            | NSP         | 1    |
| 30      | W/S(2.3*3.5*0.25) | NSP         | 3    | 79      | HEAD 1-WAY          | NSP         | 1    |
| 31      | W/S(1.8*4*0.5)    | NSP         | 2    | 80      | MOTOR(YD2BH)        | 6768SCQS01A | 1    |
| 32      | W/S(1.6*3.5*0.5)  | NSP         | 1    | 81      | WIRE HEAD(BRN)      | NSP         | 1    |
| 33      | W/S(3.6*6*0.5)    | NSP         | 4    | 82      | WIRE HEAD(BLU)      | NSP         | 1    |
| 34      | W/S(6*11*0.25)    | NSP         | 4    | 83      | WIRE HEAD(GRN)      | NSP         | 1    |
| 35      | W/S(1.2*3.2*0.25) | NSP         | 2    | 84      | WIRE HEAD(ORA)      | NSP         | 1    |
| 36      | W/S(4.6*7.1*0.13) | NSP         | 4    | 85      | WIRE HEAD(RED)      | NSP         | 1    |
| 37      | SHAFT PINCH       | NSP         | 3    | 86      | WIRE HEAD(WHT)      | NSP         | 1    |
| 38      | SHAFT IDLER       | NSP         | 2    | 87      | WIRE HEAD(YEL)      | NSP         | 1    |
| 39      | SHAFT RF          | NSP         | 2    | 88      | Head PCB            | NSP         | 1    |
| 40      | SHAFT F/W R       | NSP         | 1    | 89      | CONN Head(3P)       | NSP         | 1    |
| 41      | SHAFT F/W F       | NSP         | 2    | ε       | HEAD ASSY RP6       | 6768SCES03B |      |
| 42      | SPRING B/T(F)     | NSP         | 2    | ε       | BRK HEAD ASSY RP1   | 6768SCES04A |      |
| 43      | SPRING B/T(R)     | NSP         | 2    | ε       | ARM Pinch R ASSY    | 6768SCAS01A |      |
| 44      | SPRING BASE HEAD  | NSP         | 2    | ε       | ARM Pinch F ASSY    | 6768SCAS01B |      |
| 44-1    | SPRING LEVER AC   | NSP         | 1    | ε       | Pulley F/W F ASSY   | 6268SCJS02A |      |
| 45      | SPRING DIR        | NSP         | 1    | ε       | MOTOR BRKT ASSY     | 6768SCPS01A |      |
| 46      | SPRING PINCH(F)   | 6768SCSS02A | 1    | ε       | MOTOR ASSY          | 6768SCS03A  |      |
| 47      | SPRING PINCH(R)   | 6768SCSS03A | 1    |         |                     |             |      |
| 48      | S/P ARM CAM LOCK  | NSP         | 2    |         |                     |             |      |

# EXPLODED VIEW/PARTS LIST

## CD MECHANISM

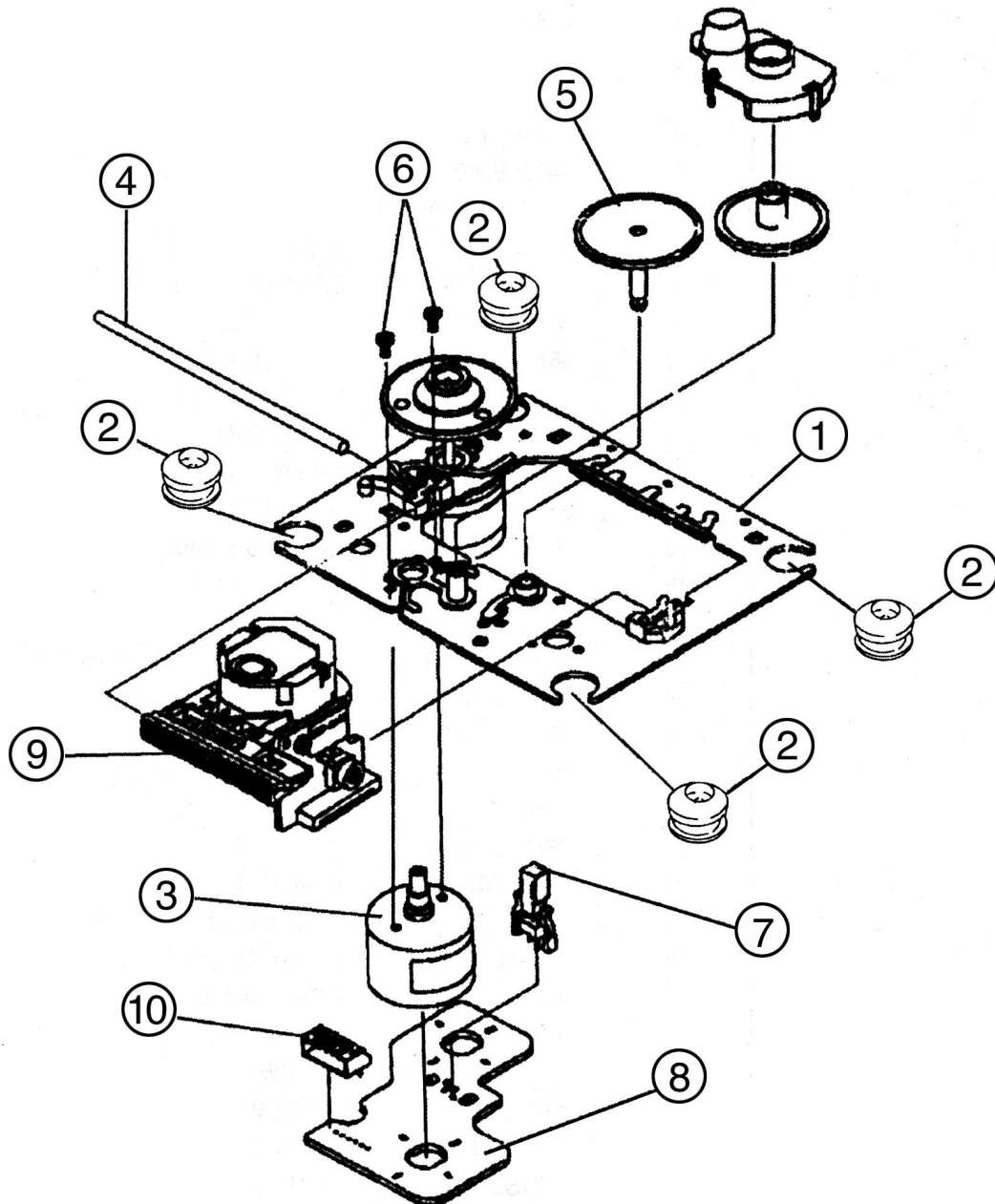


| REF.NO.  | PART NO.    | DESCRIPTION                   |
|----------|-------------|-------------------------------|
| -        | 4405SCE002A | CD MECHANISM ASS'Y(CDM-H1303) |
| 1        | 4680SBP001A | MOTOR PULLEY ASS'Y            |
| 2        | 4400SB0001A | BELT MAIN                     |
| 3        | 4470SB0005A | GEAR MAIN                     |
| 4        | 88H-0004    | SCREW(3X12X12)                |
| 5        | 4470SB0007A | GEAR PU UP-A                  |
| 6        | 4470SB0008A | GEAR PU UP-B                  |
| 7        | 4470SB0006A | GEAR PU DOWN                  |
| 8        | 4470SB0004A | GEAR LOADING                  |
| 9        | 4470SB0003A | GEAR PULLEY                   |
| 10       | 6871SB21RAD | PCB ASS'Y CLOSE               |
| 11       | 353S353F    | SCREW D2.6 L4.0               |
| 12       | 4974SB0001A | GUIDE CAM                     |
| 13       | 4970SBN002A | SPRING CAM                    |
| 14       | 6871SC21RAD | PCB ASS'Y OPEN                |
| 15       | 6871SD21RAD | PCB ASS'Y CAM                 |
| 16       | 88H-0004    | SCREW(3X12X12)                |
| 17       | 3040SB0002A | BASE MAIN                     |
| 18       | 4405SCB001A | MECHANISM ASS'Y(KSM-213CCM)   |
| 19       | 6756SBX001A | SCREW(2.6X10X10)              |
| 20       | 4900SB0001A | DAMPER RUBBER                 |
| 21       | 3040SB0003A | BASE PU(CDM-H1303)            |
| 22       | 88H-0002    | SCREW(3X9X12)                 |
| 23+24+25 | 4860SB0002A | CLAMP ASS'Y                   |
| 23       | 4860SB0001A | CLAMP DISC                    |
| 24       | 524-012A    | COVER CLAMP MAGNET            |
| 25       | 3550SB0001A | COVER MAGNET                  |
| 26       | 4471SB0001A | GEAR CAM ASS'Y                |
| 27       | 353-025B    | SCREW D3.0 L8.0               |
| 28       | 88H-0003A   | SCREW(3X12X10)                |
| 29       | 4974SB0003A | GUIDE WORM                    |
| 30       | 6871SF21RAD | PCB ASS'Y SENSOR              |
| 31       | 4371SB0002A | SHAFT ASS'Y TRAY              |
| 32       | 4400SB0001B | BELT TRAY                     |
| 33       | 3390SB0001A | TRAY LOADING                  |
| 34       | 6870SE21RAB | PCB ASS'Y TRAY                |
| 35       | 4680SBP002A | MOTOR ASS'Y TRAY              |
| 36       | 3390SB0002A | TRAY DISC                     |
| 37       | 4470SB0010A | GEAR TRAY A                   |
| 38       | 4470SB0011A | GEAR TRAY B                   |



# EXPLODED VIEW/PARTS LIST

## • OPTICAL PICK-UP CARRIAGE



SP: Serviceable Part

NSP: Not Serviceable Part

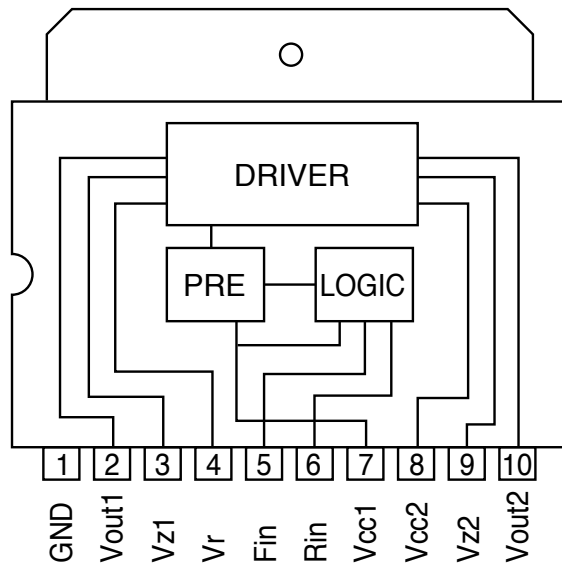
| REF.NO. | PART NO     | DESCRIPTION                    | Q'TY | REMARK |
|---------|-------------|--------------------------------|------|--------|
|         | 4405SCB001A | MECHANISM ASSEMBLY, KSM-213CCM | 1    | SP     |
| 1       | 88S-0099    | TT CHASSIS ASS'Y               | 1    | NSP    |
| 2       | 88S-0089    | INSULATOR(S)                   | 4    | NSP    |
| 3       | 6756S-0001A | MOTOR                          | 1    | NSP    |
| 4       | 88S-0088    | SLIDE SHAPE(S)                 | 1    | NSP    |
| 5       | 6756S-G001A | GEAR                           | 1    | SP     |

| REF.NO. | PART NO     | DESCRIPTION       | Q'TY | REMARK |
|---------|-------------|-------------------|------|--------|
| 6       | 88S-0101    | +P 2 × 3          | 2    | NSP    |
| 7       | 6756S-T001A | SWITCH            | 1    | SP     |
| 8       | 88S-0098    | MOTOR BASE(6P)    | 1    | NSP    |
| 9       | 6756S-X001A | PICK-UP, KSS-213C | 1    | SP     |
| 10      | 88S-0100    | CONNECTOR 6P      | 1    | NSP    |

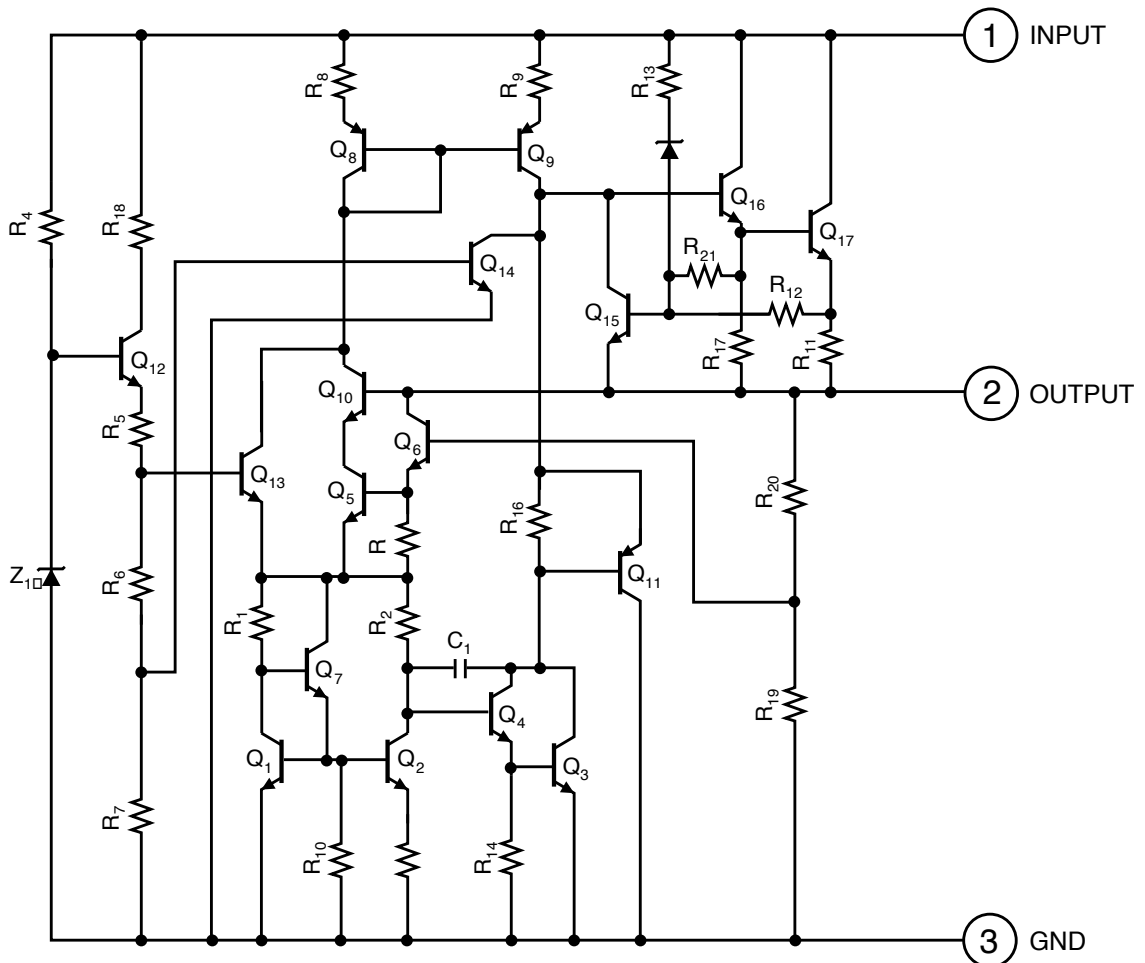




■ KA8301

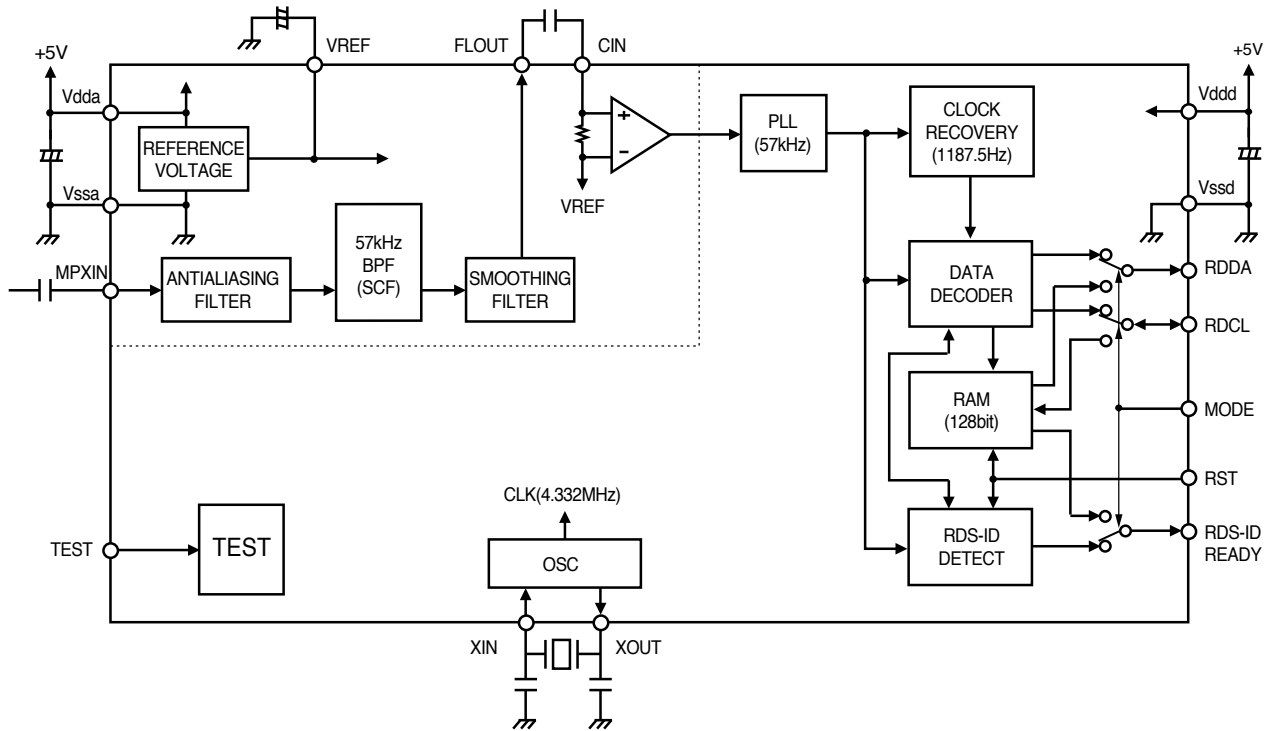


■ KIA7805 P/PI ~ KIA7824P/PI

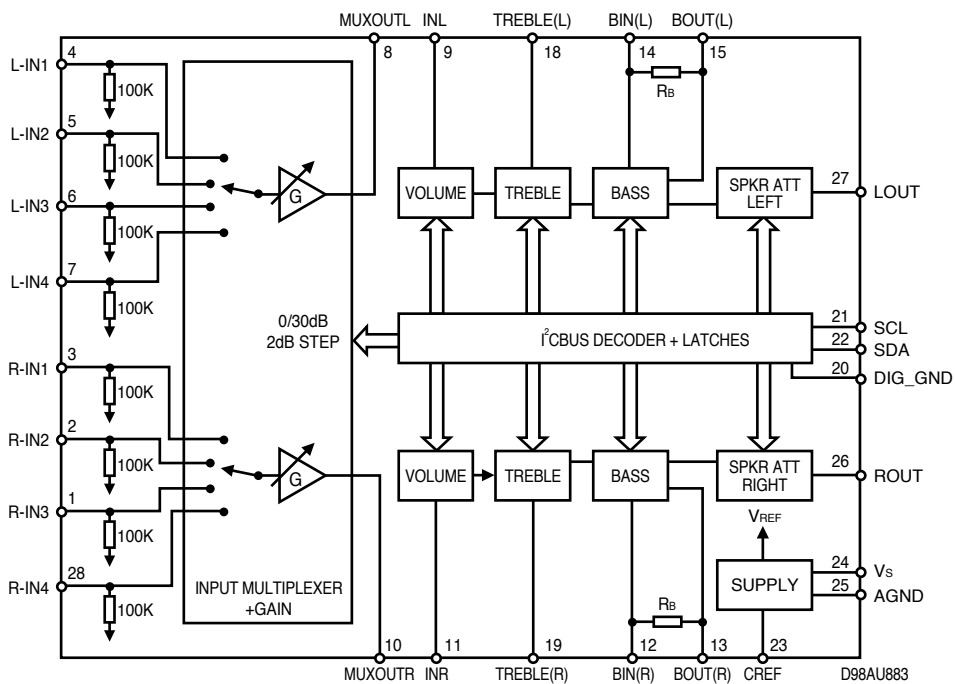




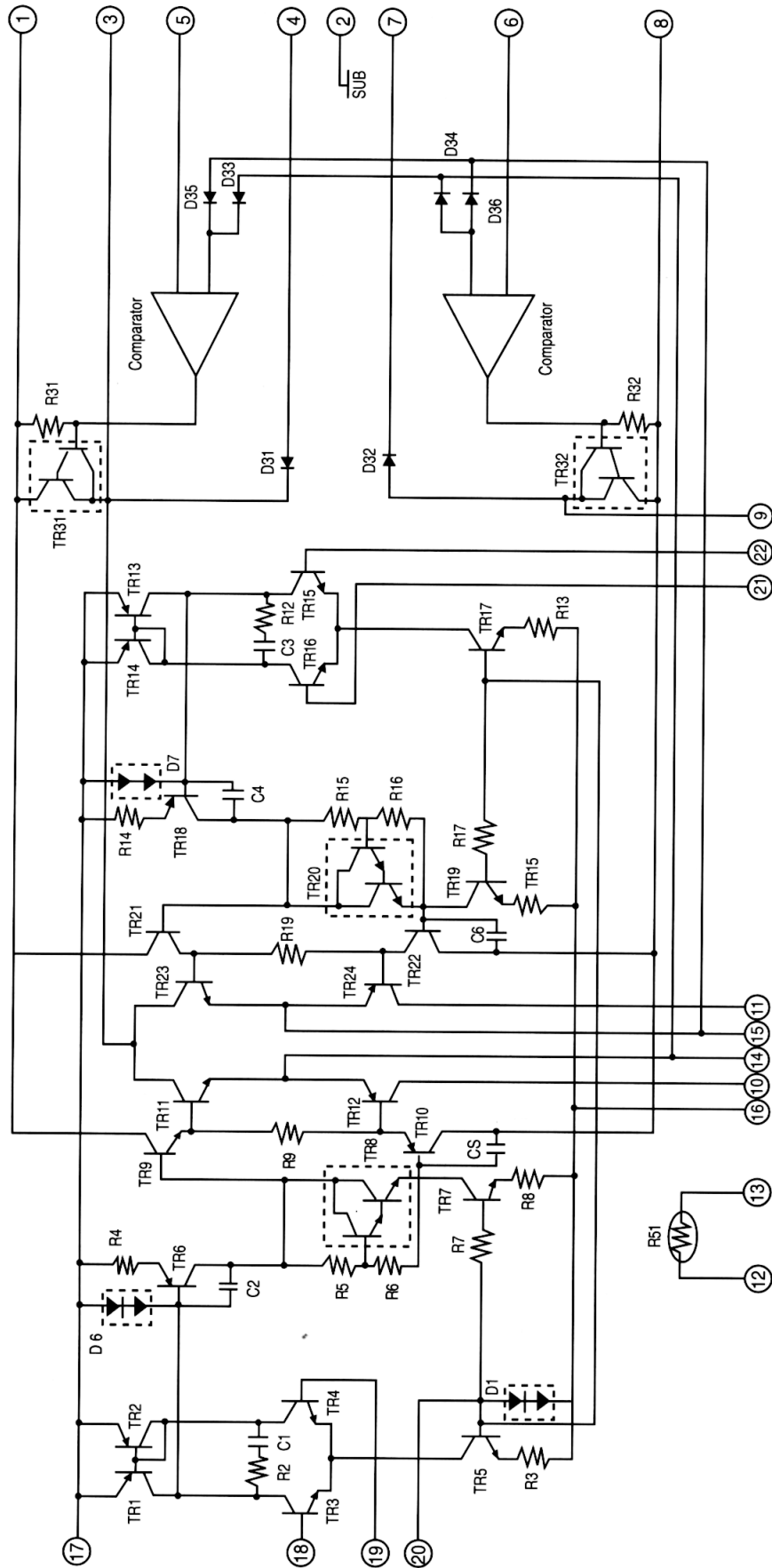
## LC7273M



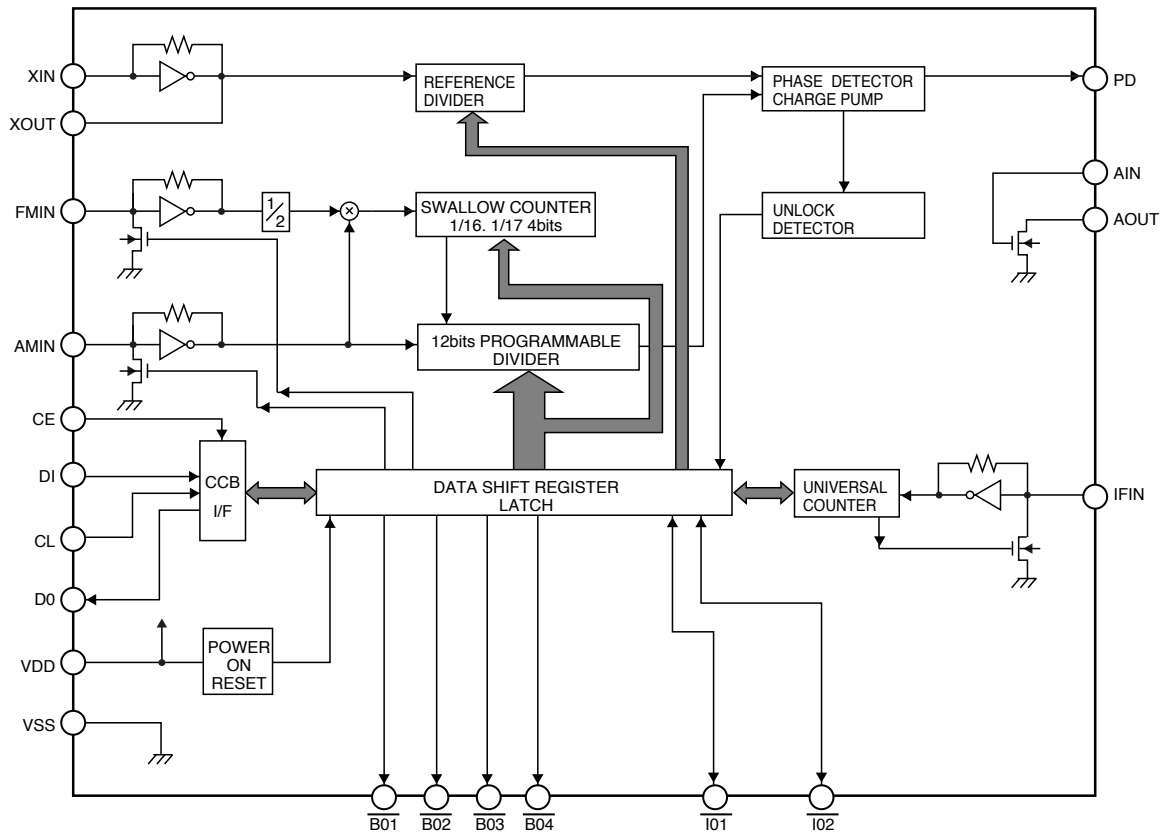
## TDA7440D



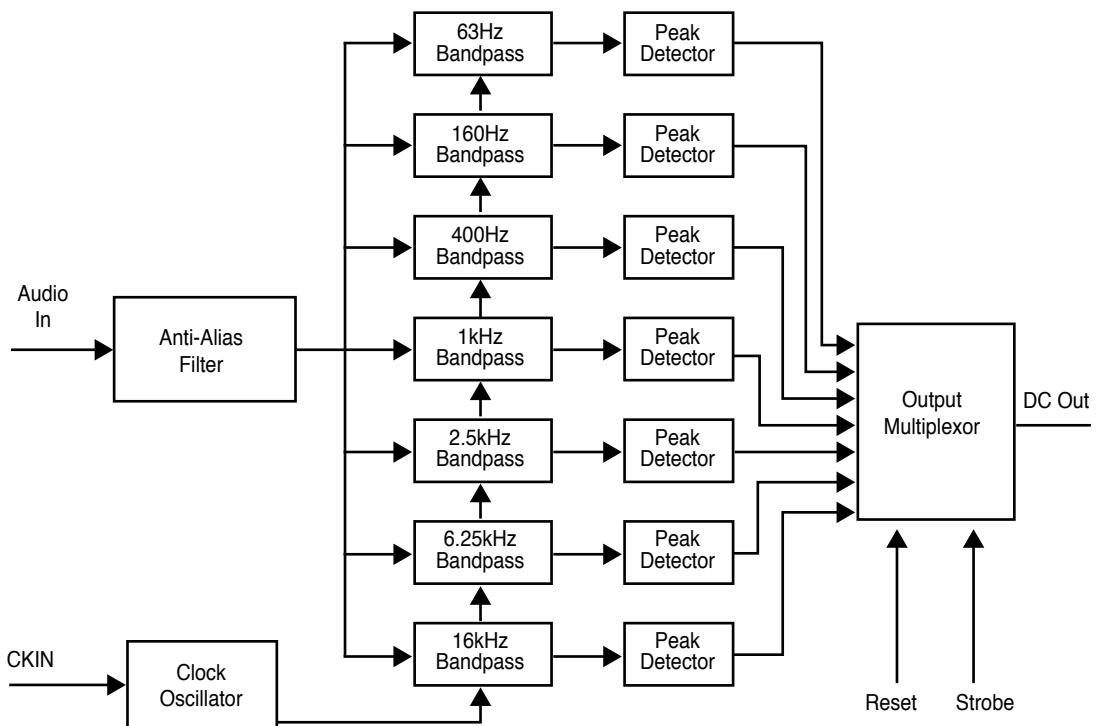
■ STK411-220E



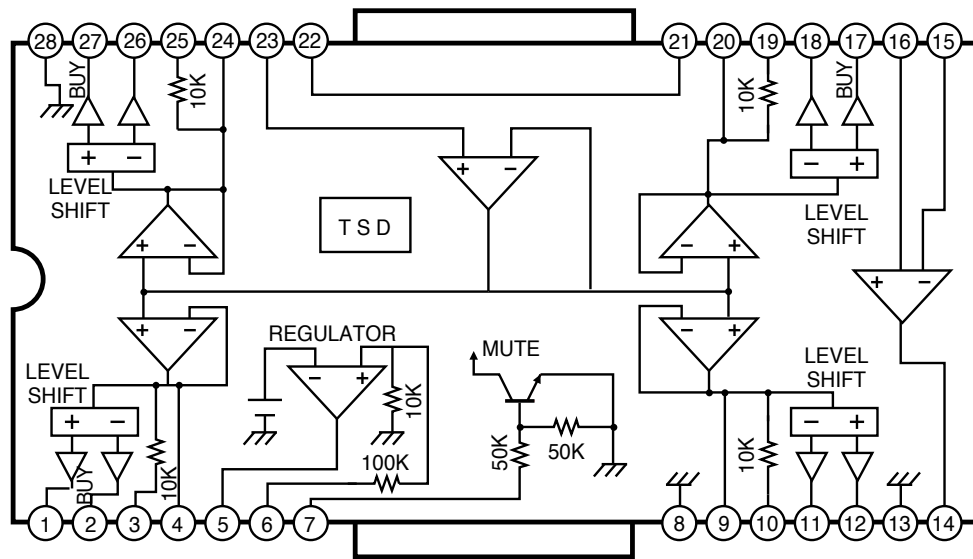
## LC72131, 72131M



## MSGEQ7



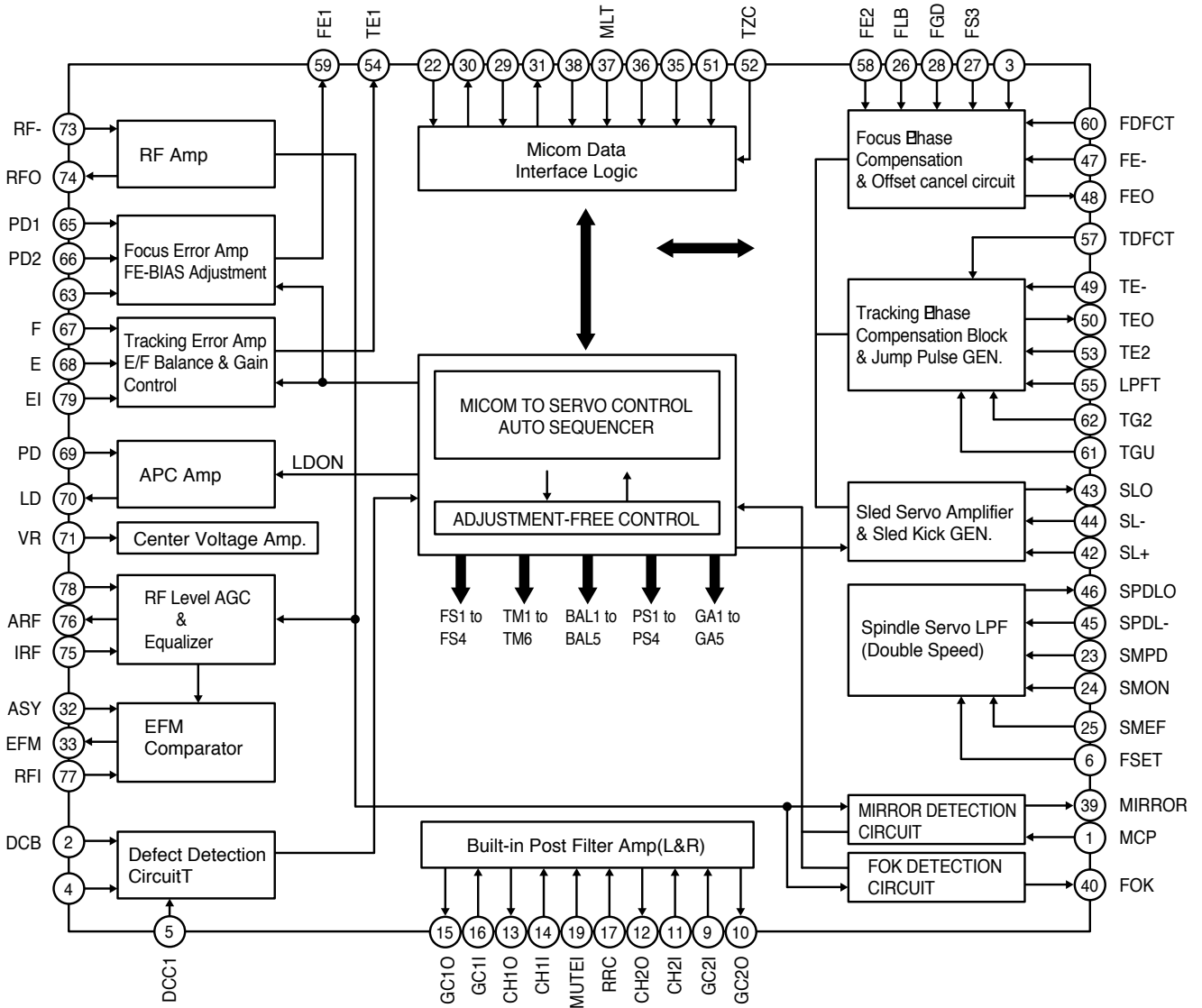
# KA3010



## PIN DESCRIPTION

| Pin No. | Symbol   | I/O | Description       |
|---------|----------|-----|-------------------|
| 1       | DO1.1    | O   | DRIVE OUTPUT      |
| 2       | DO1.2    | O   | DRIVE OUTPUT      |
| 3       | DI1.1    | I   | DRIVE INPUT       |
| 4       | DI1.2    | I   | DRIVE INPUT       |
| 5       | REG      |     | REGULATOR         |
| 6       | REO      | O   | REGULATOR OUTPUT  |
| 7       | MUTE     |     | MUTE              |
| 8       | GND1     |     | GROUND            |
| 9       | DI2.1    | I   | DRIVE INPUT       |
| 10      | DI2.2    | I   | DRIVE INPUT       |
| 11      | DO2.1    | O   | DRIVE OUTPUT      |
| 12      | DO2.2    | O   | DRIVE OUTPUT      |
| 13      | GND2     |     | GROUND            |
| 14      | OPOUT    | O   | OPAMP OUTPUT      |
| 15      | OPIN (-) | I   | OPAMP OUTPUT (-)  |
| 16      | OPIN (+) | I   | OPAMP INPUT (+)   |
| 17      | DO3.1    | O   | DRIVE OUTPUT      |
| 18      | DO3.2    | O   | DRIVE OUTPUT      |
| 19      | DI3.1    | I   | DRIVE INPUT       |
| 20      | DI3.2    | I   | DRIVE INPUT       |
| 21      | VCC1     |     | SUPPLY VOLTAGE    |
| 22      | VCC2     |     | SUPPLY VOLTAGE    |
| 23      | VREF     |     | 2.5V BIAS VOLTAGE |
| 24      | DI4.1    | I   | DRIVE INPUT       |
| 25      | DI4.2    | I   | DRIVE INPUT       |
| 26      | DO4.1    | O   | DRIVE OUTPUT      |
| 27      | DO4.2    | O   | DRIVE OUTPUT      |
| 28      | GND3     |     | GROUND            |

# KB9223

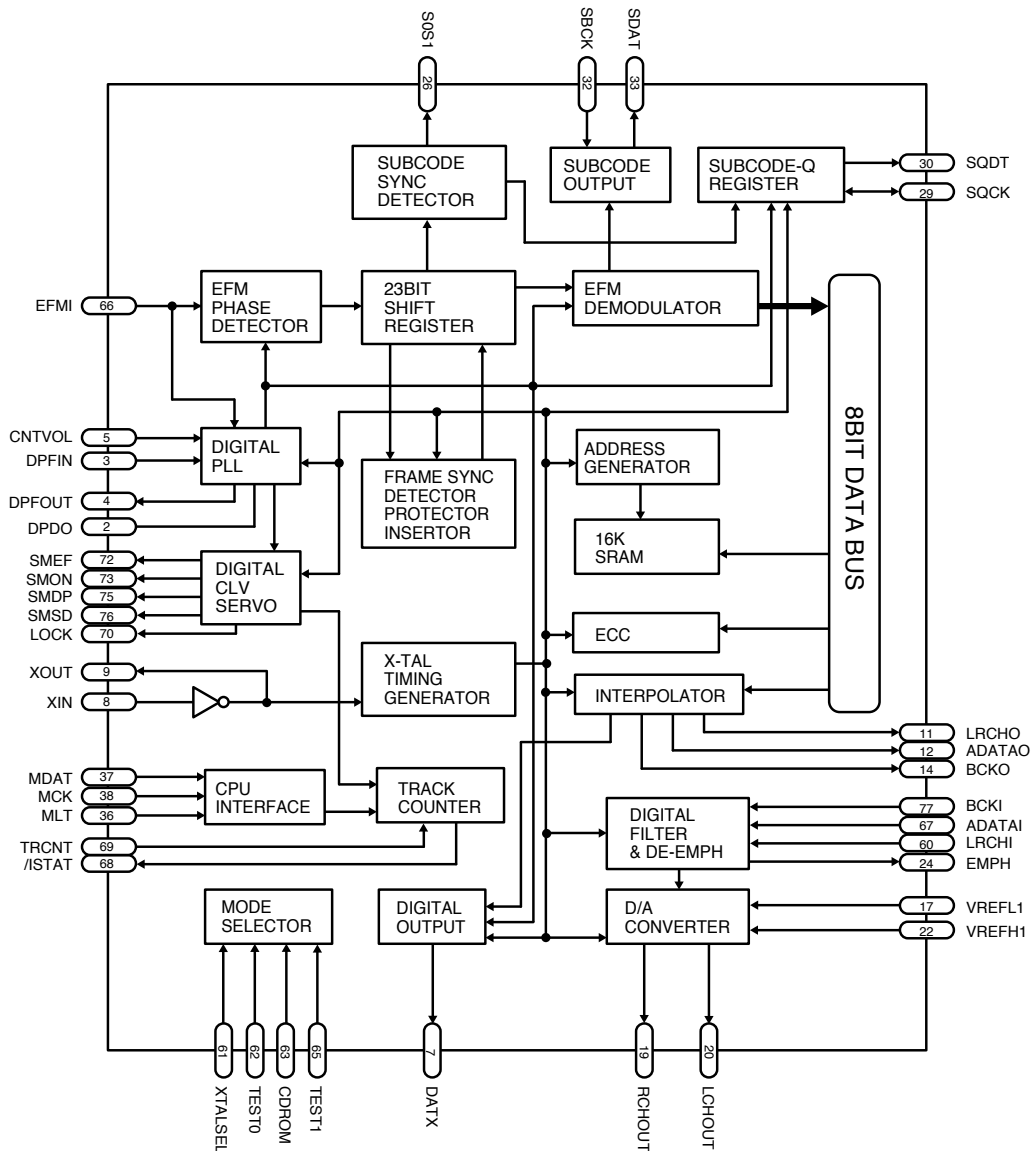


## PIN DESCRIPTION

| Pin No. | System | Description   |
|---------|--------|---|
| 1       | MCP    | Capacitor connection pin for mirror hold  |
| 2       | DCB    | Capacitor connection pin for defect Bottom hold   |
| 3       | FRSH.  | Capacitor connection pin for time constant to generate focus search waveform              |
| 4       | DCC2   | The input pin through capacitor of defect bottom hold output                              |
| 5       | DCC1   | The output pin of defect bottom hold  |
| 6       | FSET   | The peak frequency setting pin for focus, tracking servo and cut off frequency of CLV LPF |
| 7       | VDDA   | Analog VCC for servo part   |
| 8       | VCCP   | VCC for post filter   |
| 9       | GC2I   | Amplifier negative input pin for gain and low pass filtering of DAC output CH2            |
| 10      | GC2O   | Amplifier output pin for gain and low pass filtering of DAC output CH2                    |
| 11      | CH2I   | The input pin for post filter channel2  |
| 12      | CH2O   | The output pin for post filter channel2   |
| 13      | CH1O   | The output pin for post filter channel1   |
| 14      | CH1I   | The input pin for post filter channel1  |
| 15      | GC1O   | Amplifier output pin for gain and low pass filtering of DAC output CH1                    |

| Pin No. | System | Description  |
|---------|--------|--|
| 16      | GC1I   | Amplifier negative input pin for gain and low pass filtering of DAC output CH1         |
| 17      | RRC    | The pin for noise reduction of post filter bias  |
| 18      | VSSP   | VSS for post filter  |
| 19      | MUTEI  | The input pin for post filter muting control   |
| 20      | ISET   | The input pin for current setting of focus search, track jump and sled kick voltage    |
| 21      | VREG   | The output pin of regulator  |
| 22      | WDCK   | The clock input pin for auto sequence  |
| 23      | SMDP   | The input pin of CLV control output pin SMDP of DSP                                    |
| 24      | SMON   | The input pin for spindle servo ON through SMON of DSP                                 |
| 25      | SMEF   | The input pin of provide for an external LPF time constant                             |
| 26      | FLB    | Capacitor connection pin to perform rising low bandwidth of focus loop                 |
| 27      | FS3    | The pin for high frequency gain change of focus loop with internal FS3 switch          |
| 28      | FGD    | Reducing high frequency gain with capacitor between FS3 pin                            |
| 29      | LOCK   | Sled runaway prevention pin  |
| 30      | TRCNT  | Track count output pin   |
| 31      | ISTAT  | Internal status output pin   |
| 32      | ASY    | The input pin for asymmetry control  |
| 33      | EFM    | EFM comparator output pin  |
| 34      | VSSA   | Analog VSS for servo part  |
| 35      | MCK    | Micom clock input pin  |
| 36      | MDATA  | Micom data input pin   |
| 37      | MLT    | Micom data latch input pin   |
| 38      | RESET  | Reset input pin  |
| 39      | MIRROR | The mirror output for test   |
| 40      | FOK    | The output pin of focus OK comparator  |
| 41      | SSTOP  | The pin for detection whether pick_up position is innermost or not                     |
| 42      | SL+    | The noninverting input pin of sled servo amplifier                                     |
| 43      | SLO    | The output pin of sled servo amplifier   |
| 44      | SL-    | The inverting input pin of sled servo amplifier  |
| 45      | SPDL-  | The noninverting input pin of spindle servo amplifier                                  |
| 46      | SPDLO  | The output pin of spindle servo amplifier  |
| 47      | FE-    | The inverting input pin of focus servo amplifier                                       |
| 48      | FEO    | The output pin of focus servo amplifier  |
| 49      | TE-    | The inverting input pin of tracking servo amplifier                                    |
| 50      | TEO    | The output pin of tracking servo amplifier   |
| 51      | ATSC   | The input pin for Anti-shock detection   |
| 52      | TZC    | The comparator input pin for tracking zero crossing detection                          |
| 53      | TE2    | Tracking servo input pin   |
| 54      | TE1    | Tracking error amplifier output pin  |
| 55      | LPFT   | The input pin of tracking error low pass filtering signal                              |
| 56      | DVDD   | The power supply pin for logic circuit   |
| 57      | TDFCT  | The capacitor connection pin for tracking defect compensation                          |
| 58      | FE2    | Focus servo input pin  |
| 59      | FE1    | Focus error amplifier output pin   |
| 60      | FDCT   | The capacitor connection pin for focus defect compensation                             |
| 61      | TGU    | The capacitor connection pin for high frequency tracking gain switch                   |
| 62      | TG2    | The pin for high frequency gain change of tracking servo loop with internal TG2 switch |
| 63      | FEBIAS | Focus error bias voltage control pin   |
| 64      | DVEE   | The DVEE pin for logic circuit   |
| 65      | PD1    | The negative input pin of RF I/V amplifier1 (A+C signal)                               |
| 66      | PD2    | The negative input pin of RF I/V amplifier2 (B+D signal)                               |
| 67      | F      | The negative input pin of F I/V amplifier (F signal)                                   |
| 68      | E      | The negative input pin of E I/V amplifier (E signal)                                   |
| 69      | PD     | The input pin for APC  |
| 70      | LD     | The output pin for APC   |
| 71      | VR     | The output pin of (AVEE+AVCC)/2 voltage  |
| 72      | VCC    | VCC for RF part  |
| 73      | RF-    | RF summing amplifier inverting input pin   |
| 74      | RFO    | RF summing amplifier output pin  |
| 75      | IRF    | The input pin for AGC  |
| 76      | ARF    | The output pin for AGC   |
| 77      | RFI    | The input pin for EFM comparing  |
| 78      | CAGC   | The capacitor connection pin for AGC   |
| 79      | EI     | Feedback input pin of E I/V amplifier for EF Balance control                           |
| 80      | GND    | GND for RF part  |

# KS9286



## PIN DESCRIPTION

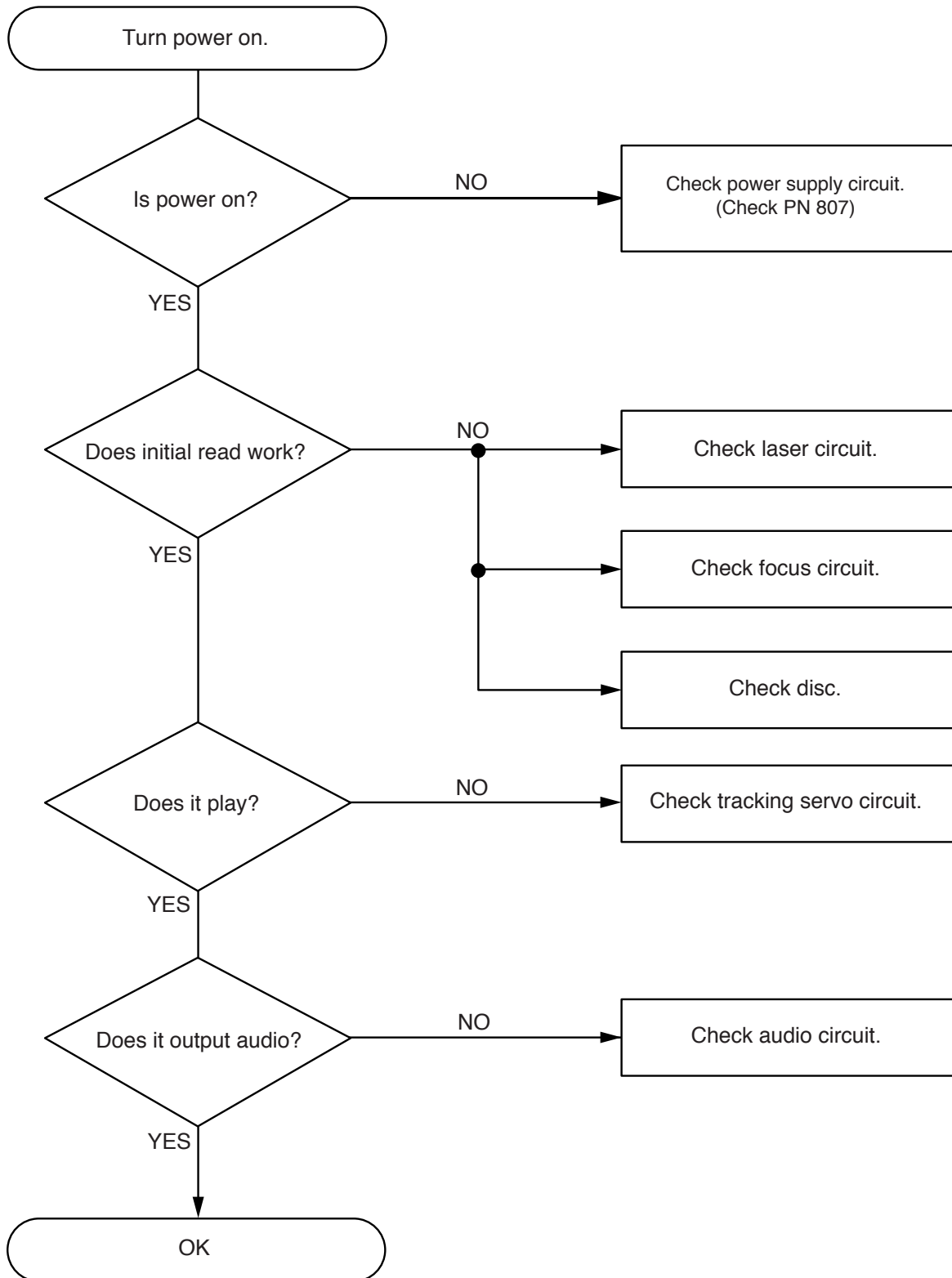
| Pin No. | Symbol | IO | Description  |
|---------|--------|----|--|
| 1       | AVDD1  | -  | Analog VCC1  |
| 2       | DPDO   | O  | Charge pump output for Digital PLL   |
| 3       | DPFIN  | I  | Filter input for Digital PLL   |
| 4       | DPFOUT | O  | Filter output for Digital PLL  |
| 5       | CNTVOL | I  | VCO control voltage for Digital PLL  |
| 6       | AVSS1  | -  | Analog Ground1   |
| 7       | DATX   | O  | Digital Audio output data  |
| 8       | XIN    | I  | X' tal oscillator input  |
| 9       | XOUT   | O  | X' tal oscillator output   |
| 10      | WDCHO  | O  | Word clock output of 48bit/Slot (88.2KHz)  |
| 11      | LRCHO  | O  | Channel clock output of 48 bit/Slot (44.1KHz), 88.2KHz when ESP ON                   |
| 12      | ADATAO | O  | Serial audio data output of 48 bit/Slot (MSB first), double speed output when ESP ON |
| 13      | DVSS1  | -  | Digital Ground1  |
| 14      | BCKO   | O  | Audio data bit clock output of 48 bit/Slot (2.1168MHz), 4.2336MHz when ESP ON        |
| 15      | C2PO   | O  | C2 Pointer for output audio data   |
| 16      | VREFL2 | I  | Input terminal2 of reference voltage "L" (Floating)                                  |

| Pin No. | Symbol  | IO  | Description   |
|---------|---------|-----|---|
| 17      | VREFL1  | I   | Input terminal1 of reference voltage "L" (GND connection)   |
| 18      | AVDD2   | -   | Analog VCC2   |
| 19      | RCHOUT  | O   | Right-Channel audio output through D/A converter  |
| 20      | LCHOUT  | O   | Left-Channel audio output through D/A converter   |
| 21      | AVSS2   | -   | Analog ground2  |
| 22      | VREFH1  | I   | Input terminal1 of reference voltage "H" (VDD connection)   |
| 23      | VREFH2  | I   | Input terminal2 of reference voltage "H" (Floating)   |
| 24      | EMPH    | O   | Emphasis/Non-Emphasis output, H: Emphasis ON, L: Emphasis OFF   |
| 25      | LKFS    | O   | The Lock Status output of frame sync  |
| 26      | S0S1    | O   | Output of subcode sync signal (S0+S1)   |
| 27      | RESET   | I   | System reset at "L"   |
| 28      | /ESP    | I   | ESP function ON/OFF control ( "L": ESP function ON, "H": ESP function OFF)  |
| 29      | SQCK    | I   | Clock for output Subcode-Q data   |
| 30      | SQDT    | O   | Serial output of Subcode-Q data   |
| 31      | SQOK    | O   | The CRC (Cycle Redundancy Check) check result signal output of Subcode-Q  |
| 32      | SBCK    | I   | Clock for output subcode data   |
| 33      | SDAT    | O   | Subcode serial data output  |
| 34      | DVDD1   | -   | Digital VDD1  |
| 35      | MUTE    | I   | Mute control input ("H": Mute ON)   |
| 36      | MLT     | I   | Latch Signal Input from Micom (Scmit Trigger)   |
| 37      | MDAT    | I   | Signal data input from Micom (Scmit Trigger)  |
| 38      | MCK     | I   | Signal clock Input from Micom (Scmit Trigger)   |
| 39      | DB8     | I/O | SRAM data I/O port 8 (MSB)  |
| 40      | DB7     | I/O | SRAM data I/O port 7  |
| 41      | DB6     | I/O | SRAM data I/O port 6  |
| 42      | DB5     | I/O | SRAM data I/O port 5  |
| 43      | DB4     | I/O | SRAM data I/O port 4  |
| 44      | DB3     | I/O | SRAM data I/O port 3  |
| 45      | DB2     | I/O | SRAM data I/O port 2  |
| 46      | DB1     | I/O | SRAM data I/O port 1 (LSB)  |
| 47      | C1F1    | I/O | Monitoring output for C1 error correction (RA1)   |
| 48      | C1F2    | I/O | Monitoring output for C1 error correction (RA2)   |
| 49      | C2F1    | I/O | Monitoring output for C2 error correction (RA3)   |
| 50      | C2F2    | I/O | Monitoring output for C2 error correction (RA4)   |
| 51      | C2FL    | I/O | C2 decoder flag (RA5, "H": When one processing C2 code is impossible correction status.)  |
| 52      | /PBCK   | I/O | Output of VCO/2 (4.3218MHz) (RA6)   |
| 53      | DVSS2   | I/O | Digital ground 2  |
| 54      | FSDW    | I/O | Window or unprotected frame sync (RA7)  |
| 55      | ULKFS   | I/O | Frame sync protection state (RA8)   |
| 56      | /JIT    | I/O | Display of either RAM overflow onncerflow for ±4 frame jitter margin (RA9)  |
| 57      | C4M     | I/O | Only monitoring signal (4.2336M .. RA10)  |
| 58      | C16M    | I/O | 16.9344MHz signal output (RA11)   |
| 59      | /WE     | I/O | Terminal for test   |
| 60      | /CS     | I/O | Terminal for test   |
| 61      | XTALSEL | I   | Mode Selection1 (H: 33.8688MHz, L: 16.9344MHz)  |
| 62      | TEST0   | I   | TEST input terminal (GND connection)  |
| 63      | CDROM   | I   | Mode Selection2 (H: CD-ROM, L: CDP)   |
| 64      | SRAM    | I   | TEST input terminal (GND connection)  |
| 65      | TEST1   | I   | TEST input terminal (GND connection)  |
| 66      | EFMI    | I   | EFM signal input  |
| 67      | ADATAI  | I   | Serial audio data input of 48 bit/Slot (MSB first)  |
| 68      | /ISTAT  | O   | The internal status output  |
| 69      | TRCNT   | I   | Tracking counter input signal   |
| 70      | LOCK    | O   | Output signal of LKFS condition sampled PBFR/16 (if LKFS is "H", LOCK is "H", if LKFS is sampled "L" at least 8 times by PBFR/16, LOCK is "L".) |
| 71      | PBFR    | O   | Write frame clock (Lock: 7.35KHz)   |
| 72      | SMEF    | O   | LPF time constant control of the spindle servo error signal   |
| 73      | SMON    | O   | ON/OFF control signal for spindle servo   |
| 74      | DVDD2   | -   | Digital VDD2  |
| 75      | SMDP    | O   | Spindle Motor drive (Rough control in the SPEED mode, Phase control in the PHASE mode)  |
| 76      | SMSD    | O   | Spindle Motor drive (Velocity control in the PHASE mode)  |
| 77      | BCKI    | I   | Audio data bit clock input of 48 bit/Slot (2.1168MHz)   |
| 78      | TESTV   | I   | TEST input terminal (GND connection)  |
| 79      | DSPEED  | I   | TEST input terminal (VDD connection)  |
| 80      | LRCHI   | I   | Channel clock input of 48 bit/Slot (44.1KHz)  |

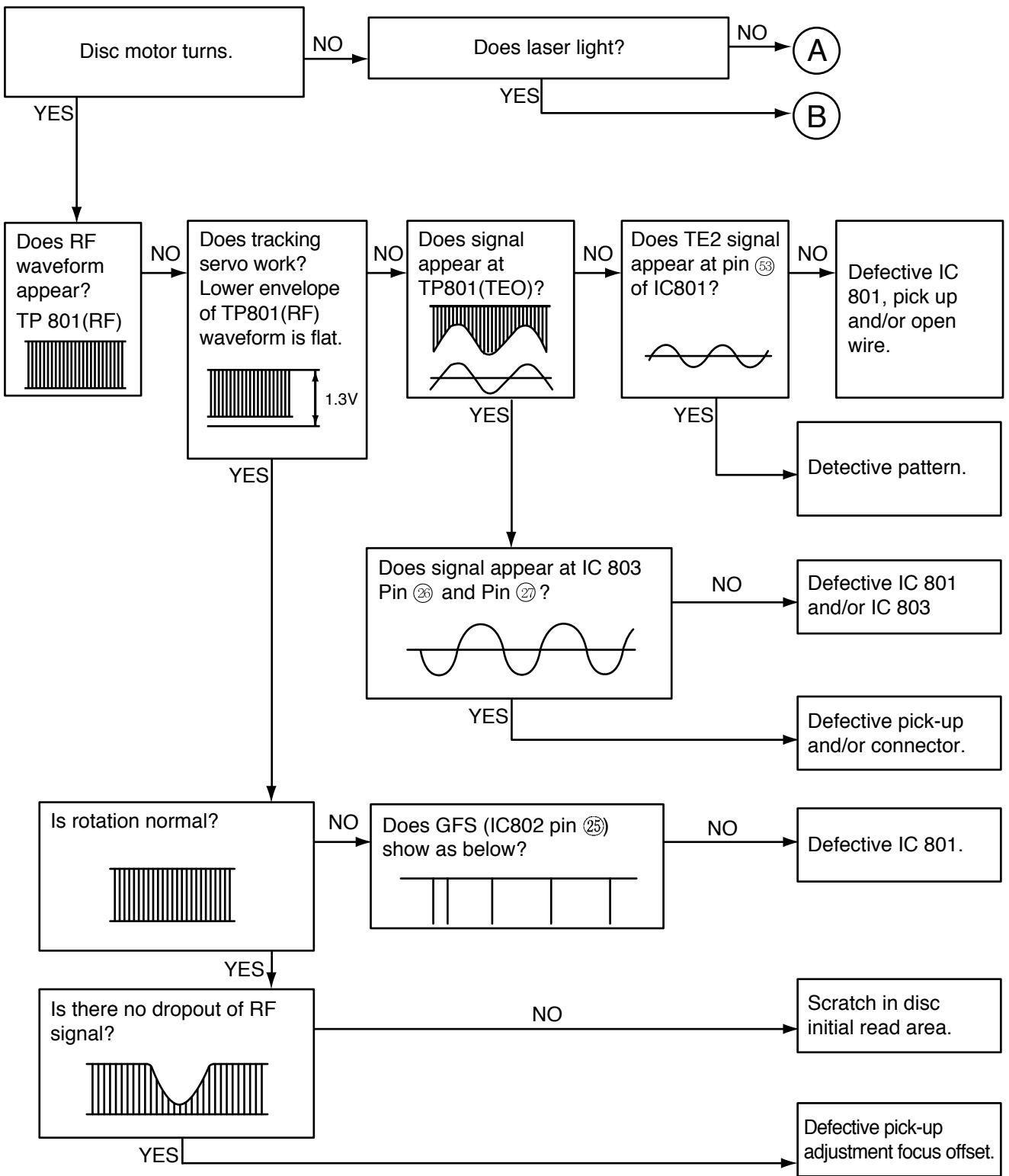




# TROUBLESHOOTING

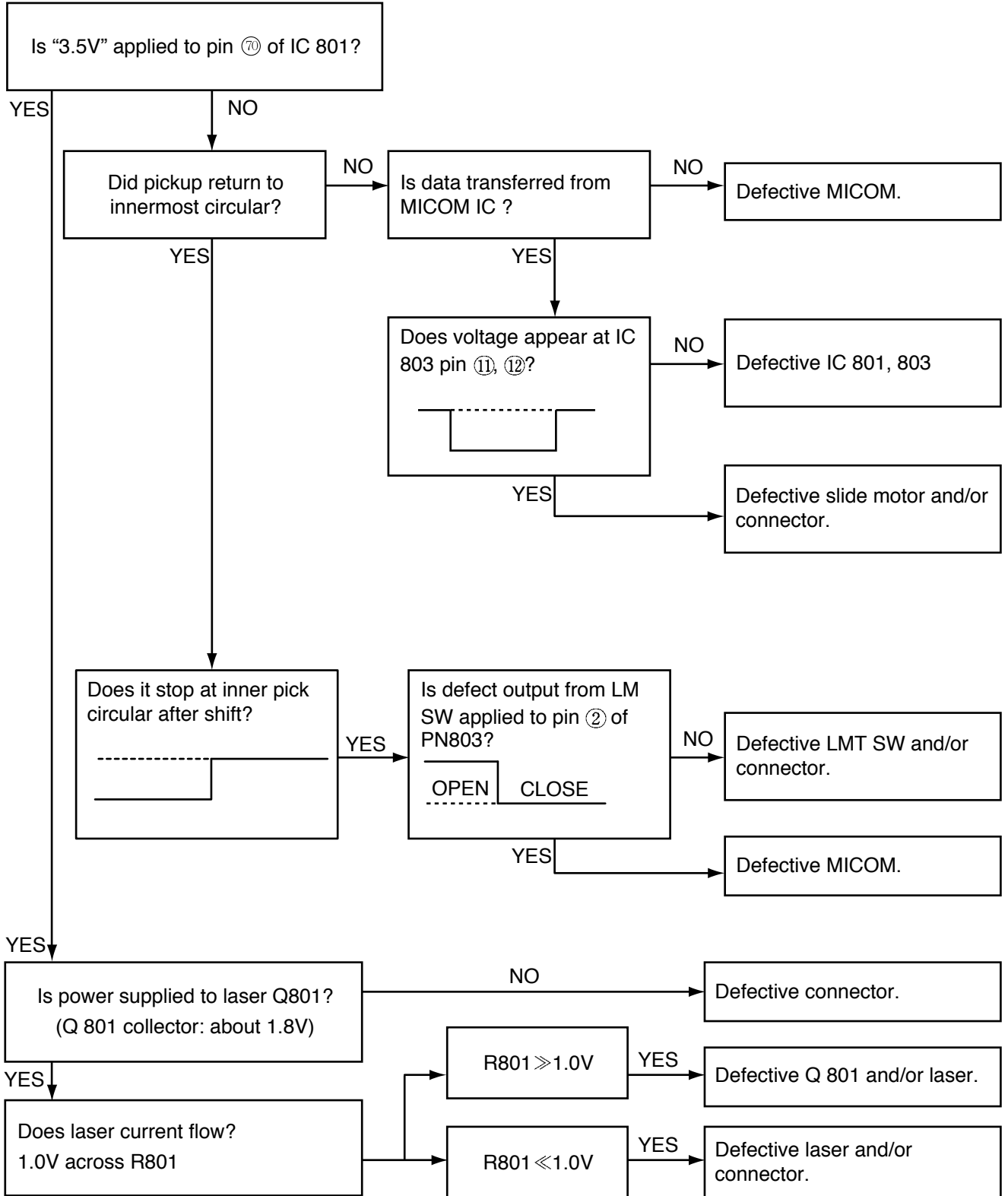


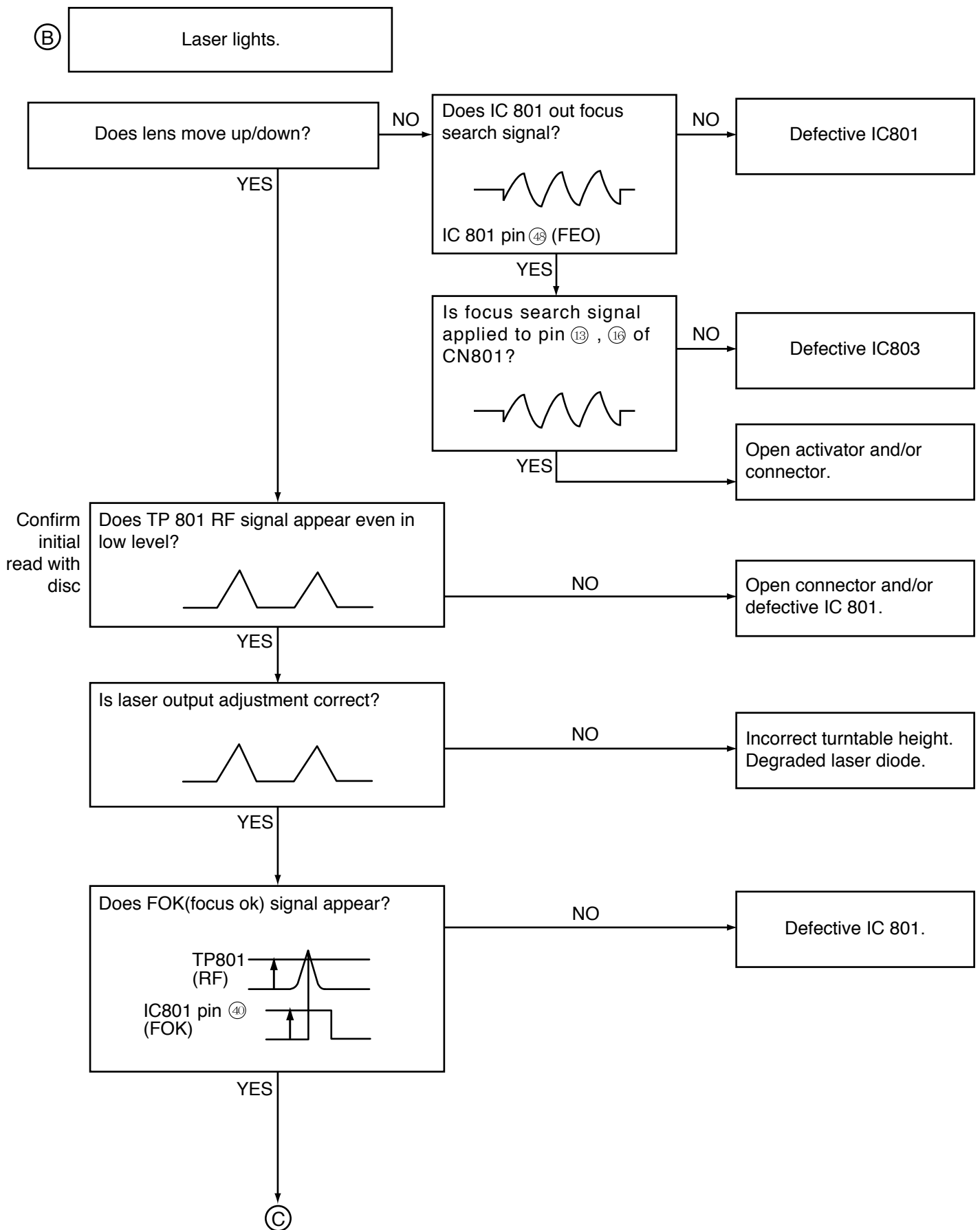
**Fails to initial read**

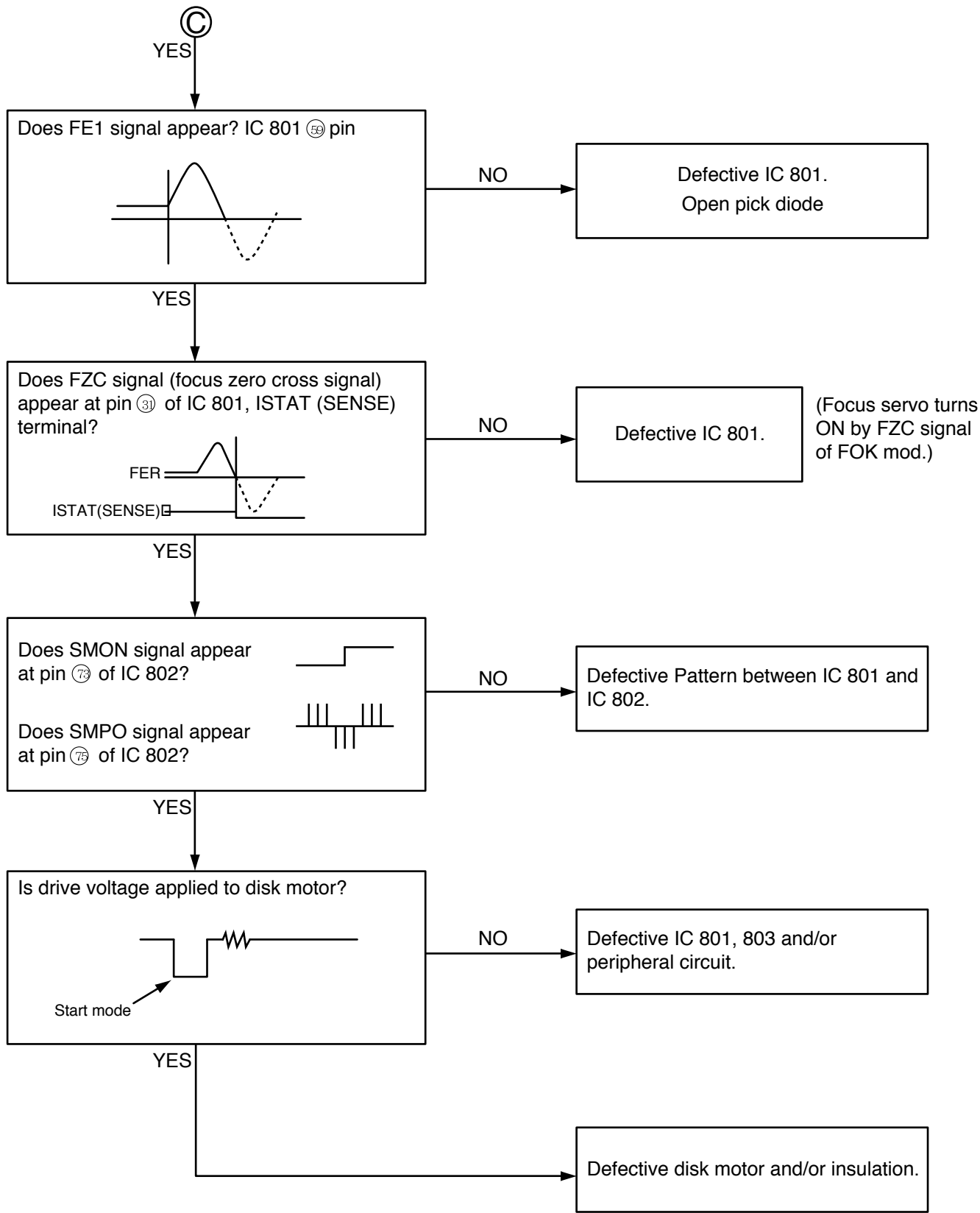


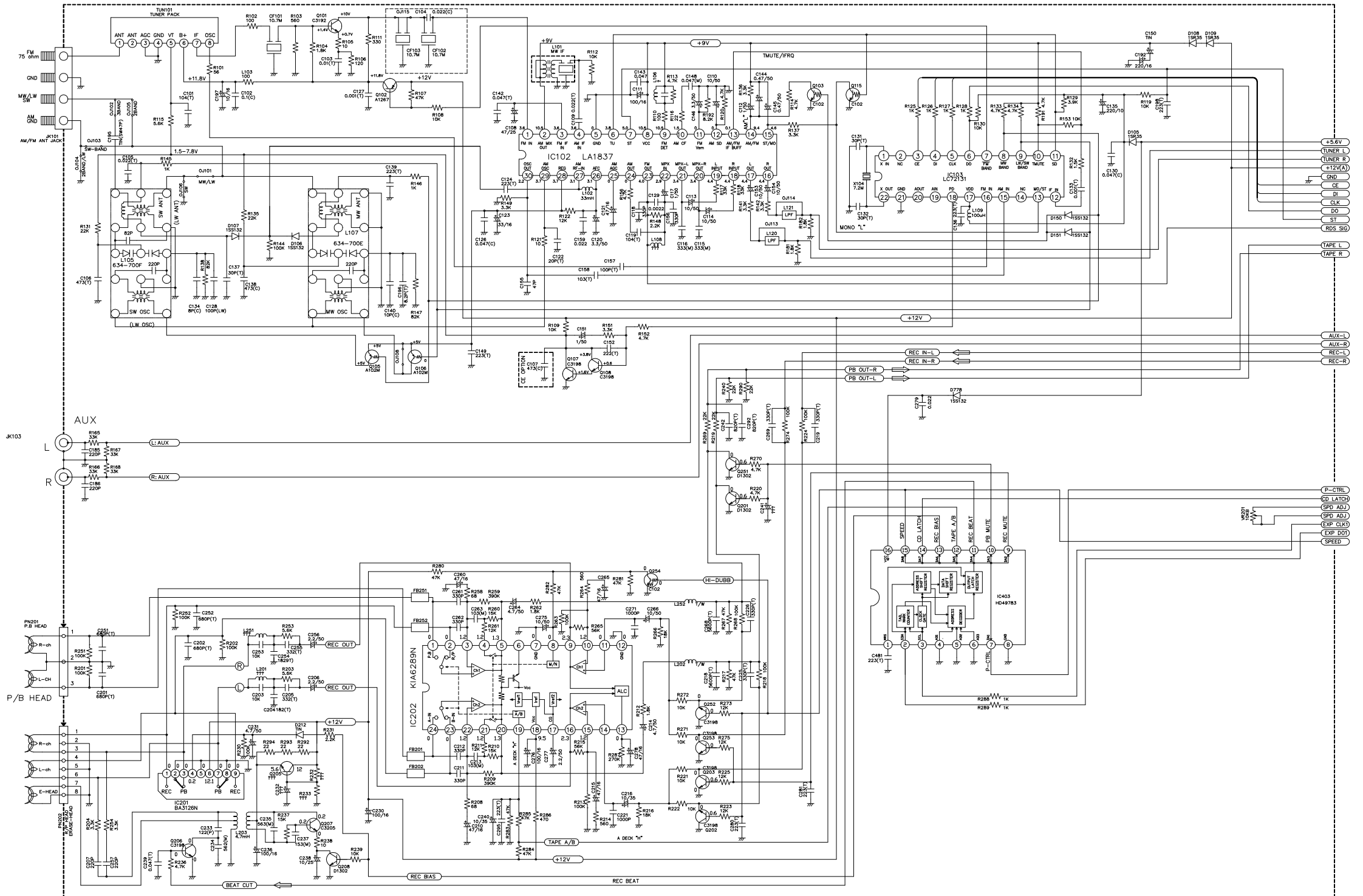
A

Laser does not light.



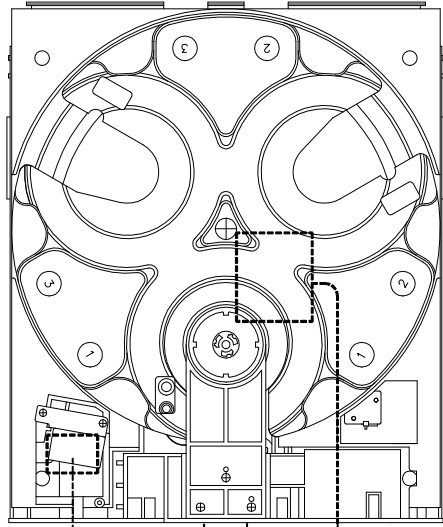
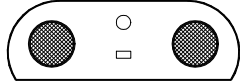




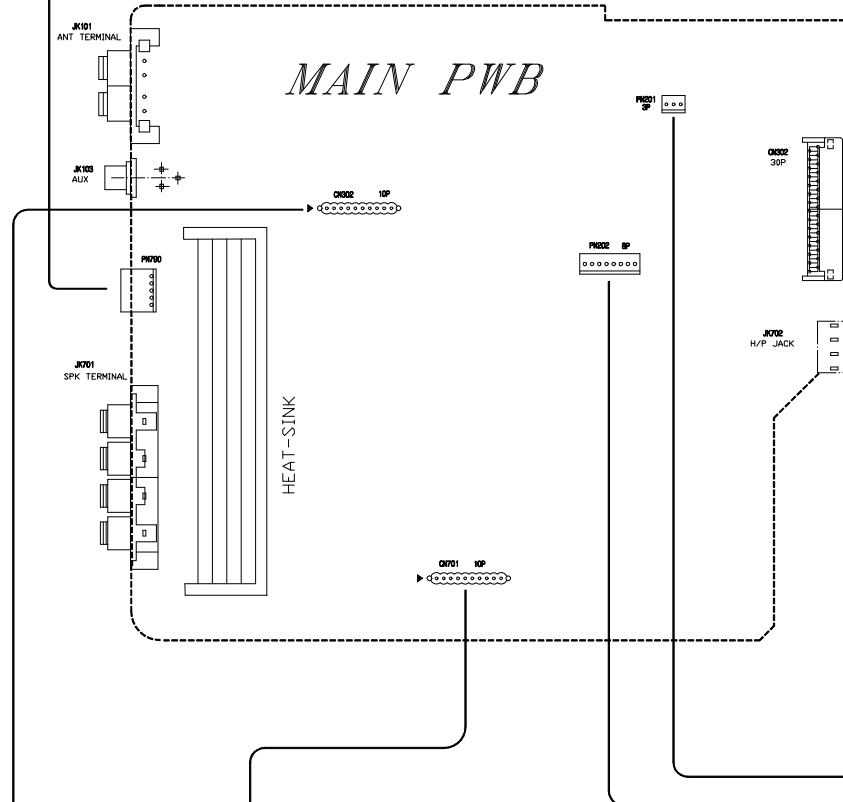


3CD CHANGER MECHANISM ASSY

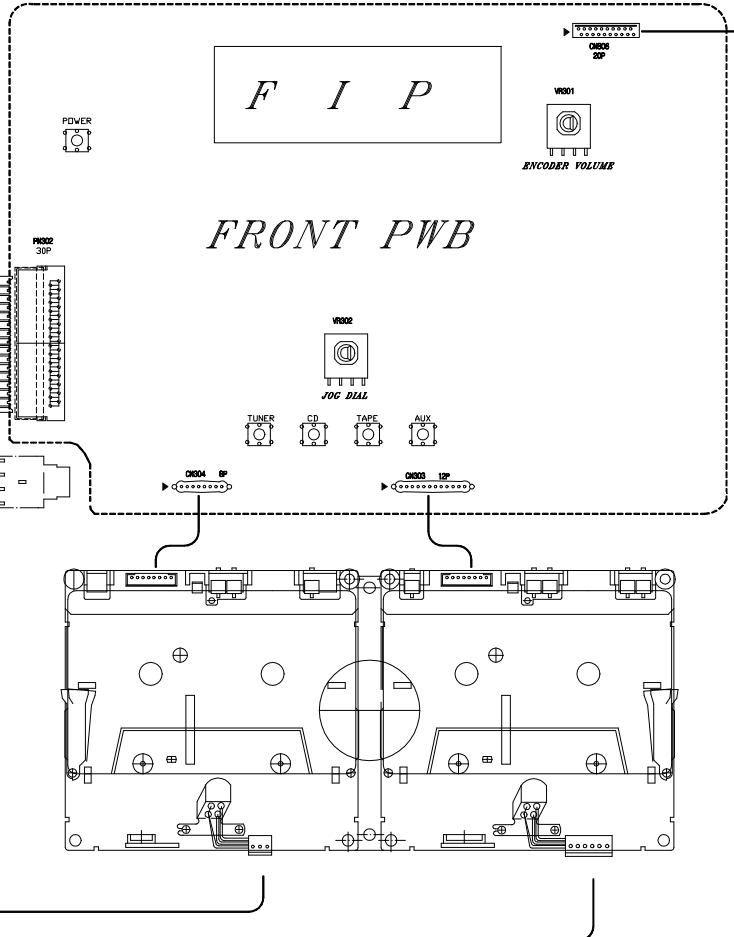
MTB (OPTION)



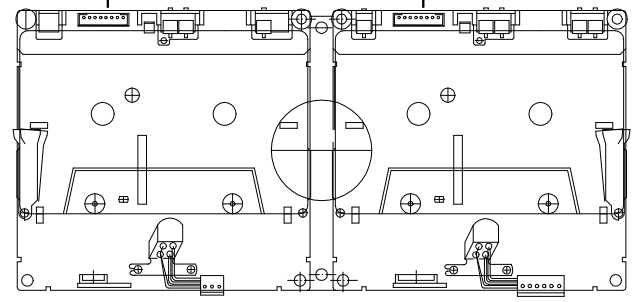
MAIN PWB



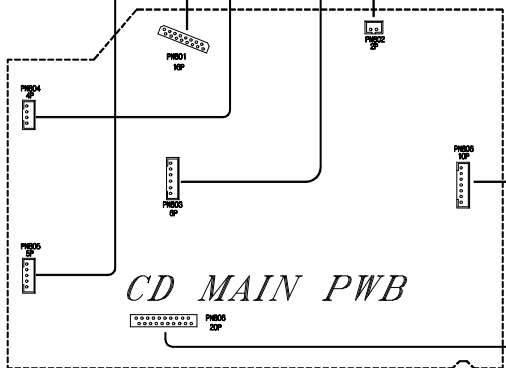
FRONT PWB



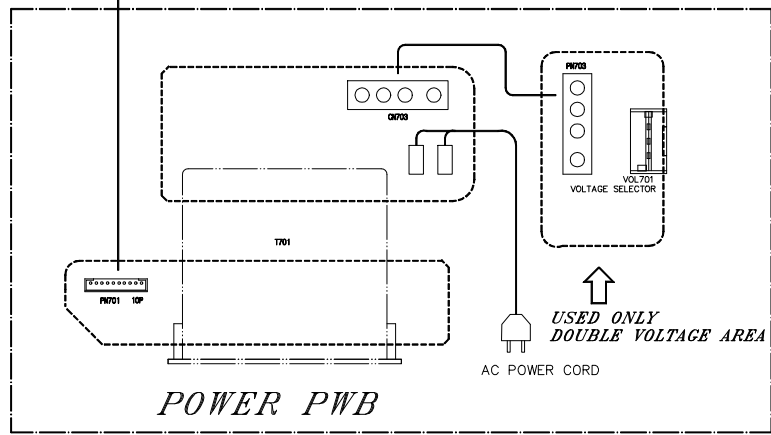
DECK MECHANISM



CD MAIN PWB



POWER PWB





| No. | Sales Model | C/Part No   | Description    | Spec                           |
|-----|-------------|-------------|----------------|--------------------------------|
| 1   | FFH-818A    | 246-444K    | DECORATION     | PLATE FFHKL588V SILVER         |
| 2   | FFH-818A    | 246-444K    | DECORATION     | PLATE FFHKL588V SILVER         |
| 3   | FFH-818A    | 255-717A    | HEAT SINK      | DIODE(GSA-PA10/FA-5000)        |
| 4   | FFH-818A    | 255-717A    | HEAT SINK      | DIODE(GSA-PA10/FA-5000)        |
| 5   | FFH-818A    | 265-013B    | FOOT           | FOOT RUBBER(NBR) MC-10         |
| 6   | FFH-818A    | 265-013B    | FOOT           | FOOT RUBBER(NBR) MC-10         |
| 7   | FFH-818A    | 3040SB0002A | BASE           | MAIN(CDM-H1303)                |
| 8   | FFH-818A    | 3040SB0002A | BASE           | MAIN(CDM-H1303)                |
| 9   | FFH-818A    | 3040SB0003A | BASE           | PU(CDM-H1303)                  |
| 10  | FFH-818A    | 3040SB0003A | BASE           | PU(CDM-H1303)                  |
| 11  | FFH-818A    | 3040SB0004B | BASE           | PU ASSY(CDM-H1313)             |
| 12  | FFH-818A    | 3090S-0003F | CABINET        | TOP(FFHK680V/390V,SILVER)      |
| 13  | FFH-818A    | 3090S-0003F | CABINET        | TOP(FFHK680V/390V,SILVER)      |
| 14  | FFH-818A    | 3140S-P907A | CHASSIS        | MAIN (FFH-585)                 |
| 15  | FFH-818A    | 3140S-P907A | CHASSIS        | MAIN (FFH-585)                 |
| 16  | FFH-818A    | 328-190B    | BAND NYLON     | BAND TIE                       |
| 17  | FFH-818A    | 328-190B    | BAND NYLON     | BAND TIE                       |
| 18  | FFH-818A    | 3390SB0001A | TRAY           | LOADING (CDM-H1303)            |
| 19  | FFH-818A    | 3390SB0001A | TRAY           | LOADING (CDM-H1303)            |
| 20  | FFH-818A    | 3390SB0002A | TRAY           | DISC (CDM-H1303)               |
| 21  | FFH-818A    | 3390SB0002A | TRAY           | DISC (CDM-H1303)               |
| 22  | FFH-818A    | 3508SB0001A | DECORATION     | MDSS (FFH-313/315/513/515/717/ |
| 23  | FFH-818A    | 3508SB0001A | DECORATION     | MDSS (FFH-313/315/513/515/717/ |
| 24  | FFH-818A    | 353-025C    | SCREW          | SPECIAL 3X10 FBK               |
| 25  | FFH-818A    | 353-025C    | SCREW          | SPECIAL 3X10 FBK               |
| 26  | FFH-818A    | 353-025G    | SCREW          | TAPTITE 3X10 FZMY              |
| 27  | FFH-818A    | 353-025G    | SCREW          | TAPTITE 3X10 FZMY              |
| 28  | FFH-818A    | 353-025HAAA | SCREW          | TAPTITE 3X16 FZMY              |
| 29  | FFH-818A    | 353-025HAAA | SCREW          | TAPTITE 3X16 FZMY              |
| 30  | FFH-818A    | 3550SC0008C | COVER          | FRONT(DEMO F-717/818)          |
| 31  | FFH-818A    | 3550SC0008C | COVER          | FRONT(DEMO F-717/818)          |
| 32  | FFH-818A    | 3580SCA346A | DOOR           | CST                            |
| 33  | FFH-818A    | 3580SCA346A | DOOR           | CST                            |
| 34  | FFH-818A    | 3580SCA347A | DOOR           | CST RIGHT                      |
| 35  | FFH-818A    | 3580SCA347A | DOOR           | CST RIGHT                      |
| 36  | FFH-818A    | 3580SCC878B | DOOR           | CD(FFH-515/717)                |
| 37  | FFH-818A    | 3580SCC878B | DOOR           | CD(FFH-515/717)                |
| 38  | FFH-818A    | 3680SC0004A | LENS           | JOG(FFH-717)                   |
| 39  | FFH-818A    | 3680SC0004A | LENS           | JOG(FFH-717)                   |
| 40  | FFH-818A    | 3680SC0005A | LENS           | SET(FFH-717)                   |
| 41  | FFH-818A    | 3680SC0005A | LENS           | SET(FFH-717)                   |
| 42  | FFH-818A    | 3720S-0036D | PANEL          | SIDE(FFHK588VABL2-Z,SILVER)    |
| 43  | FFH-818A    | 3720S-0036D | PANEL          | SIDE(FFHK588VABL2-Z,SILVER)    |
| 44  | FFH-818A    | 3720SCM038A | PANEL          | FRONT FFH-313                  |
| 45  | FFH-818A    | 3720SCM038A | PANEL          | FRONT FFH-313                  |
| 46  | FFH-818A    | 3720SCM043A | PANEL          | BACK FFHK818AAL3 LGEMS         |
| 47  | FFH-818A    | 3790SCM056E | WINDOW         | CST-L(FFH-818)                 |
| 48  | FFH-818A    | 3790SCM056E | WINDOW         | CST-L(FFH-818)                 |
| 49  | FFH-818A    | 3790SCM057A | WINDOW         | CST-R FFH-313                  |
| 50  | FFH-818A    | 3790SCM057A | WINDOW         | CST-R FFH-313                  |
| 51  | FFH-818A    | 3790SCM058A | WINDOW         | AMP FFH-313                    |
| 52  | FFH-818A    | 3790SCM058A | WINDOW         | AMP FFH-313                    |
| 53  | FFH-818A    | 3790SCM059B | WINDOW         | CD (LG RED BADGE HOLE)         |
| 54  | FFH-818A    | 3790SCM059B | WINDOW         | CD (LG RED BADGE HOLE)         |
| 55  | FFH-818A    | 3828SXD018U | MANUAL,CHINA   | F-515/717/818 ENG/SPA (9908) L |
| 56  | FFH-818A    | 384-535A    | GUIDE          | EJECT AY(FK-535 BD1)DUAL       |
| 57  | FFH-818A    | 384-535A    | GUIDE          | EJECT AY(FK-535 BD1)DUAL       |
| 58  | FFH-818A    | 3846S-0205A | MARK           | BADGE LG (RED+SILVER)          |
| 59  | FFH-818A    | 3846S-0205A | MARK           | BADGE LG (RED+SILVER)          |
| 60  | FFH-818A    | 3850SCN025N | LABEL,STREAMER | CST-L "MDSS" (FFH-8800/5500)   |
| 61  | FFH-818A    | 3850SCN025N | LABEL,STREAMER | CST-L "MDSS" (FFH-8800/5500)   |
| 62  | FFH-818A    | 3850SCN042B | LABEL          | FFH-717 RIGHT DOOR             |
| 63  | FFH-818A    | 3850SCN042B | LABEL          | FFH-717 RIGHT DOOR             |
| 64  | FFH-818A    | 3890SCC010D | BOX            | FFH-818A LGEMS LG              |
| 65  | FFH-818A    | 4370SB0019A | SHAFT          | TRAY (CDM-H1303)               |
| 66  | FFH-818A    | 4370SB0019A | SHAFT          | TRAY (CDM-H1303)               |
| 67  | FFH-818A    | 4371SB0002A | SHAFT ASSY     | TRAY (CDM-H1303)               |
| 68  | FFH-818A    | 4371SB0002A | SHAFT ASSY     | TRAY (CDM-H1303)               |

|     |          |             |                |                                 |
|-----|----------|-------------|----------------|---------------------------------|
| 69  | FFH-818A | 4400SB0001A | BELT           | MAIN(CDM-H1303)                 |
| 70  | FFH-818A | 4400SB0001A | BELT           | MAIN(CDM-H1303)                 |
| 71  | FFH-818A | 4400SB0001B | BELT           | TRAY(CDM-H1303)                 |
| 72  | FFH-818A | 4400SB0001B | BELT           | TRAY(CDM-H1303)                 |
| 73  | FFH-818A | 4404SBA001B | MECHANISM      | CDM-H1313 SHIN HEUNG            |
| 74  | FFH-818A | 4404SBA002A | MECHANISM      | MECHANISM TRAY(CDMH1303)        |
| 75  | FFH-818A | 4404SBA002A | MECHANISM      | MECHANISM TRAY(CDMH1303)        |
| 76  | FFH-818A | 4405SBE001B | MECHANISM ASSY | CDM-H1313 SHIN HEUNG            |
| 77  | FFH-818A | 4405SCE003A | MECHANISM ASSY | CDM-H1313 SHIN HEUNG            |
| 78  | FFH-818A | 4405SCE003A | MECHANISM ASSY | CDM-H1313 SHIN HEUNG            |
| 79  | FFH-818A | 442-085E    | SPRING         | SPRING-DOOR (F-101)50D L=35     |
| 80  | FFH-818A | 442-085E    | SPRING         | SPRING-DOOR (F-101)50D L=35     |
| 81  | FFH-818A | 442-577B    | SPRING         | SPRING CST-PACK(H=7.5)          |
| 82  | FFH-818A | 442-577B    | SPRING         | SPRING CST-PACK(H=7.5)          |
| 83  | FFH-818A | 447-938K    | CUSHION        | CUSHION RUBBER(MTR-400/500)     |
| 84  | FFH-818A | 447-938K    | CUSHION        | CUSHION RUBBER(MTR-400/500)     |
| 85  | FFH-818A | 447-938K    | CUSHION        | CUSHION RUBBER(MTR-400/500)     |
| 86  | FFH-818A | 4470SB0003A | GEAR           | PULLEY (CDM-H1303)              |
| 87  | FFH-818A | 4470SB0003A | GEAR           | PULLEY (CDM-H1303)              |
| 88  | FFH-818A | 4470SB0004A | GEAR           | LOADING (CDM-H1303)             |
| 89  | FFH-818A | 4470SB0004A | GEAR           | LOADING (CDM-H1303)             |
| 90  | FFH-818A | 4470SB0005A | GEAR           | MAIN (CDM-H1303)                |
| 91  | FFH-818A | 4470SB0005A | GEAR           | MAIN (CDM-H1303)                |
| 92  | FFH-818A | 4470SB0005A | GEAR           | MAIN (CDM-H1303)                |
| 93  | FFH-818A | 4470SB0006A | GEAR           | PU DOWN (CDM-H1303)             |
| 94  | FFH-818A | 4470SB0006A | GEAR           | PU DOWN (CDM-H1303)             |
| 95  | FFH-818A | 4470SB0007A | GEAR           | PU UP-A (CDM-H1303)             |
| 96  | FFH-818A | 4470SB0007A | GEAR           | PU UP-A (CDM-H1303)             |
| 97  | FFH-818A | 4470SB0008A | GEAR           | PU UP-B (CDM-H1303)             |
| 98  | FFH-818A | 4470SB0008A | GEAR           | PU UP-B (CDM-H1303)             |
| 99  | FFH-818A | 4470SB0009A | GEAR           | WORM (CDM-H1303)                |
| 100 | FFH-818A | 4470SB0009A | GEAR           | WORM (CDM-H1303)                |
| 101 | FFH-818A | 4470SB0010A | GEAR           | TRAY A (CDM-H1303)              |
| 102 | FFH-818A | 4470SB0010A | GEAR           | TRAY A (CDM-H1303)              |
| 103 | FFH-818A | 4470SB0011A | GEAR           | TRAY B (CDM-H1303)              |
| 104 | FFH-818A | 4470SB0011A | GEAR           | TRAY B (CDM-H1303)              |
| 105 | FFH-818A | 4471SB0001A | GEAR ASSY      | GEAR CAM ASSY                   |
| 106 | FFH-818A | 4471SB0001A | GEAR ASSY      | GEAR CAM ASSY                   |
| 107 | FFH-818A | 4560SB0001A | PULLEY         | MOTOR (CDM-H1303)               |
| 108 | FFH-818A | 4560SB0001A | PULLEY         | MOTOR (CDM-H1303)               |
| 109 | FFH-818A | 4560SB0001A | PULLEY         | MOTOR (CDM-H1303)               |
| 110 | FFH-818A | 4560SB0001A | PULLEY         | MOTOR (CDM-H1303)               |
| 111 | FFH-818A | 4560SB0002A | PULLEY         | TRAY (CDM-H1303)                |
| 112 | FFH-818A | 4560SB0002A | PULLEY         | TRAY (CDM-H1303)                |
| 113 | FFH-818A | 4680SBP001A | MOTOR(MECH)    | PULLEY ASSY (CDM-H1303)         |
| 114 | FFH-818A | 4680SBP001A | MOTOR(MECH)    | PULLEY ASSY (CDM-H1303)         |
| 115 | FFH-818A | 4680SBP001A | MOTOR(MECH)    | PULLEY ASSY (CDM-H1303)         |
| 116 | FFH-818A | 4680SBP002A | MOTOR(MECH)    | ASSY TRAY                       |
| 117 | FFH-818A | 4680SBP002A | MOTOR(MECH)    | ASSY TRAY                       |
| 118 | FFH-818A | 4810S-0901A | BRACKET        | IC(FM-95M)                      |
| 119 | FFH-818A | 4810S-0901A | BRACKET        | IC(FM-95M)                      |
| 120 | FFH-818A | 4860SB0002A | CLAMP          | CLAMP ASSY                      |
| 121 | FFH-818A | 4860SB0002A | CLAMP          | CLAMP ASSY                      |
| 122 | FFH-818A | 4900SB0001A | DAMPER         | DAMPER RUBBER                   |
| 123 | FFH-818A | 4900SB0001A | DAMPER         | DAMPER RUBBER                   |
| 124 | FFH-818A | 4901SK0001C | DAMPER ASSY    | GEAR DAMPER AY(WH+WH;G331)      |
| 125 | FFH-818A | 4901SK0001C | DAMPER ASSY    | GEAR DAMPER AY(WH+WH;G331)      |
| 126 | FFH-818A | 4920S-E007A | HEAT SINK      | MAIN(F-680V/390V)               |
| 127 | FFH-818A | 4920S-E007A | HEAT SINK      | MAIN(F-680V/390V)               |
| 128 | FFH-818A | 4930SCM007A | HOLDER         | FIP(N1V/N2V)                    |
| 129 | FFH-818A | 4930SCM007A | HOLDER         | FIP(N1V/N2V)                    |
| 130 | FFH-818A | 4940SC0051A | KNOB           | TUNING (FFH-717)                |
| 131 | FFH-818A | 4940SC0051A | KNOB           | TUNING (FFH-717)                |
| 132 | FFH-818A | 4940SC0052B | KNOB           | PLAY&FUNC(NON AUTO REVERSE F-7) |
| 133 | FFH-818A | 4940SC0052B | KNOB           | PLAY&FUNC(NON AUTO REVERSE F-7) |
| 134 | FFH-818A | 4940SC0053A | SDGZKNOB       | JOG(FFH-717)                    |
| 135 | FFH-818A | 4940SC0053A | SDGZKNOB       | JOG(FFH-717)                    |
| 136 | FFH-818A | 4940SC0055A | KNOB           | VOL (F-313/515/717)             |
| 137 | FFH-818A | 4940SC0055A | KNOB           | VOL (F-313/515/717)             |
| 138 | FFH-818A | 4970SBN002A | SPRING         | CAM (CDM-H1303)                 |

|     |          |                    |                      |                                |
|-----|----------|--------------------|----------------------|--------------------------------|
| 139 | FFH-818A | <b>4970SBN002A</b> | SPRING               | CAM (CDM-H1303)                |
| 140 | FFH-818A | <b>4974SB0001A</b> | GUIDE                | CAM (CDM-H1303)                |
| 141 | FFH-818A | <b>4974SB0001A</b> | GUIDE                | CAM (CDM-H1303)                |
| 142 | FFH-818A | <b>4974SB0003A</b> | GUIDE                | WORM (CDM-H1303)               |
| 143 | FFH-818A | <b>4974SB0003A</b> | GUIDE                | WORM (CDM-H1303)               |
| 144 | FFH-818A | <b>5010SCT001A</b> | ANTENNA              | FM T , 533-010K LGEHZ LOCAL    |
| 145 | FFH-818A | <b>5010SCT001A</b> | ANTENNA              | FM T , 533-010K LGEHZ LOCAL    |
| 146 | FFH-818A | <b>563-801D</b>    | CONNECTOR ASSY       | C,AY GSIL-S06X2 157/#28 250(S) |
| 147 | FFH-818A | <b>563-801D</b>    | CONNECTOR ASSY       | C,AY GSIL-S06X2 157/#28 250(S) |
| 148 | FFH-818A | <b>563-935E</b>    | CONNECTOR ASSY       | C,AY GS IL-G03X2 (I) 250       |
| 149 | FFH-818A | <b>563-935E</b>    | CONNECTOR ASSY       | C,AY GS IL-G03X2 (I) 250       |
| 150 | FFH-818A | <b>563-935I</b>    | CONNECTOR ASSY       | C,AY GS IL-G08/06 (I,G) 240    |
| 151 | FFH-818A | <b>563-935I</b>    | CONNECTOR ASSY       | C,AY GS IL-G08/06 (I,G) 240    |
| 152 | FFH-818A | <b>632N218E</b>    | COIL,ANTENNA         | AM LOOP LGEHZ LOCAL (=218E)    |
| 153 | FFH-818A | <b>632N218E</b>    | COIL,ANTENNA         | AM LOOP LGEHZ LOCAL (=218E)    |
| 154 | FFH-818A | <b>6631SBE001A</b> | CONNECTOR ASSY       | P=2.0 , GIL-S02/S02 UL1571     |
| 155 | FFH-818A | <b>6631SBE001A</b> | CONNECTOR ASSY       | P=2.0 , GIL-S02/S02 UL1571     |
| 156 | FFH-818A | <b>6631SBE001B</b> | CONNECTOR ASSY       | P=2.0 ,GIL-S04/S04 UL 1571     |
| 157 | FFH-818A | <b>6631SBE001B</b> | CONNECTOR ASSY       | P=2.0 ,GIL-S04/S04 UL 1571     |
| 158 | FFH-818A | <b>6631SBE001C</b> | CONNECTOR ASSY       | P=2.0 ,GIL-S05/S05 UL1571      |
| 159 | FFH-818A | <b>6631SBE001C</b> | CONNECTOR ASSY       | P=2.0 ,GIL-S05/S05 UL1571      |
| 160 | FFH-818A | <b>6710SCDC21A</b> | REMOTE CONTROLLER    | 25KEY DONGDO FFH-515/717 AUTO  |
| 161 | FFH-818A | <b>6710SCDC21A</b> | REMOTE CONTROLLER    | 25KEY DONGDO FFH-515/717 AUTO  |
| 162 | FFH-818A | <b>6716R-A001A</b> | PICK UP              | KSS-880 PICK UP OF K           |
| 163 | FFH-818A | <b>6716R-A001B</b> | PICK UP              | X-2646-550-(1) SL MO           |
| 164 | FFH-818A | <b>6716R-A001C</b> | PICK UP              | 1-564-722-(11) CONNE           |
| 165 | FFH-818A | <b>6716R-A001D</b> | PICK UP              | 1-674-388-(11) MOTOR           |
| 166 | FFH-818A | <b>6716R-A001E</b> | PICK UP              | 1-771-642-(11) LEAF            |
| 167 | FFH-818A | <b>6716R-A001F</b> | PICK UP              | 2-647-407-(01) GEAR            |
| 168 | FFH-818A | <b>6716R-A001G</b> | PICK UP              | 2-647-408-(02) GEAR            |
| 169 | FFH-818A | <b>6716R-A001H</b> | PICK UP              | 2-647-415-(01) SHUTT           |
| 170 | FFH-818A | <b>6716R-A001J</b> | PICK UP              | 2-647-732-(01) NS SL           |
| 171 | FFH-818A | <b>6716R-A001K</b> | PICK UP              | 2-647-742-(01) SPRIN           |
| 172 | FFH-818A | <b>6716R-A001L</b> | PICK UP              | 3-321-813-(11) POLIW           |
| 173 | FFH-818A | <b>6716R-A001M</b> | PICK UP              | 2-647-416-(02) SPRIN           |
| 174 | FFH-818A | <b>6716R-A001N</b> | PICK UP              | 7-621-255-(15) SCREW           |
| 175 | FFH-818A | <b>672-001AAAA</b> | WIREW SHIELD         | TIN WIRE                       |
| 176 | FFH-818A | <b>672-001AAAA</b> | WIREW SHIELD         | TIN WIRE                       |
| 177 | FFH-818A | <b>6756SBX001A</b> | CD MECHANISM PARTS   | SCREW 2.6X10X10XFZMY CDM-H813  |
| 178 | FFH-818A | <b>6756SBX001A</b> | CD MECHANISM PARTS   | SCREW 2.6X10X10XFZMY CDM-H813  |
| 179 | FFH-818A | <b>6768SCAS01B</b> | DECK MECHANISM PARTS | MT90-21010J ARM ASSY S/S       |
| 180 | FFH-818A | <b>6768SCAS01B</b> | DECK MECHANISM PARTS | MT90-21010J ARM ASSY S/S       |
| 181 | FFH-818A | <b>6768SCAS03A</b> | DECK MECHANISM PARTS | MT72-00022A ARM S/S PINCH-F AD |
| 182 | FFH-818A | <b>6768SCAS03A</b> | DECK MECHANISM PARTS | MT72-00022A ARM S/S PINCH-F AD |
| 183 | FFH-818A | <b>6768SCBS03B</b> | DECK MECHANISM PARTS | 6602-001013 BELT/FELT S/S MAIN |
| 184 | FFH-818A | <b>6768SCBS03C</b> | DECK MECHANISM PARTS | 6602-1038 BELT/FELT S/S MAIN A |
| 185 | FFH-818A | <b>6768SCDS03A</b> | DECK MECHANISM PARTS | MT72-00069A LEVER S/S EJECT AD |
| 186 | FFH-818A | <b>6768SCES03A</b> | DECK MECHANISM PARTS | MT91-04012G HEAD ASSY S/S ADR2 |
| 187 | FFH-818A | <b>6768SCES03B</b> | DECK MECHANISM PARTS | MT91-04012F HEAD ASSY S/S ADR2 |
| 188 | FFH-818A | <b>6768SCES03B</b> | DECK MECHANISM PARTS | MT91-04012F HEAD ASSY S/S ADR2 |
| 189 | FFH-818A | <b>6768SCHS01A</b> | DECK MECHANISM PARTS | MT59-00044A(TC881CB) HEAD S/S  |
| 190 | FFH-818A | <b>6768SCHS03A</b> | DECK MECHANISM PARTS | MT59-00043A(TC2132) HEAD S/S H |
| 191 | FFH-818A | <b>6768SCJS02A</b> | DECK MECHANISM PARTS | MT91-01011P PULLEY/FLYWHEEL AS |
| 192 | FFH-818A | <b>6768SCOS01A</b> | DECK MECHANISM PARTS | MT91-15012M MOTOR ASSY S/S     |
| 193 | FFH-818A | <b>6768SCOS01A</b> | DECK MECHANISM PARTS | MT91-15012M MOTOR ASSY S/S     |
| 194 | FFH-818A | <b>6768SCQS01A</b> | DECK MECHANISM PARTS | 3101-000174 MOTOR S/S YD2BH AD |
| 195 | FFH-818A | <b>6768SCQS01A</b> | DECK MECHANISM PARTS | 3101-000174 MOTOR S/S YD2BH AD |
| 196 | FFH-818A | <b>6768SCRS01A</b> | DECK MECHANISM PARTS | MT73-00010A ROLLER S/S PINCH A |
| 197 | FFH-818A | <b>6768SCSS02A</b> | DECK MECHANISM PARTS | 6107-000353 SPRING S/S PINCH-F |
| 198 | FFH-818A | <b>6768SCTS01B</b> | DECK MECHANISM PARTS | 3404-000306 SWITCH S/S         |
| 199 | FFH-818A | <b>6768SCTS01B</b> | DECK MECHANISM PARTS | 3404-000306 SWITCH S/S         |
| 200 | FFH-818A | <b>6768SCVS02A</b> | DECK MECHANISM PARTS | MT75-00049A SOLENOID S/S ADR24 |
| 201 | FFH-818A | <b>6850SCHT24A</b> | CABLE,FLAT           | P=1.25 FFC UL2896 20 240 A TYP |
| 202 | FFH-818A | <b>6850SCHT24A</b> | CABLE,FLAT           | P=1.25 FFC UL2896 20 240 A TYP |
| 203 | FFH-818A | <b>6871S-38KAC</b> | PWB(PCB) ASSY,TOTAL  | F-313/515/717 SONY D           |
| 204 | FFH-818A | <b>6871S-40WDC</b> | PWB(PCB) ASSY,TOTAL  | FFH-818 NEW MD FRONT           |
| 205 | FFH-818A | <b>6871S-427AC</b> | PWB(PCB) ASSY,TOTAL  | FFH-818 MAIN+POWER             |
| 206 | FFH-818A | <b>6871SA427AC</b> | PWB(PCB) ASSY,AMP    | FFH-818 MAIN                   |
| 207 | FFH-818A | <b>6871SA427AC</b> | PWB(PCB) ASSY,AMP    | FFH-818 MAIN                   |
| 208 | FFH-818A | <b>6871SB21RAD</b> | PWB(PCB) ASSY        | 3CH M/D U/D/O/C PWB ASSY       |

|              |                    |                               |                                |
|--------------|--------------------|-------------------------------|--------------------------------|
| 209 FFH-818A | <b>6871SB21RAD</b> | PWB(PCB) ASSY                 | 3CH M/D U/D/O/C PWB ASSY       |
| 210 FFH-818A | <b>6871SC21RAD</b> | PWB(PCB) ASSY                 | 3CH M/D OPEN PWB ASSY          |
| 211 FFH-818A | <b>6871SC21RAD</b> | PWB(PCB) ASSY                 | 3CH M/D OPEN PWB ASSY          |
| 212 FFH-818A | <b>6871SD21RAD</b> | PWB(PCB) ASSY                 | 3CH M/D CAM PWB ASSY           |
| 213 FFH-818A | <b>6871SD21RAD</b> | PWB(PCB) ASSY                 | 3CH M/D CAM PWB ASSY           |
| 214 FFH-818A | <b>6871SF21RAD</b> | PWB(PCB) ASSY                 | 3CH M/D SENSOR PWB ASSY        |
| 215 FFH-818A | <b>6871SF21RAD</b> | PWB(PCB) ASSY                 | 3CH M/D SENSOR PWB ASSY        |
| 216 FFH-818A | <b>6871SP427AC</b> | PWB(PCB) ASSY,POWER           | FFH-818 POWER                  |
| 217 FFH-818A | <b>796-003B</b>    | MICA                          | MICA(20X24)                    |
| 218 FFH-818A | <b>796-003B</b>    | MICA                          | MICA(20X24)                    |
| 219 FFH-818A | <b>88H-0002</b>    | CD MECHA PARTS                | 3X9X12FZMY                     |
| 220 FFH-818A | <b>88H-0002</b>    | CD MECHA PARTS                | 3X9X12FZMY                     |
| 221 FFH-818A | <b>L82+H12S</b>    | LEAD SET                      | FLAT UL2877#26-08 120 S/G-G    |
| 222 FFH-818A | <b>L82+H12S</b>    | LEAD SET                      | FLAT UL2877#26-08 120 S/G-G    |
| 223 FFH-818A | <b>L82+J18S</b>    | LEAD SET                      | FLAT UL2878#26-10 180 S/G-G    |
| 224 FFH-818A | <b>L82+J18S</b>    | LEAD SET                      | FLAT UL2878#26-10 180 S/G-G    |
| 225 FFH-818A | <b>L82+J30S</b>    | LEAD SET                      | FLAT UL2878#26-10 300 S/G-G    |
| 226 FFH-818A | <b>L82+J30S</b>    | LEAD SET                      | FLAT UL2878#26-10 300 S/G-G    |
| 227 FFH-818A | <b>L82+L12S</b>    | LEAD SET                      | P=2.0 UL2877#26 SA-SC 12 120 S |
| 228 FFH-818A | <b>L82+L12S</b>    | LEAD SET                      | P=2.0 UL2877#26 SA-SC 12 120 S |
| 229 FFH-818A | <b>88H-0002</b>    | CD MECHA PARTS                | 3X9X12FZMY                     |
| 230 FFH-818A | <b>88H-0002</b>    | CD MECHA PARTS                | 3X9X12FZMY                     |
| 231 FFH-818A | <b>353-025C</b>    | SCREW                         | SPECIAL 3X10 FBK               |
| 232 FFH-818A | <b>353-025C</b>    | SCREW                         | SPECIAL 3X10 FBK               |
| 233 FFH-818A | <b>353-025TAAA</b> | SCREW                         | TAPTITE 3X10.5 FZMY            |
| 234 FFH-818A | <b>353-025TAAA</b> | SCREW                         | TAPTITE 3X10.5 FZMY            |
| 235 FFH-818A | <b>353-025C</b>    | SCREW                         | SPECIAL 3X10 FBK               |
| 236 FFH-818A | <b>353-025C</b>    | SCREW                         | SPECIAL 3X10 FBK               |
| 237 FFH-818A | <b>353-025TAAA</b> | SCREW                         | TAPTITE 3X10.5 FZMY            |
| 238 FFH-818A | <b>353-025TAAA</b> | SCREW                         | TAPTITE 3X10.5 FZMY            |
| 239 FFH-818A | <b>4810S-7829A</b> | BRACKET                       | CD MOTOR(0.3T)NEW-MD           |
| 240 FFH-818A | <b>4810S-7829A</b> | BRACKET                       | CD MOTOR(0.3T)NEW-MD           |
| 241 FFH-818A | <b>4810S-7829A</b> | BRACKET                       | CD MOTOR(0.3T)NEW-MD           |
| 242 FFH-818A | <b>4810S-7829A</b> | BRACKET                       | CD MOTOR(0.3T)NEW-MD           |
| 243 FFH-818A | <b>353-025C</b>    | SCREW                         | SPECIAL 3X10 FBK               |
| 244 FFH-818A | <b>353-025C</b>    | SCREW                         | SPECIAL 3X10 FBK               |
| 245 FFH-818A | <b>353-025TAAA</b> | SCREW                         | TAPTITE 3X10.5 FZMY            |
| 246 FFH-818A | <b>353-025TAAA</b> | SCREW                         | TAPTITE 3X10.5 FZMY            |
| 247 FFH-818A | <b>0CN1040K949</b> | CAPACITOR TUBULA(HIGH DIELE)  | 0.1M 50V Z F TA52              |
| 248 FFH-818A | <b>0CN1040K949</b> | CAPACITOR TUBULA(HIGH DIELE)  | 0.1M 50V Z F TA52              |
| 249 FFH-818A | <b>0CK1040K945</b> | CAPACITOR,CERAMIC(HIGH DIELE) | 0.1M 50V Z F TS                |
| 250 FFH-818A | <b>0CK1040K945</b> | CAPACITOR,CERAMIC(HIGH DIELE) | 0.1M 50V Z F TS                |
| 251 FFH-818A | <b>0CN1030F679</b> | CAPACITOR TUBULA(HIGH DIELE)  | 0.01MF 16V M Y TA52            |
| 252 FFH-818A | <b>0CN1030F679</b> | CAPACITOR TUBULA(HIGH DIELE)  | 0.01MF 16V M Y TA52            |
| 253 FFH-818A | <b>0CK2230K945</b> | CAPACITOR CERAMIC(HIGH DIELE) | 0.022M 50V Z F TS              |
| 254 FFH-818A | <b>0CK2230K945</b> | CAPACITOR CERAMIC(HIGH DIELE) | 0.022M 50V Z F TS              |
| 255 FFH-818A | <b>0CE4766F618</b> | CAPACITOR,ELECTROLYTIC        | 47M SMS 16V M FL TP(5)         |
| 256 FFH-818A | <b>0CE4766F618</b> | CAPACITOR,ELECTROLYTIC        | 47M SMS 16V M FL TP(5)         |
| 257 FFH-818A | <b>0CN2230H949</b> | CAPACITOR TUBULA(HIGH DIELE)  | 22000P 25V Z FTA52             |
| 258 FFH-818A | <b>0CN2230H949</b> | CAPACITOR TUBULA(HIGH DIELE)  | 22000P 25V Z FTA52             |
| 259 FFH-818A | <b>0CE1066K618</b> | CAPACITOR,ELECTROLYTIC        | 10M SMS 50V M FM5 TP(5)        |
| 260 FFH-818A | <b>0CE1066K618</b> | CAPACITOR,ELECTROLYTIC        | 10M SMS 50V M FM5 TP(5)        |
| 261 FFH-818A | <b>0CE1056K618</b> | CAPACITOR,ELECTROLYTIC        | 1.0M SMS 50V M FL TP(5)        |
| 262 FFH-818A | <b>0CE1056K618</b> | CAPACITOR,ELECTROLYTIC        | 1.0M SMS 50V M FL TP(5)        |
| 263 FFH-818A | <b>0CE1066K618</b> | CAPACITOR,ELECTROLYTIC        | 10M SMS 50V M FM5 TP(5)        |
| 264 FFH-818A | <b>0CE1066K618</b> | CAPACITOR,ELECTROLYTIC        | 10M SMS 50V M FM5 TP(5)        |
| 265 FFH-818A | <b>0CE1066K618</b> | CAPACITOR,ELECTROLYTIC        | 10M SMS 50V M FM5 TP(5)        |
| 266 FFH-818A | <b>0CE1066K618</b> | CAPACITOR,ELECTROLYTIC        | 10M SMS 50V M FM5 TP(5)        |
| 267 FFH-818A | <b>0CQ3331N409</b> | CAPACITOR POLYESTER(MYLAR)    | 0.033U 100V J POLY TP          |
| 268 FFH-818A | <b>0CQ3331N409</b> | CAPACITOR POLYESTER(MYLAR)    | 0.033U 100V J POLY TP          |
| 269 FFH-818A | <b>0CQ3331N409</b> | CAPACITOR POLYESTER(MYLAR)    | 0.033U 100V J POLY TP          |
| 270 FFH-818A | <b>0CQ3331N409</b> | CAPACITOR POLYESTER(MYLAR)    | 0.033U 100V J POLY TP          |
| 271 FFH-818A | <b>0CE1056K618</b> | CAPACITOR,ELECTROLYTIC        | 1.0M SMS 50V M FL TP(5)        |
| 272 FFH-818A | <b>0CE1056K618</b> | CAPACITOR,ELECTROLYTIC        | 1.0M SMS 50V M FL TP(5)        |
| 273 FFH-818A | <b>0CN3310K519</b> | CAPACITOR TUBULA(HIGH DIELE)  | 330P 50V K B TA52              |
| 274 FFH-818A | <b>0CN3310K519</b> | CAPACITOR TUBULA(HIGH DIELE)  | 330P 50V K B TA52              |
| 275 FFH-818A | <b>0CN1040K949</b> | CAPACITOR TUBULA(HIGH DIELE)  | 0.1M 50V Z F TA52              |
| 276 FFH-818A | <b>0CN1040K949</b> | CAPACITOR TUBULA(HIGH DIELE)  | 0.1M 50V Z F TA52              |
| 277 FFH-818A | <b>0CE3356K618</b> | CAPACITOR,ELECTROLYTIC        | 3.3M SMS 50V M FL TP(5)        |
| 278 FFH-818A | <b>0CE3356K618</b> | CAPACITOR,ELECTROLYTIC        | 3.3M SMS 50V M FL TP(5)        |

|     |          |                    |                               |                     |       |
|-----|----------|--------------------|-------------------------------|---------------------|-------|
| 279 | FFH-818A | <b>OCE4766F618</b> | CAPACITOR,ELECTROLYTIC        | 47M SMS 16V M FL    | TP(5) |
| 280 | FFH-818A | <b>OCE4766F618</b> | CAPACITOR,ELECTROLYTIC        | 47M SMS 16V M FL    | TP(5) |
| 281 | FFH-818A | <b>OCX2000K419</b> | CAPACITOR TUBULA(T.C)         | 20P 50V J C TA52    |       |
| 282 | FFH-818A | <b>OCX2000K419</b> | CAPACITOR TUBULA(T.C)         | 20P 50V J C TA52    |       |
| 283 | FFH-818A | <b>OCE3366F618</b> | CAPACITOR,ELECTROLYTIC        | 33M SMS 16V M FL    | TP(5) |
| 284 | FFH-818A | <b>OCE3366F618</b> | CAPACITOR,ELECTROLYTIC        | 33M SMS 16V M FL    | TP(5) |
| 285 | FFH-818A | <b>OCN2230H949</b> | CAPACITOR TUBULA(HIGH DIELE)  | 22000P 25V Z FTA52  |       |
| 286 | FFH-818A | <b>OCN2230H949</b> | CAPACITOR TUBULA(HIGH DIELE)  | 22000P 25V Z FTA52  |       |
| 287 | FFH-818A | <b>OCK4730K945</b> | CAPACITOR CERAMIC(HIGH DIELE) | 0.047U 50V Z F TS   |       |
| 288 | FFH-818A | <b>OCK4730K945</b> | CAPACITOR CERAMIC(HIGH DIELE) | 0.047U 50V Z F TS   |       |
| 289 | FFH-818A | <b>OCN1020K519</b> | CAPACITOR TUBULA(HIGH DIELE)  | 1000P 50V K B TA52  |       |
| 290 | FFH-818A | <b>OCN1020K519</b> | CAPACITOR TUBULA(HIGH DIELE)  | 1000P 50V K B TA52  |       |
| 291 | FFH-818A | <b>OCN2220F669</b> | CAPACITOR TUBULA(HIGH DIELE)  | 2200P 16V M X TA52  |       |
| 292 | FFH-818A | <b>OCN2220F669</b> | CAPACITOR TUBULA(HIGH DIELE)  | 2200P 16V M X TA52  |       |
| 293 | FFH-818A | <b>OCK4730K945</b> | CAPACITOR CERAMIC(HIGH DIELE) | 0.047U 50V Z F TS   |       |
| 294 | FFH-818A | <b>OCK4730K945</b> | CAPACITOR CERAMIC(HIGH DIELE) | 0.047U 50V Z F TS   |       |
| 295 | FFH-818A | <b>OCX3000K409</b> | CAPACITOR TUBULA(T.C)         | 30P 50V J SL TA52   |       |
| 296 | FFH-818A | <b>OCX3000K409</b> | CAPACITOR TUBULA(T.C)         | 30P 50V J SL TA52   |       |
| 297 | FFH-818A | <b>OCX3000K409</b> | CAPACITOR TUBULA(T.C)         | 30P 50V J SL TA52   |       |
| 298 | FFH-818A | <b>OCX3000K409</b> | CAPACITOR TUBULA(T.C)         | 30P 50V J SL TA52   |       |
| 299 | FFH-818A | <b>OCN1020K519</b> | CAPACITOR TUBULA(HIGH DIELE)  | 1000P 50V K B TA52  |       |
| 300 | FFH-818A | <b>OCN1020K519</b> | CAPACITOR TUBULA(HIGH DIELE)  | 1000P 50V K B TA52  |       |
| 301 | FFH-818A | <b>OCE2276F618</b> | CAPACITOR,ELECTROLYTIC        | 220M SMS 16V M FM5  | TP(5) |
| 302 | FFH-818A | <b>OCE2276F618</b> | CAPACITOR,ELECTROLYTIC        | 220M SMS 16V M FM5  | TP(5) |
| 303 | FFH-818A | <b>OCN2230H949</b> | CAPACITOR TUBULA(HIGH DIELE)  | 22000P 25V Z FTA52  |       |
| 304 | FFH-818A | <b>OCN2230H949</b> | CAPACITOR TUBULA(HIGH DIELE)  | 22000P 25V Z FTA52  |       |
| 305 | FFH-818A | <b>OCK4730K945</b> | CAPACITOR CERAMIC(HIGH DIELE) | 0.047U 50V Z F TS   |       |
| 306 | FFH-818A | <b>OCK4730K945</b> | CAPACITOR CERAMIC(HIGH DIELE) | 0.047U 50V Z F TS   |       |
| 307 | FFH-818A | <b>OCN2230H949</b> | CAPACITOR TUBULA(HIGH DIELE)  | 22000P 25V Z FTA52  |       |
| 308 | FFH-818A | <b>OCN2230H949</b> | CAPACITOR TUBULA(HIGH DIELE)  | 22000P 25V Z FTA52  |       |
| 309 | FFH-818A | <b>OCC1000K015</b> | CAPACITOR,CERAMIC(TEMP COMP)  | 10P 50V C NP0 TS    |       |
| 310 | FFH-818A | <b>OCC1000K015</b> | CAPACITOR,CERAMIC(TEMP COMP)  | 10P 50V C NP0 TS    |       |
| 311 | FFH-818A | <b>OCN4730K949</b> | CAPACITOR TUBULA(HIGH DIELE)  | 0.047M 50V Z F TA52 |       |
| 312 | FFH-818A | <b>OCN4730K949</b> | CAPACITOR TUBULA(HIGH DIELE)  | 0.047M 50V Z F TA52 |       |
| 313 | FFH-818A | <b>OCE4766F618</b> | CAPACITOR,ELECTROLYTIC        | 47M SMS 16V M FL    | TP(5) |
| 314 | FFH-818A | <b>OCE4766F618</b> | CAPACITOR,ELECTROLYTIC        | 47M SMS 16V M FL    | TP(5) |
| 315 | FFH-818A | <b>OCE4746K618</b> | CAPACITOR,ELECTROLYTIC        | 0.47M SMS 50V M FL  | TP(5) |
| 316 | FFH-818A | <b>OCE4746K618</b> | CAPACITOR,ELECTROLYTIC        | 0.47M SMS 50V M FL  | TP(5) |
| 317 | FFH-818A | <b>OCE4746K618</b> | CAPACITOR,ELECTROLYTIC        | 0.47M SMS 50V M FL  | TP(5) |
| 318 | FFH-818A | <b>OCE4746K618</b> | CAPACITOR,ELECTROLYTIC        | 0.47M SMS 50V M FL  | TP(5) |
| 319 | FFH-818A | <b>OCE3356K618</b> | CAPACITOR,ELECTROLYTIC        | 3.3M SMS 50V M FL   | TP(5) |
| 320 | FFH-818A | <b>OCE3356K618</b> | CAPACITOR,ELECTROLYTIC        | 3.3M SMS 50V M FL   | TP(5) |
| 321 | FFH-818A | <b>OCQ4731N409</b> | CAPACITOR POLYESTER(MYLAR)    | 0.047U 100V J POLY  | TP    |
| 322 | FFH-818A | <b>OCQ4731N409</b> | CAPACITOR POLYESTER(MYLAR)    | 0.047U 100V J POLY  | TP    |
| 323 | FFH-818A | <b>OCN2230H949</b> | CAPACITOR TUBULA(HIGH DIELE)  | 22000P 25V Z FTA52  |       |
| 324 | FFH-818A | <b>OCN2230H949</b> | CAPACITOR TUBULA(HIGH DIELE)  | 22000P 25V Z FTA52  |       |
| 325 | FFH-818A | <b>OCE1056K618</b> | CAPACITOR,ELECTROLYTIC        | 1.0M SMS 50V M FL   | TP(5) |
| 326 | FFH-818A | <b>OCE1056K618</b> | CAPACITOR,ELECTROLYTIC        | 1.0M SMS 50V M FL   | TP(5) |
| 327 | FFH-818A | <b>OCN2220F669</b> | CAPACITOR TUBULA(HIGH DIELE)  | 2200P 16V M X TA52  |       |
| 328 | FFH-818A | <b>OCN2220F669</b> | CAPACITOR TUBULA(HIGH DIELE)  | 2200P 16V M X TA52  |       |
| 329 | FFH-818A | <b>OCE1066K618</b> | CAPACITOR,ELECTROLYTIC        | 10M SMS 50V M FM5   | TP(5) |
| 330 | FFH-818A | <b>OCE1066K618</b> | CAPACITOR,ELECTROLYTIC        | 10M SMS 50V M FM5   | TP(5) |
| 331 | FFH-818A | <b>OCE1066K618</b> | CAPACITOR,ELECTROLYTIC        | 10M SMS 50V M FM5   | TP(5) |
| 332 | FFH-818A | <b>OCE1066K618</b> | CAPACITOR,ELECTROLYTIC        | 10M SMS 50V M FM5   | TP(5) |
| 333 | FFH-818A | <b>OCN3310K519</b> | CAPACITOR TUBULA(HIGH DIELE)  | 330P 50V K B TA52   |       |
| 334 | FFH-818A | <b>OCN3310K519</b> | CAPACITOR TUBULA(HIGH DIELE)  | 330P 50V K B TA52   |       |
| 335 | FFH-818A | <b>OCN1010K519</b> | CAPACITOR TUBULA(HIGH DIELE)  | 100P 50V K B TA52   |       |
| 336 | FFH-818A | <b>OCN1010K519</b> | CAPACITOR TUBULA(HIGH DIELE)  | 100P 50V K B TA52   |       |
| 337 | FFH-818A | <b>OCN1030F679</b> | CAPACITOR TUBULA(HIGH DIELE)  | 0.01MF 16V M Y TA52 |       |
| 338 | FFH-818A | <b>OCN1030F679</b> | CAPACITOR TUBULA(HIGH DIELE)  | 0.01MF 16V M Y TA52 |       |
| 339 | FFH-818A | <b>OCN2230H949</b> | CAPACITOR TUBULA(HIGH DIELE)  | 22000P 25V Z FTA52  |       |
| 340 | FFH-818A | <b>OCN2230H949</b> | CAPACITOR TUBULA(HIGH DIELE)  | 22000P 25V Z FTA52  |       |
| 341 | FFH-818A | <b>OCN2210K519</b> | CAPACITOR TUBULA(HIGH DIELE)  | 220P 50V K B TA52   |       |
| 342 | FFH-818A | <b>OCN2210K519</b> | CAPACITOR TUBULA(HIGH DIELE)  | 220P 50V K B TA52   |       |
| 343 | FFH-818A | <b>OCN2210K519</b> | CAPACITOR TUBULA(HIGH DIELE)  | 220P 50V K B TA52   |       |
| 344 | FFH-818A | <b>OCN2210K519</b> | CAPACITOR TUBULA(HIGH DIELE)  | 220P 50V K B TA52   |       |
| 345 | FFH-818A | <b>OCE2276F618</b> | CAPACITOR,ELECTROLYTIC        | 220M SMS 16V M FM5  | TP(5) |
| 346 | FFH-818A | <b>OCE2276F618</b> | CAPACITOR,ELECTROLYTIC        | 220M SMS 16V M FM5  | TP(5) |
| 347 | FFH-818A | <b>OCX8R20K519</b> | CAPACITOR TUBULA(T.C)         | 8.2P 50V K C TA52   |       |
| 348 | FFH-818A | <b>OCX8R20K519</b> | CAPACITOR TUBULA(T.C)         | 8.2P 50V K C TA52   |       |

|     |          |                    |                                |                      |       |
|-----|----------|--------------------|--------------------------------|----------------------|-------|
| 349 | FFH-818A | <b>OCE1066J618</b> | CAPACITOR,ELECTROLYTIC         | 10M SMS 35V M FL     | TP(5) |
| 350 | FFH-818A | <b>OCE1066J618</b> | CAPACITOR,ELECTROLYTIC         | 10M SMS 35V M FL     | TP(5) |
| 351 | FFH-818A | <b>OCN2230H949</b> | CAPACITOR TUBULA(HIGH DIELE)   | 22000P 25V Z FTA52   |       |
| 352 | FFH-818A | <b>OCN2230H949</b> | CAPACITOR TUBULA(HIGH DIELE)   | 22000P 25V Z FTA52   |       |
| 353 | FFH-818A | <b>OCN6810K519</b> | CAPACITOR TUBULA(HIGH DIELE)   | 680P 50V K B TA52    |       |
| 354 | FFH-818A | <b>OCN6810K519</b> | CAPACITOR TUBULA(HIGH DIELE)   | 680P 50V K B TA52    |       |
| 355 | FFH-818A | <b>OCN6810K519</b> | CAPACITOR TUBULA(HIGH DIELE)   | 680P 50V K B TA52    |       |
| 356 | FFH-818A | <b>OCN6810K519</b> | CAPACITOR TUBULA(HIGH DIELE)   | 680P 50V K B TA52    |       |
| 357 | FFH-818A | <b>ORD1002F609</b> | RESISTOR,FIXED CARBON FILM     | 10K 1/6W 5 TA52      |       |
| 358 | FFH-818A | <b>ORD1002F609</b> | RESISTOR,FIXED CARBON FILM     | 10K 1/6W 5 TA52      |       |
| 359 | FFH-818A | <b>OCN1820F669</b> | CAPACITOR TUBULA(HIGH DIELE)   | 1800P 16V M X TA52   |       |
| 360 | FFH-818A | <b>OCN1820F669</b> | CAPACITOR TUBULA(HIGH DIELE)   | 1800P 16V M X TA52   |       |
| 361 | FFH-818A | <b>OCN3320F669</b> | CAPACITOR,TUBULAR(HIGH DIELEC) | 3300PF 16V M X TA52  |       |
| 362 | FFH-818A | <b>OCN3320F669</b> | CAPACITOR,TUBULAR(HIGH DIELEC) | 3300PF 16V M X TA52  |       |
| 363 | FFH-818A | <b>OCE2256K618</b> | CAPACITOR,ELECTROLYTIC         | 2.2M SMS 50V M FL    | TP(5) |
| 364 | FFH-818A | <b>OCE2256K618</b> | CAPACITOR,ELECTROLYTIC         | 2.2M SMS 50V M FL    | TP(5) |
| 365 | FFH-818A | <b>OCN2210K519</b> | CAPACITOR TUBULA(HIGH DIELE)   | 220P 50V K B TA52    |       |
| 366 | FFH-818A | <b>OCN2210K519</b> | CAPACITOR TUBULA(HIGH DIELE)   | 220P 50V K B TA52    |       |
| 367 | FFH-818A | <b>OCE4766F618</b> | CAPACITOR,ELECTROLYTIC         | 47M SMS 16V M FL     | TP(5) |
| 368 | FFH-818A | <b>OCE4766F618</b> | CAPACITOR,ELECTROLYTIC         | 47M SMS 16V M FL     | TP(5) |
| 369 | FFH-818A | <b>OCN3310K519</b> | CAPACITOR TUBULA(HIGH DIELE)   | 330P 50V K B TA52    |       |
| 370 | FFH-818A | <b>OCN3310K519</b> | CAPACITOR TUBULA(HIGH DIELE)   | 330P 50V K B TA52    |       |
| 371 | FFH-818A | <b>OCN3310K519</b> | CAPACITOR TUBULA(HIGH DIELE)   | 330P 50V K B TA52    |       |
| 372 | FFH-818A | <b>OCN3310K519</b> | CAPACITOR TUBULA(HIGH DIELE)   | 330P 50V K B TA52    |       |
| 373 | FFH-818A | <b>OCQ1031N409</b> | CAPACITOR POLYESTER(MYLAR)     | 0.01U 100V J POLY    | TP    |
| 374 | FFH-818A | <b>OCQ1031N409</b> | CAPACITOR POLYESTER(MYLAR)     | 0.01U 100V J POLY    | TP    |
| 375 | FFH-818A | <b>OCE4756K618</b> | CAPACITOR,ELECTROLYTIC         | 4.7M SMS 50V M FL    | TP(5) |
| 376 | FFH-818A | <b>OCE4756K618</b> | CAPACITOR,ELECTROLYTIC         | 4.7M SMS 50V M FL    | TP(5) |
| 377 | FFH-818A | <b>OCE4766F618</b> | CAPACITOR,ELECTROLYTIC         | 47M SMS 16V M FL     | TP(5) |
| 378 | FFH-818A | <b>OCE4766F618</b> | CAPACITOR,ELECTROLYTIC         | 47M SMS 16V M FL     | TP(5) |
| 379 | FFH-818A | <b>OCE1066J618</b> | CAPACITOR,ELECTROLYTIC         | 10M SMS 35V M FL     | TP(5) |
| 380 | FFH-818A | <b>OCE1066J618</b> | CAPACITOR,ELECTROLYTIC         | 10M SMS 35V M FL     | TP(5) |
| 381 | FFH-818A | <b>OCN5620F669</b> | CAPACITOR TUBULA(HIGH DIELE)   | 5600P 16V M X TA(52) |       |
| 382 | FFH-818A | <b>OCN5620F669</b> | CAPACITOR TUBULA(HIGH DIELE)   | 5600P 16V M X TA(52) |       |
| 383 | FFH-818A | <b>OCN3310K519</b> | CAPACITOR TUBULA(HIGH DIELE)   | 330P 50V K B TA52    |       |
| 384 | FFH-818A | <b>OCN3310K519</b> | CAPACITOR TUBULA(HIGH DIELE)   | 330P 50V K B TA52    |       |
| 385 | FFH-818A | <b>OCN1020K519</b> | CAPACITOR TUBULA(HIGH DIELE)   | 1000P 50V K B TA52   |       |
| 386 | FFH-818A | <b>OCN1020K519</b> | CAPACITOR TUBULA(HIGH DIELE)   | 1000P 50V K B TA52   |       |
| 387 | FFH-818A | <b>OCN3310K519</b> | CAPACITOR TUBULA(HIGH DIELE)   | 330P 50V K B TA52    |       |
| 388 | FFH-818A | <b>OCN3310K519</b> | CAPACITOR TUBULA(HIGH DIELE)   | 330P 50V K B TA52    |       |
| 389 | FFH-818A | <b>OCN3310K519</b> | CAPACITOR TUBULA(HIGH DIELE)   | 330P 50V K B TA52    |       |
| 390 | FFH-818A | <b>OCN3310K519</b> | CAPACITOR TUBULA(HIGH DIELE)   | 330P 50V K B TA52    |       |
| 391 | FFH-818A | <b>OCE1076F618</b> | CAPACITOR,ELECTROLYTIC         | 100M SMS 16V M FM5   | TP(5) |
| 392 | FFH-818A | <b>OCE1076F618</b> | CAPACITOR,ELECTROLYTIC         | 100M SMS 16V M FM5   | TP(5) |
| 393 | FFH-818A | <b>OCE4756K618</b> | CAPACITOR,ELECTROLYTIC         | 4.7M SMS 50V M FL    | TP(5) |
| 394 | FFH-818A | <b>OCE4756K618</b> | CAPACITOR,ELECTROLYTIC         | 4.7M SMS 50V M FL    | TP(5) |
| 395 | FFH-818A | <b>OCQ1221R449</b> | CAPACITOR POLYESTER(MYLAR)     | 1200P 250V J PYLN    | TP    |
| 396 | FFH-818A | <b>OCQ1221R449</b> | CAPACITOR POLYESTER(MYLAR)     | 1200P 250V J PYLN    | TP    |
| 397 | FFH-818A | <b>OCQ5621N409</b> | CAPACITOR POLYESTER(MYLAR)     | 0.0056U 100V J POLY  | TP    |
| 398 | FFH-818A | <b>OCQ5621N409</b> | CAPACITOR POLYESTER(MYLAR)     | 0.0056U 100V J POLY  | TP    |
| 399 | FFH-818A | <b>OCQ5631N409</b> | CAPACITOR POLYESTER(MYLAR)     | 0.056U 100V J POLY   | TP    |
| 400 | FFH-818A | <b>OCQ5631N409</b> | CAPACITOR POLYESTER(MYLAR)     | 0.056U 100V J POLY   | TP    |
| 401 | FFH-818A | <b>OCE1076F618</b> | CAPACITOR,ELECTROLYTIC         | 100M SMS 16V M FM5   | TP(5) |
| 402 | FFH-818A | <b>OCE1076F618</b> | CAPACITOR,ELECTROLYTIC         | 100M SMS 16V M FM5   | TP(5) |
| 403 | FFH-818A | <b>OCQ1531N409</b> | CAPACITOR POLYESTER(MYLAR)     | 0.015U 100V J POLY   | TP    |
| 404 | FFH-818A | <b>OCQ1531N409</b> | CAPACITOR POLYESTER(MYLAR)     | 0.015U 100V J POLY   | TP    |
| 405 | FFH-818A | <b>OCE1066J618</b> | CAPACITOR,ELECTROLYTIC         | 10M SMS 35V M FL     | TP(5) |
| 406 | FFH-818A | <b>OCE1066J618</b> | CAPACITOR,ELECTROLYTIC         | 10M SMS 35V M FL     | TP(5) |
| 407 | FFH-818A | <b>OCN4730K949</b> | CAPACITOR TUBULA(HIGH DIELE)   | 0.047M 50V Z F TA52  |       |
| 408 | FFH-818A | <b>OCN4730K949</b> | CAPACITOR TUBULA(HIGH DIELE)   | 0.047M 50V Z F TA52  |       |
| 409 | FFH-818A | <b>OCE1066J618</b> | CAPACITOR,ELECTROLYTIC         | 10M SMS 35V M FL     | TP(5) |
| 410 | FFH-818A | <b>OCE1066J618</b> | CAPACITOR,ELECTROLYTIC         | 10M SMS 35V M FL     | TP(5) |
| 411 | FFH-818A | <b>OCN8210K519</b> | CAPACITOR TUBULA(HIGH DIELE)   | 820P 50V K B TA52    |       |
| 412 | FFH-818A | <b>OCN8210K519</b> | CAPACITOR TUBULA(HIGH DIELE)   | 820P 50V K B TA52    |       |
| 413 | FFH-818A | <b>OCN6810K519</b> | CAPACITOR TUBULA(HIGH DIELE)   | 680P 50V K B TA52    |       |
| 414 | FFH-818A | <b>OCN6810K519</b> | CAPACITOR TUBULA(HIGH DIELE)   | 680P 50V K B TA52    |       |
| 415 | FFH-818A | <b>OCN6810K519</b> | CAPACITOR TUBULA(HIGH DIELE)   | 680P 50V K B TA52    |       |
| 416 | FFH-818A | <b>OCN6810K519</b> | CAPACITOR TUBULA(HIGH DIELE)   | 680P 50V K B TA52    |       |
| 417 | FFH-818A | <b>ORD1002F609</b> | RESISTOR,FIXED CARBON FILM     | 10K 1/6W 5 TA52      |       |
| 418 | FFH-818A | <b>ORD1002F609</b> | RESISTOR,FIXED CARBON FILM     | 10K 1/6W 5 TA52      |       |

|     |          |                    |                                |                          |
|-----|----------|--------------------|--------------------------------|--------------------------|
| 419 | FFH-818A | <b>0CN1820F669</b> | CAPACITOR TUBULA(HIGH DIELE)   | 1800P 16V M X TA52       |
| 420 | FFH-818A | <b>0CN1820F669</b> | CAPACITOR TUBULA(HIGH DIELE)   | 1800P 16V M X TA52       |
| 421 | FFH-818A | <b>0CN3320F669</b> | CAPACITOR,TUBULAR(HIGH DIELEC) | 3300PF 16V M X TA52      |
| 422 | FFH-818A | <b>0CN3320F669</b> | CAPACITOR,TUBULAR(HIGH DIELEC) | 3300PF 16V M X TA52      |
| 423 | FFH-818A | <b>0CE2256K618</b> | CAPACITOR,ELECTROLYTIC         | 2.2M SMS 50V M FL TP(5)  |
| 424 | FFH-818A | <b>0CE2256K618</b> | CAPACITOR,ELECTROLYTIC         | 2.2M SMS 50V M FL TP(5)  |
| 425 | FFH-818A | <b>0CN2210K519</b> | CAPACITOR TUBULA(HIGH DIELE)   | 220P 50V K B TA52        |
| 426 | FFH-818A | <b>0CN2210K519</b> | CAPACITOR TUBULA(HIGH DIELE)   | 220P 50V K B TA52        |
| 427 | FFH-818A | <b>0CE4766F618</b> | CAPACITOR,ELECTROLYTIC         | 47M SMS 16V M FL TP(5)   |
| 428 | FFH-818A | <b>0CE4766F618</b> | CAPACITOR,ELECTROLYTIC         | 47M SMS 16V M FL TP(5)   |
| 429 | FFH-818A | <b>0CN3310K519</b> | CAPACITOR TUBULA(HIGH DIELE)   | 330P 50V K B TA52        |
| 430 | FFH-818A | <b>0CN3310K519</b> | CAPACITOR TUBULA(HIGH DIELE)   | 330P 50V K B TA52        |
| 431 | FFH-818A | <b>0CN3310K519</b> | CAPACITOR TUBULA(HIGH DIELE)   | 330P 50V K B TA52        |
| 432 | FFH-818A | <b>0CN3310K519</b> | CAPACITOR TUBULA(HIGH DIELE)   | 330P 50V K B TA52        |
| 433 | FFH-818A | <b>0CQ1031N409</b> | CAPACITOR POLYESTER(MYLAR)     | 0.01U 100V J POLY TP     |
| 434 | FFH-818A | <b>0CQ1031N409</b> | CAPACITOR POLYESTER(MYLAR)     | 0.01U 100V J POLY TP     |
| 435 | FFH-818A | <b>0CE4756K618</b> | CAPACITOR,ELECTROLYTIC         | 4.7M SMS 50V M FL TP(5)  |
| 436 | FFH-818A | <b>0CE4756K618</b> | CAPACITOR,ELECTROLYTIC         | 4.7M SMS 50V M FL TP(5)  |
| 437 | FFH-818A | <b>0CE4766F618</b> | CAPACITOR,ELECTROLYTIC         | 47M SMS 16V M FL TP(5)   |
| 438 | FFH-818A | <b>0CE4766F618</b> | CAPACITOR,ELECTROLYTIC         | 47M SMS 16V M FL TP(5)   |
| 439 | FFH-818A | <b>0CE1066K618</b> | CAPACITOR,ELECTROLYTIC         | 10M SMS 50V M FM5 TP(5)  |
| 440 | FFH-818A | <b>0CE1066K618</b> | CAPACITOR,ELECTROLYTIC         | 10M SMS 50V M FM5 TP(5)  |
| 441 | FFH-818A | <b>0CN5620F669</b> | CAPACITOR TUBULA(HIGH DIELE)   | 5600P 16V M X TA(52)     |
| 442 | FFH-818A | <b>0CN5620F669</b> | CAPACITOR TUBULA(HIGH DIELE)   | 5600P 16V M X TA(52)     |
| 443 | FFH-818A | <b>0CN3310K519</b> | CAPACITOR TUBULA(HIGH DIELE)   | 330P 50V K B TA52        |
| 444 | FFH-818A | <b>0CN3310K519</b> | CAPACITOR TUBULA(HIGH DIELE)   | 330P 50V K B TA52        |
| 445 | FFH-818A | <b>0CN1020K519</b> | CAPACITOR TUBULA(HIGH DIELE)   | 1000P 50V K B TA52       |
| 446 | FFH-818A | <b>0CN1020K519</b> | CAPACITOR TUBULA(HIGH DIELE)   | 1000P 50V K B TA52       |
| 447 | FFH-818A | <b>0CE1066K618</b> | CAPACITOR,ELECTROLYTIC         | 10M SMS 50V M FM5 TP(5)  |
| 448 | FFH-818A | <b>0CE1066K618</b> | CAPACITOR,ELECTROLYTIC         | 10M SMS 50V M FM5 TP(5)  |
| 449 | FFH-818A | <b>0CE1076F618</b> | CAPACITOR,ELECTROLYTIC         | 100M SMS 16V M FM5 TP(5) |
| 450 | FFH-818A | <b>0CE1076F618</b> | CAPACITOR,ELECTROLYTIC         | 100M SMS 16V M FM5 TP(5) |
| 451 | FFH-818A | <b>0CE2256K618</b> | CAPACITOR,ELECTROLYTIC         | 2.2M SMS 50V M FL TP(5)  |
| 452 | FFH-818A | <b>0CE2256K618</b> | CAPACITOR,ELECTROLYTIC         | 2.2M SMS 50V M FL TP(5)  |
| 453 | FFH-818A | <b>0CE4766F618</b> | CAPACITOR,ELECTROLYTIC         | 47M SMS 16V M FL TP(5)   |
| 454 | FFH-818A | <b>0CE4766F618</b> | CAPACITOR,ELECTROLYTIC         | 47M SMS 16V M FL TP(5)   |
| 455 | FFH-818A | <b>0CN2230H949</b> | CAPACITOR TUBULA(HIGH DIELE)   | 22000P 25V Z FTA52       |
| 456 | FFH-818A | <b>0CN2230H949</b> | CAPACITOR TUBULA(HIGH DIELE)   | 22000P 25V Z FTA52       |
| 457 | FFH-818A | <b>0CN2230H949</b> | CAPACITOR TUBULA(HIGH DIELE)   | 22000P 25V Z FTA52       |
| 458 | FFH-818A | <b>0CN2230H949</b> | CAPACITOR TUBULA(HIGH DIELE)   | 22000P 25V Z FTA52       |
| 459 | FFH-818A | <b>0CN2230H949</b> | CAPACITOR TUBULA(HIGH DIELE)   | 22000P 25V Z FTA52       |
| 460 | FFH-818A | <b>0CN2230H949</b> | CAPACITOR TUBULA(HIGH DIELE)   | 22000P 25V Z FTA52       |
| 461 | FFH-818A | <b>0CN8210K519</b> | CAPACITOR TUBULA(HIGH DIELE)   | 820P 50V K B TA52        |
| 462 | FFH-818A | <b>0CN8210K519</b> | CAPACITOR TUBULA(HIGH DIELE)   | 820P 50V K B TA52        |
| 463 | FFH-818A | <b>0CN2230H949</b> | CAPACITOR TUBULA(HIGH DIELE)   | 22000P 25V Z FTA52       |
| 464 | FFH-818A | <b>0CN2230H949</b> | CAPACITOR TUBULA(HIGH DIELE)   | 22000P 25V Z FTA52       |
| 465 | FFH-818A | <b>0CE4766K618</b> | CAPACITOR,ELECTROLYTIC         | 47M SMS 50V M FM5 TP(5)  |
| 466 | FFH-818A | <b>0CE4766K618</b> | CAPACITOR,ELECTROLYTIC         | 47M SMS 50V M FM5 TP(5)  |
| 467 | FFH-818A | <b>0CE1076D618</b> | CAPACITOR,ELECTROLYTIC         | 100M SMS 10V M FM5 TP(5) |
| 468 | FFH-818A | <b>0CE1076D618</b> | CAPACITOR,ELECTROLYTIC         | 100M SMS 10V M FM5 TP(5) |
| 469 | FFH-818A | <b>0CE2276D618</b> | CAPACITOR,ELECTROLYTIC         | 220M SMS 10V M FM5 TP(5) |
| 470 | FFH-818A | <b>0CE2276D618</b> | CAPACITOR,ELECTROLYTIC         | 220M SMS 10V M FM5 TP(5) |
| 471 | FFH-818A | <b>0CX3300K409</b> | CAPACITOR TUBULA(T.C)          | 33P 50V J SL TA52        |
| 472 | FFH-818A | <b>0CX3300K409</b> | CAPACITOR TUBULA(T.C)          | 33P 50V J SL TA52        |
| 473 | FFH-818A | <b>0CX3300K409</b> | CAPACITOR TUBULA(T.C)          | 33P 50V J SL TA52        |
| 474 | FFH-818A | <b>0CX3300K409</b> | CAPACITOR TUBULA(T.C)          | 33P 50V J SL TA52        |
| 475 | FFH-818A | <b>0CX2200K409</b> | CAPACITOR TUBULA(T.C)          | 22P 50V J SL TA52        |
| 476 | FFH-818A | <b>0CX2200K409</b> | CAPACITOR TUBULA(T.C)          | 22P 50V J SL TA52        |
| 477 | FFH-818A | <b>0CX2200K409</b> | CAPACITOR TUBULA(T.C)          | 22P 50V J SL TA52        |
| 478 | FFH-818A | <b>0CX2200K409</b> | CAPACITOR TUBULA(T.C)          | 22P 50V J SL TA52        |
| 479 | FFH-818A | <b>0CX6800K409</b> | CAPACITOR TUBULA(T.C)          | 68P 50V J SL TA52        |
| 480 | FFH-818A | <b>0CX6800K409</b> | CAPACITOR TUBULA(T.C)          | 68P 50V J SL TA52        |
| 481 | FFH-818A | <b>0CN2230H949</b> | CAPACITOR TUBULA(HIGH DIELE)   | 22000P 25V Z FTA52       |
| 482 | FFH-818A | <b>0CN2230H949</b> | CAPACITOR TUBULA(HIGH DIELE)   | 22000P 25V Z FTA52       |
| 483 | FFH-818A | <b>0CE4766K618</b> | CAPACITOR,ELECTROLYTIC         | 47M SMS 50V M FM5 TP(5)  |
| 484 | FFH-818A | <b>0CE4766K618</b> | CAPACITOR,ELECTROLYTIC         | 47M SMS 50V M FM5 TP(5)  |
| 485 | FFH-818A | <b>0CE4776D618</b> | CAPACITOR,ELECTROLYTIC         | 470M SMS 10V M FL TP(5)  |
| 486 | FFH-818A | <b>0CE4776D618</b> | CAPACITOR,ELECTROLYTIC         | 470M SMS 10V M FL TP(5)  |
| 487 | FFH-818A | <b>0CE4776D618</b> | CAPACITOR,ELECTROLYTIC         | 470M SMS 10V M FL TP(5)  |
| 488 | FFH-818A | <b>0CE4776D618</b> | CAPACITOR,ELECTROLYTIC         | 470M SMS 10V M FL TP(5)  |



|     |          |                    |                              |        |      |     |       |      |       |
|-----|----------|--------------------|------------------------------|--------|------|-----|-------|------|-------|
| 489 | FFH-818A | <b>OCE4776D618</b> | CAPACITOR,ELECTROLYTIC       | 470M   | SMS  | 10V | M     | FL   | TP(5) |
| 490 | FFH-818A | <b>OCE4776D618</b> | CAPACITOR,ELECTROLYTIC       | 470M   | SMS  | 10V | M     | FL   | TP(5) |
| 491 | FFH-818A | <b>OCN4730K949</b> | CAPACITOR TUBULA(HIGH DIELE) | 0.047M | 50V  | Z   | F     | TA52 |       |
| 492 | FFH-818A | <b>OCN4730K949</b> | CAPACITOR TUBULA(HIGH DIELE) | 0.047M | 50V  | Z   | F     | TA52 |       |
| 493 | FFH-818A | <b>OCE2276F618</b> | CAPACITOR,ELECTROLYTIC       | 220M   | SMS  | 16V | M     | FM5  | TP(5) |
| 494 | FFH-818A | <b>OCE2276F618</b> | CAPACITOR,ELECTROLYTIC       | 220M   | SMS  | 16V | M     | FM5  | TP(5) |
| 495 | FFH-818A | <b>OCE1046K618</b> | CAPACITOR,ELECTROLYTIC       | 0.1M   | SMS  | 50V | M     | FL   | TP(5) |
| 496 | FFH-818A | <b>OCE1046K618</b> | CAPACITOR,ELECTROLYTIC       | 0.1M   | SMS  | 50V | M     | FL   | TP(5) |
| 497 | FFH-818A | <b>OCE1046K618</b> | CAPACITOR,ELECTROLYTIC       | 0.1M   | SMS  | 50V | M     | FL   | TP(5) |
| 498 | FFH-818A | <b>OCE1046K618</b> | CAPACITOR,ELECTROLYTIC       | 0.1M   | SMS  | 50V | M     | FL   | TP(5) |
| 499 | FFH-818A | <b>OCX3300K409</b> | CAPACITOR TUBULA(T.C)        | 33P    | 50V  | J   | SL    | TA52 |       |
| 500 | FFH-818A | <b>OCX3300K409</b> | CAPACITOR TUBULA(T.C)        | 33P    | 50V  | J   | SL    | TA52 |       |
| 501 | FFH-818A | <b>OCN1020K519</b> | CAPACITOR TUBULA(HIGH DIELE) | 1000P  | 50V  | K   | B     | TA52 |       |
| 502 | FFH-818A | <b>OCN1020K519</b> | CAPACITOR TUBULA(HIGH DIELE) | 1000P  | 50V  | K   | B     | TA52 |       |
| 503 | FFH-818A | <b>OCE4746K618</b> | CAPACITOR,ELECTROLYTIC       | 0.47M  | SMS  | 50V | M     | FL   | TP(5) |
| 504 | FFH-818A | <b>OCE4746K618</b> | CAPACITOR,ELECTROLYTIC       | 0.47M  | SMS  | 50V | M     | FL   | TP(5) |
| 505 | FFH-818A | <b>OCE4746K618</b> | CAPACITOR,ELECTROLYTIC       | 0.47M  | SMS  | 50V | M     | FL   | TP(5) |
| 506 | FFH-818A | <b>OCE4746K618</b> | CAPACITOR,ELECTROLYTIC       | 0.47M  | SMS  | 50V | M     | FL   | TP(5) |
| 507 | FFH-818A | <b>OCE4746K618</b> | CAPACITOR,ELECTROLYTIC       | 0.47M  | SMS  | 50V | M     | FL   | TP(5) |
| 508 | FFH-818A | <b>OCE4746K618</b> | CAPACITOR,ELECTROLYTIC       | 0.47M  | SMS  | 50V | M     | FL   | TP(5) |
| 509 | FFH-818A | <b>OCE4746K618</b> | CAPACITOR,ELECTROLYTIC       | 0.47M  | SMS  | 50V | M     | FL   | TP(5) |
| 510 | FFH-818A | <b>OCE4746K618</b> | CAPACITOR,ELECTROLYTIC       | 0.47M  | SMS  | 50V | M     | FL   | TP(5) |
| 511 | FFH-818A | <b>OCQ1031N409</b> | CAPACITOR POLYESTER(MYLAR)   | 0.01U  | 100V | J   | POLY  | TP   |       |
| 512 | FFH-818A | <b>OCQ1031N409</b> | CAPACITOR POLYESTER(MYLAR)   | 0.01U  | 100V | J   | POLY  | TP   |       |
| 513 | FFH-818A | <b>OCN1030F679</b> | CAPACITOR TUBULA(HIGH DIELE) | 0.01MF | 16V  | M   | Y     | TA52 |       |
| 514 | FFH-818A | <b>OCN1030F679</b> | CAPACITOR TUBULA(HIGH DIELE) | 0.01MF | 16V  | M   | Y     | TA52 |       |
| 515 | FFH-818A | <b>OCE3346K618</b> | CAPACITOR,ELECTROLYTIC       | 0.33M  | SMS  | 50V | M     | FL   | TP(5) |
| 516 | FFH-818A | <b>OCE3346K618</b> | CAPACITOR,ELECTROLYTIC       | 0.33M  | SMS  | 50V | M     | FL   | TP(5) |
| 517 | FFH-818A | <b>OCE2246K618</b> | CAPACITOR,ELECTROLYTIC       | 0.22M  | SMS  | 50V | M     | FM5  | TP(5) |
| 518 | FFH-818A | <b>OCE2246K618</b> | CAPACITOR,ELECTROLYTIC       | 0.22M  | SMS  | 50V | M     | FM5  | TP(5) |
| 519 | FFH-818A | <b>OCE4756K618</b> | CAPACITOR,ELECTROLYTIC       | 4.7M   | SMS  | 50V | M     | FL   | TP(5) |
| 520 | FFH-818A | <b>OCE4756K618</b> | CAPACITOR,ELECTROLYTIC       | 4.7M   | SMS  | 50V | M     | FL   | TP(5) |
| 521 | FFH-818A | <b>OCE4756K618</b> | CAPACITOR,ELECTROLYTIC       | 4.7M   | SMS  | 50V | M     | FL   | TP(5) |
| 522 | FFH-818A | <b>OCE4756K618</b> | CAPACITOR,ELECTROLYTIC       | 4.7M   | SMS  | 50V | M     | FL   | TP(5) |
| 523 | FFH-818A | <b>OCE4746K618</b> | CAPACITOR,ELECTROLYTIC       | 0.47M  | SMS  | 50V | M     | FL   | TP(5) |
| 524 | FFH-818A | <b>OCE4746K618</b> | CAPACITOR,ELECTROLYTIC       | 0.47M  | SMS  | 50V | M     | FL   | TP(5) |
| 525 | FFH-818A | <b>OCE4746K618</b> | CAPACITOR,ELECTROLYTIC       | 0.47M  | SMS  | 50V | M     | FL   | TP(5) |
| 526 | FFH-818A | <b>OCE4746K618</b> | CAPACITOR,ELECTROLYTIC       | 0.47M  | SMS  | 50V | M     | FL   | TP(5) |
| 527 | FFH-818A | <b>OCE4746K618</b> | CAPACITOR,ELECTROLYTIC       | 0.47M  | SMS  | 50V | M     | FL   | TP(5) |
| 528 | FFH-818A | <b>OCE4746K618</b> | CAPACITOR,ELECTROLYTIC       | 0.47M  | SMS  | 50V | M     | FL   | TP(5) |
| 529 | FFH-818A | <b>OCE4746K618</b> | CAPACITOR,ELECTROLYTIC       | 0.47M  | SMS  | 50V | M     | FL   | TP(5) |
| 530 | FFH-818A | <b>OCE4746K618</b> | CAPACITOR,ELECTROLYTIC       | 0.47M  | SMS  | 50V | M     | FL   | TP(5) |
| 531 | FFH-818A | <b>OCQ1031N409</b> | CAPACITOR POLYESTER(MYLAR)   | 0.01U  | 100V | J   | POLY  | TP   |       |
| 532 | FFH-818A | <b>OCQ1031N409</b> | CAPACITOR POLYESTER(MYLAR)   | 0.01U  | 100V | J   | POLY  | TP   |       |
| 533 | FFH-818A | <b>OCN1030F679</b> | CAPACITOR TUBULA(HIGH DIELE) | 0.01MF | 16V  | M   | Y     | TA52 |       |
| 534 | FFH-818A | <b>OCN1030F679</b> | CAPACITOR TUBULA(HIGH DIELE) | 0.01MF | 16V  | M   | Y     | TA52 |       |
| 535 | FFH-818A | <b>OCE3346K618</b> | CAPACITOR,ELECTROLYTIC       | 0.33M  | SMS  | 50V | M     | FL   | TP(5) |
| 536 | FFH-818A | <b>OCE3346K618</b> | CAPACITOR,ELECTROLYTIC       | 0.33M  | SMS  | 50V | M     | FL   | TP(5) |
| 537 | FFH-818A | <b>OCE2246K618</b> | CAPACITOR,ELECTROLYTIC       | 0.22M  | SMS  | 50V | M     | FM5  | TP(5) |
| 538 | FFH-818A | <b>OCE2246K618</b> | CAPACITOR,ELECTROLYTIC       | 0.22M  | SMS  | 50V | M     | FM5  | TP(5) |
| 539 | FFH-818A | <b>OCE4756K618</b> | CAPACITOR,ELECTROLYTIC       | 4.7M   | SMS  | 50V | M     | FL   | TP(5) |
| 540 | FFH-818A | <b>OCE4756K618</b> | CAPACITOR,ELECTROLYTIC       | 4.7M   | SMS  | 50V | M     | FL   | TP(5) |
| 541 | FFH-818A | <b>OCE1076F618</b> | CAPACITOR,ELECTROLYTIC       | 100M   | SMS  | 16V | M     | FM5  | TP(5) |
| 542 | FFH-818A | <b>OCE1076F618</b> | CAPACITOR,ELECTROLYTIC       | 100M   | SMS  | 16V | M     | FM5  | TP(5) |
| 543 | FFH-818A | <b>OCE1066J618</b> | CAPACITOR,ELECTROLYTIC       | 10M    | SMS  | 35V | M     | FL   | TP(5) |
| 544 | FFH-818A | <b>OCE1066J618</b> | CAPACITOR,ELECTROLYTIC       | 10M    | SMS  | 35V | M     | FL   | TP(5) |
| 545 | FFH-818A | <b>OCE4756K618</b> | CAPACITOR,ELECTROLYTIC       | 4.7M   | SMS  | 50V | M     | FL   | TP(5) |
| 546 | FFH-818A | <b>OCE4756K618</b> | CAPACITOR,ELECTROLYTIC       | 4.7M   | SMS  | 50V | M     | FL   | TP(5) |
| 547 | FFH-818A | <b>OCE4756K618</b> | CAPACITOR,ELECTROLYTIC       | 4.7M   | SMS  | 50V | M     | FL   | TP(5) |
| 548 | FFH-818A | <b>OCE4756K618</b> | CAPACITOR,ELECTROLYTIC       | 4.7M   | SMS  | 50V | M     | FL   | TP(5) |
| 549 | FFH-818A | <b>OCN2230H949</b> | CAPACITOR TUBULA(HIGH DIELE) | 22000P | 25V  | Z   | FTA52 |      |       |
| 550 | FFH-818A | <b>OCN2230H949</b> | CAPACITOR TUBULA(HIGH DIELE) | 22000P | 25V  | Z   | FTA52 |      |       |
| 551 | FFH-818A | <b>OCN2230H949</b> | CAPACITOR TUBULA(HIGH DIELE) | 22000P | 25V  | Z   | FTA52 |      |       |
| 552 | FFH-818A | <b>OCN2230H949</b> | CAPACITOR TUBULA(HIGH DIELE) | 22000P | 25V  | Z   | FTA52 |      |       |
| 553 | FFH-818A | <b>OCE4756K618</b> | CAPACITOR,ELECTROLYTIC       | 4.7M   | SMS  | 50V | M     | FL   | TP(5) |
| 554 | FFH-818A | <b>OCE4756K618</b> | CAPACITOR,ELECTROLYTIC       | 4.7M   | SMS  | 50V | M     | FL   | TP(5) |
| 555 | FFH-818A | <b>OCE2266F618</b> | CAPACITOR,ELECTROLYTIC       | 22M    | SMS  | 16V | M     | FM5  | TP(5) |
| 556 | FFH-818A | <b>OCE2266F618</b> | CAPACITOR,ELECTROLYTIC       | 22M    | SMS  | 16V | M     | FM5  | TP(5) |
| 557 | FFH-818A | <b>OCE3346K618</b> | CAPACITOR,ELECTROLYTIC       | 0.33M  | SMS  | 50V | M     | FL   | TP(5) |
| 558 | FFH-818A | <b>OCE3346K618</b> | CAPACITOR,ELECTROLYTIC       | 0.33M  | SMS  | 50V | M     | FL   | TP(5) |



|     |          |                    |                              |                           |
|-----|----------|--------------------|------------------------------|---------------------------|
| 559 | FFH-818A | <b>OCE3346K618</b> | CAPACITOR,ELECTROLYTIC       | 0.33M SMS 50V M FL TP(5)  |
| 560 | FFH-818A | <b>OCE3346K618</b> | CAPACITOR,ELECTROLYTIC       | 0.33M SMS 50V M FL TP(5)  |
| 561 | FFH-818A | <b>OCE2256K618</b> | CAPACITOR,ELECTROLYTIC       | 2.2M SMS 50V M FL TP(5)   |
| 562 | FFH-818A | <b>OCE2256K618</b> | CAPACITOR,ELECTROLYTIC       | 2.2M SMS 50V M FL TP(5)   |
| 563 | FFH-818A | <b>OCE2256K618</b> | CAPACITOR,ELECTROLYTIC       | 2.2M SMS 50V M FL TP(5)   |
| 564 | FFH-818A | <b>OCE2256K618</b> | CAPACITOR,ELECTROLYTIC       | 2.2M SMS 50V M FL TP(5)   |
| 565 | FFH-818A | <b>OCE1076F618</b> | CAPACITOR,ELECTROLYTIC       | 100M SMS 16V M FM5 TP(5)  |
| 566 | FFH-818A | <b>OCE1076F618</b> | CAPACITOR,ELECTROLYTIC       | 100M SMS 16V M FM5 TP(5)  |
| 567 | FFH-818A | <b>OCE2266F618</b> | CAPACITOR,ELECTROLYTIC       | 22M SMS 16V M FM5 TP(5)   |
| 568 | FFH-818A | <b>OCE2266F618</b> | CAPACITOR,ELECTROLYTIC       | 22M SMS 16V M FM5 TP(5)   |
| 569 | FFH-818A | <b>OCN1020K519</b> | CAPACITOR TUBULA(HIGH DIELE) | 1000P 50V K B TA52        |
| 570 | FFH-818A | <b>OCN1020K519</b> | CAPACITOR TUBULA(HIGH DIELE) | 1000P 50V K B TA52        |
| 571 | FFH-818A | <b>OCE2256K618</b> | CAPACITOR,ELECTROLYTIC       | 2.2M SMS 50V M FL TP(5)   |
| 572 | FFH-818A | <b>OCE2256K618</b> | CAPACITOR,ELECTROLYTIC       | 2.2M SMS 50V M FL TP(5)   |
| 573 | FFH-818A | <b>OCE3366F618</b> | CAPACITOR,ELECTROLYTIC       | 33M SMS 16V M FL TP(5)    |
| 574 | FFH-818A | <b>OCE3366F618</b> | CAPACITOR,ELECTROLYTIC       | 33M SMS 16V M FL TP(5)    |
| 575 | FFH-818A | <b>OCX4R70K519</b> | CAPACITOR TUBULA(T.C)        | 4.7P 50V K C TA52         |
| 576 | FFH-818A | <b>OCX4R70K519</b> | CAPACITOR TUBULA(T.C)        | 4.7P 50V K C TA52         |
| 577 | FFH-818A | <b>OCE1066K618</b> | CAPACITOR,ELECTROLYTIC       | 10M SMS 50V M FM5 TP(5)   |
| 578 | FFH-818A | <b>OCE1066K618</b> | CAPACITOR,ELECTROLYTIC       | 10M SMS 50V M FM5 TP(5)   |
| 579 | FFH-818A | <b>OCE1076K618</b> | CAPACITOR,ELECTROLYTIC       | 100UF SMS 50V M FL TP5    |
| 580 | FFH-818A | <b>OCE1076K618</b> | CAPACITOR,ELECTROLYTIC       | 100UF SMS 50V M FL TP5    |
| 581 | FFH-818A | <b>OCE1076K618</b> | CAPACITOR,ELECTROLYTIC       | 100UF SMS 50V M FL TP5    |
| 582 | FFH-818A | <b>OCE1076K618</b> | CAPACITOR,ELECTROLYTIC       | 100UF SMS 50V M FL TP5    |
| 583 | FFH-818A | <b>OCE1076K618</b> | CAPACITOR,ELECTROLYTIC       | 100UF SMS 50V M FL TP5    |
| 584 | FFH-818A | <b>OCE1076K618</b> | CAPACITOR,ELECTROLYTIC       | 100UF SMS 50V M FL TP5    |
| 585 | FFH-818A | <b>OCQ1041N409</b> | CAPACITOR POLYESTER(MYLAR)   | 0.1U 100V J POLY TP       |
| 586 | FFH-818A | <b>OCQ1041N409</b> | CAPACITOR POLYESTER(MYLAR)   | 0.1U 100V J POLY TP       |
| 587 | FFH-818A | <b>OCN1010K519</b> | CAPACITOR TUBULA(HIGH DIELE) | 100P 50V K B TA52         |
| 588 | FFH-818A | <b>OCN1010K519</b> | CAPACITOR TUBULA(HIGH DIELE) | 100P 50V K B TA52         |
| 589 | FFH-818A | <b>OCQ1041N409</b> | CAPACITOR POLYESTER(MYLAR)   | 0.1U 100V J POLY TP       |
| 590 | FFH-818A | <b>OCQ1041N409</b> | CAPACITOR POLYESTER(MYLAR)   | 0.1U 100V J POLY TP       |
| 591 | FFH-818A | <b>OCN1040K949</b> | CAPACITOR TUBULA(HIGH DIELE) | 0.1M 50V Z F TA52         |
| 592 | FFH-818A | <b>OCN1040K949</b> | CAPACITOR TUBULA(HIGH DIELE) | 0.1M 50V Z F TA52         |
| 593 | FFH-818A | <b>OCE338H96A0</b> | CAPACITOR,AL.ELECTROLYTIC    | 3300UF DL 75V M VNSN BULK |
| 594 | FFH-818A | <b>OCE338H96A0</b> | CAPACITOR,AL.ELECTROLYTIC    | 3300UF DL 75V M VNSN BULK |
| 595 | FFH-818A | <b>OCE338H96A0</b> | CAPACITOR,AL.ELECTROLYTIC    | 3300UF DL 75V M VNSN BULK |
| 596 | FFH-818A | <b>OCQ2231N409</b> | CAPACITOR POLYESTER(MYLAR)   | 0.022U 100V J POLY TP     |
| 597 | FFH-818A | <b>OCQ2231N409</b> | CAPACITOR POLYESTER(MYLAR)   | 0.022U 100V J POLY TP     |
| 598 | FFH-818A | <b>OCQ2231N409</b> | CAPACITOR POLYESTER(MYLAR)   | 0.022U 100V J POLY TP     |
| 599 | FFH-818A | <b>OCQ2231N409</b> | CAPACITOR POLYESTER(MYLAR)   | 0.022U 100V J POLY TP     |
| 600 | FFH-818A | <b>OCE4776F618</b> | CAPACITOR,ELECTROLYTIC       | 470M SMS 16V M FL TP(5)   |
| 601 | FFH-818A | <b>OCE4776F618</b> | CAPACITOR,ELECTROLYTIC       | 470M SMS 16V M FL TP(5)   |
| 602 | FFH-818A | <b>OCE4776F618</b> | CAPACITOR,ELECTROLYTIC       | 470M SMS 16V M FL TP(5)   |
| 603 | FFH-818A | <b>OCE4776F618</b> | CAPACITOR,ELECTROLYTIC       | 470M SMS 16V M FL TP(5)   |
| 604 | FFH-818A | <b>OCE4776F618</b> | CAPACITOR,ELECTROLYTIC       | 470M SMS 16V M FL TP(5)   |
| 605 | FFH-818A | <b>OCE4776F618</b> | CAPACITOR,ELECTROLYTIC       | 470M SMS 16V M FL TP(5)   |
| 606 | FFH-818A | <b>OCE338CJ650</b> | CAPACITOR,ELECTROLYT         | 3300UF SHL 35V M FM7      |
| 607 | FFH-818A | <b>OCE338CJ650</b> | CAPACITOR,ELECTROLYT         | 3300UF SHL 35V M FM7      |
| 608 | FFH-818A | <b>OCE4776D618</b> | CAPACITOR,ELECTROLYTIC       | 470M SMS 10V M FL TP(5)   |
| 609 | FFH-818A | <b>OCE4776D618</b> | CAPACITOR,ELECTROLYTIC       | 470M SMS 10V M FL TP(5)   |
| 610 | FFH-818A | <b>OCQ2231N409</b> | CAPACITOR POLYESTER(MYLAR)   | 0.022U 100V J POLY TP     |
| 611 | FFH-818A | <b>OCQ2231N409</b> | CAPACITOR POLYESTER(MYLAR)   | 0.022U 100V J POLY TP     |
| 612 | FFH-818A | <b>OCQ2231N409</b> | CAPACITOR POLYESTER(MYLAR)   | 0.022U 100V J POLY TP     |
| 613 | FFH-818A | <b>OCQ2231N409</b> | CAPACITOR POLYESTER(MYLAR)   | 0.022U 100V J POLY TP     |
| 614 | FFH-818A | <b>OCE3356K618</b> | CAPACITOR,ELECTROLYTIC       | 3.3M SMS 50V M FL TP(5)   |
| 615 | FFH-818A | <b>OCE3356K618</b> | CAPACITOR,ELECTROLYTIC       | 3.3M SMS 50V M FL TP(5)   |
| 616 | FFH-818A | <b>OCE1056K618</b> | CAPACITOR,ELECTROLYTIC       | 1.0M SMS 50V M FL TP(5)   |
| 617 | FFH-818A | <b>OCE1056K618</b> | CAPACITOR,ELECTROLYTIC       | 1.0M SMS 50V M FL TP(5)   |
| 618 | FFH-818A | <b>OCE4766K618</b> | CAPACITOR,ELECTROLYTIC       | 47M SMS 50V M FM5 TP(5)   |
| 619 | FFH-818A | <b>OCE4766K618</b> | CAPACITOR,ELECTROLYTIC       | 47M SMS 50V M FM5 TP(5)   |
| 620 | FFH-818A | <b>OCE4766K618</b> | CAPACITOR,ELECTROLYTIC       | 47M SMS 50V M FM5 TP(5)   |
| 621 | FFH-818A | <b>OCE4766K618</b> | CAPACITOR,ELECTROLYTIC       | 47M SMS 50V M FM5 TP(5)   |
| 622 | FFH-818A | <b>OCE4766K618</b> | CAPACITOR,ELECTROLYTIC       | 47M SMS 50V M FM5 TP(5)   |
| 623 | FFH-818A | <b>OCE4766K618</b> | CAPACITOR,ELECTROLYTIC       | 47M SMS 50V M FM5 TP(5)   |
| 624 | FFH-818A | <b>OCE1076N630</b> | CAPACITOR,ELECTROLYTIC       | 100UF SMS 100V 20 FM5     |
| 625 | FFH-818A | <b>OCE1076N630</b> | CAPACITOR,ELECTROLYTIC       | 100UF SMS 100V 20 FM5     |
| 626 | FFH-818A | <b>OCN1020K519</b> | CAPACITOR TUBULA(HIGH DIELE) | 1000P 50V K B TA52        |
| 627 | FFH-818A | <b>OCN1020K519</b> | CAPACITOR TUBULA(HIGH DIELE) | 1000P 50V K B TA52        |
| 628 | FFH-818A | <b>OCE2256K618</b> | CAPACITOR,ELECTROLYTIC       | 2.2M SMS 50V M FL TP(5)   |

|     |          |                    |                              |        |      |        |        |       |
|-----|----------|--------------------|------------------------------|--------|------|--------|--------|-------|
| 629 | FFH-818A | <b>OCE2256K618</b> | CAPACITOR,ELECTROLYTIC       | 2.2M   | SMS  | 50V    | M FL   | TP(5) |
| 630 | FFH-818A | <b>OCE3366F618</b> | CAPACITOR,ELECTROLYTIC       | 33M    | SMS  | 16V    | M FL   | TP(5) |
| 631 | FFH-818A | <b>OCE3366F618</b> | CAPACITOR,ELECTROLYTIC       | 33M    | SMS  | 16V    | M FL   | TP(5) |
| 632 | FFH-818A | <b>OCX4R70K519</b> | CAPACITOR TUBULA(T.C)        | 4.7P   | 50V  | K C    | TA52   |       |
| 633 | FFH-818A | <b>OCX4R70K519</b> | CAPACITOR TUBULA(T.C)        | 4.7P   | 50V  | K C    | TA52   |       |
| 634 | FFH-818A | <b>OCE1066K618</b> | CAPACITOR,ELECTROLYTIC       | 10M    | SMS  | 50V    | M FM5  | TP(5) |
| 635 | FFH-818A | <b>OCE1066K618</b> | CAPACITOR,ELECTROLYTIC       | 10M    | SMS  | 50V    | M FM5  | TP(5) |
| 636 | FFH-818A | <b>OCE2266F618</b> | CAPACITOR,ELECTROLYTIC       | 22M    | SMS  | 16V    | M FM5  | TP(5) |
| 637 | FFH-818A | <b>OCE2266F618</b> | CAPACITOR,ELECTROLYTIC       | 22M    | SMS  | 16V    | M FM5  | TP(5) |
| 638 | FFH-818A | <b>OCE1076K618</b> | CAPACITOR,ELECTROLYTIC       | 100UF  | SMS  | 50V    | M FL   | TP5   |
| 639 | FFH-818A | <b>OCE1076K618</b> | CAPACITOR,ELECTROLYTIC       | 100UF  | SMS  | 50V    | M FL   | TP5   |
| 640 | FFH-818A | <b>OCE1076K618</b> | CAPACITOR,ELECTROLYTIC       | 100UF  | SMS  | 50V    | M FL   | TP5   |
| 641 | FFH-818A | <b>OCE1076K618</b> | CAPACITOR,ELECTROLYTIC       | 100UF  | SMS  | 50V    | M FL   | TP5   |
| 642 | FFH-818A | <b>OCQ1041N409</b> | CAPACITOR POLYESTER(MYLAR)   | 0.1U   | 100V | J POLY | TP     |       |
| 643 | FFH-818A | <b>OCQ1041N409</b> | CAPACITOR POLYESTER(MYLAR)   | 0.1U   | 100V | J POLY | TP     |       |
| 644 | FFH-818A | <b>OCN1010K519</b> | CAPACITOR TUBULA(HIGH DIELE) | 100P   | 50V  | K B    | TA52   |       |
| 645 | FFH-818A | <b>OCN1010K519</b> | CAPACITOR TUBULA(HIGH DIELE) | 100P   | 50V  | K B    | TA52   |       |
| 646 | FFH-818A | <b>OCN1040K949</b> | CAPACITOR TUBULA(HIGH DIELE) | 0.1M   | 50V  | Z F    | TA52   |       |
| 647 | FFH-818A | <b>OCN1040K949</b> | CAPACITOR TUBULA(HIGH DIELE) | 0.1M   | 50V  | Z F    | TA52   |       |
| 648 | FFH-818A | <b>OCE338H96A0</b> | CAPACITOR,AL.ELECTROLYTIC    | 3300UF | DL   | 75V    | M VNSN | BULK  |
| 649 | FFH-818A | <b>OCE338H96A0</b> | CAPACITOR,AL.ELECTROLYTIC    | 3300UF | DL   | 75V    | M VNSN | BULK  |
| 650 | FFH-818A | <b>OCE338H96A0</b> | CAPACITOR,AL.ELECTROLYTIC    | 3300UF | DL   | 75V    | M VNSN | BULK  |
| 651 | FFH-818A | <b>OCQ2231N409</b> | CAPACITOR POLYESTER(MYLAR)   | 0.022U | 100V | J POLY | TP     |       |
| 652 | FFH-818A | <b>OCQ2231N409</b> | CAPACITOR POLYESTER(MYLAR)   | 0.022U | 100V | J POLY | TP     |       |
| 653 | FFH-818A | <b>OCQ2231N409</b> | CAPACITOR POLYESTER(MYLAR)   | 0.022U | 100V | J POLY | TP     |       |
| 654 | FFH-818A | <b>OCQ2231N409</b> | CAPACITOR POLYESTER(MYLAR)   | 0.022U | 100V | J POLY | TP     |       |
| 655 | FFH-818A | <b>OCE338CJ650</b> | CAPACITOR,ELECTROLYT         | 3300UF | SHL  | 35V    | M FM7  |       |
| 656 | FFH-818A | <b>OCE338CJ650</b> | CAPACITOR,ELECTROLYT         | 3300UF | SHL  | 35V    | M FM7  |       |
| 657 | FFH-818A | <b>OCE1056K618</b> | CAPACITOR,ELECTROLYTIC       | 1.0M   | SMS  | 50V    | M FL   | TP(5) |
| 658 | FFH-818A | <b>OCE1056K618</b> | CAPACITOR,ELECTROLYTIC       | 1.0M   | SMS  | 50V    | M FL   | TP(5) |
| 659 | FFH-818A | <b>OCE1076D618</b> | CAPACITOR,ELECTROLYTIC       | 100M   | SMS  | 10V    | M FM5  | TP(5) |
| 660 | FFH-818A | <b>OCE1076D618</b> | CAPACITOR,ELECTROLYTIC       | 100M   | SMS  | 10V    | M FM5  | TP(5) |
| 661 | FFH-818A | <b>OCN1020K519</b> | CAPACITOR TUBULA(HIGH DIELE) | 1000P  | 50V  | K B    | TA52   |       |
| 662 | FFH-818A | <b>OCN1020K519</b> | CAPACITOR TUBULA(HIGH DIELE) | 1000P  | 50V  | K B    | TA52   |       |
| 663 | FFH-818A | <b>OCE4766F618</b> | CAPACITOR,ELECTROLYTIC       | 47M    | SMS  | 16V    | M FL   | TP(5) |
| 664 | FFH-818A | <b>OCE4766F618</b> | CAPACITOR,ELECTROLYTIC       | 47M    | SMS  | 16V    | M FL   | TP(5) |
| 665 | FFH-818A | <b>OCX2R20K419</b> | CAPACITOR,TUBULAR(T.C)       | 2.2PF  | 50V  | J NP0  | TA52   |       |
| 666 | FFH-818A | <b>OCX2R20K419</b> | CAPACITOR,TUBULAR(T.C)       | 2.2PF  | 50V  | J NP0  | TA52   |       |
| 667 | FFH-818A | <b>OCN4720F669</b> | CAPACITOR TUBULA(HIGH DIELE) | 4700P  | 16V  | M X    | TA52   |       |
| 668 | FFH-818A | <b>OCN4720F669</b> | CAPACITOR TUBULA(HIGH DIELE) | 4700P  | 16V  | M X    | TA52   |       |
| 669 | FFH-818A | <b>OCN1030F679</b> | CAPACITOR TUBULA(HIGH DIELE) | 0.01MF | 16V  | M Y    | TA52   |       |
| 670 | FFH-818A | <b>OCN1030F679</b> | CAPACITOR TUBULA(HIGH DIELE) | 0.01MF | 16V  | M Y    | TA52   |       |
| 671 | FFH-818A | <b>OCE1056K618</b> | CAPACITOR,ELECTROLYTIC       | 1.0M   | SMS  | 50V    | M FL   | TP(5) |
| 672 | FFH-818A | <b>OCE1056K618</b> | CAPACITOR,ELECTROLYTIC       | 1.0M   | SMS  | 50V    | M FL   | TP(5) |
| 673 | FFH-818A | <b>OCE4766F618</b> | CAPACITOR,ELECTROLYTIC       | 47M    | SMS  | 16V    | M FL   | TP(5) |
| 674 | FFH-818A | <b>OCE4766F618</b> | CAPACITOR,ELECTROLYTIC       | 47M    | SMS  | 16V    | M FL   | TP(5) |
| 675 | FFH-818A | <b>OCN1520F569</b> | CAPACITOR TUBULA(HIGH DIELE) | 1500P  | 16V  | K X    | TA52   |       |
| 676 | FFH-818A | <b>OCN1520F569</b> | CAPACITOR TUBULA(HIGH DIELE) | 1500P  | 16V  | K X    | TA52   |       |
| 677 | FFH-818A | <b>OCN1030F679</b> | CAPACITOR TUBULA(HIGH DIELE) | 0.01MF | 16V  | M Y    | TA52   |       |
| 678 | FFH-818A | <b>OCN1030F679</b> | CAPACITOR TUBULA(HIGH DIELE) | 0.01MF | 16V  | M Y    | TA52   |       |
| 679 | FFH-818A | <b>OCE4756K618</b> | CAPACITOR,ELECTROLYTIC       | 4.7M   | SMS  | 50V    | M FL   | TP(5) |
| 680 | FFH-818A | <b>OCE4756K618</b> | CAPACITOR,ELECTROLYTIC       | 4.7M   | SMS  | 50V    | M FL   | TP(5) |
| 681 | FFH-818A | <b>OCE4766F618</b> | CAPACITOR,ELECTROLYTIC       | 47M    | SMS  | 16V    | M FL   | TP(5) |
| 682 | FFH-818A | <b>OCE4766F618</b> | CAPACITOR,ELECTROLYTIC       | 47M    | SMS  | 16V    | M FL   | TP(5) |
| 683 | FFH-818A | <b>OCN1030F679</b> | CAPACITOR TUBULA(HIGH DIELE) | 0.01MF | 16V  | M Y    | TA52   |       |
| 684 | FFH-818A | <b>OCN1030F679</b> | CAPACITOR TUBULA(HIGH DIELE) | 0.01MF | 16V  | M Y    | TA52   |       |
| 685 | FFH-818A | <b>OCQ3331N409</b> | CAPACITOR POLYESTER(MYLAR)   | 0.033U | 100V | J POLY | TP     |       |
| 686 | FFH-818A | <b>OCQ3331N409</b> | CAPACITOR POLYESTER(MYLAR)   | 0.033U | 100V | J POLY | TP     |       |
| 687 | FFH-818A | <b>OCE1076D618</b> | CAPACITOR,ELECTROLYTIC       | 100M   | SMS  | 10V    | M FM5  | TP(5) |
| 688 | FFH-818A | <b>OCE1076D618</b> | CAPACITOR,ELECTROLYTIC       | 100M   | SMS  | 10V    | M FM5  | TP(5) |
| 689 | FFH-818A | <b>OCE4756K618</b> | CAPACITOR,ELECTROLYTIC       | 4.7M   | SMS  | 50V    | M FL   | TP(5) |
| 690 | FFH-818A | <b>OCE4756K618</b> | CAPACITOR,ELECTROLYTIC       | 4.7M   | SMS  | 50V    | M FL   | TP(5) |
| 691 | FFH-818A | <b>OCQ1041N409</b> | CAPACITOR POLYESTER(MYLAR)   | 0.1U   | 100V | J POLY | TP     |       |
| 692 | FFH-818A | <b>OCQ1041N409</b> | CAPACITOR POLYESTER(MYLAR)   | 0.1U   | 100V | J POLY | TP     |       |
| 693 | FFH-818A | <b>OCN1040K949</b> | CAPACITOR TUBULA(HIGH DIELE) | 0.1M   | 50V  | Z F    | TA52   |       |
| 694 | FFH-818A | <b>OCN1040K949</b> | CAPACITOR TUBULA(HIGH DIELE) | 0.1M   | 50V  | Z F    | TA52   |       |
| 695 | FFH-818A | <b>OCN5610K519</b> | CAPACITOR TUBULA(HIGH DIELE) | 560P   | 50V  | K B    | TA52   |       |
| 696 | FFH-818A | <b>OCN5610K519</b> | CAPACITOR TUBULA(HIGH DIELE) | 560P   | 50V  | K B    | TA52   |       |
| 697 | FFH-818A | <b>OCN1040K949</b> | CAPACITOR TUBULA(HIGH DIELE) | 0.1M   | 50V  | Z F    | TA52   |       |
| 698 | FFH-818A | <b>OCN1040K949</b> | CAPACITOR TUBULA(HIGH DIELE) | 0.1M   | 50V  | Z F    | TA52   |       |

|     |          |                    |                               |                           |
|-----|----------|--------------------|-------------------------------|---------------------------|
| 699 | FFH-818A | <b>0CN1040K949</b> | CAPACITOR TUBULA(HIGH DIELE)  | 0.1M 50V Z F TA52         |
| 700 | FFH-818A | <b>0CN1040K949</b> | CAPACITOR TUBULA(HIGH DIELE)  | 0.1M 50V Z F TA52         |
| 701 | FFH-818A | <b>0CN1040K949</b> | CAPACITOR TUBULA(HIGH DIELE)  | 0.1M 50V Z F TA52         |
| 702 | FFH-818A | <b>0CN1040K949</b> | CAPACITOR TUBULA(HIGH DIELE)  | 0.1M 50V Z F TA52         |
| 703 | FFH-818A | <b>0CN1020K519</b> | CAPACITOR TUBULA(HIGH DIELE)  | 1000P 50V K B TA52        |
| 704 | FFH-818A | <b>0CN1020K519</b> | CAPACITOR TUBULA(HIGH DIELE)  | 1000P 50V K B TA52        |
| 705 | FFH-818A | <b>0CN2220F669</b> | CAPACITOR TUBULA(HIGH DIELE)  | 2200P 16V M X TA52        |
| 706 | FFH-818A | <b>0CN2220F669</b> | CAPACITOR TUBULA(HIGH DIELE)  | 2200P 16V M X TA52        |
| 707 | FFH-818A | <b>0CE2246K618</b> | CAPACITOR,ELECTROLYTIC        | 0.22M SMS 50V M FM5 TP(5) |
| 708 | FFH-818A | <b>0CE2246K618</b> | CAPACITOR,ELECTROLYTIC        | 0.22M SMS 50V M FM5 TP(5) |
| 709 | FFH-818A | <b>0CN4720F669</b> | CAPACITOR TUBULA(HIGH DIELE)  | 4700P 16V M X TA52        |
| 710 | FFH-818A | <b>0CN4720F669</b> | CAPACITOR TUBULA(HIGH DIELE)  | 4700P 16V M X TA52        |
| 711 | FFH-818A | <b>0CN1010K519</b> | CAPACITOR TUBULA(HIGH DIELE)  | 100P 50V K B TA52         |
| 712 | FFH-818A | <b>0CN1010K519</b> | CAPACITOR TUBULA(HIGH DIELE)  | 100P 50V K B TA52         |
| 713 | FFH-818A | <b>0CN1030F679</b> | CAPACITOR TUBULA(HIGH DIELE)  | 0.01MF 16V M Y TA52       |
| 714 | FFH-818A | <b>0CN1030F679</b> | CAPACITOR TUBULA(HIGH DIELE)  | 0.01MF 16V M Y TA52       |
| 715 | FFH-818A | <b>0CQ6831N409</b> | CAPACITOR POLYESTER(MYLAR)    | 0.068U 100V J POLY TP     |
| 716 | FFH-818A | <b>0CQ6831N409</b> | CAPACITOR POLYESTER(MYLAR)    | 0.068U 100V J POLY TP     |
| 717 | FFH-818A | <b>0CE1066J618</b> | CAPACITOR,ELECTROLYTIC        | 10M SMS 35V M FL TP(5)    |
| 718 | FFH-818A | <b>0CE1066J618</b> | CAPACITOR,ELECTROLYTIC        | 10M SMS 35V M FL TP(5)    |
| 719 | FFH-818A | <b>0CE4776D618</b> | CAPACITOR,ELECTROLYTIC        | 470M SMS 10V M FL TP(5)   |
| 720 | FFH-818A | <b>0CE4776D618</b> | CAPACITOR,ELECTROLYTIC        | 470M SMS 10V M FL TP(5)   |
| 721 | FFH-818A | <b>0CN1020K519</b> | CAPACITOR TUBULA(HIGH DIELE)  | 1000P 50V K B TA52        |
| 722 | FFH-818A | <b>0CN1020K519</b> | CAPACITOR TUBULA(HIGH DIELE)  | 1000P 50V K B TA52        |
| 723 | FFH-818A | <b>0CN6820F669</b> | CAPACITOR TUBULA(HIGH DIELE)  | 6800P 16V M X TA(52)      |
| 724 | FFH-818A | <b>0CN6820F669</b> | CAPACITOR TUBULA(HIGH DIELE)  | 6800P 16V M X TA(52)      |
| 725 | FFH-818A | <b>0CN2230H949</b> | CAPACITOR TUBULA(HIGH DIELE)  | 22000P 25V Z FTA52        |
| 726 | FFH-818A | <b>0CN2230H949</b> | CAPACITOR TUBULA(HIGH DIELE)  | 22000P 25V Z FTA52        |
| 727 | FFH-818A | <b>0CN1040K949</b> | CAPACITOR TUBULA(HIGH DIELE)  | 0.1M 50V Z F TA52         |
| 728 | FFH-818A | <b>0CN1040K949</b> | CAPACITOR TUBULA(HIGH DIELE)  | 0.1M 50V Z F TA52         |
| 729 | FFH-818A | <b>0CN1040K949</b> | CAPACITOR TUBULA(HIGH DIELE)  | 0.1M 50V Z F TA52         |
| 730 | FFH-818A | <b>0CN1040K949</b> | CAPACITOR TUBULA(HIGH DIELE)  | 0.1M 50V Z F TA52         |
| 731 | FFH-818A | <b>0CQ3331N409</b> | CAPACITOR POLYESTER(MYLAR)    | 0.033U 100V J POLY TP     |
| 732 | FFH-818A | <b>0CQ3331N409</b> | CAPACITOR POLYESTER(MYLAR)    | 0.033U 100V J POLY TP     |
| 733 | FFH-818A | <b>0CE4746K618</b> | CAPACITOR,ELECTROLYTIC        | 0.47M SMS 50V M FL TP(5)  |
| 734 | FFH-818A | <b>0CE4746K618</b> | CAPACITOR,ELECTROLYTIC        | 0.47M SMS 50V M FL TP(5)  |
| 735 | FFH-818A | <b>0CE4746K618</b> | CAPACITOR,ELECTROLYTIC        | 0.47M SMS 50V M FL TP(5)  |
| 736 | FFH-818A | <b>0CE4746K618</b> | CAPACITOR,ELECTROLYTIC        | 0.47M SMS 50V M FL TP(5)  |
| 737 | FFH-818A | <b>0CN1030F679</b> | CAPACITOR TUBULA(HIGH DIELE)  | 0.01MF 16V M Y TA52       |
| 738 | FFH-818A | <b>0CN1030F679</b> | CAPACITOR TUBULA(HIGH DIELE)  | 0.01MF 16V M Y TA52       |
| 739 | FFH-818A | <b>0CE1076D618</b> | CAPACITOR,ELECTROLYTIC        | 100M SMS 10V M FM5 TP(5)  |
| 740 | FFH-818A | <b>0CE1076D618</b> | CAPACITOR,ELECTROLYTIC        | 100M SMS 10V M FM5 TP(5)  |
| 741 | FFH-818A | <b>0CN4730K949</b> | CAPACITOR TUBULA(HIGH DIELE)  | 0.047M 50V Z F TA52       |
| 742 | FFH-818A | <b>0CN4730K949</b> | CAPACITOR TUBULA(HIGH DIELE)  | 0.047M 50V Z F TA52       |
| 743 | FFH-818A | <b>0CN1030F679</b> | CAPACITOR TUBULA(HIGH DIELE)  | 0.01MF 16V M Y TA52       |
| 744 | FFH-818A | <b>0CN1030F679</b> | CAPACITOR TUBULA(HIGH DIELE)  | 0.01MF 16V M Y TA52       |
| 745 | FFH-818A | <b>0CN1520F569</b> | CAPACITOR TUBULA(HIGH DIELE)  | 1500P 16V K X TA52        |
| 746 | FFH-818A | <b>0CN1520F569</b> | CAPACITOR TUBULA(HIGH DIELE)  | 1500P 16V K X TA52        |
| 747 | FFH-818A | <b>0CX3300K409</b> | CAPACITOR TUBULA(T.C)         | 33P 50V J SL TA52         |
| 748 | FFH-818A | <b>0CX3300K409</b> | CAPACITOR TUBULA(T.C)         | 33P 50V J SL TA52         |
| 749 | FFH-818A | <b>0CX3300K409</b> | CAPACITOR TUBULA(T.C)         | 33P 50V J SL TA52         |
| 750 | FFH-818A | <b>0CX3300K409</b> | CAPACITOR TUBULA(T.C)         | 33P 50V J SL TA52         |
| 751 | FFH-818A | <b>0CE4776D618</b> | CAPACITOR,ELECTROLYTIC        | 470M SMS 10V M FL TP(5)   |
| 752 | FFH-818A | <b>0CE4776D618</b> | CAPACITOR,ELECTROLYTIC        | 470M SMS 10V M FL TP(5)   |
| 753 | FFH-818A | <b>0CN2230H949</b> | CAPACITOR TUBULA(HIGH DIELE)  | 22000P 25V Z FTA52        |
| 754 | FFH-818A | <b>0CN2230H949</b> | CAPACITOR TUBULA(HIGH DIELE)  | 22000P 25V Z FTA52        |
| 755 | FFH-818A | <b>0CN1030F679</b> | CAPACITOR TUBULA(HIGH DIELE)  | 0.01MF 16V M Y TA52       |
| 756 | FFH-818A | <b>0CN1030F679</b> | CAPACITOR TUBULA(HIGH DIELE)  | 0.01MF 16V M Y TA52       |
| 757 | FFH-818A | <b>0CK1020K945</b> | CAPACITOR,CERAMIC(HIGH DIELE) | 1000P 50V Z F TS          |
| 758 | FFH-818A | <b>0CK1020K945</b> | CAPACITOR,CERAMIC(HIGH DIELE) | 1000P 50V Z F TS          |
| 759 | FFH-818A | <b>0CN1040K949</b> | CAPACITOR TUBULA(HIGH DIELE)  | 0.1M 50V Z F TA52         |
| 760 | FFH-818A | <b>0CN1040K949</b> | CAPACITOR TUBULA(HIGH DIELE)  | 0.1M 50V Z F TA52         |
| 761 | FFH-818A | <b>0CE1076D618</b> | CAPACITOR,ELECTROLYTIC        | 100M SMS 10V M FM5 TP(5)  |
| 762 | FFH-818A | <b>0CE1076D618</b> | CAPACITOR,ELECTROLYTIC        | 100M SMS 10V M FM5 TP(5)  |
| 763 | FFH-818A | <b>0CN1040K949</b> | CAPACITOR TUBULA(HIGH DIELE)  | 0.1M 50V Z F TA52         |
| 764 | FFH-818A | <b>0CN1040K949</b> | CAPACITOR TUBULA(HIGH DIELE)  | 0.1M 50V Z F TA52         |
| 765 | FFH-818A | <b>0CN1040K949</b> | CAPACITOR TUBULA(HIGH DIELE)  | 0.1M 50V Z F TA52         |
| 766 | FFH-818A | <b>0CN1040K949</b> | CAPACITOR TUBULA(HIGH DIELE)  | 0.1M 50V Z F TA52         |
| 767 | FFH-818A | <b>0CN1030F679</b> | CAPACITOR TUBULA(HIGH DIELE)  | 0.01MF 16V M Y TA52       |
| 768 | FFH-818A | <b>0CN1030F679</b> | CAPACITOR TUBULA(HIGH DIELE)  | 0.01MF 16V M Y TA52       |

|     |          |                    |                              |                                |       |
|-----|----------|--------------------|------------------------------|--------------------------------|-------|
| 769 | FFH-818A | <b>0CN1040K949</b> | CAPACITOR TUBULA(HIGH DIELE) | 0.1M 50V Z F TA52              |       |
| 770 | FFH-818A | <b>0CN1040K949</b> | CAPACITOR TUBULA(HIGH DIELE) | 0.1M 50V Z F TA52              |       |
| 771 | FFH-818A | <b>0CE4776F618</b> | CAPACITOR,ELECTROLYTIC       | 470M SMS 16V M FL              | TP(5) |
| 772 | FFH-818A | <b>0CE4776F618</b> | CAPACITOR,ELECTROLYTIC       | 470M SMS 16V M FL              | TP(5) |
| 773 | FFH-818A | <b>0CN1040K949</b> | CAPACITOR TUBULA(HIGH DIELE) | 0.1M 50V Z F TA52              |       |
| 774 | FFH-818A | <b>0CN1040K949</b> | CAPACITOR TUBULA(HIGH DIELE) | 0.1M 50V Z F TA52              |       |
| 775 | FFH-818A | <b>0CN1020K519</b> | CAPACITOR TUBULA(HIGH DIELE) | 1000P 50V K B TA52             |       |
| 776 | FFH-818A | <b>0CN1020K519</b> | CAPACITOR TUBULA(HIGH DIELE) | 1000P 50V K B TA52             |       |
| 777 | FFH-818A | <b>0CN1020K519</b> | CAPACITOR TUBULA(HIGH DIELE) | 1000P 50V K B TA52             |       |
| 778 | FFH-818A | <b>0CN1020K519</b> | CAPACITOR TUBULA(HIGH DIELE) | 1000P 50V K B TA52             |       |
| 779 | FFH-818A | <b>0CE4756K618</b> | CAPACITOR,ELECTROLYTIC       | 4.7M SMS 50V M FL              | TP(5) |
| 780 | FFH-818A | <b>0CE4756K618</b> | CAPACITOR,ELECTROLYTIC       | 4.7M SMS 50V M FL              | TP(5) |
| 781 | FFH-818A | <b>0CN1510K519</b> | CAPACITOR TUBULA(HIGH DIELE) | 150P 50V K B TA52              |       |
| 782 | FFH-818A | <b>0CN1510K519</b> | CAPACITOR TUBULA(HIGH DIELE) | 150P 50V K B TA52              |       |
| 783 | FFH-818A | <b>0CN1520F569</b> | CAPACITOR TUBULA(HIGH DIELE) | 1500P 16V K X TA52             |       |
| 784 | FFH-818A | <b>0CN1520F569</b> | CAPACITOR TUBULA(HIGH DIELE) | 1500P 16V K X TA52             |       |
| 785 | FFH-818A | <b>0CN3310K519</b> | CAPACITOR TUBULA(HIGH DIELE) | 330P 50V K B TA52              |       |
| 786 | FFH-818A | <b>0CN3310K519</b> | CAPACITOR TUBULA(HIGH DIELE) | 330P 50V K B TA52              |       |
| 787 | FFH-818A | <b>0CE4756K618</b> | CAPACITOR,ELECTROLYTIC       | 4.7M SMS 50V M FL              | TP(5) |
| 788 | FFH-818A | <b>0CE4756K618</b> | CAPACITOR,ELECTROLYTIC       | 4.7M SMS 50V M FL              | TP(5) |
| 789 | FFH-818A | <b>0CN4720F669</b> | CAPACITOR TUBULA(HIGH DIELE) | 4700P 16V M X TA52             |       |
| 790 | FFH-818A | <b>0CN4720F669</b> | CAPACITOR TUBULA(HIGH DIELE) | 4700P 16V M X TA52             |       |
| 791 | FFH-818A | <b>0CN1020K519</b> | CAPACITOR TUBULA(HIGH DIELE) | 1000P 50V K B TA52             |       |
| 792 | FFH-818A | <b>0CN1020K519</b> | CAPACITOR TUBULA(HIGH DIELE) | 1000P 50V K B TA52             |       |
| 793 | FFH-818A | <b>0CE1056K618</b> | CAPACITOR,ELECTROLYTIC       | 1.0M SMS 50V M FL              | TP(5) |
| 794 | FFH-818A | <b>0CE1056K618</b> | CAPACITOR,ELECTROLYTIC       | 1.0M SMS 50V M FL              | TP(5) |
| 795 | FFH-818A | <b>0CN1020K519</b> | CAPACITOR TUBULA(HIGH DIELE) | 1000P 50V K B TA52             |       |
| 796 | FFH-818A | <b>0CN1020K519</b> | CAPACITOR TUBULA(HIGH DIELE) | 1000P 50V K B TA52             |       |
| 797 | FFH-818A | <b>0CE4756K618</b> | CAPACITOR,ELECTROLYTIC       | 4.7M SMS 50V M FL              | TP(5) |
| 798 | FFH-818A | <b>0CE4756K618</b> | CAPACITOR,ELECTROLYTIC       | 4.7M SMS 50V M FL              | TP(5) |
| 799 | FFH-818A | <b>0CN1510K519</b> | CAPACITOR TUBULA(HIGH DIELE) | 150P 50V K B TA52              |       |
| 800 | FFH-818A | <b>0CN1510K519</b> | CAPACITOR TUBULA(HIGH DIELE) | 150P 50V K B TA52              |       |
| 801 | FFH-818A | <b>0CN1520F569</b> | CAPACITOR TUBULA(HIGH DIELE) | 1500P 16V K X TA52             |       |
| 802 | FFH-818A | <b>0CN1520F569</b> | CAPACITOR TUBULA(HIGH DIELE) | 1500P 16V K X TA52             |       |
| 803 | FFH-818A | <b>0CN3310K519</b> | CAPACITOR TUBULA(HIGH DIELE) | 330P 50V K B TA52              |       |
| 804 | FFH-818A | <b>0CN3310K519</b> | CAPACITOR TUBULA(HIGH DIELE) | 330P 50V K B TA52              |       |
| 805 | FFH-818A | <b>0CE4756K618</b> | CAPACITOR,ELECTROLYTIC       | 4.7M SMS 50V M FL              | TP(5) |
| 806 | FFH-818A | <b>0CE4756K618</b> | CAPACITOR,ELECTROLYTIC       | 4.7M SMS 50V M FL              | TP(5) |
| 807 | FFH-818A | <b>0CN4720F669</b> | CAPACITOR TUBULA(HIGH DIELE) | 4700P 16V M X TA52             |       |
| 808 | FFH-818A | <b>0CN4720F669</b> | CAPACITOR TUBULA(HIGH DIELE) | 4700P 16V M X TA52             |       |
| 809 | FFH-818A | <b>0CN1020K519</b> | CAPACITOR TUBULA(HIGH DIELE) | 1000P 50V K B TA52             |       |
| 810 | FFH-818A | <b>0CN1020K519</b> | CAPACITOR TUBULA(HIGH DIELE) | 1000P 50V K B TA52             |       |
| 811 | FFH-818A | <b>88H-0003</b>    | CD MECHA PARTS               | 3X12X10FZMY                    |       |
| 812 | FFH-818A | <b>88H-0003</b>    | CD MECHA PARTS               | 3X12X10FZMY                    |       |
| 813 | FFH-818A | <b>616-008B</b>    | FILTER CERAMIC               | SFE10.7MS2(RD) 230K            | (S)   |
| 814 | FFH-818A | <b>616-008B</b>    | FILTER CERAMIC               | SFE10.7MS2(RD) 230K            | (S)   |
| 815 | FFH-818A | <b>561-640J</b>    | CONNECTOR                    | GL200-10P-TS P=2.0 HOLDER GSC  |       |
| 816 | FFH-818A | <b>561-640J</b>    | CONNECTOR                    | GL200-10P-TS P=2.0 HOLDER GSC  |       |
| 817 | FFH-818A | <b>561-640L</b>    | CONNECTOR                    | GL200-12P-TS P=2.0 HOLDER GSC  |       |
| 818 | FFH-818A | <b>561-640L</b>    | CONNECTOR                    | GL200-12P-TS P=2.0 HOLDER GSC  |       |
| 819 | FFH-818A | <b>561-640H</b>    | CONNECTOR                    | GL200-08P-TS P=2.0 HOLDER GSC  |       |
| 820 | FFH-818A | <b>561-640H</b>    | CONNECTOR                    | GL200-08P-TS P=2.0 HOLDER GSC  |       |
| 821 | FFH-818A | <b>6630S-BC044</b> | CONNECTOR (CIRC)             | TKC-V30X-A1 TAIKO DENKI 30PIN  |       |
| 822 | FFH-818A | <b>6630S-BC044</b> | CONNECTOR (CIRC)             | TKC-V30X-A1 TAIKO DENKI 30PIN  |       |
| 823 | FFH-818A | <b>561-640J</b>    | CONNECTOR                    | GL200-10P-TS P=2.0 HOLDER GSC  |       |
| 824 | FFH-818A | <b>561-640J</b>    | CONNECTOR                    | GL200-10P-TS P=2.0 HOLDER GSC  |       |
| 825 | FFH-818A | <b>6850SCGP24A</b> | CABLE,FLAT                   | P=1.0 FFC UL2896 16 240 A TYPE |       |
| 826 | FFH-818A | <b>6850SCGP24A</b> | CABLE,FLAT                   | P=1.0 FFC UL2896 16 240 A TYPE |       |
| 827 | FFH-818A | <b>561-707T</b>    | WAFER                        | FFC 52492-2020 J-MOLEX         |       |
| 828 | FFH-818A | <b>561-707T</b>    | WAFER                        | FFC 52492-2020 J-MOLEX         |       |
| 829 | FFH-818A | <b>353-025C</b>    | SCREW                        | SPECIAL 3X10 FBK               |       |
| 830 | FFH-818A | <b>353-025C</b>    | SCREW                        | SPECIAL 3X10 FBK               |       |
| 831 | FFH-818A | <b>0DR102109AA</b> | DIODE,RECTIFIER              | RL102-10C TP GULF SEMICONDUCTO |       |
| 832 | FFH-818A | <b>0DR102109AA</b> | DIODE,RECTIFIER              | RL102-10C TP GULF SEMICONDUCTO |       |
| 833 | FFH-818A | <b>0DR102109AA</b> | DIODE,RECTIFIER              | RL102-10C TP GULF SEMICONDUCTO |       |
| 834 | FFH-818A | <b>0DD133009AB</b> | DIODE,SWITCHING              | 1SS133,T-72(52MM) TP ROHM-K    |       |
| 835 | FFH-818A | <b>0DD133009AB</b> | DIODE,SWITCHING              | 1SS133,T-72(52MM) TP ROHM-K    |       |
| 836 | FFH-818A | <b>0DR102109AA</b> | DIODE,RECTIFIER              | RL102-10C TP GULF SEMICONDUCTO |       |
| 837 | FFH-818A | <b>0DR102109AA</b> | DIODE,RECTIFIER              | RL102-10C TP GULF SEMICONDUCTO |       |
| 838 | FFH-818A | <b>0DR102109AA</b> | DIODE,RECTIFIER              | RL102-10C TP GULF SEMICONDUCTO |       |



|              |                    |                          |                                |
|--------------|--------------------|--------------------------|--------------------------------|
| 909 FFH-818A | <b>353-025C</b>    | SCREW                    | SPECIAL 3X10 FBK               |
| 910 FFH-818A | <b>353-025C</b>    | SCREW                    | SPECIAL 3X10 FBK               |
| 911 FFH-818A | <b>353-025C</b>    | SCREW                    | SPECIAL 3X10 FBK               |
| 912 FFH-818A | <b>353-025C</b>    | SCREW                    | SPECIAL 3X10 FBK               |
| 913 FFH-818A | <b>0FT4001B510</b> | FUSE,TIME LAG            | 4A 250V 5.2X20 CY/GL           |
| 914 FFH-818A | <b>0FT4001B510</b> | FUSE,TIME LAG            | 4A 250V 5.2X20 CY/GL           |
| 915 FFH-818A | <b>586T001C</b>    | FUSE HOLDER              | PIN CLIP TAPPING 5X20 KS       |
| 916 FFH-818A | <b>586T001C</b>    | FUSE HOLDER              | PIN CLIP TAPPING 5X20 KS       |
| 917 FFH-818A | <b>586T001C</b>    | FUSE HOLDER              | PIN CLIP TAPPING 5X20 KS       |
| 918 FFH-818A | <b>586T001C</b>    | FUSE HOLDER              | PIN CLIP TAPPING 5X20 KS       |
| 919 FFH-818A | <b>0FT6301B510</b> | FUSE,TIME                | 250V 5.2X20 CY/GL              |
| 920 FFH-818A | <b>0FT6301B510</b> | FUSE,TIME                | 250V 5.2X20 CY/GL              |
| 921 FFH-818A | <b>586T001C</b>    | FUSE HOLDER              | PIN CLIP TAPPING 5X20 KS       |
| 922 FFH-818A | <b>586T001C</b>    | FUSE HOLDER              | PIN CLIP TAPPING 5X20 KS       |
| 923 FFH-818A | <b>586T001C</b>    | FUSE HOLDER              | PIN CLIP TAPPING 5X20 KS       |
| 924 FFH-818A | <b>586T001C</b>    | FUSE HOLDER              | PIN CLIP TAPPING 5X20 KS       |
| 925 FFH-818A | <b>0FT6301B510</b> | FUSE,TIME                | 250V 5.2X20 CY/GL              |
| 926 FFH-818A | <b>0FT6301B510</b> | FUSE,TIME                | 250V 5.2X20 CY/GL              |
| 927 FFH-818A | <b>586T001C</b>    | FUSE HOLDER              | PIN CLIP TAPPING 5X20 KS       |
| 928 FFH-818A | <b>586T001C</b>    | FUSE HOLDER              | PIN CLIP TAPPING 5X20 KS       |
| 929 FFH-818A | <b>586T001C</b>    | FUSE HOLDER              | PIN CLIP TAPPING 5X20 KS       |
| 930 FFH-818A | <b>586T001C</b>    | FUSE HOLDER              | PIN CLIP TAPPING 5X20 KS       |
| 931 FFH-818A | <b>0FT4001B510</b> | FUSE,TIME LAG            | 4A 250V 5.2X20 CY/GL           |
| 932 FFH-818A | <b>0FT4001B510</b> | FUSE,TIME LAG            | 4A 250V 5.2X20 CY/GL           |
| 933 FFH-818A | <b>586T001C</b>    | FUSE HOLDER              | PIN CLIP TAPPING 5X20 KS       |
| 934 FFH-818A | <b>586T001C</b>    | FUSE HOLDER              | PIN CLIP TAPPING 5X20 KS       |
| 935 FFH-818A | <b>586T001C</b>    | FUSE HOLDER              | PIN CLIP TAPPING 5X20 KS       |
| 936 FFH-818A | <b>586T001C</b>    | FUSE HOLDER              | PIN CLIP TAPPING 5X20 KS       |
| 937 FFH-818A | <b>353-025C</b>    | SCREW                    | SPECIAL 3X10 FBK               |
| 938 FFH-818A | <b>353-025C</b>    | SCREW                    | SPECIAL 3X10 FBK               |
| 939 FFH-818A | <b>88H-0002</b>    | CD MECHA PARTS           | 3X9X12FZMY                     |
| 940 FFH-818A | <b>88H-0002</b>    | CD MECHA PARTS           | 3X9X12FZMY                     |
| 941 FFH-818A | <b>353-025C</b>    | SCREW                    | SPECIAL 3X10 FBK               |
| 942 FFH-818A | <b>353-025C</b>    | SCREW                    | SPECIAL 3X10 FBK               |
| 943 FFH-818A | <b>0ISA183700A</b> | IC,SANYO                 | LA1837 30P DIP BK AM/FM IF MPX |
| 944 FFH-818A | <b>0ISA183700A</b> | IC,SANYO                 | LA1837 30P DIP BK AM/FM IF MPX |
| 945 FFH-818A | <b>0ISA721310A</b> | IC,SANYO                 | LC72131D 22P DIP BK PLL FOR TU |
| 946 FFH-818A | <b>0ISA721310A</b> | IC,SANYO                 | LC72131D 22P DIP BK PLL FOR TU |
| 947 FFH-818A | <b>0IRH312600A</b> | IC,ROHM                  | BA3126N HI-VOL HEAD S/W,ROHM/  |
| 948 FFH-818A | <b>0IRH312600A</b> | IC,ROHM                  | BA3126N HI-VOL HEAD S/W,ROHM/  |
| 949 FFH-818A | <b>0IKE628900A</b> | IC,KEC                   | KIA6289N (KIA148N) KEC         |
| 950 FFH-818A | <b>0IKE628900A</b> | IC,KEC                   | KIA6289N (KIA148N) KEC         |
| 951 FFH-818A | <b>0ISA866548Q</b> | IC,SANYO                 | LC866548V-5M82 100P QFP BK MIC |
| 952 FFH-818A | <b>0ISA866548Q</b> | IC,SANYO                 | LC866548V-5M82 100P QFP BK MIC |
| 953 FFH-818A | <b>0IMY700000A</b> | IC,MSI                   | MSGEQ7 8P DIP BK 7 BAND GRAPHI |
| 954 FFH-818A | <b>0IMY700000A</b> | IC,MSI                   | MSGEQ7 8P DIP BK 7 BAND GRAPHI |
| 955 FFH-818A | <b>0ISG744000A</b> | IC,SGS-THOMSON           | TDA7440D 28P SOP BK FUNCTION   |
| 956 FFH-818A | <b>0ISG744000A</b> | IC,SGS-THOMSON           | TDA7440D 28P SOP BK FUNCTION   |
| 957 FFH-818A | <b>0IHI497830B</b> | IC,HITACHI               | HD49783FP S/SERIAL BUS SOP ST  |
| 958 FFH-818A | <b>0IHI497830B</b> | IC,HITACHI               | HD49783FP S/SERIAL BUS SOP ST  |
| 959 FFH-818A | <b>0ISA411220A</b> | IC,SANYO                 | STK411-220E 22P SIP BK PWR AMP |
| 960 FFH-818A | <b>0ISA411220A</b> | IC,SANYO                 | STK411-220E 22P SIP BK PWR AMP |
| 961 FFH-818A | <b>0IKE780500H</b> | IC,KEC                   | KIA7805PI 5V 1A REG/VOLT,KEC   |
| 962 FFH-818A | <b>0IKE780500H</b> | IC,KEC                   | KIA7805PI 5V 1A REG/VOLT,KEC   |
| 963 FFH-818A | <b>0ISS781200E</b> | IC,SAMSUNG SEMICONDUCTOR | KA78R12 TO-220 LD 1A REGL      |
| 964 FFH-818A | <b>0ISS781200E</b> | IC,SAMSUNG SEMICONDUCTOR | KA78R12 TO-220 LD 1A REGL      |
| 965 FFH-818A | <b>0ISS922300A</b> | IC,SAMSUNG ELECTRONICS   | KB9223 80P QFP BK CD ASP       |
| 966 FFH-818A | <b>0ISS922300A</b> | IC,SAMSUNG ELECTRONICS   | KB9223 80P QFP BK CD ASP       |
| 967 FFH-818A | <b>0ISS928600B</b> | IC,SAMSUNG ELECTRONICS   | KS9286B 80P QFP BK DSP FOR CD  |
| 968 FFH-818A | <b>0ISS928600B</b> | IC,SAMSUNG ELECTRONICS   | KS9286B 80P QFP BK DSP FOR CD  |
| 969 FFH-818A | <b>0ISS925800A</b> | IC                       | KA9258,S/S                     |
| 970 FFH-818A | <b>0ISS925800A</b> | IC                       | KA9258,S/S                     |
| 971 FFH-818A | <b>0ISS830100B</b> | IC,SAMSUNG ELECTRONICS   | KA8301 10PIN SIP BK CD MOTOR D |
| 972 FFH-818A | <b>0ISS830100B</b> | IC,SAMSUNG ELECTRONICS   | KA8301 10PIN SIP BK CD MOTOR D |
| 973 FFH-818A | <b>0ISS308200A</b> | IC,SAMSUNG ELECTRONICS   | KA3082 10-SIP BK MOTOR DRIVE   |
| 974 FFH-818A | <b>0ISS308200A</b> | IC,SAMSUNG ELECTRONICS   | KA3082 10-SIP BK MOTOR DRIVE   |
| 975 FFH-818A | <b>353-025C</b>    | SCREW                    | SPECIAL 3X10 FBK               |
| 976 FFH-818A | <b>353-025C</b>    | SCREW                    | SPECIAL 3X10 FBK               |
| 977 FFH-818A | <b>561-101B</b>    | CONNECTOR                | TERMINAL,SPEAKER SP-024B2      |
| 978 FFH-818A | <b>561-101B</b>    | CONNECTOR                | TERMINAL,SPEAKER SP-024B2      |



|               |             |                     |                                |
|---------------|-------------|---------------------|--------------------------------|
| 979 FFH-818A  | 576-002I    | JACK RCA            | JACK,BLOCK S-436*-2P(RD/WH)    |
| 980 FFH-818A  | 576-002I    | JACK RCA            | JACK,BLOCK S-436*-2P(RD/WH)    |
| 981 FFH-818A  | 561-100D    | CONNECTOR           | TERMIANL SPEAKER SP-026B       |
| 982 FFH-818A  | 561-100D    | CONNECTOR           | TERMIANL SPEAKER SP-026B       |
| 983 FFH-818A  | 572-559F    | JACK 6.4            | HTJ-064-04B KUNMING 9PIN MOLD  |
| 984 FFH-818A  | 572-559F    | JACK 6.4            | HTJ-064-04B KUNMING 9PIN MOLD  |
| 985 FFH-818A  | 353-025C    | SCREW               | SPECIAL 3X10 FBK               |
| 986 FFH-818A  | 353-025C    | SCREW               | SPECIAL 3X10 FBK               |
| 987 FFH-818A  | 414-044A    | MOTOR               | RF500TB-14415 (MABUCHI)        |
| 988 FFH-818A  | 414-044A    | MOTOR               | RF500TB-14415 (MABUCHI)        |
| 989 FFH-818A  | 414-044A    | MOTOR               | RF500TB-14415 (MABUCHI)        |
| 990 FFH-818A  | 414-044A    | MOTOR               | RF500TB-14415 (MABUCHI)        |
| 991 FFH-818A  | 556-624B    | SWITCH LEVER        | SSCF21 J-ALPS                  |
| 992 FFH-818A  | 556-624B    | SWITCH LEVER        | SSCF21 J-ALPS                  |
| 993 FFH-818A  | 556-624B    | SWITCH LEVER        | SSCF21 J-ALPS                  |
| 994 FFH-818A  | 556-624B    | SWITCH LEVER        | SSCF21 J-ALPS                  |
| 995 FFH-818A  | 558-024E    | SWITCH SPECIAL      | SPPB61114A J-ALPS              |
| 996 FFH-818A  | 558-024E    | SWITCH SPECIAL      | SPPB61114A J-ALPS              |
| 997 FFH-818A  | 653-902B    | LED                 | GP1S53 PHOTO SENSOR,SHARP      |
| 998 FFH-818A  | 653-902B    | LED                 | GP1S53 PHOTO SENSOR,SHARP      |
| 999 FFH-818A  | 6717S-A001A | PICK UP ASSY        | KSM-880CAA SONY FRON           |
| 1000 FFH-818A | 353-025C    | SCREW               | SPECIAL 3X10 FBK               |
| 1001 FFH-818A | 353-025C    | SCREW               | SPECIAL 3X10 FBK               |
| 1002 FFH-818A | 6140SCD001A | COIL,IFT            | IFT FILTER KSNT-101I KWANGSUNG |
| 1003 FFH-818A | 6140SCD001A | COIL,IFT            | IFT FILTER KSNT-101I KWANGSUNG |
| 1004 FFH-818A | 637N009A    | INDUCTOR            | 33MH C/CORE (=N008A)           |
| 1005 FFH-818A | 637N009A    | INDUCTOR            | 33MH C/CORE (=N008A)           |
| 1006 FFH-818A | 6140SCJ004A | COIL,OSCILLATOR     | KSZ-73C KWANG SUNG OSC BULK FF |
| 1007 FFH-818A | 6140SCJ004A | COIL,OSCILLATOR     | KSZ-73C KWANG SUNG OSC BULK FF |
| 1008 FFH-818A | 6140SCB001D | COIL,RF             | RF,MW TUNING UNIT(634-700E) CE |
| 1009 FFH-818A | 6140SCB001D | COIL,RF             | RF,MW TUNING UNIT(634-700E) CE |
| 1010 FFH-818A | 0LA1000K019 | INDUCTOR AXIAL LEAD | 100M K 2.3X3.4 L5 TP(52M/M)    |
| 1011 FFH-818A | 0LA1000K019 | INDUCTOR AXIAL LEAD | 100M K 2.3X3.4 L5 TP(52M/M)    |
| 1012 FFH-818A | 6140SCR001A | COIL,OSCILLATOR     | LKS75M00-X000291-0 KWANG SUNG  |
| 1013 FFH-818A | 6140SCR001A | COIL,OSCILLATOR     | LKS75M00-X000291-0 KWANG SUNG  |
| 1014 FFH-818A | 0DL307119BA | LED                 | LTL-307EE-112A TP LITEON RED = |
| 1015 FFH-818A | 0DL307119BA | LED                 | LTL-307EE-112A TP LITEON RED = |
| 1016 FFH-818A | 0DL307119BA | LED                 | LTL-307EE-112A TP LITEON RED = |
| 1017 FFH-818A | 0DL307119BA | LED                 | LTL-307EE-112A TP LITEON RED = |
| 1018 FFH-818A | 0DL307119EA | LED                 | LTL-307KE-112A TP LITEON GREEN |
| 1019 FFH-818A | 0DL307119EA | LED                 | LTL-307KE-112A TP LITEON GREEN |
| 1020 FFH-818A | 0DL307119EA | LED                 | LTL-307KE-112A TP LITEON GREEN |
| 1021 FFH-818A | 0DL307119EA | LED                 | LTL-307KE-112A TP LITEON GREEN |
| 1022 FFH-818A | 0DL307119EA | LED                 | LTL-307KE-112A TP LITEON GREEN |
| 1023 FFH-818A | 0DL307119EA | LED                 | LTL-307KE-112A TP LITEON GREEN |
| 1024 FFH-818A | 0DL307119EA | LED                 | LTL-307KE-112A TP LITEON GREEN |
| 1025 FFH-818A | 0DL307119EA | LED                 | LTL-307KE-112A TP LITEON GREEN |
| 1026 FFH-818A | 0DL307119EA | LED                 | LTL-307KE-112A TP LITEON GREEN |
| 1027 FFH-818A | 0DL307119EA | LED                 | LTL-307KE-112A TP LITEON GREEN |
| 1028 FFH-818A | 0DL307119EA | LED                 | LTL-307KE-112A TP LITEON GREEN |
| 1029 FFH-818A | 0DL307119EA | LED                 | LTL-307KE-112A TP LITEON GREEN |
| 1030 FFH-818A | 353-025C    | SCREW               | SPECIAL 3X10 FBK               |
| 1031 FFH-818A | 353-025C    | SCREW               | SPECIAL 3X10 FBK               |
| 1032 FFH-818A | 353S353F    | SCREW               | #NAAM?                         |
| 1033 FFH-818A | 353S353F    | SCREW               | #NAAM?                         |
| 1034 FFH-818A | 353-025C    | SCREW               | SPECIAL 3X10 FBK               |
| 1035 FFH-818A | 353-025C    | SCREW               | SPECIAL 3X10 FBK               |
| 1036 FFH-818A | 353-025C    | SCREW               | SPECIAL 3X10 FBK               |
| 1037 FFH-818A | 353-025C    | SCREW               | SPECIAL 3X10 FBK               |
| 1038 FFH-818A | 561-910C    | CONNECTOR           | TERMINAL SEMKO PCB-ROCKING     |
| 1039 FFH-818A | 561-910C    | CONNECTOR           | TERMINAL SEMKO PCB-ROCKING     |
| 1040 FFH-818A | 561-910C    | CONNECTOR           | TERMINAL SEMKO PCB-ROCKING     |
| 1041 FFH-818A | 561-910C    | CONNECTOR           | TERMINAL SEMKO PCB-ROCKING     |
| 1042 FFH-818A | 353-025BAAA | SCREW               | #NAAM?                         |
| 1043 FFH-818A | 353-025BAAA | SCREW               | #NAAM?                         |
| 1044 FFH-818A | 353-028H    | SCREW               | TAPTITE 2.6X8 FZMY             |
| 1045 FFH-818A | 353-028H    | SCREW               | TAPTITE 2.6X8 FZMY             |
| 1046 FFH-818A | 353-028H    | SCREW               | TAPTITE 2.6X8 FZMY             |
| 1047 FFH-818A | 353-028H    | SCREW               | TAPTITE 2.6X8 FZMY             |
| 1048 FFH-818A | 561-715C    | CONNECTOR           | WAFER, G/S GIL-G-03P           |

|      |          |             |                          |                                |
|------|----------|-------------|--------------------------|--------------------------------|
| 1049 | FFH-818A | 561-715C    | CONNECTOR                | WAFER, G/S GIL-G-03P           |
| 1050 | FFH-818A | 561-715H    | CONNECTOR                | WAFER,G/S GIL-G-08P-S3T2-E (S) |
| 1051 | FFH-818A | 561-715H    | CONNECTOR                | WAFER,G/S GIL-G-08P-S3T2-E (S) |
| 1052 | FFH-818A | 6630S-BC034 | CONNECTOR (CIRC)         | TKC-V30P-A1 TAIKO DENKI 30PIN  |
| 1053 | FFH-818A | 6630S-BC034 | CONNECTOR (CIRC)         | TKC-V30P-A1 TAIKO DENKI 30PIN  |
| 1054 | FFH-818A | 561-643J    | CONNECTOR                | WIRE TRAP J-MX52151-1010       |
| 1055 | FFH-818A | 561-643J    | CONNECTOR                | WIRE TRAP J-MX52151-1010       |
| 1056 | FFH-818A | 6630S-FB07P | CONNECTOR (CIRC),FFC/FPC | 00-6232-016-008-800 ELCO KOREA |
| 1057 | FFH-818A | 6630S-FB07P | CONNECTOR (CIRC),FFC/FPC | 00-6232-016-008-800 ELCO KOREA |
| 1058 | FFH-818A | 561-711BAAA | CONNECTOR                | *WAFER,G/S GIL-S-02P-S2T2-EF   |
| 1059 | FFH-818A | 561-711BAAA | CONNECTOR                | *WAFER,G/S GIL-S-02P-S2T2-EF   |
| 1060 | FFH-818A | 561-711F    | CONNECTOR                | *WAFER,G/S GIL-S-06P-S2T2-EF   |
| 1061 | FFH-818A | 561-711F    | CONNECTOR                | *WAFER,G/S GIL-S-06P-S2T2-EF   |
| 1062 | FFH-818A | 561-711DAAA | CONNECTOR                | GIL-S-04P-S2T2-EF LG CABLE 4PI |
| 1063 | FFH-818A | 561-711DAAA | CONNECTOR                | GIL-S-04P-S2T2-EF LG CABLE 4PI |
| 1064 | FFH-818A | 561-711EAAA | CONNECTOR                | *WAFER,G/S GIL-S-05P-S2T2-EF   |
| 1065 | FFH-818A | 561-711EAAA | CONNECTOR                | *WAFER,G/S GIL-S-05P-S2T2-EF   |
| 1066 | FFH-818A | 561-686T    | CONNECTOR                | WAFER,FPC ELCO 8370-201 20PST  |
| 1067 | FFH-818A | 561-686T    | CONNECTOR                | WAFER,FPC ELCO 8370-201 20PST  |
| 1068 | FFH-818A | 561-644J    | CONNECTOR                | WIRE TRAP MX52147-1010         |
| 1069 | FFH-818A | 561-644J    | CONNECTOR                | WIRE TRAP MX52147-1010         |
| 1070 | FFH-818A | 6170SCN03ZS | TRANSFORMER,POWER        | 115/230V 5/60HZ 96X60 SEK      |
| 1071 | FFH-818A | 6170SCN03ZS | TRANSFORMER,POWER        | 115/230V 5/60HZ 96X60 SEK      |
| 1072 | FFH-818A | 0TR319209AA | TRANSISTOR               | KTC3192-0 TP,KEC(KTC380TM-0)   |
| 1073 | FFH-818A | 0TR319209AA | TRANSISTOR               | KTC3192-0 TP,KEC(KTC380TM-0)   |
| 1074 | FFH-818A | 0TR126709AB | TRANSISTOR               | KTA1267-Y MINI TP,KEC          |
| 1075 | FFH-818A | 0TR126709AB | TRANSISTOR               | KTA1267-Y MINI TP,KEC          |
| 1076 | FFH-818A | 0TR102009AF | TRANSISTOR               | KRC102M TP,KEC(KRC1202)        |
| 1077 | FFH-818A | 0TR102009AF | TRANSISTOR               | KRC102M TP,KEC(KRC1202)        |
| 1078 | FFH-818A | 0TR319809AB | TRANSISTOR               | KTC3198-TP-GR (KTC1815) KEC    |
| 1079 | FFH-818A | 0TR319809AB | TRANSISTOR               | KTC3198-TP-GR (KTC1815) KEC    |
| 1080 | FFH-818A | 0TR319809AB | TRANSISTOR               | KTC3198-TP-GR (KTC1815) KEC    |
| 1081 | FFH-818A | 0TR319809AB | TRANSISTOR               | KTC3198-TP-GR (KTC1815) KEC    |
| 1082 | FFH-818A | 0TR319809AB | TRANSISTOR               | KTC3198-TP-GR (KTC1815) KEC    |
| 1083 | FFH-818A | 0TR319809AB | TRANSISTOR               | KTC3198-TP-GR (KTC1815) KEC    |
| 1084 | FFH-818A | 0TR102009AF | TRANSISTOR               | KRC102M TP,KEC(KRC1202)        |
| 1085 | FFH-818A | 0TR102009AF | TRANSISTOR               | KRC102M TP,KEC(KRC1202)        |
| 1086 | FFH-818A | 0TR130209AA | TRANSISTOR               | KTD1302 MUTING TP,KEC          |
| 1087 | FFH-818A | 0TR130209AA | TRANSISTOR               | KTD1302 MUTING TP,KEC          |
| 1088 | FFH-818A | 0TR319809AB | TRANSISTOR               | KTC3198-TP-GR (KTC1815) KEC    |
| 1089 | FFH-818A | 0TR319809AB | TRANSISTOR               | KTC3198-TP-GR (KTC1815) KEC    |
| 1090 | FFH-818A | 0TR319809AB | TRANSISTOR               | KTC3198-TP-GR (KTC1815) KEC    |
| 1091 | FFH-818A | 0TR319809AB | TRANSISTOR               | KTC3198-TP-GR (KTC1815) KEC    |
| 1092 | FFH-818A | 0TR319809AB | TRANSISTOR               | KTC3198-TP-GR (KTC1815) KEC    |
| 1093 | FFH-818A | 0TR319809AB | TRANSISTOR               | KTC3198-TP-GR (KTC1815) KEC    |
| 1094 | FFH-818A | 0TR319809AB | TRANSISTOR               | KTC3198-TP-GR (KTC1815) KEC    |
| 1095 | FFH-818A | 0TR319809AB | TRANSISTOR               | KTC3198-TP-GR (KTC1815) KEC    |
| 1096 | FFH-818A | 0TR319809AB | TRANSISTOR               | KTC3198-TP-GR (KTC1815) KEC    |
| 1097 | FFH-818A | 0TR320509AB | TRANSISTOR               | KTC3205-TP-Y (KTC2236A)KEC     |
| 1098 | FFH-818A | 0TR320509AB | TRANSISTOR               | KTC3205-TP-Y (KTC2236A)KEC     |
| 1099 | FFH-818A | 0TR320509AB | TRANSISTOR               | KTC3205-TP-Y (KTC2236A)KEC     |
| 1100 | FFH-818A | 0TR130209AA | TRANSISTOR               | KTD1302 MUTING TP,KEC          |
| 1101 | FFH-818A | 0TR130209AA | TRANSISTOR               | KTD1302 MUTING TP,KEC          |
| 1102 | FFH-818A | 0TR130209AA | TRANSISTOR               | KTD1302 MUTING TP,KEC          |
| 1103 | FFH-818A | 0TR130209AA | TRANSISTOR               | KTD1302 MUTING TP,KEC          |
| 1104 | FFH-818A | 0TR319809AB | TRANSISTOR               | KTC3198-TP-GR (KTC1815) KEC    |
| 1105 | FFH-818A | 0TR319809AB | TRANSISTOR               | KTC3198-TP-GR (KTC1815) KEC    |
| 1106 | FFH-818A | 0TR319809AB | TRANSISTOR               | KTC3198-TP-GR (KTC1815) KEC    |
| 1107 | FFH-818A | 0TR319809AB | TRANSISTOR               | KTC3198-TP-GR (KTC1815) KEC    |
| 1108 | FFH-818A | 0TR319809AB | TRANSISTOR               | KTC3198-TP-GR (KTC1815) KEC    |
| 1109 | FFH-818A | 0TR319809AB | TRANSISTOR               | KTC3198-TP-GR (KTC1815) KEC    |
| 1110 | FFH-818A | 0TR102009AF | TRANSISTOR               | KRC102M TP,KEC(KRC1202)        |
| 1111 | FFH-818A | 0TR102009AF | TRANSISTOR               | KRC102M TP,KEC(KRC1202)        |
| 1112 | FFH-818A | 0TR319209AA | TRANSISTOR               | KTC3192-0 TP,KEC(KTC380TM-0)   |
| 1113 | FFH-818A | 0TR319209AA | TRANSISTOR               | KTC3192-0 TP,KEC(KTC380TM-0)   |
| 1114 | FFH-818A | 0TR102009AF | TRANSISTOR               | KRC102M TP,KEC(KRC1202)        |
| 1115 | FFH-818A | 0TR102009AF | TRANSISTOR               | KRC102M TP,KEC(KRC1202)        |
| 1116 | FFH-818A | 0TR102009AF | TRANSISTOR               | KRC102M TP,KEC(KRC1202)        |
| 1117 | FFH-818A | 0TR102009AF | TRANSISTOR               | KRC102M TP,KEC(KRC1202)        |
| 1118 | FFH-818A | 0TR102009AF | TRANSISTOR               | KRC102M TP,KEC(KRC1202)        |



|               |                    |                             |                              |
|---------------|--------------------|-----------------------------|------------------------------|
| 1119 FFH-818A | <b>OTR102009AF</b> | TRANSISTOR                  | KRC102M TP,KEC(KRC1202)      |
| 1120 FFH-818A | <b>OTR110009AE</b> | TRANSISTOR                  | KRC110M TP,KEC(KRC1210)      |
| 1121 FFH-818A | <b>OTR110009AE</b> | TRANSISTOR                  | KRC110M TP,KEC(KRC1210)      |
| 1122 FFH-818A | <b>OTR110009AE</b> | TRANSISTOR                  | KRC110M TP,KEC(KRC1210)      |
| 1123 FFH-818A | <b>OTR110009AE</b> | TRANSISTOR                  | KRC110M TP,KEC(KRC1210)      |
| 1124 FFH-818A | <b>OTR127309AA</b> | TRANSISTOR                  | KTA1273-TP-Y (KTA966A)KEC    |
| 1125 FFH-818A | <b>OTR127309AA</b> | TRANSISTOR                  | KTA1273-TP-Y (KTA966A)KEC    |
| 1126 FFH-818A | <b>OTR127309AA</b> | TRANSISTOR                  | KTA1273-TP-Y (KTA966A)KEC    |
| 1127 FFH-818A | <b>OTR127309AA</b> | TRANSISTOR                  | KTA1273-TP-Y (KTA966A)KEC    |
| 1128 FFH-818A | <b>OTR127309AA</b> | TRANSISTOR                  | KTA1273-TP-Y (KTA966A)KEC    |
| 1129 FFH-818A | <b>OTR127309AA</b> | TRANSISTOR                  | KTA1273-TP-Y (KTA966A)KEC    |
| 1130 FFH-818A | <b>OTR110009AE</b> | TRANSISTOR                  | KRC110M TP,KEC(KRC1210)      |
| 1131 FFH-818A | <b>OTR110009AE</b> | TRANSISTOR                  | KRC110M TP,KEC(KRC1210)      |
| 1132 FFH-818A | <b>OTR126609AA</b> | TRANSISTOR                  | KTA1266-TP-Y (KTA1015) KEC   |
| 1133 FFH-818A | <b>OTR126609AA</b> | TRANSISTOR                  | KTA1266-TP-Y (KTA1015) KEC   |
| 1134 FFH-818A | <b>OTR126609AA</b> | TRANSISTOR                  | KTA1266-TP-Y (KTA1015) KEC   |
| 1135 FFH-818A | <b>OTR102009AF</b> | TRANSISTOR                  | KRC102M TP,KEC(KRC1202)      |
| 1136 FFH-818A | <b>OTR102009AF</b> | TRANSISTOR                  | KRC102M TP,KEC(KRC1202)      |
| 1137 FFH-818A | <b>OTR130209AA</b> | TRANSISTOR                  | KTD1302 MUTING TP,KEC        |
| 1138 FFH-818A | <b>OTR130209AA</b> | TRANSISTOR                  | KTD1302 MUTING TP,KEC        |
| 1139 FFH-818A | <b>OTR102009AE</b> | TRANSISTOR                  | KRA102M TP,KEC(KRA2202)      |
| 1140 FFH-818A | <b>OTR102009AE</b> | TRANSISTOR                  | KRA102M TP,KEC(KRA2202)      |
| 1141 FFH-818A | <b>OTR135100AG</b> | TRANSISTOR                  | KTD1351-Y (KTD880A-Y) KEC    |
| 1142 FFH-818A | <b>OTR135100AG</b> | TRANSISTOR                  | KTD1351-Y (KTD880A-Y) KEC    |
| 1143 FFH-818A | <b>OTR319809AB</b> | TRANSISTOR                  | KTC3198-TP-GR (KTC1815) KEC  |
| 1144 FFH-818A | <b>OTR319809AB</b> | TRANSISTOR                  | KTC3198-TP-GR (KTC1815) KEC  |
| 1145 FFH-818A | <b>OTR319809AB</b> | TRANSISTOR                  | KTC3198-TP-GR (KTC1815) KEC  |
| 1146 FFH-818A | <b>OTR126609AA</b> | TRANSISTOR                  | KTA1266-TP-Y (KTA1015) KEC   |
| 1147 FFH-818A | <b>OTR126609AA</b> | TRANSISTOR                  | KTA1266-TP-Y (KTA1015) KEC   |
| 1148 FFH-818A | <b>OTR126609AA</b> | TRANSISTOR                  | KTA1266-TP-Y (KTA1015) KEC   |
| 1149 FFH-818A | <b>OTR103009AE</b> | TRANSISTOR                  | KRC103M-TP (KRC1203) KEC     |
| 1150 FFH-818A | <b>OTR103009AE</b> | TRANSISTOR                  | KRC103M-TP (KRC1203) KEC     |
| 1151 FFH-818A | <b>OTR103009AE</b> | TRANSISTOR                  | KRC103M-TP (KRC1203) KEC     |
| 1152 FFH-818A | <b>OTR103009AE</b> | TRANSISTOR                  | KRC103M-TP (KRC1203) KEC     |
| 1153 FFH-818A | <b>OTR130209AA</b> | TRANSISTOR                  | KTD1302 MUTING TP,KEC        |
| 1154 FFH-818A | <b>OTR130209AA</b> | TRANSISTOR                  | KTD1302 MUTING TP,KEC        |
| 1155 FFH-818A | <b>OTR126609AA</b> | TRANSISTOR                  | KTA1266-TP-Y (KTA1015) KEC   |
| 1156 FFH-818A | <b>OTR126609AA</b> | TRANSISTOR                  | KTA1266-TP-Y (KTA1015) KEC   |
| 1157 FFH-818A | <b>OTR126609AA</b> | TRANSISTOR                  | KTA1266-TP-Y (KTA1015) KEC   |
| 1158 FFH-818A | <b>OTR127309AA</b> | TRANSISTOR                  | KTA1273-TP-Y (KTA966A)KEC    |
| 1159 FFH-818A | <b>OTR127309AA</b> | TRANSISTOR                  | KTA1273-TP-Y (KTA966A)KEC    |
| 1160 FFH-818A | <b>OTR320009AA</b> | TRANSISTOR                  | KTC3200-TP-GR (KTC2240)KEC   |
| 1161 FFH-818A | <b>OTR320009AA</b> | TRANSISTOR                  | KTC3200-TP-GR (KTC2240)KEC   |
| 1162 FFH-818A | <b>OTR949009AA</b> | TRANSISTOR                  | KTA949-Y TP, KEC             |
| 1163 FFH-818A | <b>OTR949009AA</b> | TRANSISTOR                  | KTA949-Y TP, KEC             |
| 1164 FFH-818A | <b>OTR320009AA</b> | TRANSISTOR                  | KTC3200-TP-GR (KTC2240)KEC   |
| 1165 FFH-818A | <b>OTR320009AA</b> | TRANSISTOR                  | KTC3200-TP-GR (KTC2240)KEC   |
| 1166 FFH-818A | <b>OTR319809AB</b> | TRANSISTOR                  | KTC3198-TP-GR (KTC1815) KEC  |
| 1167 FFH-818A | <b>OTR319809AB</b> | TRANSISTOR                  | KTC3198-TP-GR (KTC1815) KEC  |
| 1168 FFH-818A | <b>OTR319809AB</b> | TRANSISTOR                  | KTC3198-TP-GR (KTC1815) KEC  |
| 1169 FFH-818A | <b>OTR319809AB</b> | TRANSISTOR                  | KTC3198-TP-GR (KTC1815) KEC  |
| 1170 FFH-818A | <b>OTR319809AB</b> | TRANSISTOR                  | KTC3198-TP-GR (KTC1815) KEC  |
| 1171 FFH-818A | <b>OTR319809AB</b> | TRANSISTOR                  | KTC3198-TP-GR (KTC1815) KEC  |
| 1172 FFH-818A | <b>OTR320209AA</b> | TRANSISTOR                  | KTC3202-TP-Y (KTC1959)KEC    |
| 1173 FFH-818A | <b>OTR320209AA</b> | TRANSISTOR                  | KTC3202-TP-Y (KTC1959)KEC    |
| 1174 FFH-818A | <b>OTR319809AB</b> | TRANSISTOR                  | KTC3198-TP-GR (KTC1815) KEC  |
| 1175 FFH-818A | <b>OTR319809AB</b> | TRANSISTOR                  | KTC3198-TP-GR (KTC1815) KEC  |
| 1176 FFH-818A | <b>OTR319809AB</b> | TRANSISTOR                  | KTC3198-TP-GR (KTC1815) KEC  |
| 1177 FFH-818A | <b>OTR319809AB</b> | TRANSISTOR                  | KTC3198-TP-GR (KTC1815) KEC  |
| 1178 FFH-818A | <b>OTR319809AB</b> | TRANSISTOR                  | KTC3198-TP-GR (KTC1815) KEC  |
| 1179 FFH-818A | <b>OTR319809AB</b> | TRANSISTOR                  | KTC3198-TP-GR (KTC1815) KEC  |
| 1180 FFH-818A | <b>OTR127309AA</b> | TRANSISTOR                  | KTA1273-TP-Y (KTA966A)KEC    |
| 1181 FFH-818A | <b>OTR127309AA</b> | TRANSISTOR                  | KTA1273-TP-Y (KTA966A)KEC    |
| 1182 FFH-818A | <b>OTR103009AE</b> | TRANSISTOR                  | KRC103M-TP (KRC1203) KEC     |
| 1183 FFH-818A | <b>OTR103009AE</b> | TRANSISTOR                  | KRC103M-TP (KRC1203) KEC     |
| 1184 FFH-818A | <b>OTR126609AB</b> | TRANSISTOR                  | KTA1266-GR TP,KEC(KTA1015GR) |
| 1185 FFH-818A | <b>OTR126609AB</b> | TRANSISTOR                  | KTA1266-GR TP,KEC(KTA1015GR) |
| 1186 FFH-818A | <b>ORD0562F609</b> | RESISTOR, FIXED CARBON FILM | 56 1/6W 5 TA52               |
| 1187 FFH-818A | <b>ORD0562F609</b> | RESISTOR, FIXED CARBON FILM | 56 1/6W 5 TA52               |
| 1188 FFH-818A | <b>ORD1000F609</b> | RESISTOR, FIXED CARBON FILM | 100 1/6W 5 TA52              |



























|               |                    |                                |                                 |
|---------------|--------------------|--------------------------------|---------------------------------|
| 1959 FFH-818A | <b>ORD1003F609</b> | RESISTOR, FIXED CARBON FILM    | 100K 1/6W 5 TA52                |
| 1960 FFH-818A | <b>0IRH693840A</b> | IC, ROHM                       | RPM6938-V4 3P BK REMOCON MODUL  |
| 1961 FFH-818A | <b>0IRH693840A</b> | IC, ROHM                       | RPM6938-V4 3P BK REMOCON MODUL  |
| 1962 FFH-818A | <b>6920SC0001A</b> | RELAY                          | 0MI-SS-212LM ORIGINAL 12V 0.044 |
| 1963 FFH-818A | <b>6920SC0001A</b> | RELAY                          | 0MI-SS-212LM ORIGINAL 12V 0.044 |
| 1964 FFH-818A | <b>6600S-TV02A</b> | SWITCH, TACT                   | SQAN-130 J-ALPS NON 12V 0.5A V  |
| 1965 FFH-818A | <b>6600S-TV02A</b> | SWITCH, TACT                   | SQAN-130 J-ALPS NON 12V 0.5A V  |
| 1966 FFH-818A | <b>6600S-TV02A</b> | SWITCH, TACT                   | SQAN-130 J-ALPS NON 12V 0.5A V  |
| 1967 FFH-818A | <b>6600S-TV02A</b> | SWITCH, TACT                   | SQAN-130 J-ALPS NON 12V 0.5A V  |
| 1968 FFH-818A | <b>6600S-TV02A</b> | SWITCH, TACT                   | SQAN-130 J-ALPS NON 12V 0.5A V  |
| 1969 FFH-818A | <b>6600S-TV02A</b> | SWITCH, TACT                   | SQAN-130 J-ALPS NON 12V 0.5A V  |
| 1970 FFH-818A | <b>6600S-TV02A</b> | SWITCH, TACT                   | SQAN-130 J-ALPS NON 12V 0.5A V  |
| 1971 FFH-818A | <b>6600S-TV02A</b> | SWITCH, TACT                   | SQAN-130 J-ALPS NON 12V 0.5A V  |
| 1972 FFH-818A | <b>6600S-TV02A</b> | SWITCH, TACT                   | SQAN-130 J-ALPS NON 12V 0.5A V  |
| 1973 FFH-818A | <b>6600S-TV02A</b> | SWITCH, TACT                   | SQAN-130 J-ALPS NON 12V 0.5A V  |
| 1974 FFH-818A | <b>6600S-TV02A</b> | SWITCH, TACT                   | SQAN-130 J-ALPS NON 12V 0.5A V  |
| 1975 FFH-818A | <b>6600S-TV02A</b> | SWITCH, TACT                   | SQAN-130 J-ALPS NON 12V 0.5A V  |
| 1976 FFH-818A | <b>6600S-TV02A</b> | SWITCH, TACT                   | SQAN-130 J-ALPS NON 12V 0.5A V  |
| 1977 FFH-818A | <b>6600S-TV02A</b> | SWITCH, TACT                   | SQAN-130 J-ALPS NON 12V 0.5A V  |
| 1978 FFH-818A | <b>6600S-TV02A</b> | SWITCH, TACT                   | SQAN-130 J-ALPS NON 12V 0.5A V  |
| 1979 FFH-818A | <b>6600S-TV02A</b> | SWITCH, TACT                   | SQAN-130 J-ALPS NON 12V 0.5A V  |
| 1980 FFH-818A | <b>6600S-TV02A</b> | SWITCH, TACT                   | SQAN-130 J-ALPS NON 12V 0.5A V  |
| 1981 FFH-818A | <b>6600S-TV02A</b> | SWITCH, TACT                   | SQAN-130 J-ALPS NON 12V 0.5A V  |
| 1982 FFH-818A | <b>6600S-TV02A</b> | SWITCH, TACT                   | SQAN-130 J-ALPS NON 12V 0.5A V  |
| 1983 FFH-818A | <b>6600S-TV02A</b> | SWITCH, TACT                   | SQAN-130 J-ALPS NON 12V 0.5A V  |
| 1984 FFH-818A | <b>6600S-TV02A</b> | SWITCH, TACT                   | SQAN-130 J-ALPS NON 12V 0.5A V  |
| 1985 FFH-818A | <b>6600S-TV02A</b> | SWITCH, TACT                   | SQAN-130 J-ALPS NON 12V 0.5A V  |
| 1986 FFH-818A | <b>6600S-TV02A</b> | SWITCH, TACT                   | SQAN-130 J-ALPS NON 12V 0.5A V  |
| 1987 FFH-818A | <b>6600S-TV02A</b> | SWITCH, TACT                   | SQAN-130 J-ALPS NON 12V 0.5A V  |
| 1988 FFH-818A | <b>6600S-TV02A</b> | SWITCH, TACT                   | SQAN-130 J-ALPS NON 12V 0.5A V  |
| 1989 FFH-818A | <b>6600S-TV02A</b> | SWITCH, TACT                   | SQAN-130 J-ALPS NON 12V 0.5A V  |
| 1990 FFH-818A | <b>6600S-TV02A</b> | SWITCH, TACT                   | SQAN-130 J-ALPS NON 12V 0.5A V  |
| 1991 FFH-818A | <b>6600S-TV02A</b> | SWITCH, TACT                   | SQAN-130 J-ALPS NON 12V 0.5A V  |
| 1992 FFH-818A | <b>6600S-TV02A</b> | SWITCH, TACT                   | SQAN-130 J-ALPS NON 12V 0.5A V  |
| 1993 FFH-818A | <b>6600S-TV02A</b> | SWITCH, TACT                   | SQAN-130 J-ALPS NON 12V 0.5A V  |
| 1994 FFH-818A | <b>6600S-TV02A</b> | SWITCH, TACT                   | SQAN-130 J-ALPS NON 12V 0.5A V  |
| 1995 FFH-818A | <b>6600S-TV02A</b> | SWITCH, TACT                   | SQAN-130 J-ALPS NON 12V 0.5A V  |
| 1996 FFH-818A | <b>6600S-TV02A</b> | SWITCH, TACT                   | SQAN-130 J-ALPS NON 12V 0.5A V  |
| 1997 FFH-818A | <b>6600S-TV02A</b> | SWITCH, TACT                   | SQAN-130 J-ALPS NON 12V 0.5A V  |
| 1998 FFH-818A | <b>6600S-TV02A</b> | SWITCH, TACT                   | SQAN-130 J-ALPS NON 12V 0.5A V  |
| 1999 FFH-818A | <b>6600S-TV02A</b> | SWITCH, TACT                   | SQAN-130 J-ALPS NON 12V 0.5A V  |
| 2000 FFH-818A | <b>6600S-TV02A</b> | SWITCH, TACT                   | SQAN-130 J-ALPS NON 12V 0.5A V  |
| 2001 FFH-818A | <b>6600S-TV02A</b> | SWITCH, TACT                   | SQAN-130 J-ALPS NON 12V 0.5A V  |
| 2002 FFH-818A | <b>6600S-TV02A</b> | SWITCH, TACT                   | SQAN-130 J-ALPS NON 12V 0.5A V  |
| 2003 FFH-818A | <b>6600S-TV02A</b> | SWITCH, TACT                   | SQAN-130 J-ALPS NON 12V 0.5A V  |
| 2004 FFH-818A | <b>6600S-TV02A</b> | SWITCH, TACT                   | SQAN-130 J-ALPS NON 12V 0.5A V  |
| 2005 FFH-818A | <b>6600S-TV02A</b> | SWITCH, TACT                   | SQAN-130 J-ALPS NON 12V 0.5A V  |
| 2006 FFH-818A | <b>6600S-TV02A</b> | SWITCH, TACT                   | SQAN-130 J-ALPS NON 12V 0.5A V  |
| 2007 FFH-818A | <b>6600S-TV02A</b> | SWITCH, TACT                   | SQAN-130 J-ALPS NON 12V 0.5A V  |
| 2008 FFH-818A | <b>6600S-TV02A</b> | SWITCH, TACT                   | SQAN-130 J-ALPS NON 12V 0.5A V  |
| 2009 FFH-818A | <b>6600S-TV02A</b> | SWITCH, TACT                   | SQAN-130 J-ALPS NON 12V 0.5A V  |
| 2010 FFH-818A | <b>6600S-TV02A</b> | SWITCH, TACT                   | SQAN-130 J-ALPS NON 12V 0.5A V  |
| 2011 FFH-818A | <b>6600S-TV02A</b> | SWITCH, TACT                   | SQAN-130 J-ALPS NON 12V 0.5A V  |
| 2012 FFH-818A | <b>6600S-TV02A</b> | SWITCH, TACT                   | SQAN-130 J-ALPS NON 12V 0.5A V  |
| 2013 FFH-818A | <b>6600S-TV02A</b> | SWITCH, TACT                   | SQAN-130 J-ALPS NON 12V 0.5A V  |
| 2014 FFH-818A | <b>6600S-TV02A</b> | SWITCH, TACT                   | SQAN-130 J-ALPS NON 12V 0.5A V  |
| 2015 FFH-818A | <b>6600S-TV02A</b> | SWITCH, TACT                   | SQAN-130 J-ALPS NON 12V 0.5A V  |
| 2016 FFH-818A | <b>561-716C</b>    | CONNECTOR                      | WAFER, G/S GIL-G-03P-S3L2-E (S) |
| 2017 FFH-818A | <b>561-716C</b>    | CONNECTOR                      | WAFER, G/S GIL-G-03P-S3L2-E (S) |
| 2018 FFH-818A | <b>88H-0004</b>    | CD MECHA PARTS                 | 3X12X12FNM                      |
| 2019 FFH-818A | <b>88H-0004</b>    | CD MECHA PARTS                 | 3X12X12FNM                      |
| 2020 FFH-818A | <b>6700SCF001E</b> | TUNER                          | KST-F401VA-3 KWANGSUNG FM NEW   |
| 2021 FFH-818A | <b>6700SCF001E</b> | TUNER                          | KST-F401VA-3 KWANGSUNG FM NEW   |
| 2022 FFH-818A | <b>ORV1103D230</b> | VARIABLE RESISTOR, CARBON FILM | 10K 6 ST P3 L2.5 5              |
| 2023 FFH-818A | <b>ORV1103D230</b> | VARIABLE RESISTOR, CARBON FILM | 10K 6 ST P3 L2.5 5              |
| 2024 FFH-818A | <b>6110S-ET01A</b> | VOLUME, ROTARY                 | EC16B242040M J-ALPS D=16 V 24   |
| 2025 FFH-818A | <b>6110S-ET01A</b> | VOLUME, ROTARY                 | EC16B242040M J-ALPS D=16 V 24   |
| 2026 FFH-818A | <b>6110S-ET01A</b> | VOLUME, ROTARY                 | EC16B242040M J-ALPS D=16 V 24   |
| 2027 FFH-818A | <b>6110S-ET01A</b> | VOLUME, ROTARY                 | EC16B242040M J-ALPS D=16 V 24   |
| 2028 FFH-818A | <b>617T602D</b>    | CRYSTAL                        | 7.2MHZ                          |

|               |                    |                   |                                |
|---------------|--------------------|-------------------|--------------------------------|
| 2029 FFH-818A | <b>617T602D</b>    | CRYSTAL           | 7.2MHZ                         |
| 2030 FFH-818A | <b>616-020PAAA</b> | RESONATOR,CERAMIC | CSA6.00MGU MURATA 6MHZ BK      |
| 2031 FFH-818A | <b>616-020PAAA</b> | RESONATOR,CERAMIC | CSA6.00MGU MURATA 6MHZ BK      |
| 2032 FFH-818A | <b>617-602F</b>    | CRYSTAL           | 32.768KHZ KYOCERA (S)          |
| 2033 FFH-818A | <b>617-602F</b>    | CRYSTAL           | 32.768KHZ KYOCERA (S)          |
| 2034 FFH-818A | <b>616-020X</b>    | FILTER CERAMIC    | CSA16.93MX040,MURATA           |
| 2035 FFH-818A | <b>616-020X</b>    | FILTER CERAMIC    | CSA16.93MX040,MURATA           |
| 2036 FFH-818A | <b>0DZ680009AL</b> | DIODE,ZENER       | GDZJ6.8B TP GRANDE DO-34 500MW |
| 2037 FFH-818A | <b>0DZ680009AL</b> | DIODE,ZENER       | GDZJ6.8B TP GRANDE DO-34 500MW |
| 2038 FFH-818A | <b>0DZ680009AL</b> | DIODE,ZENER       | GDZJ6.8B TP GRANDE DO-34 500MW |
| 2039 FFH-818A | <b>0DZ510009AH</b> | DIODE,ZENER       | GDZJ5.1B TP GRANDE DO-34 500MW |
| 2040 FFH-818A | <b>0DZ510009AH</b> | DIODE,ZENER       | GDZJ5.1B TP GRANDE DO-34 500MW |
| 2041 FFH-818A | <b>0DZ510009AH</b> | DIODE,ZENER       | GDZJ5.1B TP GRANDE DO-34 500MW |
| 2042 FFH-818A | <b>0DZ330009AR</b> | DIODE,ZENER       | GDZJ33D TP GRANDE DO-34 500MW  |
| 2043 FFH-818A | <b>0DZ330009AR</b> | DIODE,ZENER       | GDZJ33D TP GRANDE DO-34 500MW  |
| 2044 FFH-818A | <b>0DZ330009AR</b> | DIODE,ZENER       | GDZJ33D TP GRANDE DO-34 500MW  |
| 2045 FFH-818A | <b>0DZ130009AK</b> | DIODE,ZENER       | GDZJ13C TP GRANDE DO34 500MW 1 |
| 2046 FFH-818A | <b>0DZ130009AK</b> | DIODE,ZENER       | GDZJ13C TP GRANDE DO34 500MW 1 |
| 2047 FFH-818A | <b>0DZ510009AH</b> | DIODE,ZENER       | GDZJ5.1B TP GRANDE DO-34 500MW |
| 2048 FFH-818A | <b>0DZ510009AH</b> | DIODE,ZENER       | GDZJ5.1B TP GRANDE DO-34 500MW |
| 2049 FFH-818A | <b>0DZ510009AH</b> | DIODE,ZENER       | GDZJ5.1B TP GRANDE DO-34 500MW |
| 2050 FFH-818A | <b>0DZ510009AH</b> | DIODE,ZENER       | GDZJ5.1B TP GRANDE DO-34 500MW |
| 2051 FFH-818A | <b>0DZ510009AH</b> | DIODE,ZENER       | GDZJ5.1B TP GRANDE DO-34 500MW |
| 2052 FFH-818A | <b>0DZ510009AH</b> | DIODE,ZENER       | GDZJ5.1B TP GRANDE DO-34 500MW |
| 2053 FFH-818A | <b>0DZ390009AC</b> | DIODE,ZENER       | GDZJ3.9B TP GRANDE DO-34 500MW |
| 2054 FFH-818A | <b>0DZ390009AC</b> | DIODE,ZENER       | GDZJ3.9B TP GRANDE DO-34 500MW |
| 2055 FFH-818A | <b>0DZ510009AH</b> | DIODE,ZENER       | GDZJ5.1B TP GRANDE DO-34 500MW |
| 2056 FFH-818A | <b>0DZ510009AH</b> | DIODE,ZENER       | GDZJ5.1B TP GRANDE DO-34 500MW |
| 2057 FFH-818A | <b>0DZ510009AH</b> | DIODE,ZENER       | GDZJ5.1B TP GRANDE DO-34 500MW |
| 2058 FFH-818A | <b>0DZ470009AD</b> | DIODE,ZENER       | GDZJ4.7B TP GRANDE DO34 500MW  |