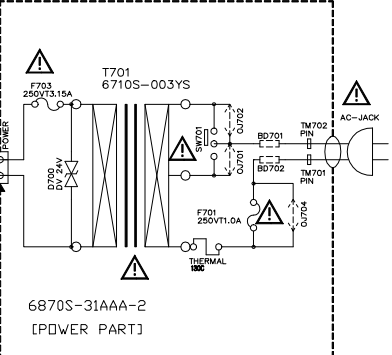
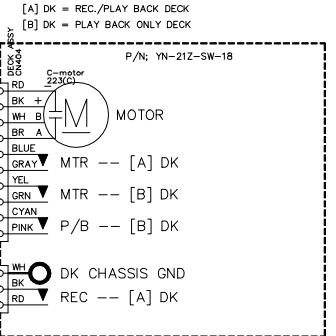
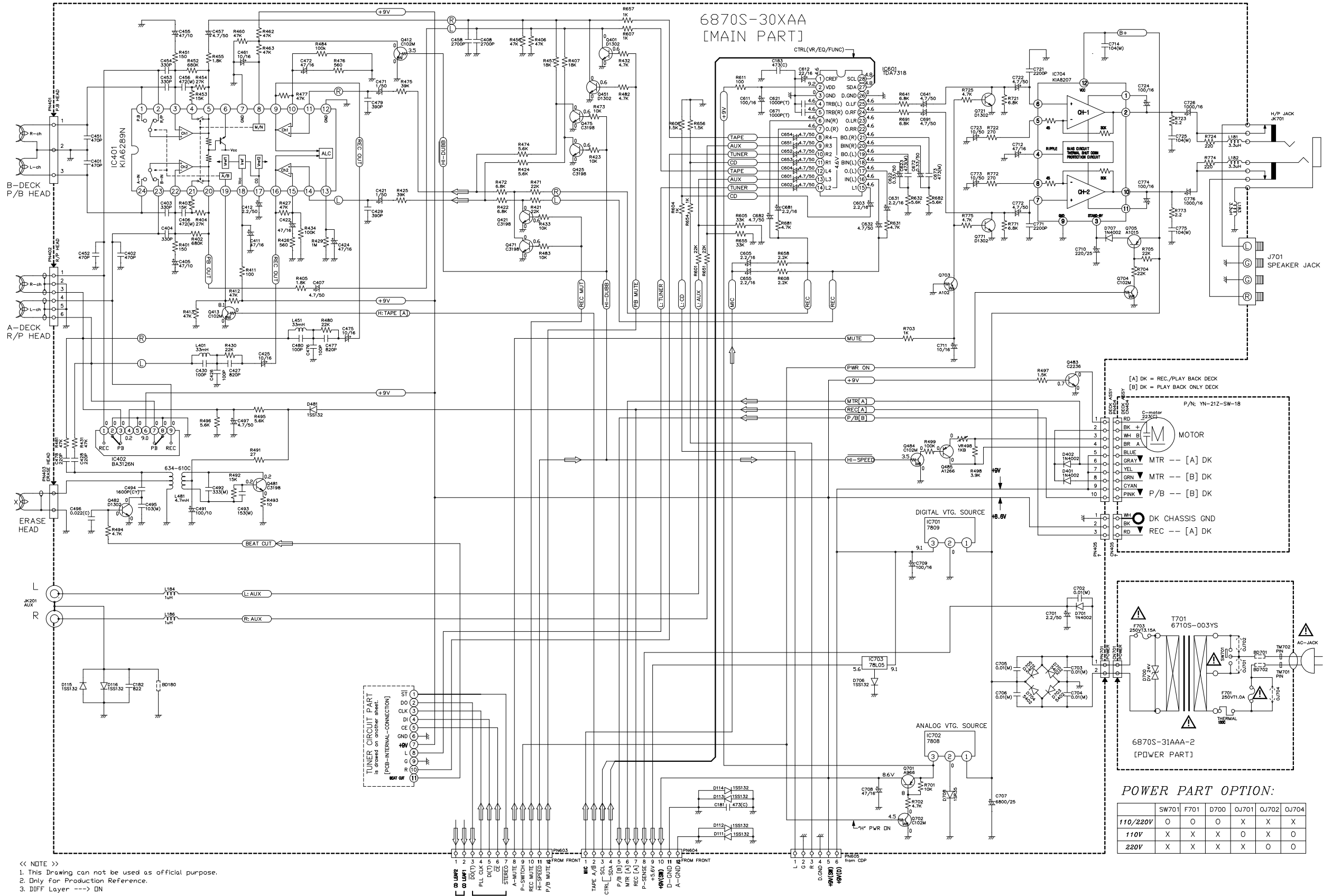


6870S-30XAA
[MAIN PART]



<< NDTE >>
1. This Drawing can not be used as official purpose.
2. Only For Production Reference.
3. DIFF Layer --> DN

