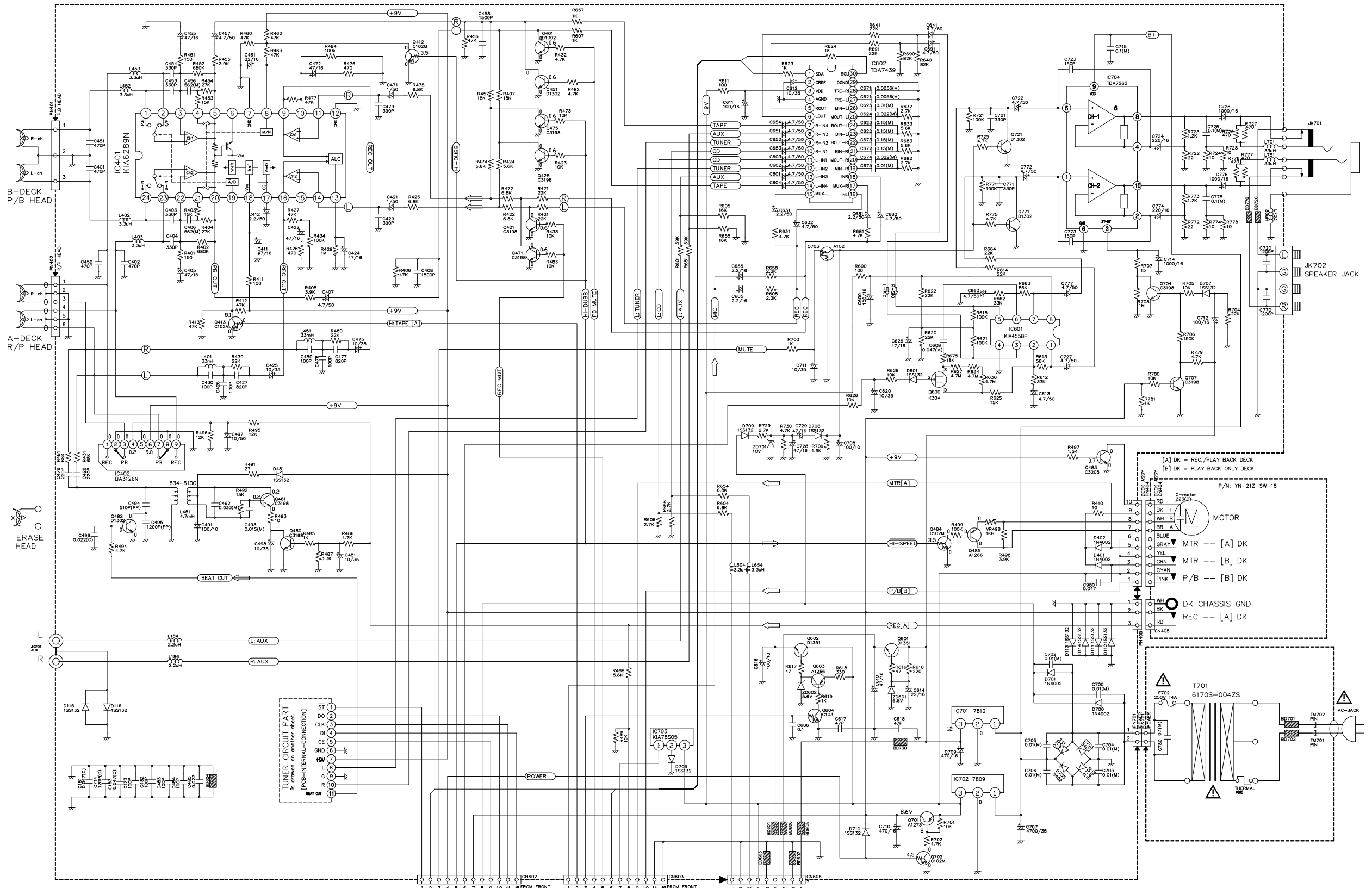
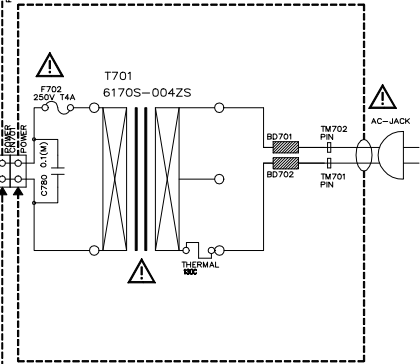
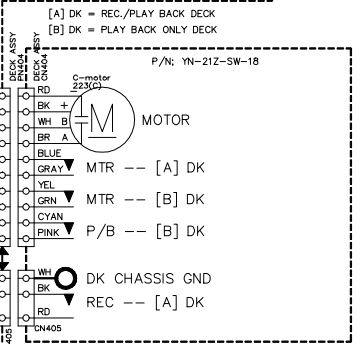
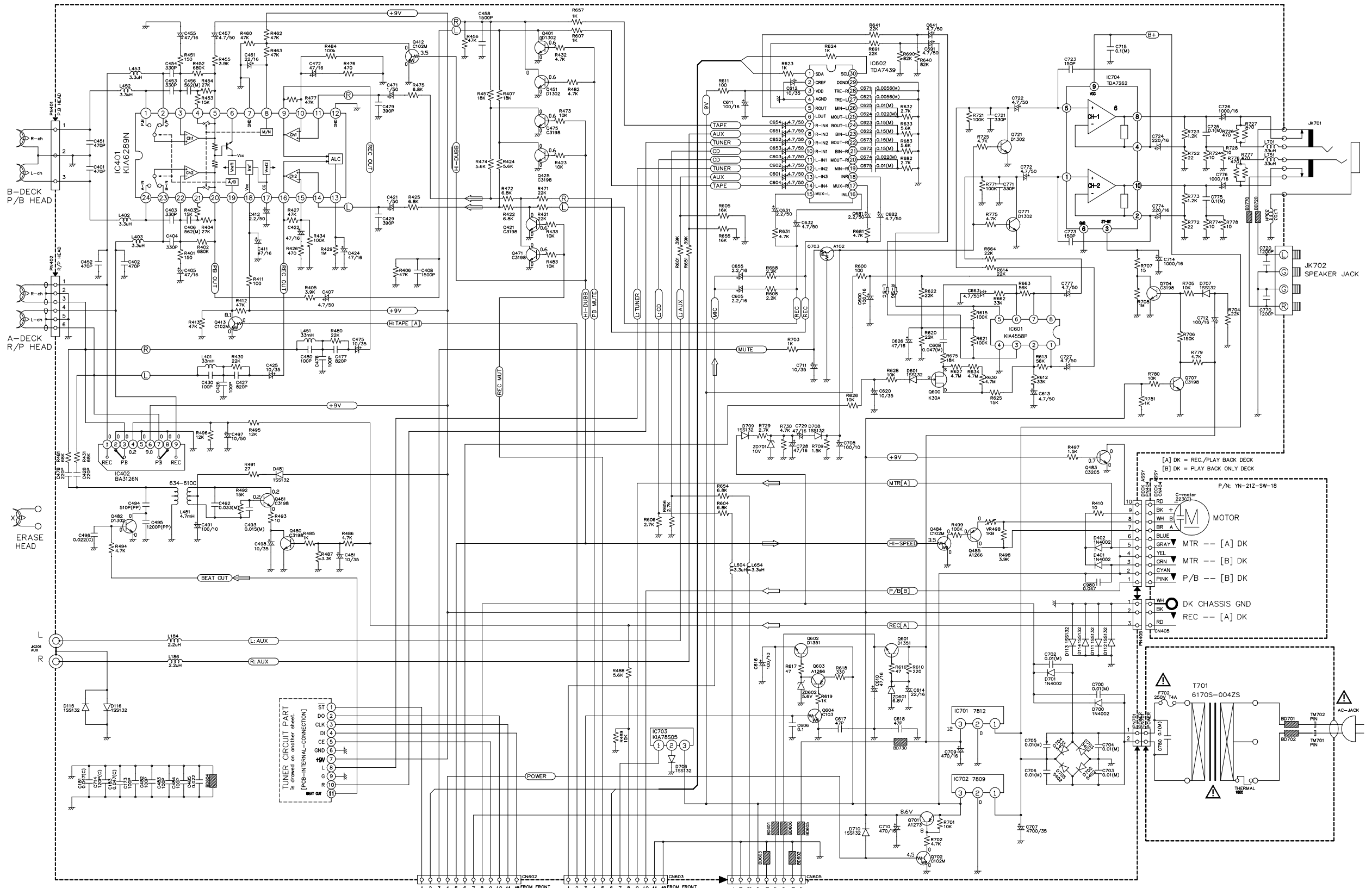
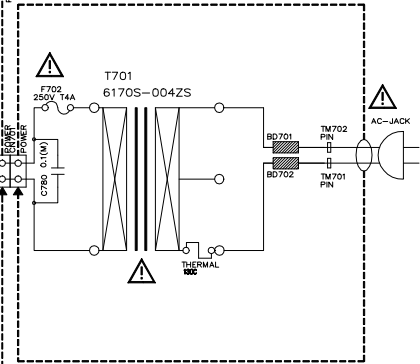
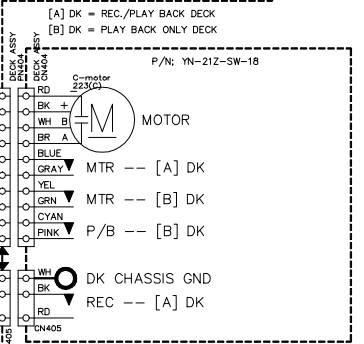


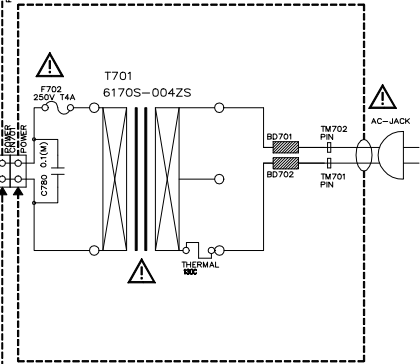
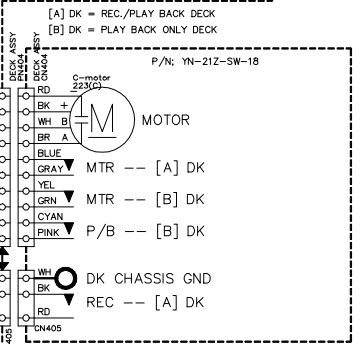
TUNER CIRCUIT PART  
is drawn on another sheet.  
[PCB-INTERNAL-CONNECTION]



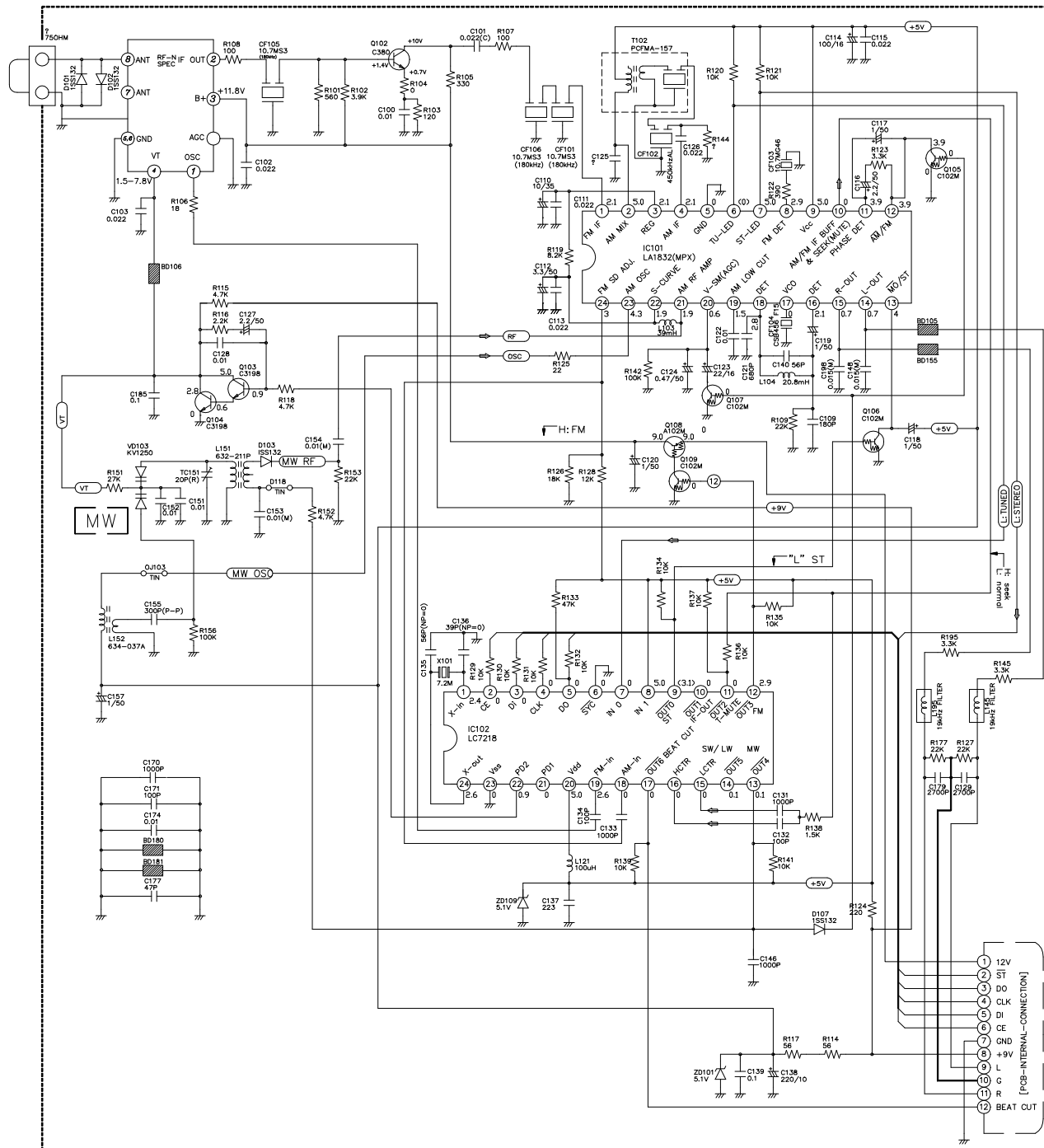
TUNER CIRCUIT PART  
is drawn on another sheet.  
[PCB-INTERNAL-CONNECTION]



TUNER CIRCUIT PART  
is drawn on another sheet.  
[PCB-INTERNAL-CONNECTION]







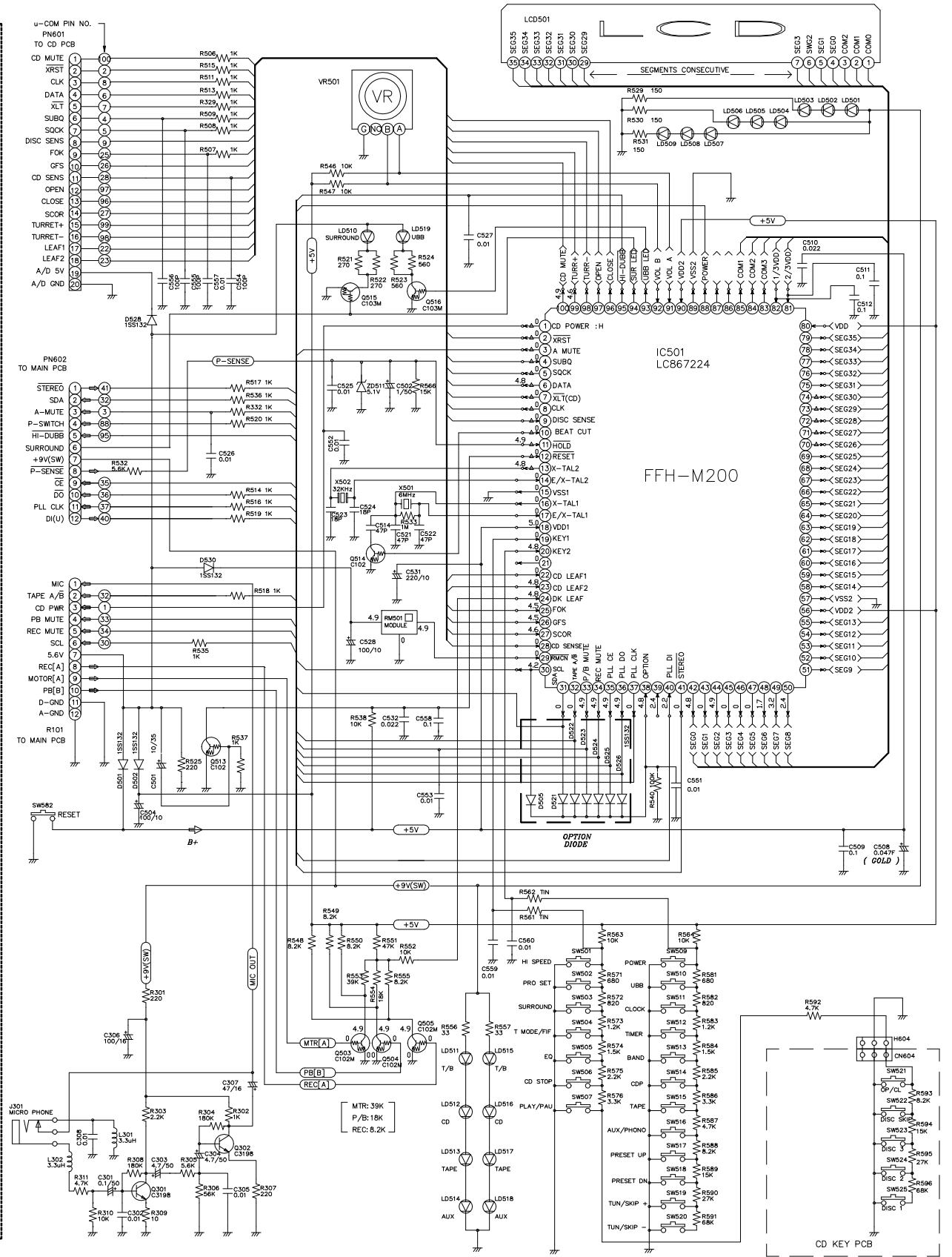
## 2BAND TUNER

6870S-38LAA

VT Calibration Unit: Volt

| BAND | LOW        | HIGH       | Tolerance |
|------|------------|------------|-----------|
| MW   | 0.82       | 4.7(FIXED) | ±0.2      |
| FM   | 1.5(FIXED) | 7.8(FIXED) | ±0.2      |

- \*\*\* VOLTAGE CHECK CONDITION \*\*\*
1. FUNCTION; FMTUNER)
  2. INPUT; 60dB, OUTPUT; 0.5W
  3. FREQ.; 98MHz, MDDE; MDND
  4. ED; FLAT
  5. ZERO VOLTAGE; GROUND OF TP101



CD KEY PCB