



P/NO : 3829RGP017H

APRIL, 2005  
Printed in Korea

LG Electronics Inc.

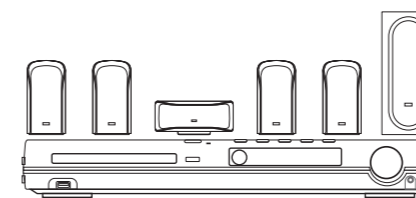
MODELS : LH-T550,1,2,3SB/LH-T550X,TK550X/LH-T751,3SB

SERVICE MANUAL

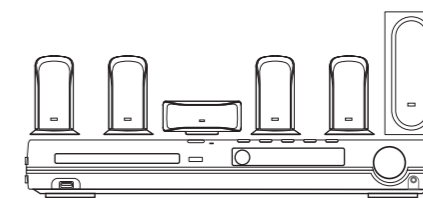


# DVD/CD & KARAOKE RECEIVER SERVICE MANUAL

**MODELS : LH-T550,1,2,3SB** [ Speakers: LHS-55SBC, LHS-55SBS, LHS-55SBW ]  
**LH-T550X,TK550X** [ Speakers: LHS-55SBC, LHS-55SBS, LHS-55SBW ]  
**LH-T751,3SB** [ Speakers: LHS-75SBC, LHS-75SBS, LHS-75SBW ]

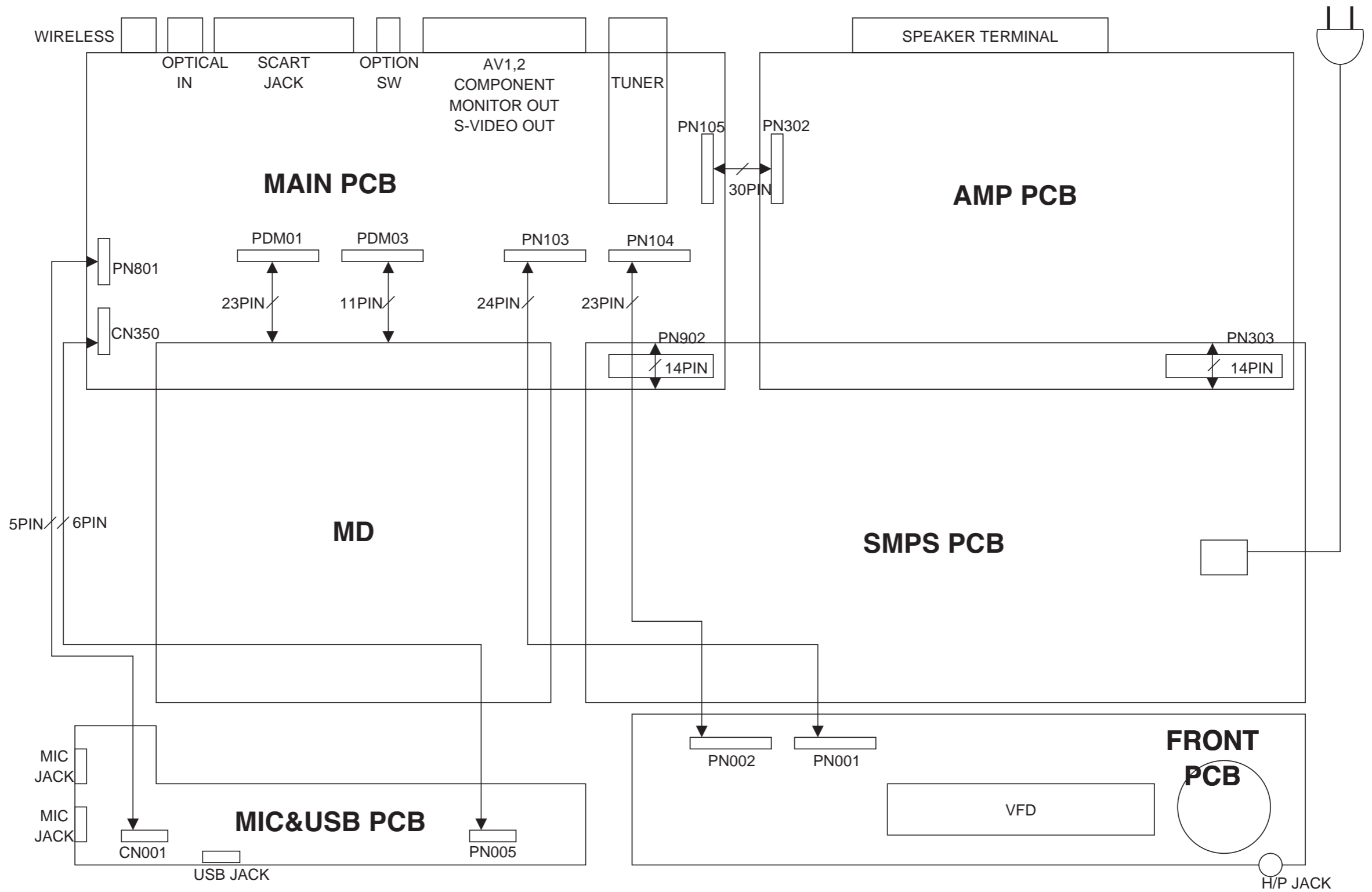


LH-T550,1,2,3SB/LH-T550X,TK550X

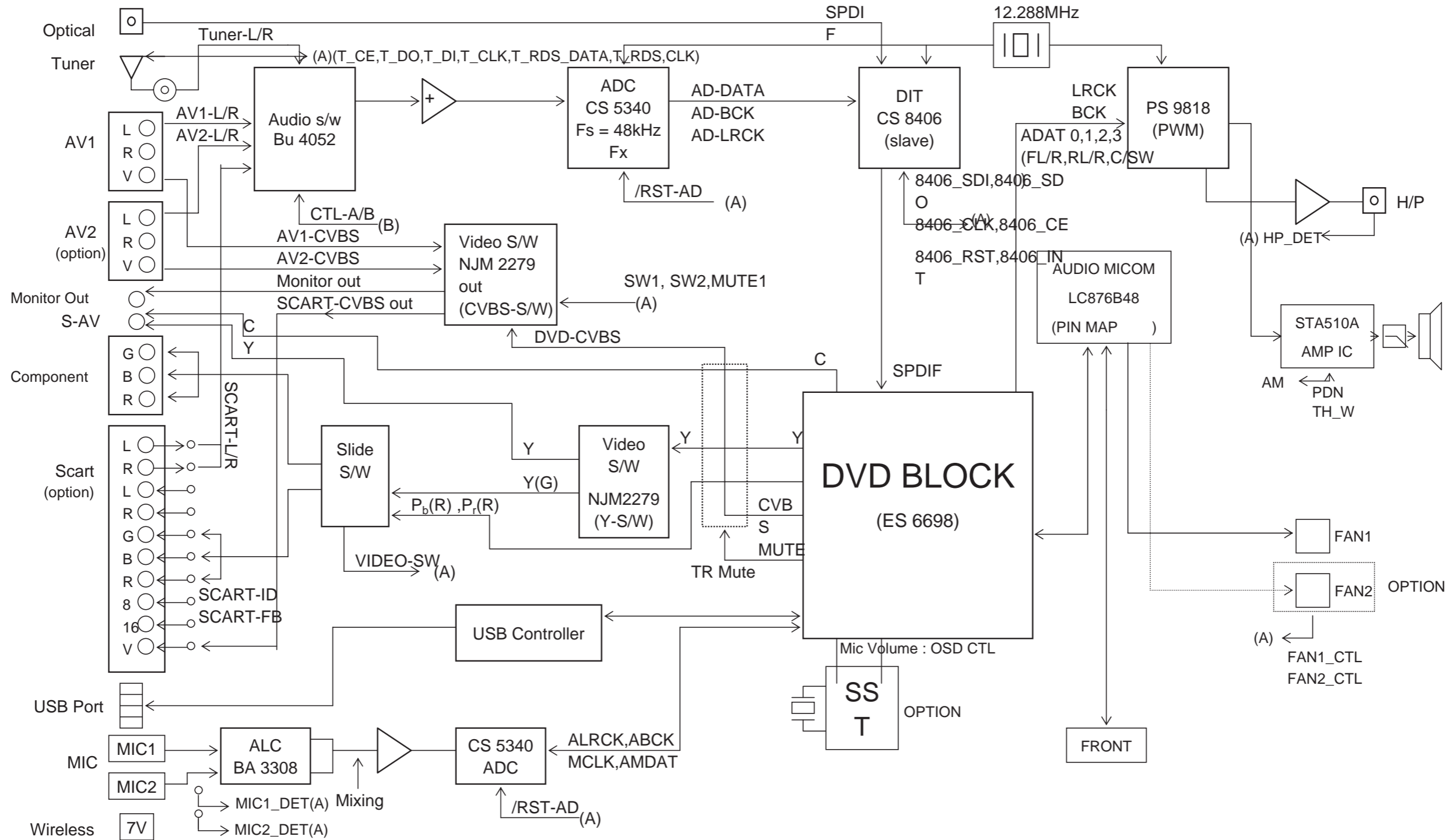


LH-T751,3SB

# WIRING DIAGRAM

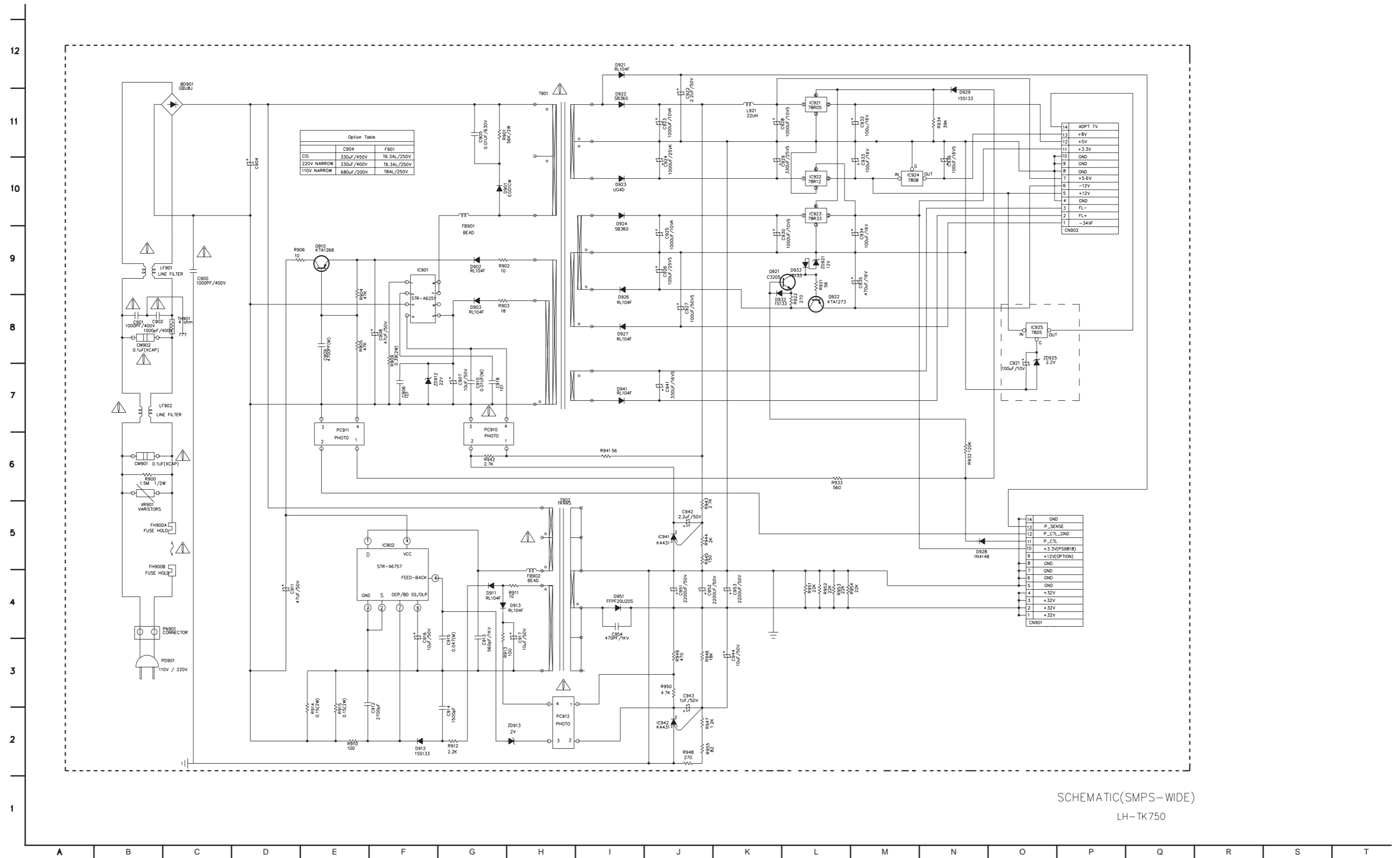


# BLOCK DIAGRAM



# SCHEMATIC DIAGRAMS

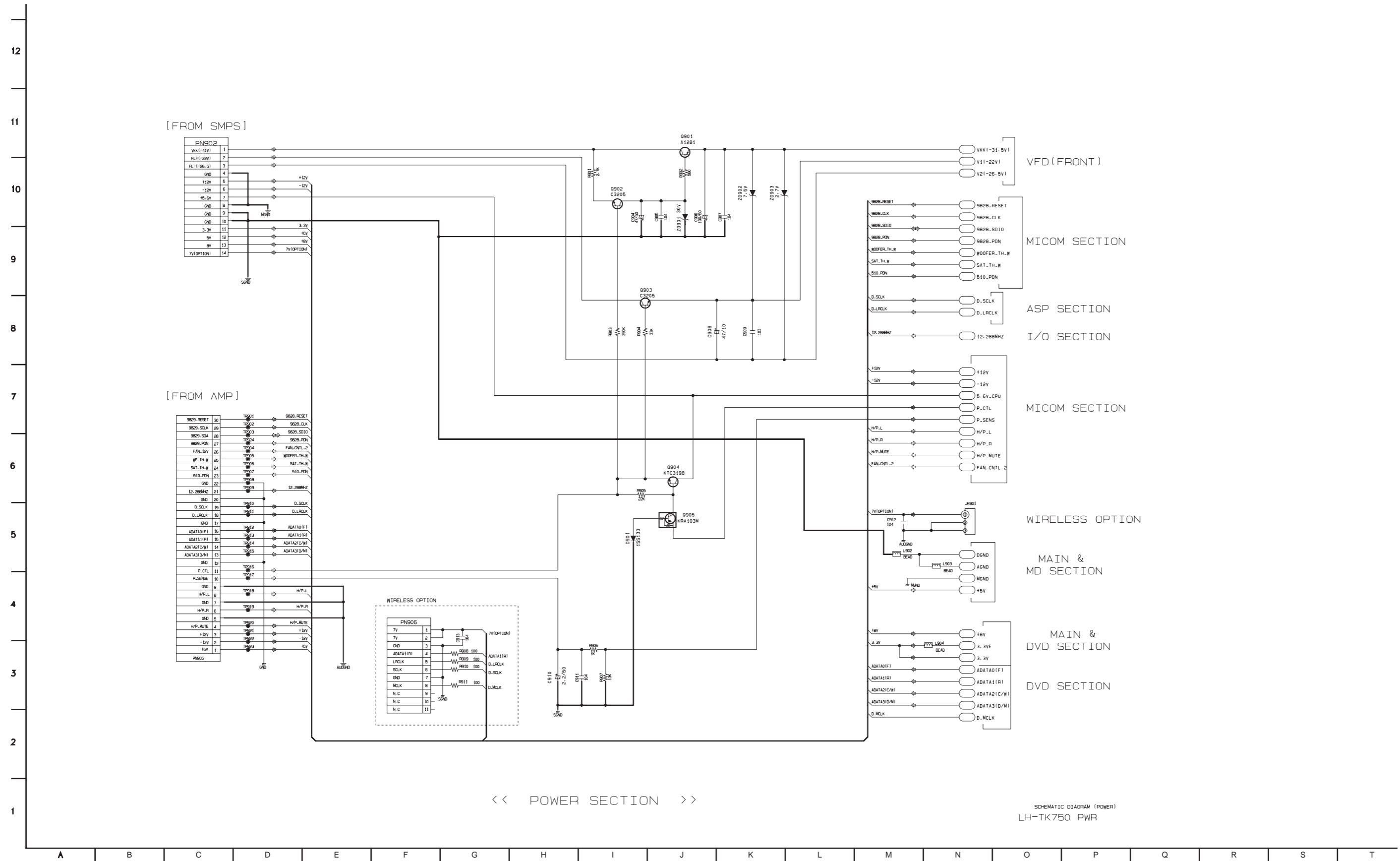
## 1. POWER SCHEMATIC DIAGRAM\_1



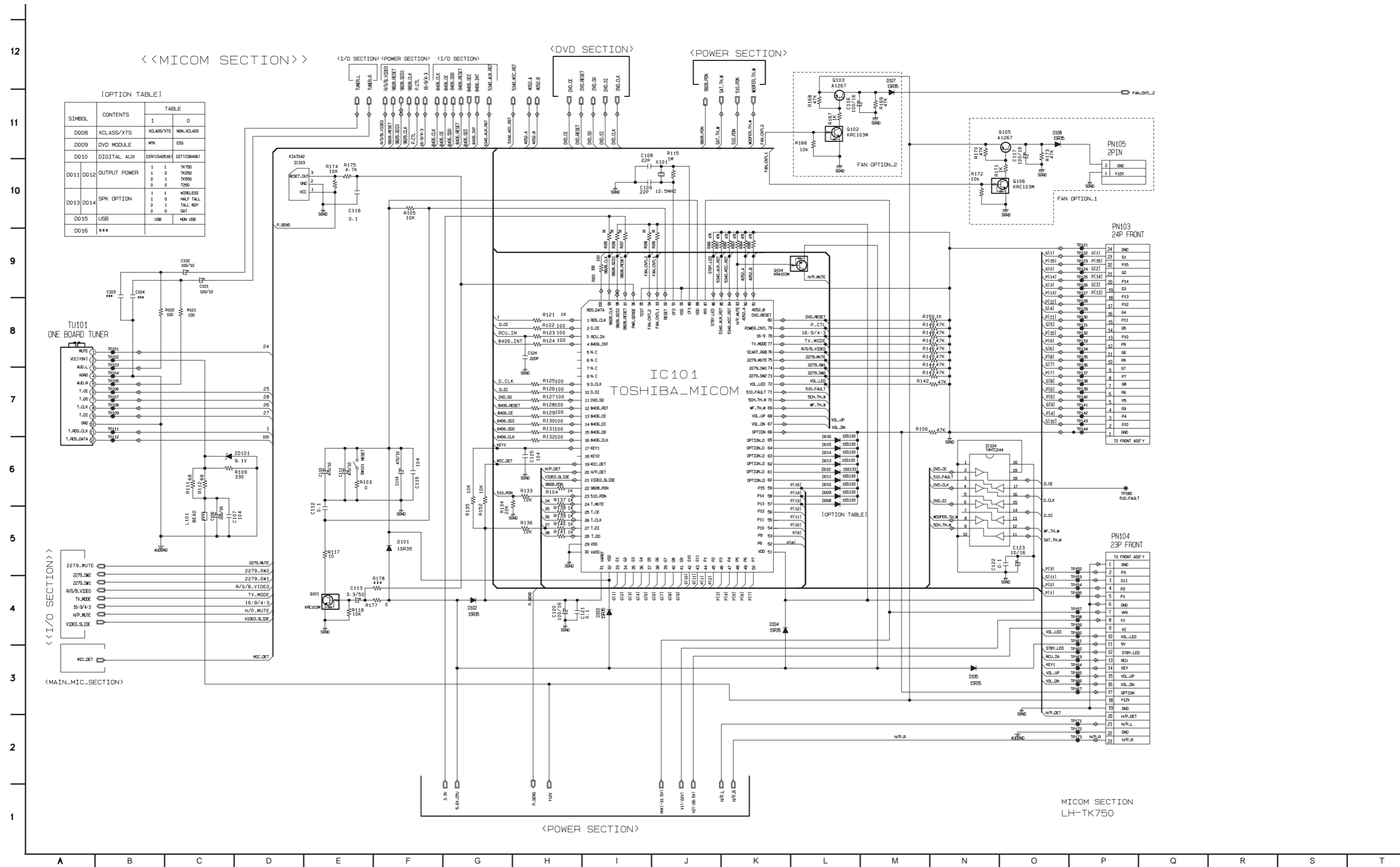
SCHEMATIC(SMPS-WIDE)

LH-TK 750

## 2. POWER SCHEMATIC DIAGRAM\_2

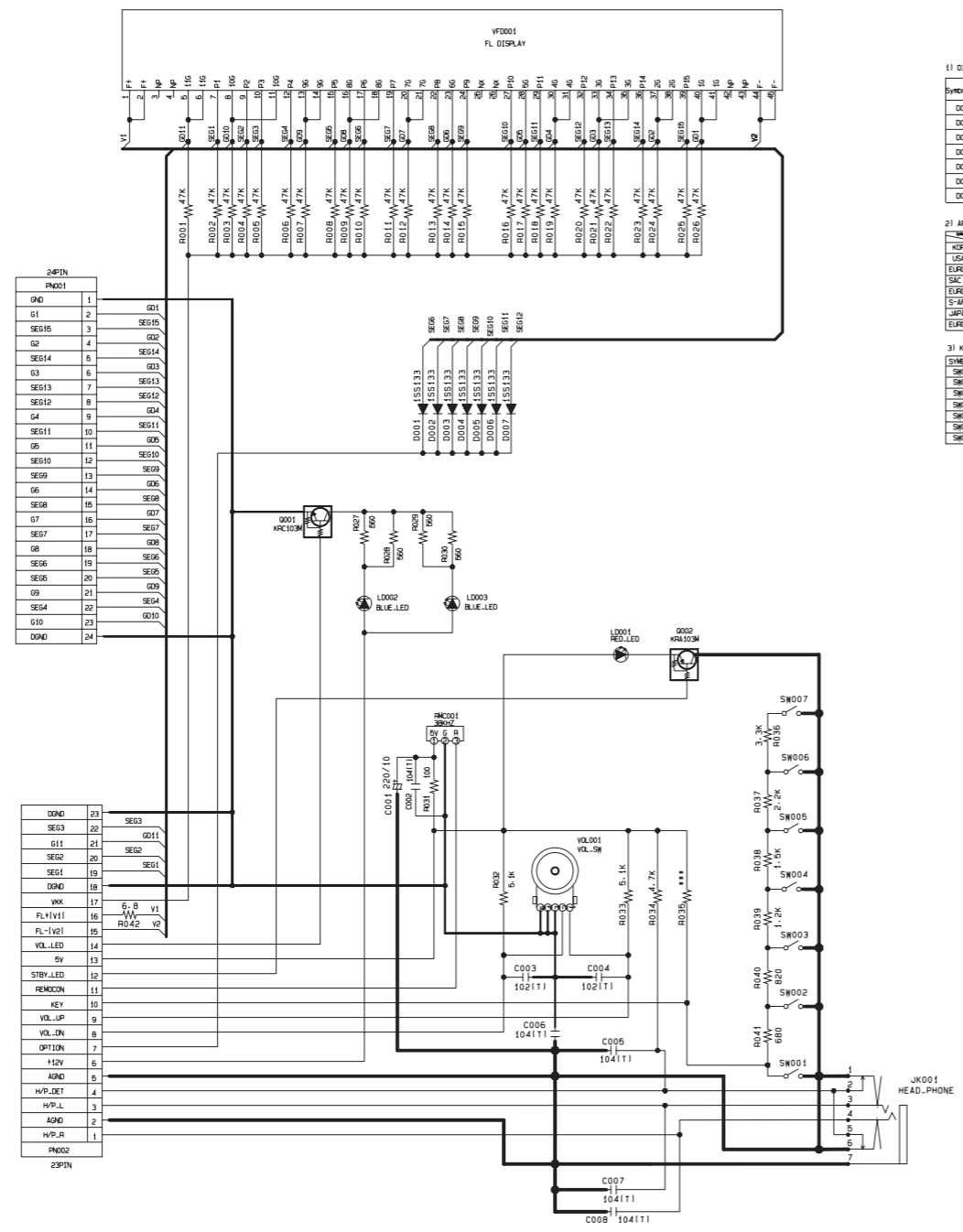


### 3. MICOM SCHEMATIC DIAGRAM



# 4. FRONT SCHEMATIC DIAGRAM

12  
11  
10  
9  
8  
7  
6  
5  
4  
3  
2  
1



1) DIODE OPTION

SYMBOL NO.	CONTENTS	TABLE
D001	AREA-1	1 0
D002	AREA-2	
D003	AREA-3	REMARK
D004	FM STND	10K 50K
D005	AM STND	10K 5K
D006	RES	NON RES RES
D007	SCART	NON SCART

2) AREA OPTION

AREA	D001	D002	D003
KOR	0	0	0
USA	1	0	0
EUROPE1	0	1	0
SAC	1	1	0
EUROPE2	0	0	1
AFRICA	1	0	1
JAPAN	0	1	1
EUROPE3	1	1	1

3) KEY

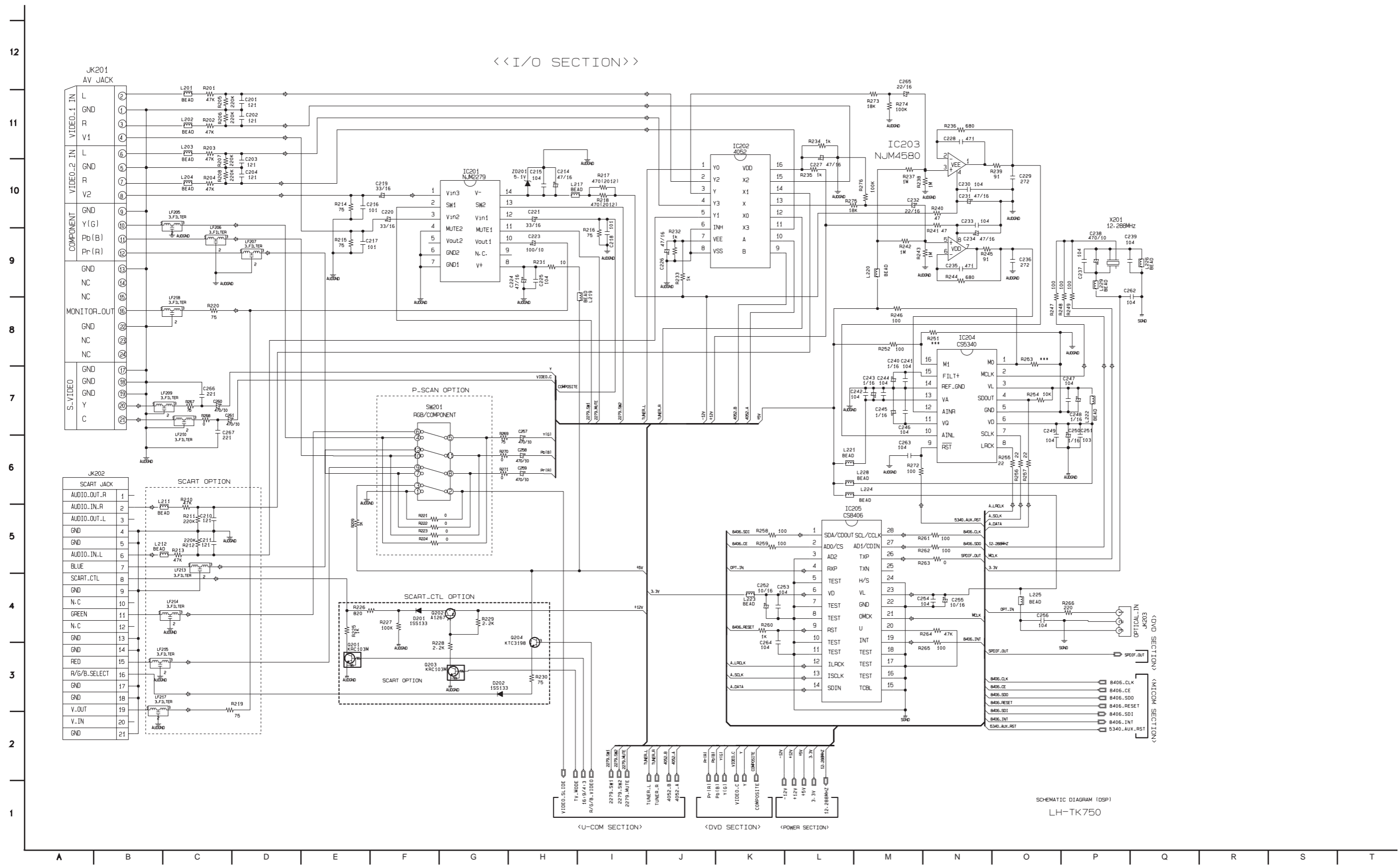
SYMBOL NO.	LH-T750
SW001	SKIP/SEARCH/PRESET1
SW002	SKIP/SEARCH/PRESET1
SW003	STOP
SW004	PAUSE/MONO/STEREO
SW005	PLAY
SW006	OPEN/CLOSE
SW007	STAN-BY

SCHEMATIC DIAGRAM(FRONT)  
LH-TK750 (FRONT #013)

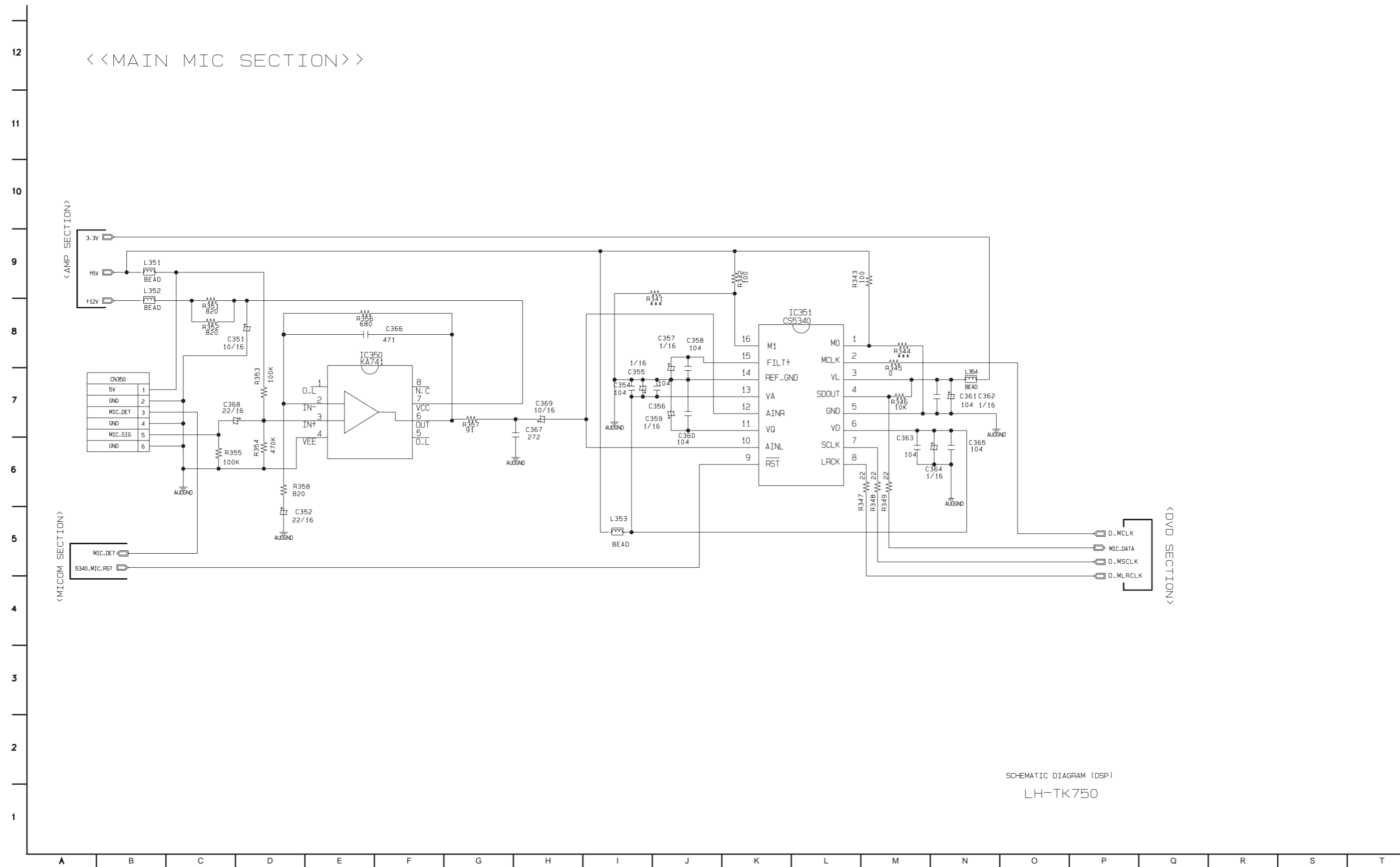




# 6. I/O SCHEMATIC DIAGRAM



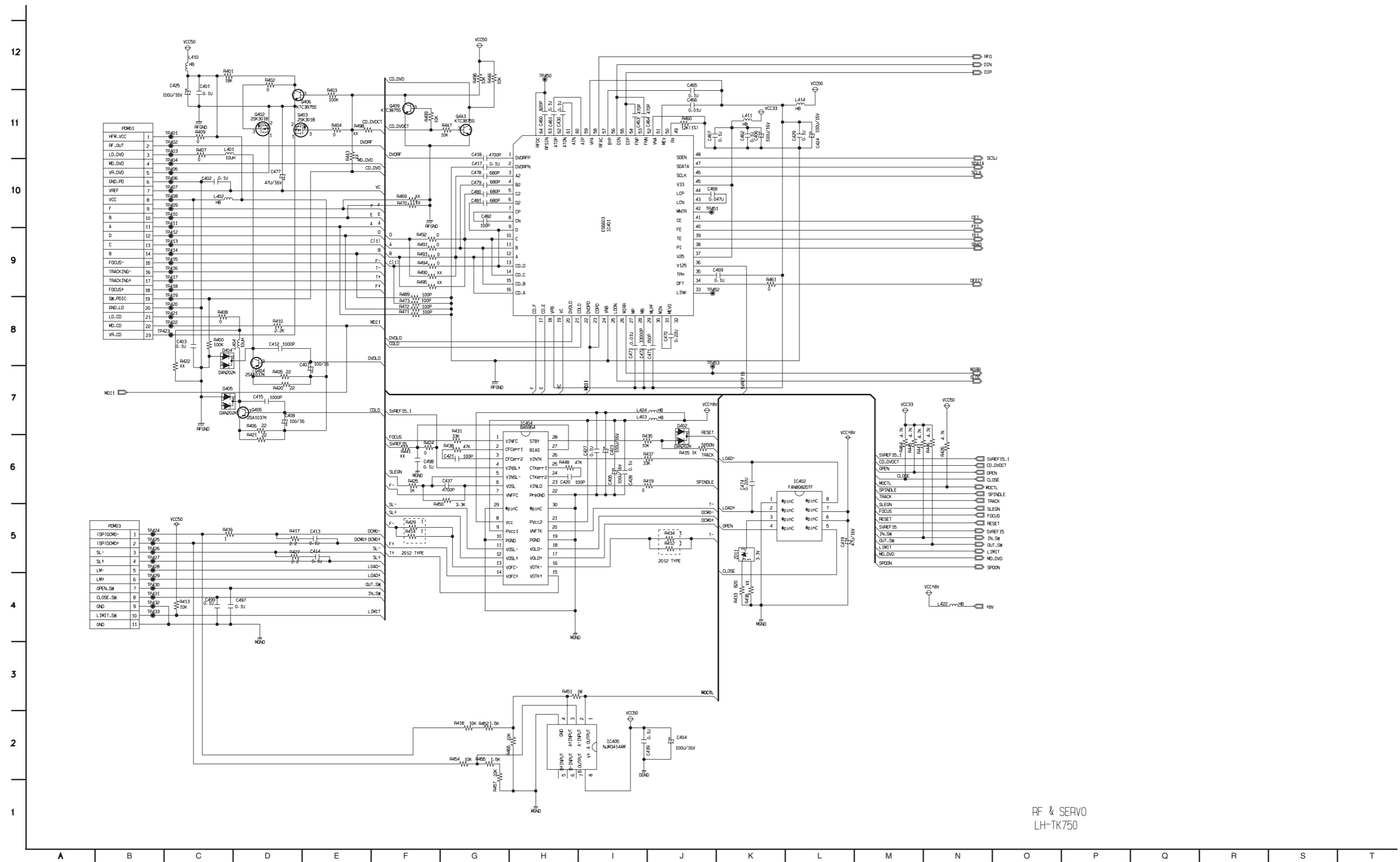
# 7. MAIN MIC SCHEMATIC DIAGRAM



SCHEMATIC DIAGRAM (DSP)  
LH-TK750

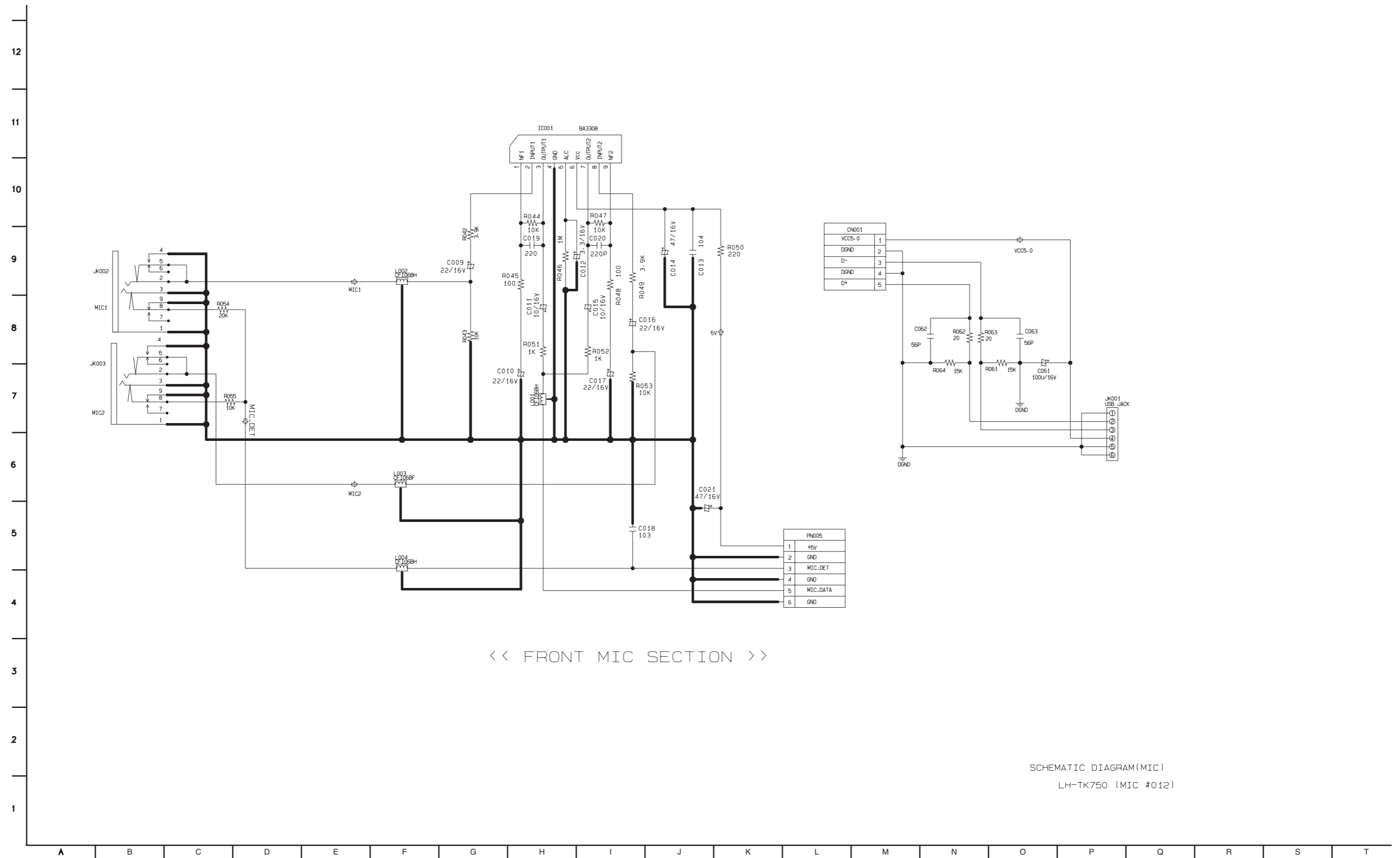


## 2. RF & SERVO SCHEMATIC DIAGRAM



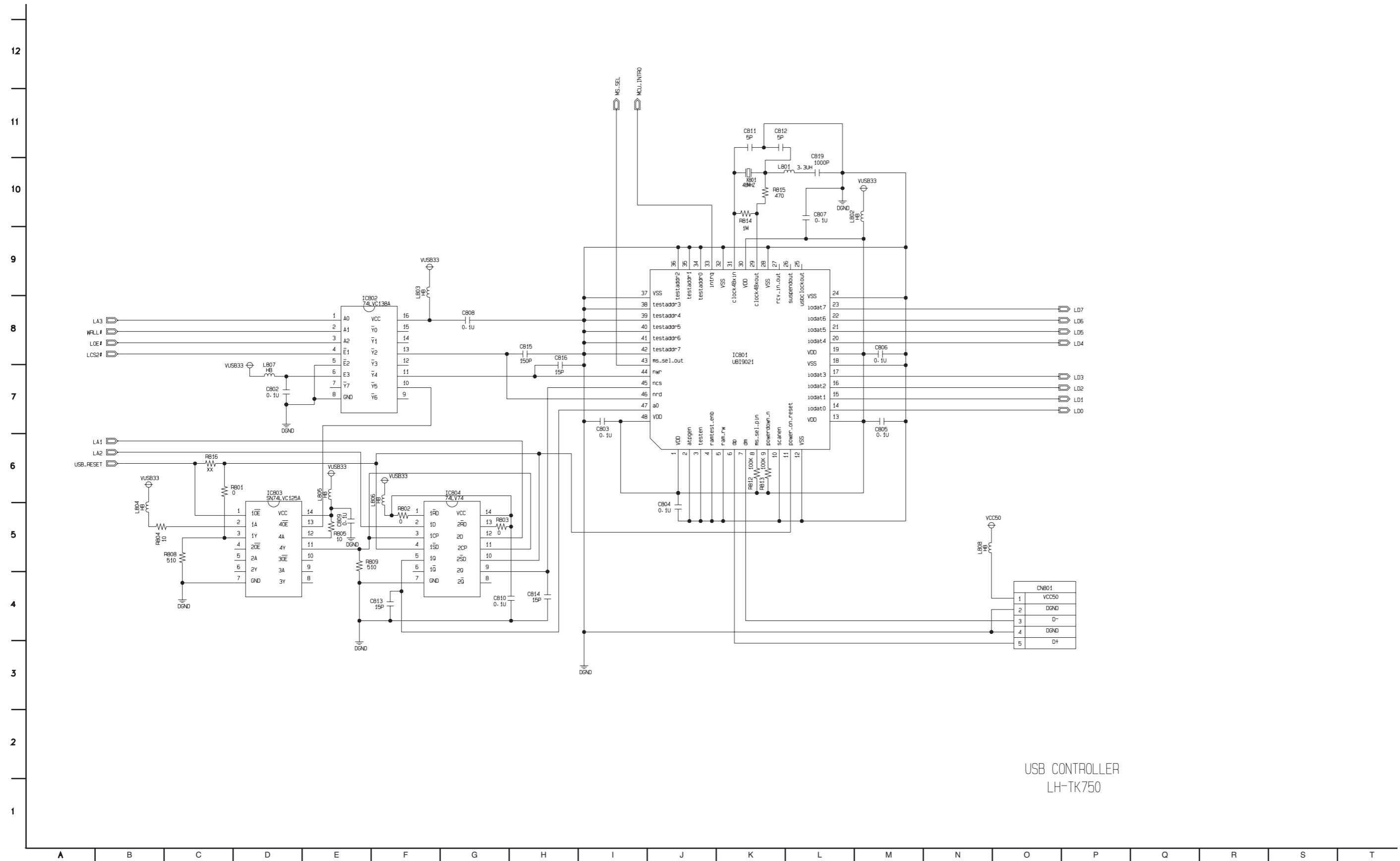
RF & SERVO  
LH-TK750

### 3. FRONT KARAOKE SCHEMATIC DIAGRAM



SCHEMATIC DIAGRAM(MIC)  
LH-TK750 (MIC #012)

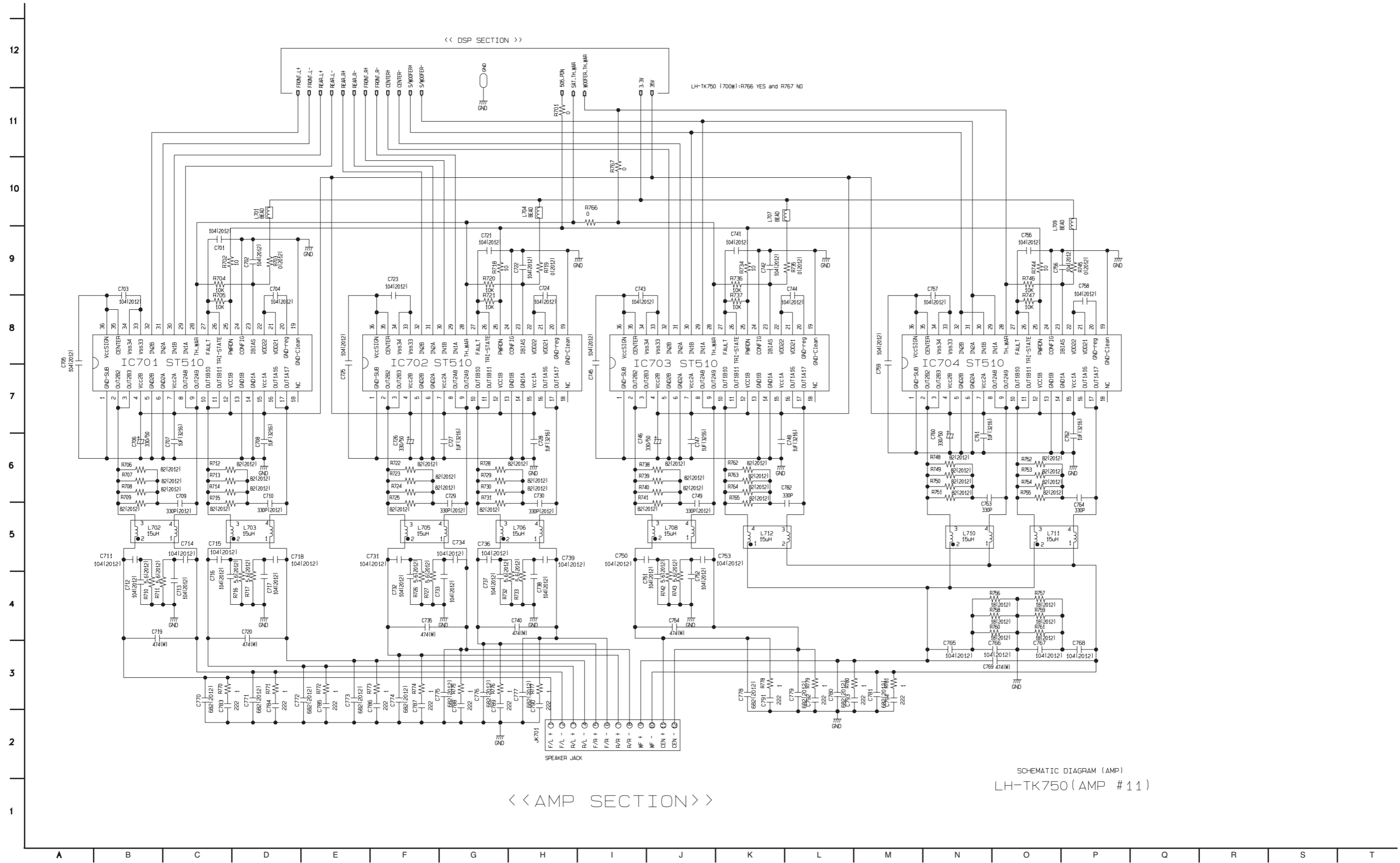
# 4. USB CONTROLLER SCHEMATIC DIAGRAM



USB CONTROLLER  
LH-TK750



# 6. AMP SCHEMATIC DIAGRAM ( 7TOOL )



SCHEMATIC DIAGRAM (AMP)  
LH-TK750 (AMP # 11)