



SERVICE MANUAL

MODELS : LH-T550,1,2,3SB/LH-T550X,TK550X/LH-T751,3SB

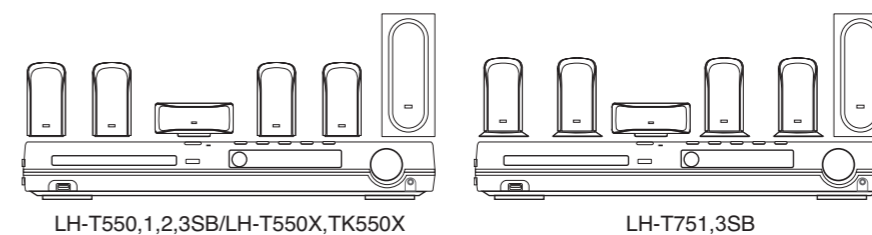


DVD/CD & KARAOKE RECEIVER SERVICE MANUAL

MODELS : LH-T550,1,2,3SB [Speakers: LHS-55SBC, LHS-55SBS, LHS-55SBW]
LH-T550X,TK550X [Speakers: LHS-55SBC, LHS-55SBS, LHS-55SBW]
LH-T751,3SB [Speakers: LHS-75SBC, LHS-75SBS, LHS-75SBW]

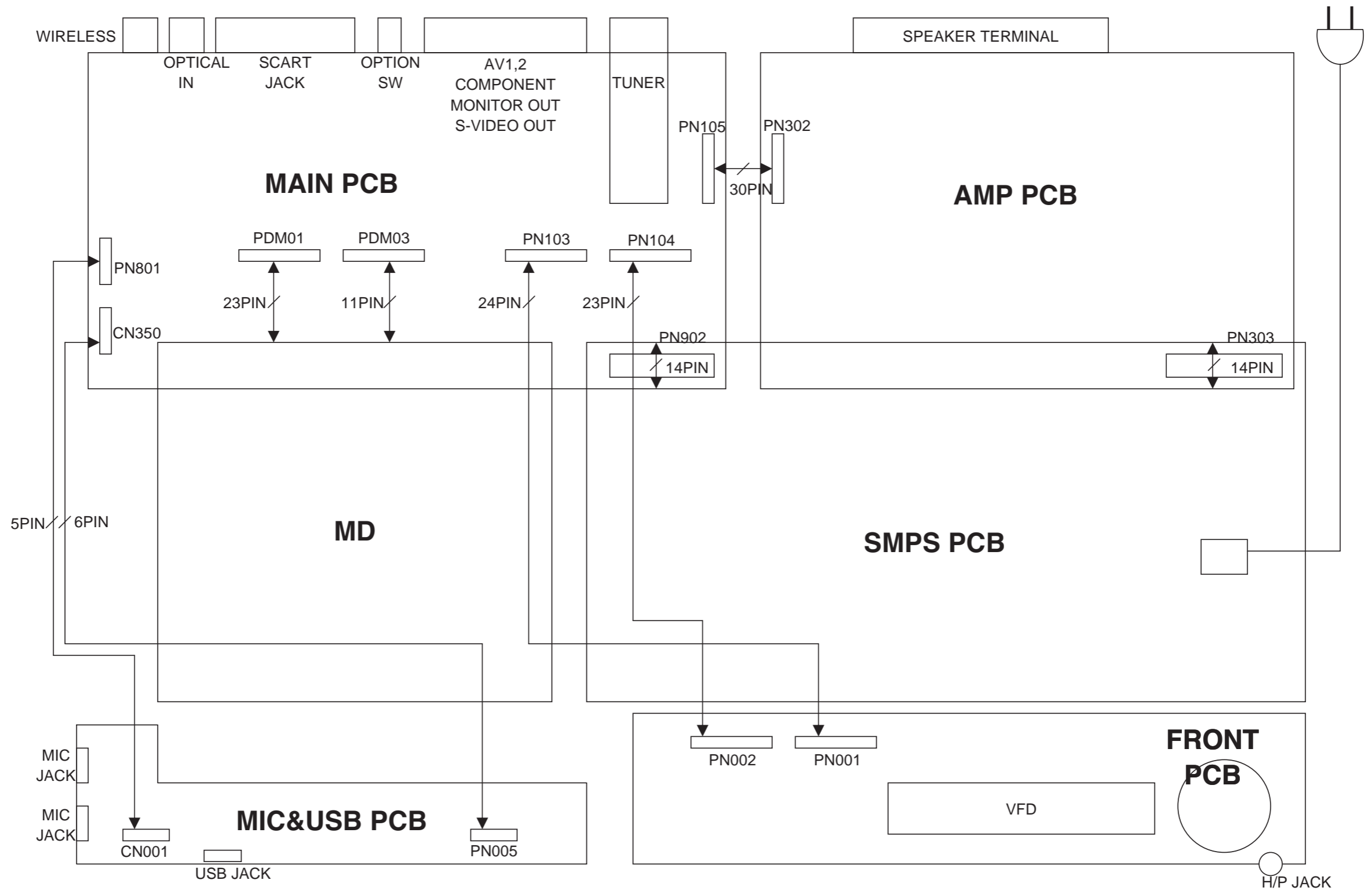
P/NO : 3829RGP017H

APRIL, 2005
Printed in Korea

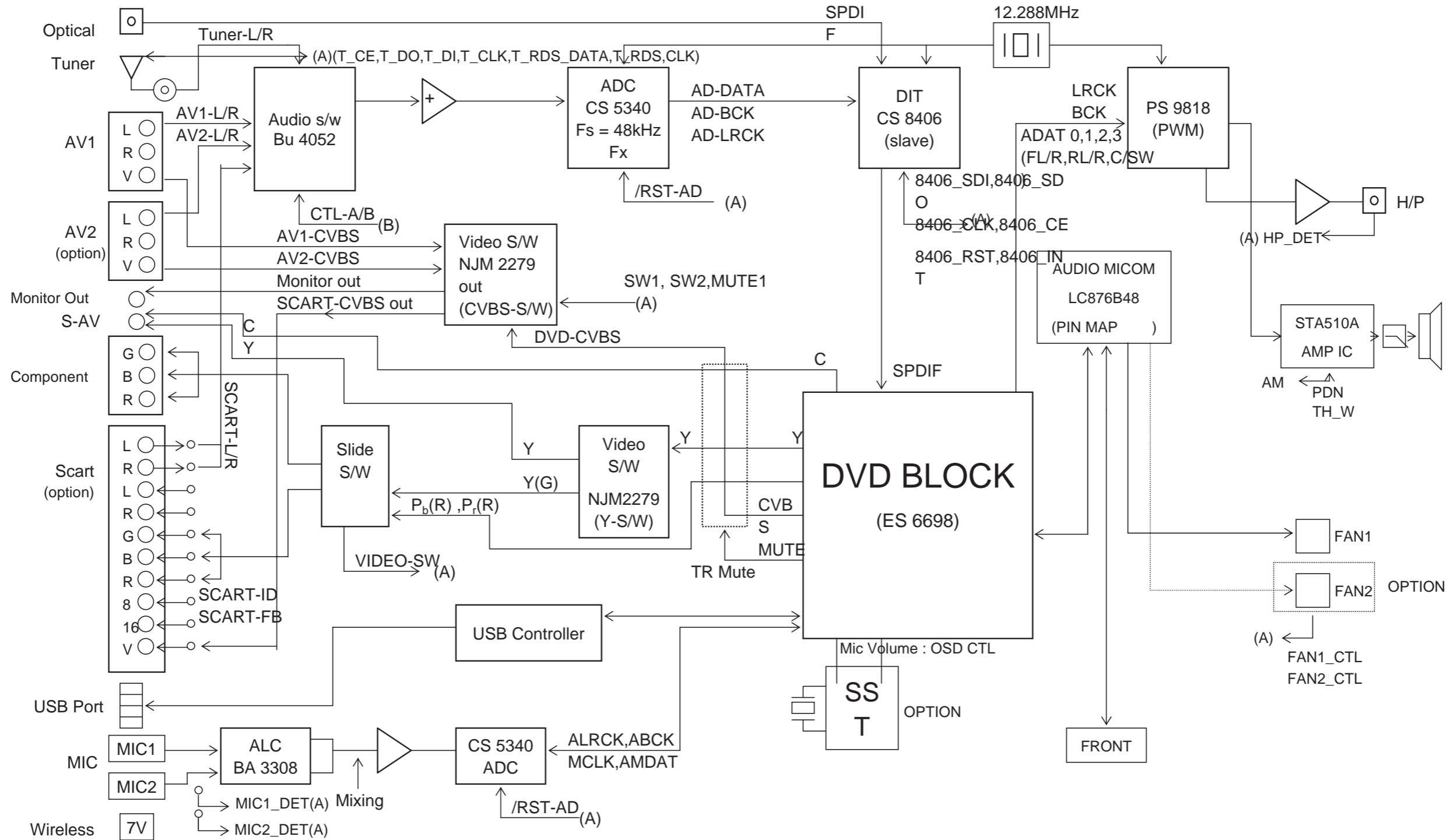


LG Electronics Inc.

WIRING DIAGRAM

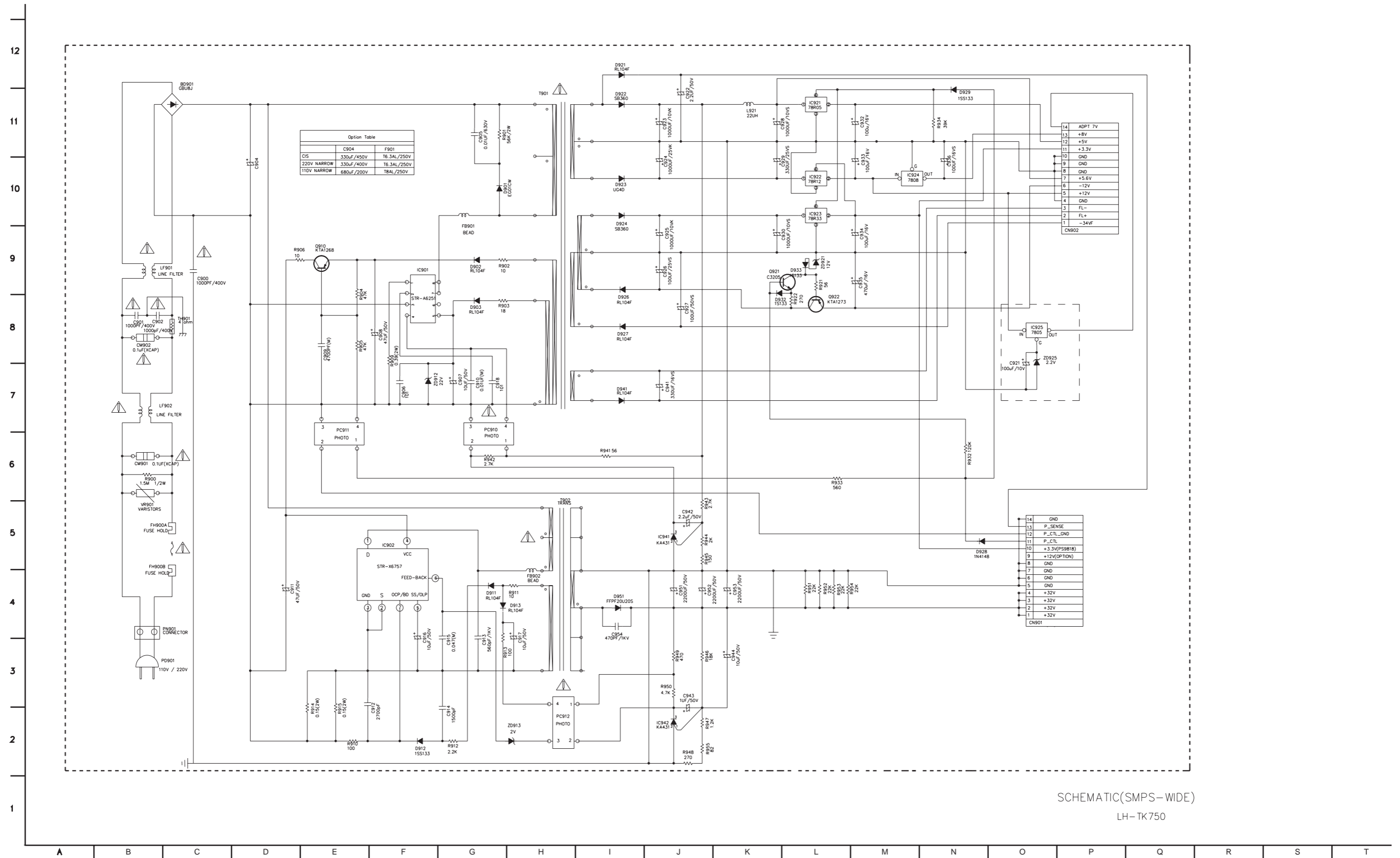


BLOCK DIAGRAM



SCHEMATIC DIAGRAMS

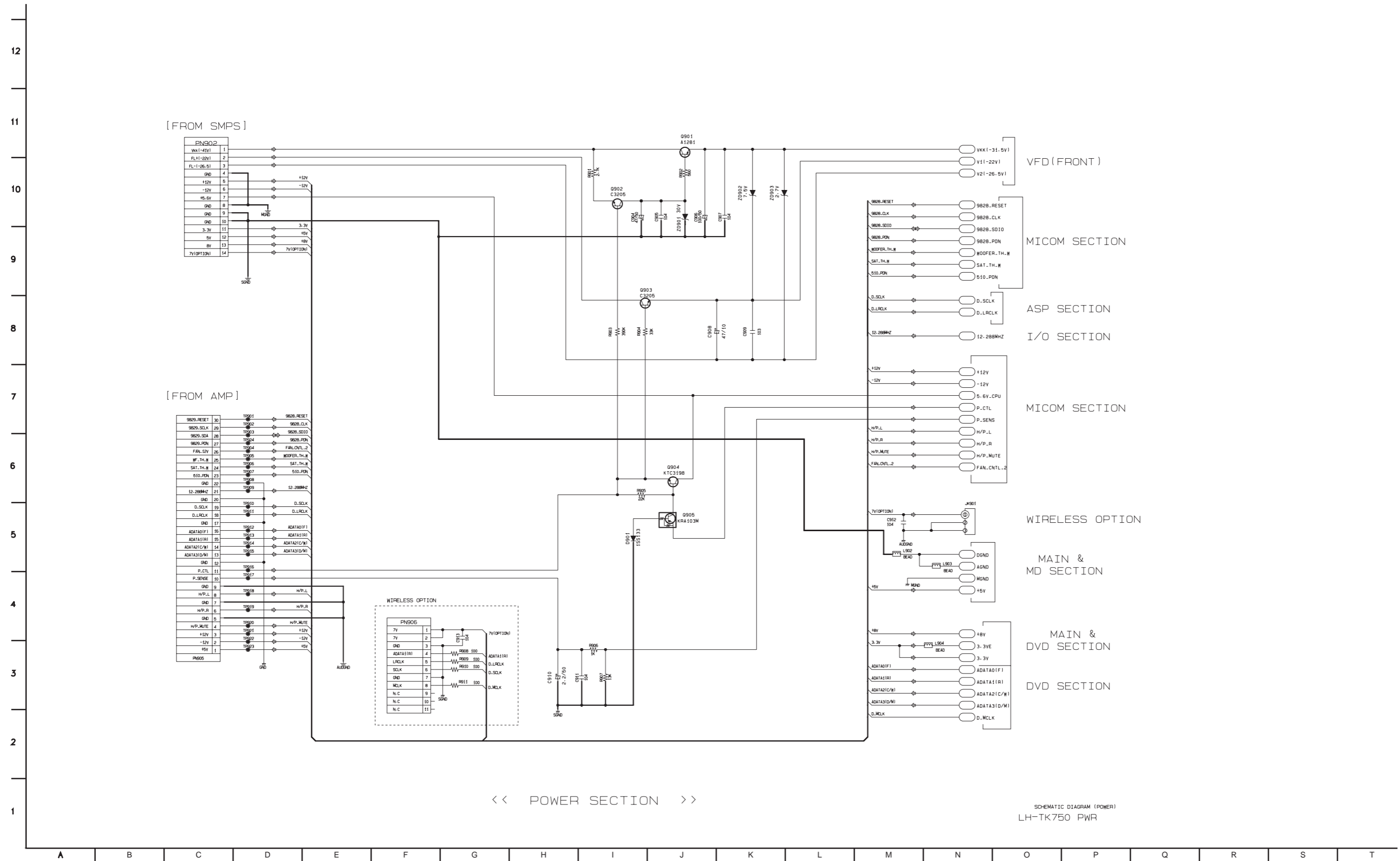
1. POWER SCHEMATIC DIAGRAM_1



SCHEMATIC(SMPS-WIDE)

LH-TK 750

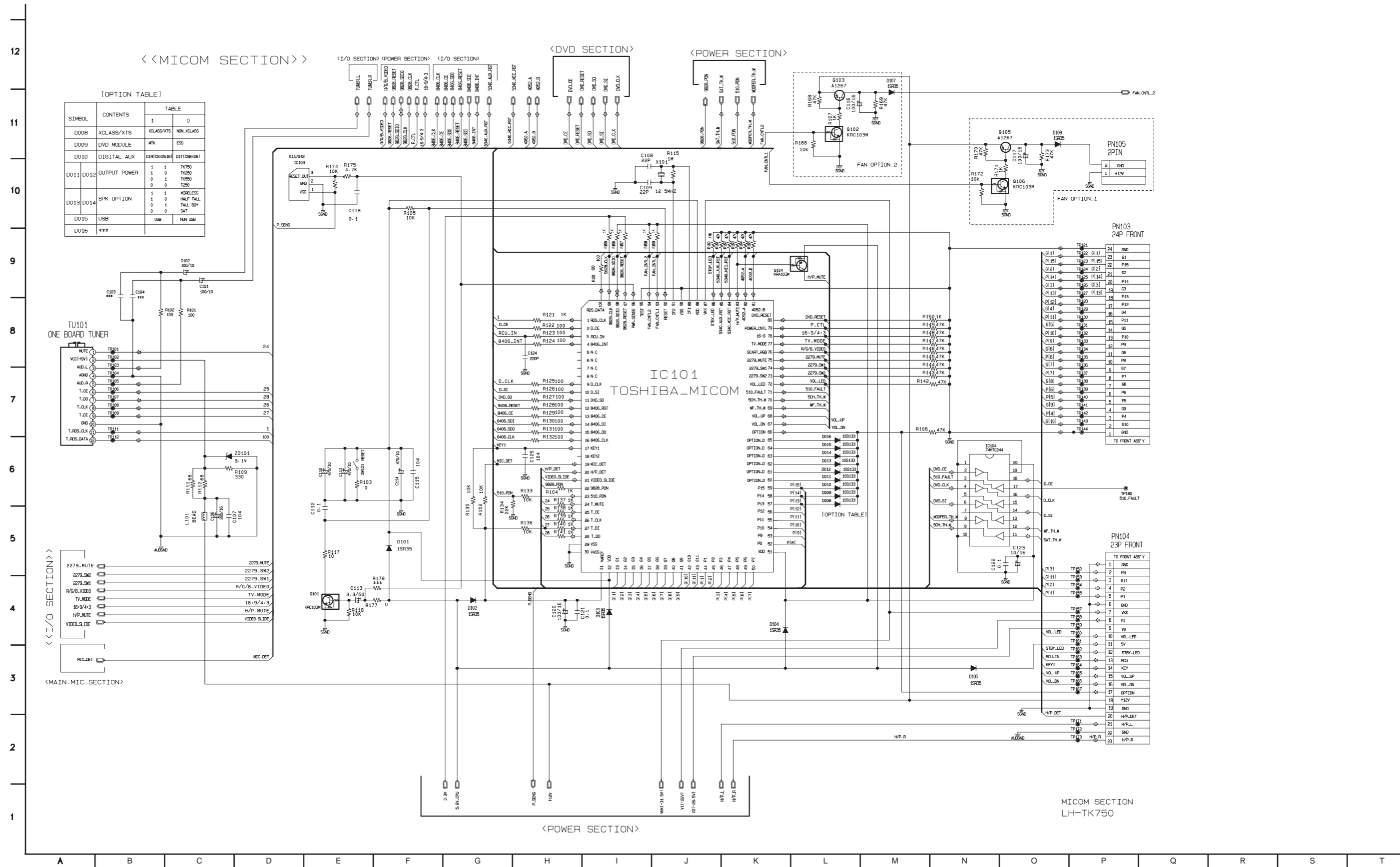
2. POWER SCHEMATIC DIAGRAM_2



<< POWER SECTION >>

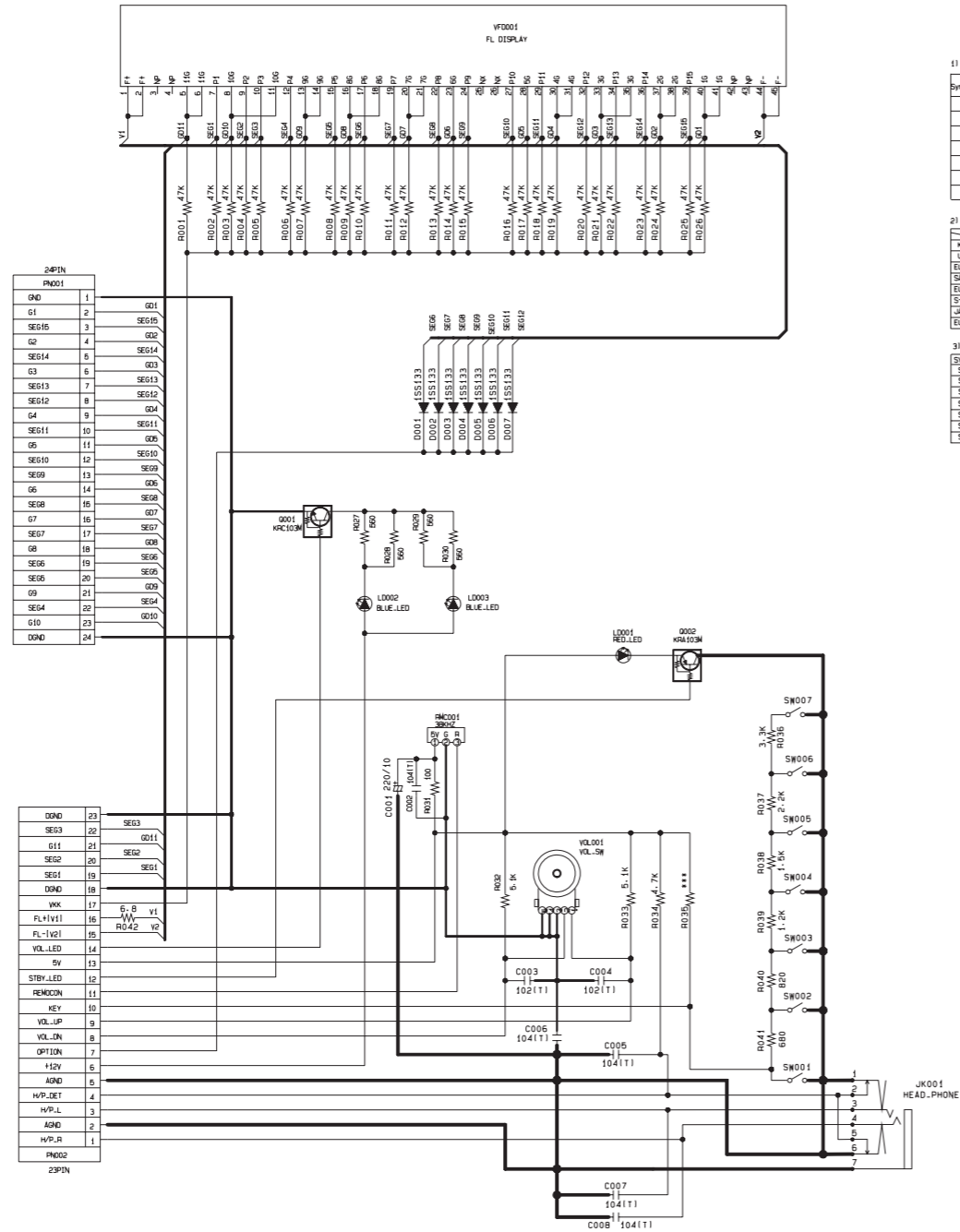
SCHEMATIC DIAGRAM (POWER)
LH-TK750 PWR

3. MICOM SCHEMATIC DIAGRAM



4. FRONT SCHEMATIC DIAGRAM

12
11
10
9
8
7
6
5
4
3
2
1



1) DIODE OPTION

SYMBOL NO.	CONTENTS	TABLE
D001	AREA-1	1 0
D002	AREA-2	
D003	AREA-3	REMARK
D004	FM STND	10K 50K
D005	AM STND	10K 5K
D006	RES	NON RES RES
D007	SCART	NON SCART

2) AREA OPTION

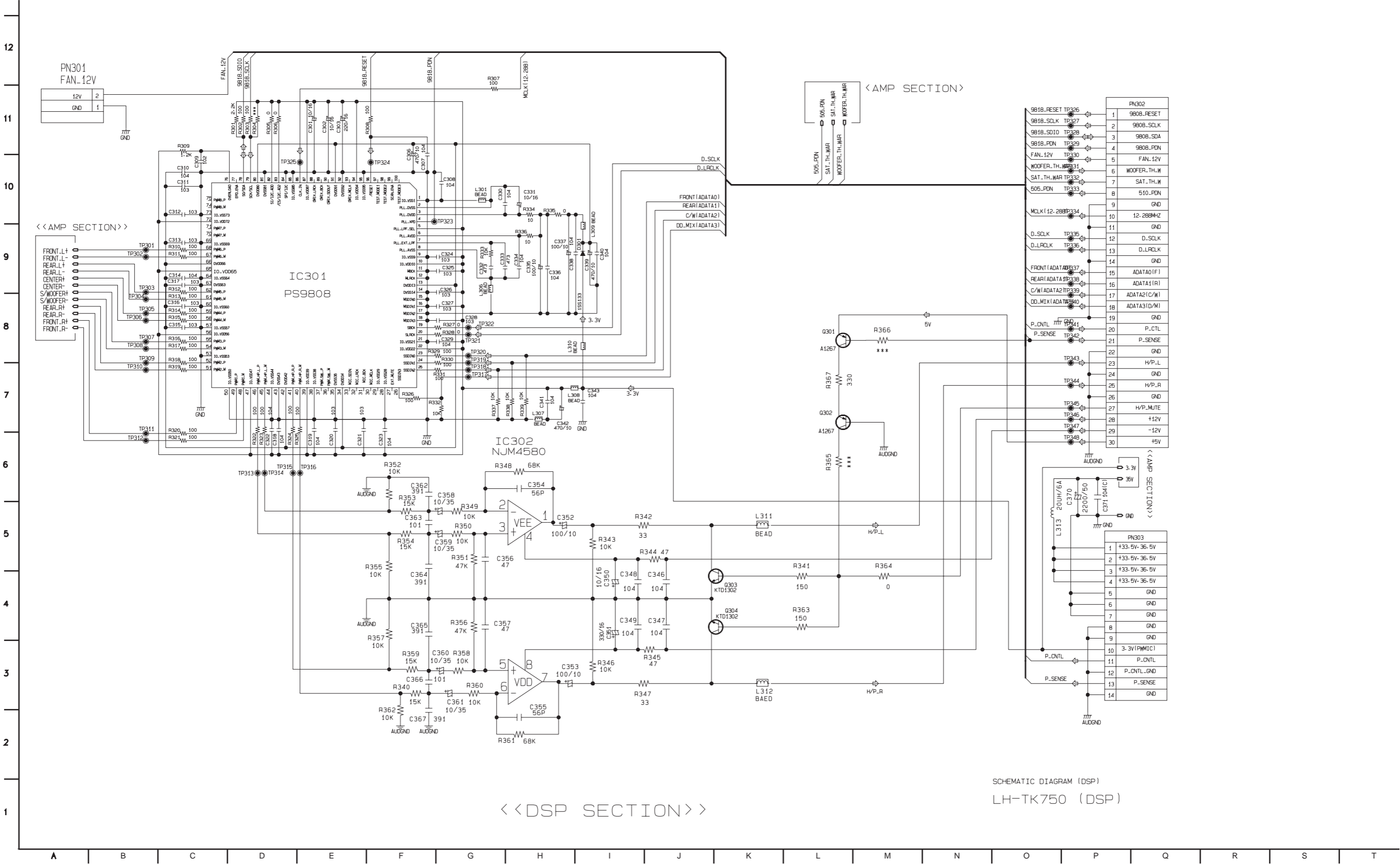
AREA	D001	D002	D003
KOR	0	0	0
USA	1	0	0
EUROPE1	0	1	0
SAC	1	1	0
EUROPE2	0	0	1
AFRICA	1	0	1
JAPAN	0	1	1
EUROPE3	1	1	1

3) KEY

SYMBOL NO.	LH-T750
SW001	SKIP/SEARCH/PRESET1
SW002	SKIP/SEARCH/PRESET1
SW003	STOP
SW004	PAUSE/MONO/STEREO
SW005	PLAY
SW006	OPEN/CLOSE
SW007	STAN-BY

SCHEMATIC DIAGRAM(FRONT)
LH-TK750 (FRONT #013)

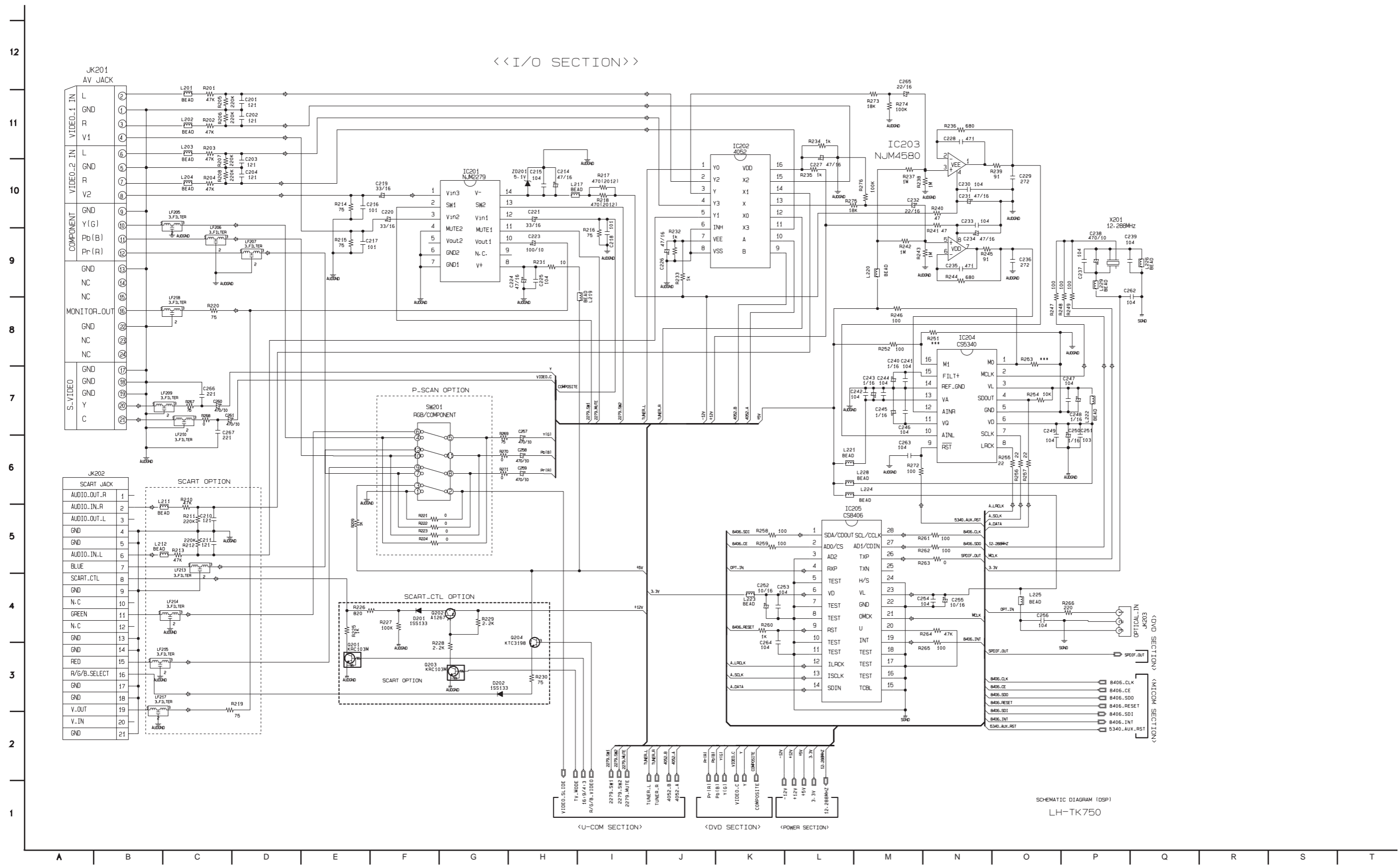
5. DSP& SCHEMATIC DIAGRAM



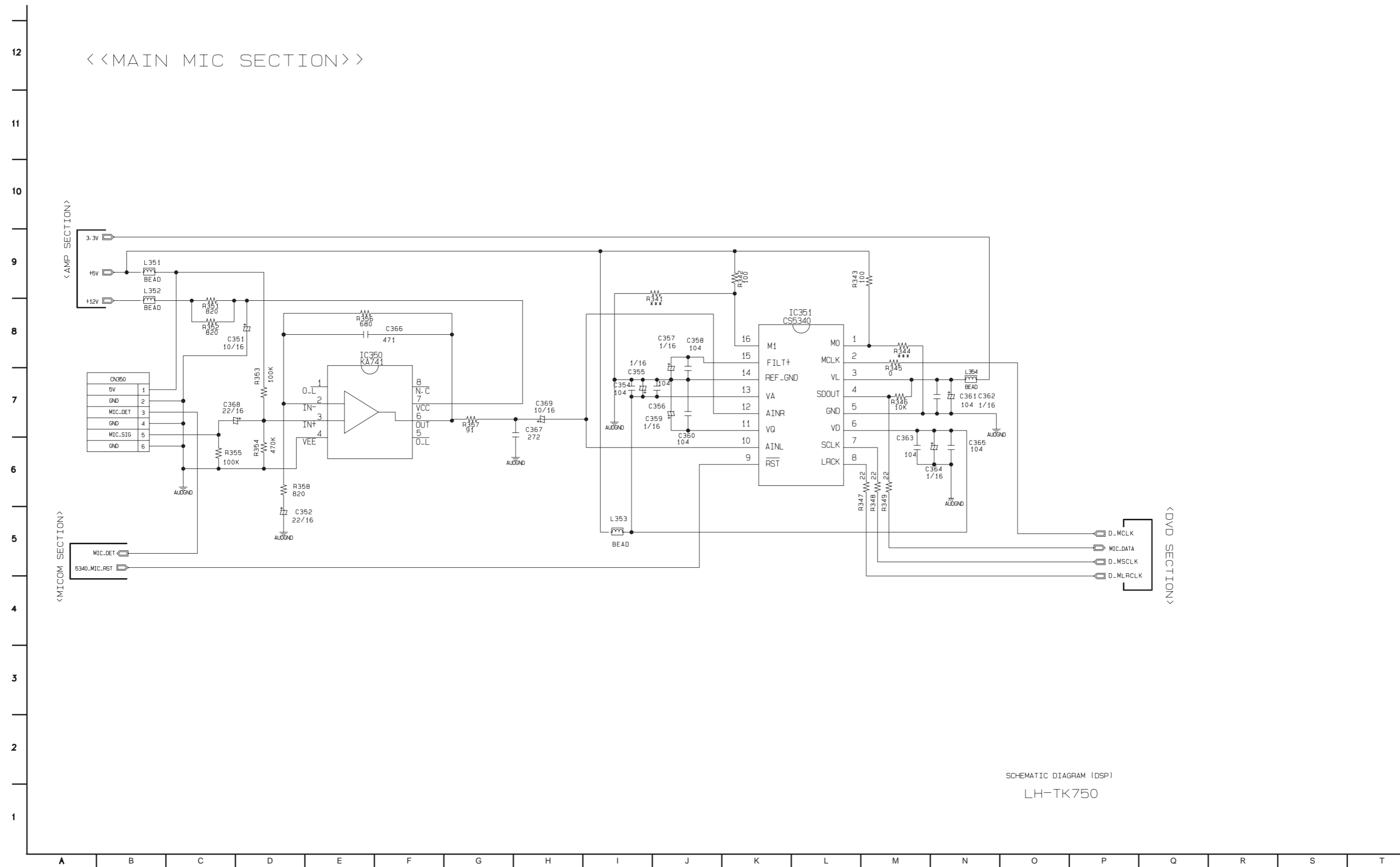
<< DSP SECTION >>

SCHEMATIC DIAGRAM (DSP)
LH-TK750 (DSP)

6. I/O SCHEMATIC DIAGRAM

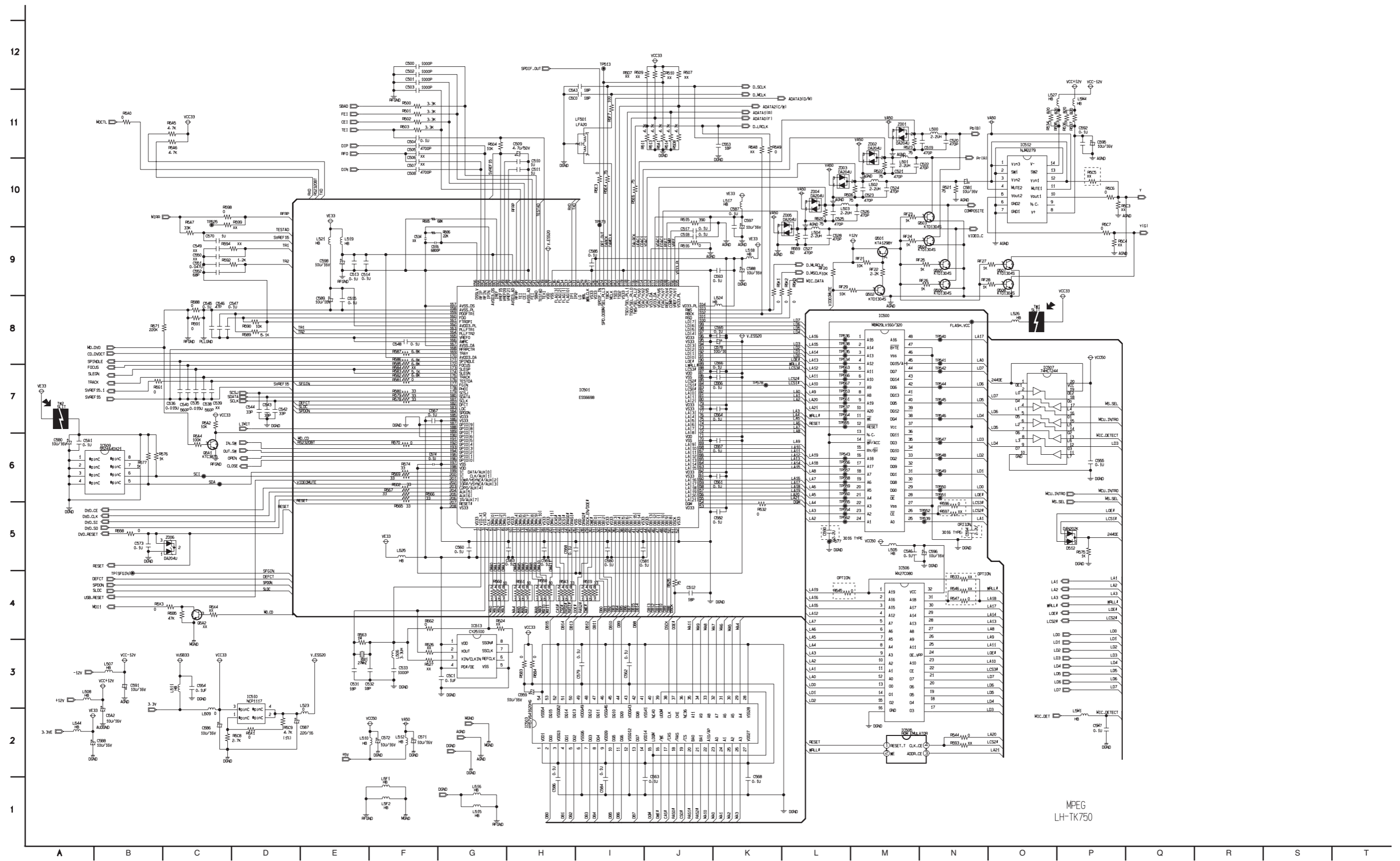


7. MAIN MIC SCHEMATIC DIAGRAM

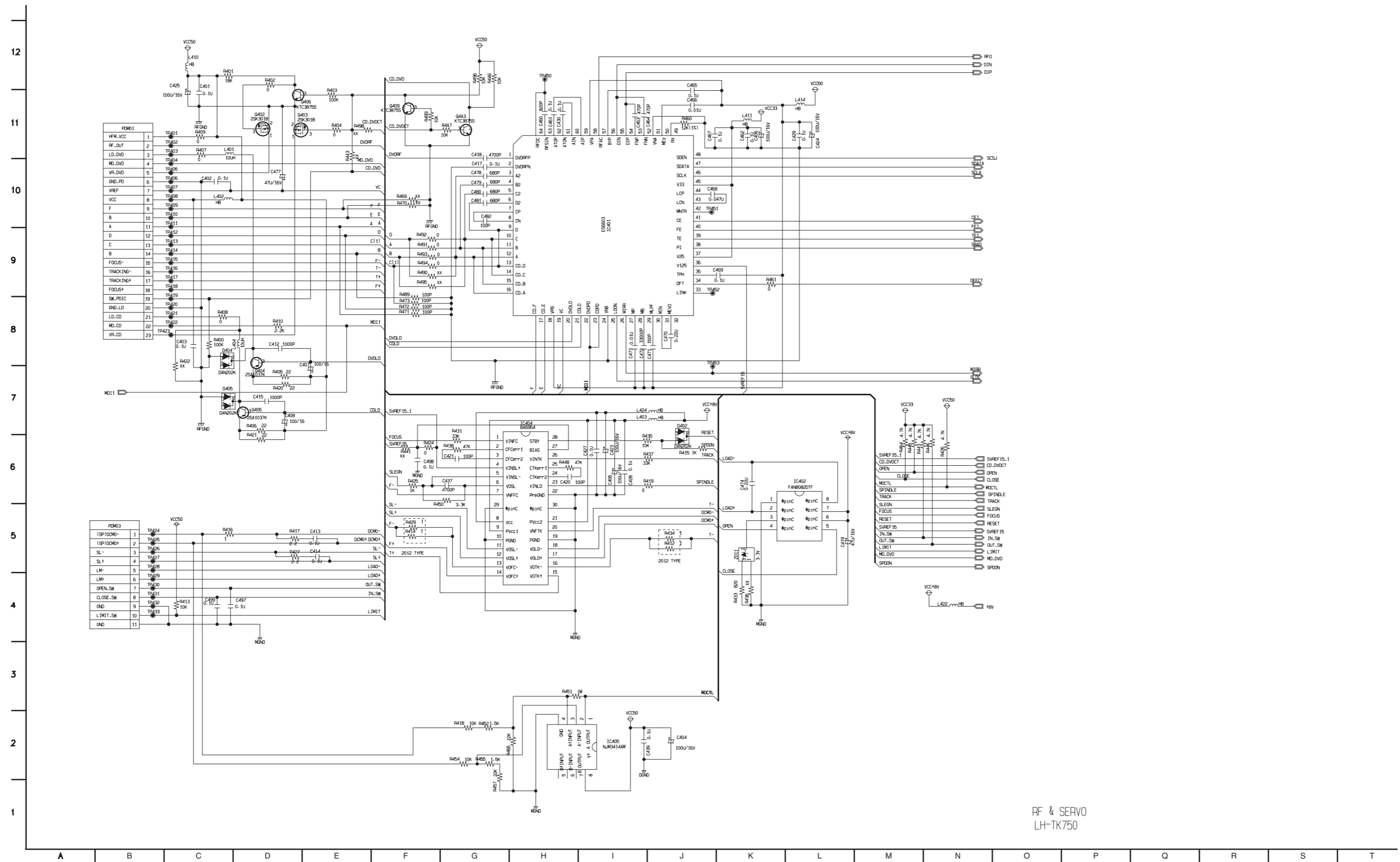


DVD PART SCHEMATIC DIAGRAMS

1. DVD MPEG & DSP SCHEMATIC DIAGRAM

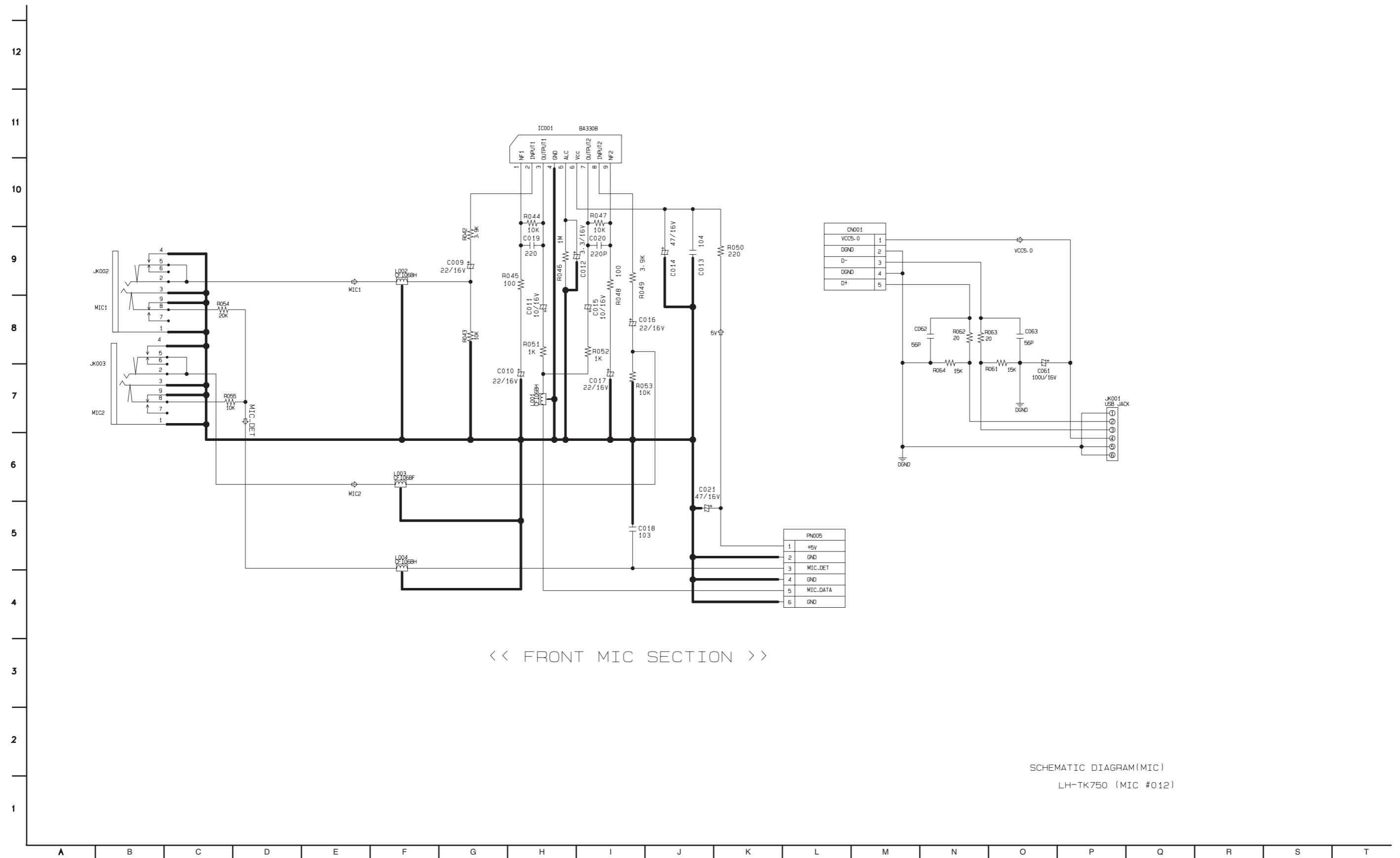


2. RF & SERVO SCHEMATIC DIAGRAM



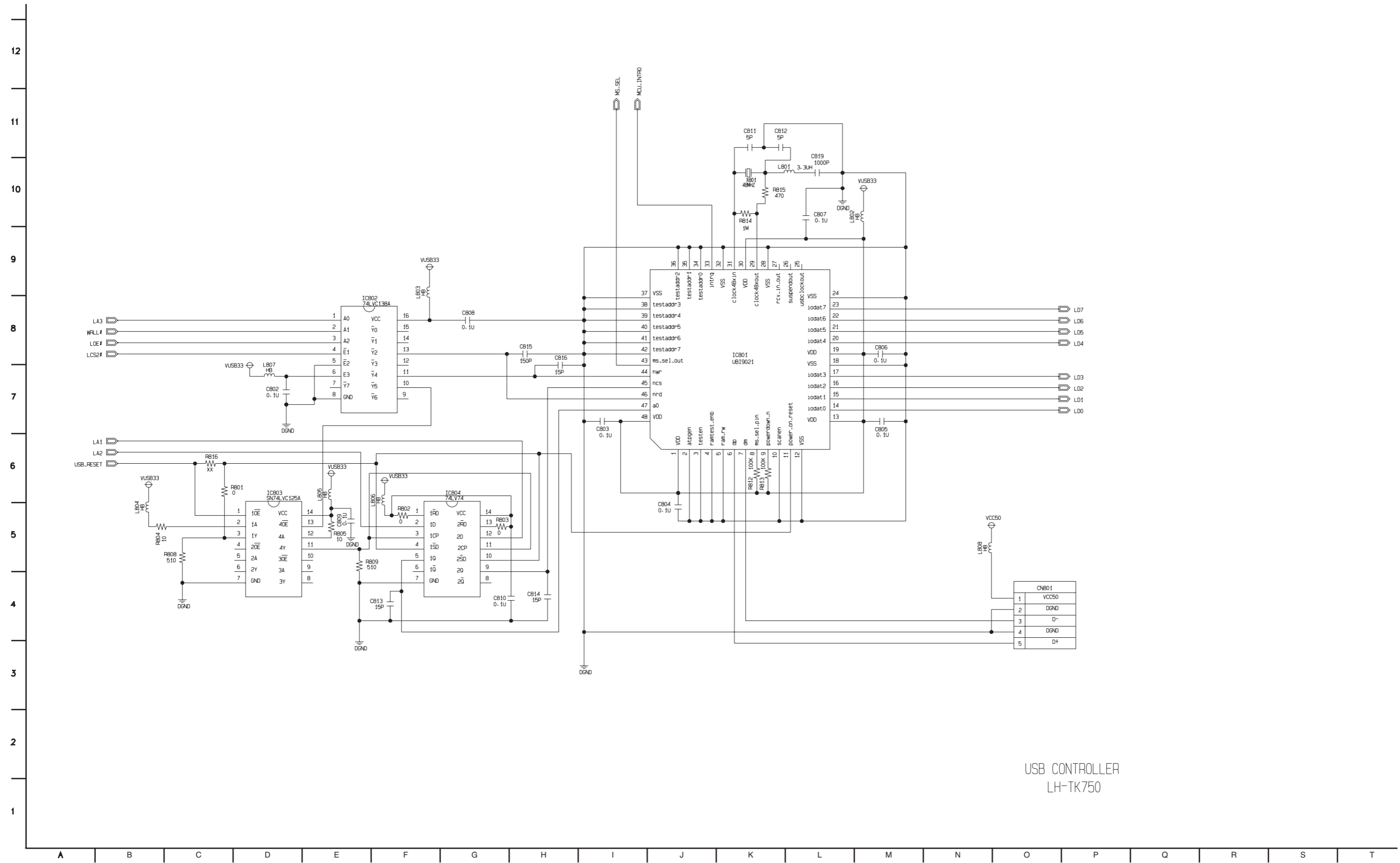
RF & SERVO
LH-TK750

3. FRONT KARAOKE SCHEMATIC DIAGRAM



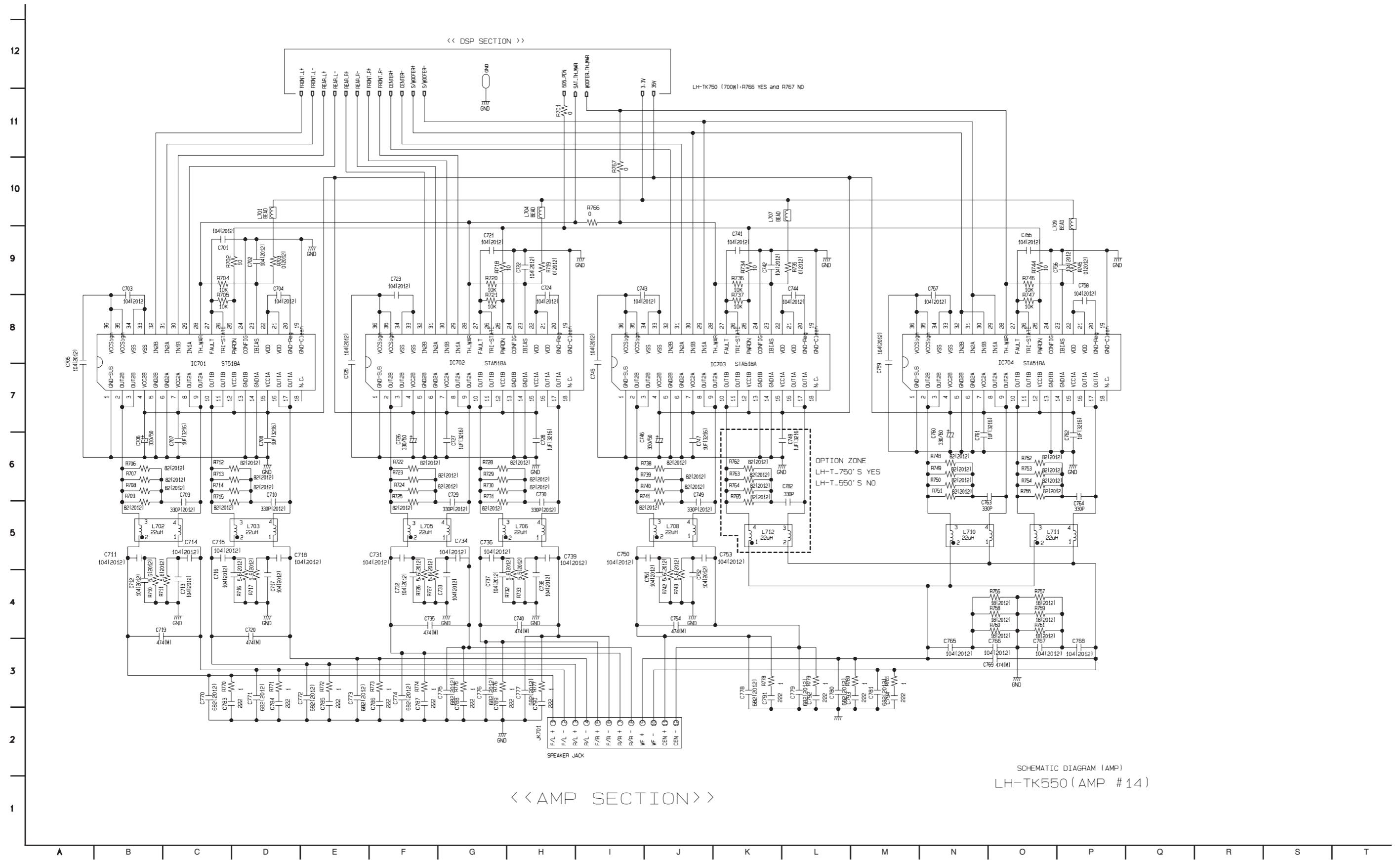
SCHEMATIC DIAGRAM(MIC)
LH-TK750 (MIC #012)

4. USB CONTROLLER SCHEMATIC DIAGRAM



USB CONTROLLER
LH-TK750

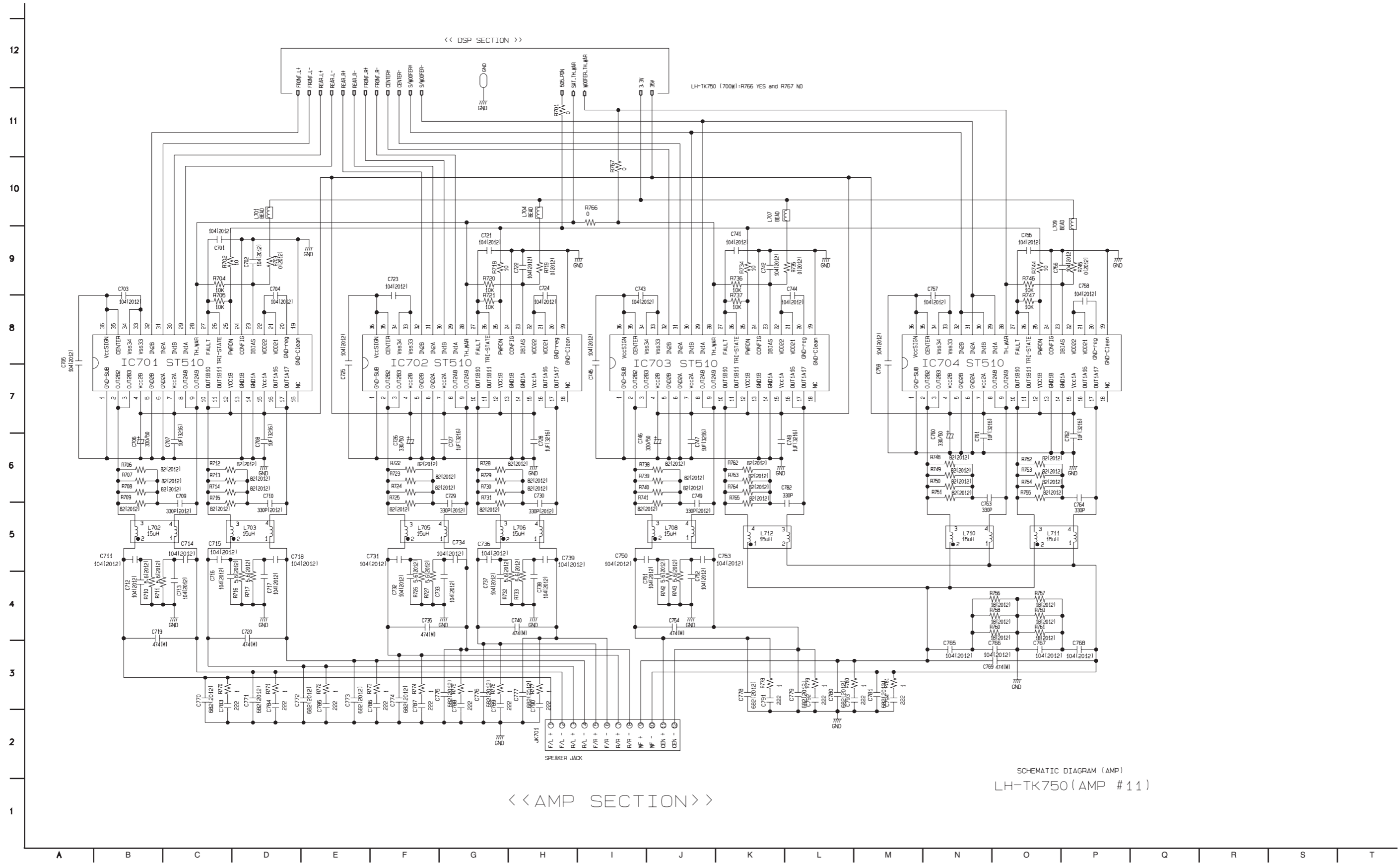
5. AMP SCHEMATIC DIAGRAM (5TOOL)



SCHEMATIC DIAGRAM (AMP)
LH-TK550 (AMP # 14)

<< AMP SECTION >>

6. AMP SCHEMATIC DIAGRAM (7TOOL)



<< AMP SECTION >>

SCHEMATIC DIAGRAM (AMP)
LH-TK750 (AMP # 11)