



P/NO : AFN31220002

AUGUST, 2006

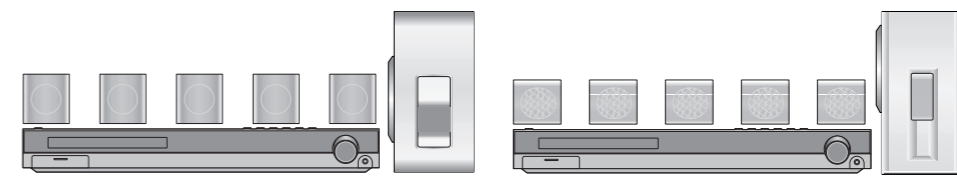
LG Electronics Inc.

MODELS : LH-T2645(X)/LH-TK2645(X)/LH-T2665(X)/LH-TK2665(X)/LH-T2660(X)/LH-TK2660(X)

SERVICE MANUAL



DVD/CD RECEIVER SERVICE MANUAL



LH-T2645(X)/LH-TK2645(X)
LH-T2665(X)/LH-TK2665(X)

LH-T2660(X)/LH-TK2660(X)

**MODELS : LH-T2645(X)/LH-TK2645(X)/LHS-26SGS/26SGW
LH-T2665(X)/LH-TK2665(X)/LHS-26SQS/26SQW
LH-T2660(X)/LH-TK2660(X)/LHS-26SHS/26SHW**

[CONTENTS]

SECTION 1. GENERAL

- SERVICING PRECAUTIONS 1-2
- ESD PRECAUTIONS 1-4
- SERVICE INFORMATION FOR EEPROM 1-5
- SPECIFICATIONS1-6

SECTION 2. AUDIO PART

- AUDIO TROUBLESHOOTING GUIDE 2-1
- WIRING DIAGRAM 2-4
- BLOCK DIAGRAM 2-6
- CIRCUIT DIAGRAMS 2-8
- PRINTED CIRCUIT DIAGRAMS 2-28

SECTION 3. DVD & AMP PART

- ELECTRICAL TROUBLESHOOTING GUIDE3-1
- DVD & AMP CIRCUIT DIAGRAMS3-22
- PRINTED CIRCUIT DIAGRAMS 3-28

SECTION 4. EXPLODED VIEWS4-1

SECTION 5. SPEAKER PART5-1

SECTION 6. REPLACEMENT PARTS LIST6-1

SECTION 1. GENERAL

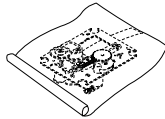
SERVICING PRECAUTIONS

NOTES REGARDING HANDLING OF THE PICK-UP

1. Notes for transport and storage

- 1) The pick-up should always be left in its conductive bag until immediately prior to use.
- 2) The pick-up should never be subjected to external pressure or impact.

Storage in conductive bag



Drop impact

2. Repair notes

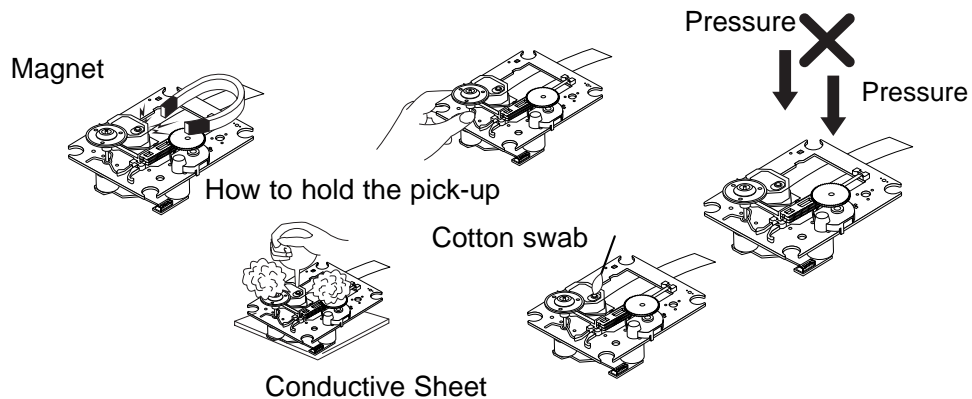
- 1) The pick-up incorporates a strong magnet, and so should never be brought close to magnetic materials.
- 2) The pick-up should always be handled correctly and carefully, taking care to avoid external pressure and impact. If it is subjected to strong pressure or impact, the result may be an operational malfunction and/or damage to the printed-circuit board.
- 3) Each and every pick-up is already individually adjusted to a high degree of precision, and for that reason the adjustment point and installation screws should absolutely never be touched.
- 4) Laser beams may damage the eyes!
Absolutely never permit laser beams to enter the eyes!
Also NEVER switch ON the power to the laser output part (lens, etc.) of the pick-up if it is damaged.



NEVER look directly at the laser beam, and don't let contact fingers or other exposed skin.

5) Cleaning the lens surface

If there is dust on the lens surface, the dust should be cleaned away by using an air bush (such as used for camera lens). The lens is held by a delicate spring. When cleaning the lens surface, therefore, a cotton swab should be used, taking care not to distort this.



6) Never attempt to disassemble the pick-up.

Spring by excess pressure. If the lens is extremely dirty, apply isopropyl alcohol to the cotton swab. (Do not use any other liquid cleaners, because they will damage the lens.) Take care not to use too much of this alcohol on the swab, and do not allow the alcohol to get inside the pick-up.

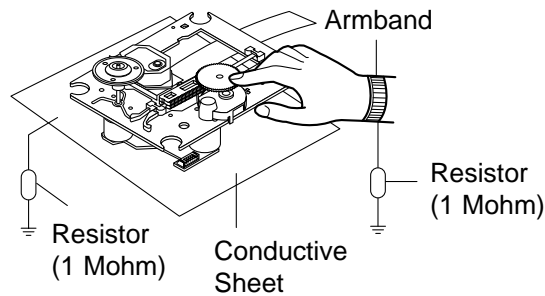
NOTES REGARDING COMPACT DISC PLAYER REPAIRS

1. Preparations

- 1) Compact disc players incorporate a great many ICs as well as the pick-up (laser diode). These components are sensitive to, and easily affected by, static electricity. If such static electricity is high voltage, components can be damaged, and for that reason components should be handled with care.
- 2) The pick-up is composed of many optical components and other high-precision components. Care must be taken, therefore, to avoid repair or storage where the temperature or humidity is high, where strong magnetism is present, or where there is excessive dust.

2. Notes for repair

- 1) Before replacing a component part, first disconnect the power supply lead wire from the unit
- 2) All equipment, measuring instruments and tools must be grounded.
- 3) The workbench should be covered with a conductive sheet and grounded.
When removing the laser pick-up from its conductive bag, do not place the pick-up on the bag. (This is because there is the possibility of damage by static electricity.)
- 4) To prevent AC leakage, the metal part of the soldering iron should be grounded.
- 5) Workers should be grounded by an armband (1M Ω)
- 6) Care should be taken not to permit the laser pick-up to come in contact with clothing, in order to prevent static electricity changes in the clothing to escape from the armband.
- 7) The laser beam from the pick-up should NEVER be directly facing the eyes or bare skin.



ESD PRECAUTIONS

Electrostatically Sensitive Devices (ESD)



Some semiconductor (solid state) devices can be damaged easily by static electricity. Such components commonly are called Electrostatically Sensitive Devices (ESD). Examples of typical ESD devices are integrated circuits and some field-effect transistors and semiconductor chip components. The following techniques should be used to help reduce the incidence of component damage caused by static electricity.

1. Immediately before handling any semiconductor component or semiconductor-equipped assembly, drain off any electrostatic charge on your body by touching a known earth ground. Alternatively, obtain and wear a commercially available discharging wrist strap device, which should be removed for potential shock reasons prior to applying power to the unit under test.
2. After removing an electrical assembly equipped with ESD devices, place the assembly on a conductive surface such as aluminum foil, to prevent electrostatic charge buildup or exposure of the assembly.
3. Use only a grounded-tip soldering iron to solder or unsolder ESD devices.
4. Use only an anti-static solder removal device. Some solder removal devices not classified as "anti-static" can generate electrical charges sufficient to damage ESD devices.
5. Do not use freon-propelled chemicals. These can generate electrical charges sufficient to damage ESD devices.
6. Do not remove a replacement ESD device from its protective package until immediately before you are ready to install it. (Most replacement ESD devices are packaged with leads electrically shorted together by conductive foam, aluminum foil or comparable conductive materials).
7. Immediately before removing the protective material from the leads of a replacement ESD device, touch the protective material to the chassis or circuit assembly into which the device will be installed.

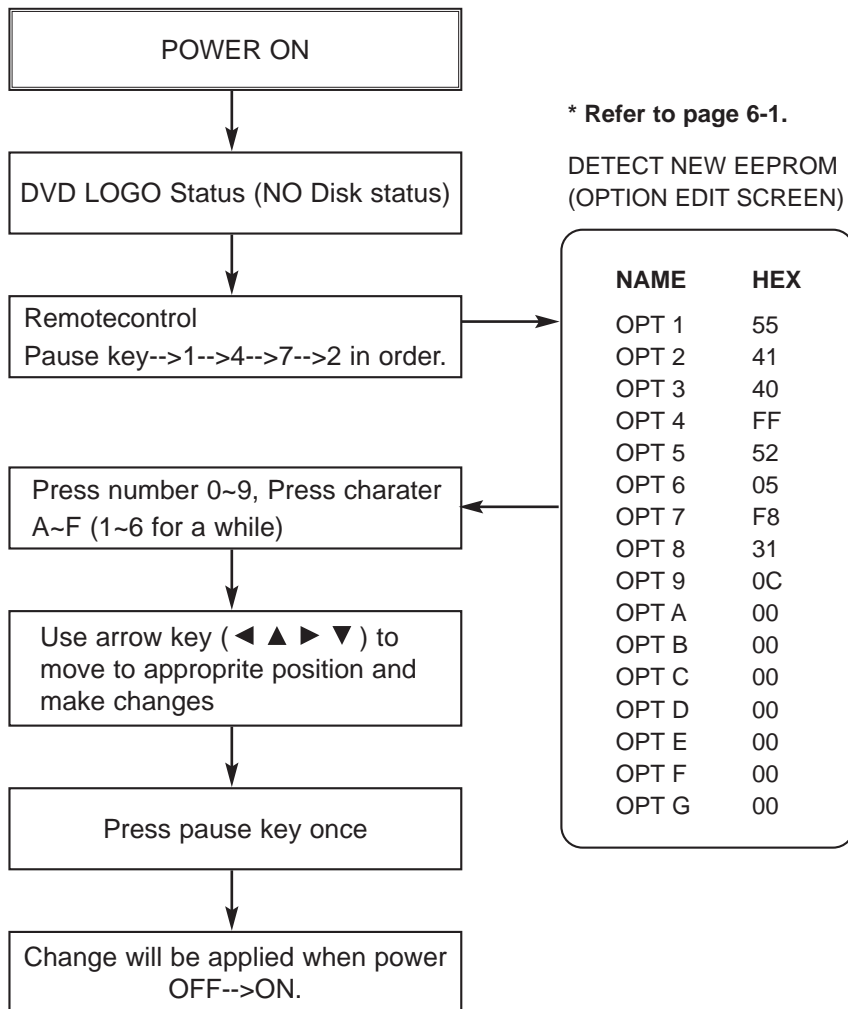
CAUTION : BE SURE NO POWER IS APPLIED TO THE CHASSIS OR CIRCUIT, AND OBSERVE ALL OTHER SAFETY PRECAUTIONS.

8. Minimize bodily motions when handling unpackaged replacement ESD devices. (Otherwise harmless motion such as the brushing together of your clothes fabric or the lifting of your foot from a carpeted floor can generate static electricity sufficient to damage an ESD device).

CAUTION. GRAPHIC SYMBOLS

	THE LIGHTNING FLASH WITH APOWHEAD SYMBOL. WITHIN AN EQUILATERAL TRIANGLE, IS INTENDED TO ALERT THE SERVICE PERSONNEL TO THE PRESENCE OF UNINSULATED "DANGEROUS VOLTAGE" THAT MAY BE OF SUFFICIENT MAGNITUDE TO CONSTITUTE A RISK OF ELECTRIC SHOCK.
	THE EXCLAMATION POINT WITHIN AN EQUILATERAL TRIANGLE IS INTENDED TO ALERT THE SERVICE PERSONNEL TO THE PRESENCE OF IMPORTANT SAFETY INFORMATION IN SERVICE LITERATURE.

SERVICE INFORMATION FOR EEPROM



*** OPTION**

- NTSC model doesn't have VCR option and use DVD option B~F as VCR option. (only DVD exist)
- PAL model has another separate VCR option. (Both VCR and DVD exist)

SPECIFICATIONS

GENERAL

Power supply	Refer to main label
Power consumption	Refer to main label
Net Weight	3.9 kg
External dimensions (W x H x D)	430 x 57 x 295 mm
Operating conditions	Temperature: 5°C to 35°C, Operation status: Horizontal
Operating humidity	5% to 85%

CD/DVD

Laser	Semiconductor laser, wavelength 650 nm
Signal system	PAL 625/50, NTSC 525/60
Frequency response (audio)	150 Hz to 18 kHz
Signal-to-noise ratio (audio)	More than 75 dB (1 kHz, NOP -6 dB, 20 kHz LPF/A-Filter)
Dynamic range (audio)	More than 70 dB
Harmonic distortion (audio)	0.5 % (1 kHz, at 1W position) (20 kHz LPF)

VIDEO

Video input	1.0 V (p-p), 75 Ω , negative sync., RCA jack x 1
Video output	1.0 V (p-p), 75 Ω , negative sync., RCA jack x 1/ SCART (TO TV)

TUNER

FM

Tuning Range	87.5 - 108.0 MHz or 65.0 - 74.0 MHz, 87.5 - 108.0 MHz
Intermediate Frequency	10.7 MHz
Signal-to Noise Ratio	60 dB (Mono)
Frequency Response	140 - 8,000 Hz

AM [MW]

Tuning Range	522 - 1,620 kHz or 520 - 1,720 kHz
Intermediate Frequency	450 kHz

AMPLIFIER(LH-T26's)

Stereo mode	Front: 30 W + 30 W (THD 10 %)
(* Depending on the sound mode settings and the source, there may be no sound output.)	Centre*: 30 W
	Surround*: 30 W + 30 W (6 Ω at 1 kHz, THD 10 %)
	Subwoofer*: 70 W (8 Ω at 30 Hz, THD 10 %)
Input	AUX IN, MIC
Outputs	MONITOR, PHONES: (32 Ω , 1.0 V)

SPEAKERS(LHS-26SG)

	Satellite Speaker	Passive Subwoofer
Type	1 Way 1 Speaker	1 Way 1 Speaker
Impedance	6 Ω	8 Ω
Frequency Response	130 - 20,000 Hz	50 - 1,500 Hz
Sound Pressure Level	83 dB/W (1m)	82 dB/W (1m)
Rated Input Power	30W	70W
Max. Input Power	60W	140W
Net Dimensions	88 x 100 x 95 mm	160 x 350 x 325 mm
Net Weight	0.54 kg	4.12 kg

SPEAKERS(LHS-26SH)

Type	Satellite Speaker 1 Way 1Speakers	Passive Subwoofer 1 Way 1Speaker
Impedance	6 Ω	8 Ω
Frequency Response	130 - 20,000 Hz	50 - 1,500 Hz
Sound Pressure Level	130 - 20,000 Hz	50 - 1,500 Hz
Rated Input Power	30W	70W
Max Input Power	60W	140W
Net Dimensions	88 x 100 x 95 mm	160 x 350 x 325 mm
Net Weight	0.54 kg	4.12 kg

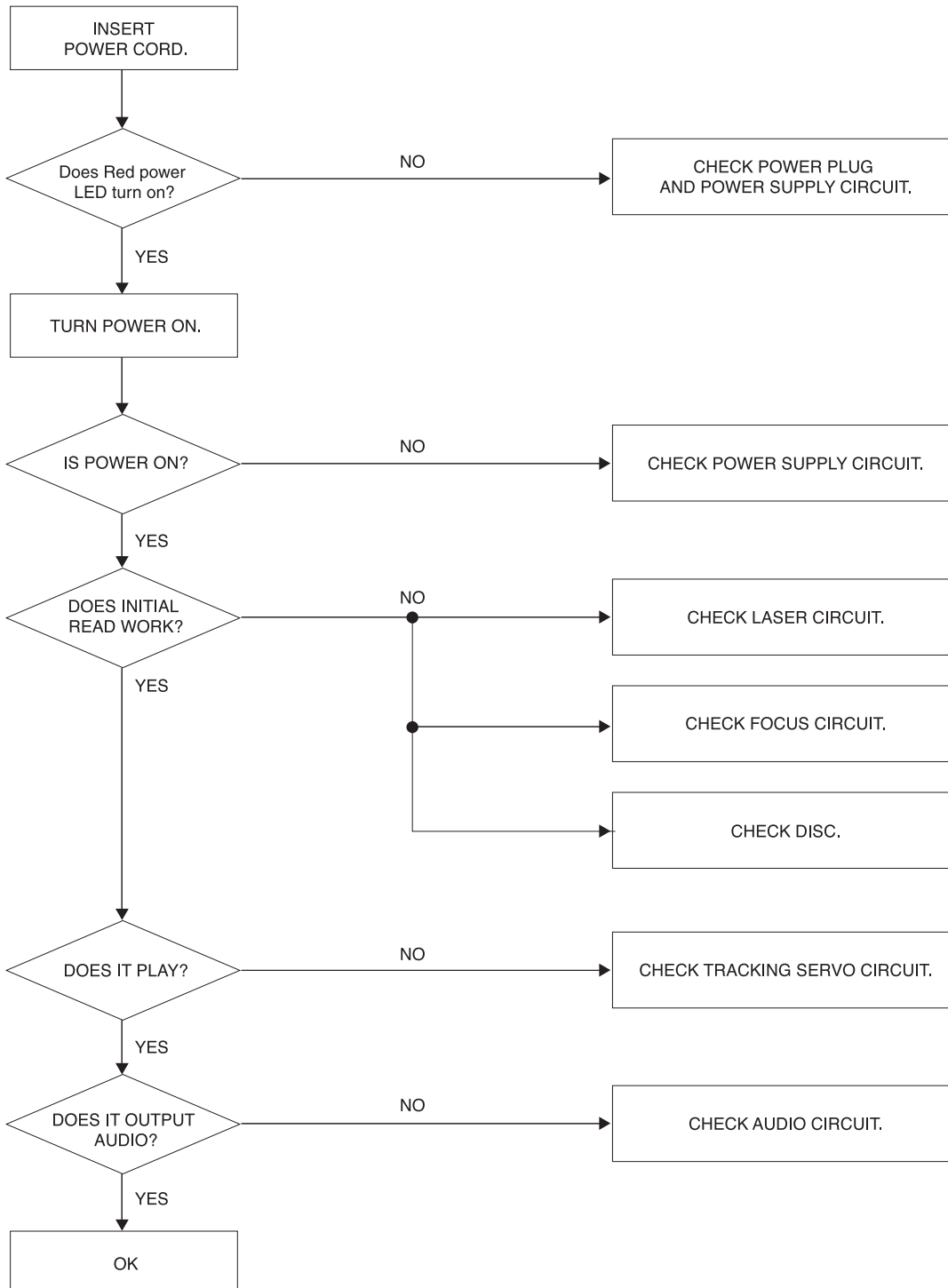
SPEAKERS(LHS-26SQ)

Type	Satellite Speaker 1 Way 1 Speaker	Passive Subwoofer 1 Way 1 Speaker
Impedance	6 Ω	8 Ω
Frequency Response	130 - 20,000 Hz	50 - 1,500 Hz
Sound Pressure Level	83 dB/W (1m)	82 dB/W (1m)
Rated Input Power	30W	70W
Max. Input Power	60W	140W
Net Dimensions	88 x 100 x 95 mm	160 x 350 x 325 mm
Net Weight	0.54 kg	4.12 kg

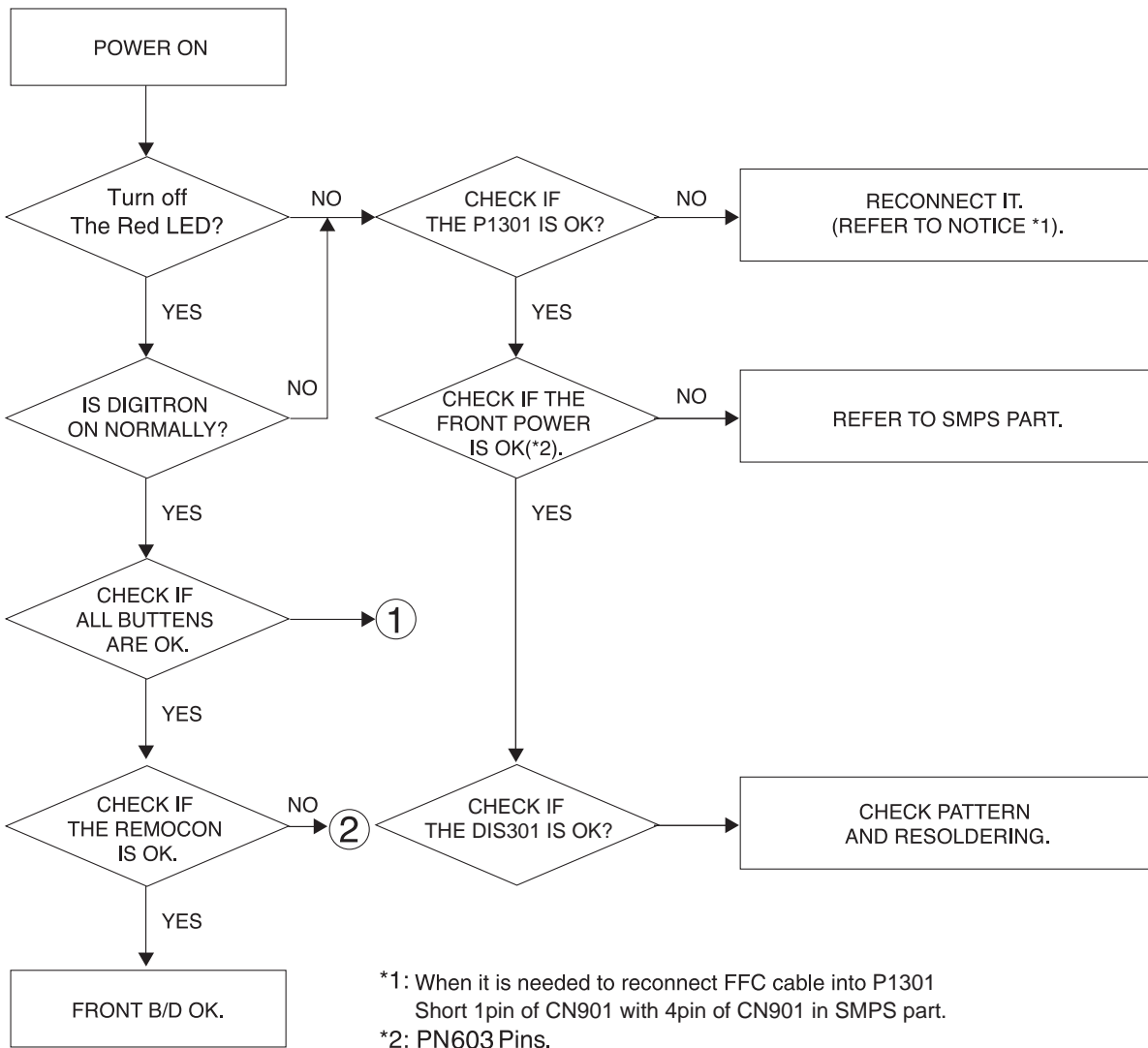
SECTION 2. AUDIO PART

AUDIO TROUBLESHOOTING GUIDE

1. POWER SUPPLY CIRCUIT



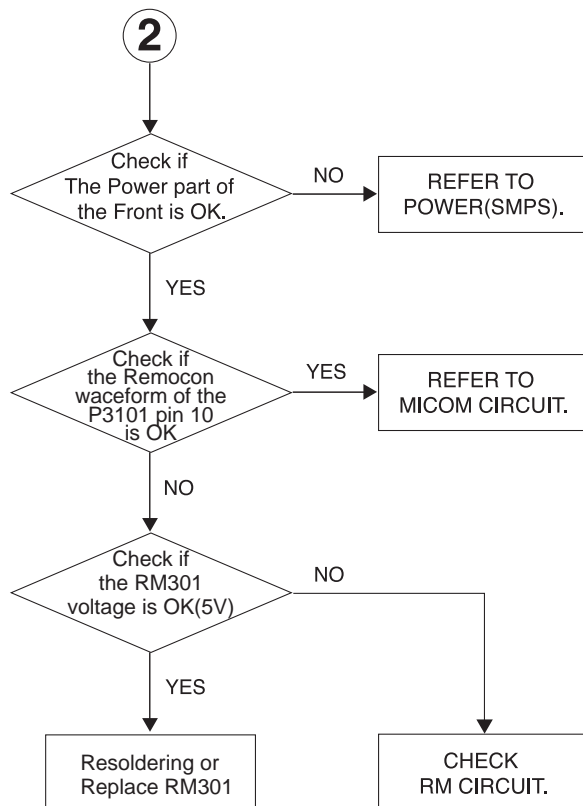
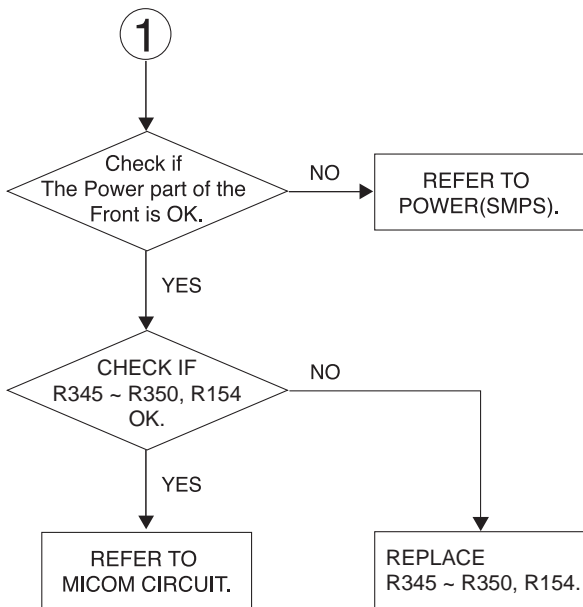
2. FRONT CIRCUIT (1/2)



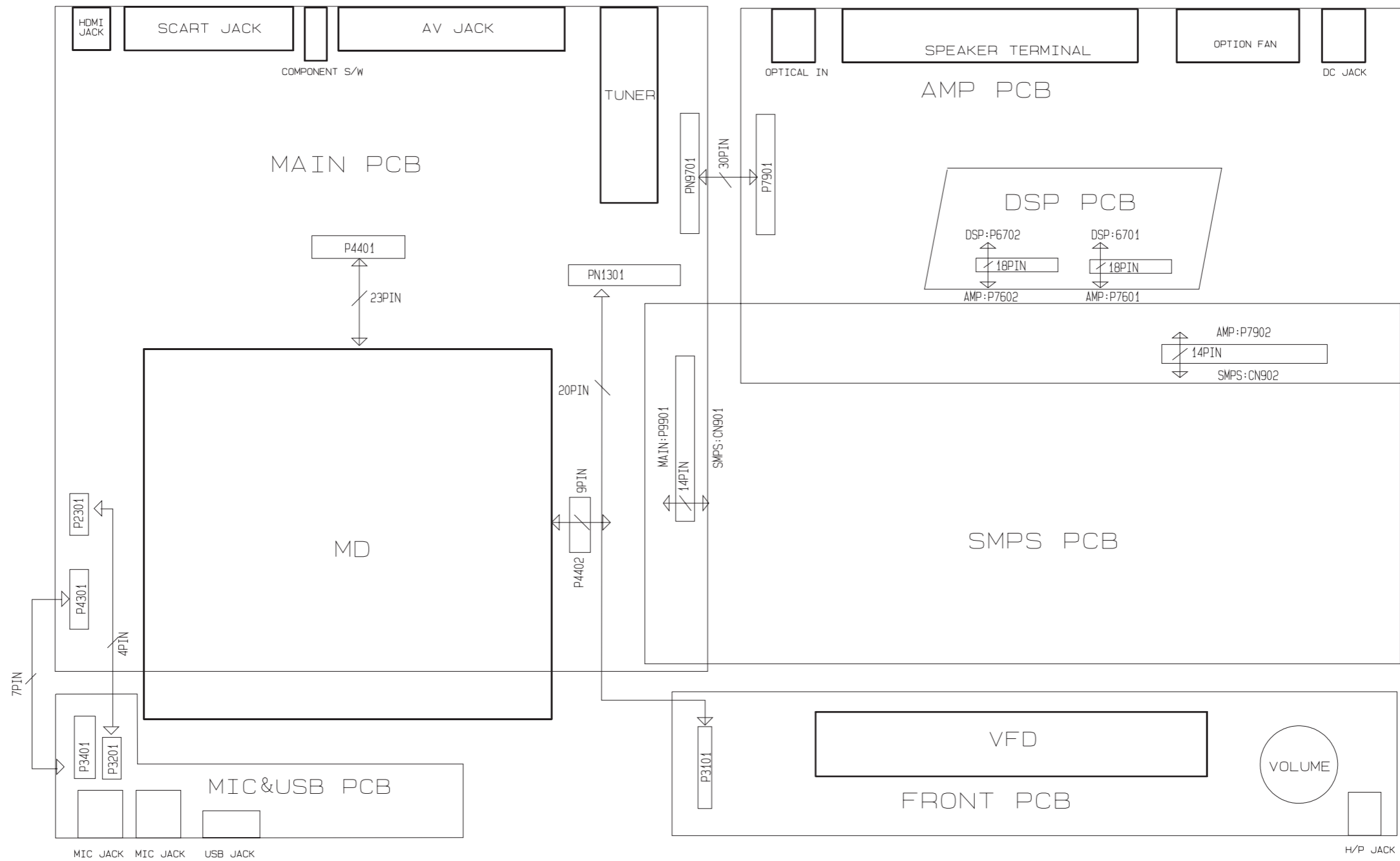
*1: When it is needed to reconnect FFC cable into P1301
Short 1pin of CN901 with 4pin of CN901 in SMPS part.

*2: PN603 Pins.
PIN1 : -41 VKK
PIN2 : -22 FL+
PIN3 : -26.5 FL-
PIN12 : +5.0

3. FRONT CIRCUIT (2/2)



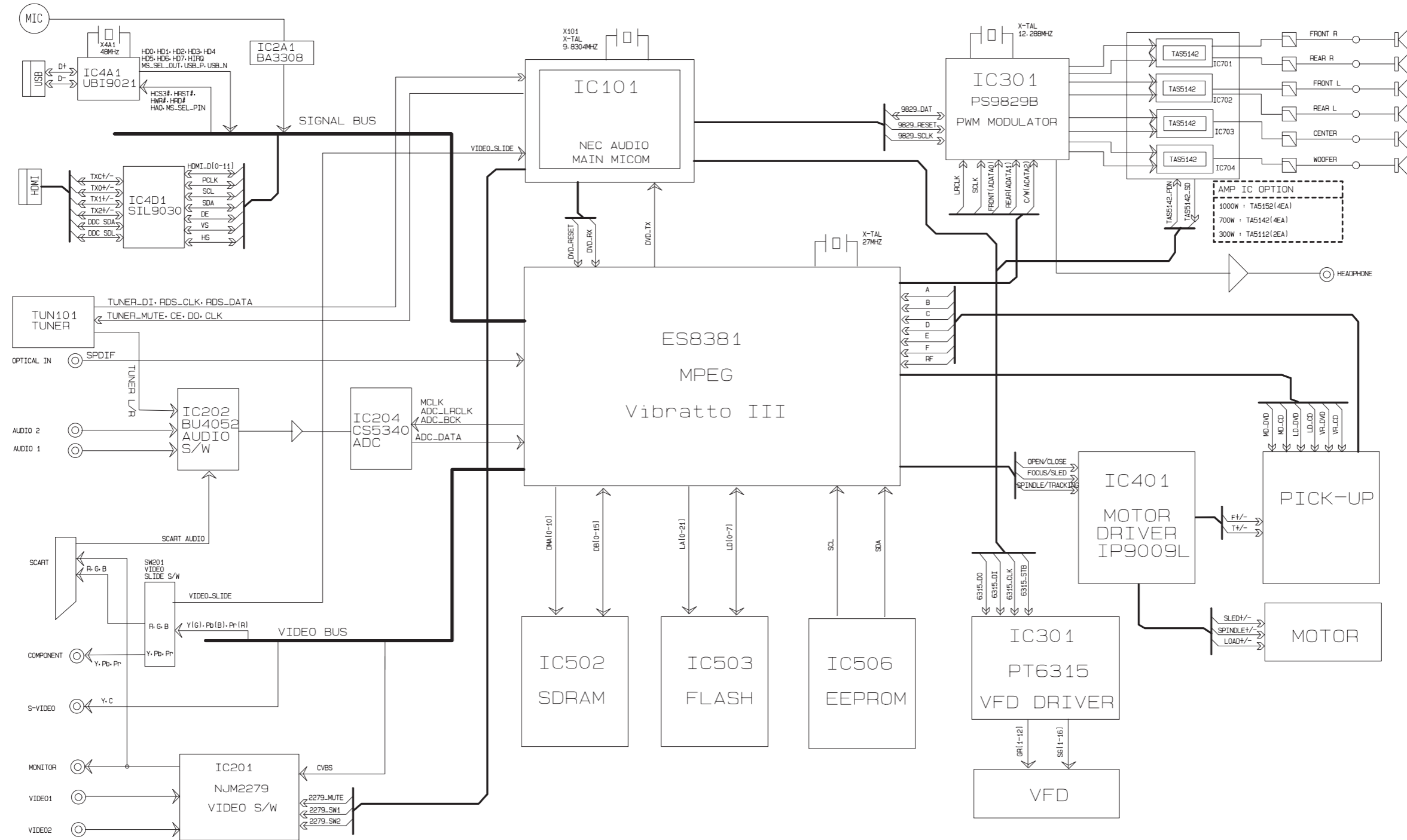
WIRING DIAGRAM



EMATIC DIAGRAM (WIRING DIAGRAM)

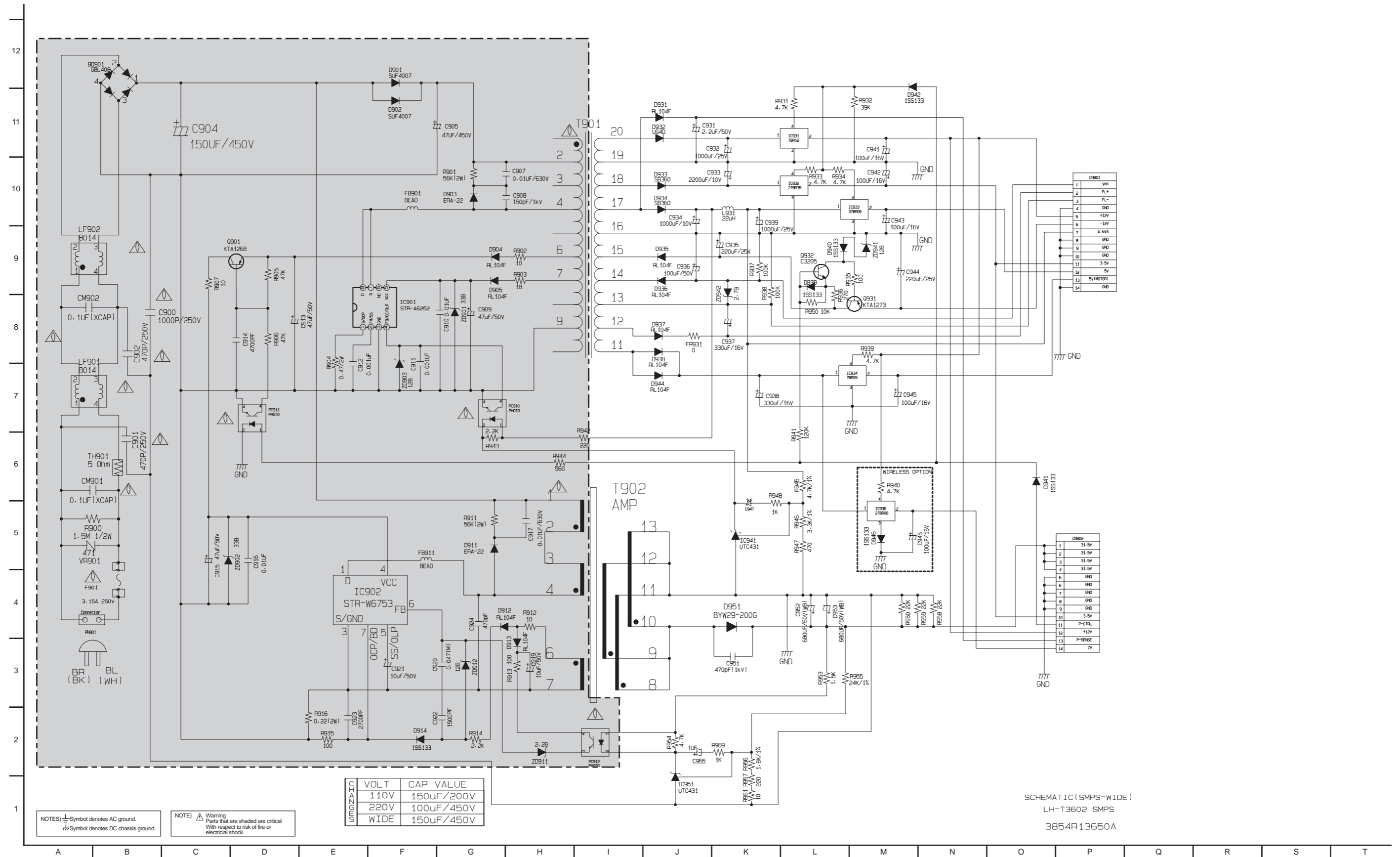
LH-T9655

BLOCK DIAGRAM



CIRCUIT DIAGRAMS

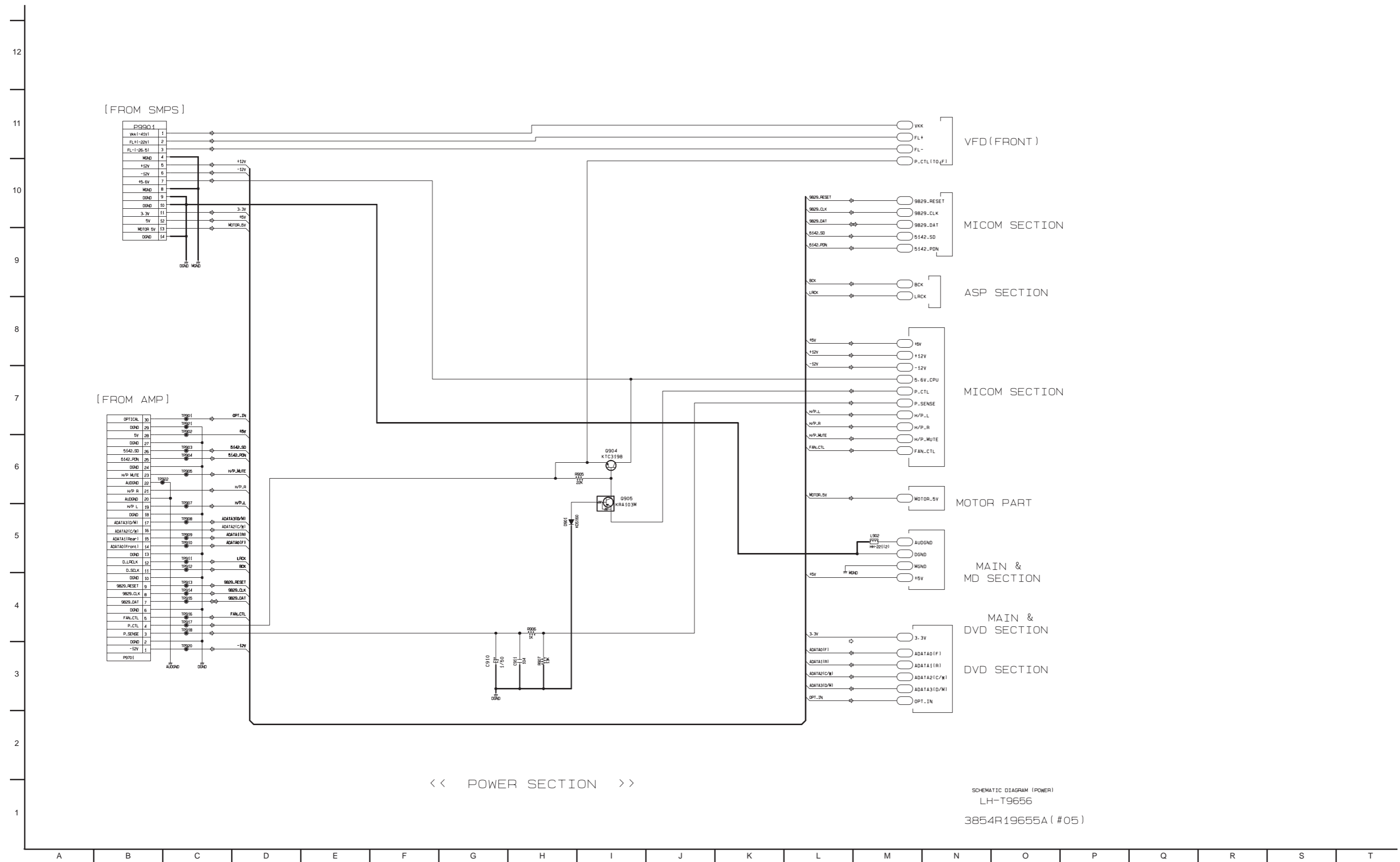
1. SMPS(POWER) CIRCUIT DIAGRAM



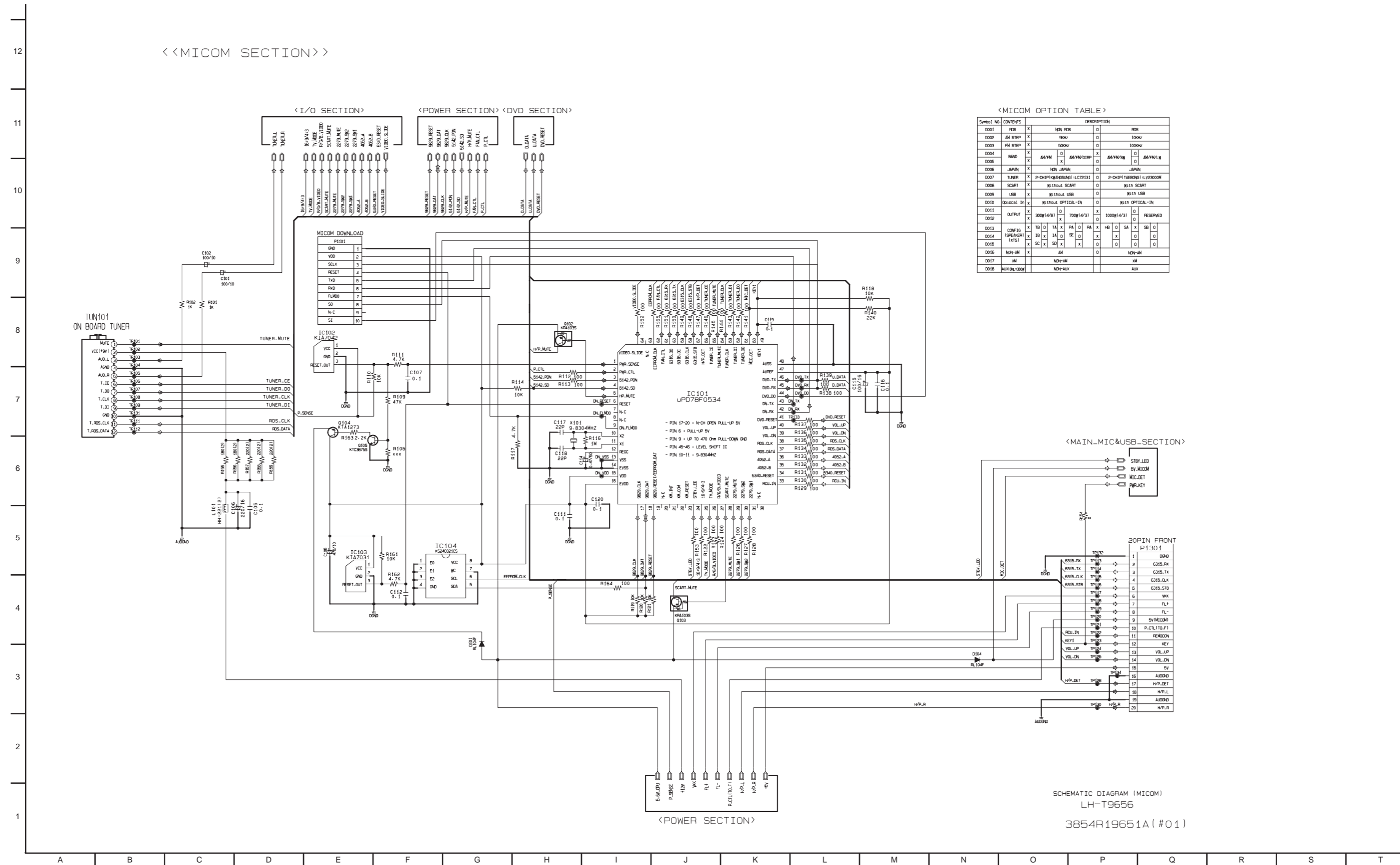
WIDE	VOLT	CAP VALUE
	110V	150µF/200V
	220V	100µF/450V
	WIDE	150µF/450V

NOTES) Symbol denotes AC ground.
 Symbol denotes DC chassis ground.
 NOTE) Warning Parts that are shaded are critical With respect to risk of fire or electrical shock.

2. POWER INTERFACE CIRCUIT DIAGRAM



3. μ-COM(MAIN) CIRCUIT DIAGRAM



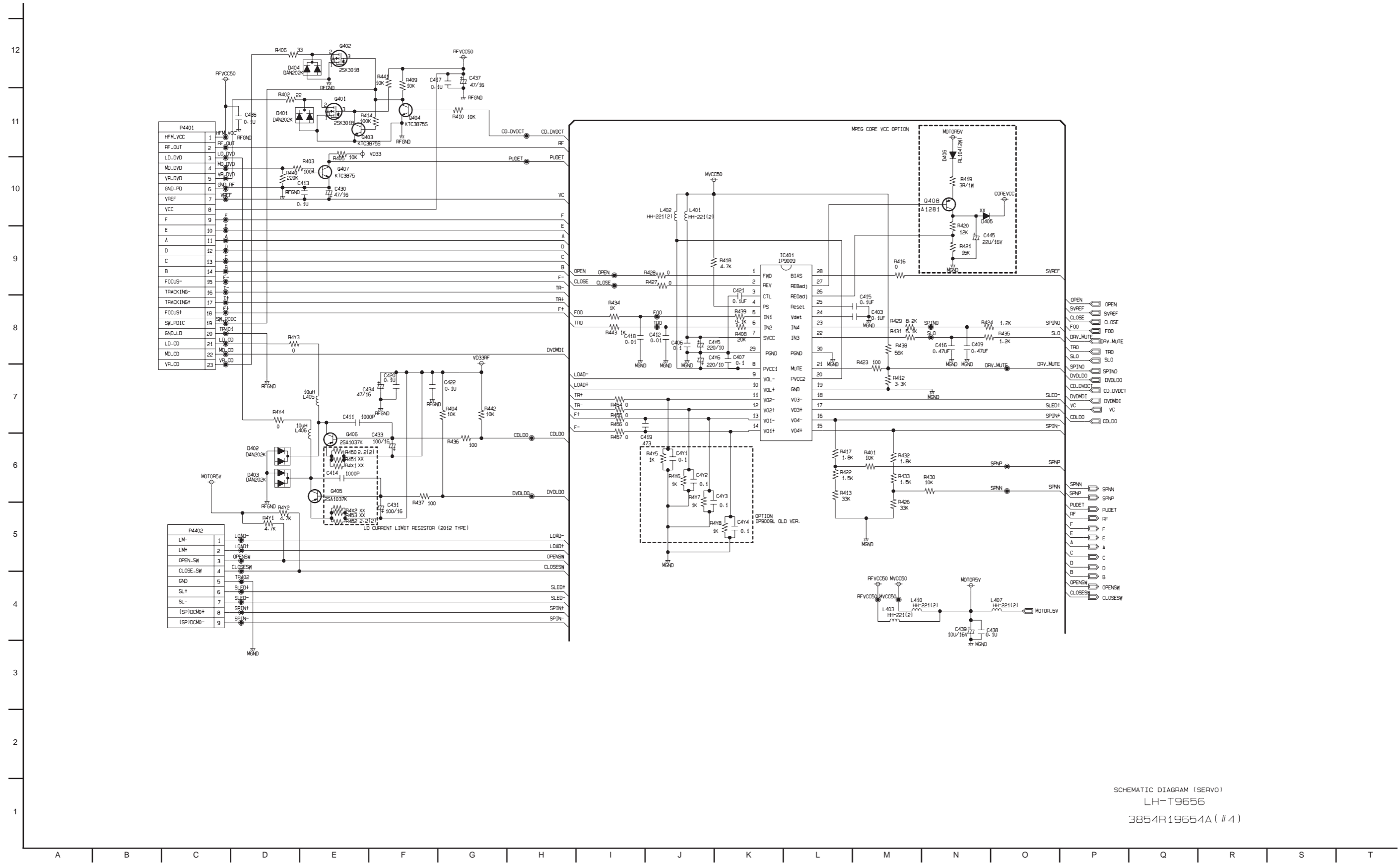
< MICOM OPTION TABLE >

SymNo1 No.	CONTENTS	DESCRIPTION
0001	RES	NON-RES
0002	AM STEP	50kHz
0003	FM STEP	50kHz
0004	BAND	AM/FM
0005	JAPAN	NON-JAPAN
0006	TUNER	2-CHIP(TA8201) LC72131
0007	SCART	Without SCART
0008	USB	Without USB
0009	Optical In	Without OPTICAL-IN
0010	OUTPUT	300W(4/3)
0011	CONFID	TA X PA O RA X HB O SA X SB O
0012	CONFID	IB X IA O SE O X X O O O
0013	CONFID	SC X SD X X X O O O O
0014	INTS1	
0015	NON-AM	AM
0016	NON-AM	NON-AM
0017	AM	NON-AM
0018	AUX1/ROOM	NON-AUX

20PIN FRONT P1301

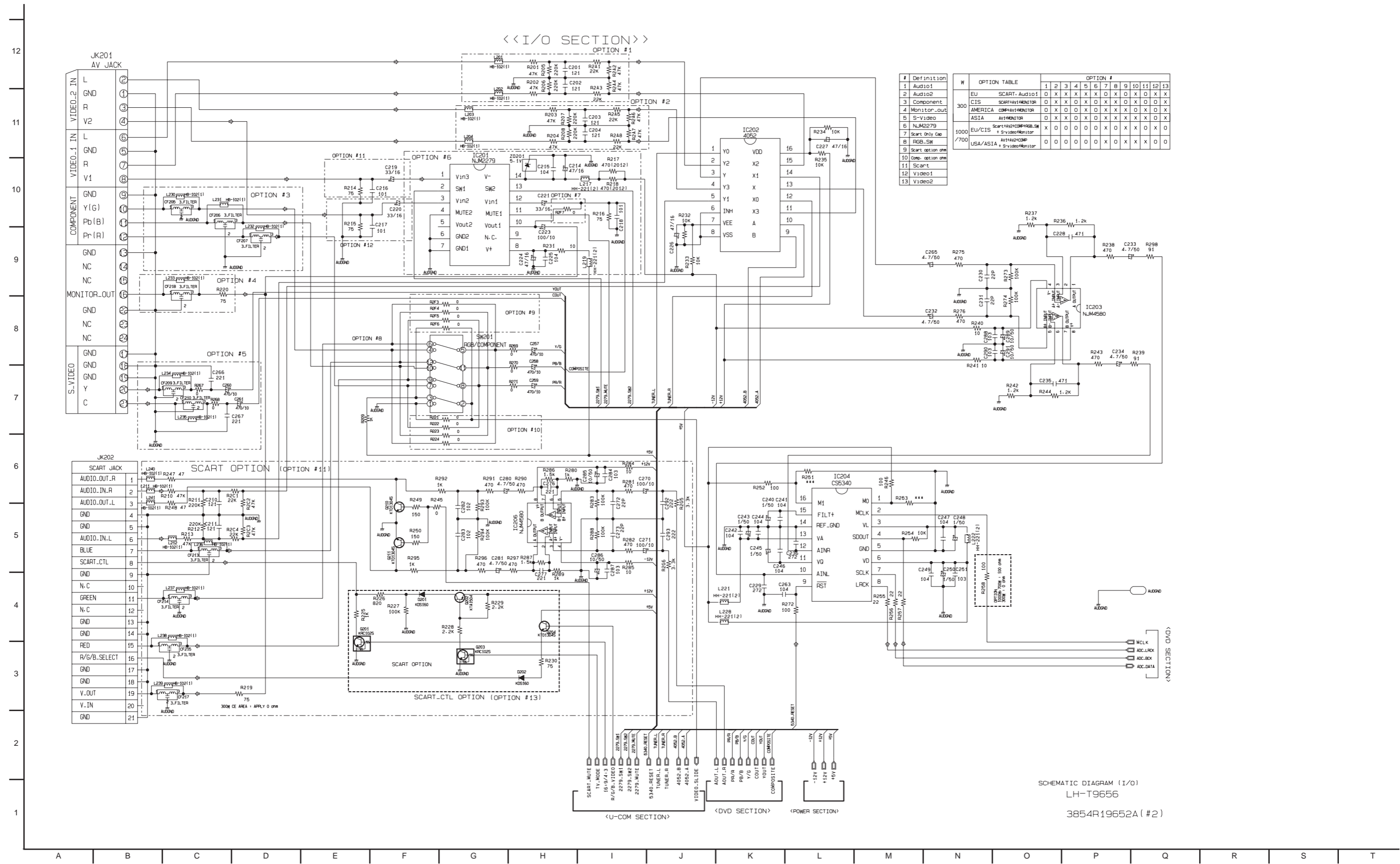
Pin No.	Signal
1	GNND
2	6315_RX
3	6315_TX
4	6315_CLK
5	6315_STB
6	VCC
7	FL+
8	FL-
9	5V(MICOM)
10	P.CTL(10.F1)
11	REMCON
12	KEY
13	VOL_UP
14	VOL_ON
15	5V
16	AUGND
17	H.P.DET
18	H.P.L
19	AUGND
20	H.P.R

4. SERVO CIRCUIT DIAGRAM

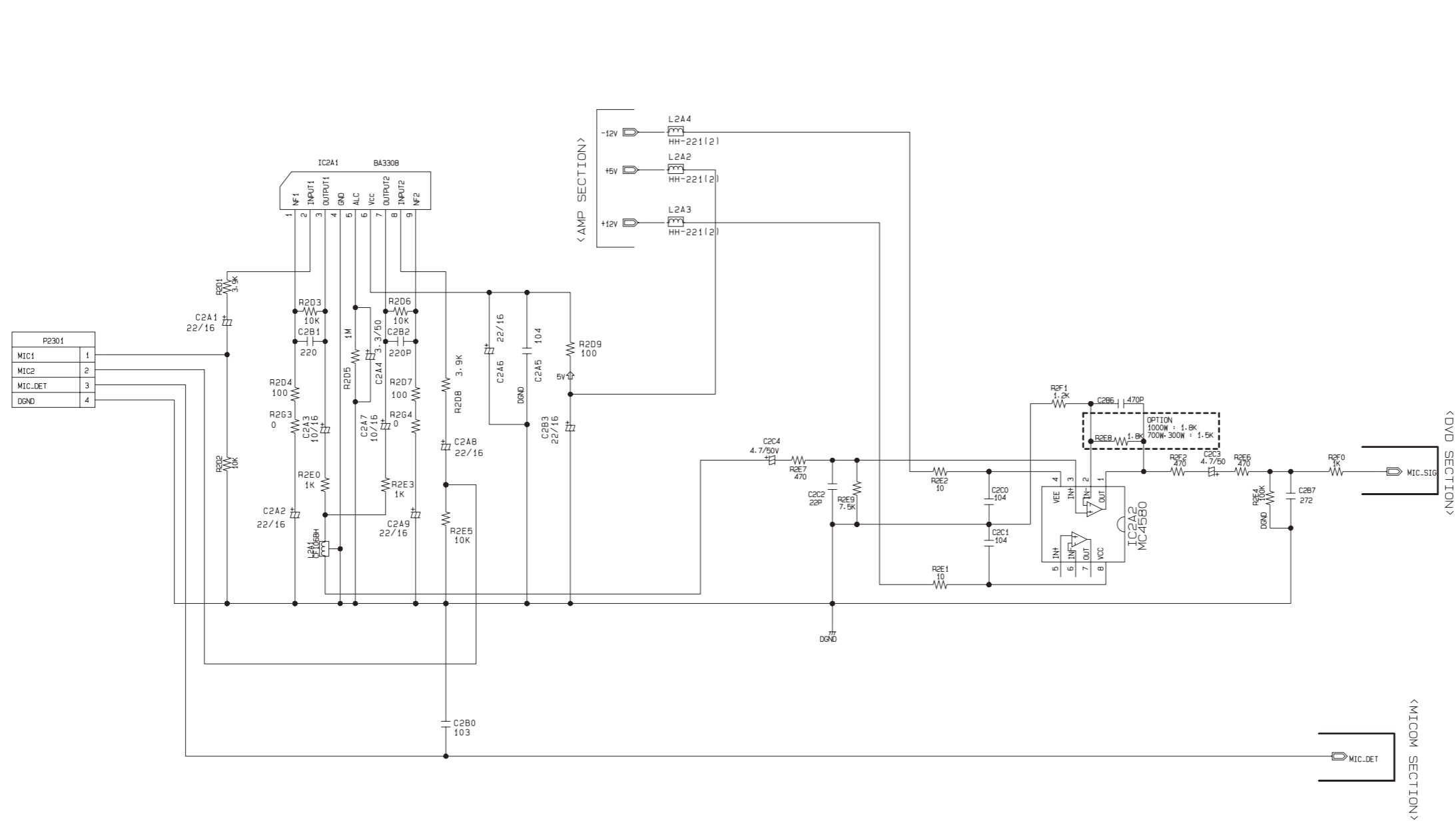


SCHEMATIC DIAGRAM (SERVO)
LH-T9656
3854R19654A (# 4)

5. I/O CIRCUIT DIAGRAM



6. MIC CIRCUIT DIAGRAM

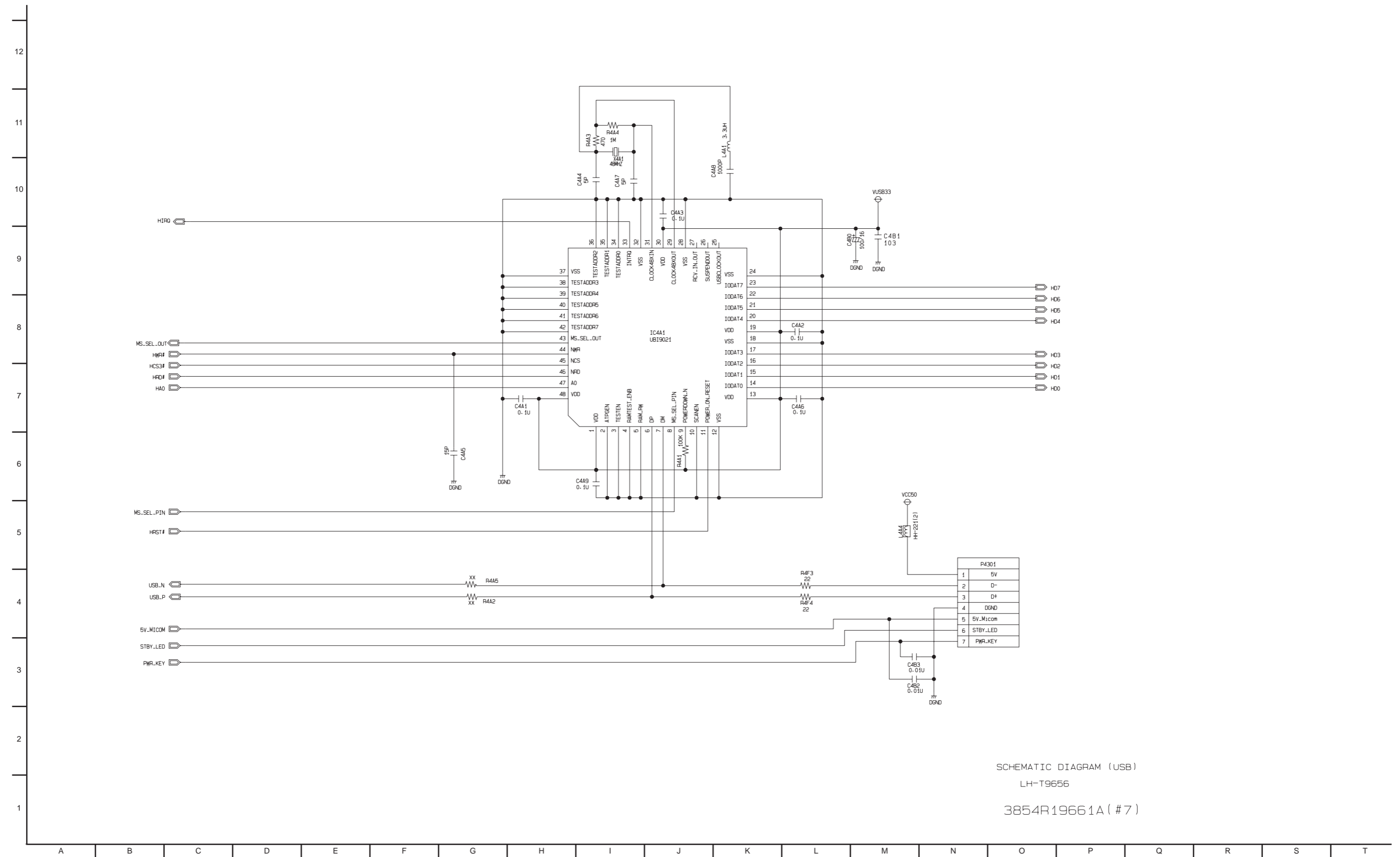


SCHEMATIC DIAGRAM (MIC)

LH-T9656

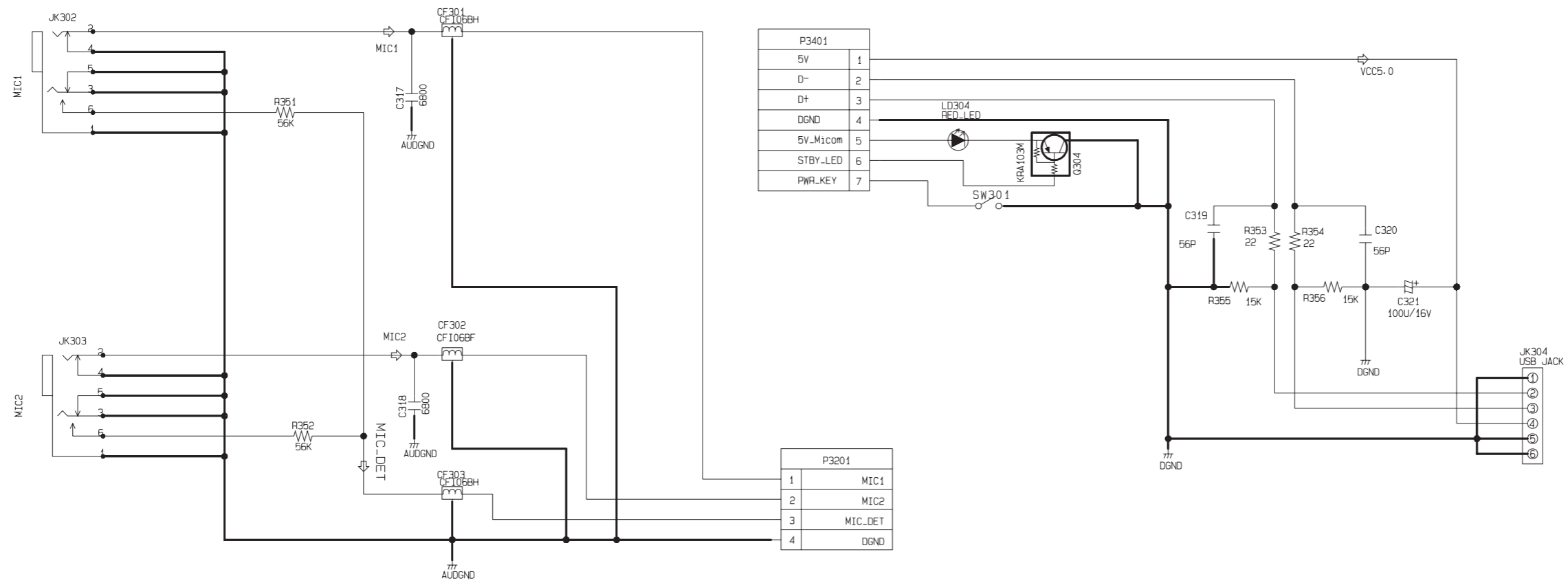
3854R19660A (#6)

7. USB CIRCUIT DIAGRAM



SCHEMATIC DIAGRAM (USB)
 LH-T9656
 3854R19661A (#7)

8. MIC & USB CIRCUIT DIAGRAM



P3401	
5V	1
D-	2
D+	3
DGND	4
5V_Micom	5
STBY_LED	6
PWR_KEY	7

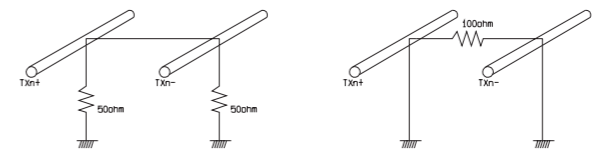
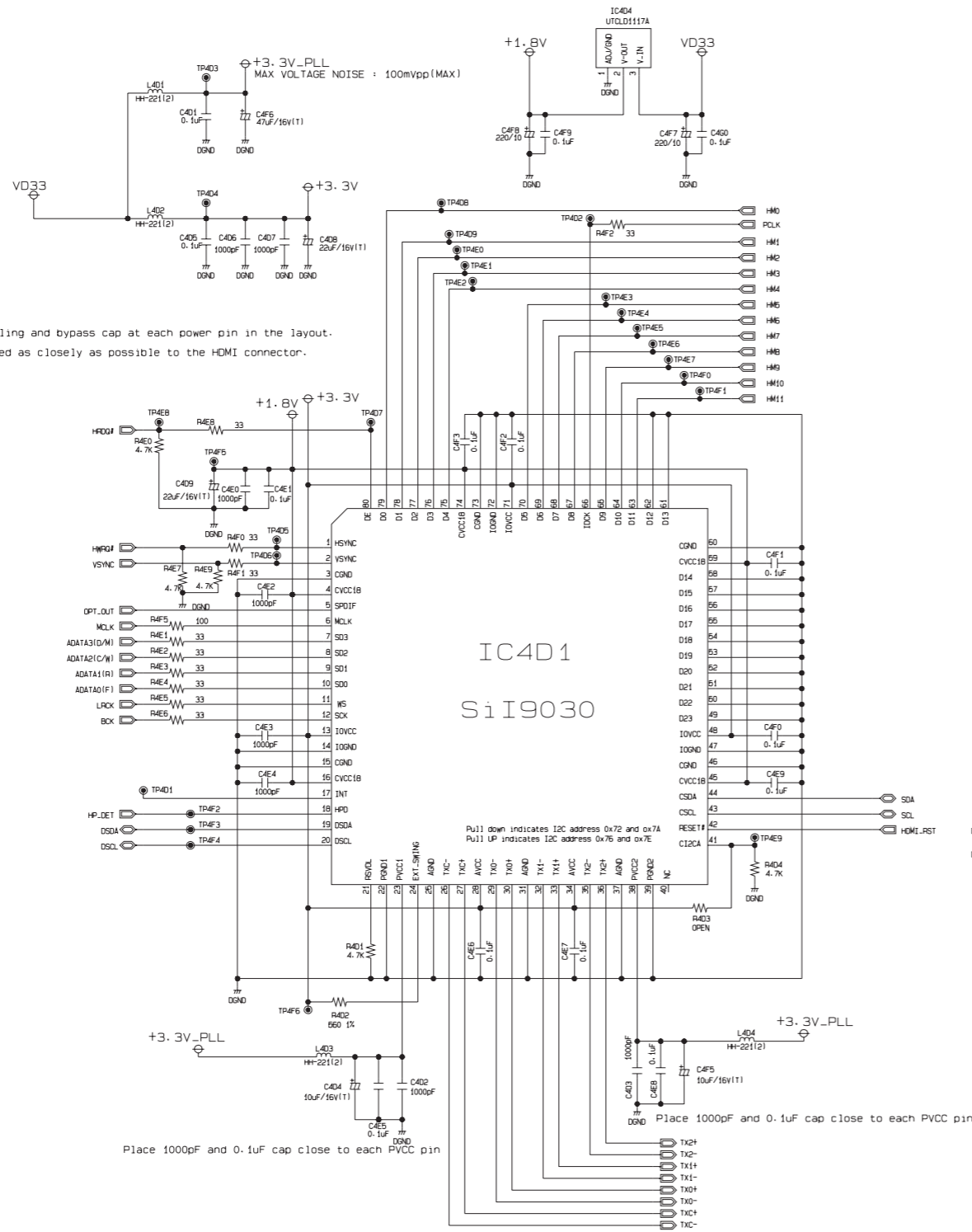
P3201	
1	MIC1
2	MIC2
3	MIC_DET
4	DGND

SCHMATIC DIAGRAM (MIC&USB)
LH-T9656

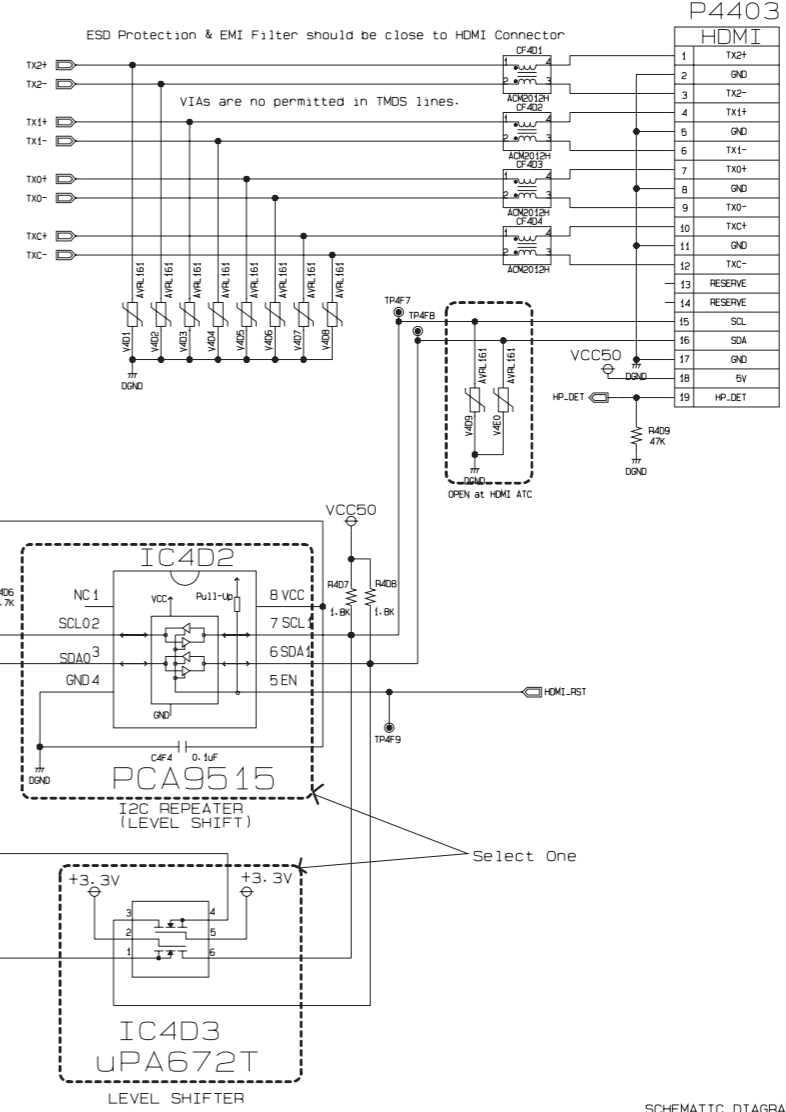
3854R19658A (#02)

9. HDMI CIRCUIT DIAGRAM(OPTIONAL PART)

Designers should include decoupling and bypass cap at each power pin in the layout.
Transmitter chip should be placed as closely as possible to the HDMI connector.

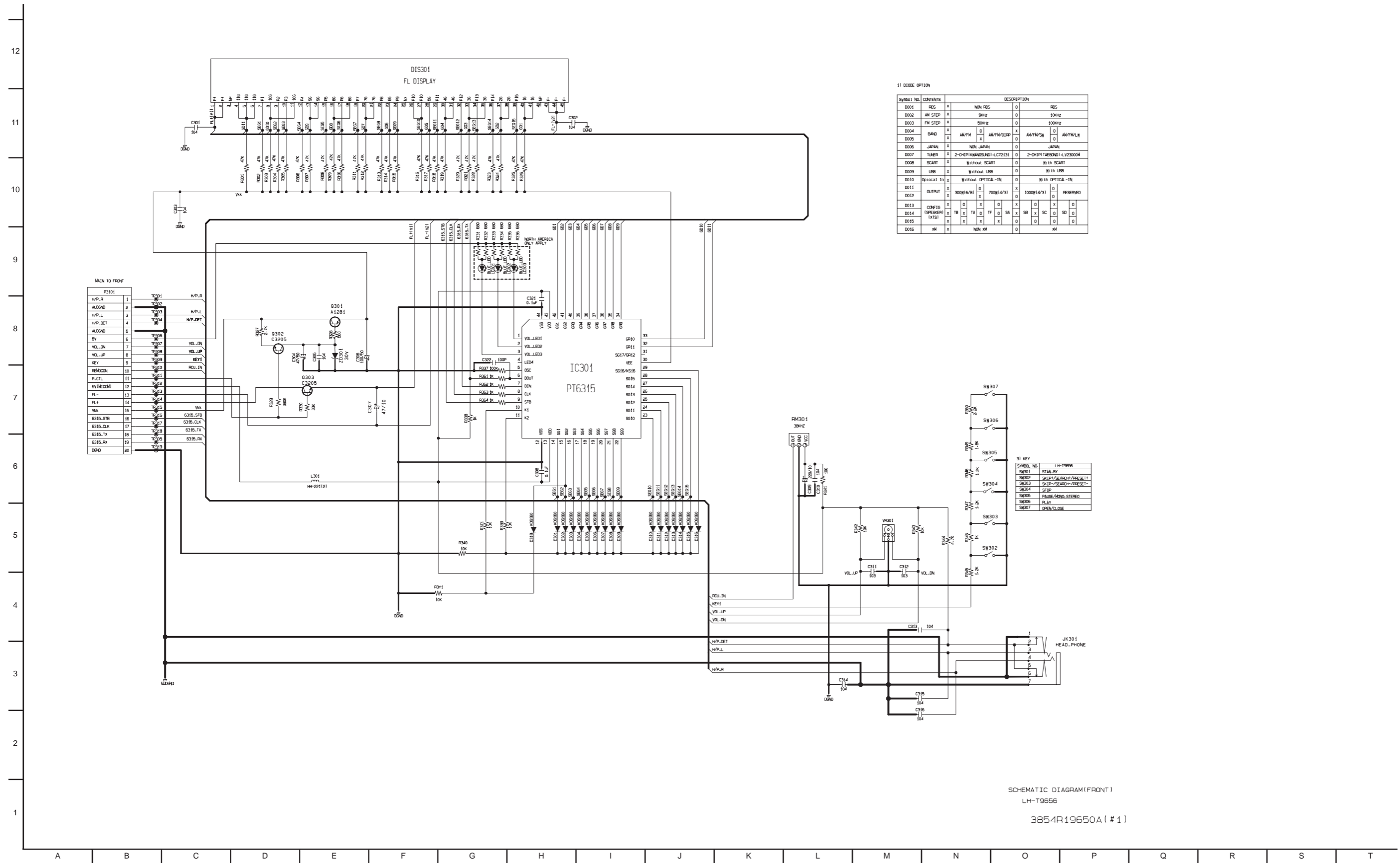


The impedance of between the each TMD5 line and ground must be 50-ohm.
Traces should have 100 ohm differential impedance for each differential pair.
The differential lines should be routed as directly as possible from transmitter to connector.



SCHEMATIC DIAGRAM (HDMI)
LH-T9656
3854R11607A (#8)

10. FRONT CIRCUIT DIAGRAM



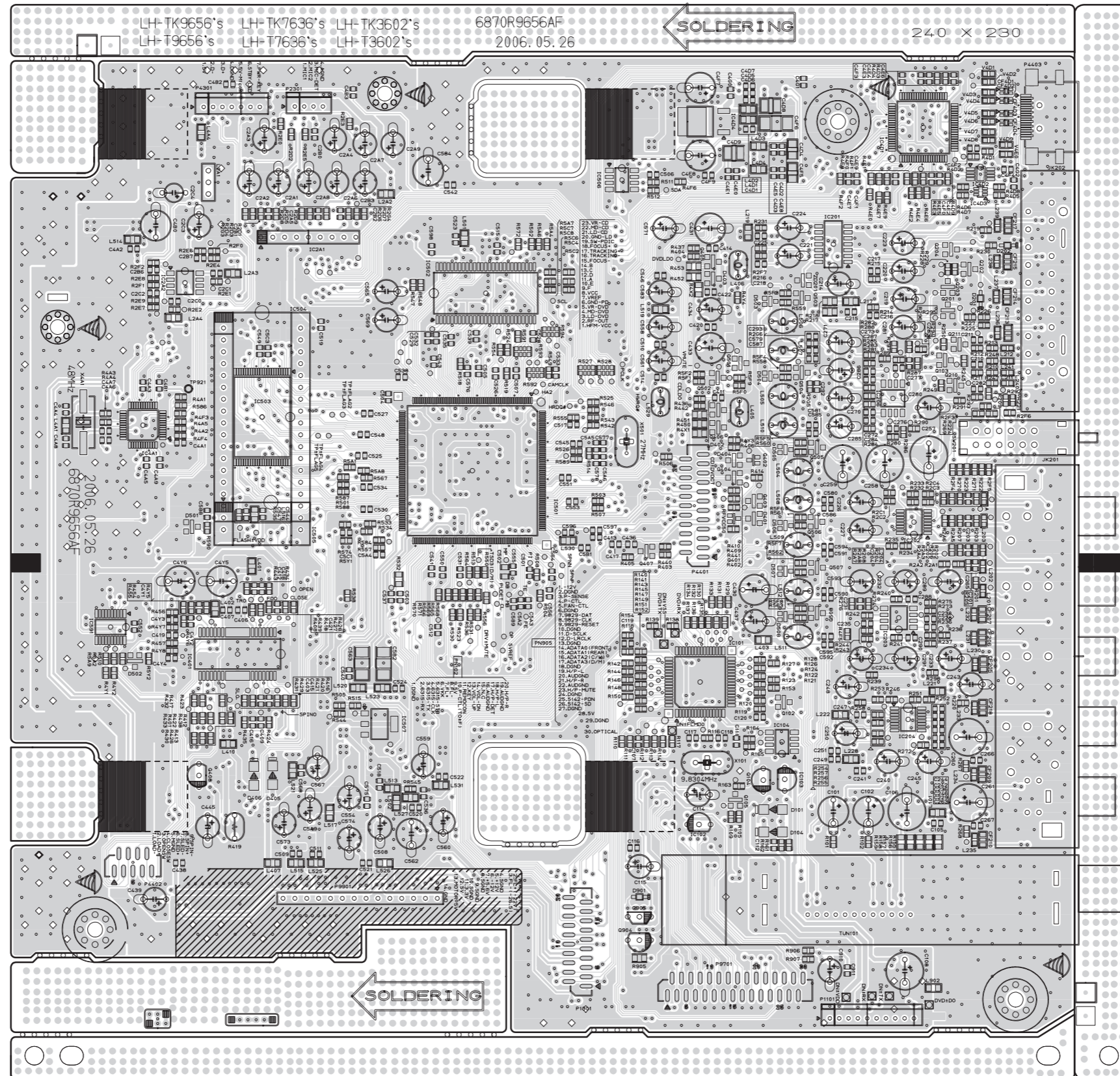
11 DIODE OPTION

Symbol No.	CONTENTS	DESCRIPTION
D001	RES	NON RES
D002	AM STEP	90Hz
D003	FM STEP	500Hz
D004	BAND	AM/FM
D005	JAPAN	NON JAPAN
D006	TUNER	2-CHIP(TUNING/S&A) LC72131
D007	SCART	Without SCART
D008	USB	Without USB
D009	Optical In	Without OPTICAL-IN
D010	OUTPUT	300W(6/9)
D011		700W(4/3)
D012		1000W(4/3)
D013	COMP 10	
D014	(SPECIFIED)	
D015	(KTS)	
D016	XM	NON XM

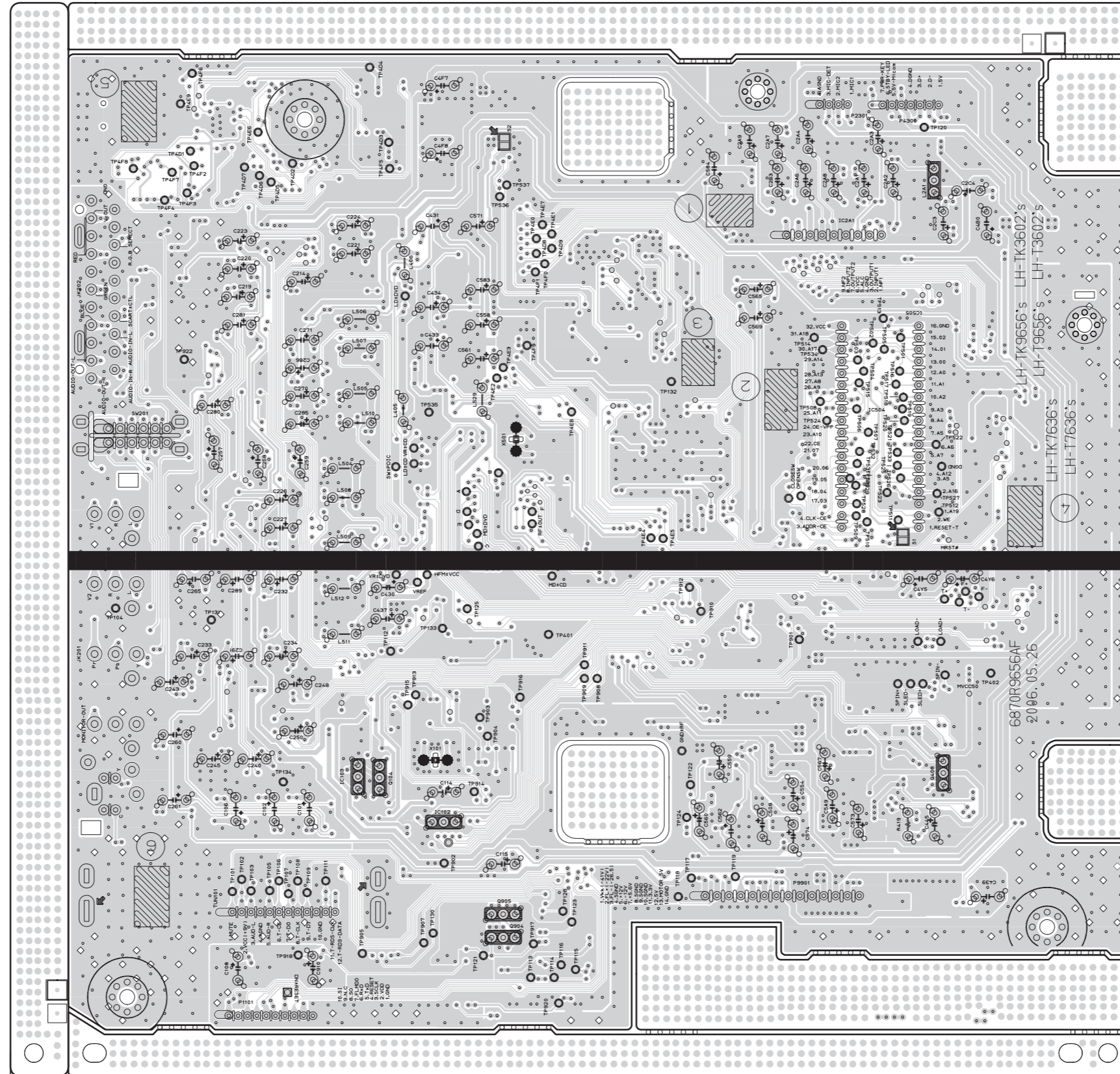
SCHEMATIC DIAGRAM(FRONT)
LH-T9656
3854R19650A (#1)

PRINTED CIRCUIT BOARD DIAGRAMS

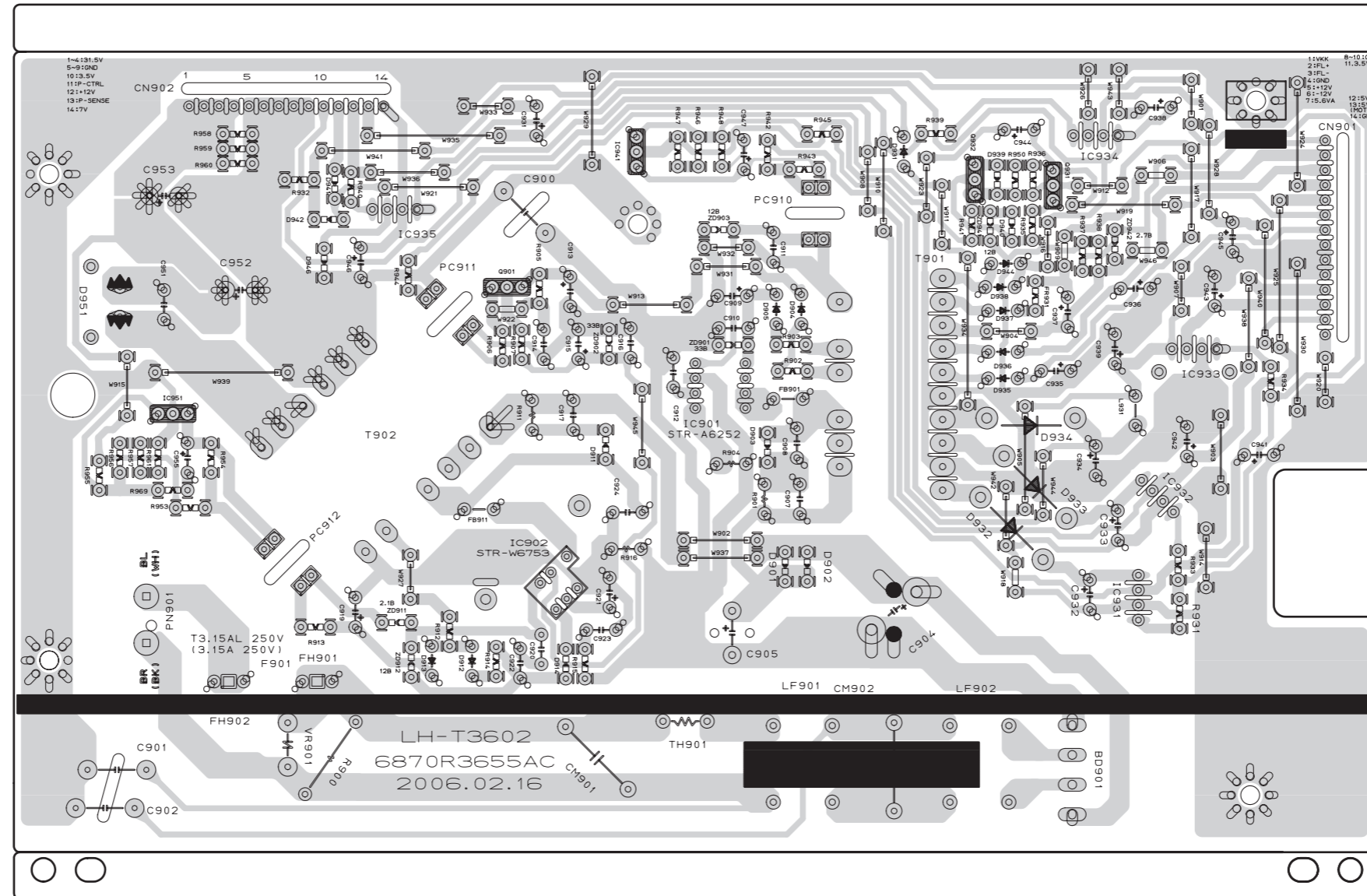
1. MAIN P.C. BOARD DIAGRAM (TOP VIEW)



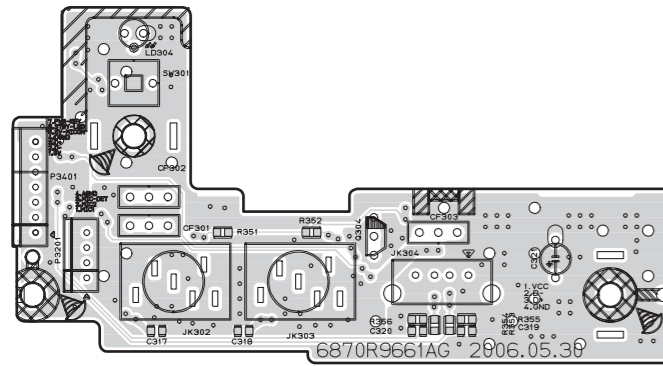
2. MAIN P.C. BOARD DIAGRAM (BOTTOM VIEW)



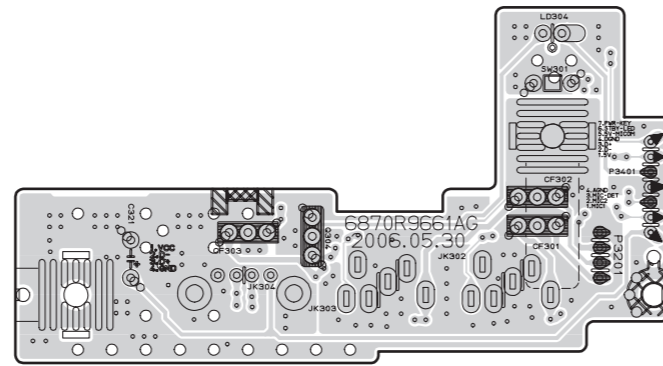
3. SMPS P.C. BOARD



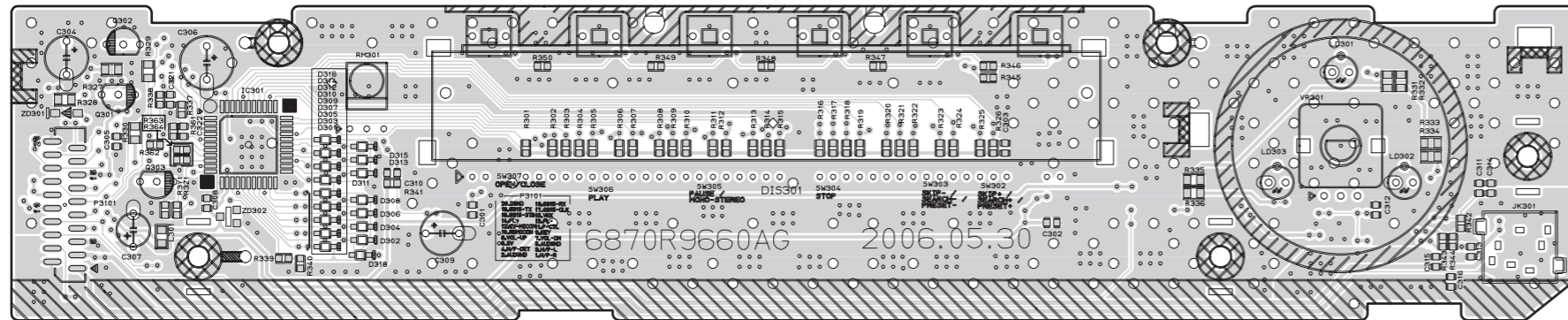
**4. KEY P.C. BOARD
(TOP VIEW)**



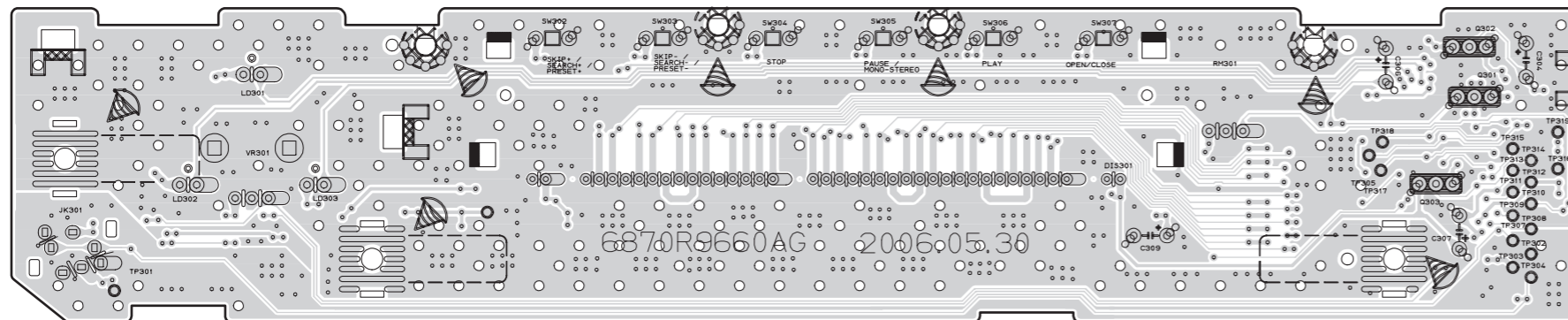
(BOTTOM VIEW)



**5. TIMER P.C. BOARD
(TOP VIEW)**



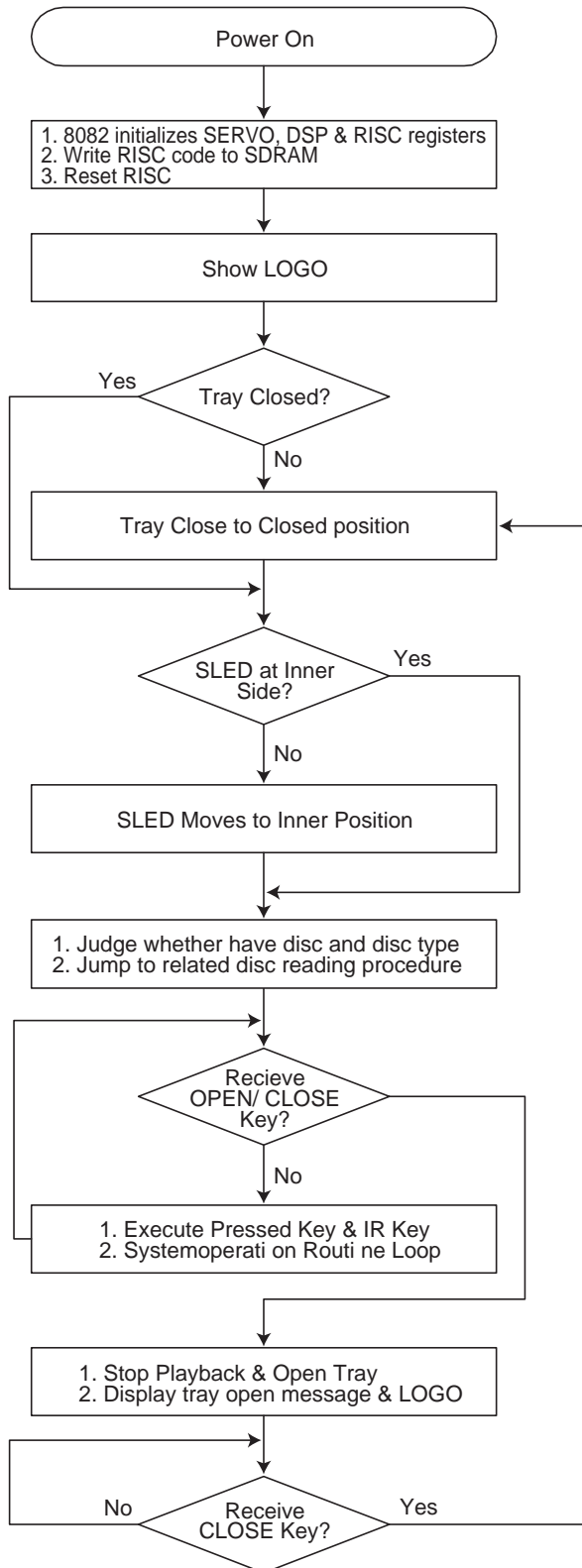
(BOTTOM VIEW)



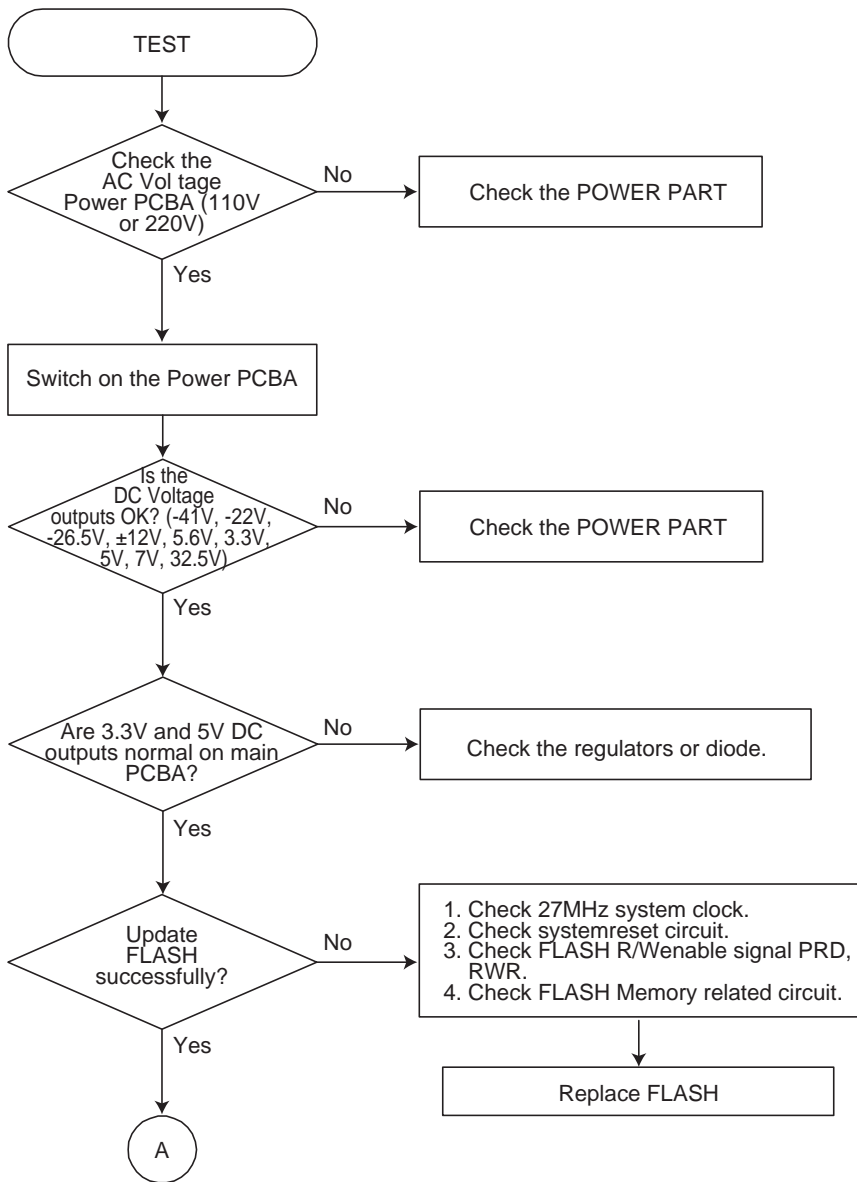
SECTION 3. DVD & AMP PART

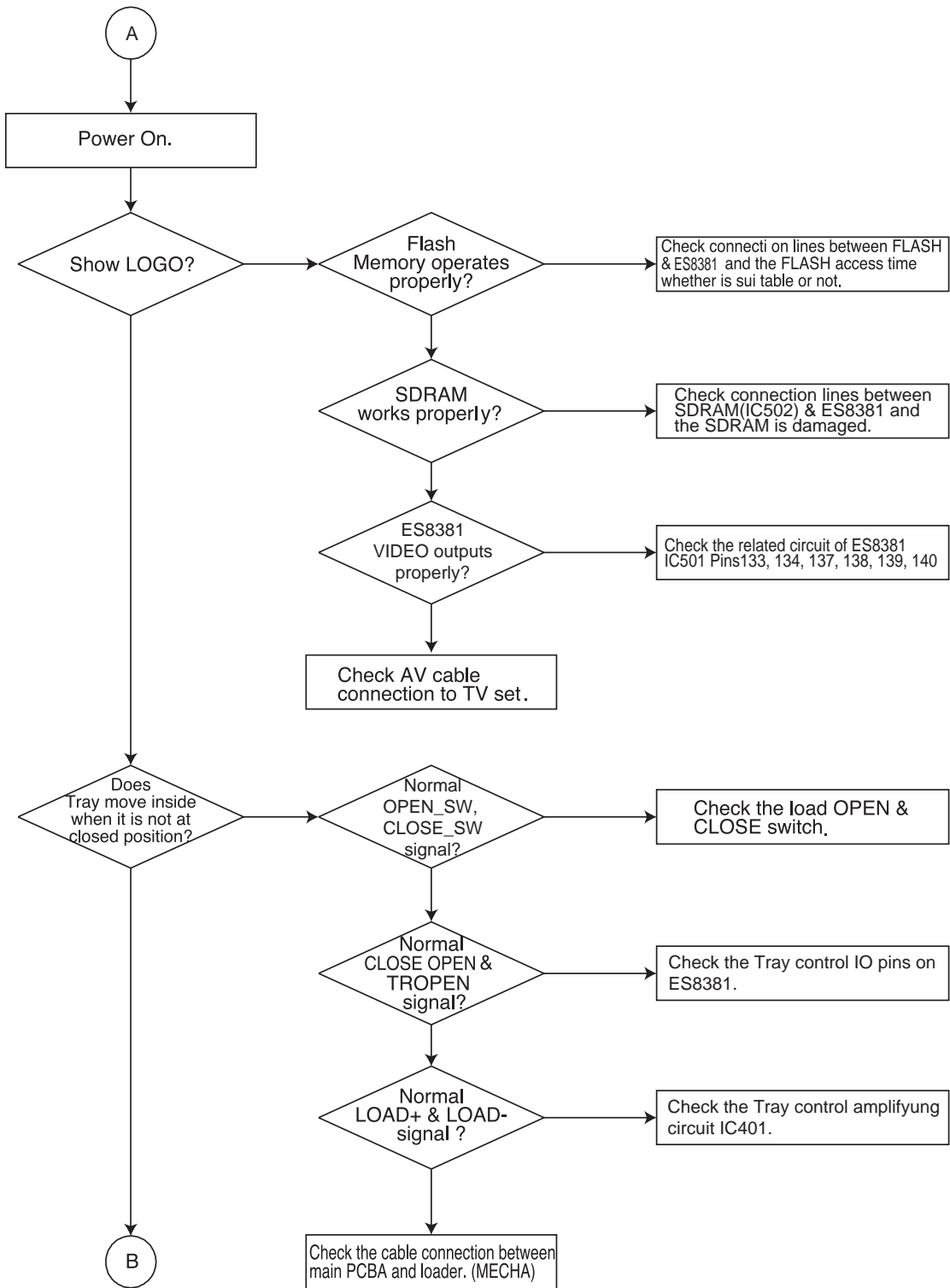
ELECTRICAL TROUBLESHOOTING GUIDE

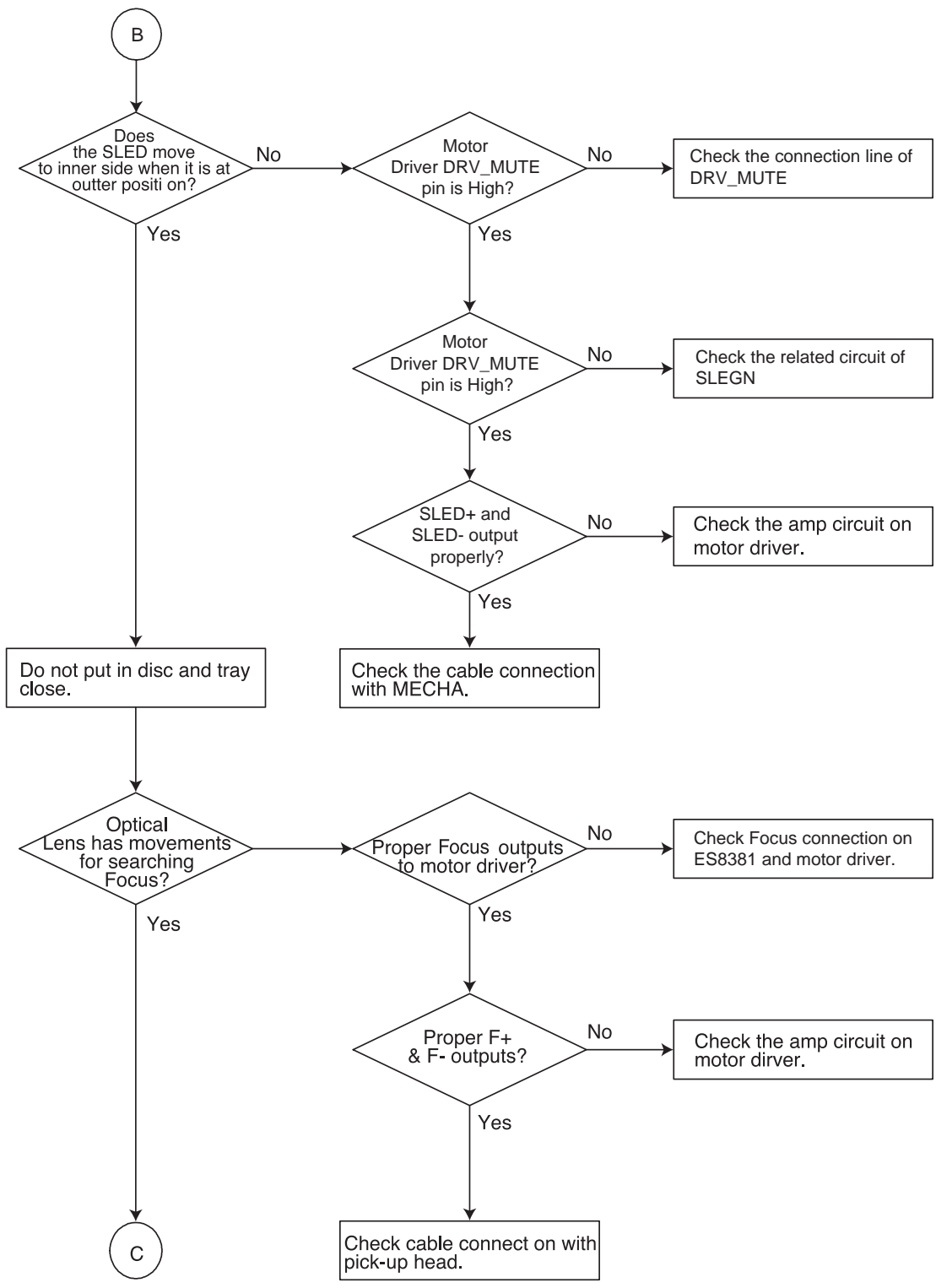
1. System operation flow

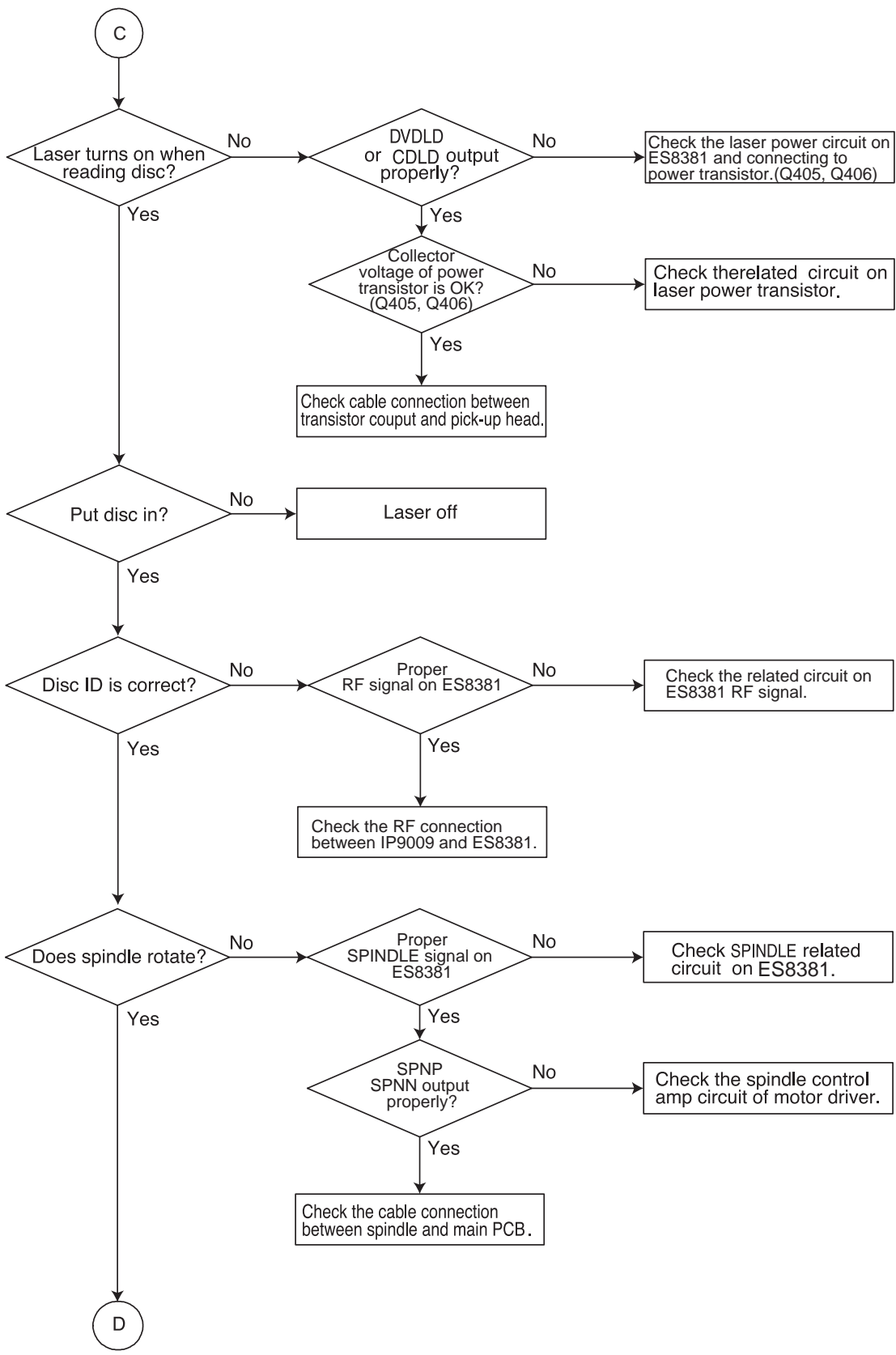


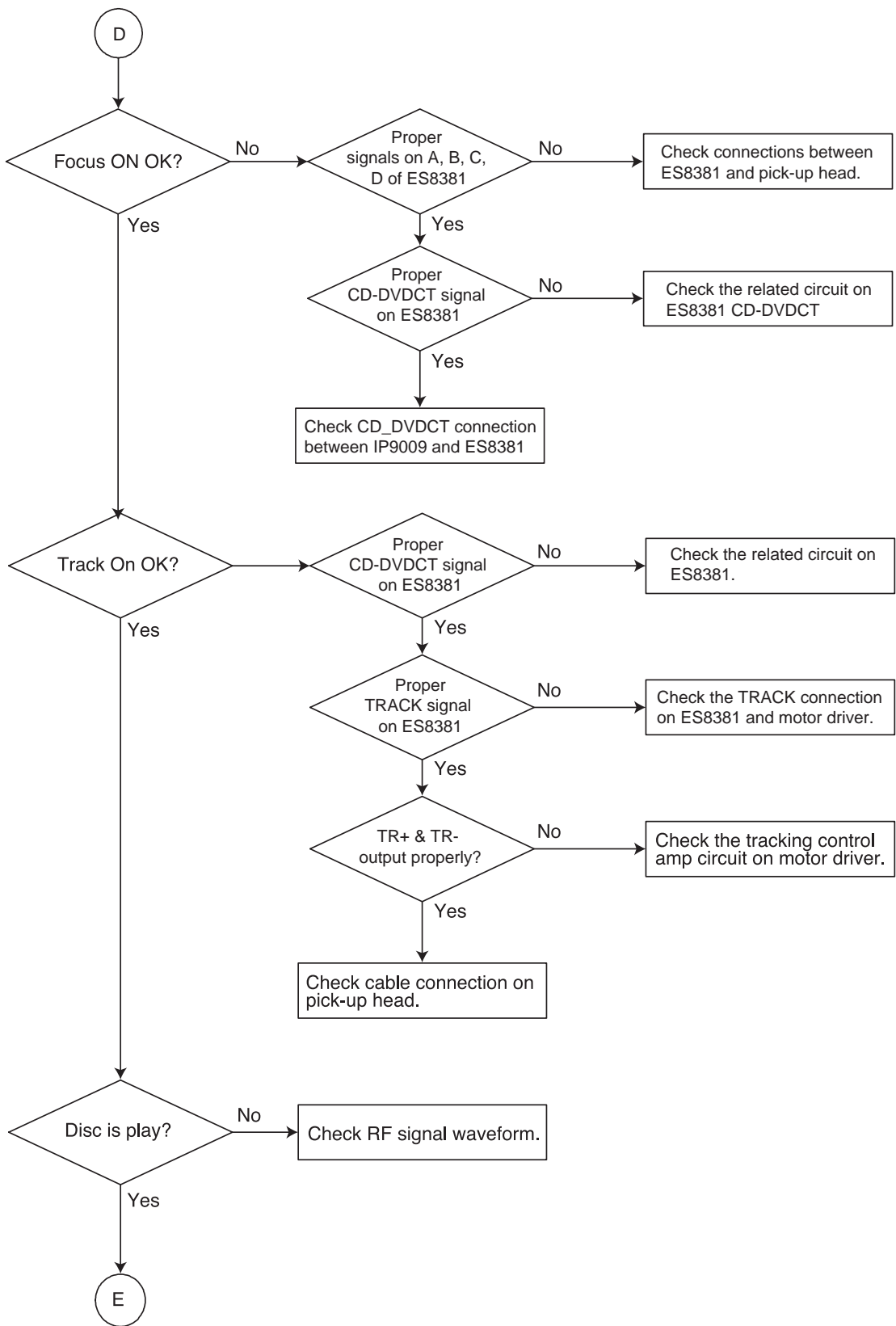
2. Test & debug flow

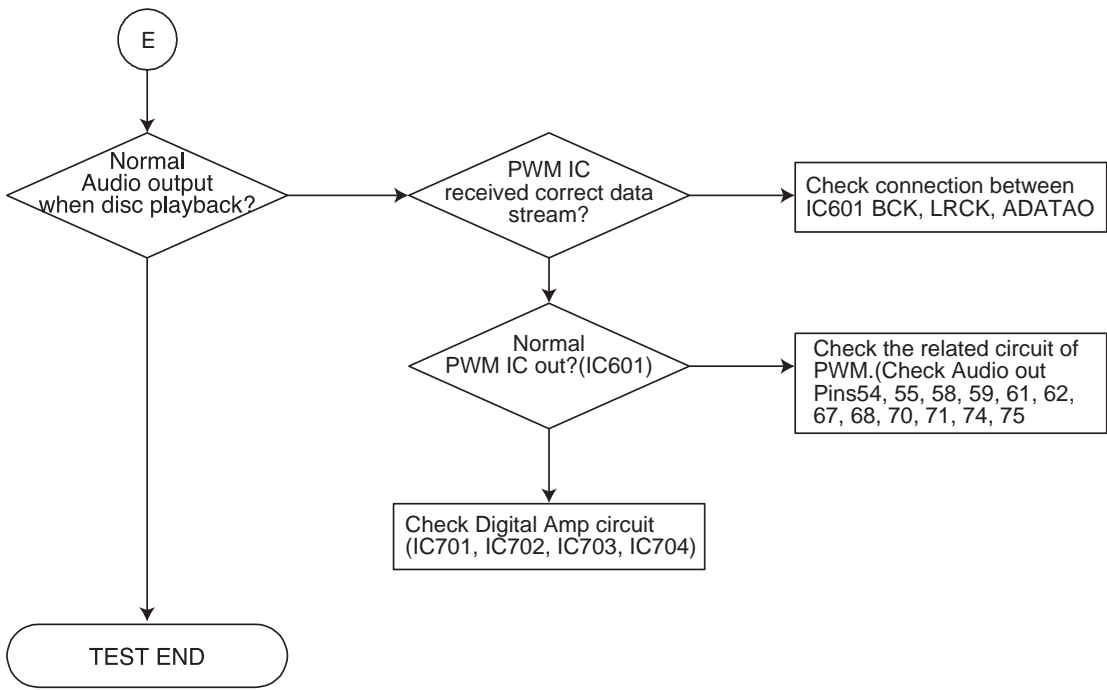




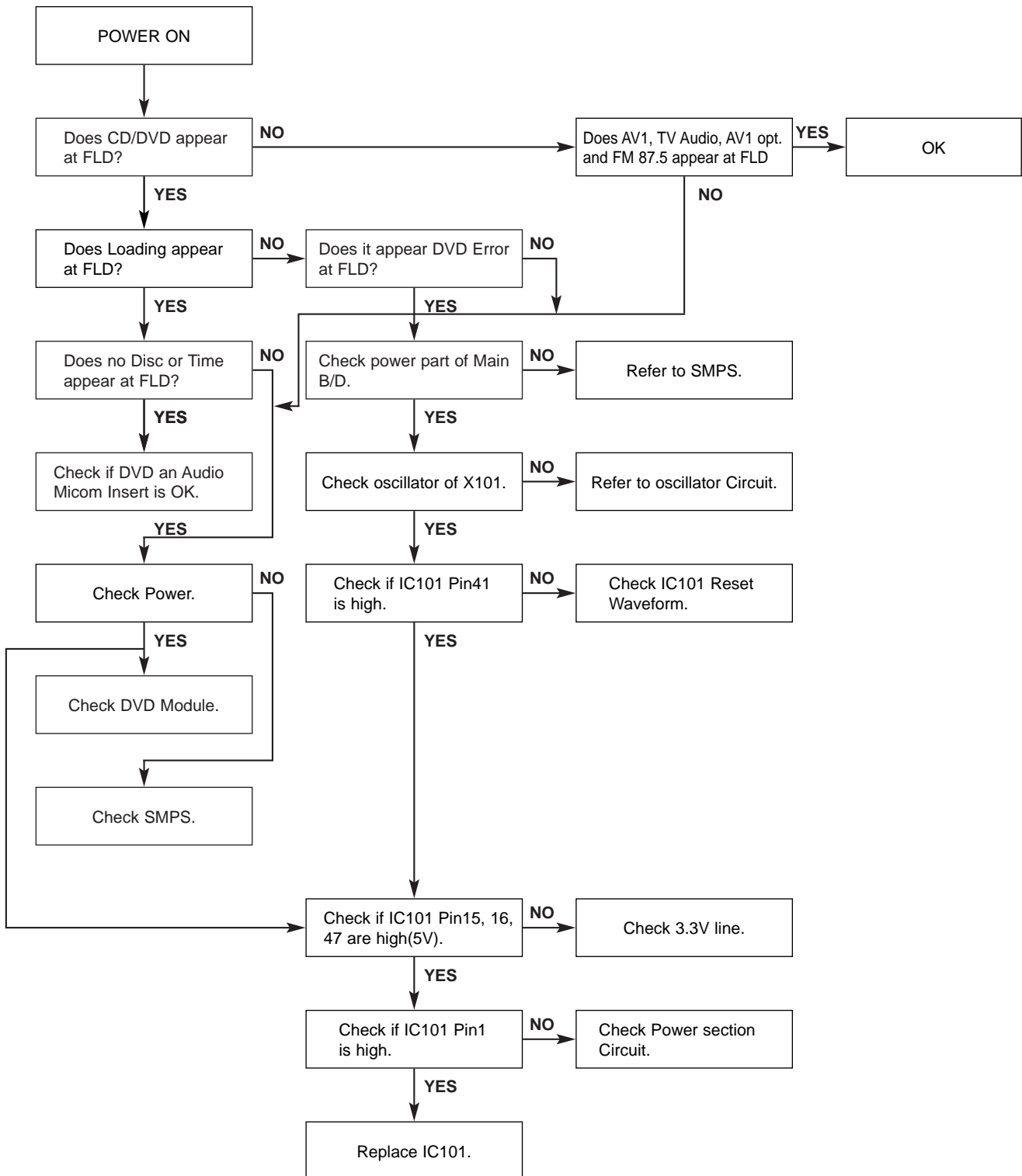








3. AUDIO μ -COM Circuit(DVD & AMP)



DETAILS AND WAVEFORMS ON SYSTEM TEST AND DEBUGGING

1. SYSTEM 27MHz CLOCK,RESET,FLASH R/W SIGNAL

1) ES8381 main clock is at 27MHz(X501)

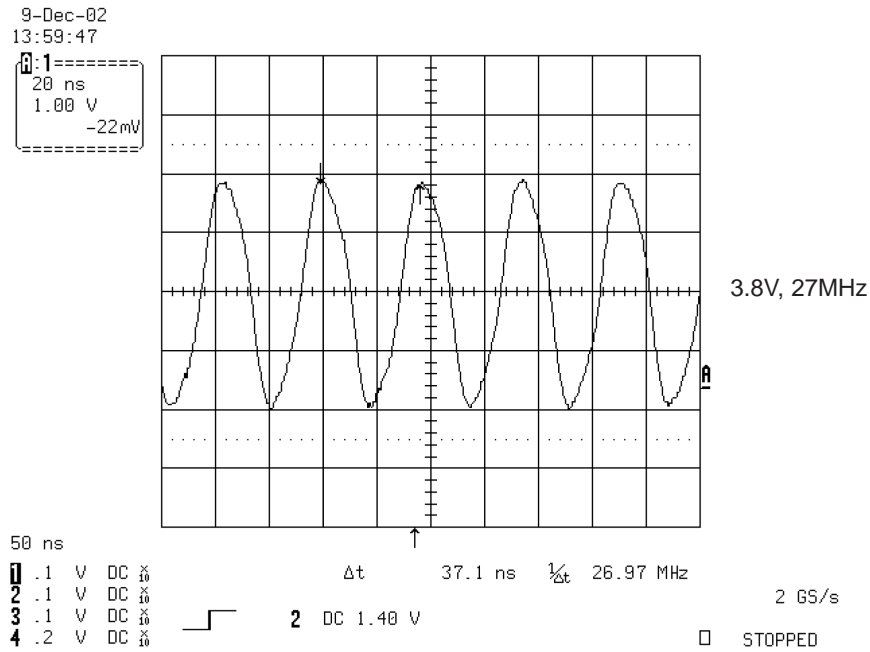


FIG 1-1

2) ES8381 reset is high active.

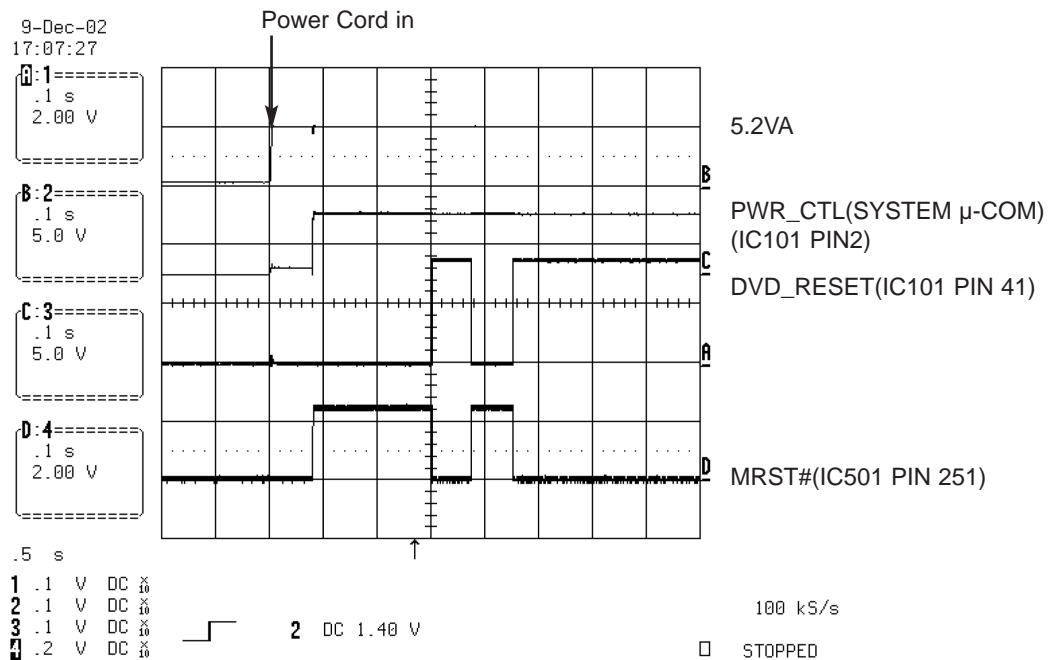


FIG 1-2

3) Flash R/W enable signal during download(Downloading)

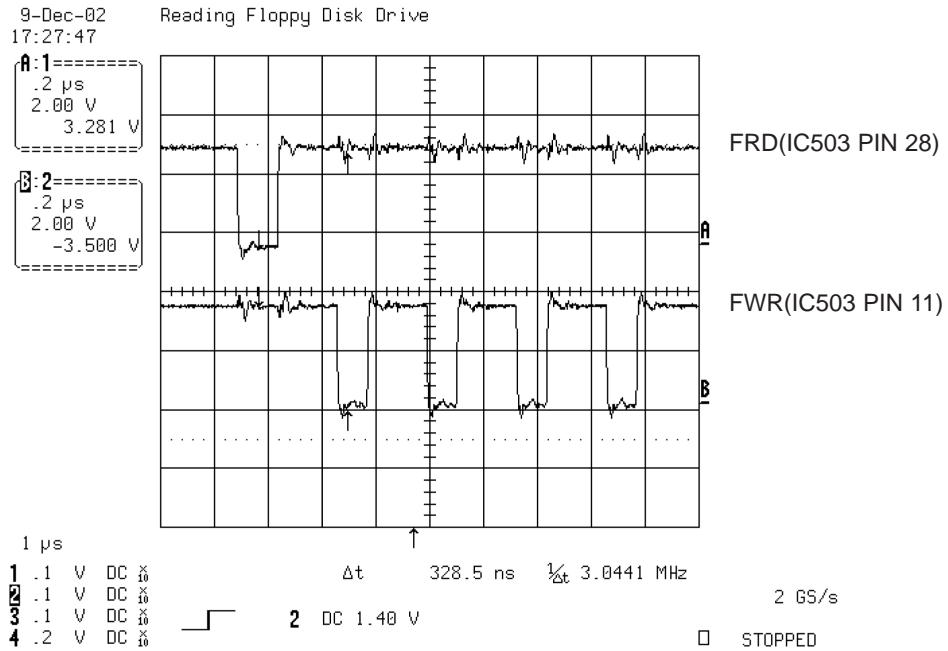


FIG 1-4

2. SDRAM CLOCK

1) ES8381 main clock is at 27MHz(X501)

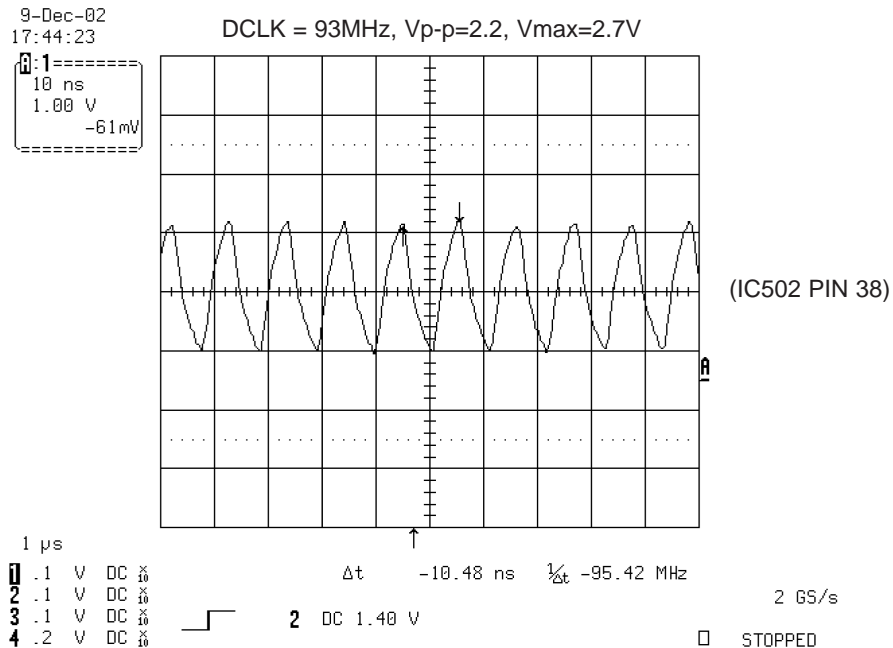


FIG 2-1

3. TRAY OPEN/CLOSE SIGNAL

1) Tray open/close waveform

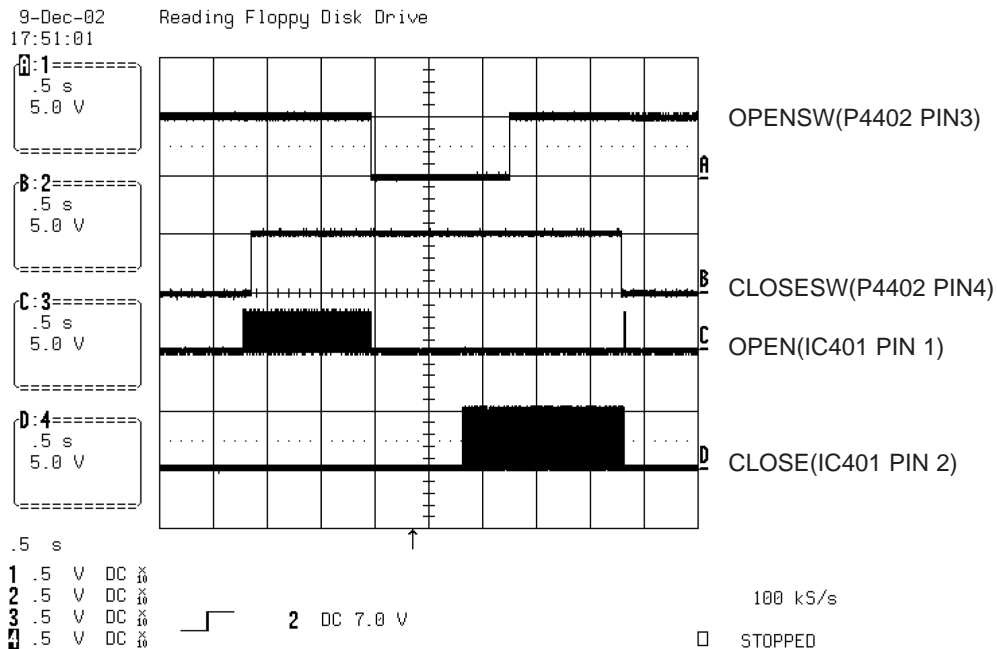


FIG 3-1

2) Tray close waveform

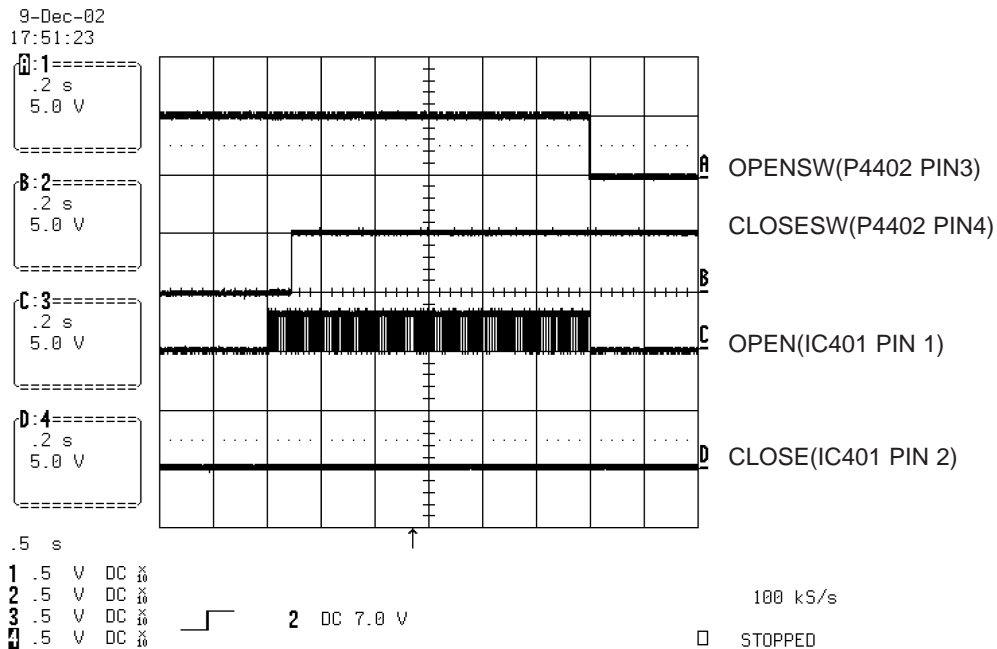


FIG 3-2

3) Tray open waveform

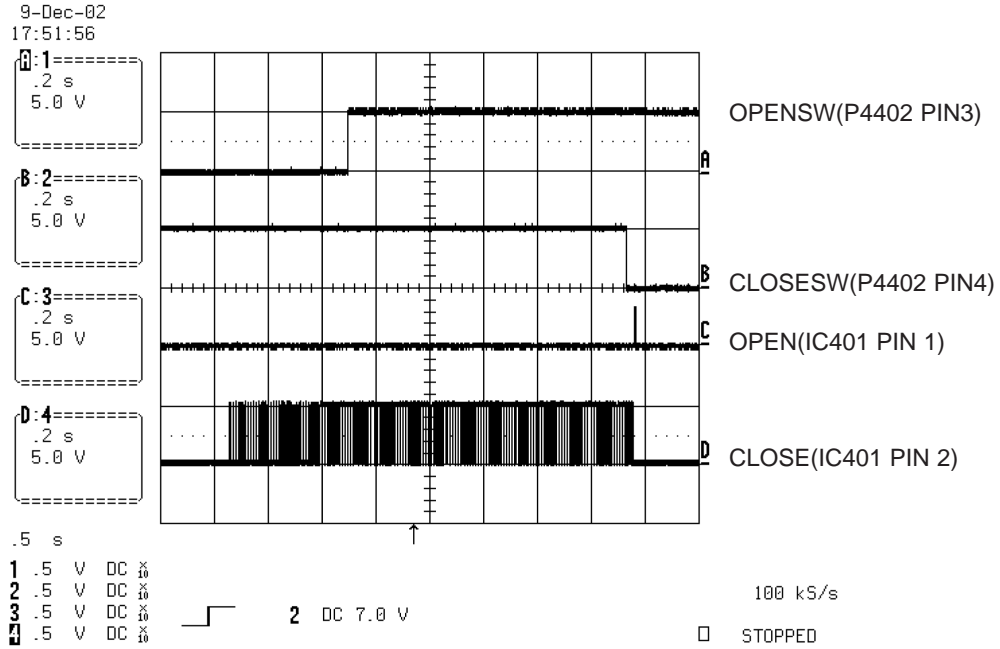


FIG 3-3

4. SLED CONTROL RELATED SIGNAL (NO DISC CONDITION)

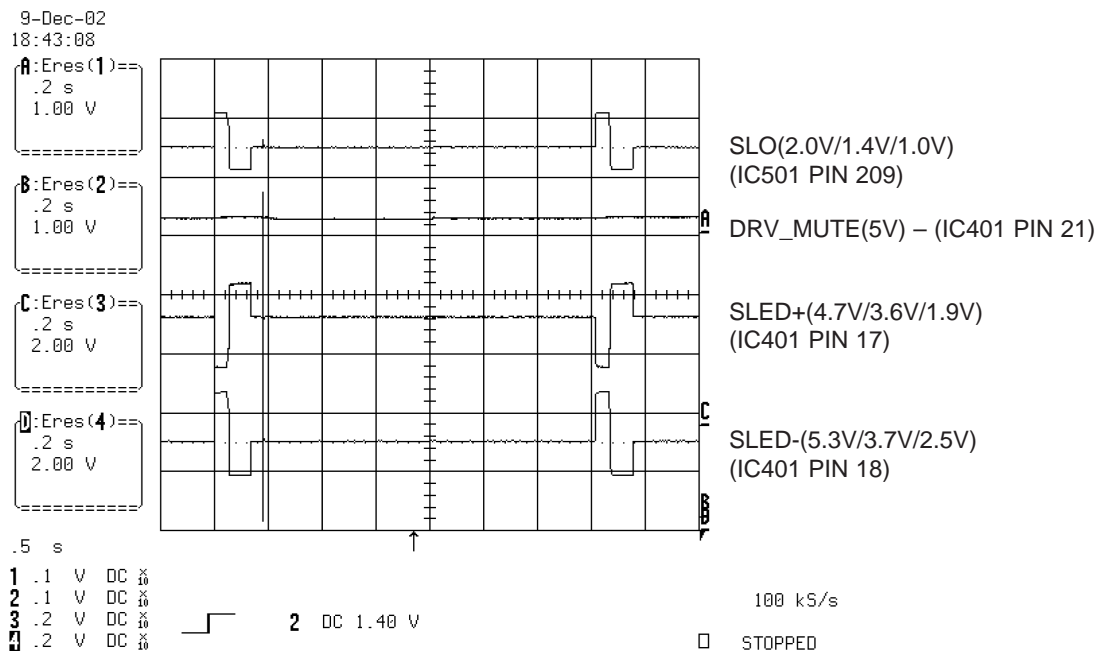


FIG 4-1

5. LENS CONTROL RELATED SIGNAL(NO DISC CONDITION)

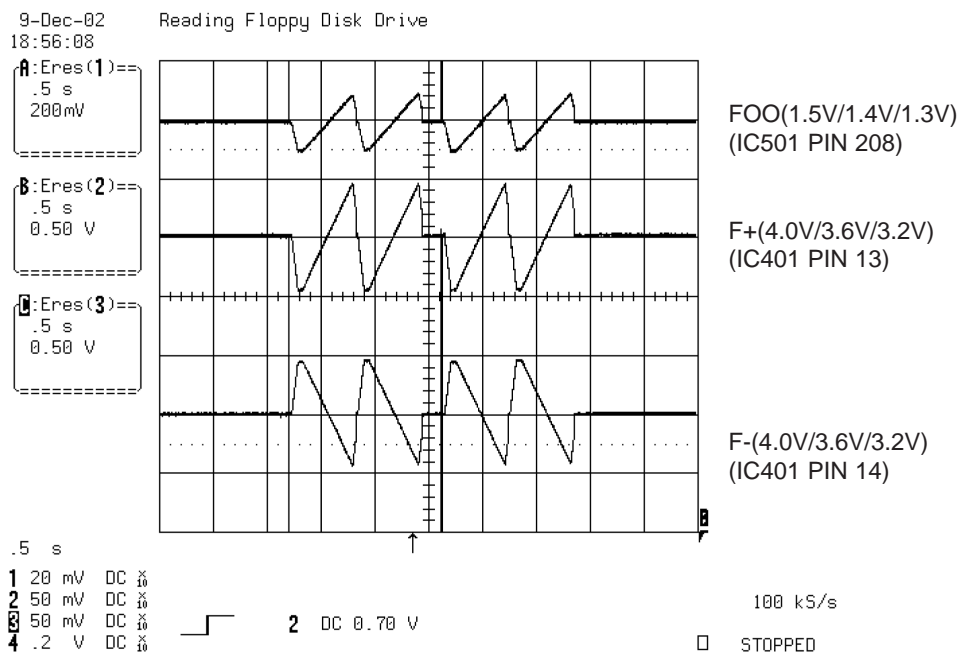


FIG 5-1

6. LASER POWER CONTROL RELATED SIGNAL(NO DISC CONDITION)

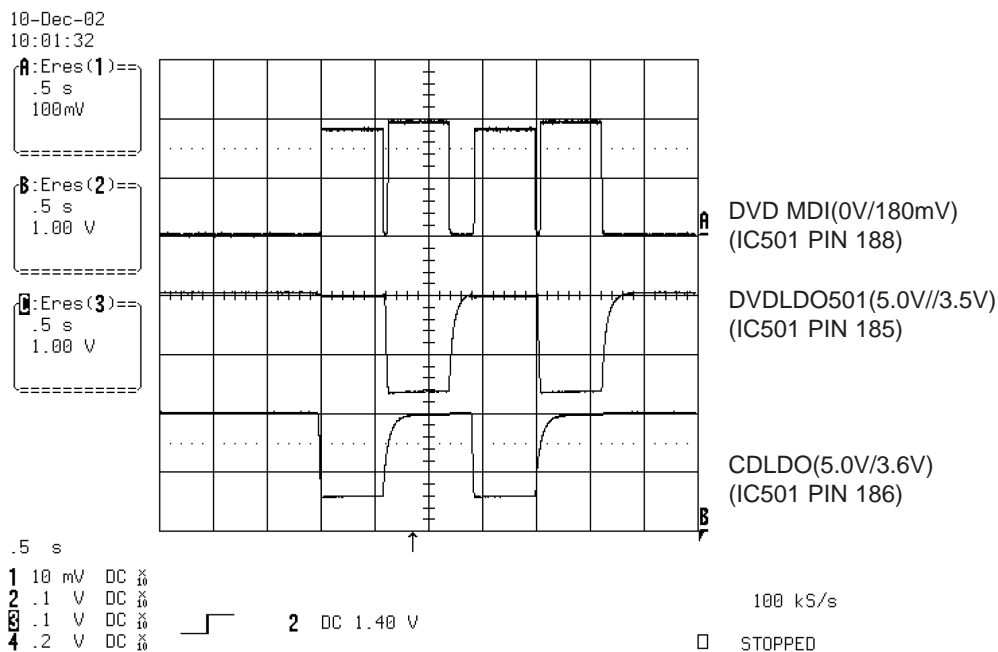


FIG 6-1

7. DISC TYPE JUDGEMENT WAVEFORMS

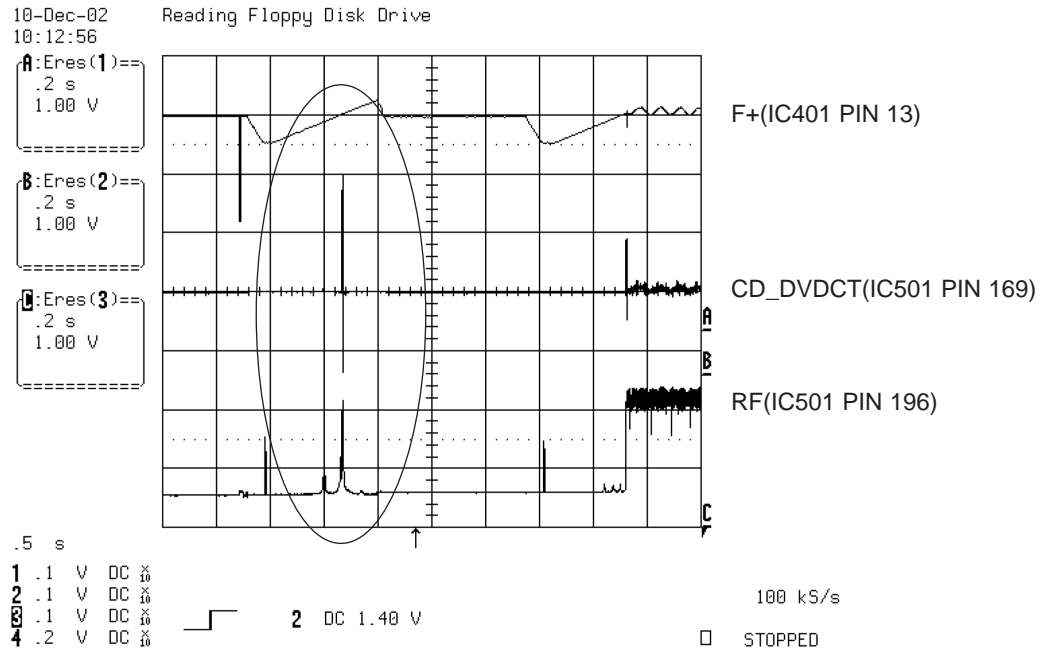


FIG 7-1 (DVD)

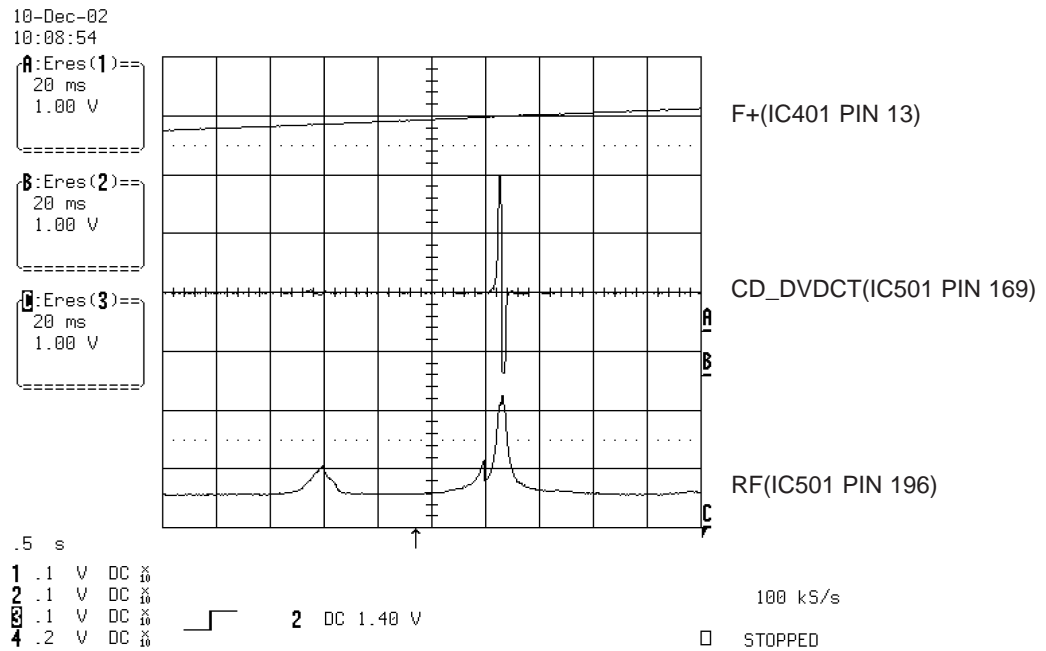


FIG 7-2 (DVD)

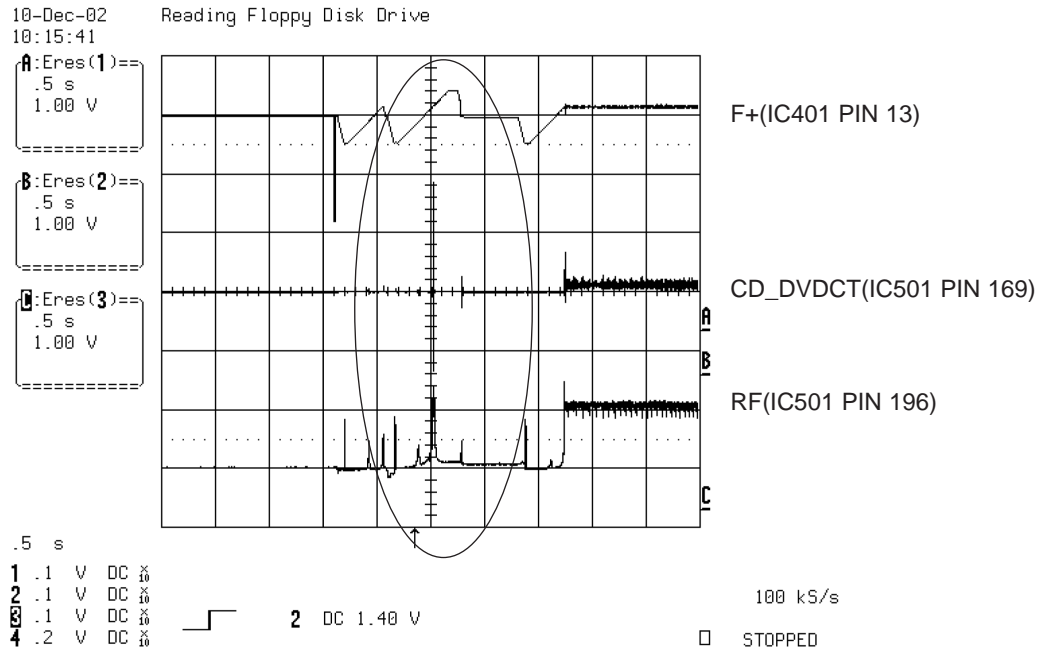


FIG 7-3 (CD)

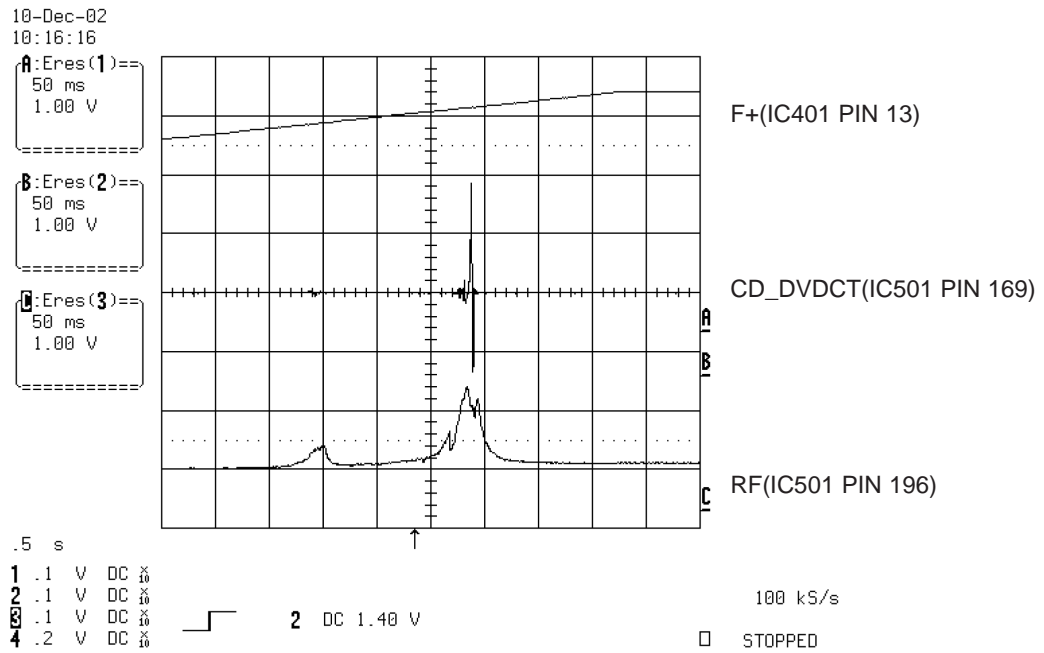


FIG 7-4 (CD)

8. FOCUS ON WAVEFORMS

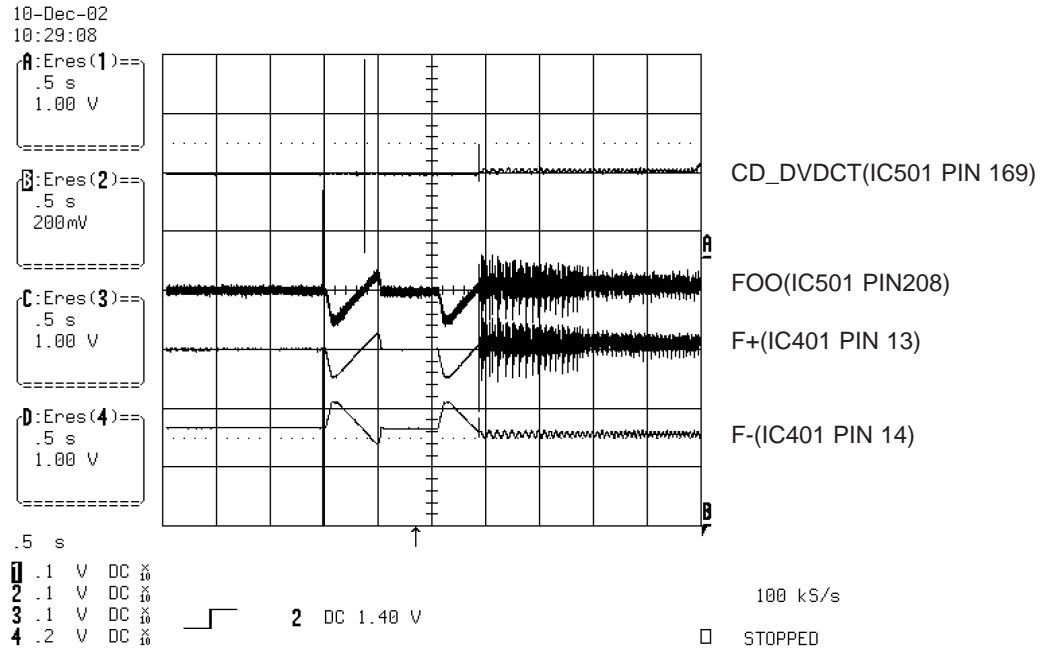


FIG 8-1 (DVD)

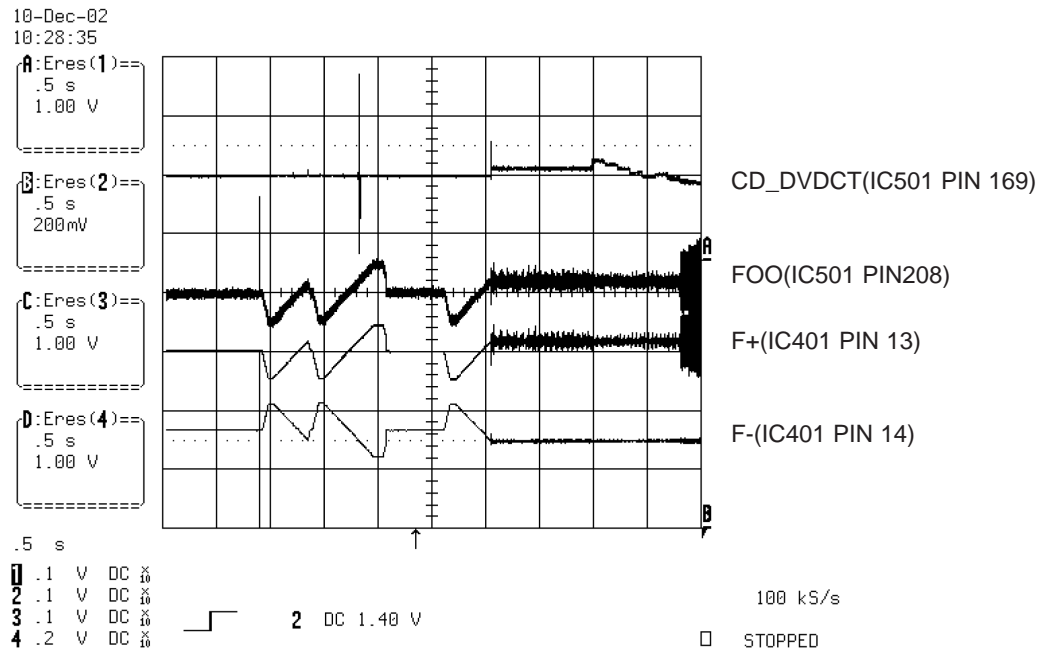


FIG 8-2 (CD)

9. SPINDLE CONTROL WAVEFORMS (NO DISC CONDITION)

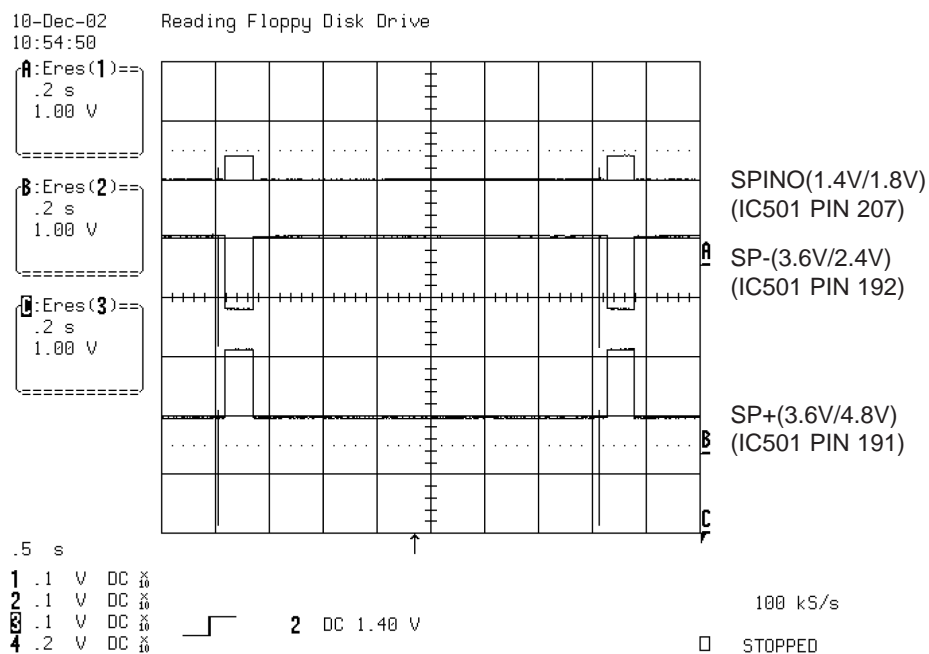


FIG 9-1

10. TRACKING CONTROL RELATED SIGNAL(System checking)

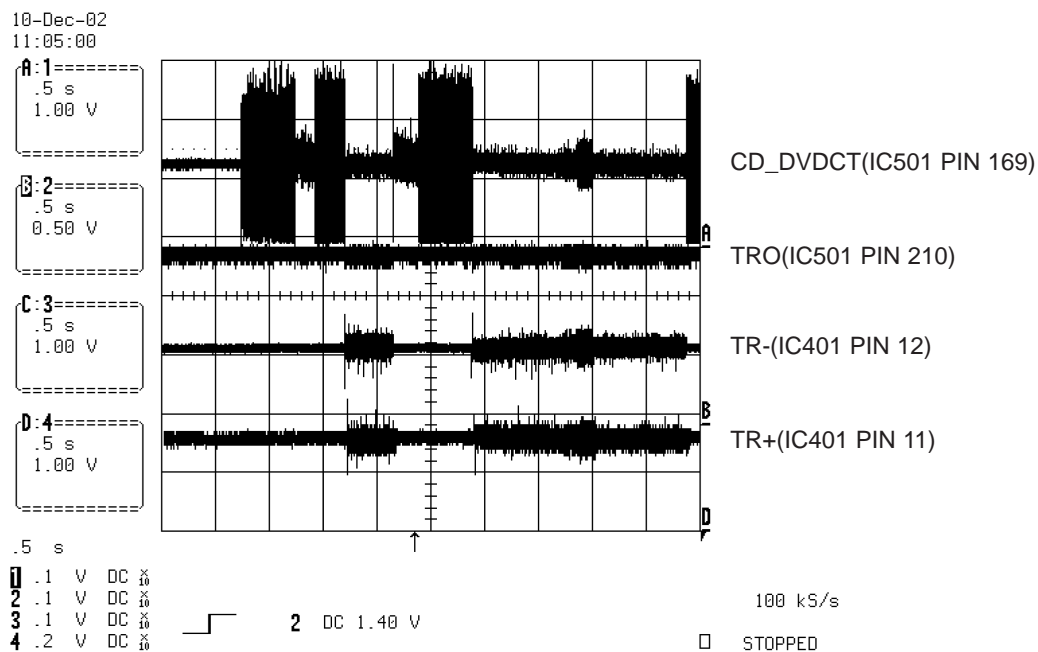


FIG 10-1(DVD)

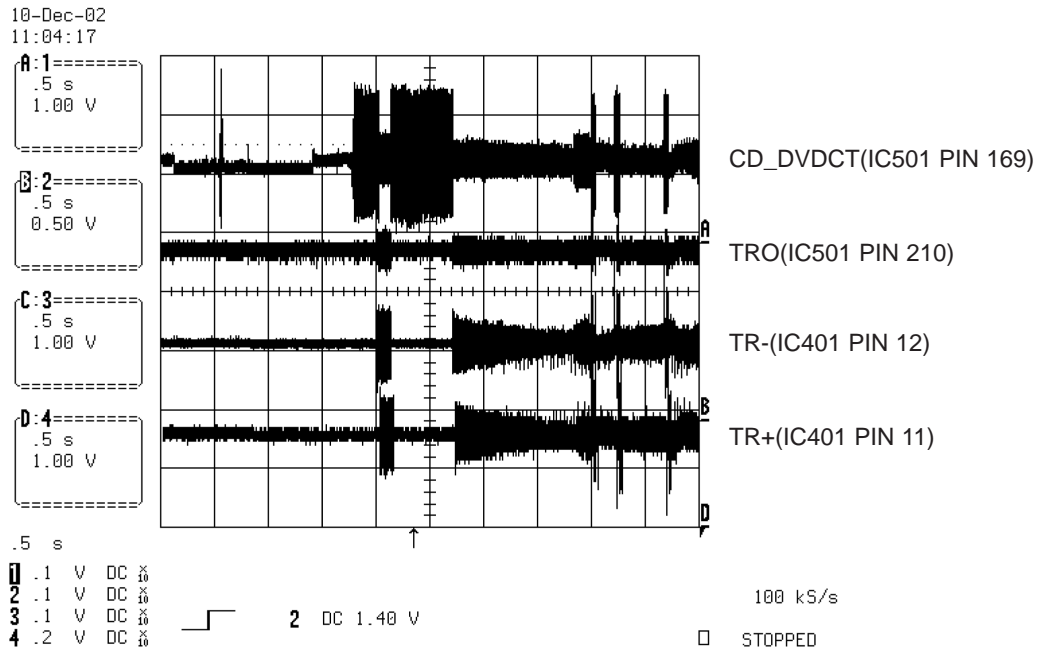


FIG 10-2(CD)

11. ES6698FD VIDEO OUTPUT WAVEFORMS

1) Full colorbar signal(COMPOSIT)

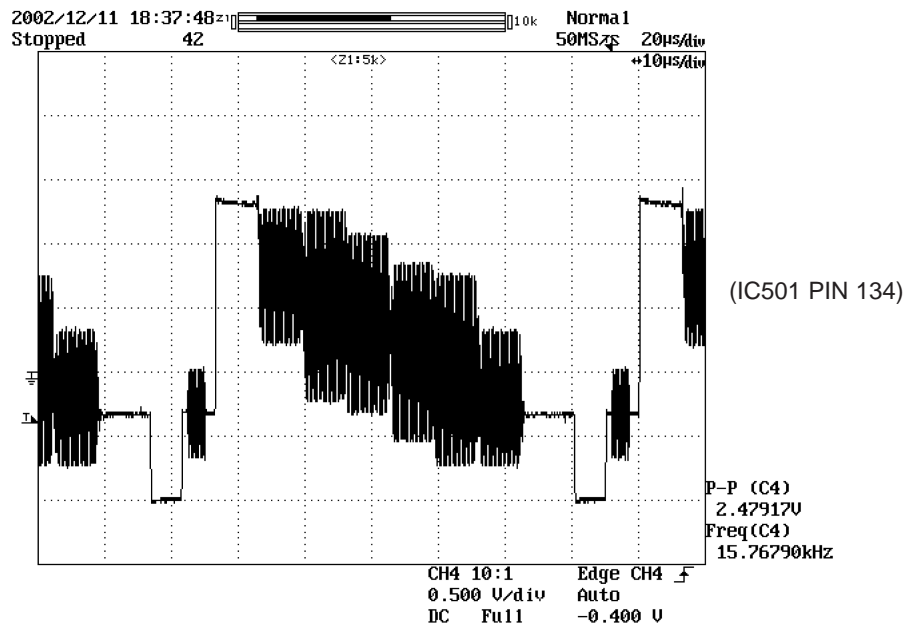


FIG 11-1

2) Y

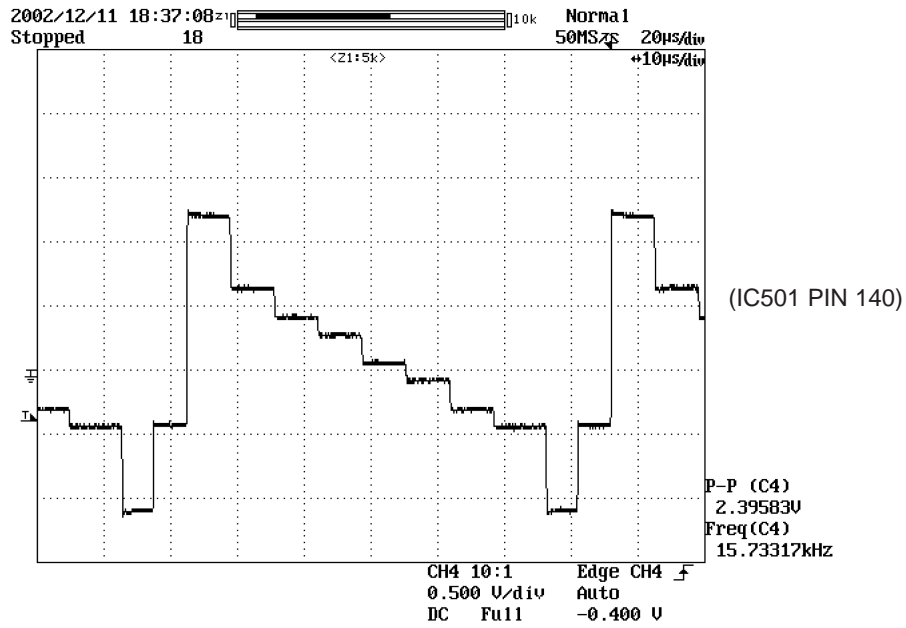


FIG 11-2

12. AUDIO OUTPUT FROM PWM IC

1) Audio L/R

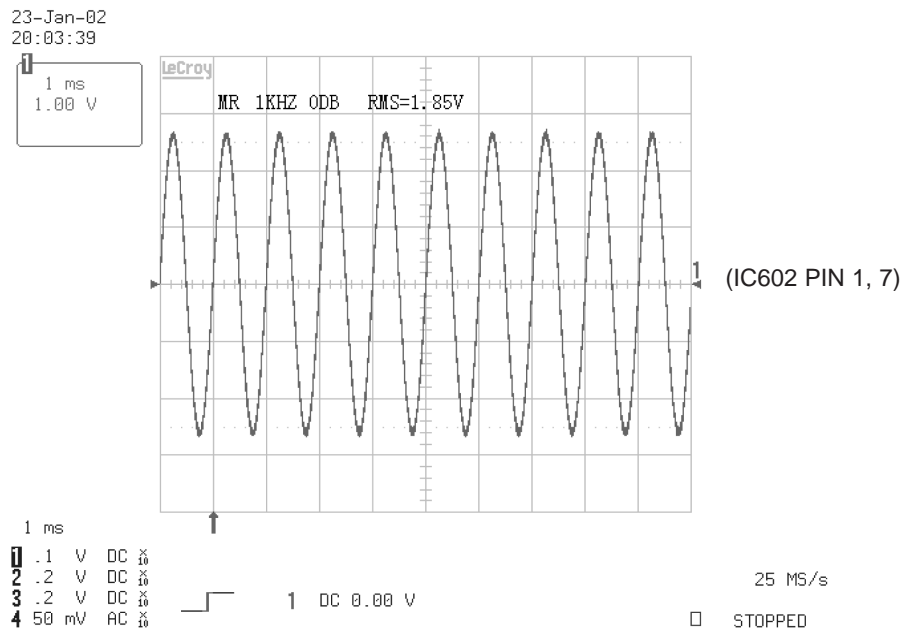


FIG 12-1

2) Audio related Signal

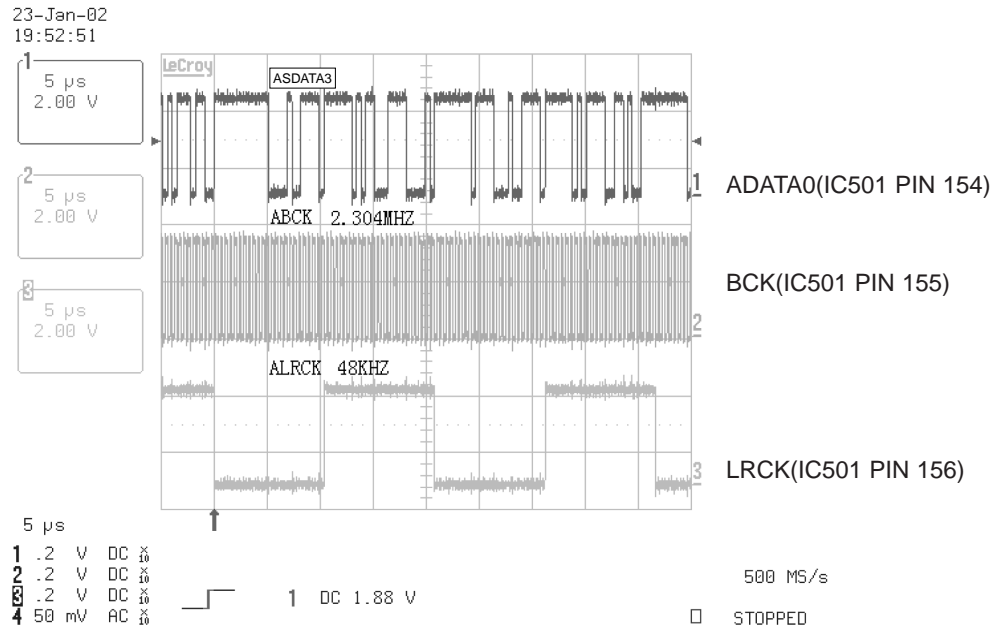
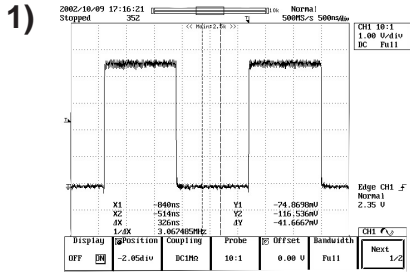
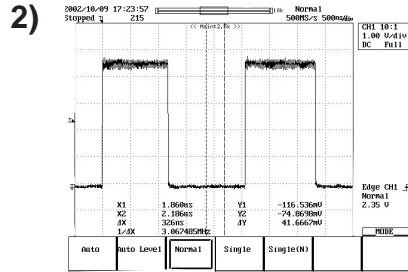


FIG 12-2

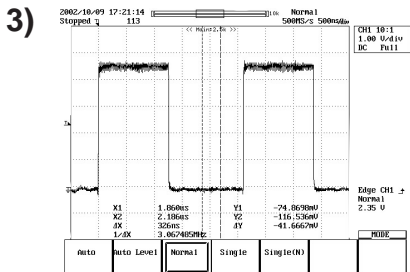
13. DVD & AMP WAVEFORMS



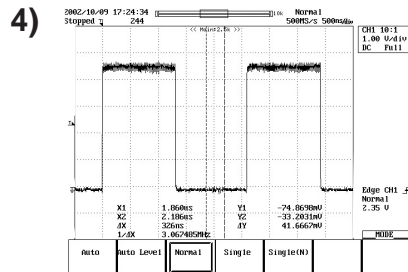
- R620 → TP611
- or
- R621 TP612



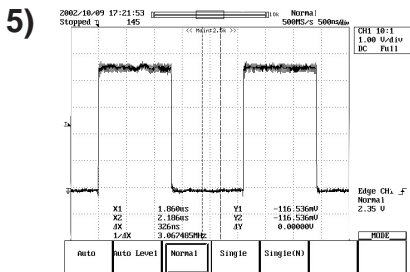
- R618 → TP609
- or
- R619 TP610



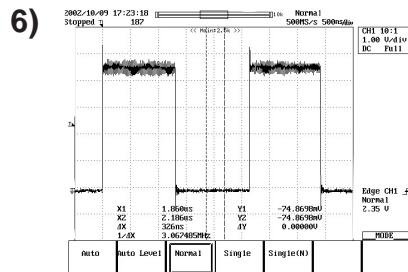
- R612 → TP603
- or
- R613 TP604



- R610 → TP601
- or
- R611 TP602



- R614 → TP605
- or
- R615 TP606



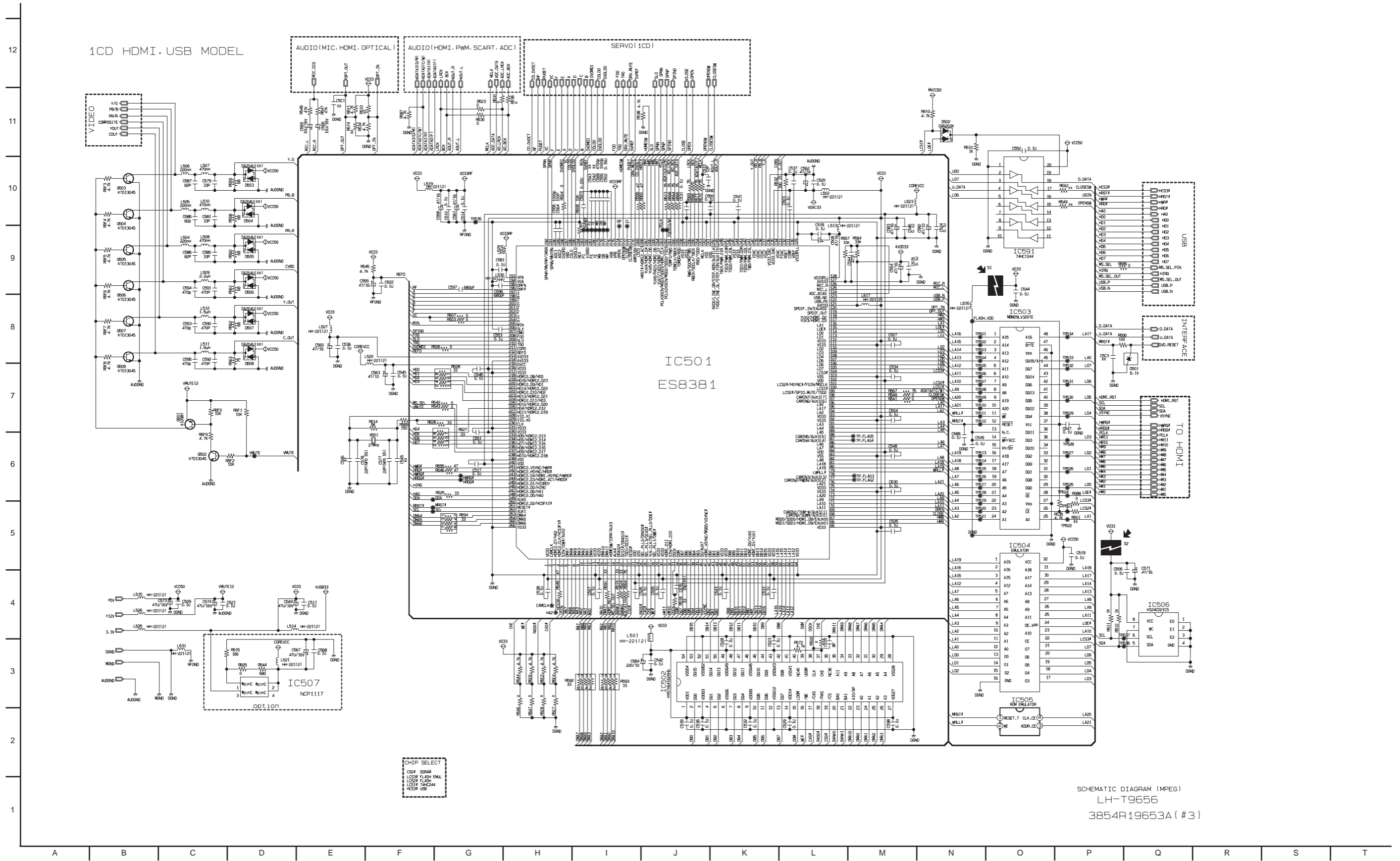
- R616 → TP607
- or
- R617 TP608

MEMO

A series of horizontal dotted lines for writing.

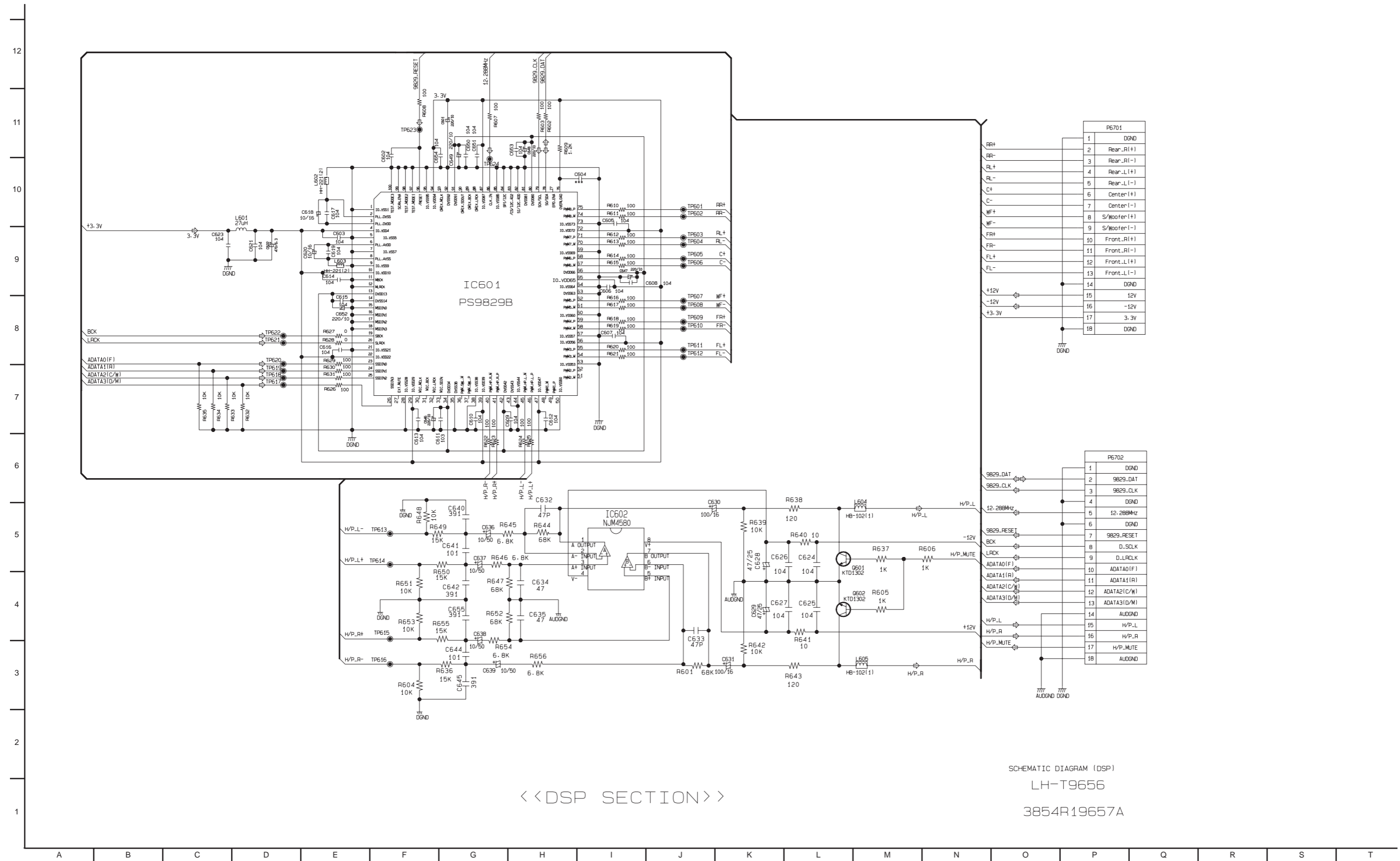
DVD & AMP CIRCUIT DIAGRAMS

1. MPEG CIRCUIT DIAGRAM



SCHMATIC DIAGRAM (MPEG)
LH-T9656
3854R19653A (#3)

2. DSP CIRCUIT DIAGRAM



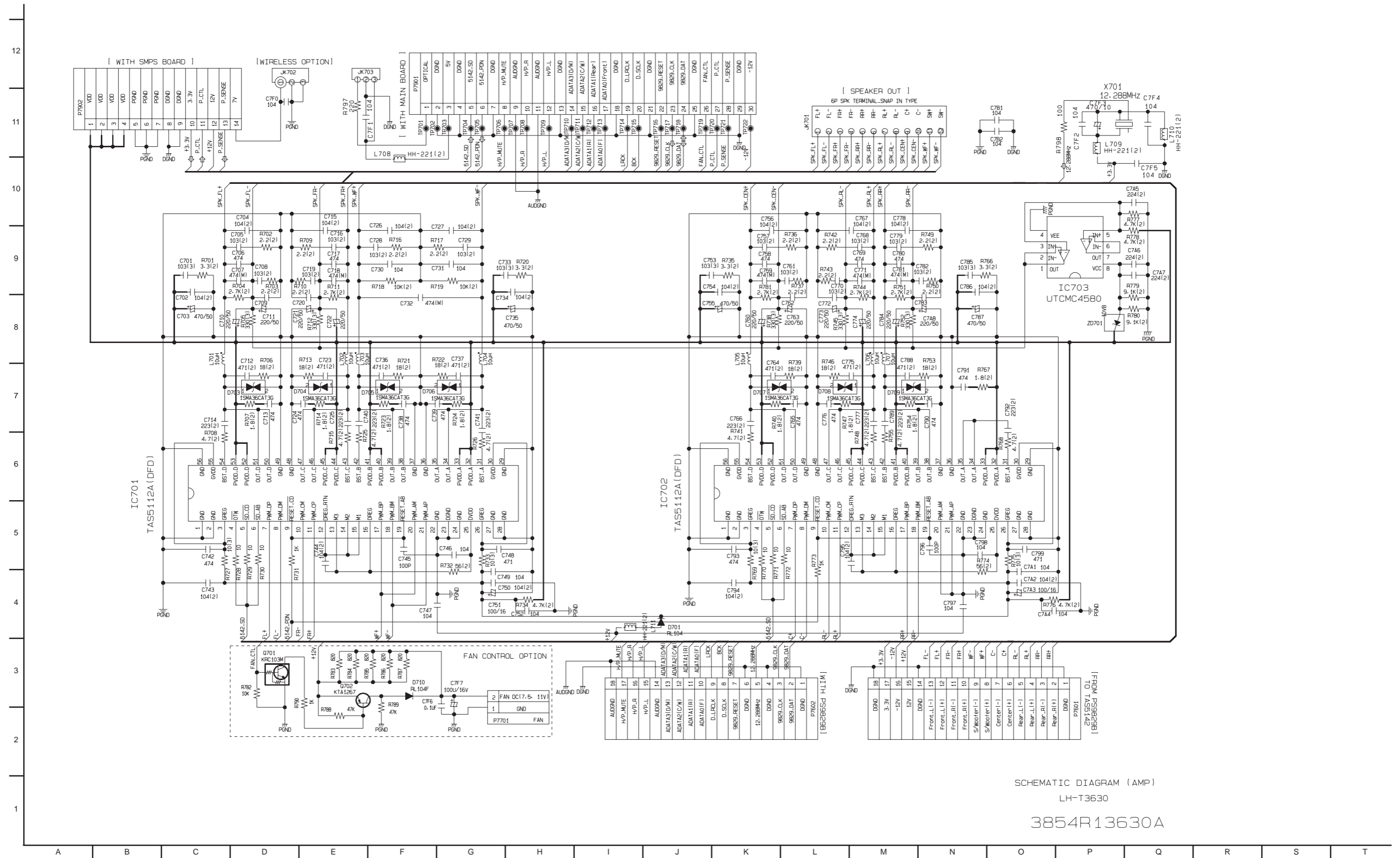
<< DSP SECTION >>

SCHMATIC DIAGRAM (DSP)

LH-T9656

3854R19657A

3. AMP CIRCUIT DIAGRAM



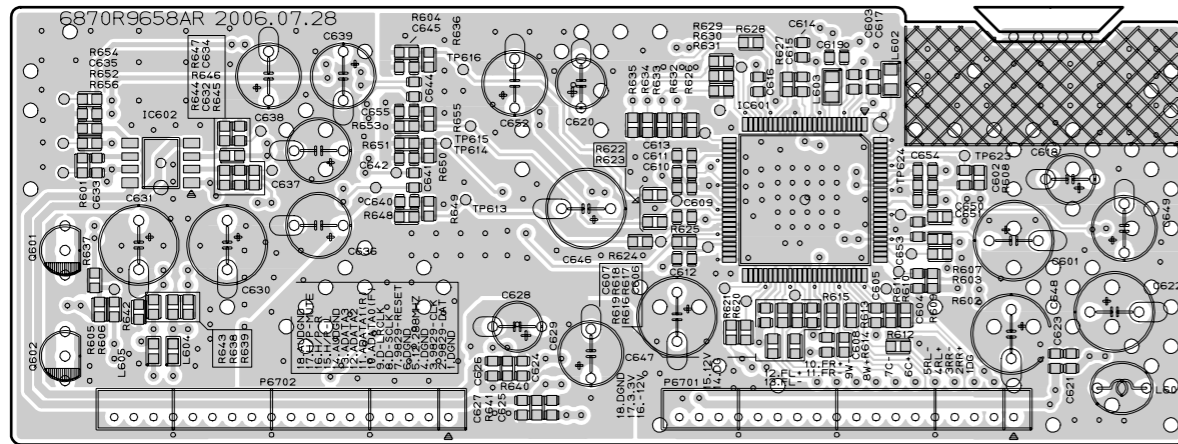
SCHEMATIC DIAGRAM (AMP)
LH-T3630

3854R13630A

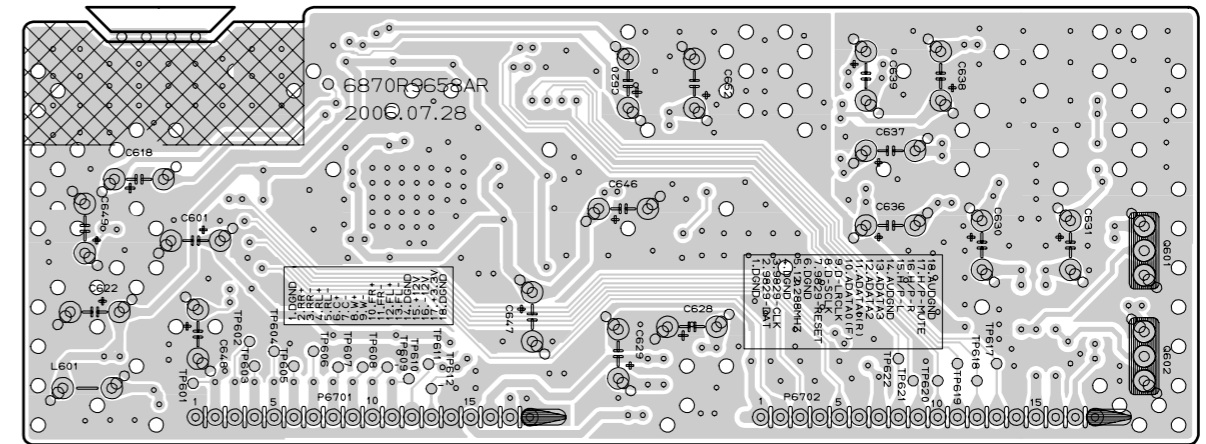
PRINTED CIRCUIT BOARD DIAGRAMS

1. DSP P.C. BOARD DIAGRAM

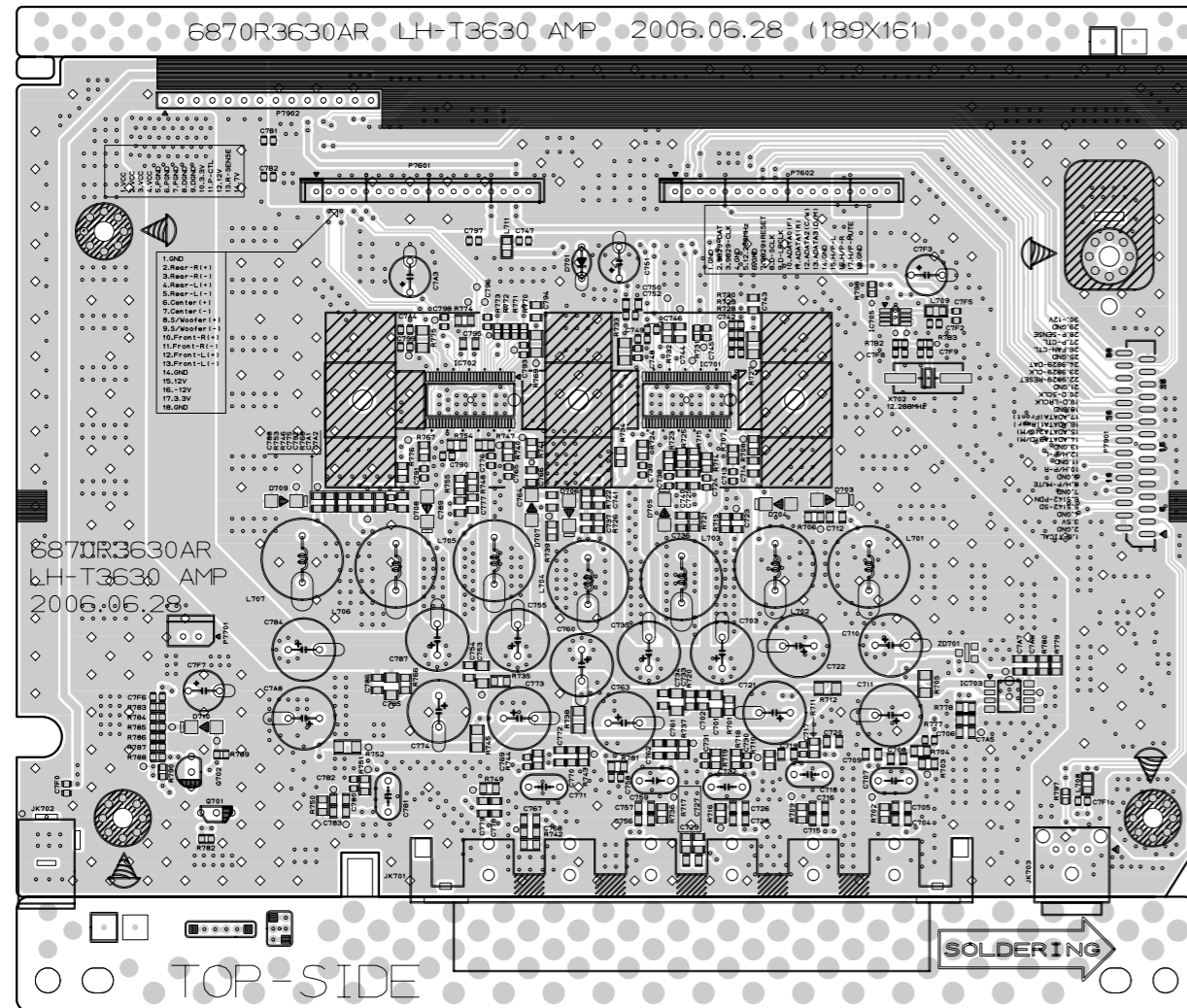
(TOP VIEW)



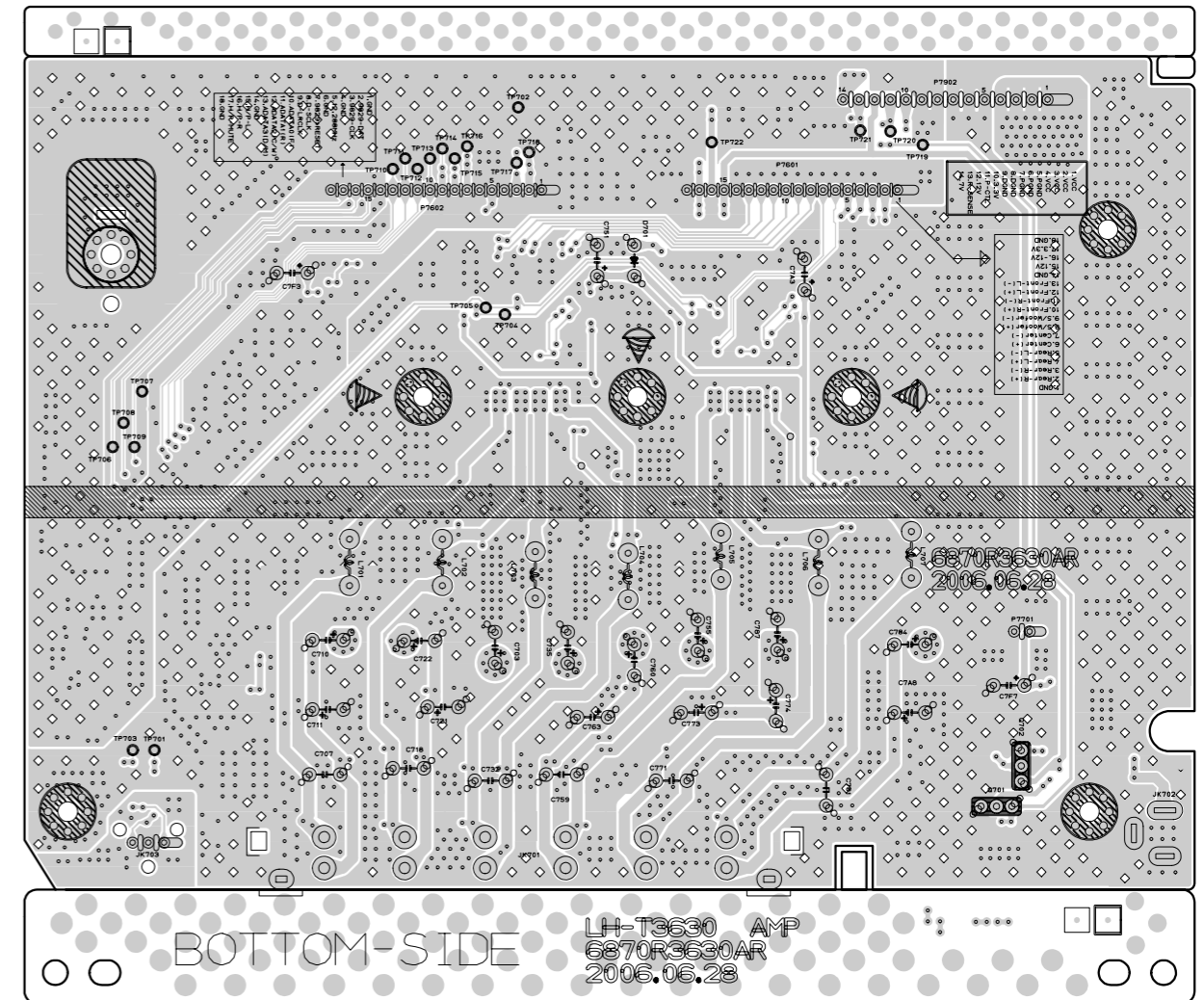
(BOTTOM VIEW)



**2. AMP P.C. BOARD DIAGRAM
(TOP VIEW)**

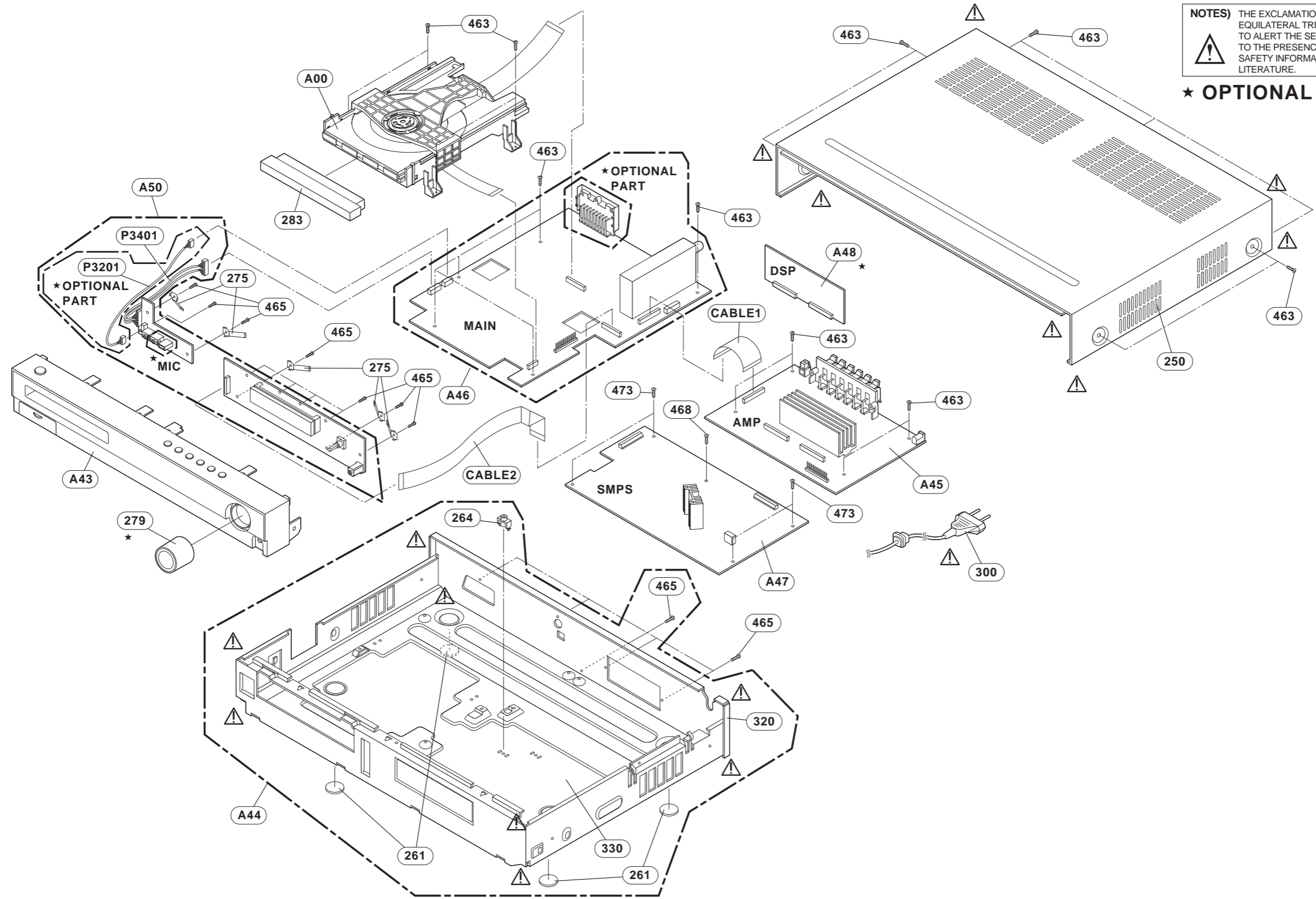


(BOTTOM VIEW)

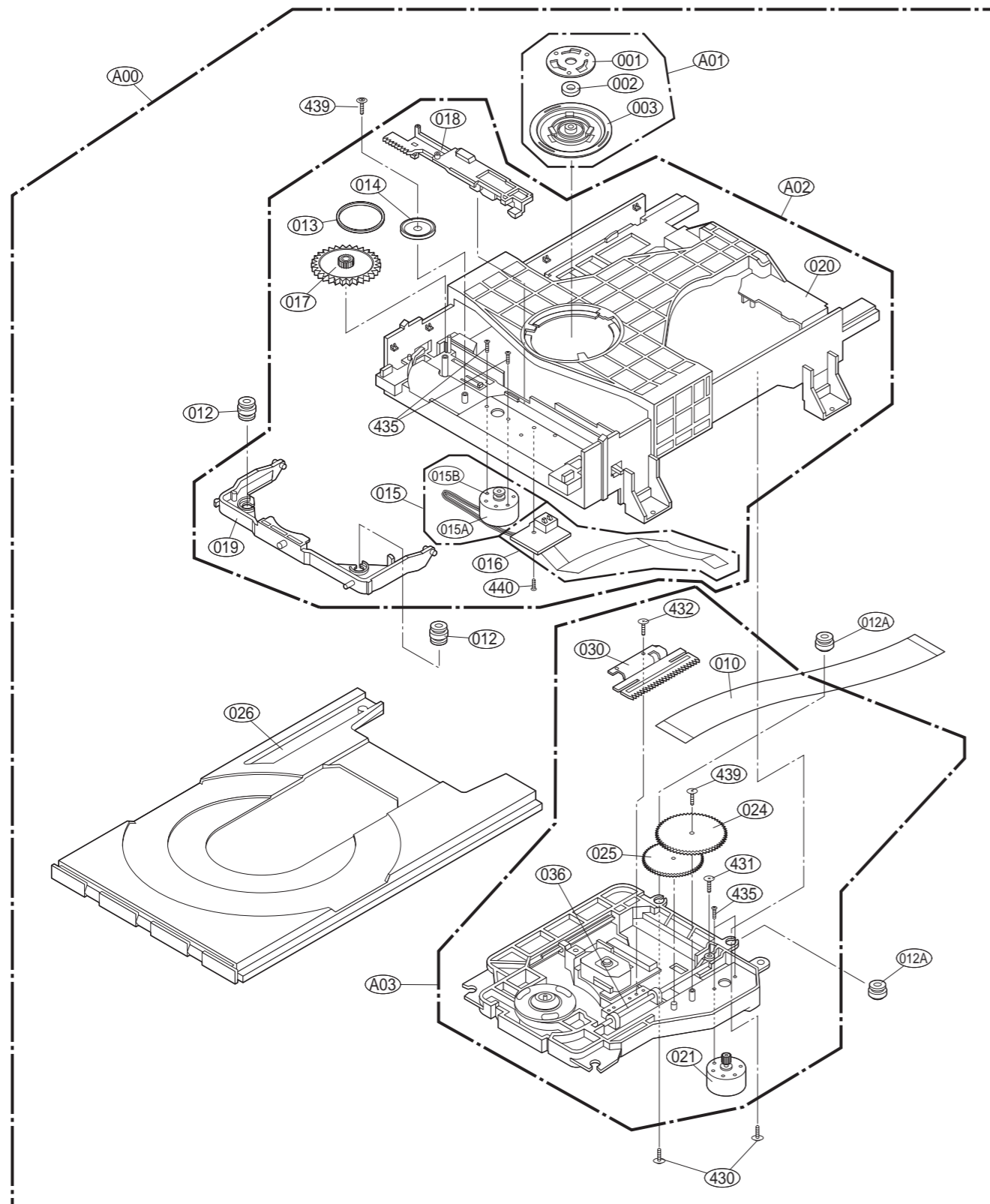


SECTION 4. EXPLODED VIEWS

• CABINET AND MAIN FRAME SECTION

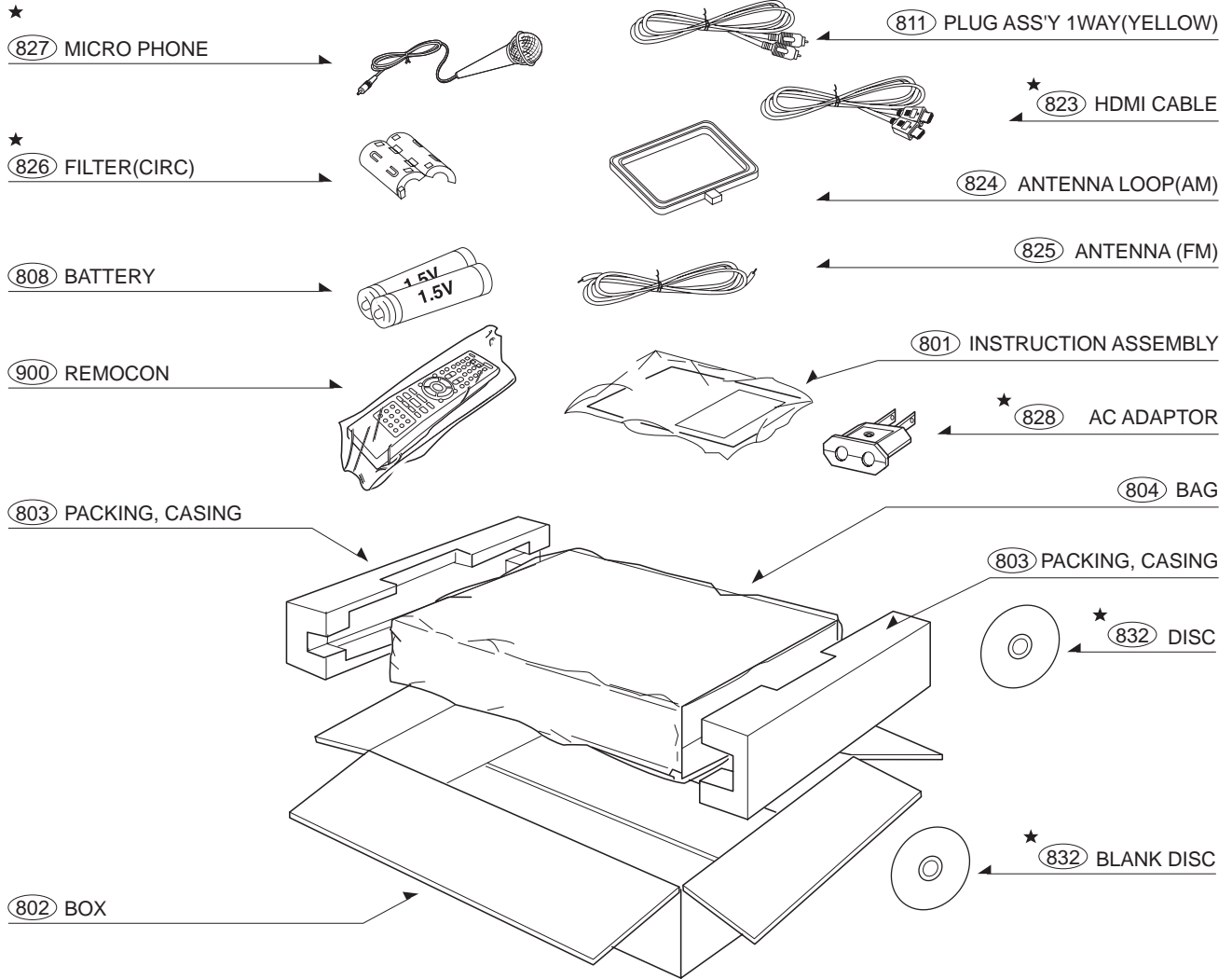


• DECK MECHANISM EXPLODED VIEW(DP-10T)



• Packing Accessory Section

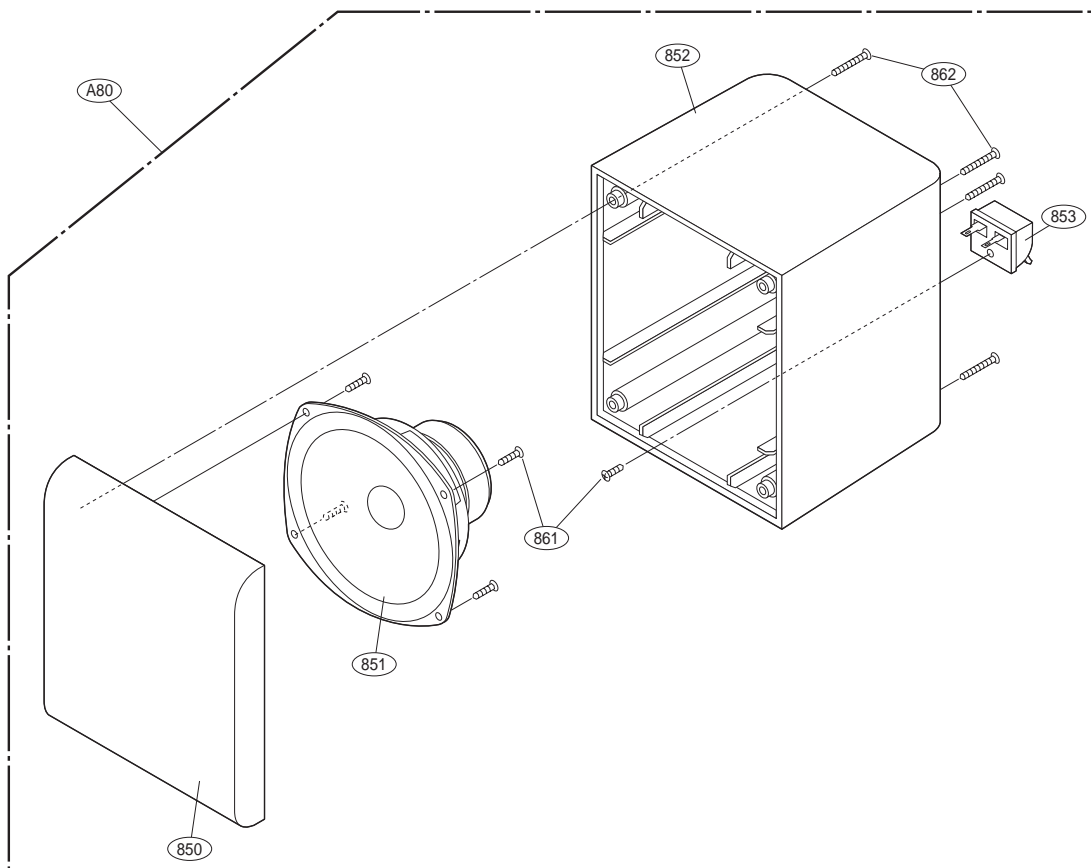
★ OPTIONAL PART



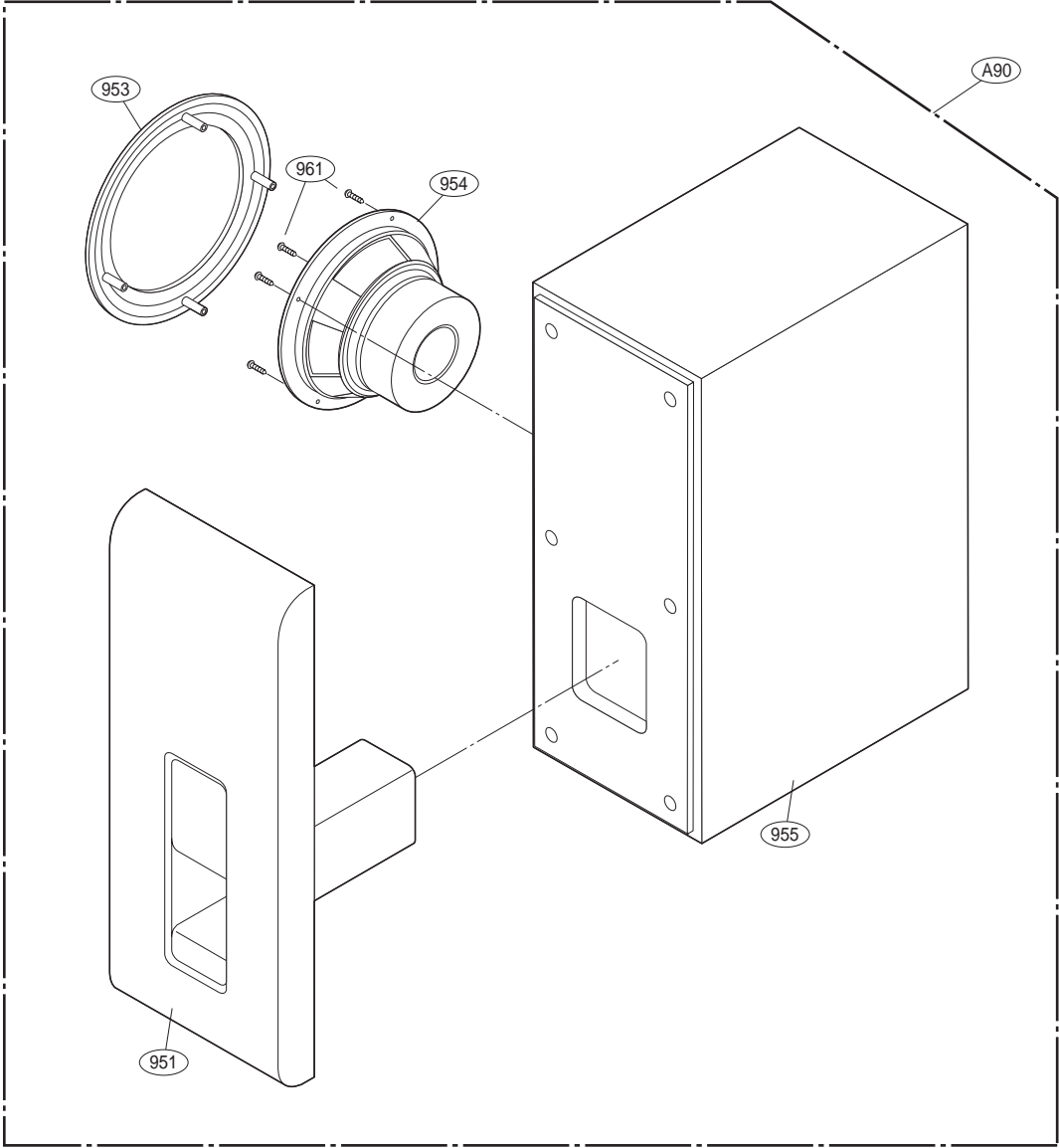
SECTION 5. SPEAKER SECTION

1. LHS-26SG/LHS-26SQ

- SATELLITE SPEAKER(LHS-26SGS/LHS-26SQS)

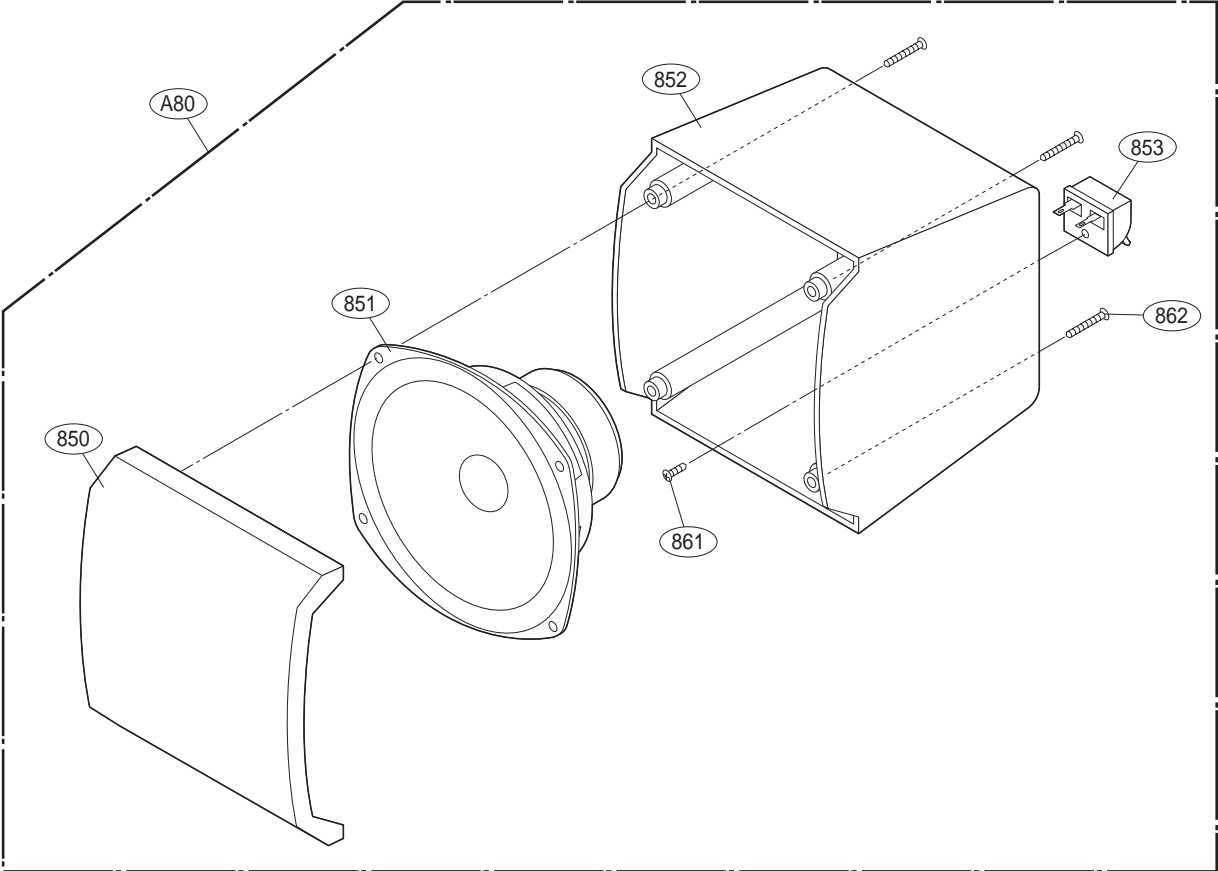


• PASSIVE SUBWOOFER SPEAKER(LHS-26SGW/LHS-26SQW)

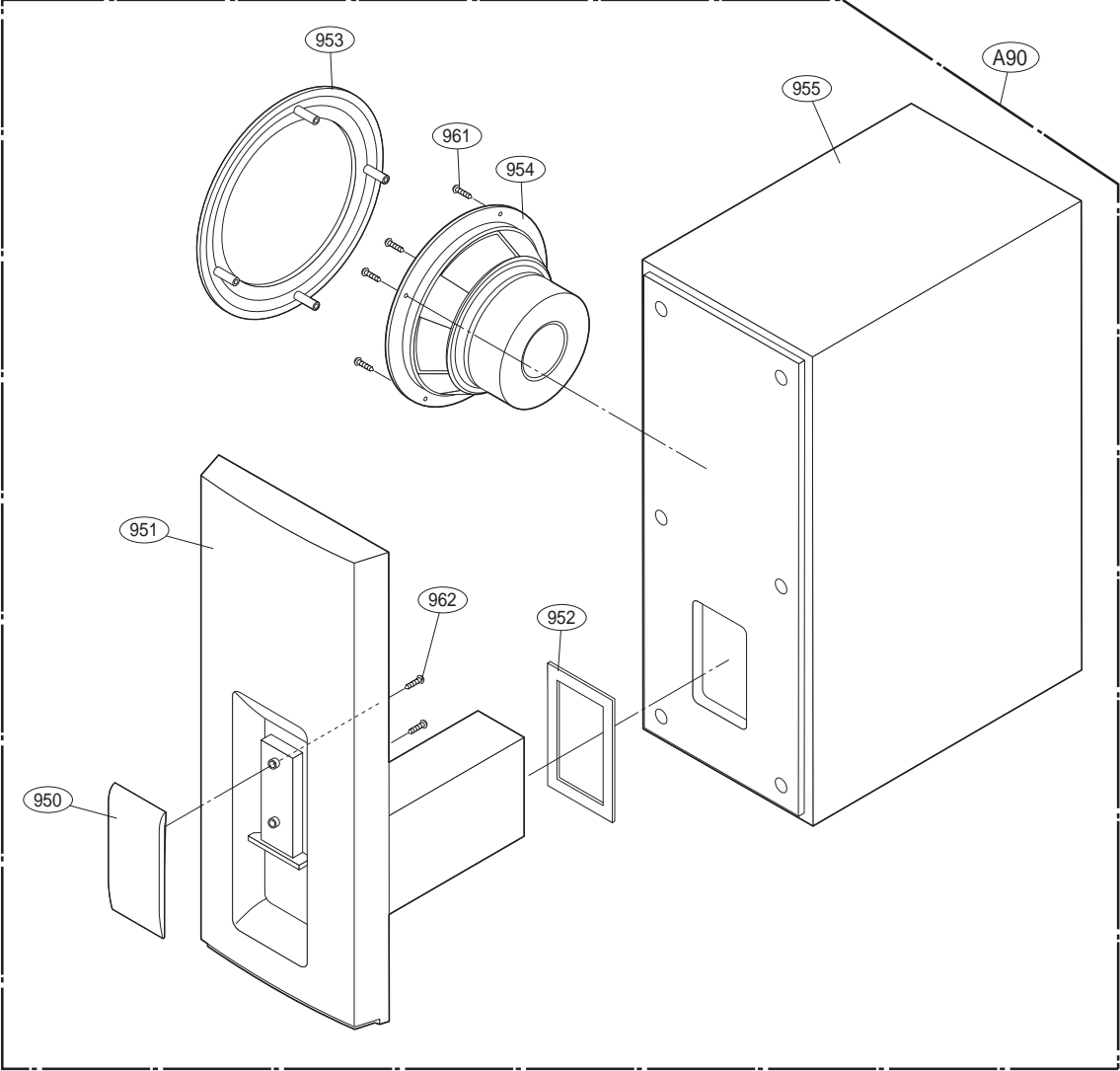


2. LHS-26SH

• SATELLITE SPEAKER(LHS-26SHS)



• PASSIVE SUBWOOFER SPEAKER(LHS-26SHW)



MEMO

A series of horizontal dotted lines for writing.