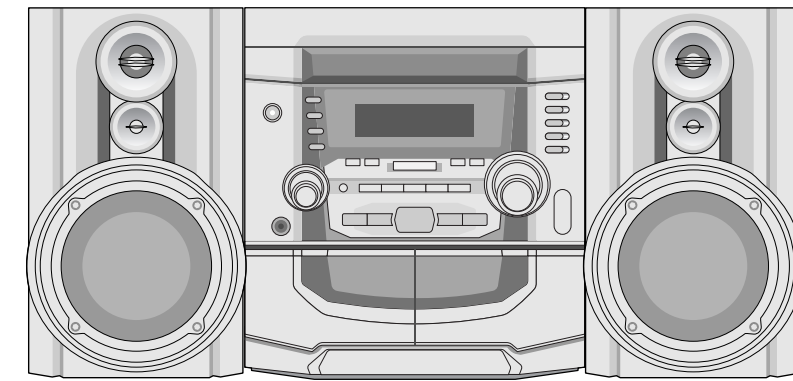


SERVICE MANUAL MODEL: LM-M245X, LMS-M245



# 3CD CHANGER HI-FI SYSTEM **SERVICE MANUAL**

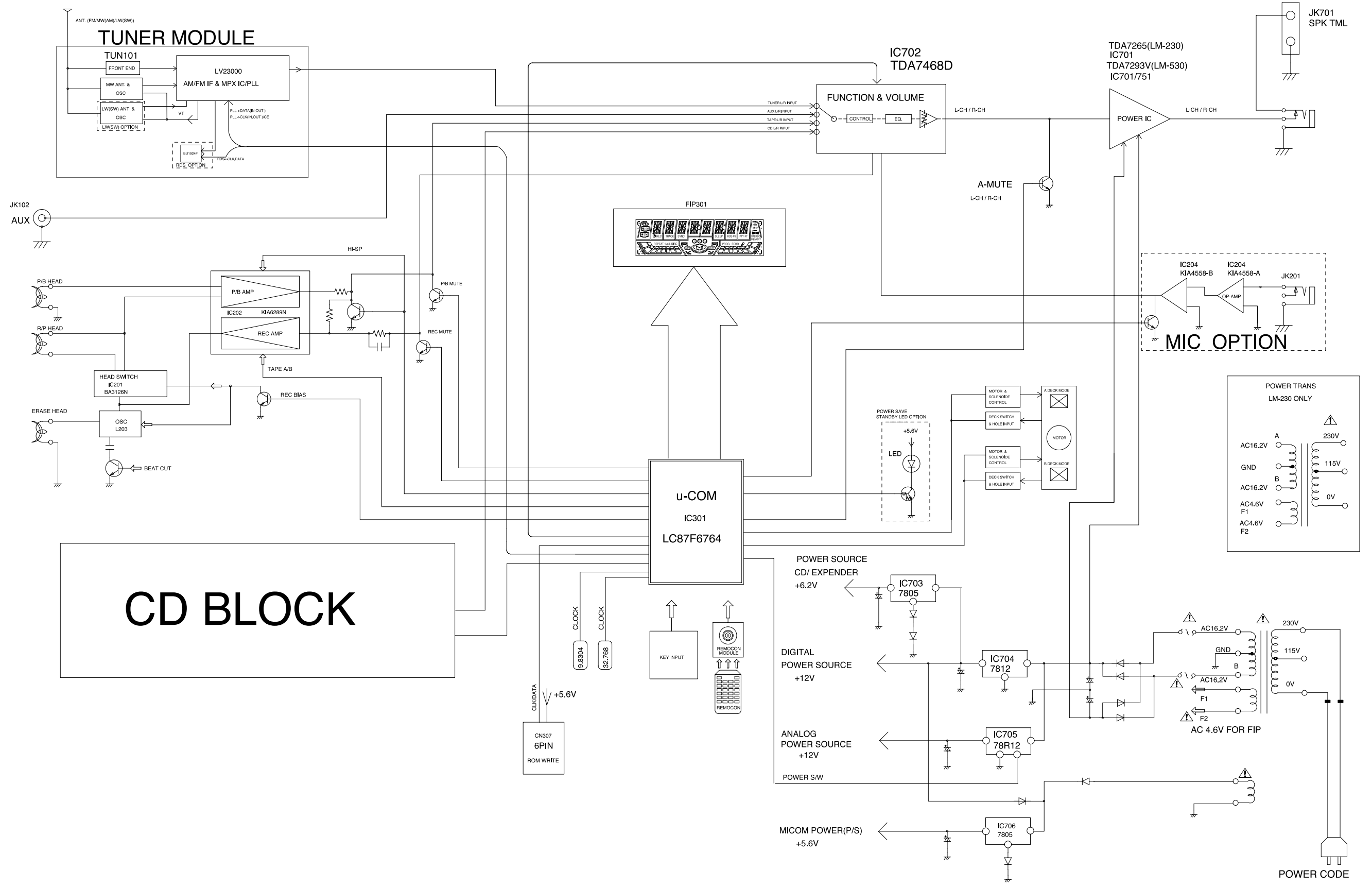


**MODEL: LM-M245X, LMS-M245**

# BLOCK DIAGRAM

**NOTE: Warning**  
 ⚠️ Parts that are shaded are critical With respect to risk of fire or electrical shock.

**NOTE:**  
 1. Shaded(■) parts are critical for safety. Replace only with specified part number.  
 2. Voltages are DC-measured with a digital voltmeter during Play mode.



# SCHEMATIC DIAGRAMS

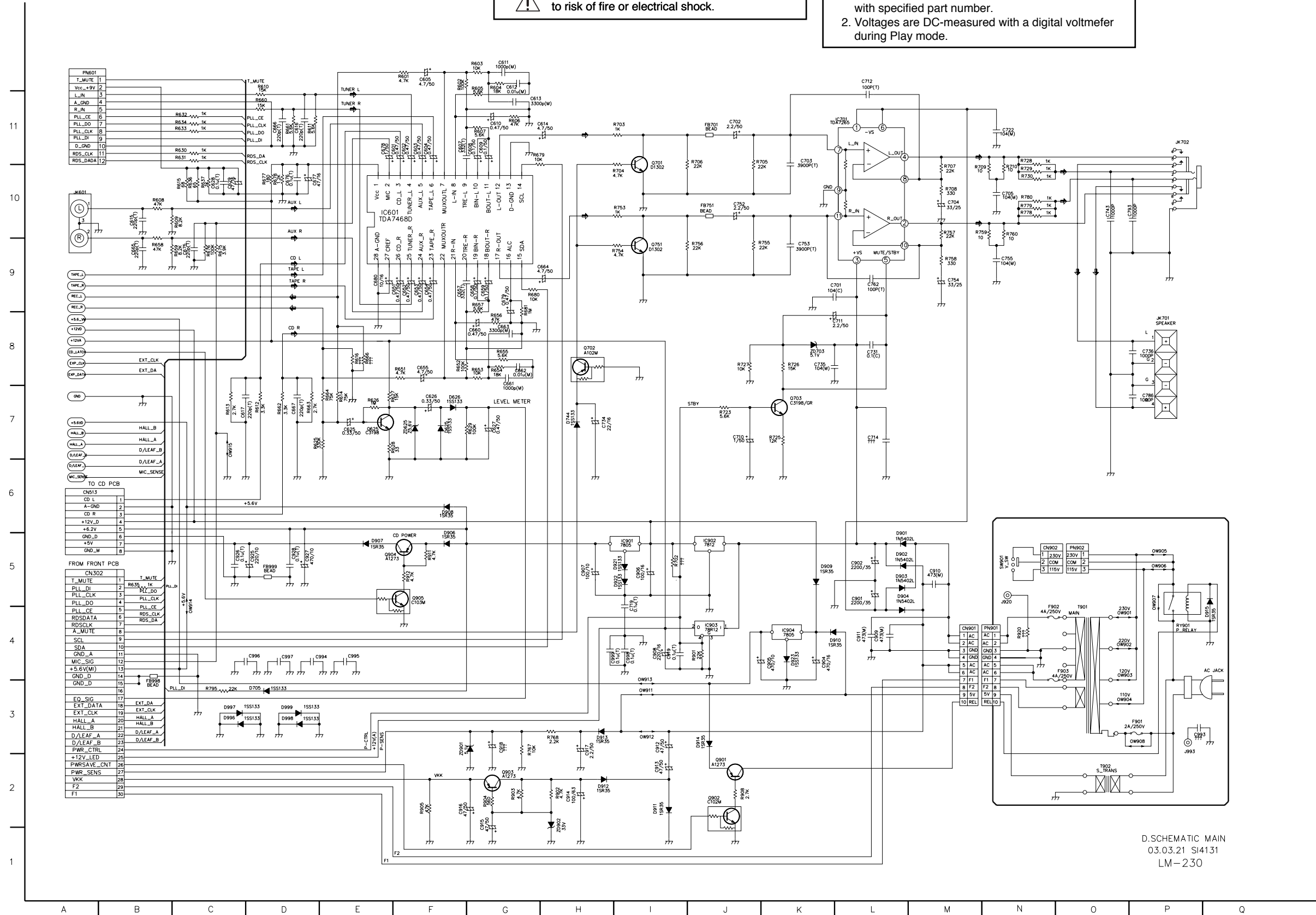
## • MAIN SCHEMATIC DIAGRAM

**NOTE: Warning**

Parts that are shaded are critical With respect to risk of fire or electrical shock.

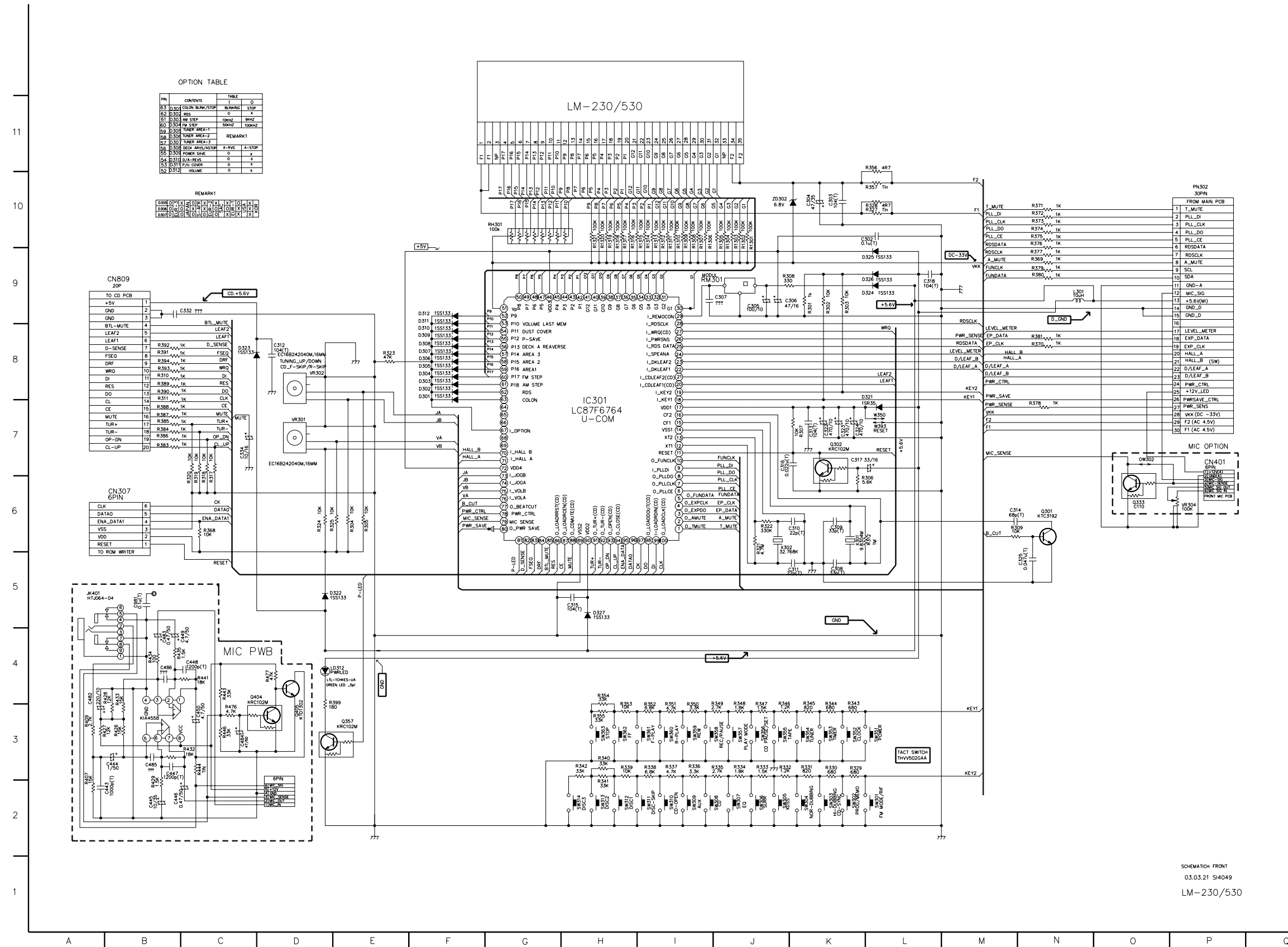
**NOTE:**

1. Shaded(■) parts are critical for safety. Replace only with specified part number.
2. Voltages are DC-measured with a digital voltmeter during Play mode.



D.SCHEMATIC MAIN  
03.03.21 SI4131  
LM-230

# FRONT SCHEMATIC DIAGRAM



OPTION TABLE

PN	CONTENTS	TABLE	
03	0301 COLOR BLANK/STOP	BLANKING	STOP
04	0302 ROS		X
05	0303 FM STEP	100HZ	
06	0304 FM STEP	500HZ	100HZ
07	0305 TUNER AREA-1		
08	0306 TUNER AREA-2		
09	0307 TUNER AREA-3		
10	0308 DECK REV/AUTOM	A-REV	A-STOP
11	0309 POWER SAVE		X
12	0310 D/A-REV		X
13	0311 PAZ COVER		X
14	0312 VOLUME		X

REMARK1

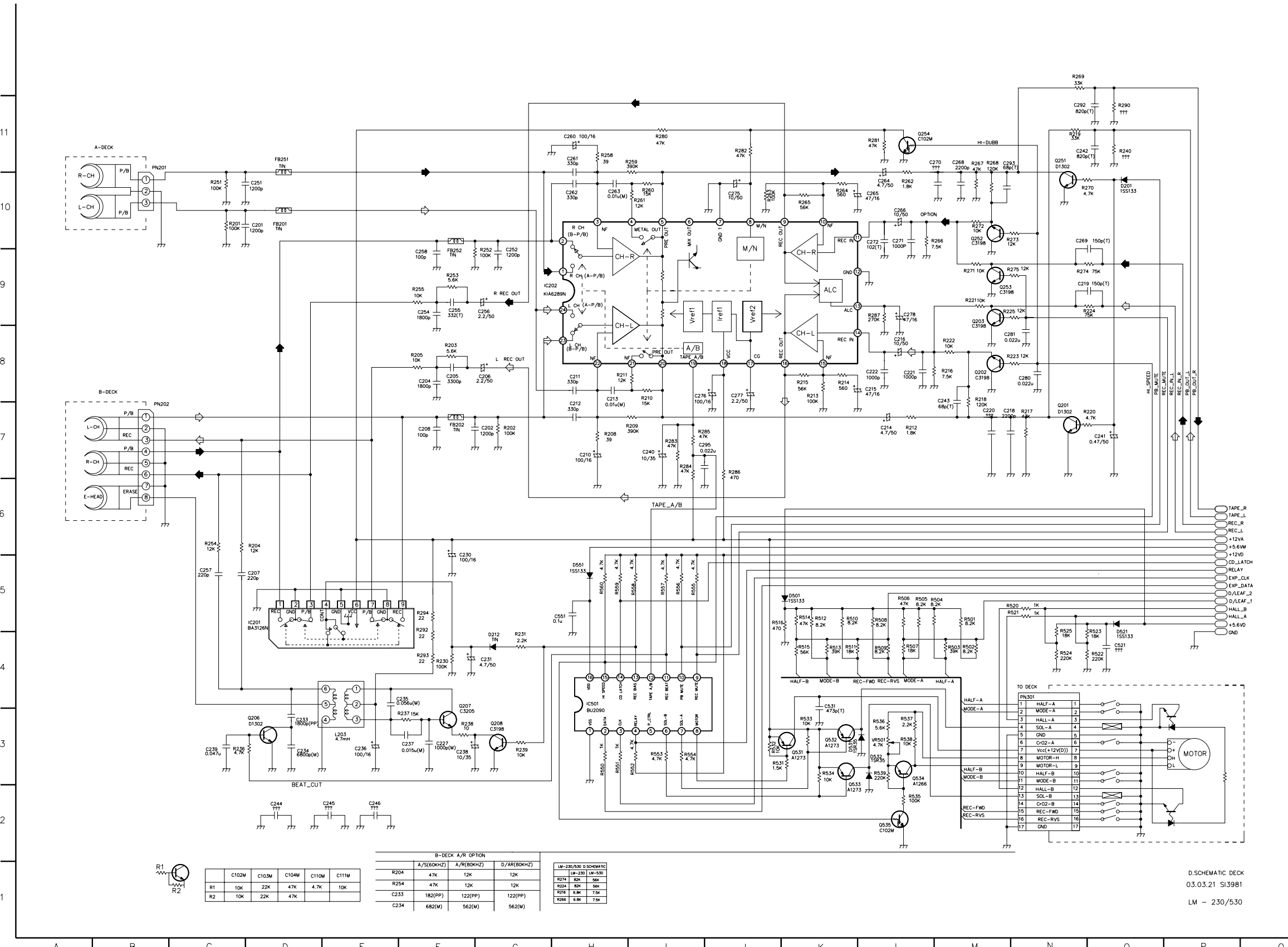
0301	0302	0303	0304	0305	0306	0307	0308	0309	0310	0311	0312
○	○	○	○	○	○	○	○	○	○	○	○
○	○	○	○	○	○	○	○	○	○	○	○

LOCATION GUIDE

C302	K10	R321	J5	SW363	H3
C303	K10	R322	J6	VKK	M7
C304	K10	R323	E8	VKK	M9
C305	J9	R324	D6	VR301	D7
C306	J9	R325	E6	VR302	D8
C307	J9	R327	L10	VR304	P6
C308	K5	R328	L10	W350	L7
C309	K6	R329	K3	W353	L7
C310	J6	R330	K3	WRO	L8
C311	J5	R331	K3	WRO	C8
C312	D8	R332	J3	X301	K6
C313	K7	R333	J3	X302	J6
C314	M6	R334	J3	ZD302	J10
C315	H5	R335	I3		
C316	J7	R336	I3		
C317	K7	R337	I3		
C318	L9	R338	I3		
C319	K7	R339	H3		
C320	K7	R340	H3		
C321	K7	R341	H2		
C322	K7	R342	H3		
C323	N9	R343	K3		
C324	B5	R344	K3		
C325	N5	R345	K3		
C326	B3	R346	J3		
C327	B2	R347	J3		
C328	B2	R348	J3		
C329	B2	R349	J3		
C330	B2	R350	I3		
C331	B2	R351	I3		
C332	B2	R352	I3		
C333	B2	R353	H3		
C334	B2	R354	H4		
C335	B2	R355	H3		
C336	B3	R356	L11		
C337	B4	R357	L10		
C338	B5	R358	C6		
C339	B5	R359	N9		
C340	B7	R360	N10		
C341	B7	R361	N10		
C342	B7	R362	N10		
C343	B7	R363	N10		
C344	B7	R364	N10		
C345	B7	R365	N7		
C346	B7	R366	N7		
C347	B7	R367	N9		
C348	B7	R368	N9		
C349	B7	R369	N8		
C350	B7	R370	N8		
C351	B7	R371	N10		
C352	B7	R372	N10		
C353	B7	R373	N10		
C354	B7	R374	N10		
C355	B7	R375	N10		
C356	B7	R376	N10		
C357	B7	R377	N9		
C358	B7	R378	N7		
C359	B7	R379	N9		
C360	B7	R380	N9		
C361	B7	R381	N8		
C362	B7	R382	B7		
C363	B7	R383	B7		
C364	B7	R384	B7		
C365	B7	R385	B7		
C366	B7	R386	B7		
C367	B7	R387	B7		
C368	B7	R388	B7		
C369	B7	R389	B8		
C370	B7	R390	B8		
C371	B7	R391	B8		
C372	B7	R392	B8		
C373	B7	R393	B8		
C374	B7	R394	B8		
C375	B7	R395	B8		
C376	B7	R396	D3		
C377	B7	R397	D3		
C378	B7	R398	D3		
C379	B7	R399	D3		
C380	B7	R400	A2		
C381	B7	R401	A3		
C382	B7	R402	B3		
C383	B7	R403	B3		
C384	B7	R404	B3		
C385	B7	R405	B4		
C386	B7	R406	B4		
C387	B7	R407	B4		
C388	B7	R408	C3		
C389	B7	R409	C3		
C390	B7	R410	C3		
C391	B7	R411	C3		
C392	B7	R412	C3		
C393	B7	R413	C3		
C394	B7	R414	C3		
C395	B7	R415	C3		
C396	B7	R416	C3		
C397	B7	R417	C3		
C398	B7	R418	C3		
C399	B7	R419	C3		
C400	B7	R420	C6		
C401	B7	R421	H2		
C402	B7	R422	H2		
C403	B7	R423	H2		
C404	B7	R424	H2		
C405	B7	R425	H2		
C406	B7	R426	H2		
C407	B7	R427	H2		
C408	B7	R428	H2		
C409	B7	R429	H2		
C410	B7	R430	H2		
C411	B7	R431	H2		
C412	B7	R432	H2		
C413	B7	R433	H2		
C414	B7	R434	H2		
C415	B7	R435	H2		
C416	B7	R436	H2		
C417	B7	R437	H2		
C418	B7	R438	H2		
C419	B7	R439	H2		
C420	B7	R440	H2		
C421	B7	R441	H2		
C422	B7	R442	H2		
C423	B7	R443	H2		
C424	B7	R444	H2		
C425	B7	R445	H2		
C426	B7	R446	H2		
C427	B7	R447	H2		
C428	B7	R448	H2		
C429	B7	R449	H2		
C430	B7	R450	H2		
C431	B7	R451	H2		
C432	B7	R452	H2		
C433	B7	R453	H2		
C434	B7	R454	H2		
C435	B7	R455	H2		
C436	B7	R456	H2		
C437	B7	R457	H2		
C438	B7	R458	H2		
C439	B7	R459	H2		
C440	B7	R460	H2		
C441	B7	R461	H2		
C442	B7	R462	H2		
C443	B7	R463	H2		
C444	B7	R464	H2		
C445	B7	R465	H2		
C446	B7	R466	H2		
C447	B7	R467	H2		
C448	B7	R468	H2		
C449	B7	R469	H2		
C450	B7	R470	H2		
C451	B7	R471	H2		
C452	B7	R472	H2		
C453	B7	R473	H2		
C454	B7	R474	H2		
C455	B7	R475	H2		
C456	B7	R476	H2		
C457	B7	R477	H2		
C458	B7	R478	H2		
C459	B7	R479	H2		
C460	B7	R480	H2		
C461	B7	R481	H2		
C462	B7	R482	H2		
C463	B7	R483	H2		
C464	B7	R484	H2		
C465	B7	R485	H2		
C466	B7	R486	H2		
C467	B7	R487	H2		
C468	B7	R488	H2		
C469	B7	R489	H2		
C470	B7	R490	H2		
C471	B7	R491	H2		
C472	B7	R492	H2		
C473	B7	R493	H2		
C474	B7	R494	H2		
C475	B7	R495	H2		
C476	B7	R496	H2		
C477	B7	R497	H2		
C478	B7	R498	H2		
C479	B7	R499	H2		
C480	B7	R500	H2		
C481	B7	R501	H2		
C482	B7	R502	H2		
C483	B7	R503	H2		
C484	B7	R504	H2		
C485	B7	R505	H2		
C486	B7	R506	H2		
C487	B7	R507	H2		
C488	B7	R508	H2		
C489	B7	R509	H2		
C490	B7	R510	H2		
C491	B7	R511	H2		
C492	B7	R512	H2		
C493	B7	R513	H2		
C494	B7	R514	H2		
C495	B7	R515	H2		
C496	B7	R516	H2		
C497	B7	R517	H2		
C498	B7	R518	H2		
C499	B7	R519	H2		
C500	B7	R520	H2		

SCHEMATIC FRONT  
03.03.21 SI4049  
LM-230/530

# TUNER/DECK SCHEMATIC DIAGRAM



## LOCATION GUIDE

C201	D10	R209	H7
C202	G7	R210	H8
C204	F8	R211	H8
C205	F8	R212	L7
C206	G8	R213	K8
C207	D5	R214	K8
C208	F7	R215	K8
C210	H7	R216	M8
C211	H8	R217	N7
C212	H7	R218	M8
C213	H8	R219	N11
C214	L7	R220	N7
C215	L8	R221	M9
C216	L8	R222	M8
C218	M7	R223	M8
C219	N9	R224	N9
C220	M7	R225	M9
C221	L8	R226	F4
C222	L8	R227	M9
C227	F3	R231	G4
C230	F5	R232	C3
C231	G4	R233	E3
C233	D3	R234	F3
C234	D3	R235	G3
C235	E4	R236	C10
C236	E3	R237	G9
C237	F3	R238	F9
C238	F3	R239	C6
C239	C3	R240	F9
C240	I7	R241	H11
C241	O7	R242	H11
C242	N11	R243	I10
C243	M7	R244	I10
C244	D2	R245	L10
C245	E2	R246	J10
C246	E2	R247	K10
C251	D10	R248	K10
C252	G9	R249	L10
C254	F9	R250	M11
C255	F9	R251	M11
C256	G9	R252	N12
C257	C5	R253	N10
C258	F9	R254	M9
C260	H11	R255	M10
C261	H11	R256	M10
C262	H10	R257	N9
C263	H10	R258	M9
C264	L10	R259	I11
C265	L10	R260	I11
C266	L10	R261	J11
C268	N10	R262	I7
C269	N10	R263	I7
C270	L11	R264	J7
C271	L10	R265	I7
C272	L10	R266	L9
C275	J10	R267	O11
C276	I8	R268	F5
C277	J8	R269	F4
C278	L9	R270	F5
C280	N8	R271	M5
C281	M8	R272	M4
C282	M8	R273	M4
C292	N11	R274	L5
C293	M11	R275	M5
C295	I7	R276	L5
C521	O4	R277	L5
C531	K4	R278	L4
C551	H5	R279	L4
D201	O10	R280	L4
D212	G4	R281	L5
D501	K5	R282	K4
D521	O4	R283	K4
D531	L3	R284	K4
D532	K3	R285	K4
D551	H5	R286	K4
FB201	D10	R287	M5
FB202	F7	R288	J5
FB251	D11	R289	M5
FB252	F9	R290	O4
IC201	D5	R291	O4
IC202	G9	R292	N4
IC501	H4	R293	N4
L203	E3	R294	J3
PN201	B11	R295	J3
PN202	B7	R296	K3
PN301	N4	R297	K3
Q201	N7	R298	L2
Q202	M8	R299	L3
Q203	M9	R300	L3
Q206	F4	R301	L3
Q207	F4	R302	L3
Q208	G3	R303	H3
Q251	N11	R304	H3
Q252	M10	R305	I3
Q253	M9	R306	I3
Q254	L11	R307	I3
Q531	K3	R308	I5
Q532	K3	R309	I5
Q533	K2	R310	I5
Q534	L3	R311	I5
Q535	L2	R312	H5
R201	C10	R313	H5
R202	G7	R314	L3
R203	F8	R315	L3
R204	F8		
R205	D6		
R208	H7		

B-DECK A/R OPTION			
	A/S(60KHZ)	A/R(80KHZ)	D/AR(80KHZ)
R204	47K	12K	12K
R254	47K	12K	12K
C233	182(PP)	122(PP)	122(PP)
C234	682(M)	562(M)	562(M)

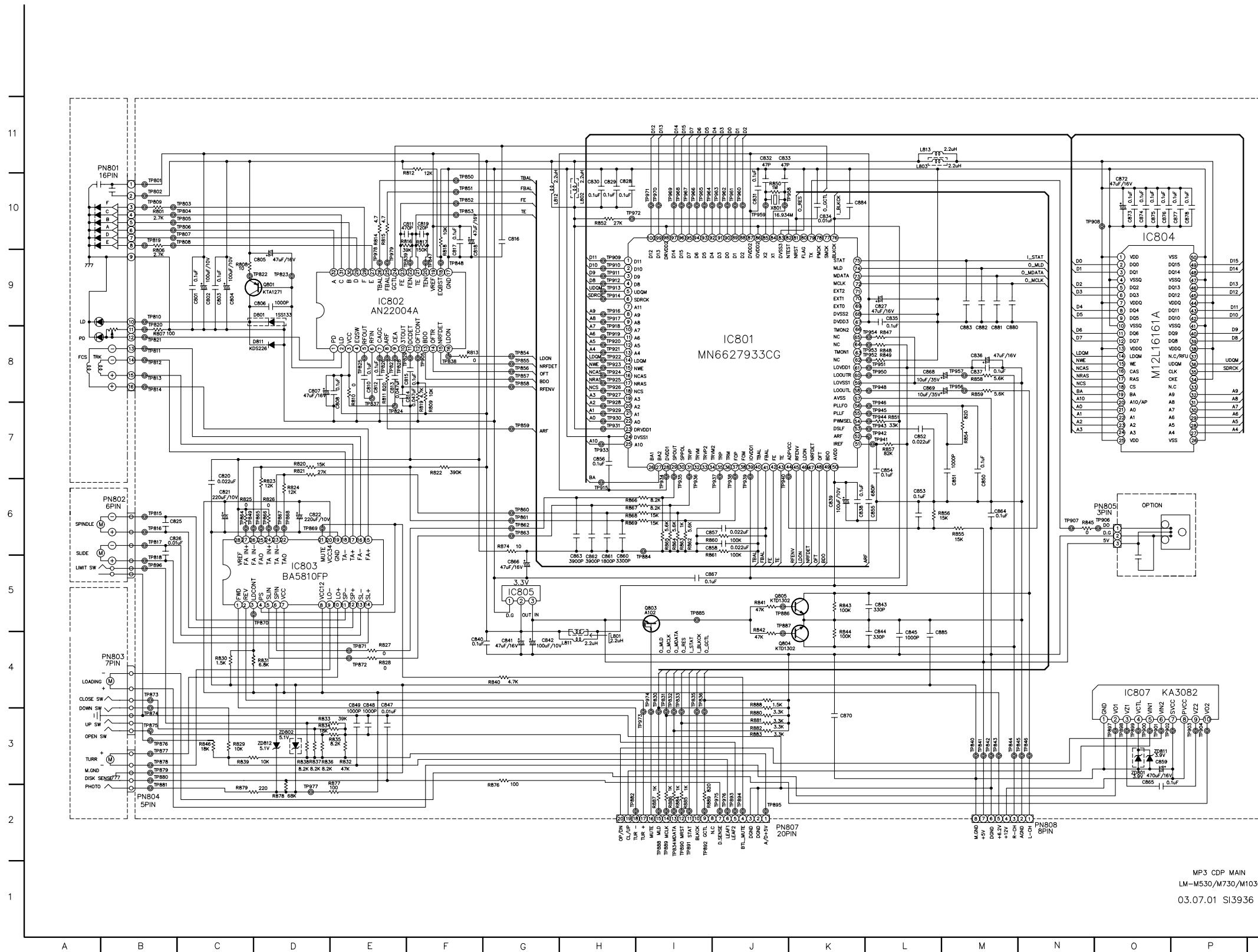
LM-230/S30 S-SCHEMATIC		
	LM-230	LM-530
R214	82K	56K
R216	68K	75K
R266	68K	75K

D.SCHEMATIC DECK  
03.03.21 SI3981  
LM - 230/530

# • CDP SCHEMATIC DIAGRAM


## LOCATION GUIDE

C801	C9	R810	E7	TP828	F8	TP930	H7
C802	C9	R811	F7	TP829	F8	TP931	H7
C803	C9	R812	F10	TP830	I4	TP933	H7
C804	D9	R813	G8	TP831	I4	TP934	H6
C805	D9	R814	E10	TP832	I4	TP935	H6
C806	D9	R815	F10	TP833	I4	TP936	H6
C807	E8	R816	F10	TP834	I2	TP937	H6
C808	E7	R817	F10	TP835	J4	TP938	H6
C810	E8	R818	F9	TP836	J4	TP939	H6
C811	F10	R819	F9	TP837	E7	TP940	H6
C812	E8	R820	D7	TP838	F8	TP941	L7
C813	F8	R821	D7	TP839	F9	TP942	L7
C814	F8	R822	F7	TP840	M3	TP943	L7
C815	F8	R823	D6	TP841	M3	TP944	L7
C816	G10	R824	D6	TP842	M3	TP945	L7
C817	F9	R825	D6	TP843	N3	TP946	L7
C818	G9	R826	D6	TP844	N3	TP948	L8
C819	F10	R827	E4	TP845	N3	TP950	L8
C820	N7	R828	E4	TP846	N3	TP951	L8
C821	C6	R829	D3	TP847	F9	TP952	L8
C822	E6	R830	C4	TP848	F9	TP953	L8
C825	C6	R831	D4	TP849	D6	TP954	L8
C826	C6	R832	E3	TP850	F10	TP956	M8
C827	L9	R833	E3	TP851	F10	TP957	M8
C828	H10	R834	E3	TP852	F10	TP958	K10
C829	H10	R835	E3	TP853	F10	TP959	J10
C830	H10	R836	E3	TP854	G8	TP960	J10
C831	J10	R837	E3	TP855	G8	TP961	J10
C832	J11	R838	G8	TP856	G8	TP962	J10
C833	K11	R839	D3	TP857	G8	TP963	J10
C834	K10	R840	G4	TP858	G8	TP964	J10
C835	L9	R841	J5	TP859	G7	TP965	J10
C836	M8	R842	J5	TP860	G6	TP966	J10
C837	M8	R843	K5	TP861	G6	TP967	I10
C838	L6	R844	K4	TP862	G6	TP968	I10
C839	K6	R845	O6	TP863	G6	TP969	I10
C840	G4	R846	C3	TP864	D6	TP970	I10
C841	G4	R847	L8	TP865	D6	TP971	I10
C842	H4	R848	L8	TP866	D6	TP972	I10
C843	L5	R849	L8	TP867	D6	TP973	I3
C844	L4	R850	K10	TP868	D6	TP974	I4
C845	L4	R851	L7	TP869	D6	TP975	J2
C846	E4	R852	H10	TP870	D5	TP976	J2
C847	E4	R853	M7	TP871	E4	TP977	E2
C848	E4	R854	M6	TP872	E4	TP978	E9
C849	E4	R855	M6	TP873	B4	TP979	F9
C850	M6	R856	M6	TP874	B3	TP980	H9
C851	M6	R857	L7	TP875	B3	TP981	H9
C852	L7	R858	M8	TP876	B3	TP982	H9
C853	L6	R859	M6	TP877	C3	ZD801	O3
C854	L7	R860	J6	TP878	C3	ZD802	O3
C855	L6	R861	J5	TP879	C3	ZD811	P3
C856	H7	R862	J6	TP880	C3	ZD812	D3
C857	J6	R863	I6	TP881	C2		
C858	J6	R864	I6	TP882	I2		
C859	P3	R865	I6	TP883	I2		
C860	I5	R866	I6	TP884	I5		
C861	H5	R867	I6	TP885	J5		
C862	H5	R868	I6	TP886	K5		
C863	H5	R869	I6	TP887	K5		
C864	M6	R874	G6	TP888	I2		
C865	O3	R876	G2	TP889	I2		
C866	G5	R877	E2	TP890	I2		
C867	J5	R878	D2	TP891	J2		
C868	M8	R879	D2	TP892	J2		
C869	M8	R880	J3	TP893	J2		
C870	K3	R881	J3	TP894	J2		
C872	O10	R882	J3	TP895	K2		
C873	O10	R883	J3	TP896	B5		
C874	O10	R884	I2	TP897	O3		
C875	P10	R885	I2	TP898	O3		
C876	P10	R886	I2	TP899	O3		
C877	P10	R887	I2	TP900	O3		
C878	P10	R888	J4	TP901	P3		
C880	N8	R889	J2	TP902	P3		
C881	M8	TP801	B10	TP903	P3		
C882	M8	TP802	B10	TP904	P3		
C883	M8	TP803	C10	TP905	F8		
C884	L10	TP804	C10	TP906	O6		
C885	M4	TP805	C10	TP907	N6		
IC801	J8	TP806	C10	TP908	O10		
IC802	E9	TP807	C10	TP909	H9		
IC803	D5	TP808	C10	TP910	H9		
IC804	O10	TP809	B10	TP911	H9		
IC805	O5	TP810	B9	TP912	H9		
IC807	O4	TP811	B8	TP913	H9		
PN801	B11	TP812	B8	TP914	H9		
PN802	B6	TP813	B8	TP915	H6		
PN803	B4	TP814	B8	TP916	H9		
PN804	B2	TP815	B6	TP917	H8		
PN805	O6	TP816	B6	TP918	H8		
PN807	K2	TP817	B6	TP919	H8		
PN808	N2	TP818	B5	TP920	H8		
Q801	D9	TP819	S10	TP921	H8		
Q803	K5	TP820	B8	TP922	H8		
Q804	K4	TP821	B8	TP923	H8		
Q805	K5	TP822	D9	TP924	H8		
R801	B10	TP823	D9	TP925	H8		
R806	B9	TP824	F7	TP926	H8		
R807	B8	TP825	E8	TP927	H8		
R808	D9	TP826	F8	TP928	H7		
R809	F7	TP827	F8	TP929	H7		



MP3 CDP MAIN  
LM-M530/M730/M1030  
03.07.01 SI3936

# WIRING DIAGRAM

**NOTE: Warning**  
 Parts that are shaded are critical With respect to risk of fire or electrical shock.

**NOTE:**  
 1. Shaded(■) parts are critical for safety. Replace only with specified part number.  
 2. Voltages are DC-measured with a digital voltmeter during Play mode.

3CD CHANGER MECHANISM ASSY

LM-230/530 WIRING DIAGRAM

