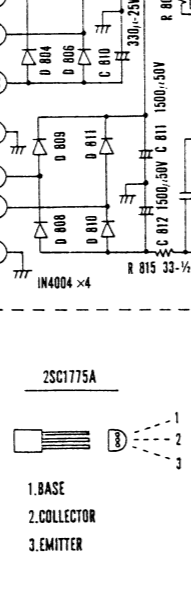


100V : 1-4 2-5 -C
 120V : 1-4 3-6 -C
 220V : 2-4 6-C
 240V : 3-4 6-C

- RIGHT CH.**
- S 001 FUNCTION
 - S 002 TAPE MONITOR
 - S 003 DUBBING
 - S 004 SUBSONIC FILTER
 - S 005 HIGH CUT FILTER
 - S 006 ATTENUATOR
 - S 007 MODE
 - S 008 POWER

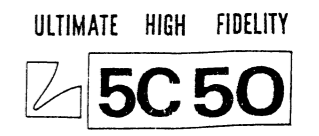
- VR 001, VR 002 PHONO IMPEDANCE
- VR 003 ATT. PRESET
- VR 004 BALANCE
- VR 005 VOLUME
- VR 006 SUBSDIP CONT.
- VR 101, VR 201 DC BALANCE



- H 101, H 201 DML-02
- Q 101, Q 102, Q 201 2SC1345
- Q 202, Q 503, Q 504 2SA836
- Q 601, Q 805, Q 806 2SC1775A
- Q 401, Q 402 2SA653, 2SA969
- Q 801 2SA653, 2SA969
- Q 804 2SC2239
- Q 501, Q 502, Q 505 2SC1345
- Q 506, Q 507, Q 602 2SC1345
- Q 701, Q 702, Q 802 2SC1345
- Q 803 2SC1345
- Q 103, Q 104, Q 203 2SC1940
- Q 204 2SC1940
- Q 508 2SA915

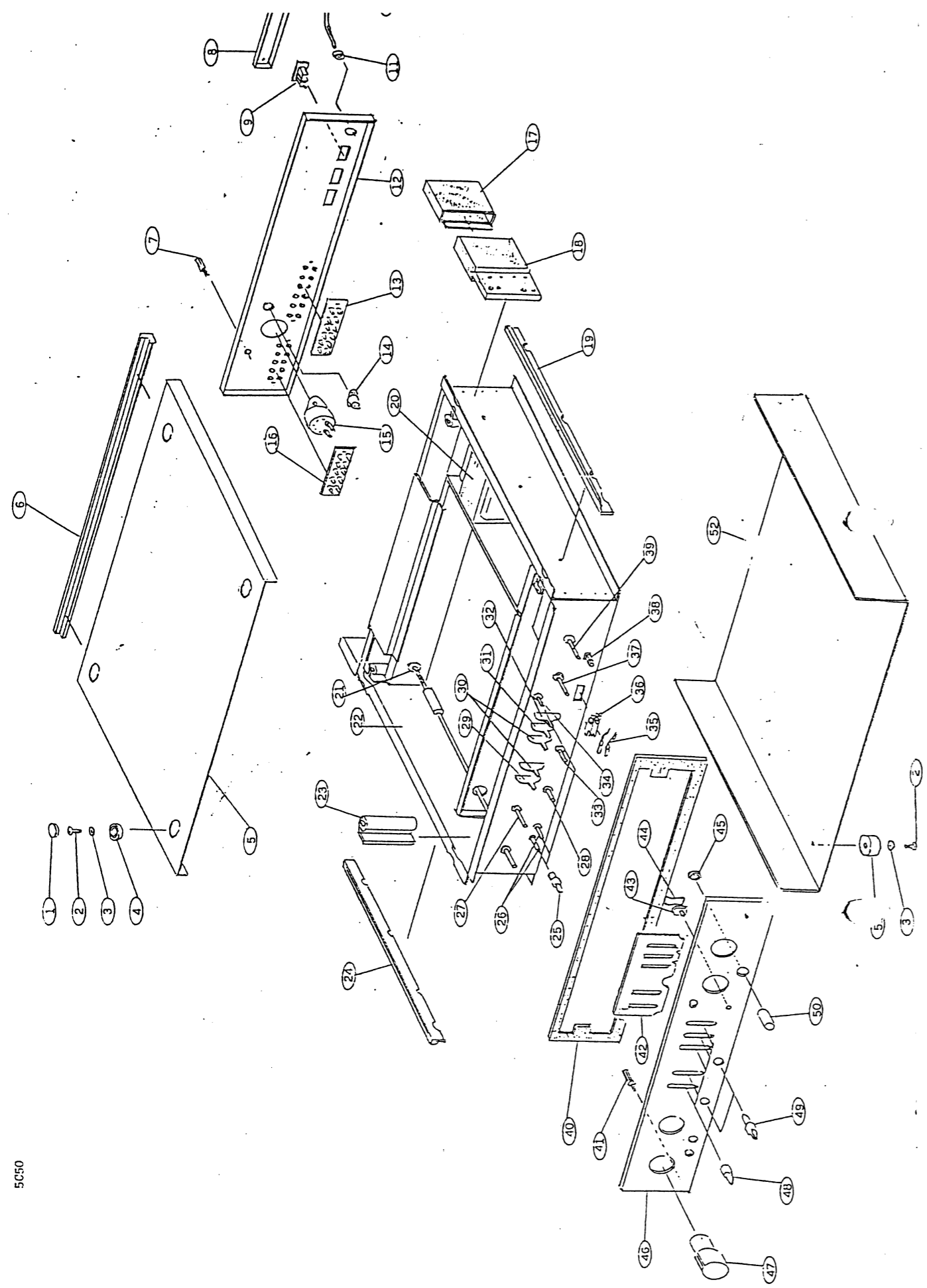
1. UNLESS OTHERWISE SPECIFIED, ALL RESISTORS ARE IN OHM 1/4 WATT. ALL CAPACITORS ARE IN FARAD.
2. TRANSISTOR AND DIODES MAY BE REPLACED WITH ANY TYPE HAVING COMPARABLE RATINGS.
3. DUE TO CONTINUED IMPROVEMENTS LUX RESERVE THE RIGHT TO ALTER THE CIRCUIT OR SPECIFICATION.

※METAL FILM RESISTOR



Exploded View Parts List
Model: 5C50

Symbol No.	Parts No.	Description	Q'ty
1	UW1073	Spacer, 1073	4
2	YAA40C14	Screw, M4x14	8
3	YWA040C	Washer, 4φ	8
4	UW1072	Spacer, 1072	4
5	UG1001	Bonnet, 1001	1
6	UN1007	Rubber, 1007	1
7	AG0063	Terminal, GND	1
8	UJ1064	Cover, 1064	1
9	AC0010	AC Socket	1
10	BK0019	AC Cord (AZ)	3
	BK0020	AC Cord (AY)	1
	BK0023	AC Cord (AG)	1
	BK0035	AC Cord (J)	1
11	BU0033	Cord Stopper (AY,J)	1
	BU0039	Cord Stopper (AG)	1
12	UC1048	Back Panel	1
13	AT0094	12P Pin Jack	1
14	AS0002	Din Connector	1
15	AS0082	MC Trans Socket	1
16	AT0095	10P Pin Jack	1
17	WC1032	Ornament Plate 1032	1
18	WC1026	Ornament Plate 1026	2
19	WC1028	Ornament Mole 1028	2
20	PT0113	Power Trans P-2105 (Mulch)	1
21	SR0074	Rotary SW. 5100 SRF-2045 (Function)	1
22	UZ1097	Shaft, 1097	1
23	UW1078	Spacer, 1078	1
24	WC1029	Ornament Mole 1029	4
25	UJ1077	Knob, Mold (Imp-Adj. Preset)	1
26	RV0112	VR, 150KAA (Imp-Adj.)	3
27	SR0073	SW, Rotary SRA2045 (EQ)	2
28	SR0075	SW, Rotary SRZ-V083 (Mode)	1
29	SLO030	SW, Lever SLA62311 (Moni)	1
30	SLO034	SW, Lever SLA66303 (Dubb,Sub)	1
31	SLO033	SW, Lever SLA64352 (High)	2
32	SLO032	SW, Lever SLA64353 (ATT)	1
33	RV0152	VR, 500KBB (fiter)	1
34	RV0150	VR, 2KAA (Preset)	1
35	AL0041	Lamp 12V 75mA	1
36	WZ1038	Holder, Lamp 1038	2
37	RV0151	V16 5100 200KMN (Blance)	1
38	SPO090	SW, Power	1
	SPO072	SW, Power (J)	1
39	RV0176	VR, WK 110 100Kx2 (VR)	1
40	WD1057	Escutcheon 1057	1
41	US1033	Stand 1033	1
42	WD1061	Escutcheon 1061	2
43	WG1014	Pilot, 1014	1
44	WU1016	Filter, 1016	1
45	WE1051	Protector, 1051	1
46	WA1073	Panel, Front	1
47	WK1092	Knob, Metal (Function,EQ,Bal,VR)	1
48	WJ1071	Knob, Mold (Moni,Dubb,Sub,Hi,Att)	4
49	WJ1076	Knob, Mold (Mode, Filter)	5
50	WJ1072	Knob, (Power)	2
51	WN1010	Foot	1
52	UE1088	Bottom Plate	4
			1



Exploded View

5C50