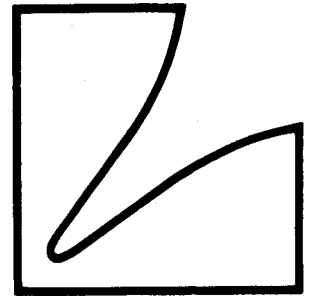
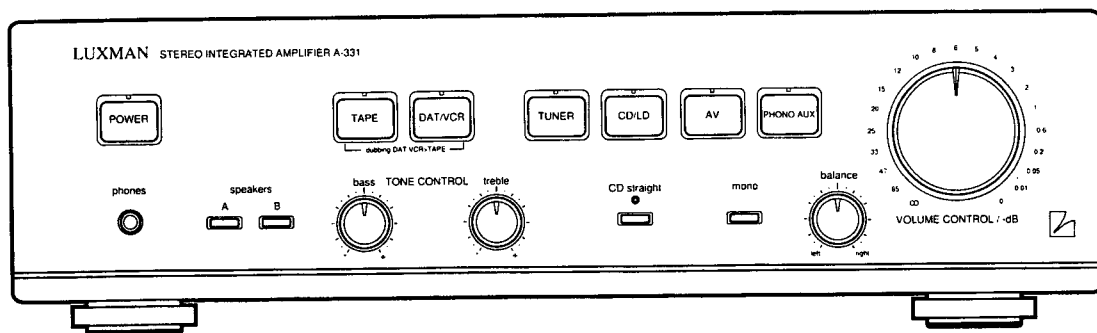


SERVICE MANUAL



Stereo Integrated Amplifier **A-321 / A-331**



Contents

Specifications	3
Names and Functions of Parts <A-321 Model>	4 to 7
Operation Guidelines <A-321 Model>	7
Names and Functions of Parts <A-331 Model>	8 to 10
Operation Guidelines <A-331 Model>	11
Disassembly Instructions	12 to 14
Adjustment Procedures	14
Adjustment Locations	15
Block Diagram	16
Parts Layout on P.C. Boards and Wiring Diagram	17 to 20
Schematic Diagram	21 to 24
Electrical Parts List	25 to 29
Packing Assembly Parts List	30
Packing Method View	30
Cabinet Assembly Parts List	31 to 32
Exploded View (Cabinet)	33 to 34
Semi-Conductor Lead Identifications	35 to 36

Spare Schematic Diagram Inserted.

Specifications

Power Output (0.08% T.H.D, 8 ohm, 20~20kHz)	50W (☆) 60W (★)
Input Sensitivity (Ref. 1kHz, 50W/8 ohm)	Line: 150 ± 30mV Phone: 2.5 ± 0.5mV
Input Impedance (1kHz)	Line: 35k ohm Phone: 47k ohm
Frequency Response (Ref. 1kHz)	Line (10~65kHz): -3dB Phono/AUX-2 (10~40kHz): -3dB (☆) Phono/AUX (10~40kHz): -3dB (★)
Total Harmonic Distortion (20~20kHz, 8 ohm)	0.08%
S/N Ratio (Input 500mV, 1kHz)	86dB
Tone Controls	Bass (100Hz): ±10 ± 2dB Treble (10kHz): ±10 ± 2dB
Cross Talk (Ref. 1kHz)	58dB
Residual Noise	1mV
Separation (1kHz, Input Shorted)	60dB
Power Supply	AC120/220/240V, 50Hz
Semiconductors	8 IC's, 24 Transistors, 20 Diodes (☆) 10 IC's, 24 Transistors, 24 Diodes (★)
Dimensions (W×H×D)	438 × 125 × 363 mm
Weight	7.6kg (☆) 8.2kg (★)

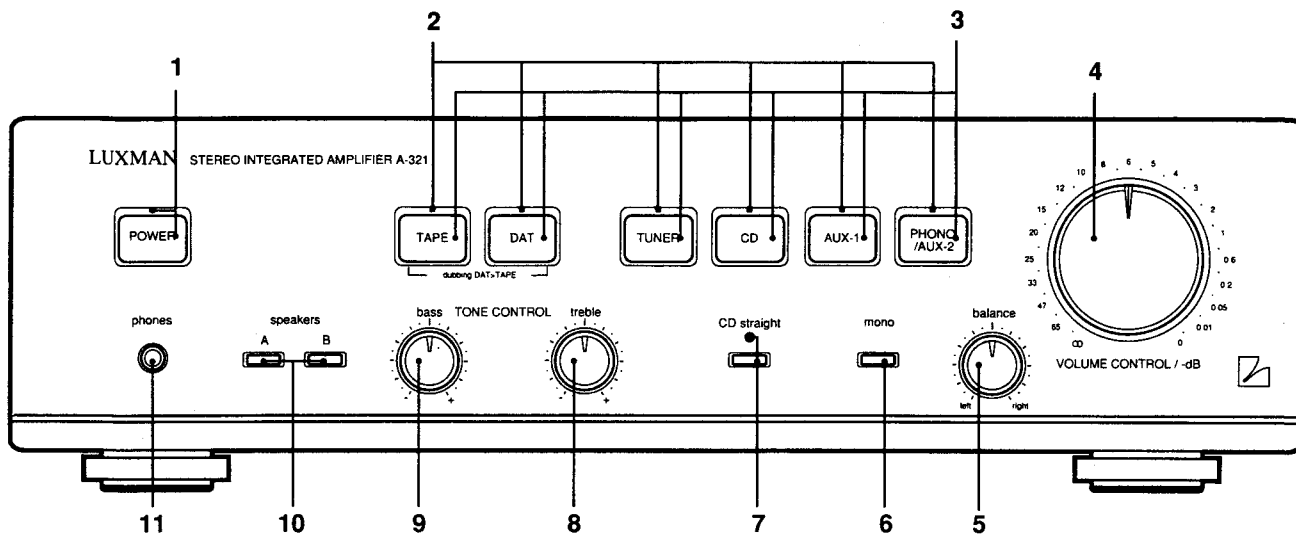
NOTE: Due to continuing product improvement, specifications and designs are subject to change without notice.

☆ : For A-321 Model only, ★ : For A-331 Model only, Others : Common.

<A-321 Model>

Names and Functions of Parts

Front Panel



1. "POWER" button and indicator

Pressing this button turns the unit on and off. First, the Operation indicator lights up when this button is depressed, and then the time delay muting circuit is turned on, putting the amplifier into perfect operational condition in about 5 seconds.

2. Input Select indicators

The LED indicator for the selected input source will light up to tell which source is selected with the Input Select buttons (item #3).

3. Input Select buttons

Press one of these buttons to select any one of six sources; TAPE, DAT, TUNER, CD, AUX-1, PHONO/AUX-2.

4. "VOLUME CONTROL"

Allows precision, low noise adjustment of volume level. It is recommended that the volume control be set to a low position prior to power turn on and when switching between sources.

5. "balance" control

Adjusts for unequal volume level between channels. Normally, with today's high quality sources, it is seldom necessary to move this control from its precision centre detent position.

6. "mono" button

Place in the mono (in) position for mono sources, for balance control adjustment, for lower noise operation from high noise stereo source, or for checking speaker phasing. Otherwise, leave it in the stereo (out) position.

7. "CD straight" button and indicator

For optimum sound quality in CD operation, press this button to bypass control and switching functions.

Note:

Be sure "CD straight" button is in the OFF (out) position when using sources other than CD.

8. "treble" control

This control will increase or decrease high frequency content in the program material. At the centre detent position, a flat frequency response results.

9. "bass" control

This control will increase or decrease low frequency content in the program material. At the centre detent position, a flat frequency response results.

10. "speakers A and B" buttons

Two sets of stereo speaker systems may be used with the A-321/A-311; A and B buttons corresponding with "SPEAKERS A and B" terminals (item #12) on the rear panel. You may choose independent or simultaneous operation of the two systems by using these buttons.

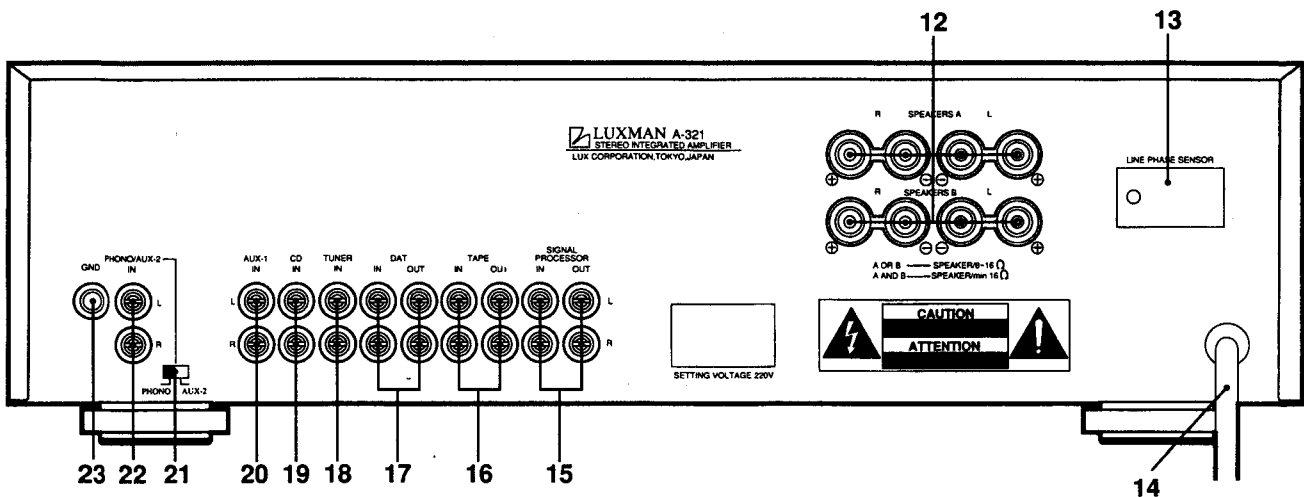
Note:

The impedance of each speaker system should equal or exceed 8 ohms when driving two sets at the same time.

11. "phones" jack

Connection of stereophonic headphones to this jack allows private listening. There is signal at the jack at all times. Placing the "speakers A and B" buttons (item #10) in the OUT position, will allow private listening.

Rear Panel



12. "SPEAKERS A and B" terminals

You may connect 2 pairs of stereo speaker systems to these terminals, one pair to the upper "A" terminals and a 2nd pair to the lower "B" terminals.

The speaker systems may be switched on and off by the front panel "speakers A and B" buttons (item #10).

13. "LINE PHASE SENSOR" indicator

When plugging the AC power cord into the wall outlet, check the polarity of the AC power cord at this sensor and indicator. When the sensor is touched after connecting the AC power cord, the polarity is correct if the indicator remains unlit. If the indicator lights up, unplug the AC power cord then plug its other side into the AC wall outlet.

Note:

Check the polarity before any other sources. If you live in a flat building where the power supply is floating, the indicator may not change status.

14. AC Power Cord

Insert the AC plug of the A-321/A-311 into an appropriate wall outlet.

15. "SIGNAL PROCESSOR IN and OUT" jacks

For connection of a surround sound processor, an equalizer or other signal processor as desired.

Note:

Jumper bars are factory installed in these jacks. They need to be removed only when connecting a processor. Retain for possible future reuse.

16. "TAPE IN and OUT" jacks

Connect the LINE IN and LINE OUT jacks of your audio tape deck to these OUT and IN jacks respectively.

17. "DAT IN and OUT" jacks

Connect the LINE IN and LINE OUT jacks of your DAT deck to these OUT and IN jacks respectively.

18. "TUNER IN" jacks

This set of jacks is for connection of a tuner. They may also be used for any other high level signal source as well.

19. "CD IN" jacks

This set of jacks is for connection of a CD (compact disc) player. They may also be used for any other high level signal source as well.

20. "AUX-1 IN" jacks

Connect the audio output of a VCR, Video Disc Player, CD Player, Cassette Deck, etc. to the "AUX-1 IN" jacks of the A-321/A-311.

21. "PHONO/AUX-2" switch

If a phono turntable is not required in the system, this switch allows the phono jacks (item #22) to be used as an additional set of high level inputs. Move it to the "AUX-2" position for connection of an additional CD player, Tape deck, etc.

CAUTION: Be sure the volume control is set to minimum when setting this switch.

22. "PHONO/AUX-2 IN" jacks

A moving magnet (MM) type phono cartridge may be connected to these inputs. Also, they may be used as an additional set of high level inputs (see item #21).

CAUTION: When these jacks are used for high level inputs, ensure that the "PHONO/AUX-2" switch (item #21) is set to "AUX-2" to prevent possible damage to the amplifier and speakers.

23. "GND" terminal

Connect the common (ground) lead of your phono turntable to this terminal.

Operation Guidelines

The following guidelines assume that all connections have been made according to the "Reference Illustrations," page 4.

Power and Source Switching

To prevent the possibility of excessive, sudden sound levels, it is recommended that the volume control be placed at a low level position each time the power button is turned on or when switching between sources by the INPUT SELECTOR.

To Play Source Units

1. Turn the power on to all the components in use.
2. Choose your desired source with the Input Selector buttons (item #3).
3. Operate the source unit.

Tape Recording Operation

Tape Recording

1. Select the desired source to be recorded with the Input Selector buttons (item #3) and place the source unit into the play mode.
2. Operate the tape deck for recording.
3. If you have a 3 head deck or a DAT with monitoring function, you can monitor the actual recording by depressing the corresponding "TAPE" or "DAT" buttons (item #3) on the A321/A311.

Tape Dubbing

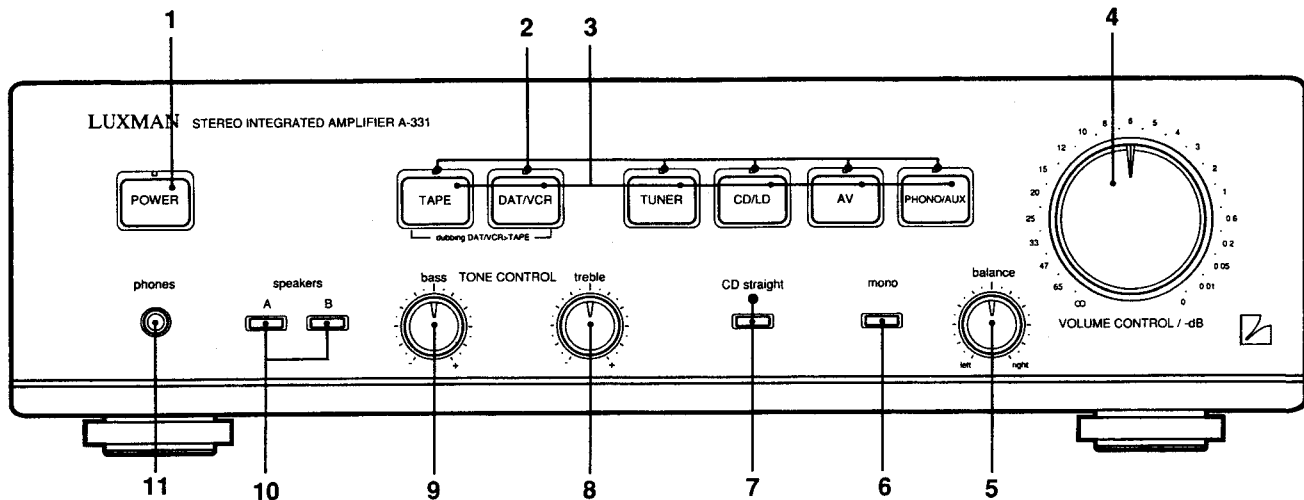
Tape dubbings from the DAT deck to the audio tape deck may be performed through the A-321/A-311.

1. Press both "DAT" and "TAPE" buttons (item #3) of the Input selector on the A-321/A-311.
2. Load a prerecorded tape into the DAT deck and a blank tape into the audio tape deck.
3. Place the DAT deck in the play mode and the audio tape deck in the recording mode. When audio tape decks are connected to the "DAT IN and OUT" jacks (item #17) on the A-321/A-311, dubbing operation can be performed from the audio tape deck connected to the DAT IN jacks to the audio tape deck connected to the DAT OUT jacks.

<A-331 Model>

Names and Functions of Parts

Front Panel



1. "POWER" button and indicator

Pressing this button turns the unit on and off. First, the Operation indicator lights up when this button is depressed, and then the time delay muting circuit is turned on, putting the amplifier into perfect operational condition in about 5 seconds.

2. Input Select indicators

The LED indicator for the selected input source will light up to tell which source is selected with the Input Select buttons (item #3).

3. Input Select buttons

Press one of these buttons to select any one of six sources; TAPE, DAT/VCR, TUNER, CD/LD, AV, PHONO/AUX.

4. "VOLUME CONTROL"

Allows precision, low noise adjustment of volume level. It is recommended that the volume control be set to a low position prior to power turn on and when switching between sources.

5. "balance" control

Adjusts for unequal volume level between channels. Normally, with today's high quality sources, it is seldom necessary to move this control from its precision centre detent position.

6. "mono" button

Place in the mono (in) position for mono sources, for balance control adjustment, for lower noise operation from high noise stereo source, or for checking speaker phasing. Otherwise, leave it in the stereo (out) position.

7. "CD straight" button and indicator

For optimum sound quality in CD operation, press this button to bypass control and switching functions.

Note:

Be sure "CD straight" button is in the OFF (out) position when using sources other than CD.

8. "treble" control

This control will increase or decrease high frequency content in the program material. At the centre detent position, a flat frequency response results.

9. "bass" control

This control will increase or decrease low frequency content in the program material. At the centre detent position, a flat frequency response results.

10. "speakers A and B" buttons

Two sets of stereo speaker systems may be used with the A-331; A and B buttons corresponding with "SPEAKERS A and B" terminals (item #17) on the rear panel. You may choose independent or simultaneous operation of the two systems by using these buttons.

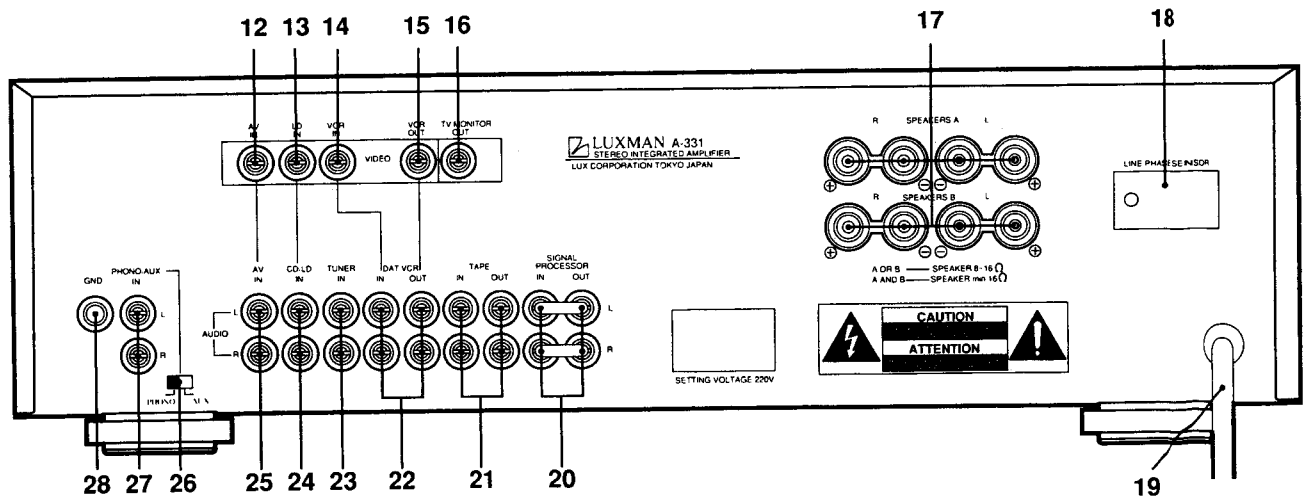
Note:

The impedance of each speaker system should equal or exceed 8 ohms when driving two sets at the same time.

11. "phones" jack

Connection of stereophonic headphones to this jack allows private listening. There is signal at the jack at all times. Placing the "speakers A and B" buttons (item #10) in the OUT position, will allow private listening.

Rear Panel



12. "VIDEO AV IN" jack

Connect the video output of a VCR, Laser Disc Player, etc. to the "VIDEO AV IN" jack of the A-331.

13. "VIDEO LD IN" jack

Connect the video output of a Laser Disc Player to the "VIDEO LD IN" jack of the A-331.

14. "VIDEO VCR IN" jack

Connect the video output of a VCR to the "VIDEO VCR IN" jack of the A-331.

15. "VIDEO VCR OUT" jack

Connect the video input of a VCR to the "VIDEO VCR OUT" jack of the A-331.

16. "VIDEO TV MONITOR OUT" jack

Connect the video input of a TV to the "VIDEO TV MONITOR OUT" jack of the A-331.

17. "SPEAKERS A and B" terminals

You may connect 2 pairs of stereo speaker systems to these terminals, one pair to the upper "A" terminals and a 2nd pair to the lower "B" terminals.

The speaker systems may be switched on and off by the front panel "speakers A and B" buttons (item #10).

18. "LINE PHASE SENSOR" indicator

When plugging the AC power cord into the wall outlet, check the polarity of the AC power cord at this sensor and indicator. When the sensor is touched after connecting the AC power cord, the polarity is correct if the indicator remains unlit. If the indicator lights up, unplug the AC power cord then plug its other side into the AC wall outlet.

Note:

Check the polarity before any other sources. If you live in a flat building where the power supply is floating, the indicator may not change status.

19. AC Power Cord

Insert the AC plug of the A-331 into an appropriate wall outlet.

20. "SIGNAL PROCESSOR IN and OUT" jacks

For connection of a surround sound processor, an equalizer or other signal processor as desired.

Note:

Jumper bars are factory installed in these jacks. They need to be removed only when connecting a processor. Retain for possible future reuse.

21. "TAPE IN and OUT" jacks

Connect the LINE IN and LINE OUT jacks of your audio tape deck to these OUT and IN jacks respectively.

22. "DAT/VCR IN and OUT" jacks

Connect the LINE IN and LINE OUT jacks of your DAT or VCR to these OUT and IN jacks respectively.

23. "TUNER IN" jacks

This set of jacks is for connection of a tuner. They may also be used for any other high level signal source as well.

24. "CD/LD IN" jacks

This set of jacks is for connection of a CD (compact disc) player or LD (laser disc) player. They may also be used for any other high level signal source as well.

25. "AV IN" jacks

Connect the audio output of a VCR, Laser Disc Player, etc. that is connected to the "VIDEO AV IN" jacks (item #12) of the A-331.

26. "PHONO/AUX" switch

If a phono turntable is not required in the system, this switch allows the phono jacks (item #27) to be used as an additional set of high level inputs. Move it to the "AUX" position for connection of an additional CD player, Tape deck, etc.

CAUTION: Be sure the volume control is set to minimum when setting this switch.

27. "PHONO/AUX IN" jacks

A moving magnet (MM) type phono cartridge may be connected to these inputs. Also, they may be used as an additional set of high level inputs (see item #26).

CAUTION: When these jacks are used for high level inputs, ensure that the "PHONO/AUX" switch (item #26) is set to "AUX" to prevent possible damage to the amplifier and speakers.

28. "GND" terminal

Connect the common (ground) lead of your phono turntable to this terminal.

Operation Guidelines

The following guidelines assume that all connections have been made according to the "Reference Illustrations," page 4.

Power and Source Switching

To prevent the possibility of excessive, sudden sound levels, it is recommended that the volume control be placed at a low level position each time the power button is turned on or when switching between sources by the INPUT SELECTOR.

To Play Source Units

1. Turn the power on to all the components in use.
2. Choose your desired source with the Input Selector buttons (item #3).
3. Operate the source unit.

Tape Recording Operation

Tape Recording

1. Select the desired source to be recorded with the Input Selector buttons (item #3) and place the source unit into the play mode.
2. Operate the tape deck for recording.
3. If you have a 3 head deck or a DAT with monitoring function, you can monitor the actual recording by depressing the corresponding "TAPE" or "DAT/VCR" buttons (item #3) on the A-331.

Tape Dubbing

Tape dubbings from the DAT/VCR deck to the audio tape deck may be performed through the A-331.

1. Press both "DAT/VCR" and "TAPE" buttons (item #3) of the Input selector on the A-331.
2. Load a prerecorded tape into the DAT deck and a blank tape into the audio tape deck.
3. Place the DAT deck in the play mode and the audio tape deck in the recording mode. When audio tape decks are connected to the "DAT/VCR IN and OUT" jacks (item #22) on the A-331, dubbing operation can be performed from the audio tape deck connected to the DAT/VCR IN jacks to the audio tape deck connected to the DAT/VCR OUT jacks.

Disassembly Instructions

1. Removal of Front Panel

- (1) After removal of Top Cover, remove Volume Control Knob, Balance Volume Knob, Treble and Bass Volume Knobs and then remove Nut for that the Volume Knobs as shown in Figure 1.
- (2) Remove fourteen screws marked "○" as shown in Figures 2 and 3.
- (3) Front Panel with Function P.C.Board and LED P.C.Board can be removed completely.

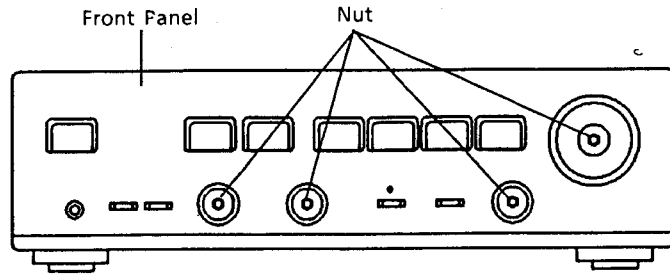


Figure 1

2. Removal of Function P.C.Board, LED P.C.Board

- (1) Remove six screws marked "△" and "▲" as shown in Figure 3.
- (2) Disconnect all wires from the Main P.C.Board, Sub P.C.Board and Main VR P.C.Board.

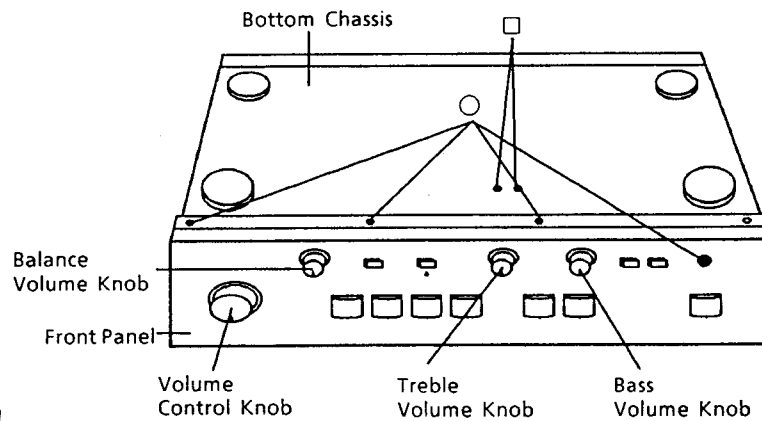


Figure 2

3. Removal of Power SW P.C.Board

- (1) Remove one screw marked "▽" as shown in Figure 3.
- (2) Disconnect all wires from the Power SW P.C.Board.

4. Removal of Sub P.C.Board

- (1) After removal of Front Panel, remove one Support P.C.Board marked "■" from Sub P.C.Board as shown in Figure 4, by pushing the point "A" as shown in Figure 5.
- (2) Remove three screws marked "●" as shown in Figure 4.
- (3) Disconnect all wires from the Sub P.C.Board.

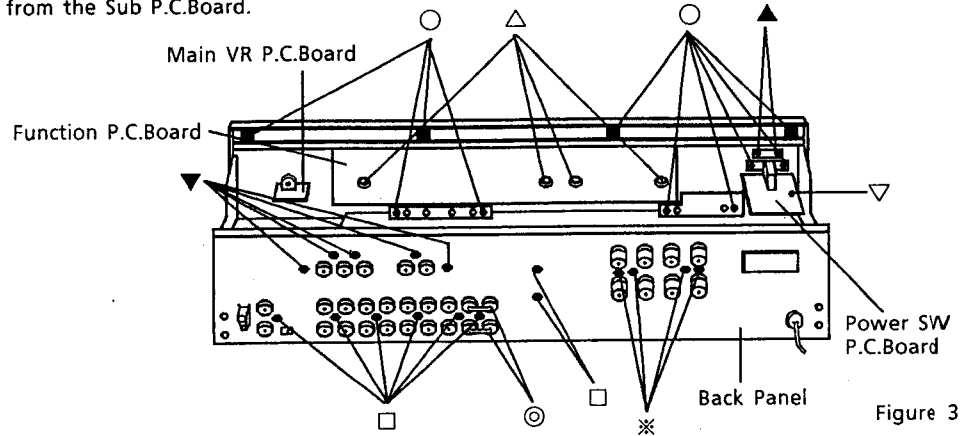


Figure 3

5. Removal of SP Terminal P.C.Board

- (1) Remove four screws marked "※" as shown in Figure 3.
- (2) Disconnect all wires from the SP Terminal P.C.Board.

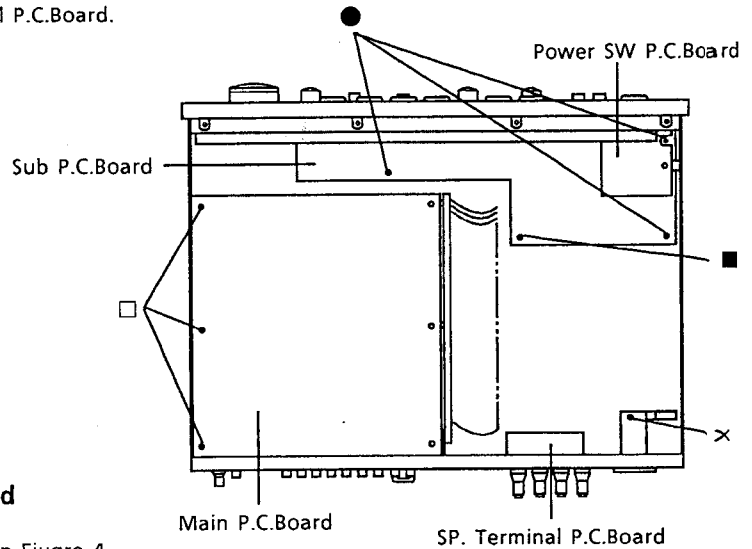


Figure 4

6. Removal of Phase Sensor P.C.Board

- (1) Remove one screw marked "x" as shown in Figure 4.
- (2) Push rib in the Holder (B) and pull out as shown in Figure 6.
- (3) Disconnect all wires from the Phase Sensor P.C.Board.

7. Removal of Main P.C.Board

- (1) Remove two Jumper pins marked "⊙" as shown in Figure 3.
- (2) Remove thirteen screws marked "□" as shown in Figures 2, 3 and 4.
- (3) Disconnect all wires from the Main P.C.Board.

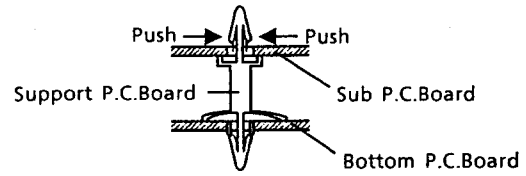


Figure 5

8. Removal of Video P.C.Board (A-331 Model only)

- (1) Remove five screws marked "▼" as shown in Figure 3.
- (2) Disconnect all wires from the Video P.C.Board.

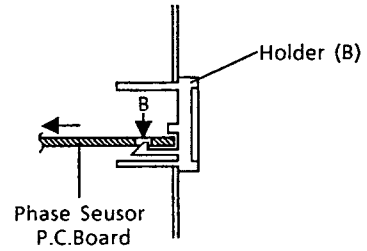
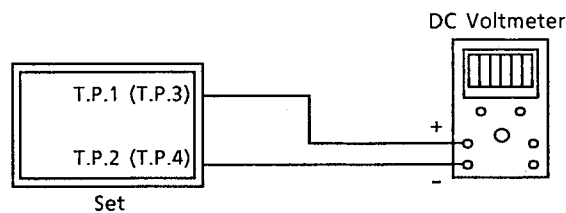


Figure 6

Adjustment Procedures

1. Connection



<Figure 7>

2. Control Settings

Power Switch ON
Others OFF

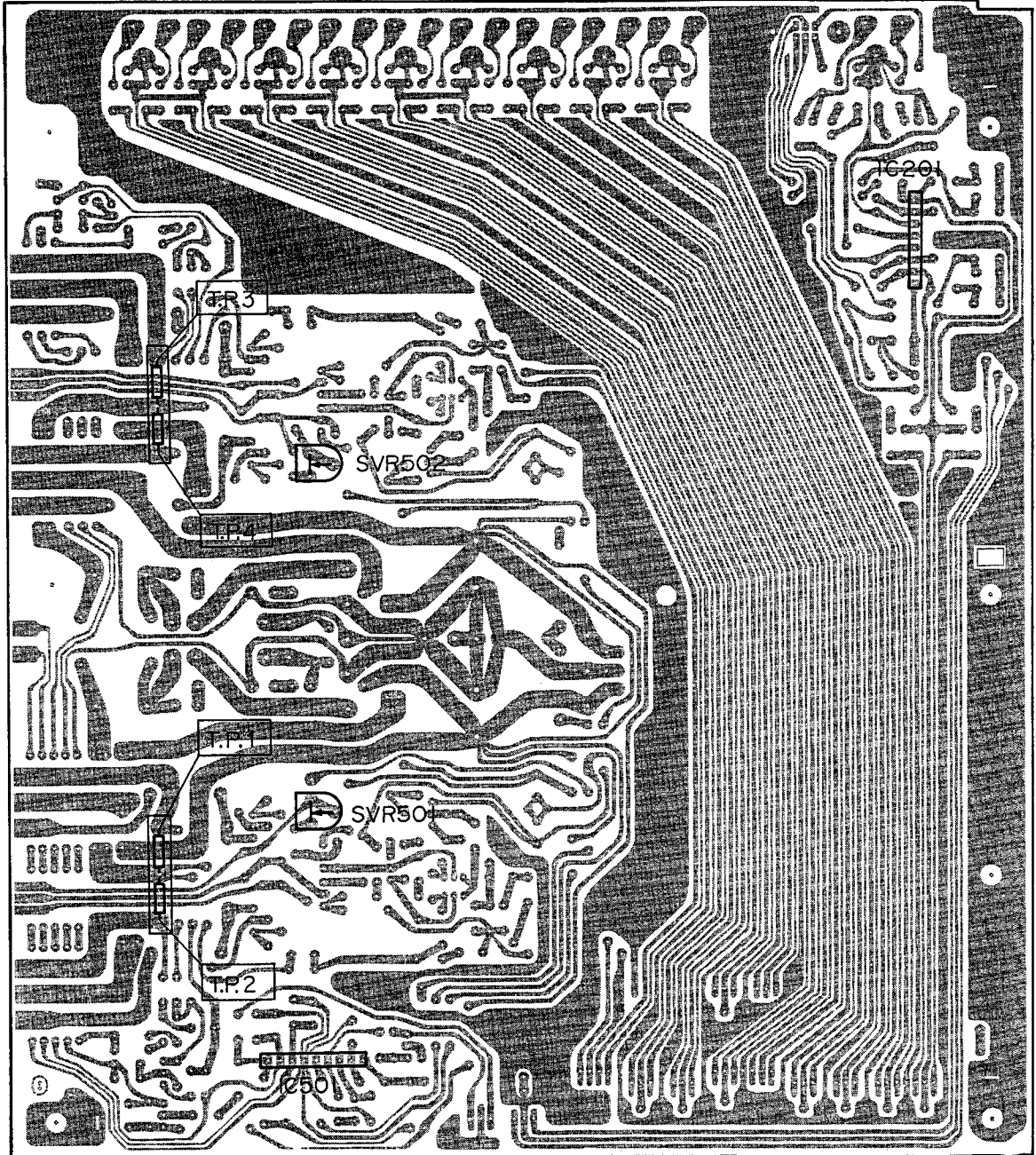
3. Adjustment Procedures

● Idlin Adjustment

- (1) Set VR301 (main volume) to its minimum.
- (2) Adjust SVR501 (SVR502) so that the voltage between T.P.1 (T.P.3) and T.P.2 (T.P.4) is 3.3mV.

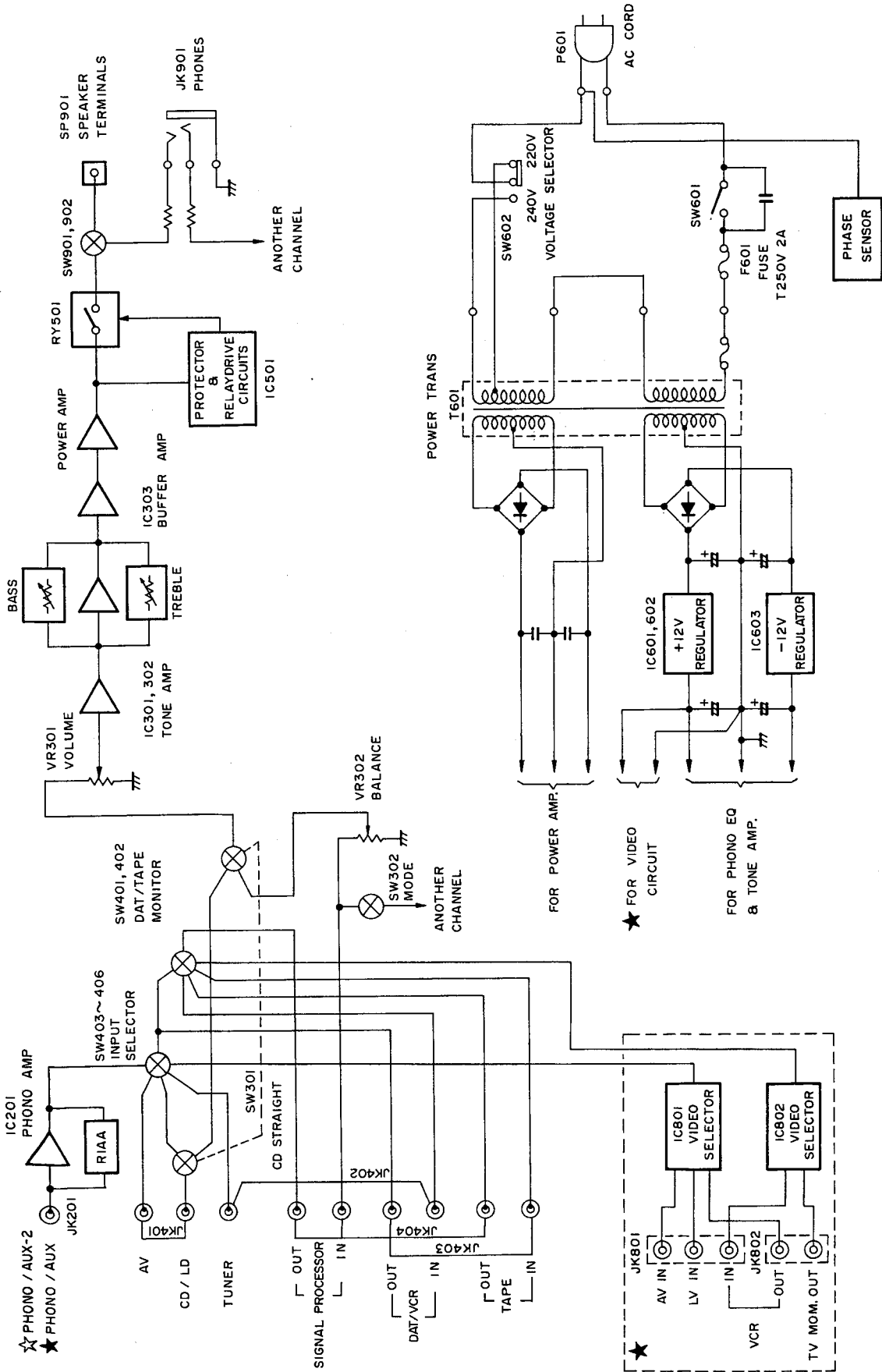
Note: Wait about 3 minutes after turning ON the power to make the above adjustment.

Adjustment Locations



MAIN P.C.Board (Top View)

Block Diagram



Notes : ☆ : A-321 model only,
★ : A-331 model only,
others : common

A-321 /
A-331

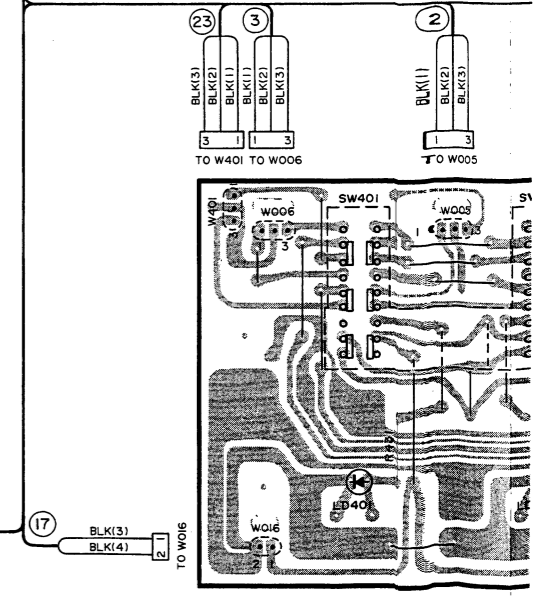
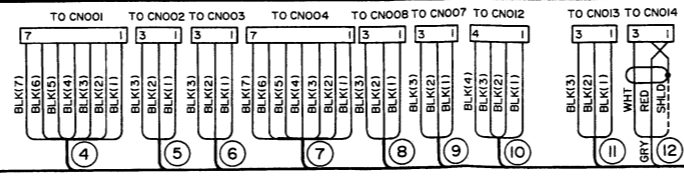
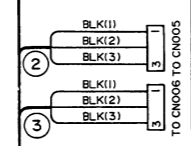
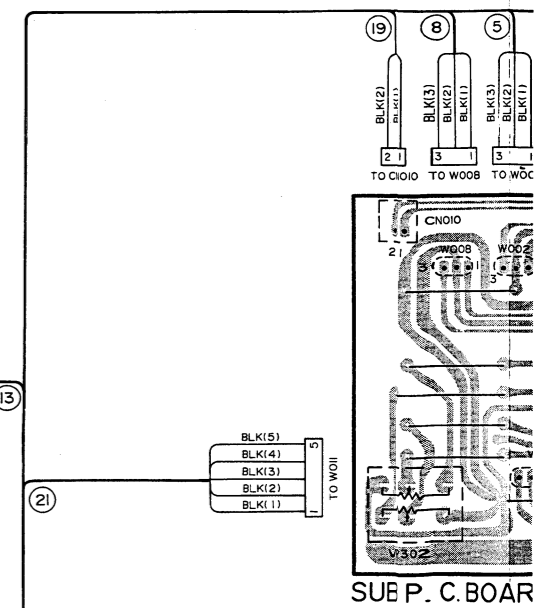
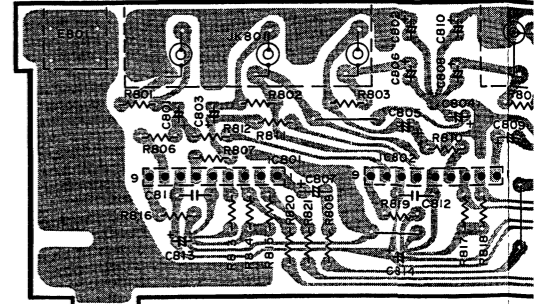
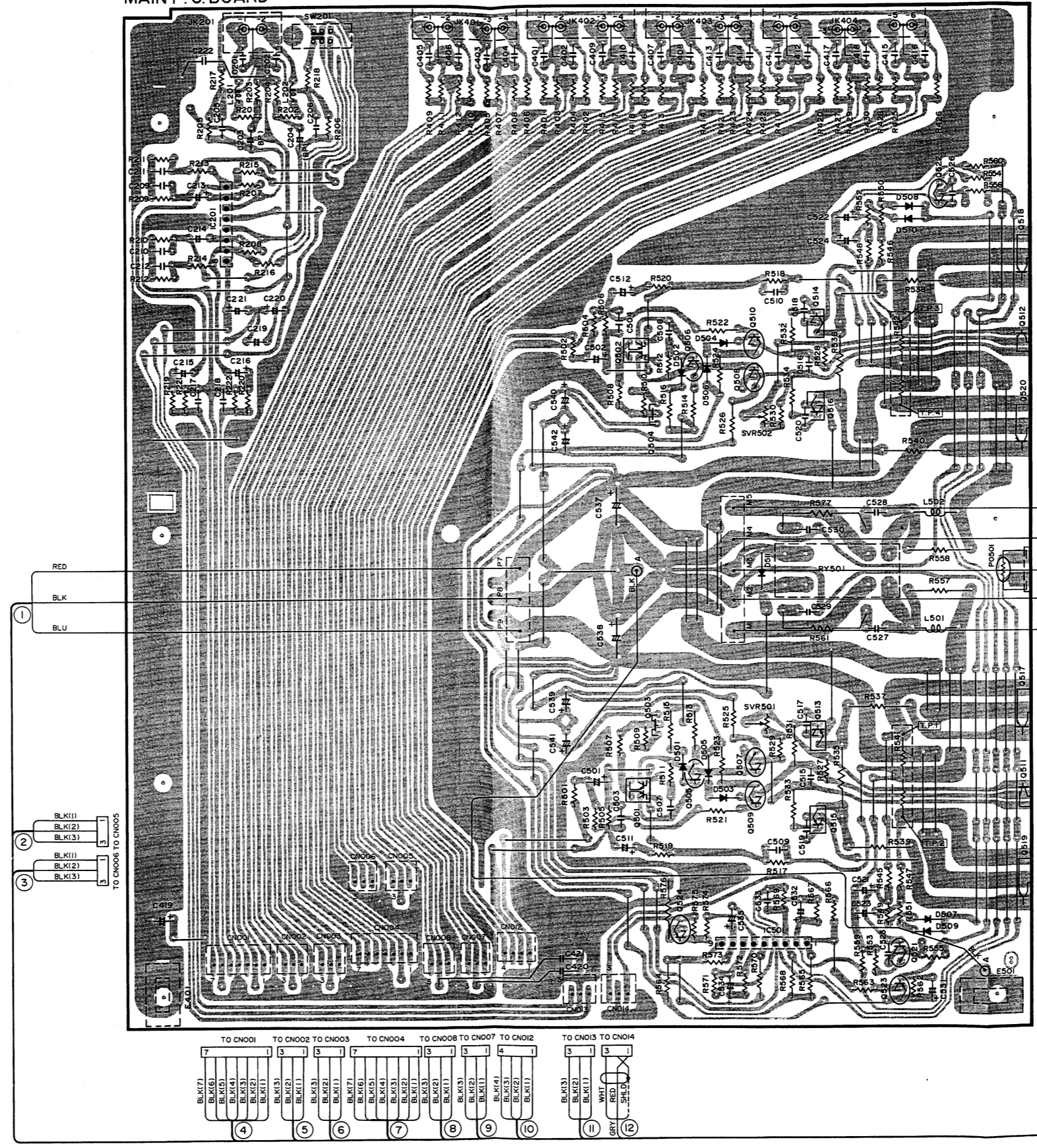
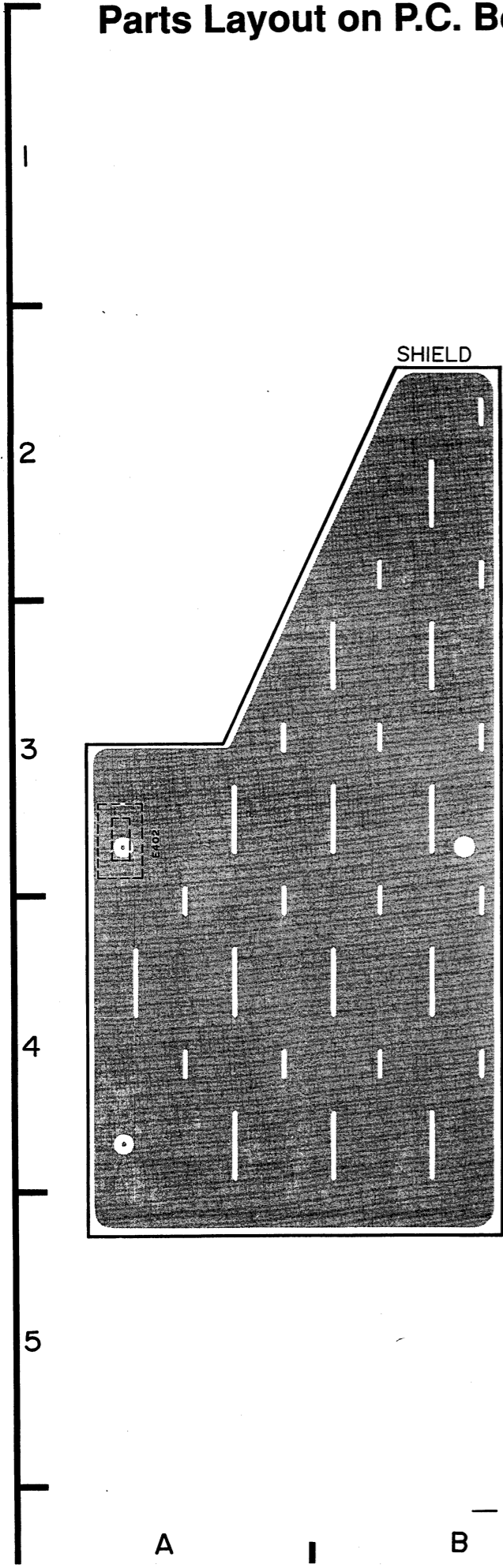
A-321 /
A-331

Parts Layout on P.C. Boards and Wiring Diagram

ALL P.C. Boards viewed from foil side.

MAIN P.C. BOARD

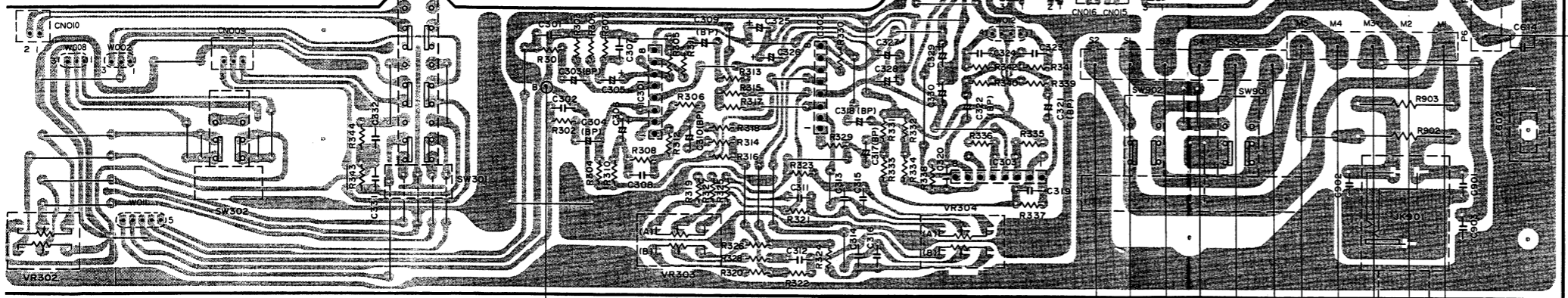
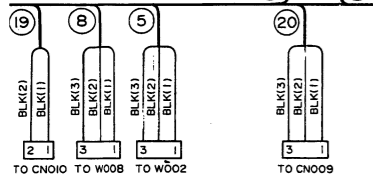
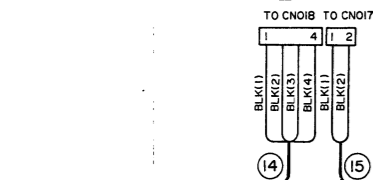
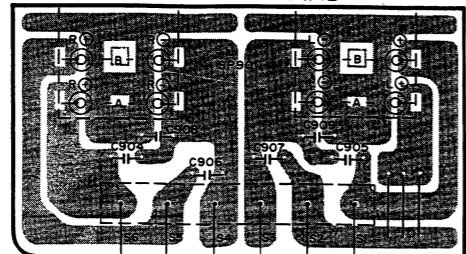
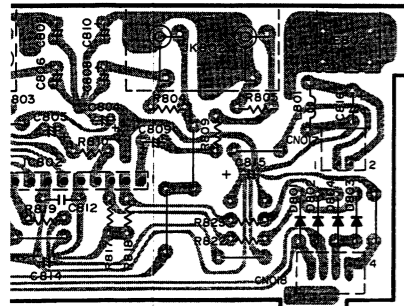
VIDEO P.C. BOARD (★)



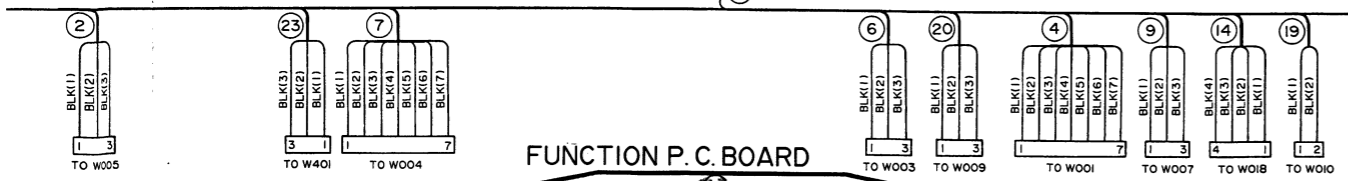
A I B I C I D I E I F I G I H

Blue Pattern : Foil Side Pattern.

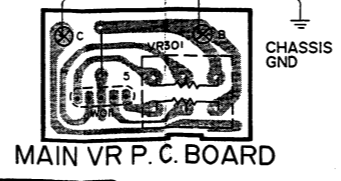
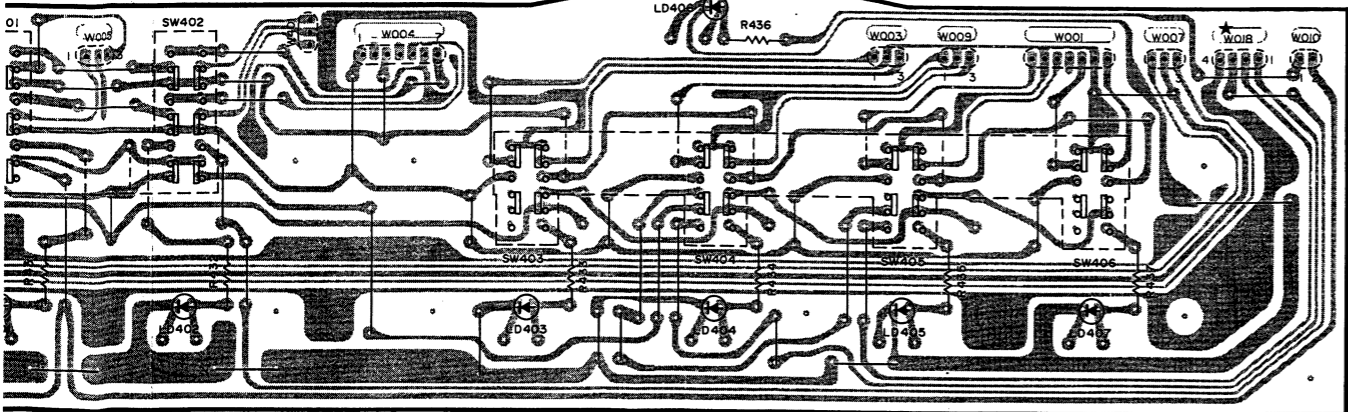
SP TERMINAL P. C. BOARD



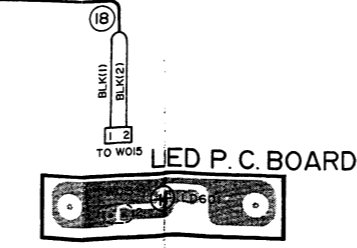
UB P. C. BOARD



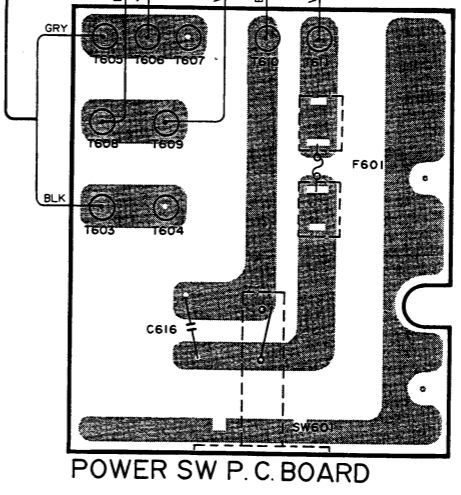
FUNCTION P. C. BOARD



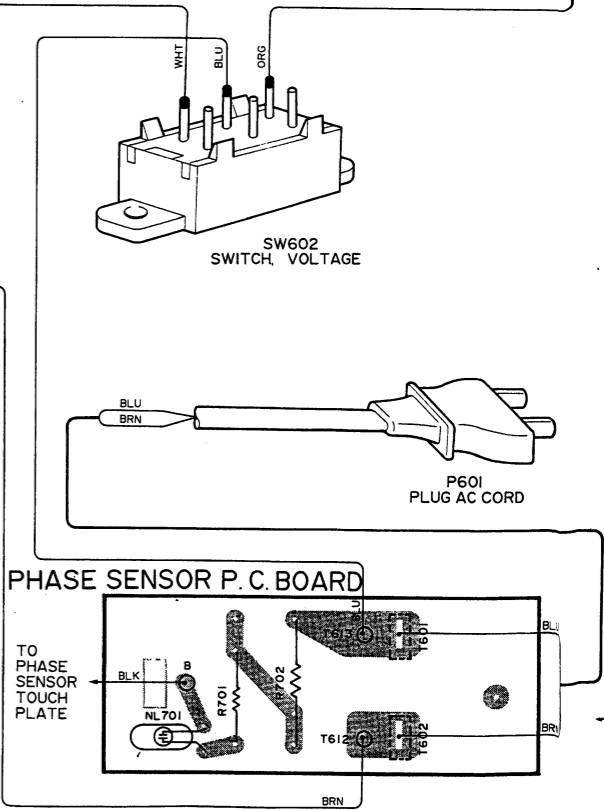
MAIN VR P. C. BOARD



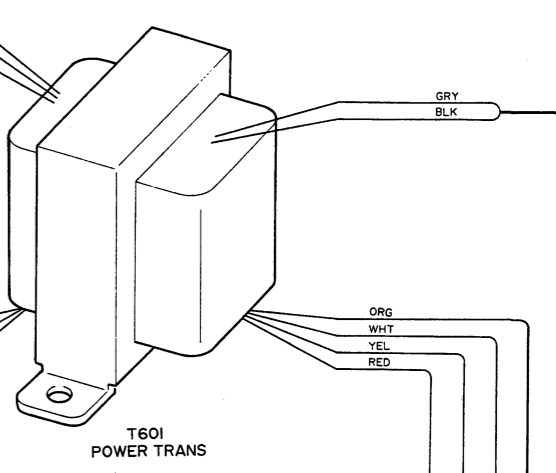
LED P. C. BOARD



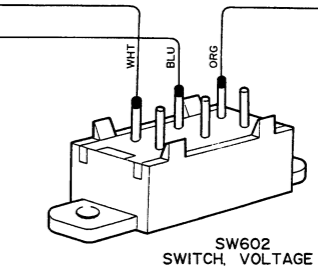
POWER SW P. C. BOARD



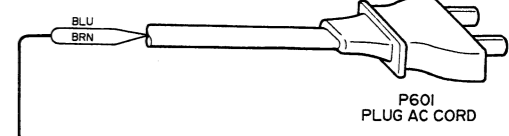
PHASE SENSOR P. C. BOARD



T601 POWER TRANS



SW602 SWITCH, VOLTAGE

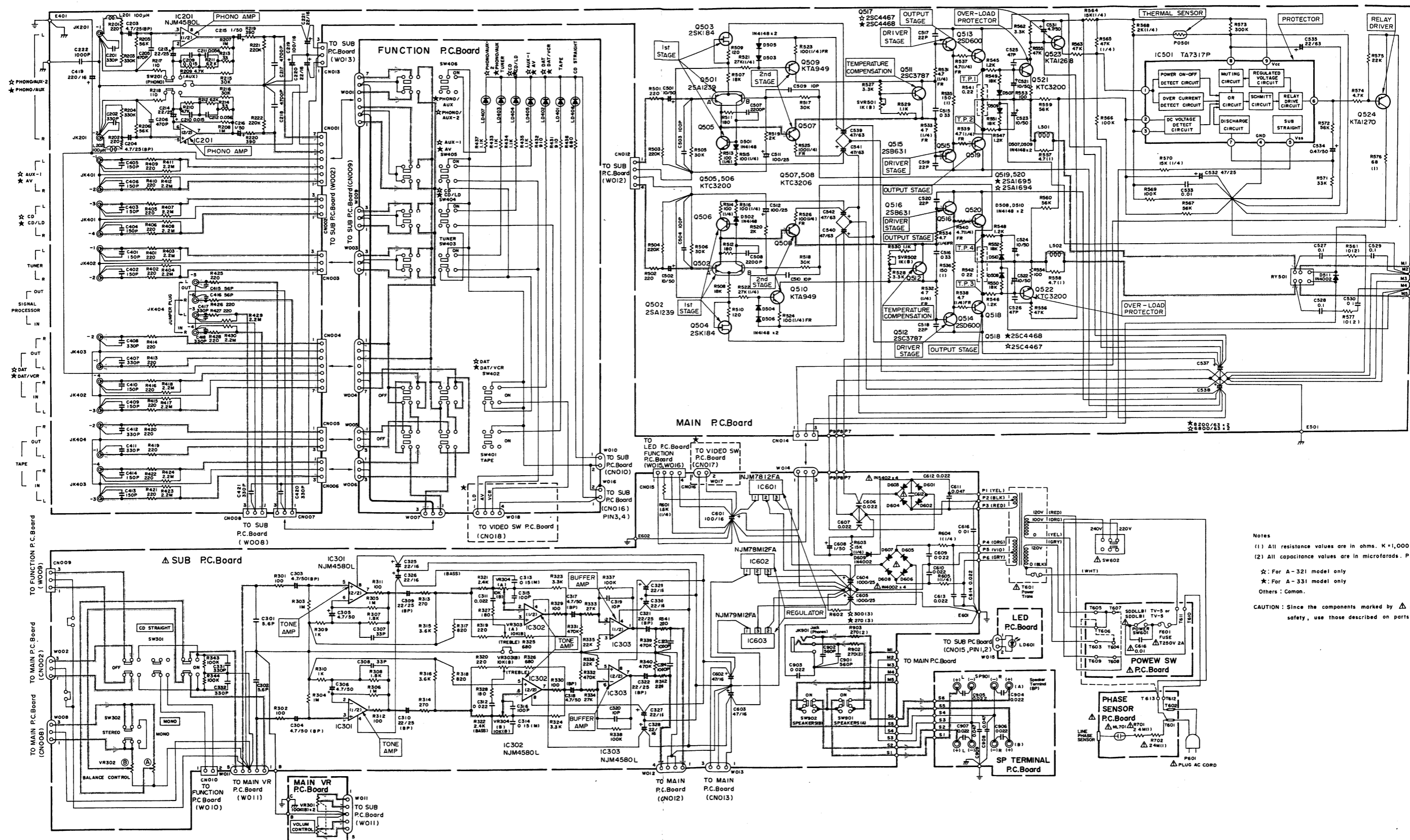


P601 PLUG AC CORD

Note: ☆ : A-321 Model only, ★ : A-331 Model only, others : common

Schematic Diagram

IC'S	IC201	IC301	IC302	IC303	IC602 IC601 IC603	Q503 Q501 Q505 Q506 Q502 Q504	Q509 Q507 Q508 Q510	Q511 Q512	Q513 Q515 Q516 Q514	Q517 Q519 Q520 Q518	Q521 Q522	Q523	Q524
------	-------	-------	-------	-------	-------------------------	--	------------------------------	--------------	------------------------------	------------------------------	--------------	------	------



Notes
 (1) All resistance values are in ohms. K=1,000 M=1,000,000
 (2) All capacitance values are in microfarads. P=1,000,000
 ☆: For A-321 model only
 ★: For A-331 model only
 Others: Common.
 CAUTION: Since the components marked by Δ are critical for safety, use those described on parts list only.

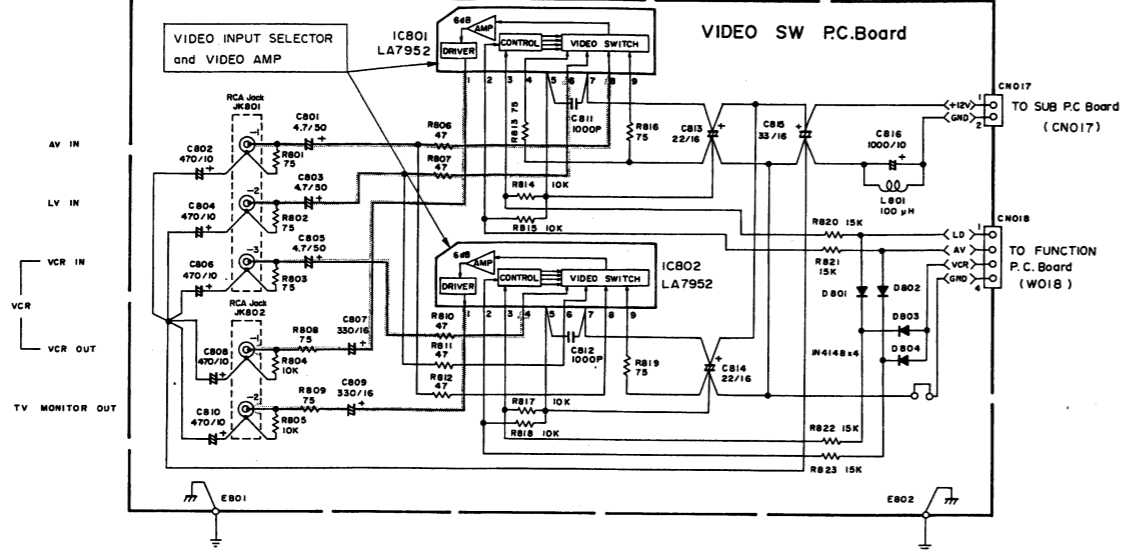
A-321/
A-331

A-321/
A-331

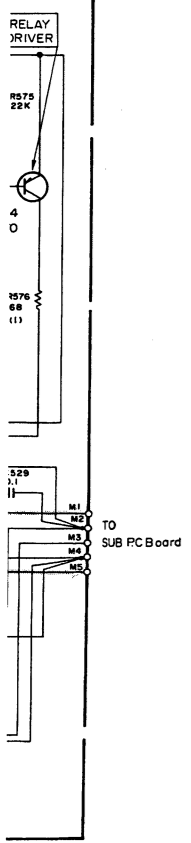
Q524

IC'S IC801 IC802

A-331 model only (★)



NOTE
 1. All resistance values are in ohms. K=1,000 M=1,000,000
 2. All capacitance values are in microfarads P = $\frac{1}{1,000,000}$



IC201	IC301	IC302	IC303	IC501	IC602	IC603
1 -0.14V	0V	1.2V	-0.009V	1 0.68V	1 12.1V	-11.8V
2 0.01V	0.15V	2.2V	0.006V	2 0V	2 —	—
3 0.01V	0.15V	2.2V	0.006V	3 0.03V	3 19.4V	-20V
4 -11.9V	-11.8V	-11.8V	-11.8V	4 0V		
5 0.01V	0.15V	2.2V	0.006V	5 0.78V		
6 0.01V	0.15V	2.1V	0.006V	6 0.78V		
7 -0.14V	0V	1.1V	0.009V	7 0V		
8 12.1V	12.1V	12V	12.1V	8 1.27V		
				9 2.92V		

<Measuring Conditions>
 1. Power supply voltage : AC220V, 50Hz
 2. Measuring meter : Digital Multimeter
 3. Measuring point reference : Between ground
 4. Measuring conditions : No Signal Input
 Power Output "OFF"

A-321 model only

IC801	E	C	B	Q501-A	E	C	B
1 12.02V	0.6V	-45.3V	0.043V	Q514	0.6V	46.5V	1.2V
2 —	0.6V	-45.8V	0.045V	Q515	-0.6V	-46.5V	-1.2V
3 19.4V	0.6V	-45.3V	0.04V	Q516	-0.6V	-46.5V	-1.2V
	0.6V	-45.8V	0.038V	Q517	0.007V	46.4V	0.6V
	-46.3V	-45.3V	-45.8V	Q518	0.009V	46.4V	0.6V
	-46.4V	-45.3V	-45.8V	Q519	-0.008V	-46.4V	-0.6V
	-45.7V	-1.2V	-45.3V	Q520	-0.06V	-46.4V	-0.6V
	-45.8V	-1.2V	-45.3V	Q521	0.003V	46.2V	0.006V
	45.8V	1.2V	45.3V	Q522	0.006V	46.2V	0.009V
	45.8V	1.2V	45.3V	Q523	46.4V	-0.7V	46.4V
	0.6V	46.5V	1.2V	Q524	12V	11.9V	11.9V

A-331 model only

IC801	IC802	E	C	B	Q514	E	C	B
1 3.6V	3.5V	0.6V	-48.5V	0.034V	Q514	0.6V	49.6V	1.1V
2 0.06V	0.05V	0.6V	-49V	0.032V	Q515	-0.6V	-49.6V	-1.1V
3 0.05V	0.05V	0.6V	-48.5V	0.031V	Q516	-0.6V	-49.6V	-1.1V
4 0.78V	3.1V	0.6V	-49V	0.034V	Q517	0.003V	49.6V	0.6V
5 0.03V	0.02V	0.6V	-49.6V	-49V	Q518	0.007V	49.6V	0.6V
6 3.1V	3.1V	0.6V	-49.6V	-49V	Q519	-0.006V	-49.6V	-0.6V
7 11.96V	11.96V	0.6V	-48.9V	-1.2V	Q520	-0.06V	-49.6V	-0.6V
8 3.1V	3.1V	0.6V	-49V	-1.2V	Q521	-0.002V	49.4V	0.002V
9 0.78V	0.78V	49V	49V	1.2V	Q522	0.003V	49.4V	0.003V
		49V	48.5V	1.2V	Q523	46.6V	-0.6V	49.6V
		0.6V	49.6V	1.1V	Q524	12V	11.9V	11.3V

ns. K=1,000 M=1,000,000
 microfarads. P = $\frac{1}{1,000,000}$

marked by Δ are critical for
 used on parts list only.

Electrical Parts List

Resistor : Carbon resistors under 1/4 watts are not mentioned in the parts list, please confirm them by schematic diagram.

Capacitor : μF = microfarads, pF = picofarads

Abbreviations			Symbol No.	Part No.	Description
RES. = Resistor	CAP. = Capacitor		D506	48E04616S01	1N4148
C.F. = Carbon Film	ELY. = Electrolytic		D507	48E04616S01	1N4148
M.F. = Metal Film	CER. = Ceramic		D508	48E04616S01	1N4148
M.O. = Metal Oxide Film	MYL. = Mylar		D509	48E04616S01	1N4148
M.P. = Metal Plate	TAN. = Tantalum		D510	48E04616S01	1N4148
TR. = Transistor	POLY. = Polystyrol		D511	48S40477U02	1N4002
TRANS. = Transformer	PP. = Polypropylene		or	48E09802S01	1N4002A
CP. = Chip	PLT. = Polyethylene				
	PF. = Polyester Film				
Symbol No.	Part No.	Description			
Main P. C. Board					
IC's			Coils		
IC201	51E09990S01	NJM4580L	L201	24E09998S01	100 μH
IC501	51T67437F01	TA7317P	L202	24E09998S01	100 μH
			L501	24E09245S01	1 μH
			L502	24E09245S01	1 μH
Transistors			Relay		
Q501	48E09215S01	2SA1239	☆ RY501	80E10012S01	OSA-SS-212DM3
Q502	48E09215S01	2SA1239	☆ or	80E04619S01	OMI-SS-212LM
Q503	48T66542F01	2SK184	☆ or	80E10013S01	HR-CR323
Q504	48T66542F01	2SK184	★ RY501	80E10025S01	OSA-SS-212DM5
Q505	48E09223S01	KTC3200	★ or	80E04619S01	OMI-SS-212LM
Q506	48E09223S01	KTC3200	★ or	80E10013S01	HR-CR323
Q507	48E09220S01	KTC3206			
Q508	48E09220S01	KTC3206			
Q509	48E09219S01	KTA949			
Q510	48E09219S01	KTA949			
Q513	48E08018S01	2SD600			
Q514	48E08018S01	2SD600			
Q515	48E08019S01	2SB631			
Q516	48E08019S01	2SB631			
Q521	48E09223S01	KTC3200			
Q522	48E09223S01	KTC3200			
Q523	48E09216S01	KTA1268			
Q524	48E10007S01	KTA1270			
Diodes			Switch		
D501	48E04616S01	1N4148	SW201	40E09313S01	Slide SSSF12 (PHONO / AUX)
D502	48E04616S01	1N4148			
D503	48E04616S01	1N4148			
D504	48E04616S01	1N4148			
D505	48E04616S01	1N4148			
			Capacitors		
			C201	21E09996S02	CER., 330pF
			C202	21E09996S02	CER., 330pF
			C203	23E09994S01	ELY., (B.P) 4.7 μF / 25V
			C204	23E09994S01	ELY., (B.P) 4.7 μF / 25V
			C205	21E09996S01	CER., 470pF
			C206	21E09996S01	CER., 470pF
			C209	08E04735S06	MYL., 0.015 μF
			C210	08E04735S06	MYL., 0.015 μF
			C211	08E04735S19	MYL., 0.056 μF
			C212	08E04735S19	MYL., 0.056 μF

Notes : ☆ : For A-321 Model Only,
Others : Common.

★ : For A-331 Model Only,

Symbol No.	Part No.	Description	Symbol No.	Part No.	Description
C213	23E04636S02	ELY., 22 μ F / 25V	C523	23E04635S10	ELY., 10 μ F / 50V
C214	23E04636S02	ELY., 22 μ F / 25V	C524	23E04635S10	ELY., 10 μ F / 50V
C215	23E04635S03	ELY., 1 μ F / 50V	C525	21E04622S11	CER., 47pF
C216	23E04635S03	ELY., 1 μ F / 50V	C526	21E04622S11	CER., 47pF
C217	21E04631S10	CER., 4700pF	C527	08E04654S09	Plastic, 0.1 μ F
C218	21E04631S10	CER., 4700pF	C528	08E04654S09	Plastic, 0.1 μ F
C219	23E04754S03	ELY., 100 μ F / 16V	C529	08E04654S09	Plastic, 0.1 μ F
C220	23E04754S04	ELY., 22 μ F / 16V	C530	08E04654S09	Plastic, 0.1 μ F
C221	23E04754S04	ELY., 22 μ F / 16V	C531	23E04635S07	ELY., 4.7 μ F / 50V
C222	21E04631S11	CER., 1000pF	C532	23E04636S07	ELY., 47 μ F / 25V
C401	21E09996S06	CER., 150pF	C533	21E04631S01	CER., 0.01 μ F
C402	21E09996S06	CER., 150pF	C534	23E04635S04	ELY., 47 μ F / 50V
C403	21E09996S06	CER., 150pF	C535	23E09995S01	ELY., 22 μ F / 63V
C404	21E09996S06	CER., 150pF	☆ C537	23E09995S03	ELY., 6800 μ F / 63V
C405	21E09996S06	CER., 150pF	★ C537	23E09995S04	ELY., 8200 μ F / 63V
C406	21E09996S06	CER., 150pF	☆ C538	23E09995S03	ELY., 6800 μ F / 63V
C407	21E09996S02	CER., 330pF	★ C538	23E09995S04	ELY., 8200 μ F / 63V
C408	21E09996S02	CER., 330pF	C539	23E09995S02	ELY., 47 μ F / 63V
C409	21E09996S06	CER., 150pF	C540	23E09995S02	ELY., 47 μ F / 63V
C410	21E09996S06	CER., 150pF	C541	23E09995S02	ELY., 47 μ F / 63V
C411	21E09996S02	CER., 330pF	C542	23E09995S02	ELY., 47 μ F / 63V
C412	21E09996S02	CER., 330pF			
C413	21E09996S06	CER., 150pF			
C414	21E09996S06	CER., 150pF			
C415	21E04622S29	CER., 56pF			
C416	21E04622S29	CER., 56pF			
C417	21E09996S02	CER., 330pF			
C418	21E09996S02	CER., 330pF			
C419	23E04754S02	ELY., 220 μ F / 16V			
C420	21E09996S02	CER., 330pF			
C421	21E09996S02	CER., 330pF			
C501	23E04635S10	ELY., 10 μ F / 50V			
C502	23E04635S10	ELY., 10 μ F / 50V			
C503	21E09996S03	CER., 100pF			
C504	21E09996S03	CER., 100pF			
C505	21E09996S03	CER., 100pF			
C506	21E09996S03	CER., 100pF			
C507	08E04735S11	MYL., 2200pF			
C508	08E04735S11	MYL., 2200pF			
C509	21E04622S10	CER., 10pF			
C510	21E04622S10	CER., 10pF			
C511	23E04636S09	ELY., 100 μ F / 25V			
C512	23E04636S09	ELY., 100 μ F / 25V			
C515	08E04654S13	Plastic, 0.33 μ F			
C516	08E04654S13	Plastic, 0.33 μ F			
C517	21E10214S01	CER., 22pF			
C518	21E10214S01	CER., 22pF			
C519	21E10214S01	CER., 22pF			
C520	21E10214S01	CER., 22pF			
C521	23E04635S10	ELY., 10 μ F / 50V			
C522	23E04635S10	ELY., 10 μ F / 50V			
Resistors					
			R523	06E09483S05	Fuse, 100 ohm 1/4W
			R524	06E09483S05	Fuse, 100 ohm 1/4W
			R525	06E09483S05	Fuse, 100 ohm 1/4W
			R526	06E09483S05	Fuse, 100 ohm 1/4W
			R531	06E09483S01	Fuse, 4.7 ohm 1/4W
			R532	06E09483S01	Fuse, 4.7 ohm 1/4W
			R533	06E09483S01	Fuse, 4.7 ohm 1/4W
			R534	06E09483S01	Fuse, 4.7 ohm 1/4W
			R535	06E04639S03	M.O., 150 ohm 1W
			R536	06E04639S03	M.O., 150 ohm 1W
			R537	06E09483S01	Fuse, 4.7 ohm 1/4W
			R538	06E09483S01	Fuse, 4.7 ohm 1/4W
			R539	06E09483S01	Fuse, 4.7 ohm 1/4W
			R540	06E09483S01	Fuse, 4.7 ohm 1/4W
			R541	17E04642S02	Cement, 0.22 ohm 5W \times 2
			R542	17E04642S02	Cement, 0.22 ohm 5W \times 2
			R557	06E04639S05	M.O., 4.7 ohm 1W
			R558	06E04639S05	M.O., 4.7 ohm 1W
			R561	06E04640S01	M.O., 10 ohm 2W
			R576	06E04639S09	M.O., 68 ohm 1W
			R577	06E04640S01	M.O., 10 ohm 2W
			SVR501	18E09264S01	Variable, 1K ohm
			SVR502	18E09264S01	Variable, 1K ohm

Notes : ☆ : For A-321 Model Only, ★ : For A-331 Model Only,
Others : Common.

Symbol No.	Part No.	Description	Symbol No.	Part No.	Description
SUB P. C. Board					
IC's					
IC301	51E09990S01	NJM4580L	C305	23E04635S07	ELY., 4.7 μ F / 50V
IC302	51E09990S01	NJM4580L	C306	23E04635S07	ELY., 4.7 μ F / 50V
IC303	51E09990S01	NJM4580L	C307	21E04622S07	CER., 33pF
IC601	51E09993S01	NJM7812FA	C308	21E04622S07	CER., 33pF
or	51T94884F04	MC7812CT	C309	23E09994S02	ELY., (B.P) 22 μ F / 25V
IC602	51E09805S01	NJM78M12FA	C310	23E09994S02	ELY., (B.P) 22 μ F / 25V
or	51E05536S01	MC78M12CT	C311	08E04735S09	MYL., 0.022 μ F
IC603	51E09991S01	NJM79M12FA	C312	08E04735S09	MYL., 0.022 μ F
or	51E09992S01	MC79M12CT	C313	08E04654S10	Plastic, 0.15 μ F
			C314	08E04654S10	Plastic, 0.15 μ F
Diodes					
D601	48E08024S01	1N5402	C315	21E09996S03	CER., 100pF
D602	48E08024S01	1N5402	C316	21E09996S03	CER., 100pF
D603	48E08024S01	1N5402	C317	23E05501S04	ELY., (B.P) 4.7 μ F / 50V
D604	48E08024S01	1N5402	C318	23E05501S04	ELY., (B.P) 4.7 μ F / 50V
D605	48S40477U02	1N4002	C319	21E04622S10	CER., 10pF
or	48E09802S01	1N4002A	C320	21E04622S10	CER., 10pF
D606	48S40477U02	1N4002	C321	23E09994S02	ELY., (B.P) 22 μ F / 25V
or	48E09802S01	1N4002A	C322	23E09994S02	ELY., (B.P) 22 μ F / 25V
D607	48S40477U02	1N4002	C323	21E09996S04	CER., 1000pF
or	48E09802S01	1N4002A	C324	21E09996S04	CER., 1000pF
D608	48S40477U02	1N4002	C325	23E04754S04	ELY., 22 μ F / 16V
or	48E09802S01	1N4002A	C326	23E04754S04	ELY., 22 μ F / 16V
D609	48S40477U02	1N4002	C327	23E04754S04	ELY., 22 μ F / 16V
or	48E09802S01	1N4002A	C328	23E04754S04	ELY., 22 μ F / 16V
			C329	23E04754S04	ELY., 22 μ F / 16V
Switches / Jack					
SW301	40E10001S01	Push SPUN12 (CD STRAIGHT)	C330	23E04754S04	ELY., 22 μ F / 16V
SW302	40E10002S01	Push SPUN12 (MONO)	C331	21E09996S02	CER., 330pF
SW901	40E10003S01	Push SPUN24 (SPEAKERS (A))	C332	21E09996S02	CER., 330pF
SW902	40E10003S01	Push SPUN24 (SPEAKERS (B))	C601	23E04754S03	ELY., 100 μ F / 16V
JK901	09E09066S01	Jack (PHONES)	C602	23E04754S05	ELY., 47 μ F / 16V
Capacitors					
C301	21E04622S27	CER., 5.6pF	C603	23E04754S05	ELY., 47 μ F / 16V
C302	21E04622S27	CER., 5.6pF	C604	23E04636S05	ELY., 1000 μ F / 25V
C303	23E05501S04	ELY., (B.P) 4.7 μ F / 50V	C605	23E04636S05	ELY., 1000 μ F / 25V
C304	23E05501S04	ELY., (B.P) 4.7 μ F / 50V	C606	21E09997S01	CER., 0.022 μ F
			C607	21E09997S01	CER., 0.022 μ F
			C608	23E04635S03	ELY., 1 μ F / 50V
			C609	21E04631S02	CER., 0.022 μ F
			C610	21E04631S02	CER., 0.022 μ F
			C611	21E09997S02	CER., 0.047 μ F
			C612	21E09997S01	CER., 0.022 μ F
			C613	21E04631S02	CER., 0.022 μ F
			C614	21E04631S02	CER., 0.022 μ F
			C616	21E04631S01	CER., 0.01 μ F
			C901	21E09996S05	CER., 560pF
			C902	21E09996S05	CER., 560pF
			C903	21E04631S02	CER., 0.022 μ F

Symbol No.	Part No.	Description
Resistors		
☆	R602	06E10011S01 M.O., 300 ohm 3W
★	R602	06E10011S02 M.O., 270 ohm 3W
	R604	06E09483S04 Fuse, 1 ohm 1/4W
	R605	06E09483S04 Fuse, 1 ohm 1/4W
	R902	06E04640S04 M.O., 270 ohm 2W
	R903	06E04640S04 M.O., 270 ohm 2W
	VR302	18E09266S01 Rotary Volume (BALANCE)
	VR303	18E09267S01 Rotary Volume (TREBLE)
	VR304	18E09267S01 Rotary Volume (BASS)
★ Video P. C. Board		
IC's		
	IC801	51T35588W01 LA7952
	IC802	51T35588W01 LA7952
Diodes		
	D801	48E04616S01 1N4148
	D802	48E04616S01 1N4148
	D803	48E04616S01 1N4148
	D804	48E04616S01 1N4148
Coil		
	L801	24E09998S01 100 μ F
Capacitors		
	C801	23E04635S07 ELY., 4.7 μ F / 50V
	C802	23E06052S04 ELY., 470 μ F / 10V
	C803	23E04635S07 ELY., 4.7 μ F / 50V
	C804	23E06052S04 ELY., 470 μ F / 10V
	C805	23E04635S07 ELY., 4.7 μ F / 50V
	C806	23E06052S04 ELY., 470 μ F / 10V
	C807	23E04754S09 ELY., 330 μ F / 16V
	C808	23E06052S04 ELY., 470 μ F / 10V
	C809	23E04754S09 ELY., 330 μ F / 16V
	C810	23E06052S04 ELY., 470 μ F / 10V

Symbol No.	Part No.	Description
	C811	21E09996S04 CER., 1000pF
	C812	21E09996S04 CER., 1000pF
	C813	23E04754S04 ELY., 22 μ F / 16V
	C814	23E04754S04 ELY., 22 μ F / 16V
	C815	23E04754S08 ELY., 33 μ F / 16V
	C816	23E06052S01 ELY., 1000 μ F / 10V
Function P. C. Board		
LED's		
	LD401	48E10005S01 SLR-34VC3 (RED)
	LD402	48E10005S01 SLR-34VC3 (RED)
	LD403	48E10006S01 SLR-34DC3 (ORG)
	LD404	48E10006S01 SLR-34DC3 (ORG)
	LD405	48E10006S01 SLR-34DC3 (ORG)
	LD406	48E10005S01 SLR-34VC3 (RED)
	LD407	48E10006S01 SLR-34DC3 (ORG)
Switches		
	SW401	40E09999S01 Push SPEC 42 (TAPE)
☆	SW402	40E10000S01 Push SPEC 22 (DAT)
★	SW402	40E09999S01 Push SPEC 42 (DAT / VCR)
	SW403	40E10000S01 Push SPEC 22 (TUNER)
☆	SW404	40E10000S01 Push SPEC 22 (CD)
★	SW404	40E10000S01 Push SPEC 22 (CD / LD)
☆	SW405	40E10000S01 Push SPEC 22 (AUX-1)
★	SW405	40E10000S01 Push SPEC 22 (AV)
☆	SW406	40E10000S01 Push SPEC 22 (PHONO / AUX-2)
★	SW406	40E10000S01 Push SPEC 22 (PHONO / AUX)
SP Terminal P. C. Board		
Capacitors		
	C904	21E09997S03 CER., 0.022 μ F
	C905	21E09997S03 CER., 0.022 μ F
	C906	21E09997S03 CER., 0.022 μ F
	C907	21E09997S03 CER., 0.022 μ F
	C908	21E04631S04 CER., 0.047 μ F
	C909	21E04631S04 CER., 0.047 μ F

Notes : ☆ : For A-321 Model Only,
Others : Common.

★ : For A-331 Model Only,

Packing Assembly Parts List

Symbol No.	Part No.	Description	Symbol No.	Part No.	Description
Phase Sensor P. C. Board			SP901	09E09255S01	Speaker Terminal (8P)
Neon Lamp			SW601	40E04667S01	Push Switch SDDL B1 (POWER)
NL701	65E10015S01	NE-1M	SW602	40E10004S01	Voltage Selector Switch SDKGA4 (220V / 240V)
Resistors			☆ T601	25E10014S01	Power Trans
R701	06E04639S10	M.O., 2.4Mohm 1W	★ T601	25E10026S01	Power Trans
R702	06E04639S10	M.O., 2.4Mohm 1W	PO501	48E09280S01	Posistor, ZPP221A501A
Miscellaneous			VR301	18E08098S01	Rotary Volume (VOLUME CONTROL)
☆ C616	08E04663S01	CAP., Line 0.01μF			
☆ F601	65E09767S01	Fuse (250V-2A)			
☆ JK201	09E09252S01	RCA Jack (PHONO / AUX-2)			
★ JK201	09E09252S01	RCA Jack (PHONO / AUX)			
☆ JK401	09E09251S01	RCA Jack (AUX-1, CD)			
★ JK401	09E09251S01	RCA Jack (AV, CD / LD)			
☆ JK402	09E09251S01	RCA Jack (TUNER, DAT IN)			
★ JK402	09E09251S01	RCA Jack (TUNER, DAT / VCR IN)			
☆ JK403	09E09251S01	RCA Jack (DAT OUT, TAPE IN)			
★ JK403	09E09251S01	RCA Jack (DAT / VCR OUT, TAPE IN)			
JK404	09E09989S01	RCA Jack (TAPE OUT, SIGNAL PROCESSOR IN / OUT)			
JK801	09E10028S01	RCA Jack (AV / LV / VCR)			
JK802	09E10029S01	RCA Jack (VCR OUT / TU MONITOR OUT)			
LD601	48E10006S01	LED, SLR-34DC3 (ORG)			
P601	28E04687S01	Plug AC Cord			
Q511	48E10008S01	Transistor, 2SC3787			
or	48T69176F02	Transistor, 2SC3421			
Q512	48E10008S01	Transistor, 2SC3787			
or	48T69176F02	Transistor, 2SC3421			
☆ Q517	48E08016S02	Transistor, 2SC4467			
★ Q517	48E10010S01	Transistor, 2SC4468			
☆ Q518	48E08016S02	Transistor, 2SC4467			
★ Q518	48E10010S01	Transistor, 2SC4468			
☆ Q519	48E08017S02	Transistor, 2SA1694			
★ Q519	48E09825S01	Transistor, 2SA1695			
☆ Q520	48E08017S02	Transistor, 2SA1694			
★ Q520	48E09825S01	Transistor, 2SA1695			

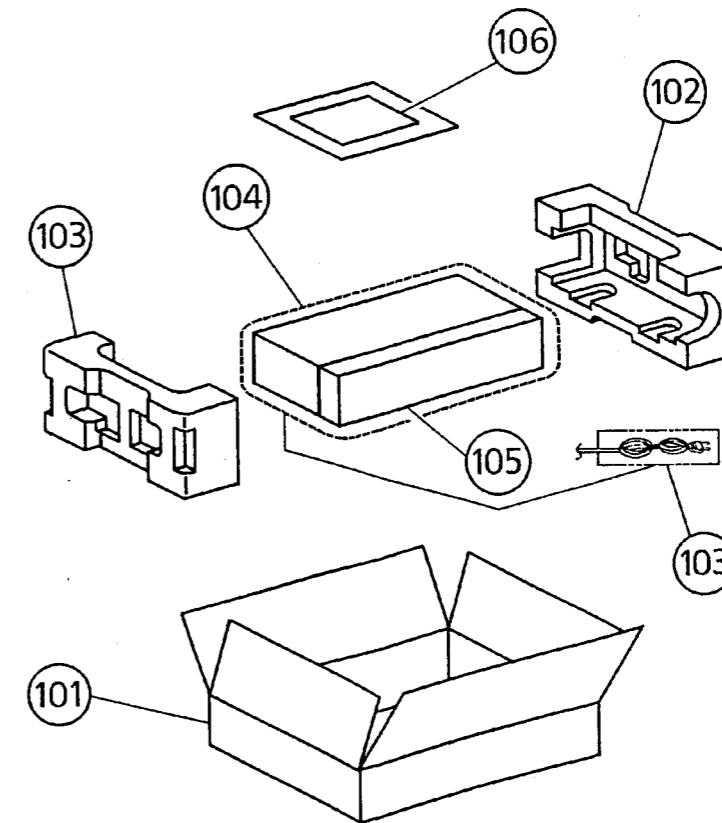
Notes : ☆ : For A-321 Model Only,
Others : Common.

★ : For A-331 Model Only,

	Syl No.	Part No.	Description	Symbol No.	Part No.	Description
△	101	56E10149S01	Carton, Packing (Individual)			
▲	101	56E10150S01	Carton, Packing (Individual)			
○	101	56E10016S01	Carton, Packing (Individual)			
●	101	56E10031S01	Carton, Packing (Individual)			
□	101	56E10017S01	Carton, Packing (Individual)			
■	101	56E10032S01	Carton, Packing (Individual)			
	102	56E09290S01	Tray, Packing (R)			
	103	56E09290S02	Tray, Packing (L)			
	104	56E09291S01	High Poly Bag			
	105	56E10170S01	Sheet			
	106	68P21552W57	Owner's Manual			
	107	56E04782S01	Poly, Bag			

Notes : △ : For Without Safety Regulations Version (Black Type) [EK] (A-321)
 ○ : For With Safety Regulations Version (Black Type) [AD] (A-321)
 □ : For Without Safety Regulations Version (Champagne Gold Type) [AD] (A-321)
 ▲ : For Without Safety Regulations Version (Black Type) [EK] (A-331)
 ● : For With Safety Regulations Version (Black Type) [AD] (A-331)
 ■ : For Without Safety Regulations Version (Champagne Gold Type) [AD] (A-331)
 Others : Common.

Packing Method View



Cabinet Assembly Parts List

Note : The parts without parts list are not supplied.

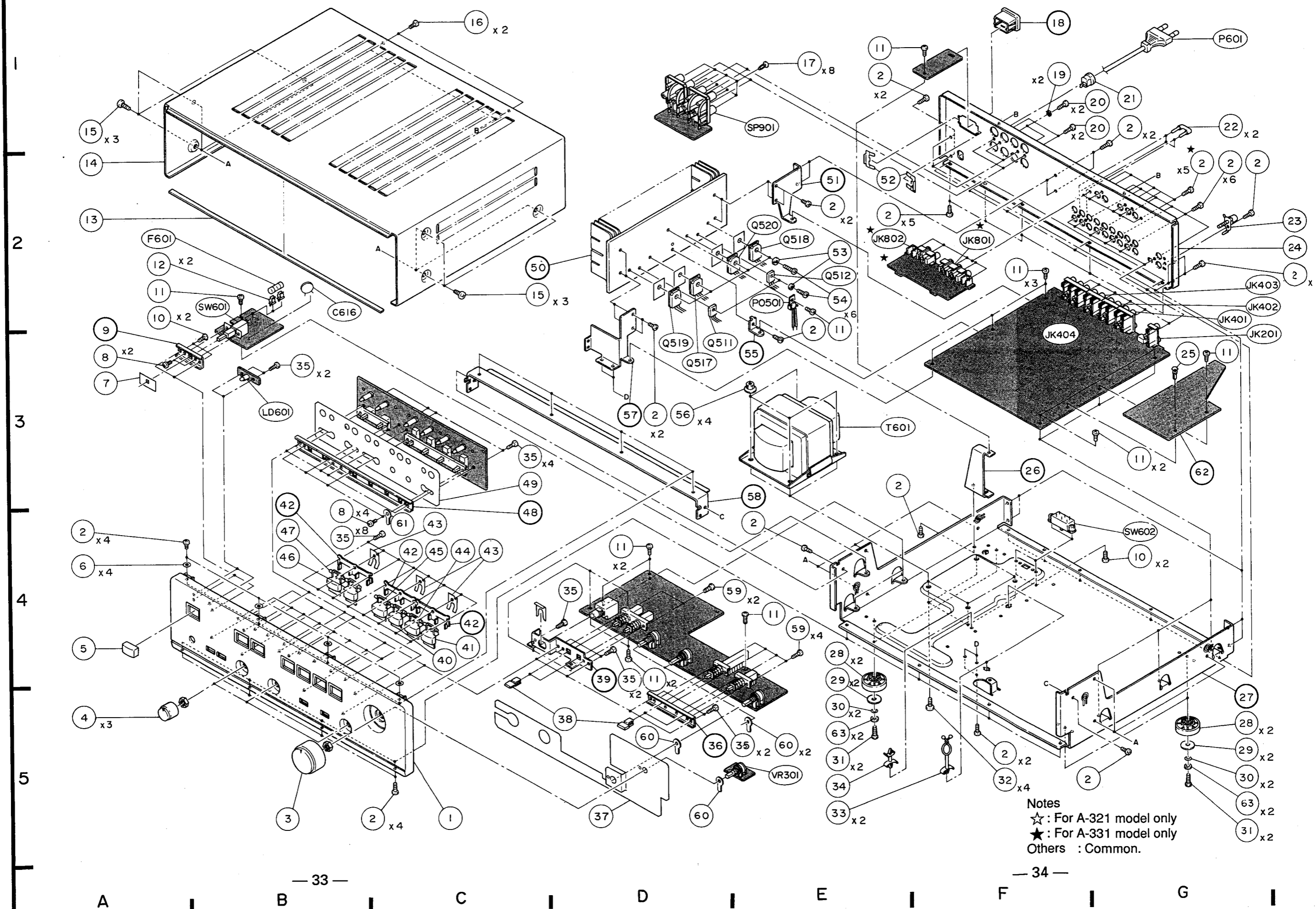
Symbol No.	Index	Part No.	Description	Symbol No.	Index	Part No.	Description
△	1	5-C 64E10159S01	Assy., Front Panel	20		03E04701S04	Screw, Tap Tite (M3 x 10)
▲	1	5-C 64E10165S01	Assy., Front Panel	21	1-G	43E04688S01	Cord Bushing
○	1	5-C 64E10159S01	Assy., Front Panel	22	1-G	22E09489S01	Jumper Pin
●	1	5-C 64E10165S01	Assy., Front Panel	23	2-G	29E09299S01	Ground Terminal
□	1	5-C 64E10160S01	Assy., Front Panel	△	24	2-G 15E10145S01	Back Panel
■	1	5-C 64E10166S01	Assy., Front Panel	▲	24	2-G 15E10146S01	Back Panel
	2	03E04701S01	Screw, Tap Tite (M3 x 8)	○	24	2-G 15E10018S01	Back Panel
△	3	5-B 36E09303S02	Knob (VOLUME CONTROL)	●	24	2-G 15E10030S01	Back Panel
▲	3	5-B 36E09303S02	Knob (VOLUME CONTROL)	□	24	2-G 15E10018S01	Back Panel
○	3	5-B 36E09303S02	Knob (VOLUME CONTROL)	■	24	2-G 15E10030S01	Back Panel
●	3	5-B 36E09303S02	Knob (VOLUME CONTROL)	25	3-G	05E04709S01	Nylon Rivet
□	3	5-B 36E09303S03	Knob (VOLUME CONTROL)	28		75E08701S01	Foot
▲	3	5-B 36E09303S03	Knob (VOLUME CONTROL)	29		75E09820S01	Pad
△	4	5-A 36E09302S01	Knob (Treble / bass)	30		04E09765S01	Washer, Plan (M4)
▲	4	5-A 36E09302S01	Knob (Treble / bass)	31		03E04701S07	Screw, Tap Tite (M4 x 14)
○	4	5-A 36E09302S01	Knob (Treble / bass)	32	5-F	03E04702S05	Screw, Tap Tite (M4 x 12)
●	4	5-A 36E09302S01	Knob (Treble / bass)	33	5-E	29E10168S01	Cable Clip
□	4	5-A 36E09763S01	Knob (Treble / bass)	34	5-E	29E10169S01	Double Clip
■	4	5-A 36E09763S01	Knob (Treble / bass)	35		03E04704S03	Screw, Tap Tite (M2.6 x 8)
△	5	4-A 36E09304S02	Knob (POWER)	37	5-D	26E10022S01	Shield Sheet
▲	5	4-A 36E09304S02	Knob (POWER)	△	38	5-D 36E09304S01	Knob (CD straight / mono Speakers A / B)
○	5	4-A 36E09304S02	Knob (POWER)	▲	38	5-D 36E09304S01	Knob (CD straight / mono Speakers A / B)
●	5	4-A 36E09304S02	Knob (POWER)	○	38	5-D 36E09304S01	Knob (CD straight / mono Speakers A / B)
□	5	4-A 36E09304S03	Knob (POWER)	●	38	5-D 36E09304S01	Knob (CD straight / mono Speakers A / B)
■	5	4-A 36E09304S03	Knob (POWER)	□	38	5-D 36E09304S04	Knob (CD straight / mono Speakers A / B)
	6	4-A 04E05029S02	Washer (M3)	■	38	5-D 36E09304S04	Knob (CD straight / mono Speakers A / B)
	7	3-A 43E10024S01	Spacer	△	40	4-C 36E10161S01	Knob (CD)
	8	03E04775S02	Screw, (M3 x 6)	▲	40	4-C 36E10161S13	Knob (CD / LD)
	10	03E04701S03	Screw, Tap Tite (M2.6 x 8)	○	40	4-C 36E10161S01	Knob (CD)
	11	03E04704S01	Screw, Tap Tite (M3 x 8)	●	40	4-C 36E10161S13	Knob (CD / LD)
	12	2-A 09E09253S01	Fuse Clip	□	40	4-C 36E10161S02	Knob (CD)
	13	2-A 75E09311S01	Cushion	■	40	4-C 36E10161S14	Knob (CD / LD)
△	14	2-A 15E10019S01	Top Cabinet	△	41	4-C 36E10161S03	Knob (PHONO / AUX-2)
▲	14	2-A 15E10019S01	Top Cabinet	▲	41	4-C 36E10161S15	Knob (PHONO / AUX)
○	14	2-A 15E10019S01	Top Cabinet	○	41	4-C 36E10161S03	Knob (PHONO / AUX-2)
●	14	2-A 15E10019S01	Top Cabinet	●	41	4-C 36E10161S15	Knob (PHONO / AUX)
□	14	2-A 15E10020S01	Top Cabinet	□	41	4-C 36E10161S04	Knob (PHONO / AUX-2)
■	14	2-A 15E10020S01	Top Cabinet				
	15	03E04702S01	Screw, Tap Tite (M4 x 8)				
	16	1-C 03E07999S01	Screw, Tap Tite (M3 x 8)				
	17	1-E 29E10167S01	Canoe Clip				
	19	1-F 04E06190S01	Washer, Toothed (M3)				

Notes : △ : For Without Safety Regulations Version (Black Type) [EK] (A-321)
 ○ : For With Safety Regulations Version (Black Type) [AD] (A-321)
 □ : For Without Safety Regulations Version (Champagne Gold Type) [AD] (A-321)
 ▲ : For Without Safety Regulations Version (Black Type) [EK] (A-331)
 ● : For With Safety Regulations Version (Black Type) [AD] (A-331)
 ■ : For Without Safety Regulations Version (Champagne Gold Type) [AD] (A-331)
 Others : Common.

Symbol No.	Index	Part No.	Description	Symbol No.	Index	Part No.	Description
■	41	4-C 36E10161S16	Knob (PHONO / AUX)				
	43	41E10162S01	Leaf Spring				
△	44	4-C 36E10161S05	Knob (AUX-1)				
▲	44	4-C 36E10161S17	Knob (AV)				
○	44	4-C 36E10161S05	Knob (AUX-1)				
●	44	4-C 36E10161S17	Knob (AV)				
□	44	4-C 36E10161S06	Knob (AUX-1)				
■	44	4-C 36E10161S18	Knob (AV)				
△	45	4-C 36E10161S07	Knob (TUNER)				
▲	45	4-C 36E10161S07	Knob (TUNER)				
○	45	4-C 36E10161S07	Knob (TUNER)				
●	45	4-C 36E10161S07	Knob (TUNER)				
□	45	4-C 36E10161S08	Knob (TUNER)				
■	45	4-C 36E10161S08	Knob (TUNER)				
△	46	4-B 36E10161S09	Knob (DAT)				
▲	46	4-B 36E10161S19	Knob (DAT / VCR)				
○	46	4-B 36E10161S09	Knob (DAT)				
●	46	4-B 36E10161S19	Knob (DAT / VCR)				
□	46	4-B 36E10161S10	Knob (DAT)				
■	46	4-B 36E10161S20	Knob (DAT / VCR)				
△	47	4-B 36E10161S11	Knob (TAPE)				
▲	47	4-B 36E10161S11	Knob (TAPE)				
○	47	4-B 36E10161S11	Knob (TAPE)				
●	47	4-B 36E10161S11	Knob (TAPE)				
□	47	4-B 36E10161S12	Knob (TAPE)				
■	47	4-B 36E10161S12	Knob (TAPE)				
	49	3-C 26E10023S01	Shield Sheet				
	52	2-E 41E10163S01	Leaf Spring				
	53	2-E 04E09306S01	Washer, Spring (M3)				
	54	2-E 03E04704S05	Screw, Tap Tite (M3 x 12)				
	56	3-D 02E06181S01	Nut, Flange (M4)				
	59	03E08004S01	Screw, Tap Tite (M3 x 6)				
	60	5-D 29E10021S01	Lug				
	61	4-C 29E09300S01	Lug				
	63	04E09766S01	Washer, Spring (M4)				

Notes : △ : For Without Safety Regulations Version (Black Type) [EK] (A-321)
 ○ : For With Safety Regulations Version (Black Type) [AD] (A-321)
 □ : For Without Safety Regulations Version (Champagne Gold Type) [AD] (A-321)
 ▲ : For Without Safety Regulations Version (Black Type) [EK] (A-331)
 ● : For With Safety Regulations Version (Black Type) [AD] (A-331)
 ■ : For Without Safety Regulations Version (Champagne Gold Type) [AD] (A-331)
 Others : Common.

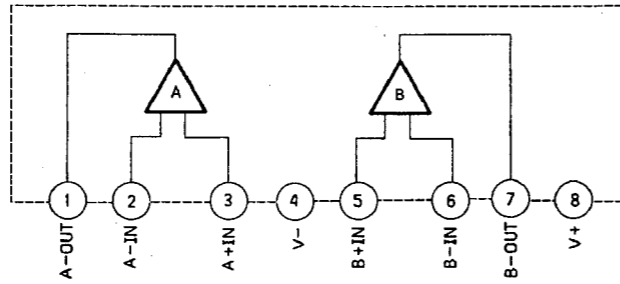
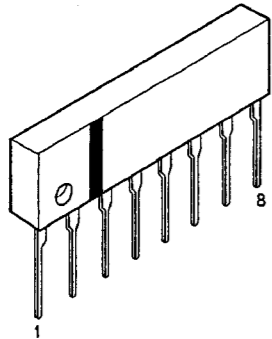
Exploded View (Cabinet)



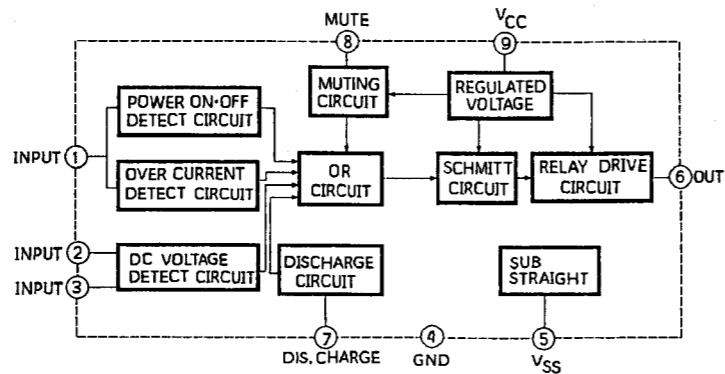
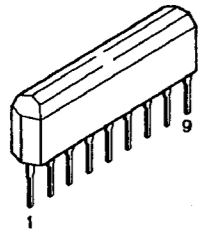
Notes
 ☆ : For A-321 model only
 ★ : For A-331 model only
 Others : Common.

Semi - Conductor Lead Identifications

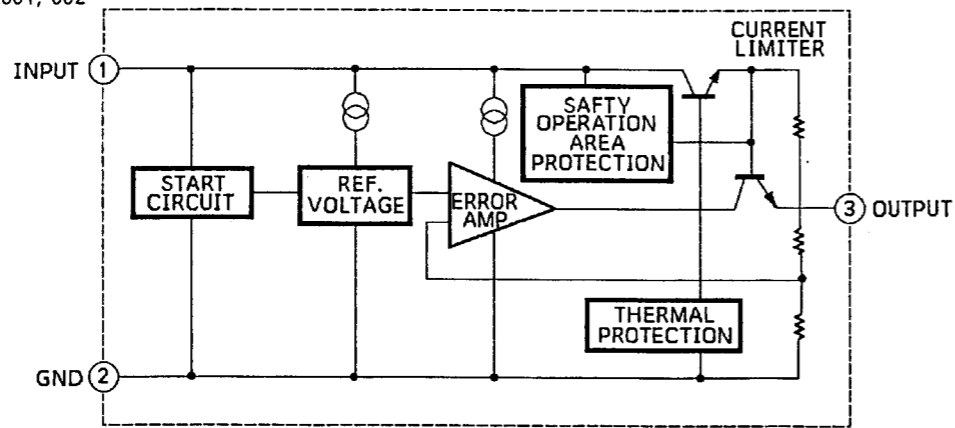
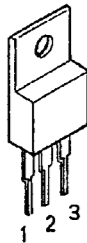
NJM4580L : IC201, 301~303



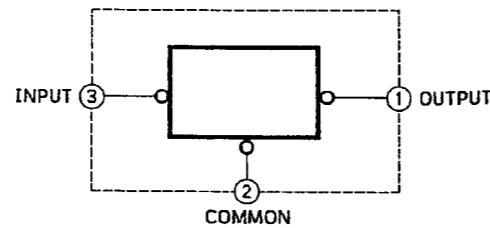
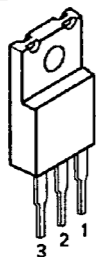
TA7317P : IC501



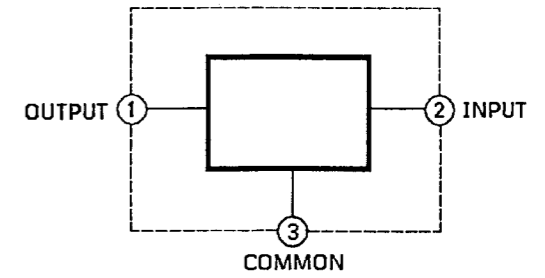
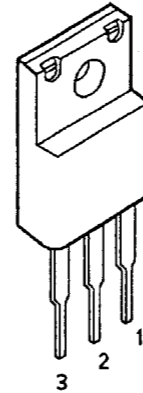
MC7812CT
MC78M12CT : IC601, 602



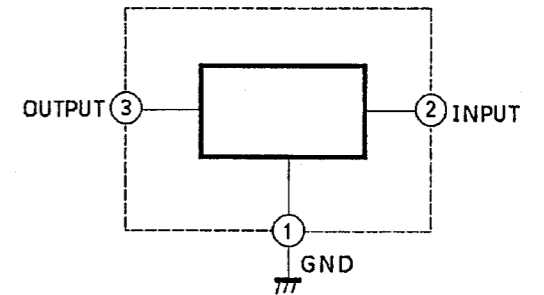
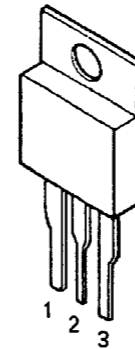
NJM7812FA
NJM78M12FA : IC601, 602



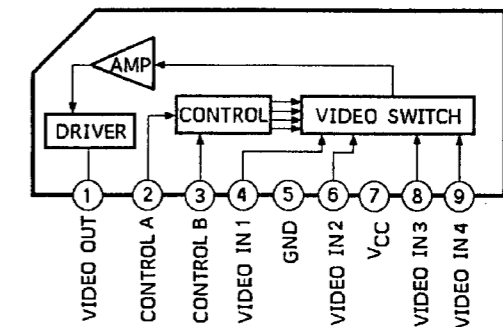
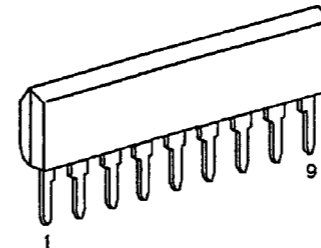
NJM79M12FA : IC603



MC79M12CT : IC603



★LA7952 : IC801, 802



Note : ☆ : For A-321 Model only, ★ : For A-331 Model only, Others : Common.