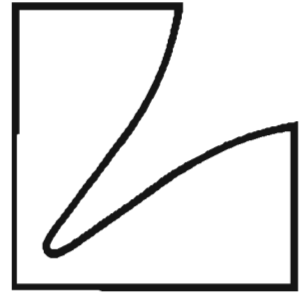
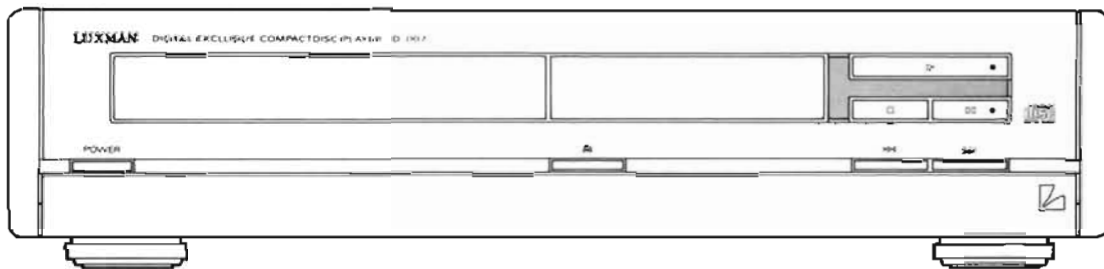


SERVICE MANUAL



Digital Exclusive Compact Disk Player **D-007**



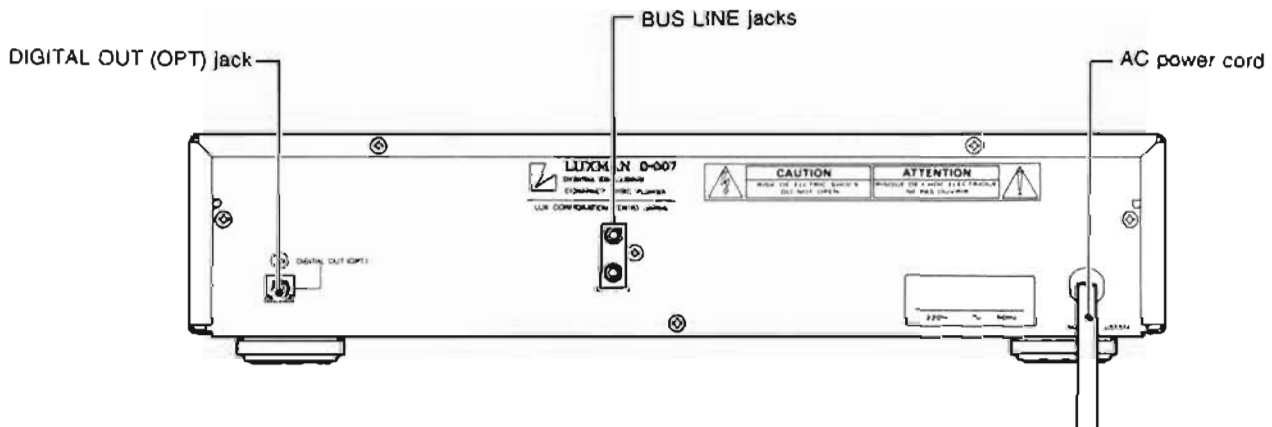
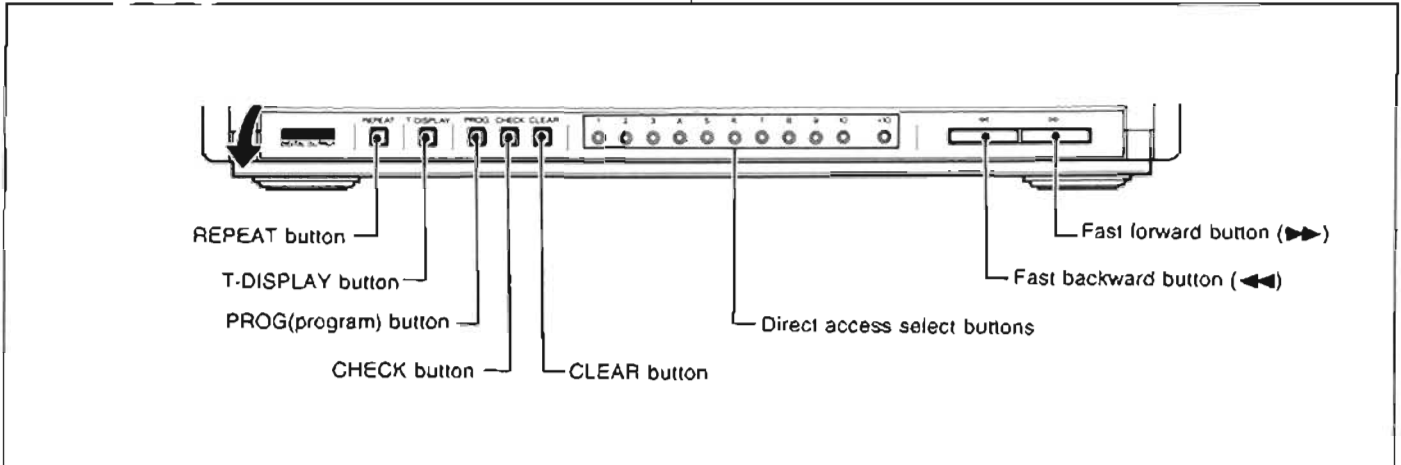
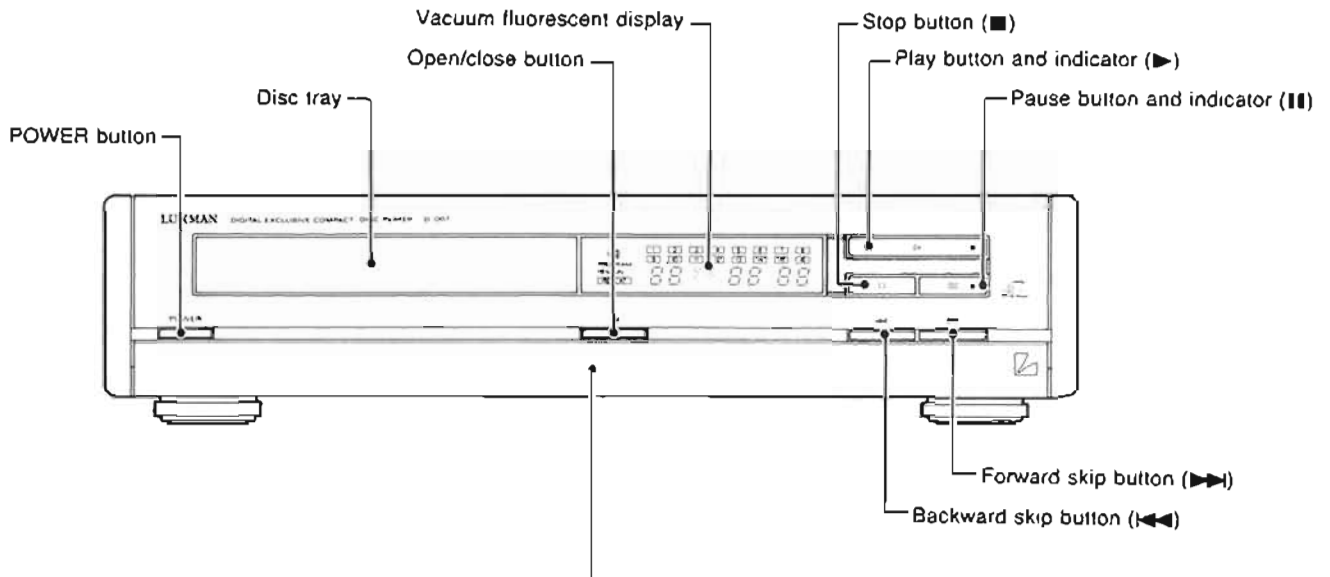
Contents

Specifications	2
Controls, Switches, Jacks & Terminals	3
Operation Guidelines	4
Care & Maintenance	7
Disassembly Instructions	8
Adjustment Procedures	10
Adjustment Locations	12
Block Diagram	13
Schematic Diagram	15
Parts Layout on P.C. Boards and Wiring Diagram	19
Electrical Parts List	23
Cabinet Assembly Parts List	26
Exploded View (Cabinet)	27
Exploded View (Deck)	29
Mechanism Assembly Parts List	31
Packing Assembly Parts List	32
Packing Method View	32
Semi-Conductor Lead Identifications	33

Specifications

System	Optical (Compact Disc System)
Quantization	16 bit linear
Channels	2 (stereo)
Wow and flutter	Unmeasurable
Digital Output Level (Opt)	-21 ~ -15 dBm
Pickup	Semiconductor laser type
Track location	By track
Power supply	AD, AG: AC120/220/240V, 50 Hz UZ: AC120V, 60 Hz JA: AC100V, 50/60 Hz
Power consumption	UZ: 14 watts AD, AG, JA: 11 watts
Dimensions	360 (W) x 90 (H) x 352 (D) mm
Weight	4.1 kg

Controls, Switches, Jacks & Terminals



Operation Guidelines

INITIAL SET-UP

Turn the power on to the component to be used.
Turn the volume of the amplifier fully down, then adjust it to a suitable level just prior to playback.

Press the Open/Close Button on the D-007 and set a disc on the disc tray, label side up.

NOTE: To place an 8 cm single CD on the disc tray, align the edge of the disc with the groove for the 8 cm single CD on the disc tray.

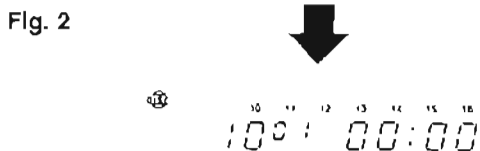
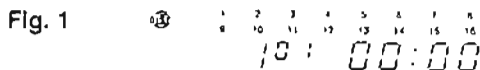
NORMAL PLAY



1. After the disc is loaded, press the Play Button.
2. Playback will begin from the first track number, continuing through the remaining tracks. As each track is completed, the number corresponding to it on the display will turn off.

NOTE: If the Repeat function is on, these numbers on the display will not turn off.

3. Playback automatically stop after the last track on the disc is played (unless in Repeat mode).

Examples:



In Figure 1, all the track numbers are displayed and the first coming track is displayed as 1 near the "DISC" () symbol. In Figure 2, the tracks 1 through 9 have already been played back, and track 10 is currently in playback. The number 10 is displayed near the "DISC" () symbol.

Press the pause button to temporarily cease playback or to cue up a track or segment for recording, etc. To resume playback, press the "pause" button again or press the play button.

NOTE: Fast Forward/Backward skip and scan operations are still operable in the "pause" mode.

Press the stop button will stop playback and return the pick-up the beginning of the disc. A second press will clear (reset) all memory contents.

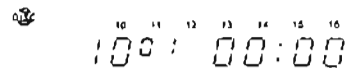
DIRECT ACCESS

1. Use the Direct Access Select Buttons (item #5) to specify a desired track.
2. All track numbers before this track will be cleared from the display, and playback will begin immediately.
3. Playback will stop automatically after the last track is played (unless in Repeat mode).

NOTE: If the Repeat function is on, the pickup will move to the desired track and playback will begin, then continue through all the tracks remaining on the disc. It will then go back to the beginning of the disc and into continuous repeat.

Direct Access to the 10th Track

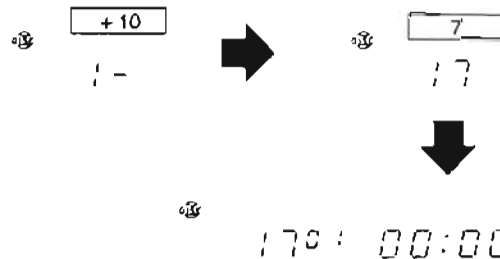
Press either Direct Access Select Button "10" or "+10" and the Play Button.



Direct Access From the 11th Track to the 19th Track

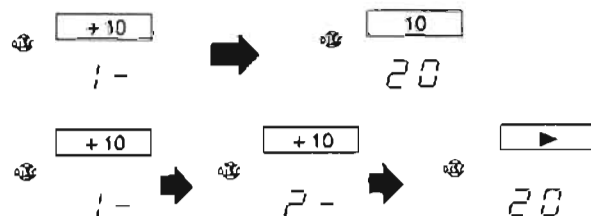
Press the Direct Access Select Buttons "+10" and a number from 1 through 9.

Example: For direct access to the 17th track, press "+10" and "7".



Direct Access to the 20th Track

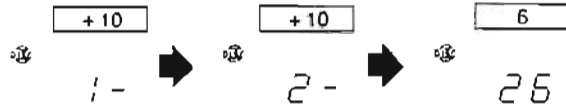
Press the Direct Access Select Buttons "+10" and "10", or "+10" twice and the Play Button.



Direct Access to the 21st Track and Above

Press the Direct Access Select Button "+10" twice, then press a number from 1 through 9.

Example: For direct access to track 26, press "+10", "+10" and "6".



NOTE: Direct Access will be cancelled unless a Direct Access Select Button other than "+10", the Play Button, or the Pause Button is pressed within about 5 seconds after pressing "+10".

The "+10" Button will not operate with discs containing 10 or fewer tracks.

PROGRAMMED PLAY OPERATIONS

Programming

1. Press the Program Button. "PROGRAM" will appear on the display. Choose a track number using the Direct Access Select Buttons. A red frame will light around that track number, and every other track number you program subsequently.

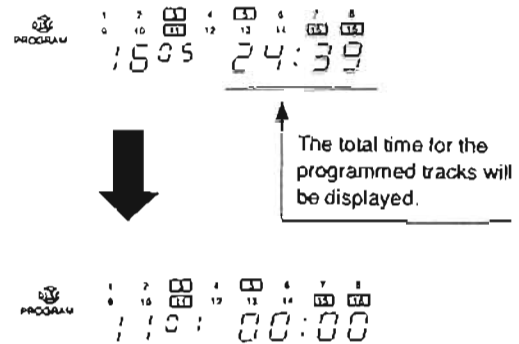
NOTE: For programming a track number higher than 10 on the disc, follow the instructions under "DIRECT ACCESS" for selecting the track number.

2. A maximum of 16 tracks can be programmed. If an attempt is made to program a 17th track, "FULL" will appear on the display for approximately 4 seconds, indicating that no more tracks can be programmed.
3. Programmed playback will begin immediately after the Play Button is pressed, beginning with the first track placed in memory.

NOTE: Programming can only be done in the Stop mode.

Example for Programming Tracks 11, 3, 5, 15 and 16

1. Press the Program Button.
2. Specify tracks 11, 3, 5, 15 and 16 using the Direct Access Select Buttons.
(Press "+10", "1", "3", "5", "+10", "5", "+10" and "6").



3. Press Play Button.

4. Playback stops when all programmed tracks have been played.

5. The red frame around each track number will disappear as that track is played. All remaining tracks will have a frame around them.

NOTE: If the Repeat Button has been pressed, "REPEAT" will be displayed and the frames around the track numbers will re-appear when the sequence repeats. Only those tracks programmed will be repeated.

Memory Check

Use the CHECK button to check the order of the selections that have been programmed. With each successive push of this button, the track numbers that have been programmed will be shown to the left and the programmed order to the right in the track display area (the time portion of the display will turn off).

NOTE: "CHECK" operates only in the "Stop" mode.

Clearing Programs

1. To clear program from memory, you must be in Stop mode. Simply press the CLEAR Button once for each track number you wish to clear.

NOTE: Clearing will begin with the last track programmed.

2. To clear program from memory, you must be in Stop mode. Call the desired track by the check button, and press the CLEAR Button for clearing will begin with the displayed track.
3. To clear the entire program, either press the Program Button again or press the Stop (reset) Button twice.

Repeat

When the Repeat Button is pressed during normal playback, all tracks on the disc will be repeated continuously.

If the Repeat Button is pressed during programmed playback, all tracks will be repeated continuously.

To cancel to Repeat mode, press the Repeat Button again and playback will continue to the end of the disc then stop, or press the Stop (reset) Button and playback will stop immediately.

TO SKIP TRACKS FORWARD OR BACKWARD

TO SKIP TRACKS FORWARD

- ▶▶ ... Each pressing of the forward skip button skips tracks in forward direction one by one, and the next track is played from the beginning.
- ▶▶▶ ... Keep the forward button pressed for fast forwarding.

TO SKIP TRACKS BACKWARD

- ◀◀ ... One pressing of the backward skip button repeats the current track from the beginning. Further pressing skips tracks in backward direction one by one, and the next track is played from the beginning.
- ◀◀◀ ... Keep the backward button pressed for fast reversing.

TO CHANGE THE INDICATION

Each press of the T-DISPLAY button selects either following disc timing displays:

"Single Elapsed" — Time elapsed since beginning of current track. This occurs with "REMAIN" indicator OFF.

"Total Remain" — Play time remaining on entire disc. This occurs with "REMAIN" indicator ON.

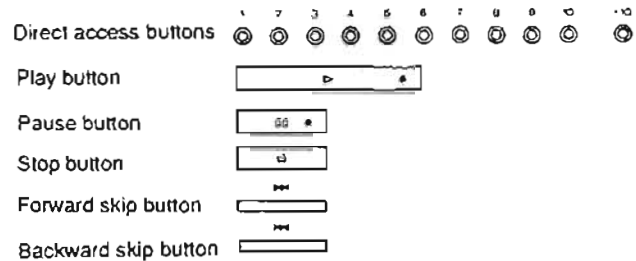
NOTE 1. When in programmed play mode, the remaining time displayed will be that of the selections programmed, not the entire disc.

NOTE 2. If the Skip or Scan Buttons are used during programmed playback, the remaining time display will turn off.

By joining the D-007 to the L component system (A-007, K-007, T-007, etc.), remote control, timer-activated play, timer-activated programmed play and synchronized recording can be performed.

OPERATION WITH THE REMOTE CONTROL UNIT

When the BUS LINE jacks are connected to the L component system, the following buttons can be operated with the RA-007 remote control unit. For further details, refer to the owner's manual of the A-007 amplifier.



TIMER ACTIVATED PLAY/PROGRAMMED PLAY

When the BUS LINE jacks are connected to the L component system, timer activated play or programmed play can be performed using the timer function of the T-007 tuner.

- Set the turn-on time and turn-off time using the timer of the T-007. Press the TIMER button to indicate the timer indication on the display. For further details, refer to the owner's manual of the T-007 tuner.
- Press CD of the input select buttons of the A-007 amplifier. For further details, refer to the owner's manual of the A-007 amplifier.
- Place the compact disc to be played.
 - For programmed play, program tracks in the desired order in advance.
- Press the POWER button of the A-007 amplifier and turn off the power.
- When the turn-on time set with the T-007 has come, play or programmed play is started.

SYNCHRONIZED RECORDING

When the BUS LINE jacks are connected to the L component system, synchronized recording can be performed. With the touch of a button on the A-007 amplifier, the K-007 cassette deck is set to recording mode and simultaneously CD play is started.

- Insert a cassette tape on deck B of the K-007 cassette deck and perform preparatory operation for recording. For further details, refer to the owner's manual of the K-007 cassette deck.
- Press CD of the input select buttons and set the REC SELECTOR to "CD/ex. digital" on the A-007 amplifier. For further details, refer to the owner's manual of the A-007 amplifier.
- Place the compact disc to be recorded on this unit.
 - To record tracks in the desired order, perform programmed play operation.

- Press the "synchro" button of the A-007 amplifier. The K-007 cassette deck is set to recording mode and simultaneously this unit starts playing.
- Set this unit to pause mode during synchronized recording, and the K-007 cassette deck is set to recording pause mode after a 4 second blank has been inserted. On the other hand, when the K-007 cassette deck is set to recording pause mode, this unit is set to stop mode simultaneously.
- Set this unit to stop mode during synchronized recording, and the K-007 cassette deck is set to stop mode after a 4 second blank has been inserted. On the other hand, when the K-007 cassette deck is set to stop mode, this unit is set to stop mode simultaneously.

Care & Maintenance

PRECAUTIONS

Condensation may occur inside the set if it is brought into a warm room from the cold or if a cold room is heated quickly. If this happens, drops of water may form on the pickup, scattering the laser beam and hampering operation.

The extent of condensation depends on various conditions, but if condensation should occur, remove the disc, turn on the power and wait at least one hour before using the unit.

PROPER CARE OF COMPACT DISCS

Improper handling of your discs will shorten their life. Hold discs so that you will not leave fingerprints on the surfaces.

When your discs are not in use, place them in their cases and store in a place away from the sun, high temperature, humidity, and dust. Should your discs require cleaning, use a clean soft cloth only. Do not use oil or chemically treated cloths.

CLEANING

The durable finish of the knobs and front panel will last indefinitely with proper care and cleaning. Never use scouring pads, steel wool, scouring powders, or harsh chemical agents, such as lye solution. These will mar the finish. Clean with a soft, lint-free cloth or cotton swab slightly dampened with a mild solution of detergent and water.

REPACKING FOR SHIPMENT

Should it become necessary to ship your D-007 for any reason, use the original packing materials. If these are no longer available, be sure that adequate materials, at least equivalent to the original, are used.

REPAIRS

Only the most competent and qualified service technicians should be allowed to service the D-007.

The Luxman company and its factory-trained warranty station personnel have the knowledge and special equipment needed for repair and calibration of this precision instrument.

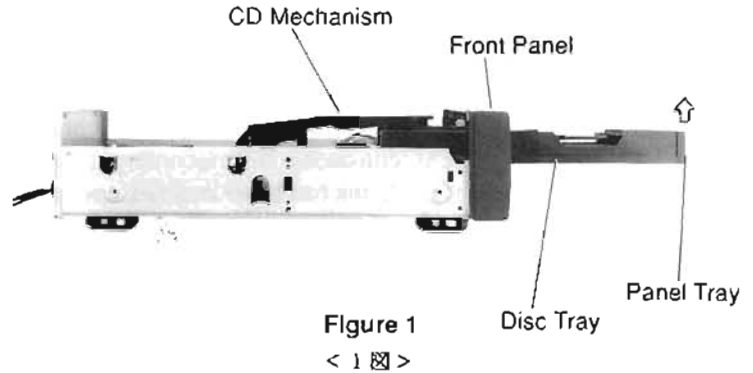
In the event of difficulty, call the Luxman Authorized Service Station nearest your home or business. In many cases, the dealer where you purchased your Luxman unit will be equipped to provide service.

Disassembly Instructions

<Cabinet Section>

1. Removal of CD Mechanism

- (1) After removal of the top cover, open the disc tray as shown in Figure 1.
- (2) Remove the panel tray in the arrow direction as shown in Figure 1.
- (3) Remove three screws marked "O" as shown in Figure 2.
- (4) Disconnect all connectors from the CD Mechanism.

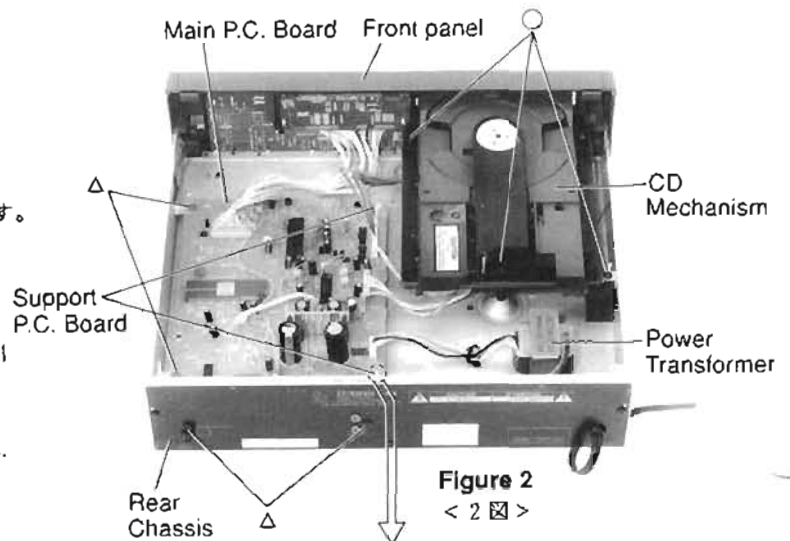


1. CDメカニズムの外し方

- (1) 上蓋を外した後、ディスプレイをオープンにします。
(1 図参照)
- (2) トレイパネルを矢印の方向に外します。(1 図参照)
- (3) 3本のネジ (O印) を外します。(2 図参照)
- (4) CDメカニズムから出ている全てのコネクタを外します。

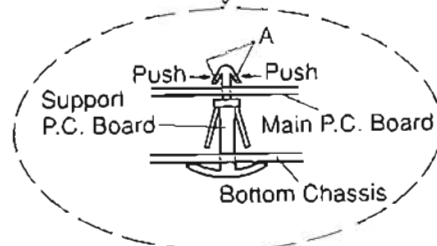
2. Removal of Keyboard P.C. Board

- (1) After removal of the tray panel, remove the front panel by disconnecting the all connectors from Main P.C. Board as shown in Figure 2.
- (2) Remove two screws marked "X" as shown in Figure 4.
- (3) Remove six hooks (A) as shown in Figure 4.
- (4) Removed with Keyboard P.C. Board and Power SW P.C. Board.



2. キーボード基板の外し方

- (1) トレイパネルを外した後、メイン基板から出ている全てのコネクタを外し、フロントパネルを外します。
(2 図参照)
- (2) 2本のネジ (X印) を外します。(4 図参照)
- (3) 2箇所のフック (A) を外します。(4 図参照)
- (4) キーボード基板と一緒にパワースイッチ基板も外れます。

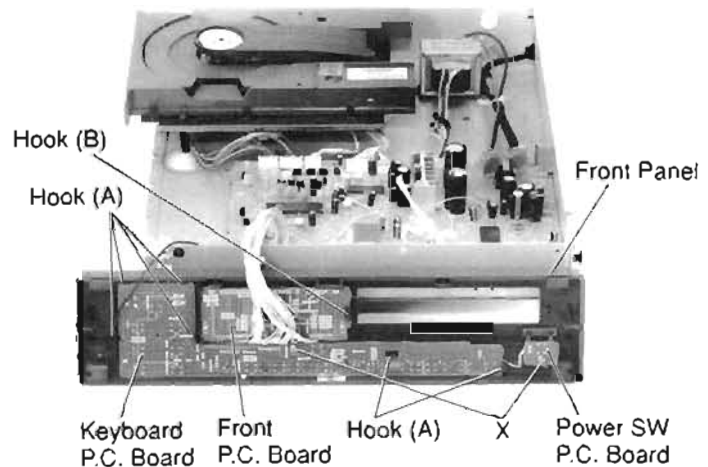


3. Removal of Power SW P.C. Board

- (1) Disconnect a connector from the Keyboard P.C. Board.

3. パワースイッチ基板の外し方

- (1) キーボード基板から出ているコネクタを外します。



4. Removal of Front P.C. Board

- (1) After removal of the tray panel, remove the front panel by disconnecting the all connectors from Main P.C. Board as shown in Figure 2.
- (2) Remove a hook (B) as shown in Figure 4.

4. フロント基板の外し方

- (1) トレイパネルを外した後、メイン基板から出ている全てのコネクタを外し、フロントパネルを外します。
(2 図参照)
- (2) 1箇所のフック (B) を外します。(4 図参照)

5. Removal of Main P.C. Board

- (1) After removal of the top cover, remove four screws marked "Δ" as shown in Figures 2.
- (2) Remove two P.C. Board supports from Main P.C. Board as shown in Figure 2, by pushing the point "A" as shown in Figure 3.
- (3) Disconnect all wires from Main P.C. Board.

5. メイン基板の外し方

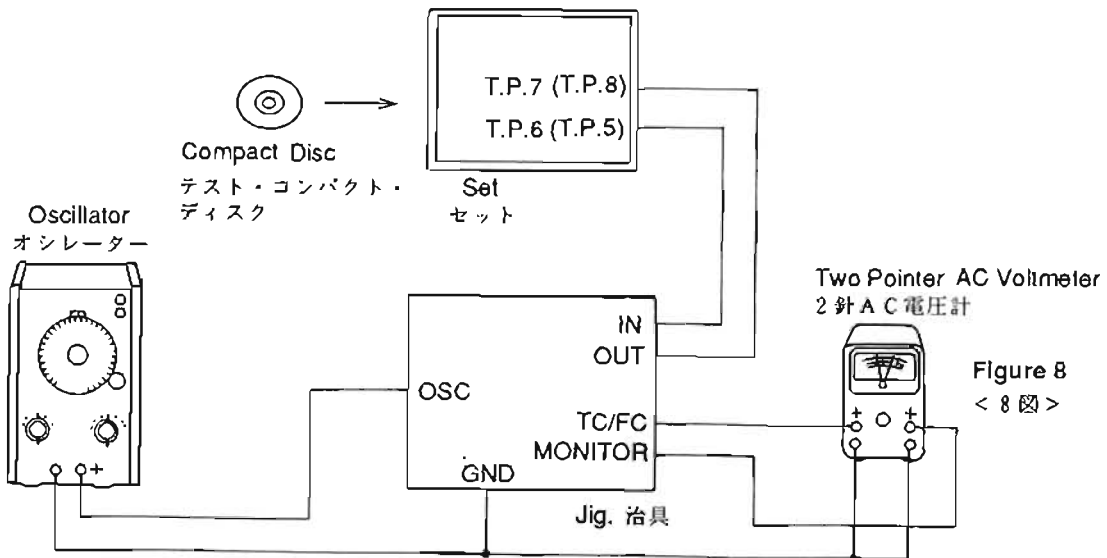
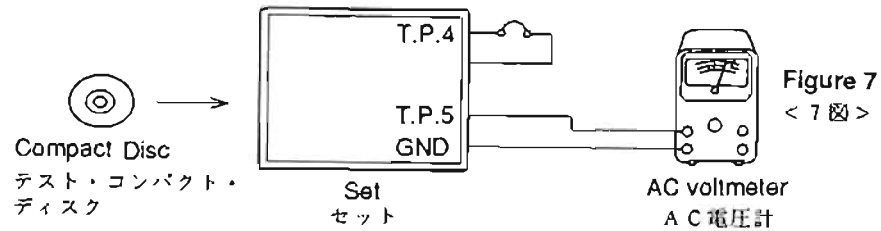
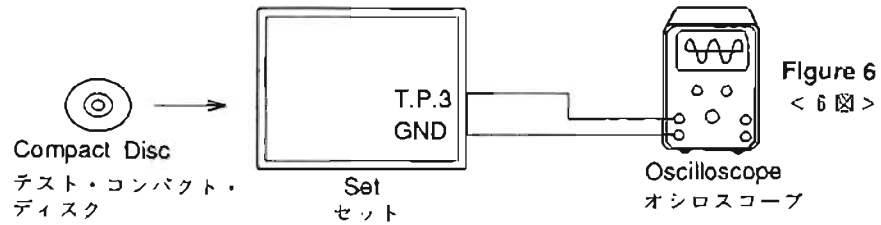
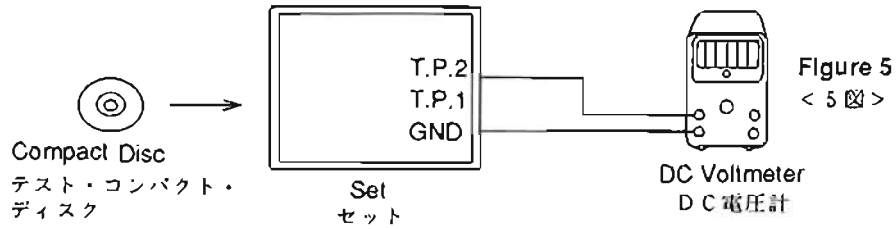
- (1) 上蓋を外した後、4本のネジ (Δ印) を外します。
(2 図参照)
- (2) 3 図のように A 部を押してメイン基板から2本の基板サポートを外します。(3 図参照)
- (3) メイン基板から出ている全てのワイヤーを外します。

Adjustment Procedures

1. Compact Disc Section

(1) Connections

(1) 接続図



(2) Control Settings

Power Switch	ON
Play Switch	ON
Others	OFF

(2) スイッチ類のセット位置

電源スイッチ	ON
プレイスイッチ	ON
その他のスイッチ	OFF

(3) Adjustment Procedures

Step	Description	Connections	Oscillator	Test Point	Adjustment
1	VCO Adjustment	Figure 5	-	T.P.1	After shortcircuiting T.P.9. Take measurement of the voltage at the T.P.1. Then adjust VR1303 so that the output voltage at the T.P.2 becomes 1/2 of the voltage at the T.P.1.
2	Focus Bias Adjustment	Figure 6	-	T.P.3	Adjust VR1202 so that the waveform of oscilloscope becomes maximum.
3	Tracking Error Balance Adjustment	Figure 7	-	T.P.4 T.P.5	After shortcircuiting T.P.4 and turning VR1301 fully counterclockwise, adjust VR1201 so that the voltage is $0V \pm 50$ mV. After the adjustment set VR1301 to its center position.
4	Tracking Gain Adjustment	Figure 8	1 kHz 100 mV	T.P.6 T.P.7	Adjust VR1302 so that both arms of the voltmeter come at the same position.
5	Focus Gain Adjustment	Figure 8	1 kHz 100 mV	T.P.5 T.P.8	Adjust VR1301 so that both arms of the voltmeter come at the same position.

Note: Test CD

Use the 2nd track on the SONY YEDS-18
or A-BEX TCD-782.

(3) 調整方法

順序	調整項目	接続図	オシレーター	テストポイント	調整方法
1	VCO調整	5 図	-	T.P.1	T.P.9 をショートしてT.P.1 の電圧を測定します。次にT.P.2 の出力電圧がT.P.1 の電圧の1/2 になる様にVR1303で調整します。
2	フォーカスバイアス調整	6 図	-	T.P.3	オシロスコープの波形が最大になる様にVR1202で調整します。
3	トラッキングエラーバランス調整	7 図	-	T.P.4 T.P.5	T.P.4 をショートしてVR1301を反時計方向にしぼりきり、T.P.5 の出力電圧が $0V \pm 50mV$ になる様にVR1201で調整します。 調整後、VR1301を中央付近にもどす事。
4	トラッキングゲイン調整	8 図	1kHz 100mV	T.P.6 T.P.7	2針A C電圧計の針が重なる様にVR1302で調整します。
5	フォーカスゲイン調整	8 図	1kHz 100mV	T.P.5 T.P.8	2針A C電圧計の針が重なる様にVR1301で調整します。

※テストCD

SONY YEDS-18 (2曲目) 又は、
A-BEX TCD-782 (2曲目)

Adjustment Locations

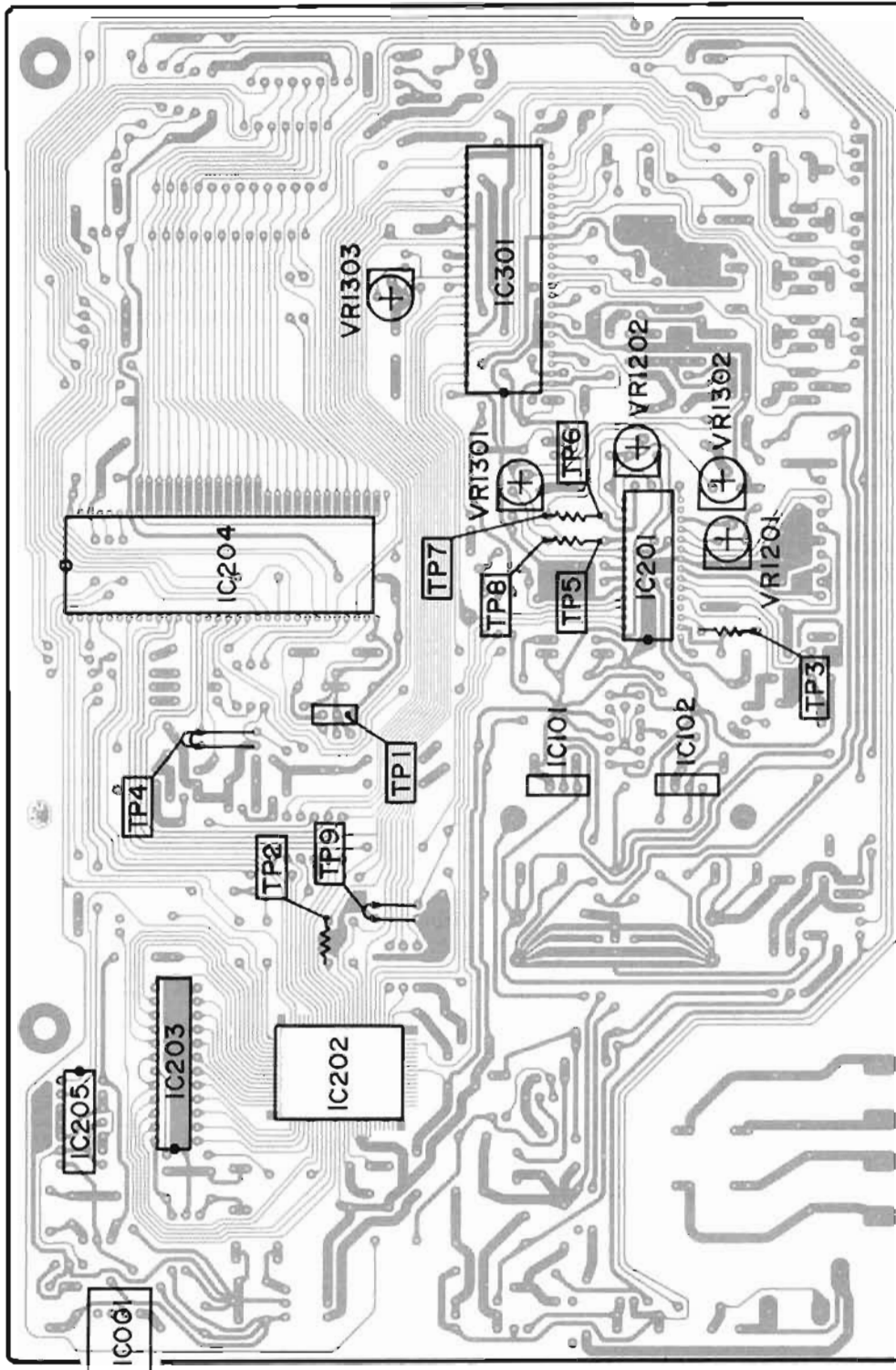
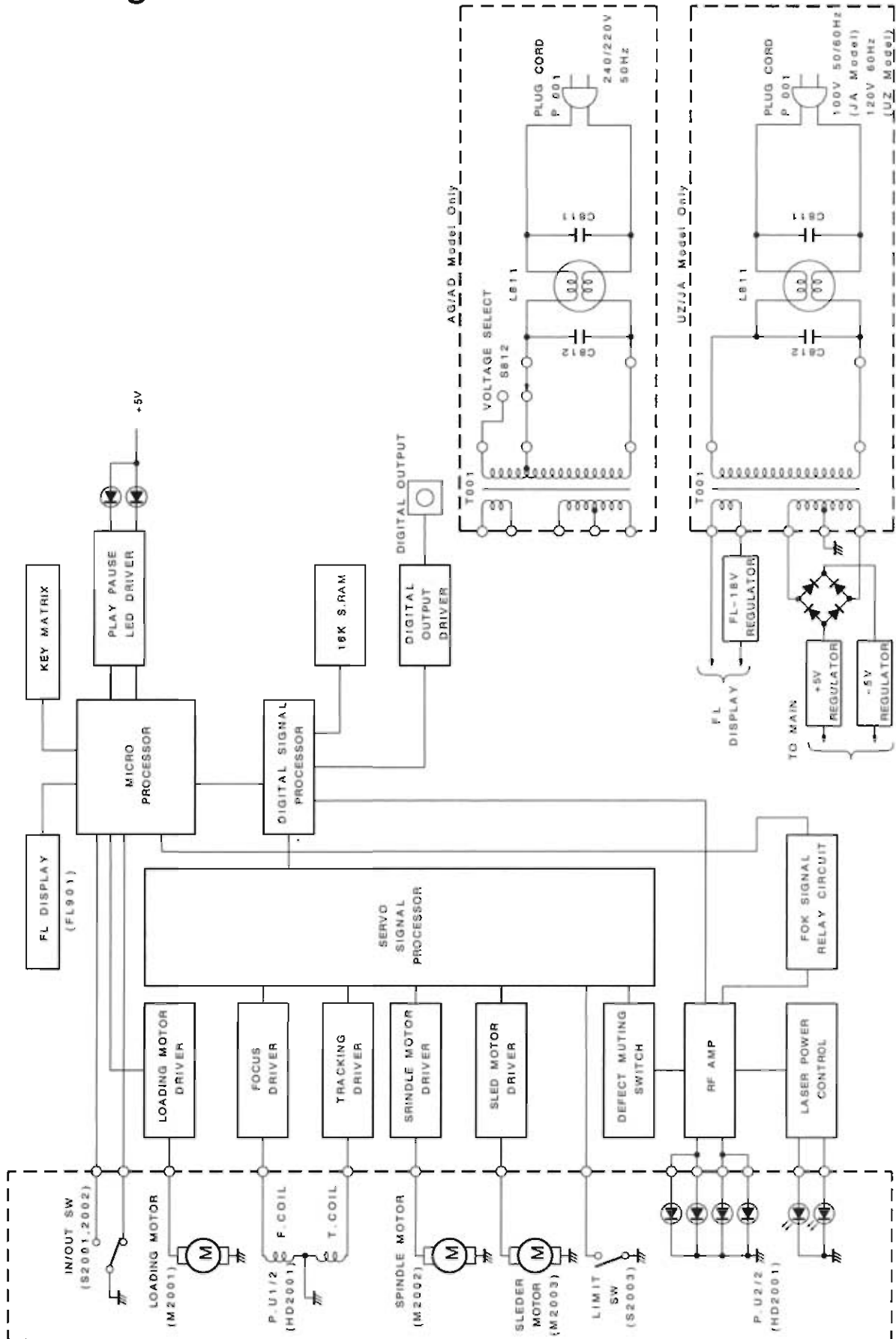


Figure 9 Main P.C. Board (Component side)

〈 9 図 〉 メイン基板 (部品面)

Block Diagram



-

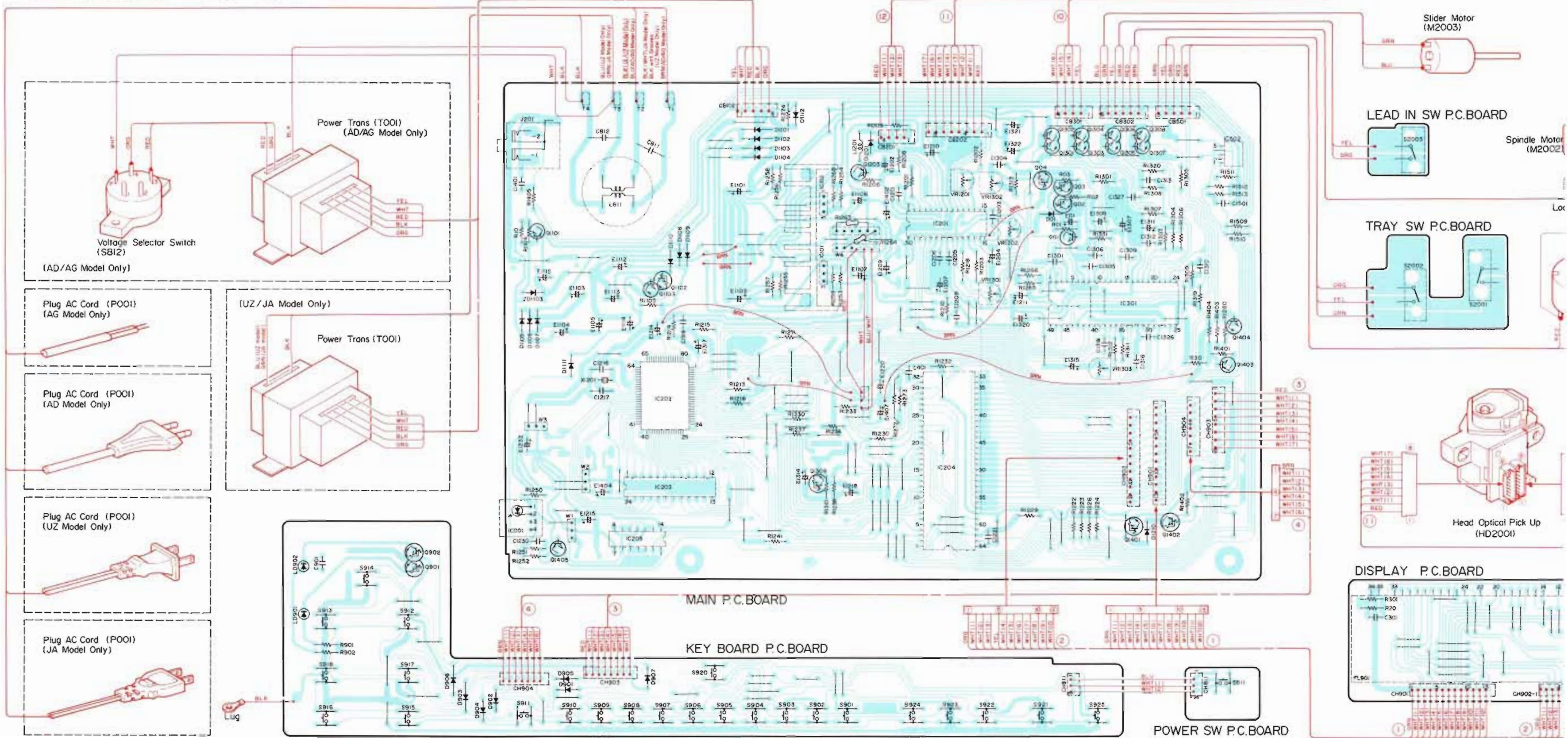
-

-

-

Parts Layout on P.C. Boards and Wiring Diagram

1
2
3
4
5



A | B | C | D | E | F | G | H | I | J | K

Electrical Parts List

Resistor: Carbon resistors under 1/8 watts are not mentioned in the parts list, please confirm them by schematic diagram.

Capacitor: μ F=microfarads. pF=picofarads

Abbreviations			
CAP.-Capacitor		CER.-Ceramic	
CP.-Chip		ELY.-Electrolytic	
LED.-Light Emitting Diode		MC.-Mica	
MO.-Metal Oxide Film		MYL.-Mylar	
PP.-Polypropylene		SOL.-Solid	
TAN.-Tantalum		ZEN.-Zener	
Symbol No.	Part No.	Description	
Main P.C. Board			
IC's			
IC201	51T84721F01	CXA1081S	
IC202	51T84720F01	CXD1125QZ	
or	51T84719F01	CXD1135QZ	
IC203	51T84723F01	LC3516AS-15	
or	51T80623F02	CXX5816SP-15L	
IC204	51T96263F01	96283F01	
IC205	51T94890F02	MC74HC00N	
IC301	51T84722F02	CXA1082BS	
IC502	51T90889F01	LA6501-LR	
Transistors			
Q01	48T43526F02	2SA950	
Q02	48T82763F04	DTC144EL	
Q03	48T82763F04	DTC144EL	
Q04	48T82763F11	DTC124TL	
Q1101	48T82757F01	2SA1561	
Q1102	48T82763F02	DTC114EL	
Q1103	48T82758F01	2SC4038	
Q1203	48T82759F01	2SB1277	
Q1301	48T82759F01	2SB1277	
Q1302	48T83275F01	2SD1919PQR	
Q1303	48T82759F01	2SB1277	
Q1304	48T83275F01	2SD1919PQR	
Q1305	48T82759F01	2SB1277	
Q1306	48T83275F01	2SD1919PQR	
Q1307	48T82759F01	2SB1277	
Q1308	48T83275F01	2SD1919PQR	
Q1309	48T82763F02	DTC114EL	
Q1401	48T82763F02	DTC114EL	
Q1402	48T82762F03	DTA124EL	
Q1403	48T51118F02	2SA1015	
Q1404	48T57305F04	2SD1302	
Q1405	48T73682F01	2SA854	

Symbol No.	Part No.	Description		
Diodes/Protector				
D01	48T84758F01	1SS270		
or	48T58583F01	1SS176		
D1101	48T55186F01	1N4003		
D1102	48T55186F01	1N4003		
D1103	48T55186F01	1N4003		
D1104	48T55186F01	1N4003		
D1105	48T84758F01	1SS270		
or	48T58583F01	1SS176		
D1106	48T84758F01	1SS270		
or	48T58583F01	1SS176		
D1107	48T84758F01	1SS270		
or	48T58583F01	1SS176		
D1108	48T84758F01	1SS270		
or	48T58583F01	1SS176		
D1109	48T84758F01	1SS270		
or	48T58583F01	1SS176		
D1110	48T84758F01	1SS270		
or	48T58583F01	1SS176		
D1111	48T84758F01	1SS270		
or	48T58583F01	1SS176		
D1112	48T84758F01	1SS270		
or	48T58583F01	1SS176		
D1201	48T84758F01	1SS270		
or	48T58583F01	1SS176		
D1210	48T84758F01	1SS270		
or	48T58583F01	1SS176		
ZD1103	48T52739F85	ZEN. HZ20-1		
Crystal				
X1201	48T84727F01	16.9344MHz		
Coils				
L811	24T15610W01	PLA6003R3A		
L1201	24T50508F22	IND. 10 μ H		
Capacitors				
E01	23T00180L21	ELY.	1 μ F/50V	
C401	08T00152L09	P.P.	1000pF	
E1101	23T00181L79	ELY.	3300 μ F/16V	
E1102	23T00181L79	ELY.	3300 μ F/16V	
E1103	23T00181L30	ELY.	470 μ F/25V	
E1104	23T00181L30	ELY.	470 μ F/25V	
E1105	23T00181L20	ELY.	470 μ F/16V	
E1106	23T00181L48	ELY.	100 μ F/50V	
E1107	23T00181L48	ELY.	100 μ F/50V	
E1112	23T00181L29	ELY.	330 μ F/25V	

Symbol No.	Part No.	Description			Symbol No.	Part No.	Description		
E1113	23T00180L21	ELY. 1 μ F/50V			C1401	21S40655F23	CER. 100pF		
E1114	23T00180L25	ELY. 10 μ F/50V			C1404	08T94422F01	CER. 0.47 μ F		
E1115	23T00180L24	ELY. 4.7 μ F/50V			E1402	23T00180L12	ELY. 22 μ F/25V		
C1201	08T57705F59	MYL. 2200pF			E1407	23T00180L12	ELY. 22 μ F/25V		
E1202	23T00180L14	ELY. 100 μ F/25V			C1501	08T57298F01	CER. 0.1 μ F		
C1203	08T57705F73	MYL. 0.033 μ F			Resistors				
E1204	23T00180L08	ELY. 33 μ F/16V			R1264	08T92264F19	MF. 580ohm-2V		
C1205	08T57705F67	MYL. 0.01 μ F			R1272	08T92264F29	MF. 150ohm-2V		
C1206	08T57705F67	MYL. 0.01 μ F			VR1201	18T15356V15	Volume. 22Kohm		
E1207	23T00180L20	ELY. 0.47 μ F/50V			VR1202	18T15356V15	Volume. 22Kohm		
C1208	08T57705F67	MYL. 0.01 μ F			VR1301	18T15356V15	Volume. 22Kohm		
E1209	23T00180L12	ELY. 22 μ F/25V			VR1302	18T15356V15	Volume. 22Kohm		
E1210	23T00180L08	ELY. 33 μ F/16V			VR1303	18T15356V09	Volume. 2.2Kohm		
E1211	23T00180L12	ELY. 22 μ F/25V			Keyboard P.C. Board				
E1214	23T00180L08	ELY. 33 μ F/16V			Transistors				
E1215	23T00180L12	ELY. 22 μ F/25V			Q901	48T82763F02	DTC114EL		
C1216	08T55260F13	CER. 10pF			Q902	48T82763F02	DTC114EL		
C1217	08T55260F13	CER. 10pF			Diodes				
E1218	23T00180L21	ELY. 1 μ F/50V			D901	48T84758F01	1SS270		
E1220	23T00180L12	ELY. 22 μ F/25V			or	48T58583F01	1SS176		
C1221	08T57298F01	CER. 0.1 μ F			D902	48T84758F01	1SS270		
C1230	08T93408F13	P.P. 330pF			or	48T58583F01	1SS176		
E1232	23T00180L12	ELY. 22 μ F/25V			D903	48T84758F01	1SS270		
C1301	08T57705F83	MYL. 4700pF			or	48T58583F01	1SS176		
C1304	08T57705F59	MYL. 2200pF			D904	48T84758F01	1SS270		
C1305	08T57705F79	MYL. 0.1 μ F			or	48T58583F01	1SS176		
C1306	08T57705F73	MYL. 0.033 μ F			D905	48T84758F01	1SS270		
E1307	23T00180L12	ELY. 22 μ F/25V			or	48T58583F01	1SS176		
E1308	23T00180L24	ELY. 4.7 μ F/50V			D906	48T84758F01	1SS270		
C1309	08T57705F79	MYL. 0.1 μ F			or	48T58583F01	1SS176		
C1310	08T57705F67	MYL. 0.01 μ F			D907	48T84758F01	1SS270		
E1311	23T00180L12	ELY. 22 μ F/25V			or	48T58583F01	1SS176		
C1312	08T57705F79	MYL. 0.1 μ F			LD901	48T60947F07	LED. SLH-34DU3F (ORG)		
C1313	08T57705F69	MYL. 0.015 μ F			LD902	48T60947F05	LED. SLH-34VR3F (RED)		
E1314	23T00180L24	ELY. 4.7 μ F/50V							
E1315	23T00180L12	ELY. 22 μ F/25V							
C1318	08T57705F83	MYL. 4700pF							
E1317	23T00180L20	ELY. 0.47 μ F/50V							
C1318	08T57705F55	MYL. 1000pF							
C1319	08T57705F73	MYL. 0.033 μ F							
E1320	23T00180L12	ELY. 22 μ F/25V							
E1321	23T00180L12	ELY. 22 μ F/25V							
E1322	23T00180L12	ELY. 22 μ F/25V							
C1326	08T57298F01	CER. 0.1 μ F							
C1327	08T57298F01	CER. 0.1 μ F							

Symbol No.	Part No.	Description			Symbol No.	Part No.	Description		
Switches									
S901	40T83324F13	Tact SKHHP (1)			IC102	51T94885F01	IC. MC7905CT		
S902	40T83324F13	Tact SKHHP (2)			J201	09T15461W01	Jack. 2P		
S903	40T83324F13	Tact SKHHP (3)			● P001	28T68771F03	Plug. AC Cord		
S904	40T83324F13	Tact SKHHP (4)			■ P001	28T44061F05	Plug. AC Cord		
S905	40T83324F13	Tact SKHHP (5)			▲ P001	28T70972F01	Plug. AC Cord		
S906	40T83324F13	Tact SKHHP (6)			◆ P001	28T43812P04	Plug. AC Cord		
S907	40T83324F13	Tact SKHHP (7)			S811	40T83324F15	SW. Tact SKHHPM		
S908	40T83324F13	Tact SKHHP (8)			◆ S812	40T80258F03	SW. Volt Select 2C		
S909	40T83324F13	Tact SKHHP (9)			■ S812	40T80258F03	SW. Volt Select 2C		
S910	40T83324F13	Tact SKHHP (10)			● T001	25T15439W01	Trans. Power D-007 JA		
S911	40T83324F13	Tact SKHHP (→10)			◆ T001	25T15942W01	Trans. Power D-007AD		
S912	40T83324F15	Tact SKHHP (STOP)			■ T001	25T15942W01	Trans. Power D-007AD		
S913	40T83324F15	Tact SKHHP (PAUSE)			▲ T001	25T15943W01	Trans. Power D-007UZ		
S914	40T83324F15	Tact SKHHP (PLAY)							
S915	40T83324F15	Tact SKHHP (B · FVD)							
S916	40T83324F15	Tact SKHHP (F · FVD)							
S917	40T83324F15	Tact SKHHP (B · SKIP)							
S918	40T83324F15	Tact SKHHP (F · SKIP)							
S920	40T83324F15	Tact SKHHP (OPEN/CLOSE)							
S921	40T83324F15	Tact SKHHP (T-DISP)							
S922	40T83324F15	Tact SKHHP (PROG)							
S923	40T83324F15	Tact SKHHP (CHECK)							
S924	40T83324F15	Tact SKHHP (CLEAR)							
S925	40T83324F15	Tact SKHHP (REPEAT)							
Capacitor									
C901	08T00152L18	P.P. 180pF							
FL P.C. Board									
Capacitor									
C301	08T57705F79	MYL. 0.1 μF							
Miscellaneous									
C811	08T57437F09	CAP. CER. 0.01 μF							
C812	08T57437F09	CAP. CER. 0.01 μF							
FL901	85T83067F01	Display. FL							
IC001	51T15608W01	IC. HFBR1550							
IC101	51T94884F01	IC. MC7805CT							

Note: ● : For Japanese model only (JA) ▲ : For American model only (UZ)
◆ : For West Germany model only (AD) ■ : For England model only (AG) Others : Common

Cabinet Assembly Parts List

Note: The parts without part numbers are not supplied.

Symbol No.	IN-dex	Part No.	Description		
	1	1-F	15C11319W01	Cover. Top	
●	3	4-A	07C11333W01	Panel. Front Assy	
◆	3	4-A	07C11333W02	Panel. Front Assy	
■	3	4-A	07C11333W02	Panel. Front Assy	
▲	3	4-A	07C11333W02	Panel. Front Assy	
	4	5-A	03S71031F10	Screw. Blind (M3x6)	
	5		03S71031F02	Screw. Blind (M2.6x8)	
	6	1-B	64B11331W01	Panel. Tray	
	7		03S40018G08	Screw. TPG (M3x8)	
	8	3-D	03S44205G69	Screw. Blind (M4x6)	
	9		03S82672F20	Screw. Blind (M3x8)	
	10	1-C	03A83946F01	Screw. Special (M3x35)	
	11	1-C	04S40071G14	Washer. Spring (M4.1)	
	12	1-C	04S40070G59	Washer. Flat (M4.1)	
	13	1-G	03S71031F04	Screw. Blind (M3x8)	
	15	3-C	75S12196V23	Cushion. Rubber	
●	16	3-C	14S96390F37	Insulator. Cover	
	17	5-D	01T16121V01	Assy. Lug Wire	
	18	2-B	07A83876F01	Support. FL	
	19		75S12196V21	Cushion. Rubber	
	20		43T63138F04	Bush. Cap	
	21	2-D	03C40121T05	Screw. TPG (M3x8)	
●	23	4-G	15C11330V01	Cover. Rear	
◆	23	4-G	15C11330V04	Cover. Rear	
■	23	4-G	15C11330V04	Cover. Rear	
▲	23	4-G	15C11330V05	Cover. Rear	
	24	3-G	43B41625J02	Support. Cord	
	26	1-D	03S40036U05	Screw. Blind (M3x8)	
	27	1-D	03S13049V04	Screw. Blind (M3x33)	
	28	5-D	03S44205G82	Screw. Blind (M4x10)	
	32		15T84846F03	LSR-10R	
	33	4-B	36C11327V01	Knob. Logic	
	34		75T11325V01	Trans-Leg Assy	
■	36	3-D	03S44205G40	Screw. Blind (M3x4)	
▲	38	3-D	03S44205G40	Screw. Blind (M3x4)	
◆	36	3-D	03S44205G40	Screw. Blind (M3x4)	
◆	37	4-D	29C41045P05	Lug. Wrap 54mm	
■	37	4-D	29C41045P05	Lug. Wrap 54mm	
▲	37	4-D	29C41045P05	Lug. Wrap 54mm	
◆	38	3-E	03S71031F04	Screw. Blind (M3x8)	
■	38	3-E	03S71031F04	Screw. Blind (M3x8)	
■	39	3-E	43A43610F01	Bush. SV	

Note: ● : For Japanese model only (JA) ▲ : For American model only (UZ)

◆ : For West Germany model only (AD) ■ : For England model only (AG) Others ; Common

Exploded View (Deck)

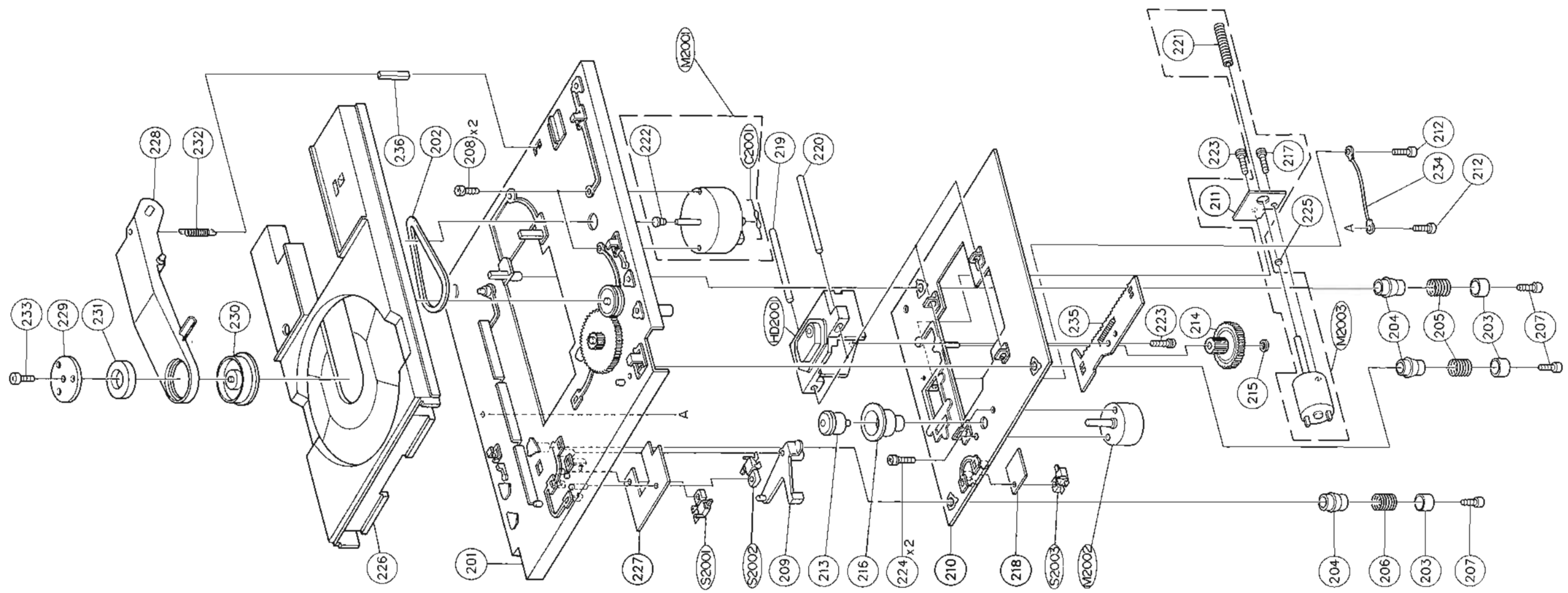
1

2

3

4

5



Mechanism Assembly Parts List

Note: The parts without part numbers are not supplied.

Symbol No.	Index	Part No.	Description		
201	2-B	01C82391F01	Assembly, Chas. Main		
202	2-C	42A81427F02	Belt, Drive		
203	5-B	43A81407F01	Bush, Damper		
204	5-C	75A81411F01	Rubber, Damper		
205	5-C	41A81428F03	Spring, Compression		
206	5-B	41A81428F05	Spring, Compression		
207		03S40012G18	Screw, Tpg. (M2.6x6)		
208	2-C	03D40014G19	Screw, V/Washer (M2.6x5)		
209	3-B	45A81434F01	Arm, Switch		
212	5-C	03S44205G30	Screw, Pan (M2.6x4)		
213	3-B	49B81417F01	Disc, Guide		
214	4-C	44A81401F01	Gear, Worm Wheel		
215	5-C	04A41345P02	Washer, Lock (M1.7)		
216	3-B	49B81414F01	Disc, Table		
217	5-C	03D40014G62	Screw, V/Washer (M2x3)		
219	3-C	47A81426F01	Shaft, Head		
220	3-C	47A81426F02	Shaft, Head		
221	4-D	44A96257F01	Worm, Drive		
222	3-C	49A81397F01	Pulley, Loading Motor		
223	4-C	03C40121T31	Screw, V/Washer (M2x5)		
224	3-B	03D40014G07	Screw, V/Washer (M2x4)		
225	5-C	43A41182P02	Ball Steel		
228	2-B	01C10716V02	Assembly, Tray Disc		
228	1-C	45C81418F04	Arm, Clamp		
229	1-C	07A81413F02	Bkt., Magnet		
230	1-C	49A81403F01	Wheel, Clamp		
231	1-C	59T81430F01	Magnet		
232	1-C	41B81429F02	Spring, Extension		
233	1-C	03S70494F08	Screw, Blind (M2x5)		
234	5-C	01T92483F01	Assembly, Lug Wire IP		
235	4-C	01A82323F01	Assembly, Rack		
236	2-C	75S12198V06	Cushion, Rubber		
Miscellaneous					
C2001	3-C	08S40154T63	Capacitor, Cer. 0.022 μ F		
HD2001	3-C	88T81528F01	Head, Optical Pick Up		
M2001	3-C	01Y11200V42	Motor, Loading		
M2002	4-B	59T81431F01	Motor, Spindle		
M2003	5-C	01Y94700F74	Assembly, Slider Motor		
S2001	3-B	40T71025F01	Switch, Detector (IN/OUT)		
S2002	3-B	40T71025F01	Switch, Detector (IN/OUT)		
S2003	4-B	40T71025F01	Switch, Detector (Limit)		

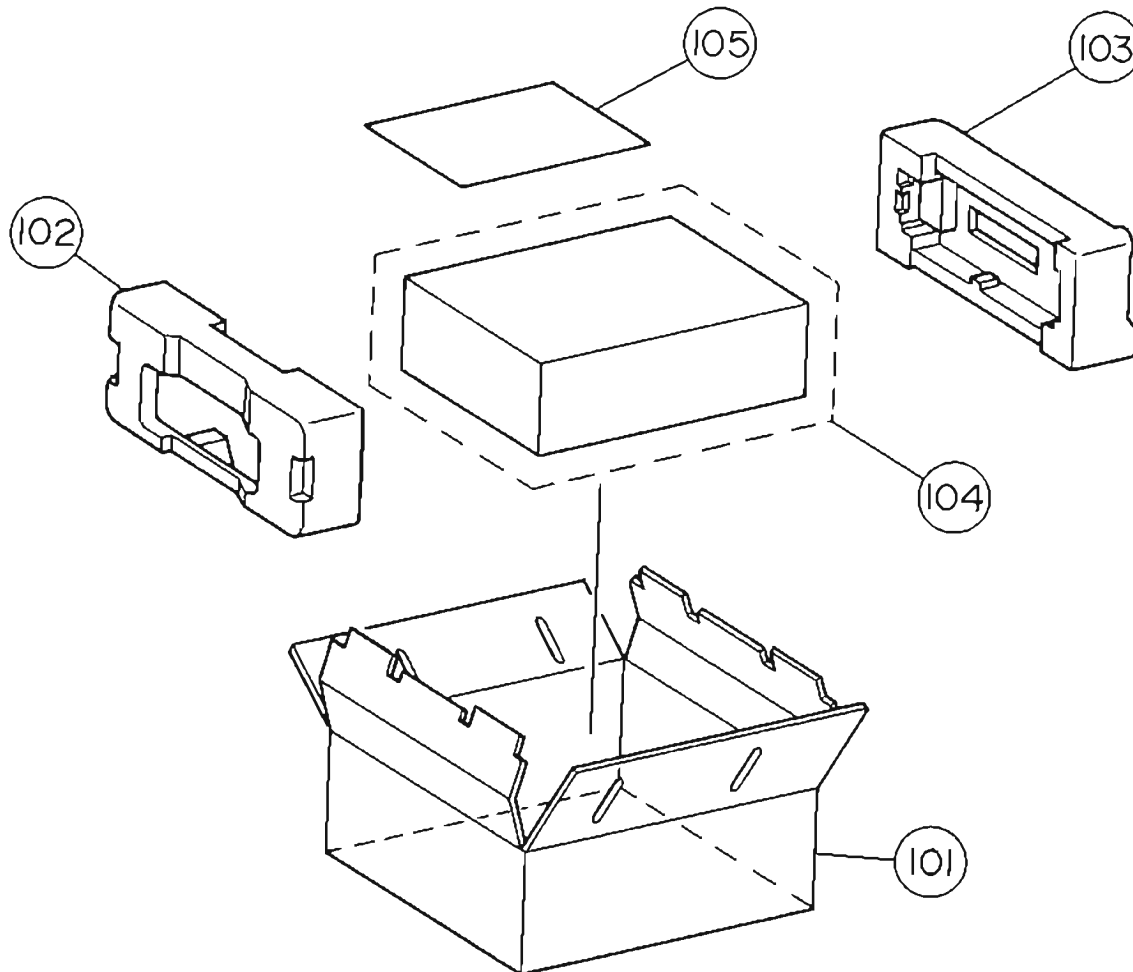
Packing Assembly Parts List

Note: The parts without part numbers are not supplied.

Symbol No.	Part No.	Description		
	101	56S10005W42	Carton, Packing	
	102	56D11322V01	Tray, Packing (L)	
	103	56D11322V02	Tray, Packing (R)	
	104	56B13156W02	Packing, Sheet	
	105-1	28T15332W02	Cord, Cont	
◆	105-2	68P96552F46	Owners. (Manual)	
■	105-2	68P96552F46	Owners. (Manual)	
●	105-2	68P96552F11	Owners. (Manual)	
▲	105-2	68P96552F48	Owners. (Manual)	
	105-3	01T84773F02	Fiber, TOCP 172	

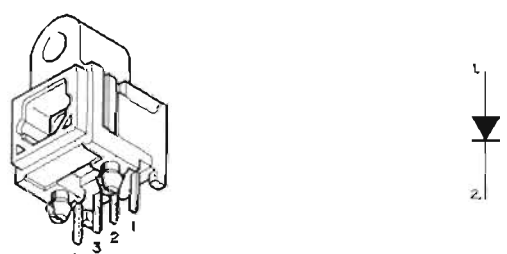
Note: ● : For Japanese model only (JA) ▲ : For American model only (UZ)
 ◆ : For West Germany model only (AD) ■ : For England model only (AG) Others : Common

Packing Method View

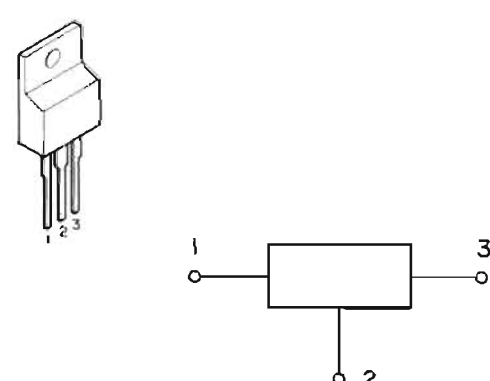


Semi-Conductor Lead Identifications

HFBR-1550: IC001

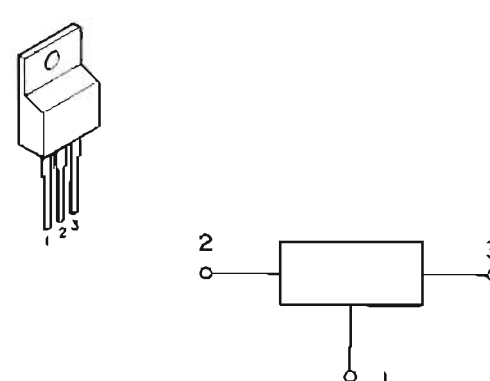


MC7805: IC101



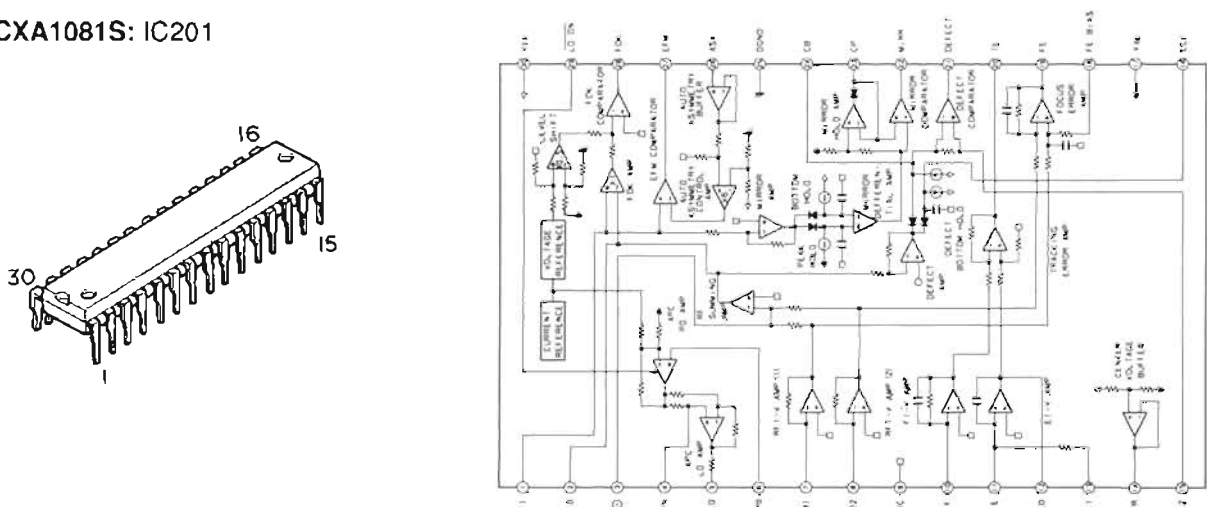
1. Input
2. GND
3. Output

MC7905: IC102

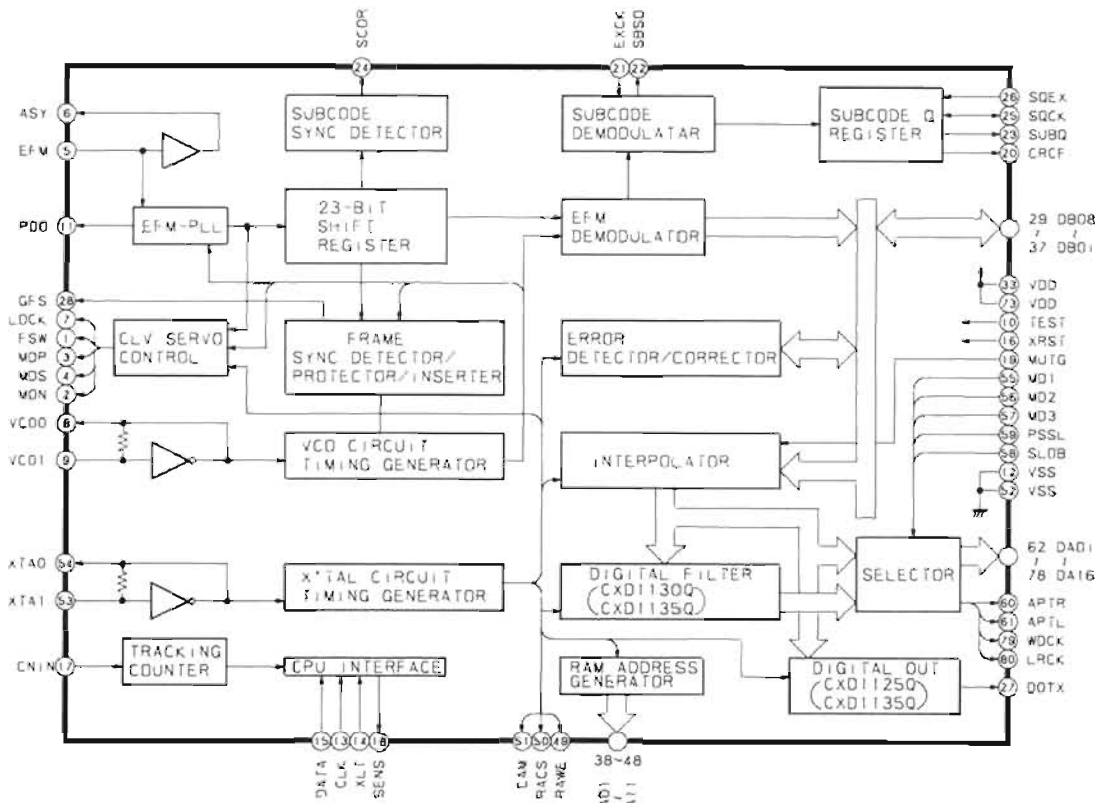
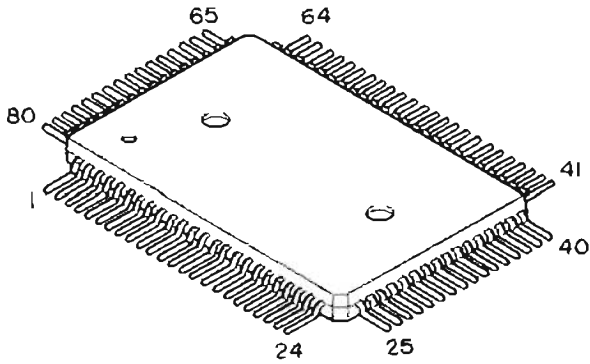


1. GND
2. Input
3. Output

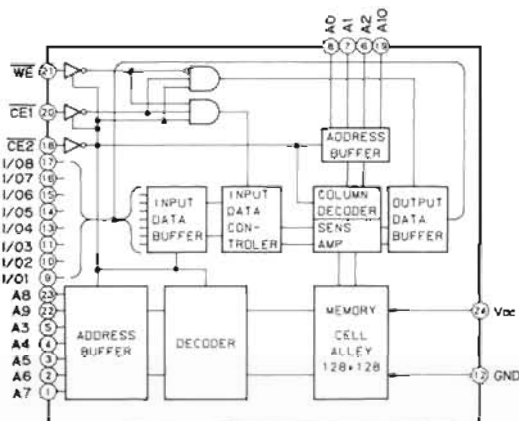
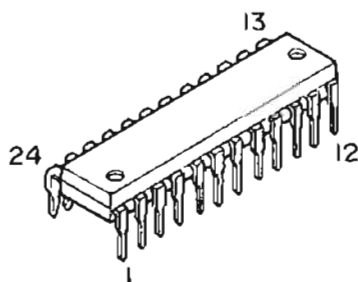
CXA1081S: IC201



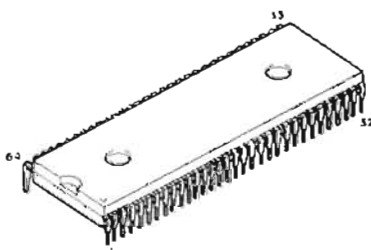
CXD1125QZ: IC202



LC3516AS-15: IC203

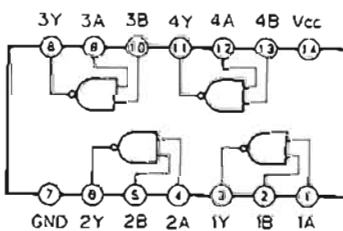
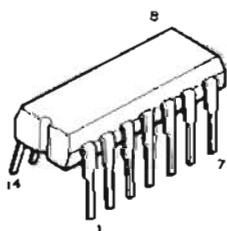


9628F01: IC204

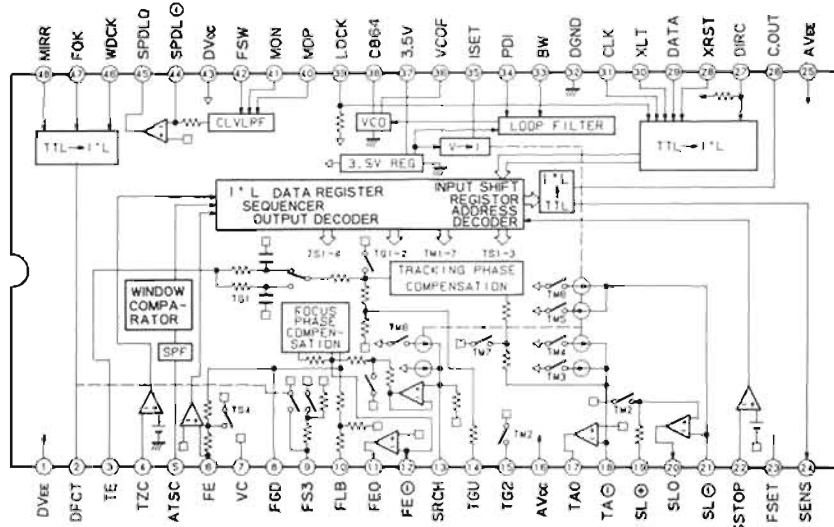
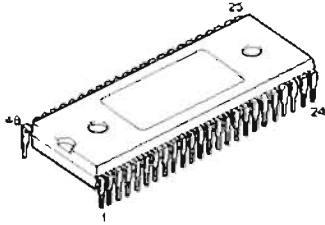


1	CLOSE	23	KRTN3	45	SEG12
2	NC	24	NC	46	SEG13
3	RMC	25	M-BUS	47	SEG14
4	SQCK	26	PAUS	48	SEG15
5	NC	27	PLAY	49	DIG7
6	NC	28	POWSW	50	DIG6
7	SUBQ	29	SRTN	51	DIG5
8	EMPH	30	OPNSW	52	DIG4
9	AMUTE	31	CLSSW	53	DIG3
10	MUTG	32	GND	54	DIG2
11	LDON	33	SEG0	55	DIG1
12	CLK	34	SEG1	56	DIG0
13	XTL	35	SEG2	57	-30V
14	DATA	36	SEG3	58	+5V
15	NC	37	SEG4	59	SCOR
16	ADJSW	38	SEG5	60	NC
17	GFS	39	SEG6	61	C4M
18	SENS	40	SEG7	62	RST
19	FOK	41	SEG8	63	OPEN
20	KRTN0	42	SEG9	64	+5V
21	KRTN1	43	SEG10		
22	KRTN2	44	SEG11		

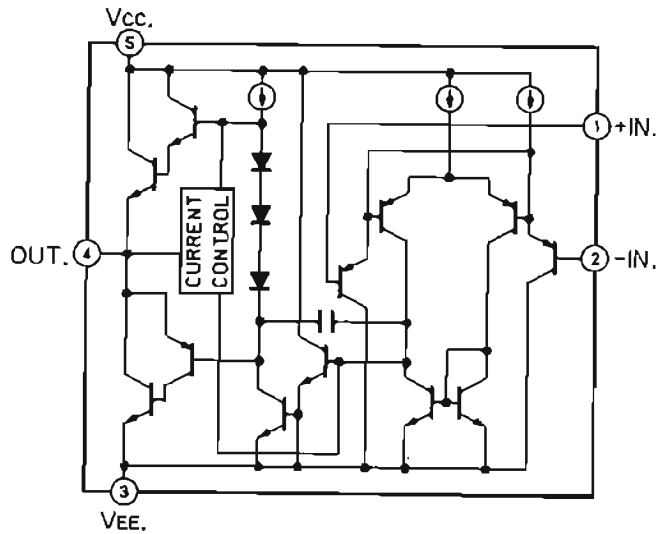
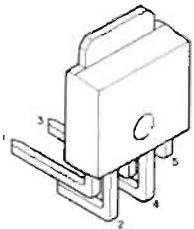
TC74HC00P: IC205



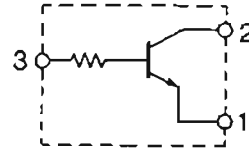
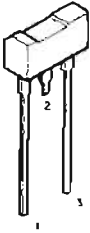
CXA1082BS: IC301



LA6501: IC502

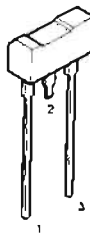


DTC124TL: Q04



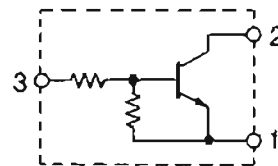
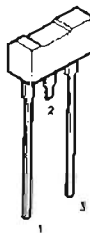
- 1. Emitter
- 2. Corrector
- 3. Base

2SA1561: Q1101
 2SC4038: Q1103
 2SB1277: Q1203, 1301, 1303, 1305, 1307
 2SD1919: Q1302, 1304, 1306, 1308



- 1. Emitter
- 2. Corrector
- 3. Base

DTC114EL: Q901, 902, 1102, 1309, 1401
 DTC144EL: Q1402



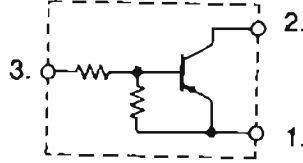
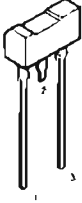
- 1. Emitter
- 2. Corrector
- 3. Base

2SD1302: Q1404
 2SA854: Q1405



- 1. Emitter
- 2. Corrector
- 3. Base

DTA124EL: Q1402



- 1. Emitter
- 2. Corrector
- 3. Base

2SA1015Y: Q1403



- 1. Emitter
- 2. Corrector
- 3. Base



LUX CORPORATION, JAPAN

1-1-8 Nishi Gotanda, Shinagawa-ku, Tokyo, 141 JAPAN
Phone:03-493-4381 Facsimile:03-494-8426

8/89-Y
68P20644W01
Printed in Japan