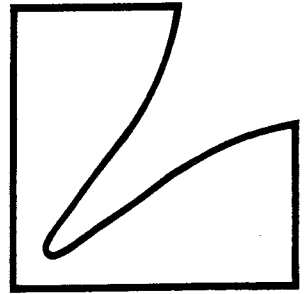
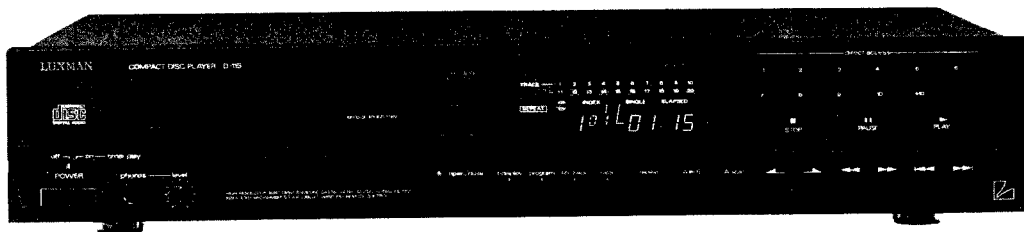


# SERVICE MANUAL

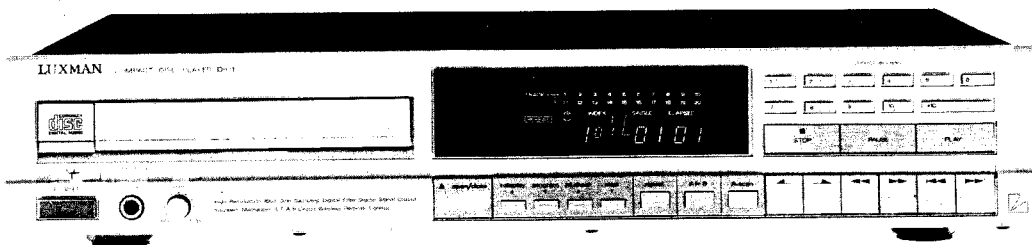


Compact Disc Player

# D-115/D-01



D-115



D-01

# Contents

Specifications .....	2
Parts Locations and Disassembly Instructions .....	3 to 4
Adjustment Procedures .....	5 to 6
Adjustment Locations .....	7
Block Diagram .....	8
Parts Layout on P. C. Boards and Wiring Diagram (D-115/D-01) AD Model Only .....	9 to 11
Parts Layout on P. C. Boards and Wiring Diagram (D-115) JA/ (D-01) UQ Model Only .....	12 to 14
Schematic Diagram (1/2) .....	15 to 17
Schematic Diagram (2/2) .....	18 to 20
Electrical Parts List .....	21 to 25
CD Mechanism Assembly Parts List .....	26
Exploded View (CD Mechanism) .....	27 to 28
Exploded View (Cabinet) .....	29 to 30
Cabinet Assembly Parts List .....	31 to 32
Packing Assembly Parts List .....	33
Packing Method View .....	33
Semi-Conductor Lead Identifications .....	34 to 41

## Specifications

### CD SECTION

System .....	Optical (Compact Disc System)
Quantizing Bit Number .....	16 Bit Linear System
Channels .....	2 Channels, Stereo
Pickup .....	Semiconductor Laser Pickup
Output Voltage .....	$2V \pm 1dB$
Frequency Response .....	$4 \sim 20kHz \pm 1dB$
T.H.D (1kHz) .....	0.009%
S/N .....	90dB
Dynamic Range .....	87dB
Separation (1kHz) .....	86dB
Headphone Output Voltage (1kHz, 10dB/8 ohm) .....	300mV
Power Supply .....	AC100V, 50/60Hz (JA Model only) AC120/220/240V, 50Hz (AD Model only) AC120V, 60Hz (UQ Model only)
Power Consumption .....	12W
Semiconductors .....	22 IC's, 25 Transistors, 2 FETs, 10 Diodes, 8 Zener Diodes
Dimension (W × H × D) .....	438 × 85 × 314mm
Weight .....	4.9kg

### COMPACT DISC

Track Pitch .....	1.6 $\mu$ m
Modulation Frequency .....	44.1kHz
Transfer Rate .....	4.3218M Bit/sec.
Dimension .....	120 × 1.2mm

# Parts Locations and Disassembly Instructions

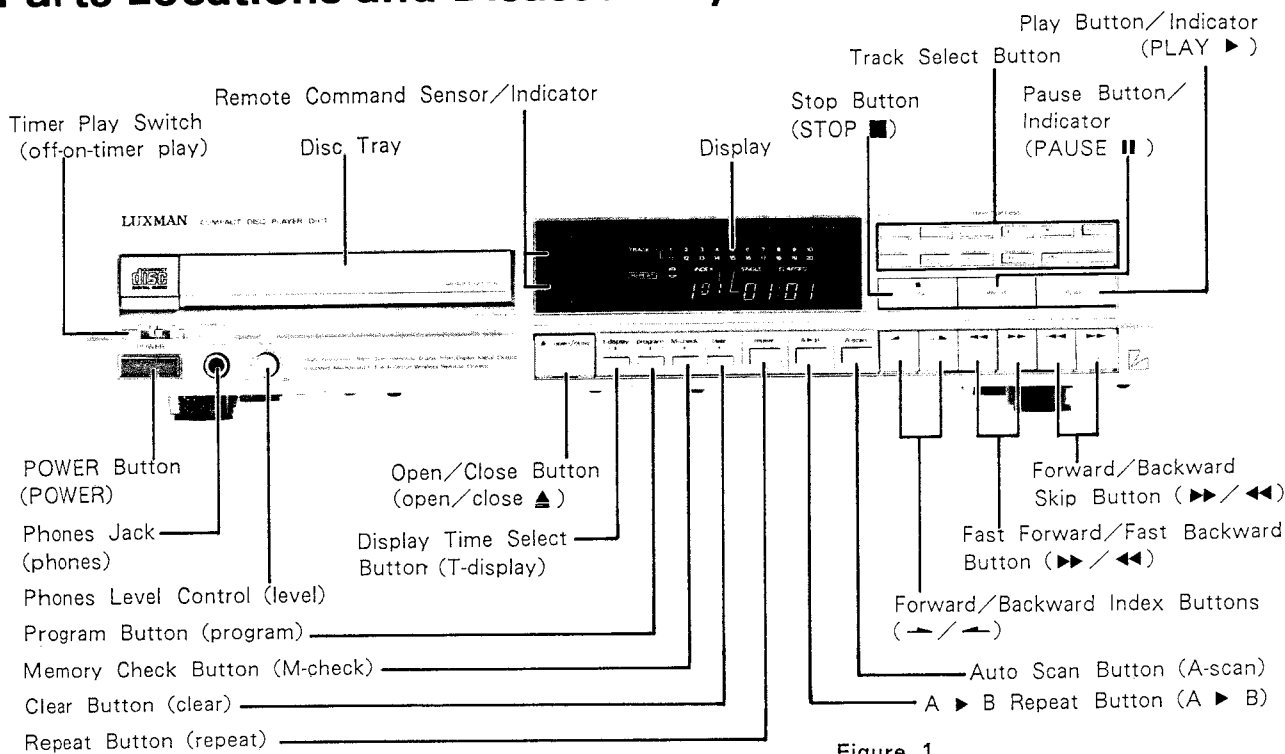


Figure 1

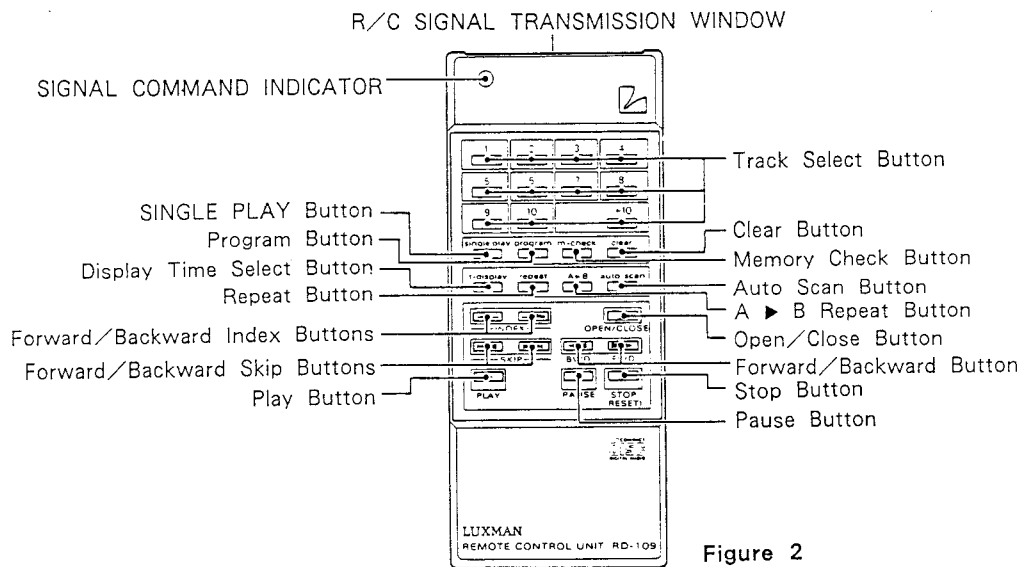


Figure 2

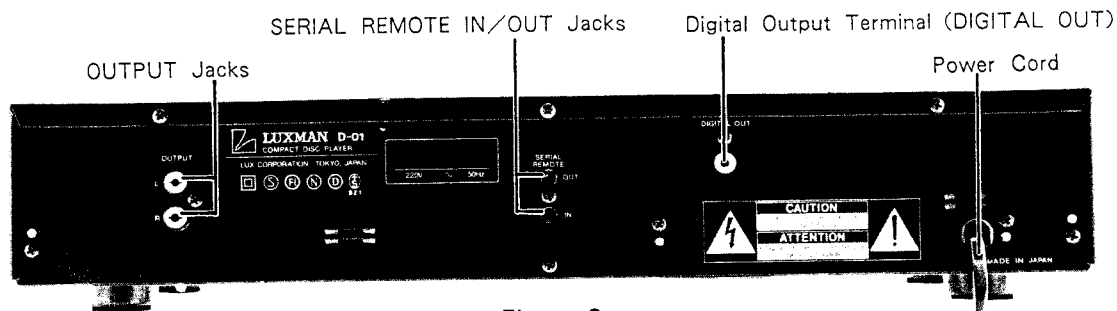


Figure 3

### 1. Removal of CD Mechanism

- (1) Open the disc tray.
- (2) Remove the panel tray in the arrow direction as shown in Figure 5.
- (3) Remove four screws marked "○" as shown in the Figure 4.

### 1. CDメカニズムの外し方

- (1) ディスク・トレイを開けます。
- (2) パネル・トレイを矢印の方向に外します。(5図参照)
- (3) 4本のネジ(○印)を外します。(4図参照)

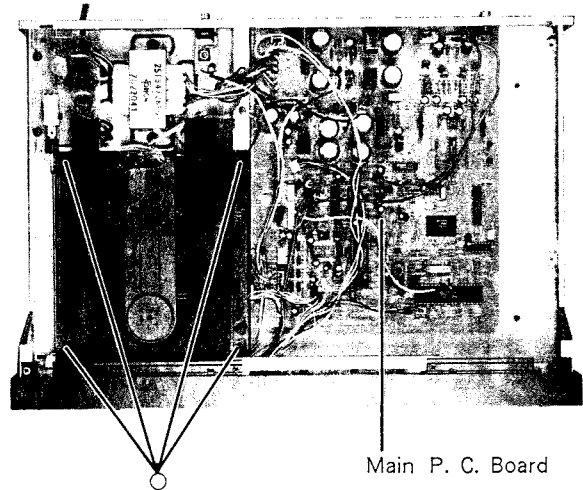


Figure 4

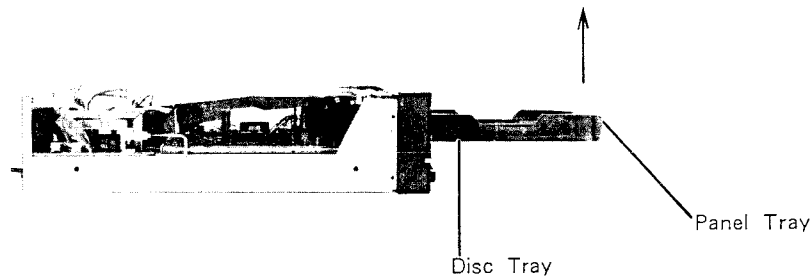


Figure 5

### 2. Removal of FL/Keyboard P. C. Board

- (1) After removal of front panel, remove thirteen hooks and one screw marked "□" as shown in Figure 6.
- (2) Disconnect connector from the Main P. C. Board.

### 2. FL/KEY ボード基板

- (1) フロント基板を外してから、13箇所のフックを外します。(6図参照)
- (2) メイン基板から全てのコネクタを外します。

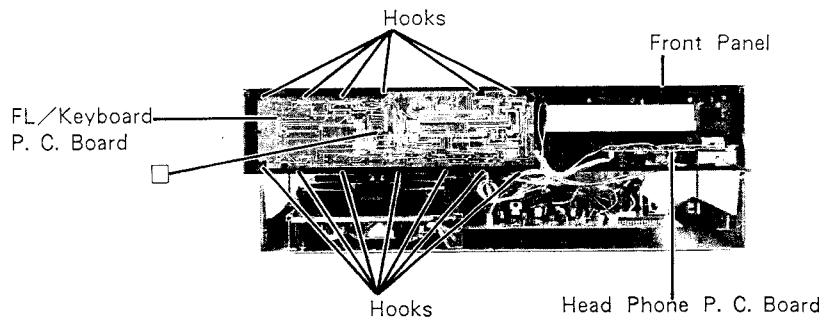


Figure 6

# Adjustment Procedures

## 1. CD SECTION

### (1) Connections

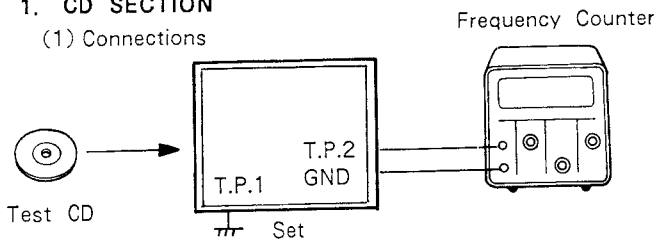


Figure 7

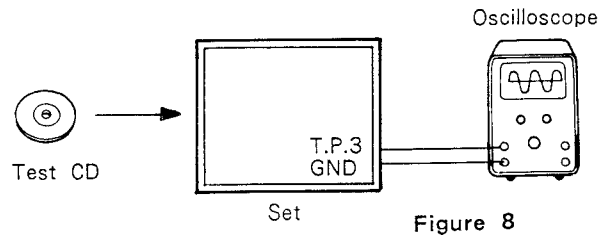


Figure 8

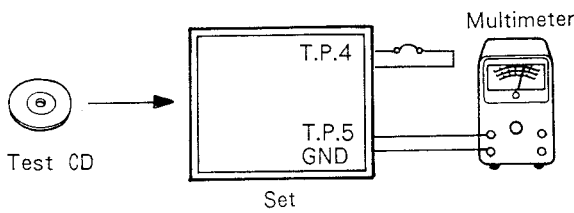


Figure 9

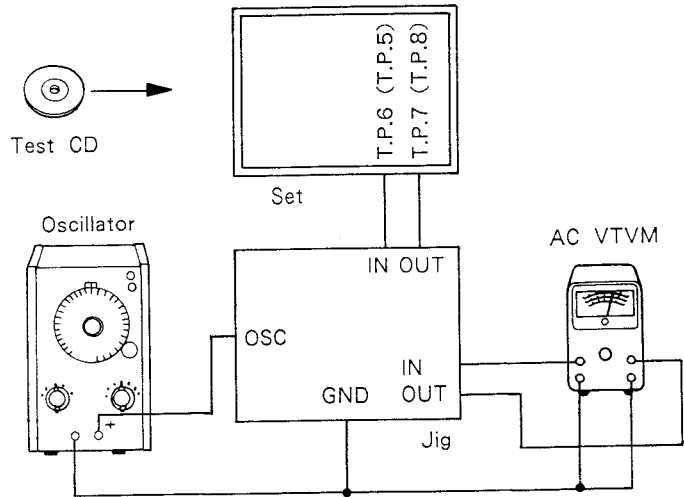


Figure 10

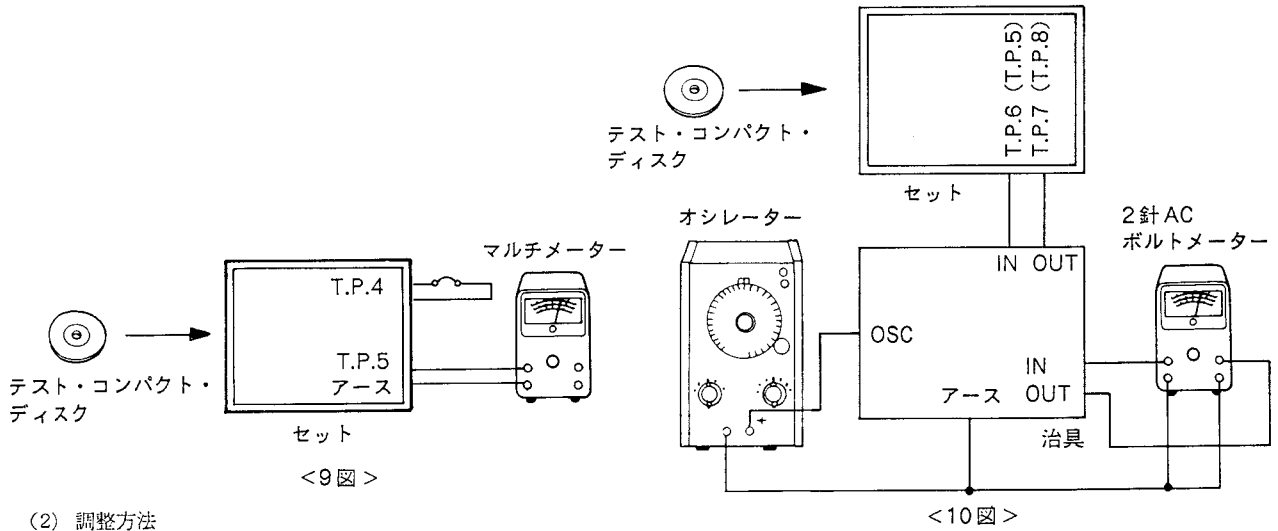
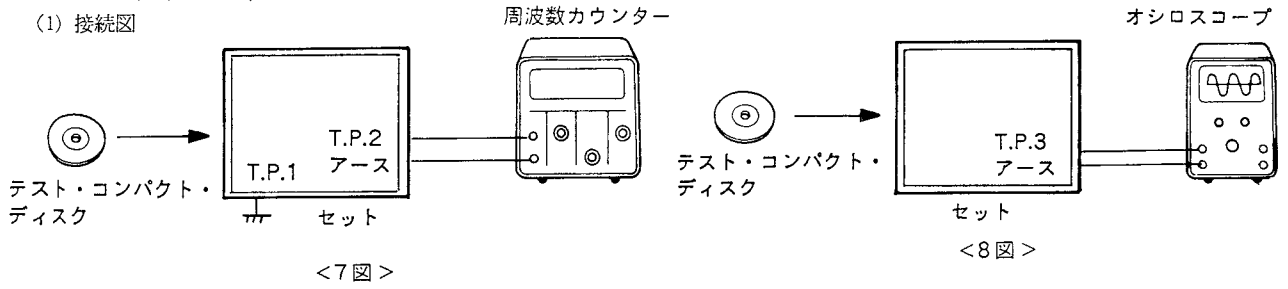
### (2) Adjustment Procedures

Step	Description	Connection	Oscillator	Test Point	Adjustment
1	VCO Adjustment	Figure 7	—	T.P.1 T.P.2	Connect T.P.1 to ground and adjust VR1303 so that the frequency is $8.643\text{MHz} \pm 10\text{kHz}$ .
2	Focus Bias Adjustment	Figure 8	—	T.P.3	Adjust VR1202 for the oscilloscope waveform to show maximum.
3	Tracking Error Balance Adjustment	Figure 9	—	T.P.4 T.P.5	Shortcircuit T.P.4, turn VR1301 fully counter-clockwise and adjust VR1201 so that the voltage is $0 \pm 50\text{mV}$ . After adjustment set VR1301 at approximately its center position.
4	Tracking Gain Adjustment	Figure 10	1kHz 200mV	T.P.6 T.P.7	Adjust VR1302 so that two arms of the valve voltmeter just meet each other.
5	Focus Gain Adjustment	Figure 10	1kHz 200mV	T.P.5 T.P.8	Adjust VR1301 so that two arms of the valve voltmeter just meet each other.

**調整方法**

1. コンパクト・ディスク

(1) 接続図

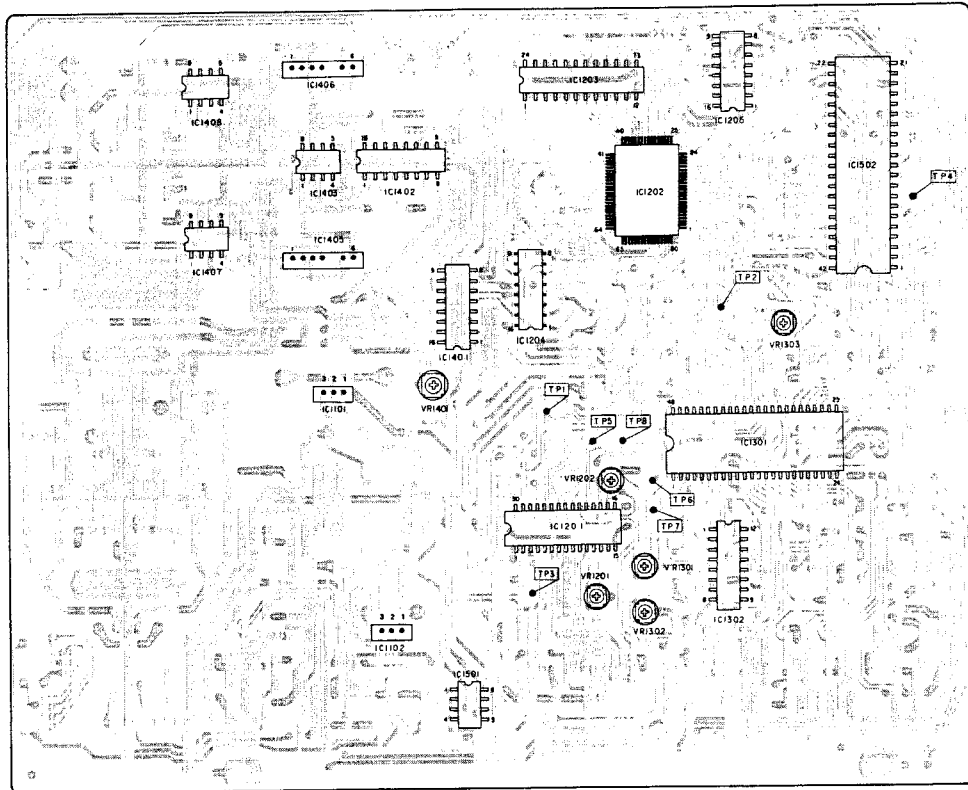


(2) 調整方法

順序	調整項目	接続図	オシレーター	テスト・ポイント	調整方法
1	VCO調整	7図	-	T.P.1 T.P.2	T.P.1をアースに落とし、周波数が8.643MHz±10kHzになる様にVR1303で調整します。
2	フォーカス バイアス調整	8図	-	T.P.3	オシロスコープの波形が最大になる様にVR1202で調整します。
3	トラッキングエラー バランス調整	9図	-	T.P.4 T.P.5	T.P.4をショートしてVR1301を左にしぼり、電圧が0V±50mVになる様にVR1201で調整します。調整後VR1301を中央付近にもどす事。
4	トラッキング ゲイン調整	10図	1kHz 200mV	T.P.6 T.P.7	2針バルボルの針が重なる様にVR1302で調整します。
5	フォーカス ゲイン調整	10図	1kHz 200mV	T.P.5 T.P.8	2針バルボルの針が重なる様にVR1301で調整します。

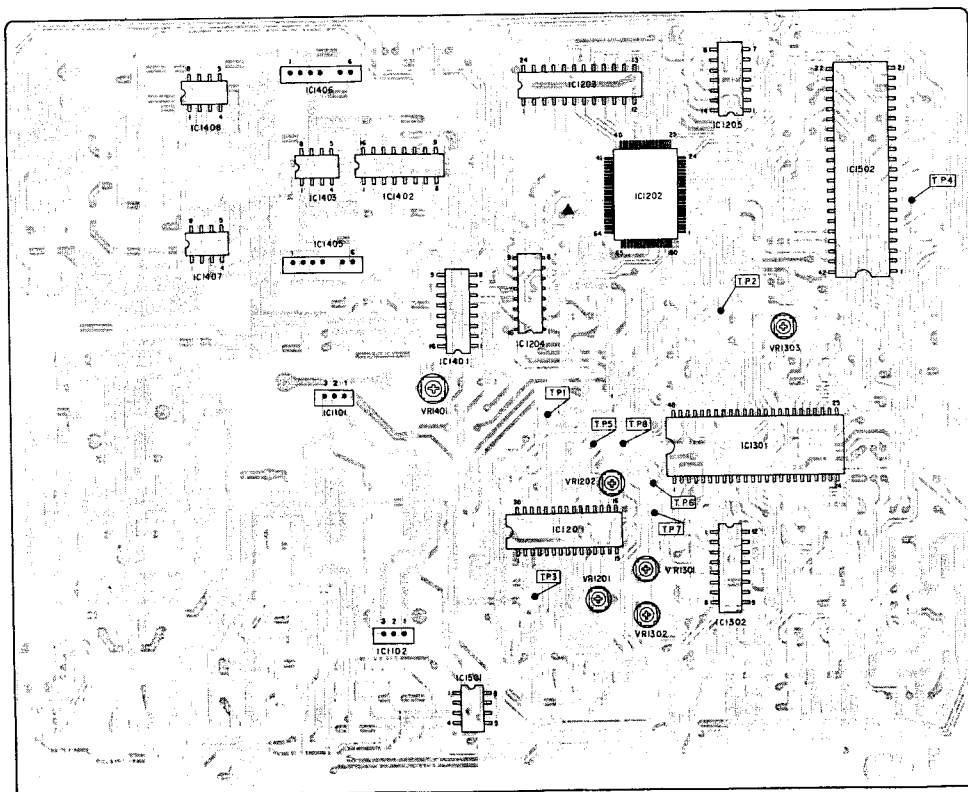
# Adjustment Locations

(D-115) / (D-01) AD Model Only



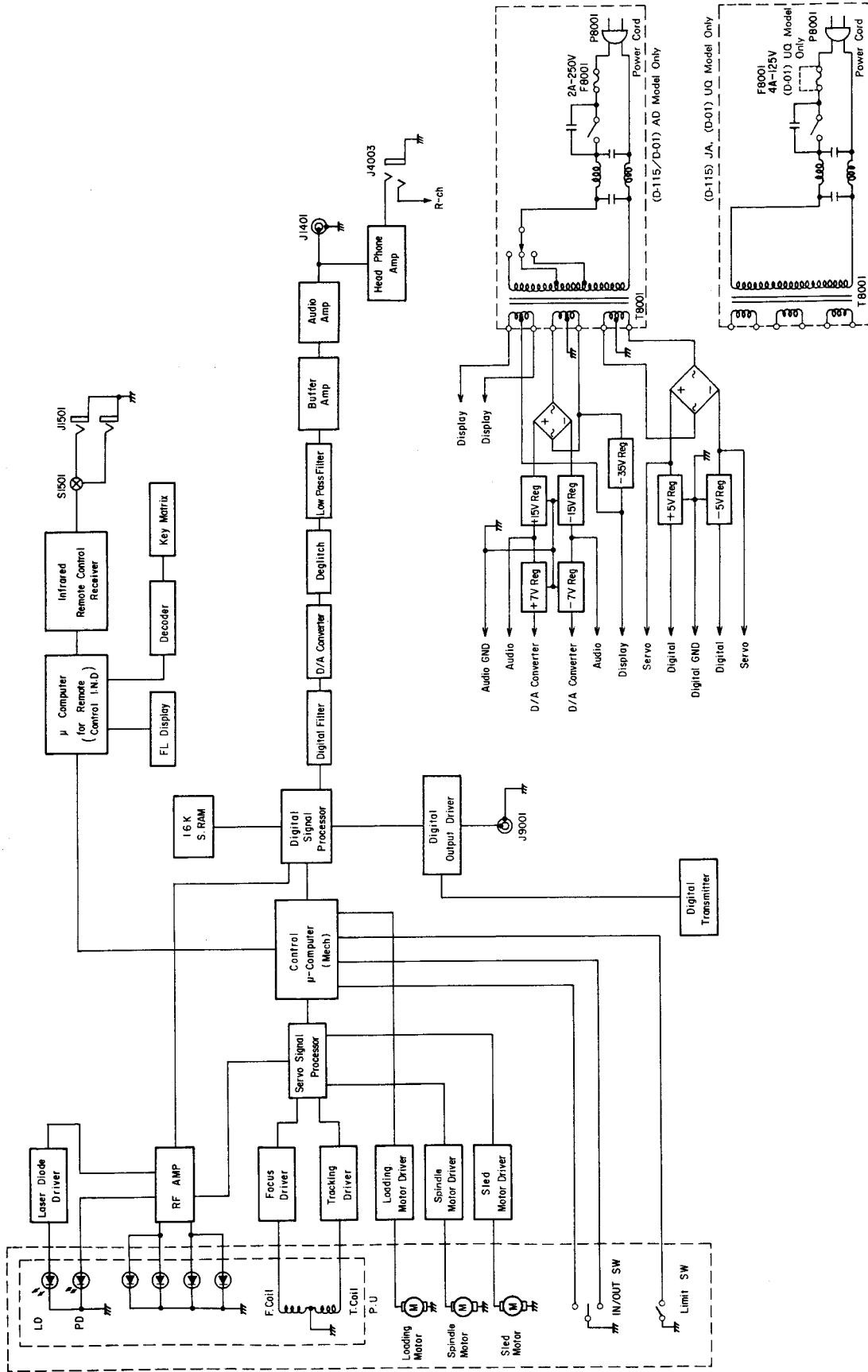
Main P. C. Board

(D-115) JA / (D-01) UQ Model Only



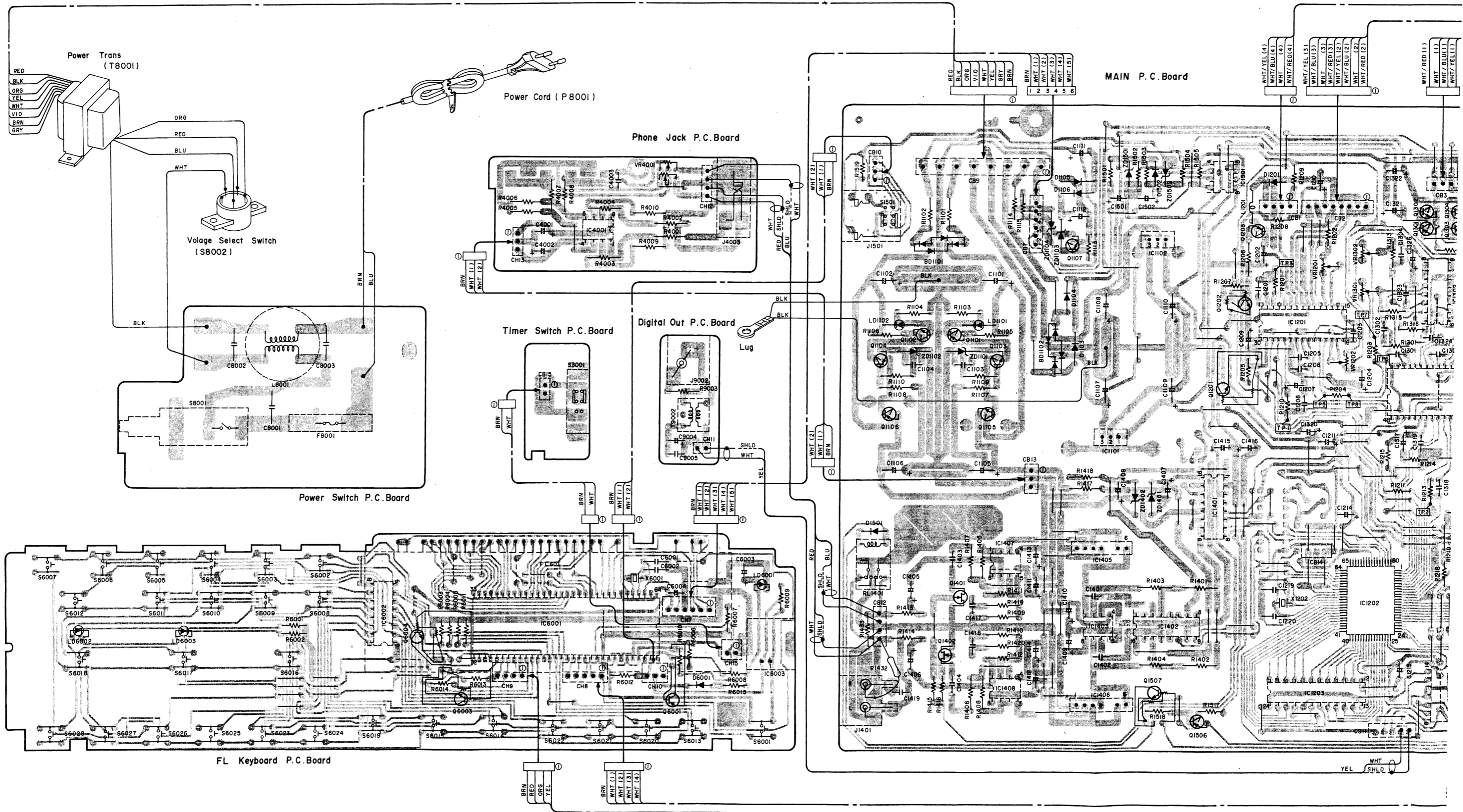
Main P. C. Board

# Block Diagram

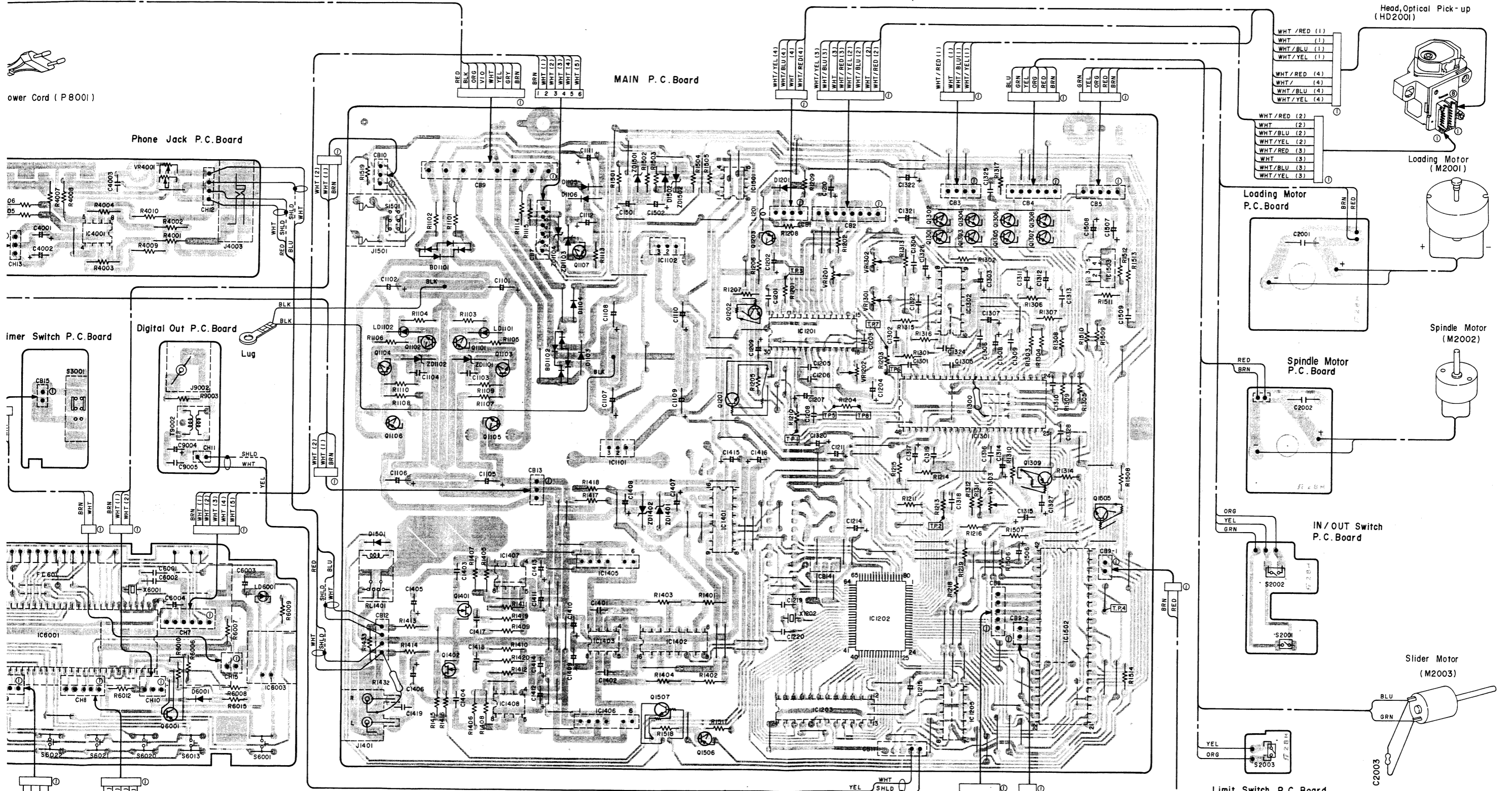




Parts Layout on P.C. Boards and Wiring Diagram (D-115/D-01) AD Model Only

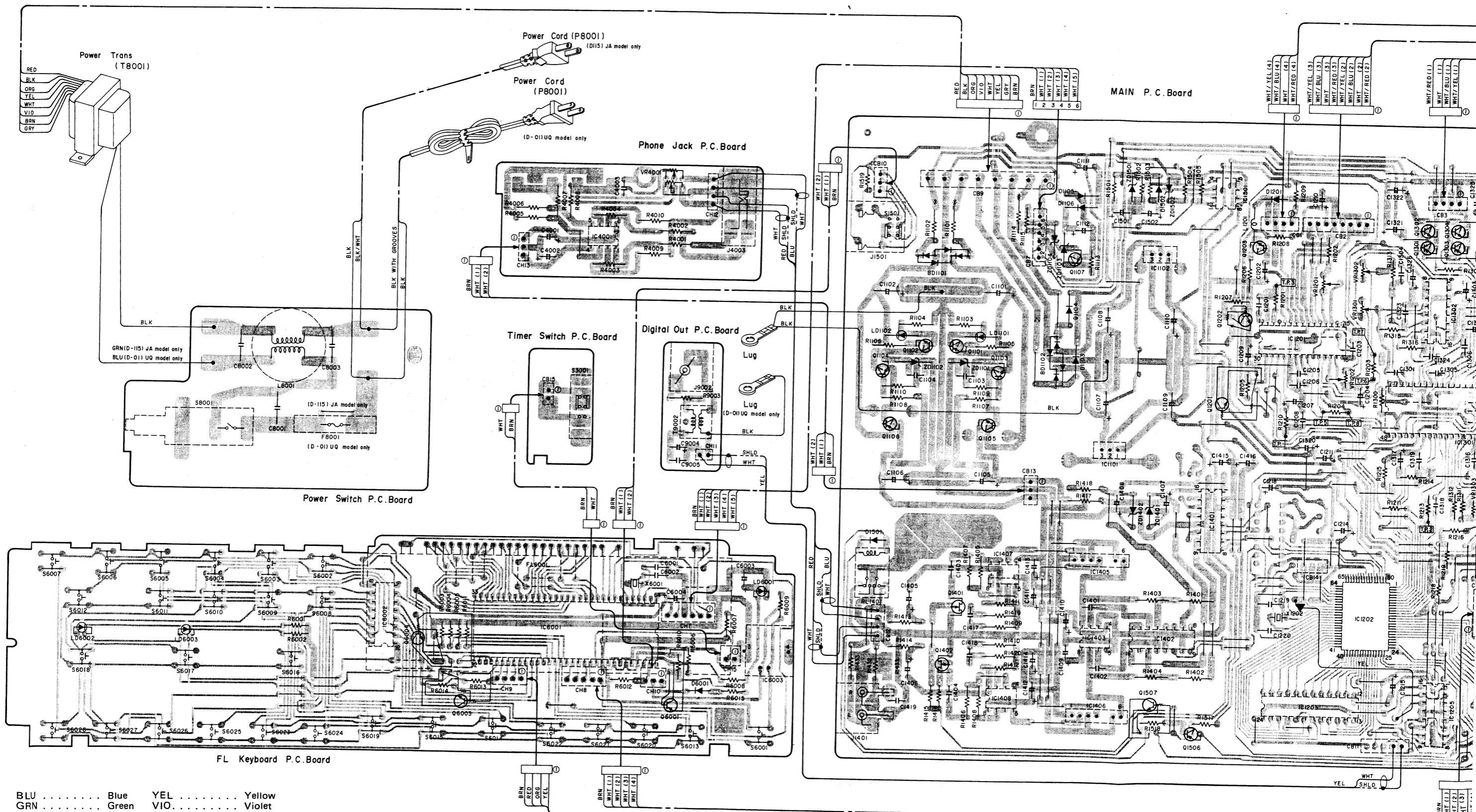


AD Model Only



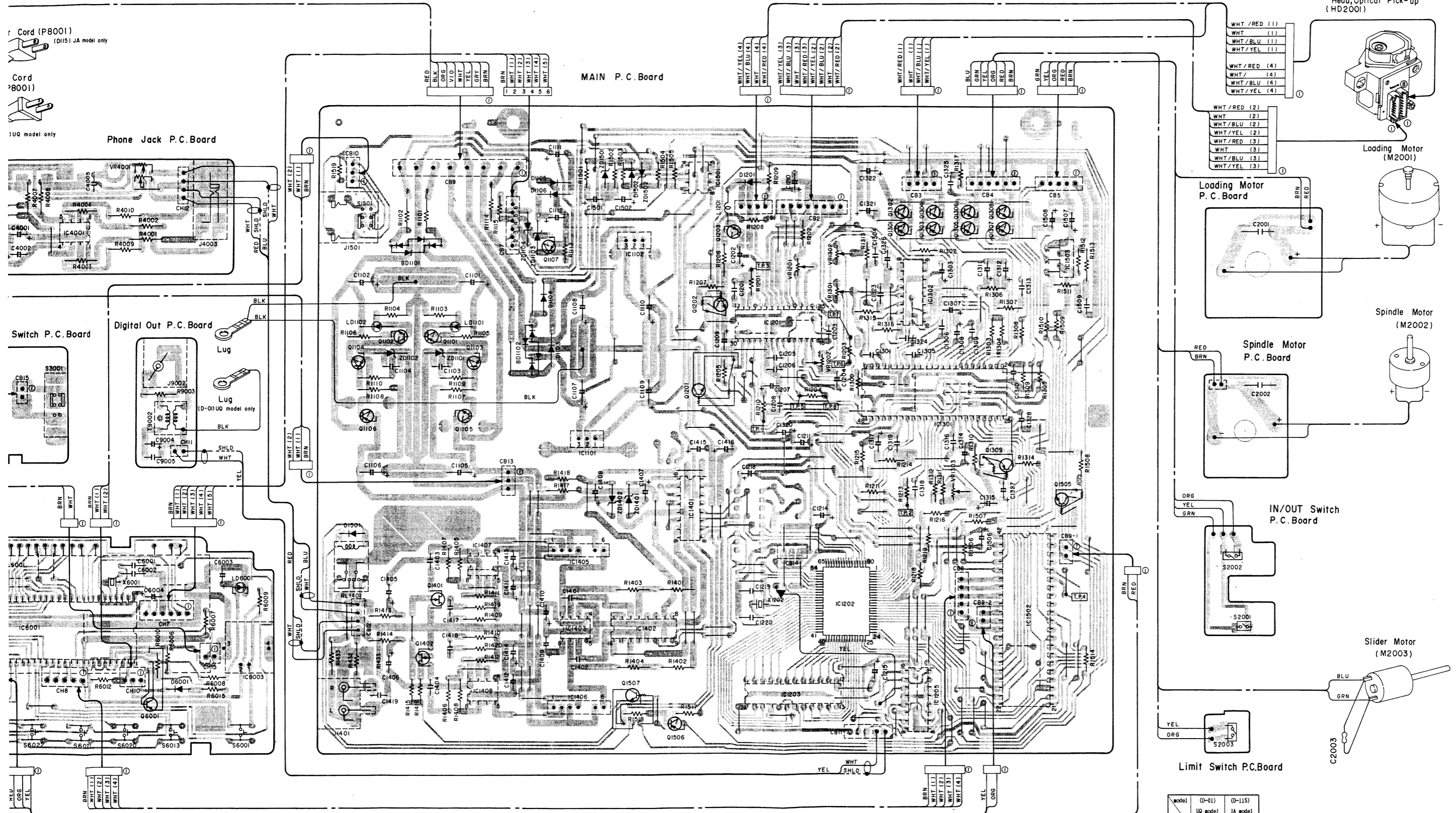
BLU	Blue	YEL	Yellow
GRN	Green	VIO.	Violet
BLK	Black	PNK	Pink
GRY	Gray	GRN/WHT.	Green/White
WHT	White	GRY/WHT.	Gray/White
RED	Red	GRY/YEL	Gray/Yellow
BRN	Brown	GRN/YEL	Green/Yellow
ORG	Orange	SHLD.	Shield

# Parts Layout on P.C. Boards and Wiring Diagram (D-115) JA/ (D-01) UQ Model Only



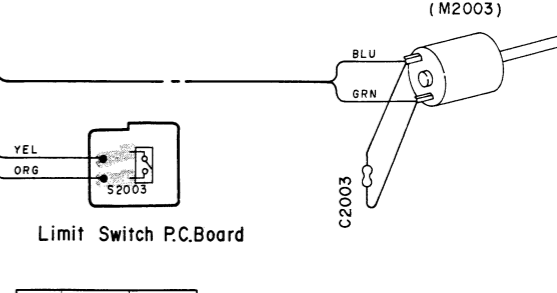
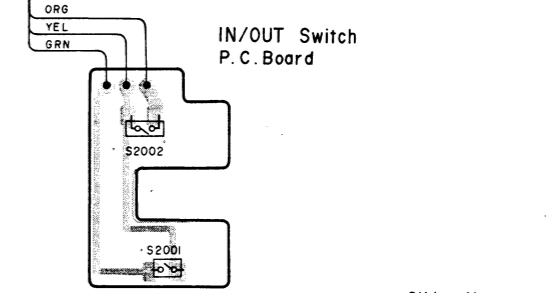
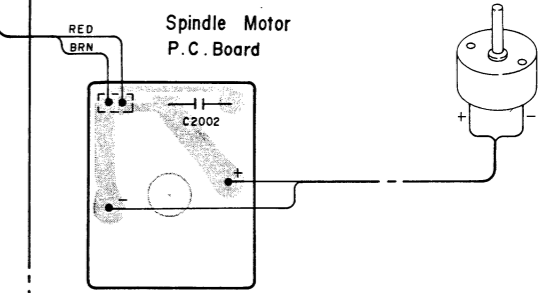
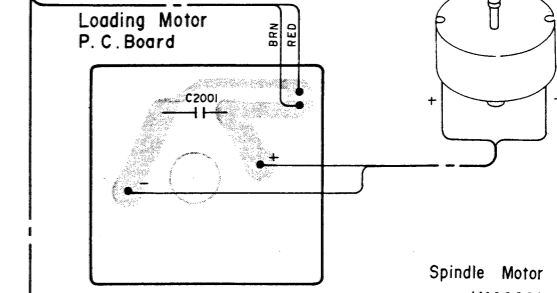
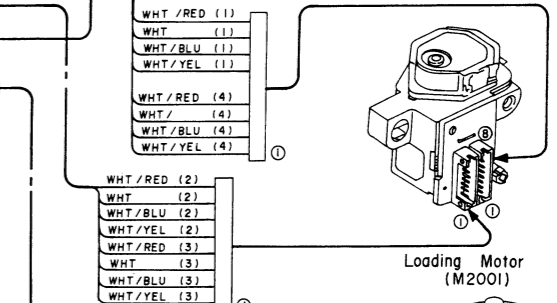
BLU	Blue	YEL	Yellow
GRN	Green	VIO	Violet
BLK	Black	PNK	Pink
GRY	Gray	GRN/WHT	Green/White
WHT	White	GRY/WHT	Gray/White
RED	Red	GRY/YEL	Gray/Yellow
BRN	Brown	GRN/YEL	Green/Yellow
ORG	Orange	SHLD.	Shield

am (D-115) JA/ (D-01) UQ Model Only



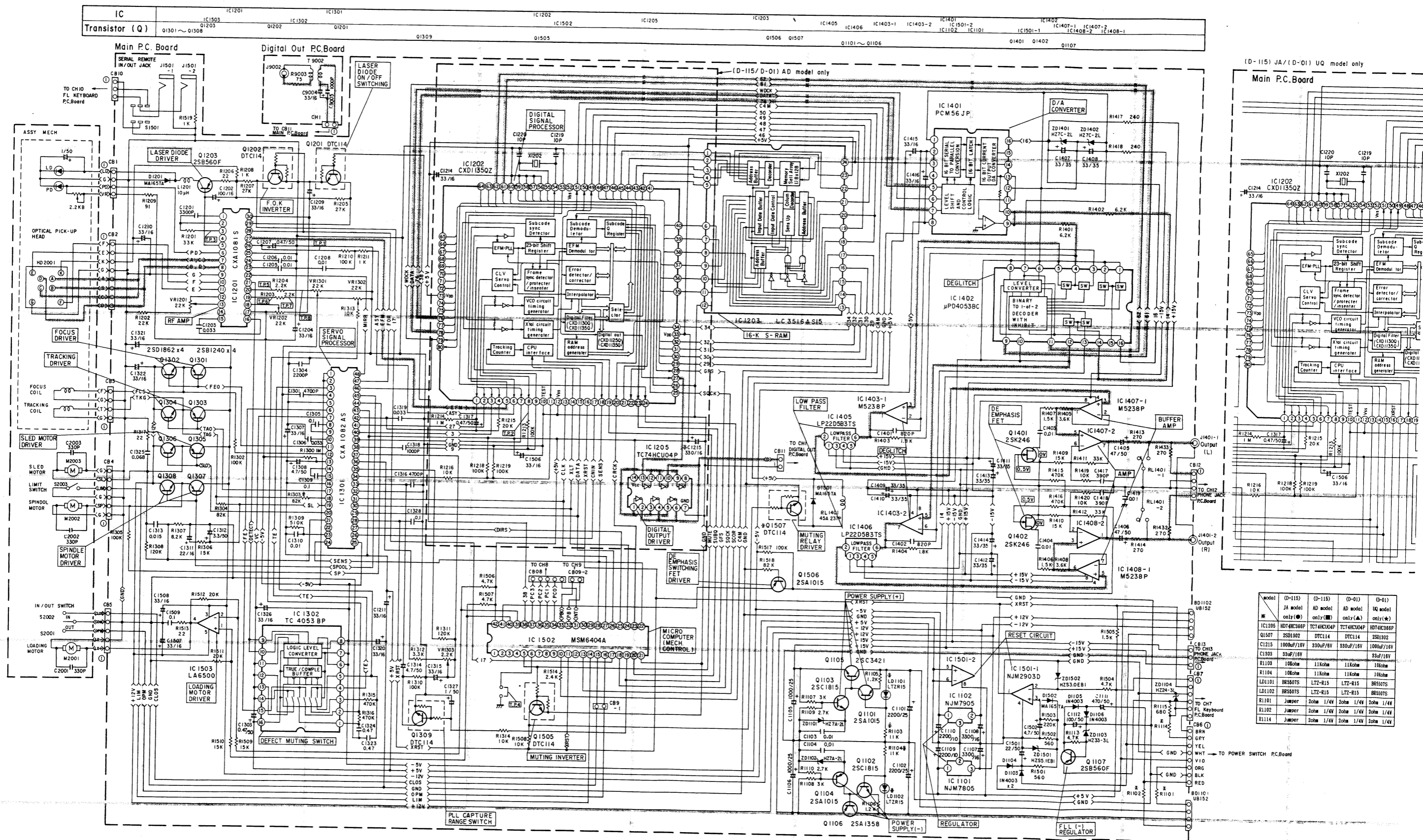
Power Cord (P8001)  
(D-115) JA model only

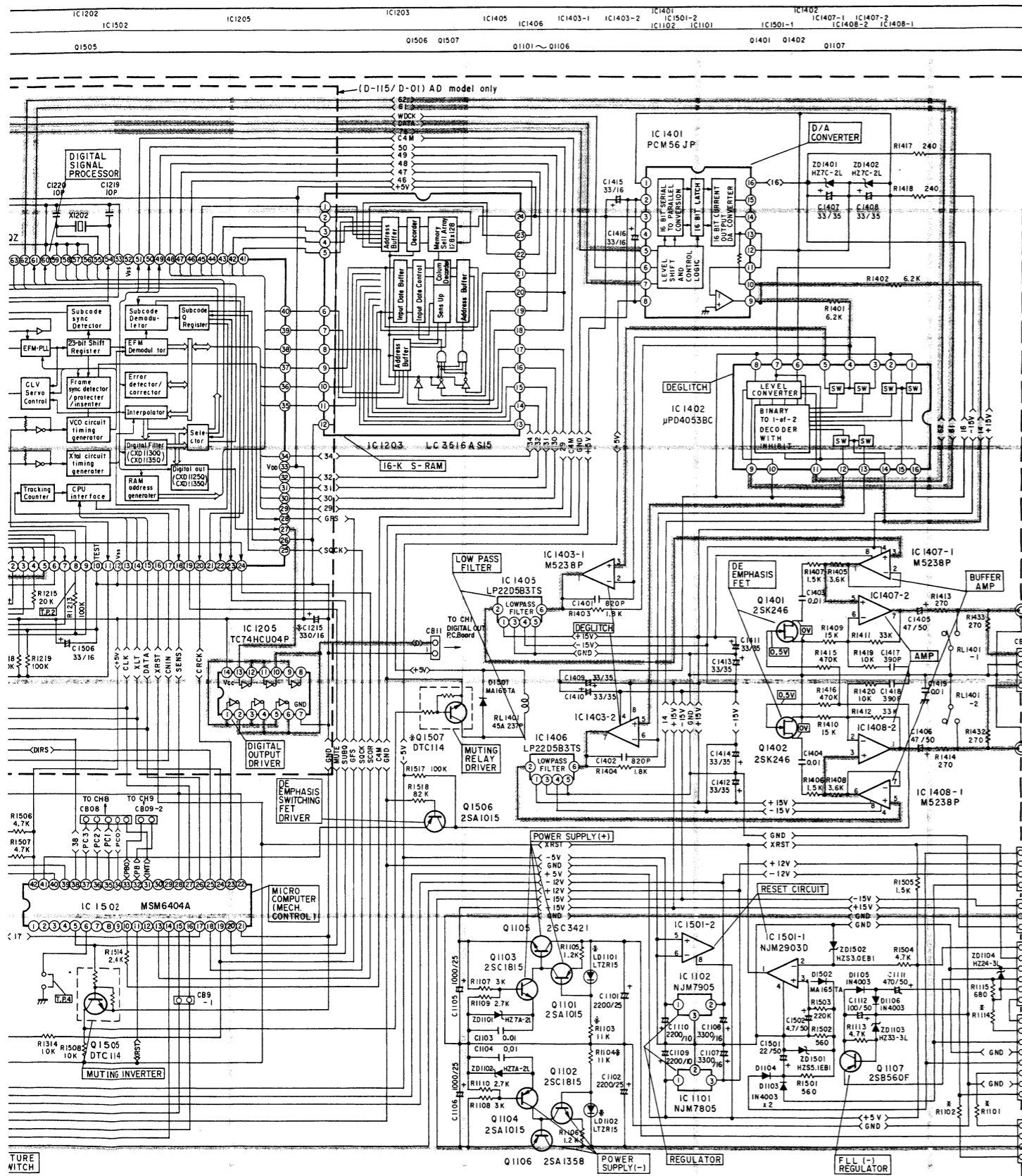
Cord (P8001)  
UQ model only



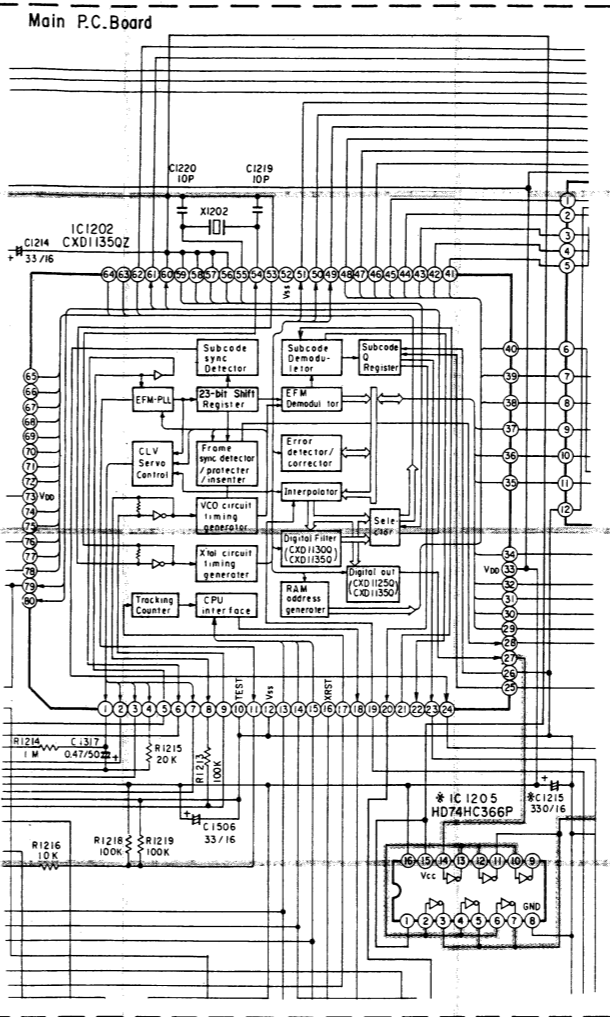
Model	(D-01) UQ model only	(D-115) JA model only
R1101	○	Jumper
R1102	○	Jumper
R1114	○	Jumper

# Schematic Diagram (1/2)





(D-115) JA/(D-01) UQ model only



Model	(D-115) JA model only	(D-115) AD model only	(D-01) AD model only	(D-01) UQ model only
IC1205	HD74HC366P	TCT4HC366P	TCT4HC366P	HD74HC366P
Q1507	2S0190Z	DTC114	DTC114	2S0190Z
C1215	1000pF/18V	330pF/18V	330pF/18V	1000pF/18V
C1309	33pF/18V	11kΩ	11kΩ	33pF/18V
R1109	10kΩ	11kΩ	11kΩ	10kΩ
R1104	10kΩ	11kΩ	11kΩ	10kΩ
LD1101	RE507S	L72-R15	L72-R15	RE507S
LD1102	RE507S	L72-R15	L72-R15	RE507S
R1101	Jumper	20kΩ 1/4W	20kΩ 1/4W	20kΩ 1/4W
R1102	Jumper	20kΩ 1/4W	20kΩ 1/4W	20kΩ 1/4W
R1114	Jumper	20kΩ 1/4W	20kΩ 1/4W	20kΩ 1/4W

**NOTES:**  
 1. All resistance values are in ohms. K = 1,000  
 2. All capacitance values are in microfarads. P =  $\frac{1}{1,000,000}$

	B	C	E
Q1203	2.7V	2V	3.4V
Q1202	2.2V	0V	0V
Q1201	3.5V	0V	0V
Q1302	0.2V	11V	0.5V
Q1301	0.2V	-12V	0.5V
Q1304	0V	11V	0V
Q1303	0V	-12V	0V
Q1306	0.8V	11V	0.2V
Q1305	0.8V	-12V	0.2V
Q1308	1.1V	11V	0.8V
Q1307	1.1V	-12V	0.8V
Q1309	2.8V	0V	0V
Q1310	0V	2.8V	0V
Q1505	0V	2.8V	0V
Q1506	3.7V	4.3V	4.3V
Q1507	2.8V	1V	0V
Q1105	16V	23V	15.8V
Q1101	20.5V	16V	20.8V
Q1103	7.2V	16V	6.8V
Q1104	-7.2V	16V	-6.8V
Q1102	-21.2V	16V	-20.5V
Q1106	16V	-22V	-15V
Q1107	85V	-42V	-84.7V

IC1301	IC1502	IC1403	IC1407	IC1408	IC1501
1	-5V	1	0V	1	0V
2	-5V	2	0V	2	0V
3	0V	3	5V	3	5V
4	0V	4	0V	4	0V
5	0V	5	0V	5	0V
6	0V	6	5V	6	5V
7	0V	7	0V	7	0V
8	0V	8	0V	8	0V
9	0V	9	2.5V	9	2.5V
10	0V	10	2.5V	10	2.5V
11	1V	11	5V	11	5V
12	0V	12	0V	12	0V
13	0.5V	13	0V	13	0V
14	0V	14	5V	14	5V
15	0V	15	0V	15	0V
16	5V	16	5V	16	5V
17	0V	17	0V	17	0V
18	0V	18	2.5V	18	2.5V
19	0V	19	0V	19	0V
20	-0.5V	20	1V	20	1V
21	0V	21	0V	21	0V
22	-	22	0V	22	0V
23	-4V	23	5V	23	5V
24	3V	24	5V	24	5V
25	-5V	25	5V	25	5V
26	5V	26	5V	26	5V
27	5V	27	5V	27	5V
28	5V	28	5V	28	5V
29	3.5V	29	0V	29	0V
30	5V	30	5V	30	5V
31	0V	31	5V	31	5V
32	0V	32	5V	32	5V
33	0V	33	5V	33	5V
34	2.5V	34	5V	34	5V
35	2.5V	35	5V	35	5V
36	2.5V	36	5V	36	5V
37	3.5V	37	5V	37	5V
38	2.2V	38	3.8V	38	3.8V
39	5V	39	5V	39	5V
40	0V	40	0V	40	0V
41	5V	41	5V	41	5V
42	2.5V	42	5V	42	5V
43	5V	43	5V	43	5V
44	0V	44	0V	44	0V
45	1V	45	1V	45	1V
46	2.5V	46	2.5V	46	2.5V
47	2V	47	2V	47	2V
48	0V	48	0V	48	0V

IC9001	IC1503
1	0V
2	2.4V
3	5V
4	0V
5	-
6	-
1	0V
2	0V
3	-12V
4	0V
5	+12V

IC1201	IC1202	IC1203	
1	0V	1	0V
2	1V	2	-5V
3	0V	3	2.5V
4	2.5V	4	2.5V
5	2.5V	5	2.5V
6	5V	6	2.5V
7	0V	7	5V
8	0V	8	2.5V
9	0V	9	2.5V
10	0V	10	0V
11	0V	11	0V
12	-0.5V	12	0V
13	-0.5V	13	5V
14	0V	14	5V
15	2.5V	15	3.4V
16	5V	16	5V
17	5V	17	0V
18	0V	18	3.3V
19	0V	19	0V
20	0V	20	5V
21	-5V	21	0V
22	0V	22	0V
23	0V	23	-1V
24	-2V	24	0V
25	0V	25	-2.5V
26	2.5V	26	0V
27	2.5V	27	-2.5V
28	2V	28	5V
29	0V	29	2V
30	2V	30	2.5V
31	2V	31	2.5V
32	2V	32	2.5V
33	5V	33	5V
34	2V	34	0V
35	2V	35	0V
36	5V	36	0V
37	5V	37	0V
38	5V	38	0V
39	5V	39	0V
40	5V	40	0V
41	5V	41	5V
42	2.5V	42	2.5V
43	0V	43	0V
44	0V	44	0V
45	1V	45	1V
46	2.5V	46	2.5V
47	2V	47	2V
48	0V	48	0V

IC1204	IC1205
1	0V
2	2.5V
3	0V
4	2.5V
5	2.5V
6	2.5V
7	2.5V
8	0V
9	0V
10	0V
11	0V
12	0V
13	0V
14	0V
15	0V
16	5V
17	8V
18	8V

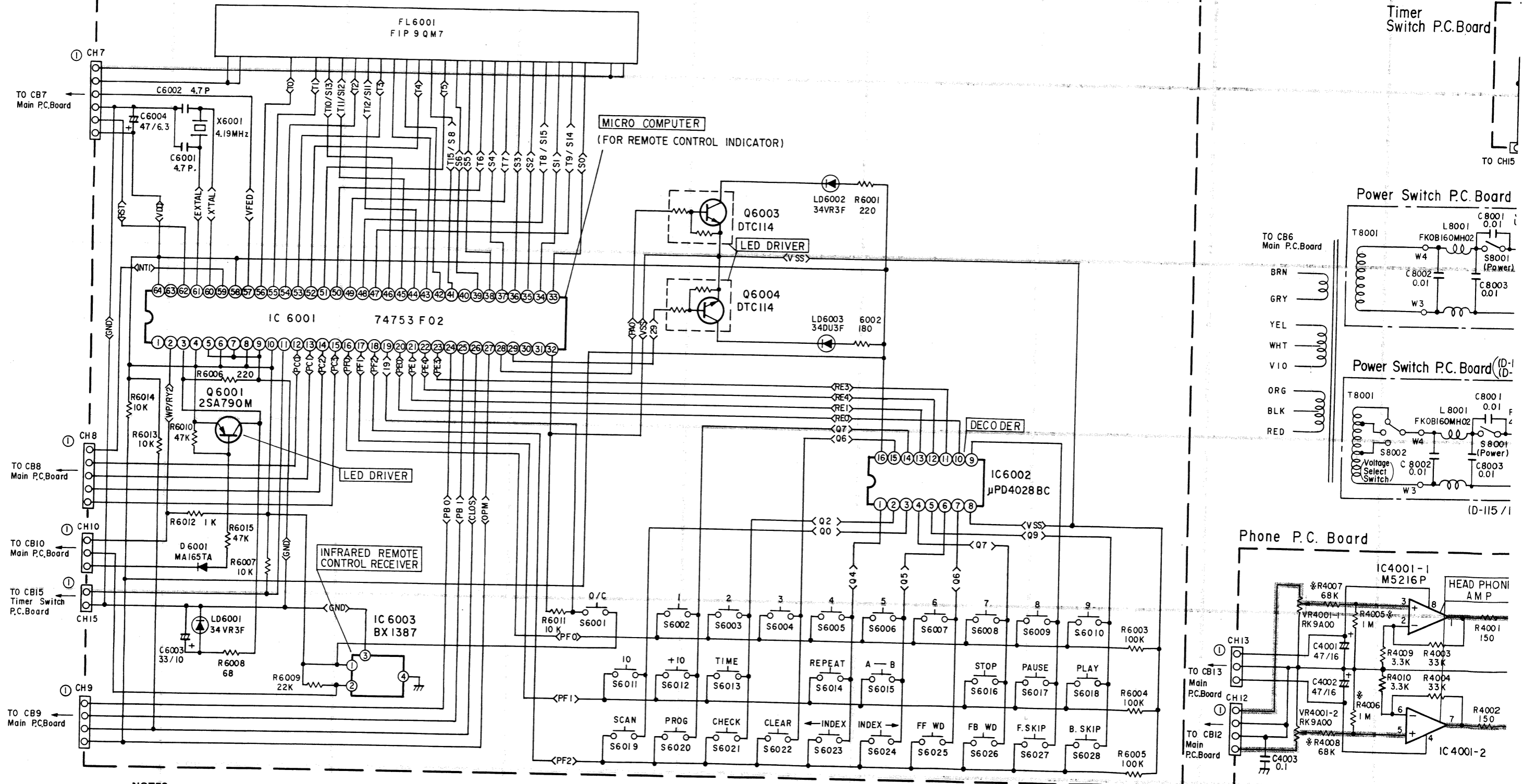
**Measuring Conditions**  
 1. Power Supply Voltage  
 : 100V 50/60Hz (D-115) JA model only : 120V, 60Hz (D-01) UQ model only  
 : 120V/220V/240V, 50Hz (D-115/D-01) AD model only  
 2. Measuring Meter  
 : Multi Voltmeter  
 3. Measuring Point Reference  
 : Between Ground  
 4. Measuring Condition  
 : No Signal Input  
 CD in play Condition

**D-115/D-01**

# Schematic Diagram (2/2)

IC	IC6001	IC6002	IC4001-1	IC4001-2
Transistor (Q)	Q6001	Q6003 Q6004	Q6003	Q6004

FL Keyboard P.C. Board



Timer Switch P.C. Board

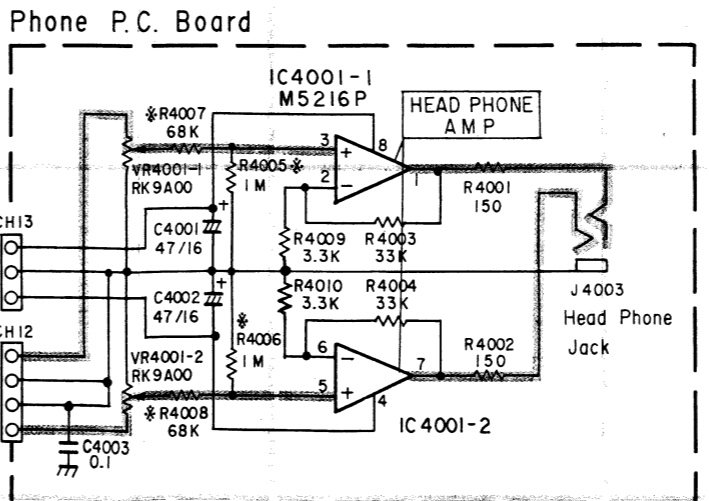
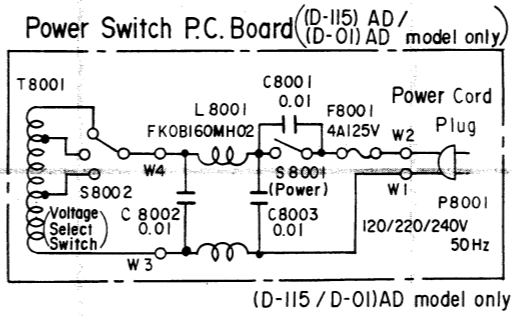
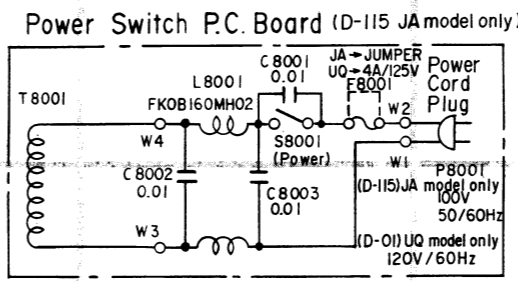
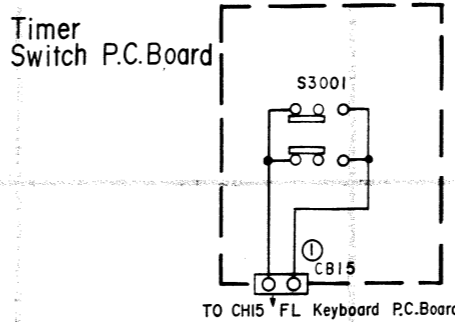
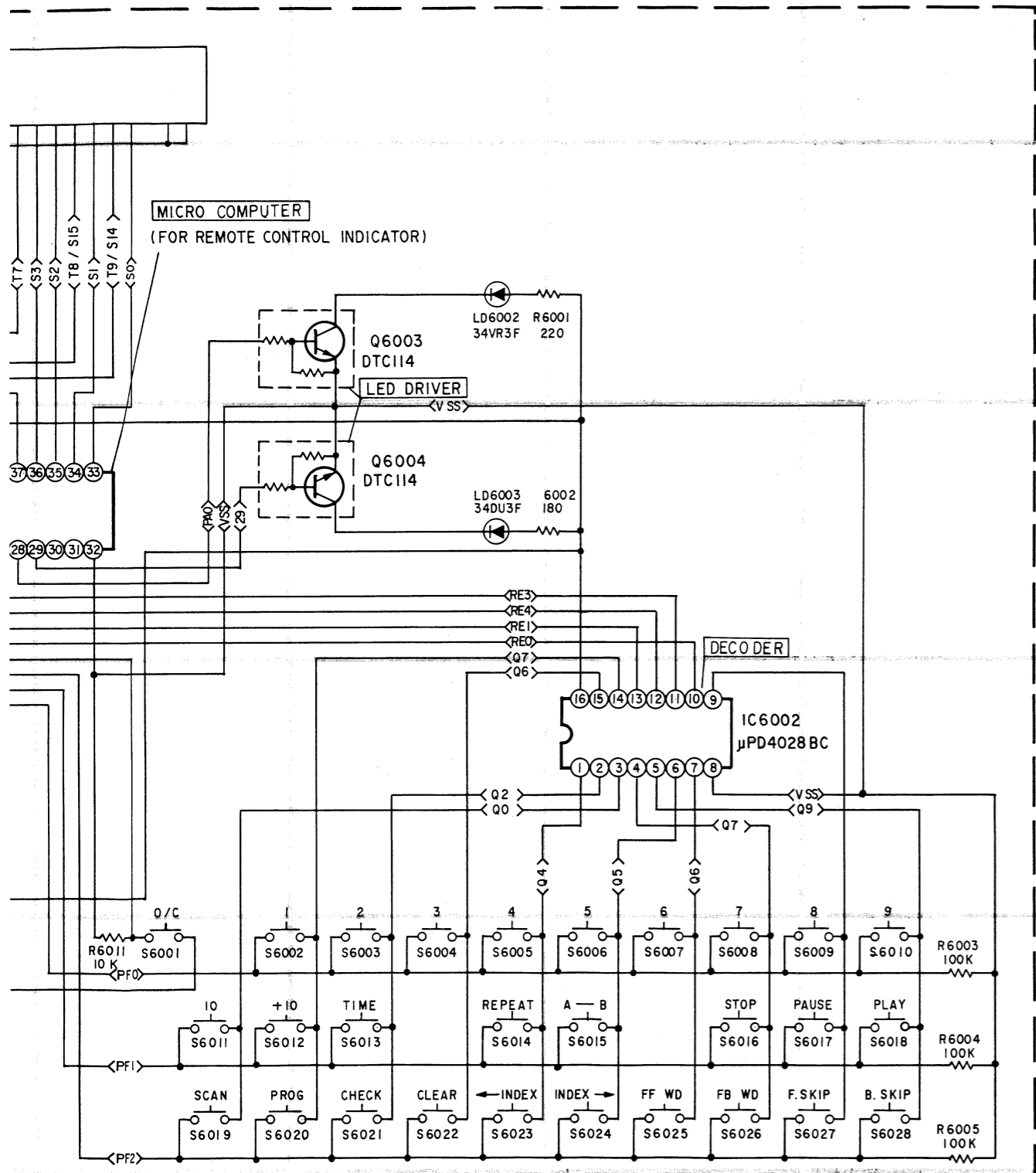
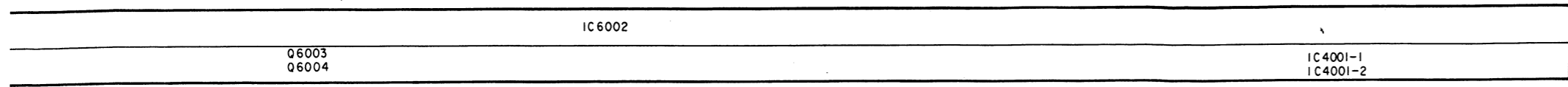
Power Switch P.C. Board

Power Switch P.C. Board (D-1)

Phone P.C. Board

- NOTES:
- All resistance values are in ohms. K = 1,000
  - All capacitance values are in microfarads. P =  $\frac{1}{1,000,000}$

D-115 / D-01



	B	C	E
Q6003	5V	0V	0V
Q6004	0V	3.7V	0V
Q6001	5V	0V	5V

IC 6001

1	0V	33	PS
2	5V	34	PS
3	0V	35	PS
4	5V	36	PS
5	0V	37	PS
6	0V	38	PS
7	0V	39	PS
8	5V	40	PS
9	0V	41	PS
10	5V	42	PS
11	5V	43	PS
12	0V	44	PS
13	5V	45	PS
14	5V	46	PS
15	5V	47	PS
16	0V	48	PS
17	0V	49	PS
18	0V	50	PS
19	0V	51	PS
20	0V	52	PS
21	0V	53	PS
22	0V	54	PS
23	0V	55	PS
24	5V	56	PS
25	5V	57	0V
26	5V	58	5V
27	0V	59	5V
28	5V	60	2.2V
29	0V	61	0V
30	0V	62	5V
31	0V	63	0V
32	0V	64	5V

IC4001

1	0V
2	0V
3	0V
4	-15V
5	0V
6	0V
7	0V
8	+15V

IC6002

1	0V	9	0V
2	0V	10	0V
3	5V	11	0V
4	0V	12	0V
5	0V	13	0V
6	0V	14	0V
7	0V	15	0V
8	0V	16	5V

model	(D-115) JA model only(●)	(D-115) AD model only(■)	(D-01) AD model only(▲)	(D-01) UQ model only(★)
R4007	3.3Kohm	68Kohm	68Kohm	3.3Kohm
R4008	3.3Kohm	68Kohm	68Kohm	3.3Kohm
R4005	820Kohm	1Mohm	1Mohm	820Kohm
R4006	820Kohm	1Mohm	1Mohm	820Kohm



# Electrical Parts List

Resistor : Carbon resistors under 1/4 watts are not mentioned in the parts list, please confirm them by schematic diagram.  
 uF = microfarads, pF = picofarads

Abbreviations				Symbol No.	Part No.	Description
RES. = Resistor	CAP. = Capacitor			Q1301	48T84238F04	2SB1240
C.F. = Carbon Film	ELY. = Electrolytic			Q1302	48T83834F04	2SD1862
M.F. = Metal Film	CER. = Ceramic			Q1303	48T84238F04	2SB1240
M.O. = Metal Oxide Film	MYL. = Mylar			Q1304	48T83834F04	2SD1862
M.P. = Metal Plate	TAN. = Tantalum			Q1305	48T84238F04	2SB1240
TR. = Transistor	POLY. = Polystyrol			Q1306	48T83834F04	2SD1862
TRANS. = Transformer	PP. = Polypropylene			Q1307	48T84238F04	2SB1240
CP. = Chip	PLT. = Polyethylene			Q1308	48T83834F04	2SD1862
				Q1309	48T62965F02	DTC114
				Q1401	48T66948F01	FET, 2SK246
				Q1402	48T66948F01	FET, 2SK246
				Q1505	48T62965F02	DTC114
				Q1506	48T51118F02	2SA1015
				● Q1507	48T57305F04	2SD1302
				■ Q1507	48T62965F02	DTC114
				▲ Q1507	48T62965F02	DTC114
				★ Q1507	48T57305F04	2SD1302
Main P. C. Board				Diodes / LEDs		
IC's				D1103	48S40477U01	IN4003
IC1101	51T80338F01	NJM7805		D1104	48S40477U01	IN4003
IC1102	51T80339F01	NJM7905		D1105	48S40477U01	IN4003
IC1201	51T84721F01	CXA1081S		D1106	48S40477U01	IN4003
IC1202	51T84719F01	CXD1135QZ		D1201	48T44813F01	MA165TA
IC1203	51T84723F01	LC3516AS-15		D1501	48T44813F01	MA165TA
● IC1205	51T93405F01	HD74HC366P		D1502	48T44813F01	MA165TA
■ IC1205	51T80475F01	TC74HCU04P		● LD1101	48T52953F03	LED, BR5507S (RED)
▲ IC1205	51T80475F01	TC74HCU04P		■ LD1101	48T60971F01	LED, LTZ-R15 (RED)
★ IC1205	51T93405F01	HD74HC366P		▲ LD1101	48T60971F01	LED, LTZ-R15 (RED)
IC1301	51T84722F01	CXA1082AS		★ LD1101	48T52953F03	LED, BR5507S (RED)
				● LD1102	48T52953F03	LED, BR5507S (RED)
IC1302	51T68388F01	TC4053BP		■ LD1102	48T60971F01	LED, LTZ-R15 (RED)
IC1401	51T80318F01	PCM56JP		▲ LD1102	48T60971F01	LED, LTZ-R15 (RED)
IC1402	51T67480F01	μ PD4053BC		★ LD1102	48T52953F03	LED, BR5507S
IC1403	51T80136F01	M5238P		ZD1101	48T52741F11	Zener, HZ7A-2L
IC1405	51T84726F02	LP20D5B3TS		ZD1102	48T52741F11	Zener, HZ7A-2L
IC1406	51T84726F02	LP20D5B3TS		ZD1103	48T52741F72	Zener, HZ33-3L
IC1407	51T80136F01	M5238P		ZD1104	48T52741F63	Zener, HZ24-3L
IC1408	51T80136F01	M5238P		ZD1401	48T52741F17	Zener, HZ7C-2L
IC1501	51T64227F01	NJM2903D		ZD1402	48T52741F17	Zener, HZ7C-2L
IC1502	51T84725F01	MSM6404A		ZD1501	48T68697F17	Zener, HZS5. 1EB1
IC1503	51T91028F01	LA6500		ZD1502	48T68697F03	Zener, HZS3. 0EB1
Transistors				● BD1101	48T62282F02	Bridge UB152
Q1101	48T51118F02	2SA1015		■ BD1101	48T62282F01	Bridge UB152
Q1102	48S43525F03	2SC1815				
Q1103	48S43525F03	2SC1815				
Q1104	48T51118F02	2SA1015				
Q1105	48T69176F02	2SC3421				
Q1106	48T69177F02	2SA1358				
Q1107	48T58775F02	2SB560				
Q1201	48T62965F02	DTC114				
Q1202	48T62965F02	DTC114				
Q1203	48T58775F02	2SB560				

Notes: ● : Japanese model (D-115) only (JA), ■ : West German model (D-115) only (AD), ▲ : West German model (D-01) only (AD), ★ : Canadian model (D-01) only (UQ), Others : Common.

Symbol No.	Part No.	Description			Symbol No.	Part No.	Description		
▲	BD1101	48T62282F01	Bridge UB152			C1204	23T00138L19	ELY., 33 $\mu$ F/16V	
★	BD1101	48T62282F02	Bridge UB152			C1205	08T57705F67	MYL., 0.01 $\mu$ F	
●	BD1102	48T62282F02	Bridge UB152			C1206	08T57705F67	MYL., 0.01 $\mu$ F	
■	BD1102	48T62282F01	Bridge UB152			C1207	23T00138L44	ELY., 0.47 $\mu$ F/50V	
▲	BD1102	48T62282F01	Bridge UB152			C1208	08T57705F67	MYL., 0.01 $\mu$ F	
★	BD1102	48T62282F02	Bridge UB152			C1209	23T00138L19	ELY., 33 $\mu$ F/16V	
Coil						C1210	23T00138L19	ELY., 33 $\mu$ F/16V	
L1201	24T50508F22	Inductor 10 $\mu$ H				C1211	23T00138L19	ELY., 33 $\mu$ F/16V	
Relay/Crystal						C1214	23T00138L19	ELY., 33 $\mu$ F/16V	
RL1401	80T68404F02	Relay, G5A 237P-5V			●	C1215	23T00134L36	ELY., 1000 $\mu$ F/16V	
X1202	48T84727F01	Crystal, 16.9344MHz			■	C1215	23T00134L34	ELY., 330 $\mu$ F/16V	
Jacks						▲	C1215	23T00134L34	ELY., 330 $\mu$ F/16V
●	J1401	09T84616F01	Plate, Phono (OUTPUT L/R)			★	C1215	23T00134L36	ELY., 1000 $\mu$ F/16V
■	J1401	09T84616F01	Plate, Phono			C1219	08T55260F13	CER., 10pF	
▲	J1401	09T84616F01	Plate, Phono			C1220	08T55260F13	CER., 10pF	
★	J1401	09T84616F02	Plate, Phono			C1301	08T57705F63	MYL., 4700pF	
J1501	09T84124F01	Jack, Head Phone (SERIAL REMOTE IN /OUT)			●	C1303	23T00138L19	ELY., 33 $\mu$ F/16V	
S1501					■	C1303	23T00138L44	ELY., 0.47 $\mu$ F/50V	
Capacitors						▲	C1303	23T00138L44	ELY., 0.47 $\mu$ F/50V
C1101	23T00136L47	ELY., 2200 $\mu$ F/25V			★	C1303	23T00138L19	ELY., 33 $\mu$ F/16V	
C1102	23T00136L47	ELY., 2200 $\mu$ F/25V			C1304	08T57705F59	MYL., 2200pF		
C1103	08T57705F79	MYL., 0.1 $\mu$ F			C1305	08T57705F79	MYL., 0.1 $\mu$ F		
C1104	08T57705F79	MYL., 0.1 $\mu$ F			C1306	08T57705F73	MYL., 0.033 $\mu$ F		
C1105	23T00136L46	ELY., 1000 $\mu$ F/25V			C1307	23T00138L19	ELY., 33 $\mu$ F/16V		
C1106	23T00136L46	ELY., 1000 $\mu$ F/25V			C1308	23T00138L48	ELY., 4.7 $\mu$ F/50V		
C1107	23T00136L35	ELY., 3300 $\mu$ F/16V			C1309	08T57705F79	MYL., 0.1 $\mu$ F		
C1108	23T00136L35	ELY., 3300 $\mu$ F/16V			C1310	08T57705F67	MYL., 0.01 $\mu$ F		
C1109	23T00136L21	ELY., 2200 $\mu$ F/10V			C1311	23T00138L18	ELY., 22 $\mu$ F/16V		
C1110	23T00136L21	ELY., 2200 $\mu$ F/10V			C1312	23T00138L47	ELY., 3.3 $\mu$ F/50V		
C1111	23T00134L74	ELY., 470 $\mu$ F/50V			C1313	08T57705F69	MYL., 0.015 $\mu$ F		
C1112	23T00138L53	ELY., 100 $\mu$ F/50V			C1314	23T00138L48	ELY., 4.7 $\mu$ F/50V		
C1201	08T57705F61	MYL., 3300pF			C1315	23T00138L19	ELY., 33 $\mu$ F/16V		
C1202	23T00138L21	ELY., 100 $\mu$ F/16V			C1316	08T57705F63	MYL., 4700pF		
C1203	08T57705F73	MYL., 0.033 $\mu$ F			C1317	23T00138L44	ELY., 0.47 $\mu$ F/50V		
					C1318	08T57705F55	MYL., 1000pF		
					C1319	08T57705F73	MYL., 0.033 $\mu$ F		
					C1320	23T00138L19	ELY., 33 $\mu$ F/16V		
					C1321	23T00138L19	ELY., 33 $\mu$ F/16V		
					C1322	23T00138L19	ELY., 33 $\mu$ F/16V		
					C1323	08T57851F21	TF., 0.47 $\mu$ F		
					C1324	08T57851F21	TF., 0.47 $\mu$ F		
					C1325	08T80673F11	TF., 0.068 $\mu$ F		
					C1326	23T00138L19	ELY., 33 $\mu$ F/16V		
					●	C1327	23T00136L60	ELY., 1 $\mu$ F/50V	
					■	C1327	23T00138L45	ELY., 1 $\mu$ F/50V	
					▲	C1327	23T00138L45	ELY., 1 $\mu$ F/50V	
					★	C1327	23T00136L60	ELY., 1 $\mu$ F/50V	
					C1328	08T57298F01	CER., 0.1 $\mu$ F		
					C1401	08T52448F11	PP., 820pF		
					C1402	08T52448F11	PP., 820pF		

Notes: ●: Japanese model (D-115) only (JA), ■: West German model (D-115) only (AD),  
▲: West German model (D-01) only (AD), ★: Canadian model (D-01) only (UQ), Others: Common.

Symbol No.	Part No.	Description			Symbol No.	Part No.	Description		
C1403	08T57851F01	TF., 0.01 $\mu$ F			Headphone P. C. Board				
C1404	08T57851F01	TF., 0.01 $\mu$ F			IC				
C1405	23T00138F52	ELY., 47 $\mu$ F/50V			IC4001	51T81896F01	M5216P		
C1406	23T00138L52	ELY., 47 $\mu$ F/50V			Jacks				
C1407	23T00138L38	ELY., 33 $\mu$ F/35V			● J4003	09T74077F01	Phones (PHONE)		
C1408	23T00138L38	ELY., 33 $\mu$ F/35V			■ J4003	09T74077F01	Phones (PHONE)		
C1409	23T00138L38	ELY., 33 $\mu$ F/35V			▲ J4003	09T74077F01	Phones (PHONE)		
C1410	23T00138L38	ELY., 33 $\mu$ F/35V			★ J4003	09T66672F01	Phones (PHONE)		
C1411	23T00138L38	ELY., 33 $\mu$ F/35V			Capacitors				
C1412	23T00138L38	ELY., 33 $\mu$ F/35V			C4001	23T00138L20	ELY., 47 $\mu$ F/16V		
C1413	23T00138L38	ELY., 33 $\mu$ F/35V			C4002	23T00138L20	ELY., 47 $\mu$ F/16V		
C1414	23T00138L38	ELY., 33 $\mu$ F/35V			C4003	08T57298F01	CER., 0.1 $\mu$ F		
C1415	23T00138L19	ELY., 33 $\mu$ F/16V			FL keyboard P. C. Board				
C1416	23T00138L19	ELY., 33 $\mu$ F/16V			IC's				
C1417	08T52448F03	PP., 390pF			IC6001	51T74753F02	74753F02		
C1418	08T52448F03	PP., 390pF			IC6002	51T51507F01	$\mu$ PD4028BC		
C1419	08S40805F19	CER., 0.01 $\mu$ F			IC6003	51T84120F01	BX1387		
C1501	23T00138L50	ELY., 22 $\mu$ F/50V			Transistors				
C1502	23T00138L48	ELY., 4.7 $\mu$ F/50V			● Q6001	48T64382F03	2SA790		
C1506	23T00138L19	ELY., 33 $\mu$ F/16V			■ Q6001	48T64382F01	2SA790		
C1507	23T00138L19	ELY., 33 $\mu$ F/16V			▲ Q6001	48T64382F01	2SA790		
C1508	23T00138L19	ELY., 33 $\mu$ F/16V			★ Q8001	48T82763F02	DTC114EL		
C1509	08T80673F13	TF., 0.1 $\mu$ F			● Q6003	48T82763F02	DTC114EL		
Resistors (All resistors are Metal Film 1/4W $\pm$ 5% unless otherwise noted.)									
■ R1101	06T66931F04	MF., 2 ohm			■ Q6003	48T62965F02	DTC114		
▲ R1101	06T66931F04	MF., 2 ohm			▲ Q6003	48T62965F02	DTC114		
★ R1101	06T66931F04	MF., 2 ohm			★ Q6003	48T82763F02	DTC114EL		
■ R1102	06T66931F04	MF., 2 ohm			● Q6004	48T82763F02	DTC114EL		
▲ R1102	06T66931F04	MF., 2 ohm			■ Q6004	48T62965F02	DTC114		
★ R1102	06T66931F04	MF., 2 ohm			▲ Q6004	48T62965F02	DTC114		
■ R1114	06T66931F04	MF., 2 ohm			★ Q6004	48T82763F02	DTC114EL		
▲ R1114	06T66931F04	MF., 2 ohm			■ Q6004	48T62965F02	DTC114		
★ R1114	06T66931F04	MF., 2 ohm			▲ Q6004	48T62965F02	DTC114		
VR1201	18B44064J10	Variable 22K ohm 1/2W			★ Q6004	48T82763F02	DTC114EL		
VR1202	18B44064J10	Variable 22K ohm 1/2W							
VR1301	18B44064J10	Variable 22K ohm 1/2W							
VR1302	18B44064J10	Variable 22K ohm 1/2W							
VR1303	18B44064J08	Variable 2.2K ohm 1/2W							

Notes: ● : Japanese model (D-115) only (JA), ■ : West German model (D-115) only (AD),  
▲ : West German model (D-01) only (AD), ★ : Canadian model (D-01) only (UQ), Others : Common.

Symbol No.	Part No.	Description			Symbol No.	Part No.	Description		
Diode/LEDs					Crystal/Capacitors				
D6001	48T44813F01	MA165TA			X6001	91T60592F02	Crystal, Lock, 4.19MHz		
LD6001	48T60947F05	LED, SLH-34VR3F (RED)			C6001	08T55260F09	CER., 4.7pF		
LD6002	48T60947F05	LED, SLH-34VR3F (RED)			C6002	08T55260F09	CER., 4.7pF		
LD6003	48T60947F07	LED, SLH-34DU3F (ORG)			C6003	23S57422F12	ELY., 33 $\mu$ F/10V		
					C6004	23S57422F14	ELY., 47 $\mu$ F/6.3V		
Switches					Power Switch P. C. Board				
S6001	40T83324F01	Tact SKHHAP (O/C)			Coil/Switch				
S6002	40T83324F01	Tact SKHHAP (1)			L8001	24T82315F01	Choke, Filter, FKOB160MH02		
S6003	40T83324F01	Tact SKHHAP (2)			S8001	40T84122F01	Switch, Power SDDLE (POWER)		
S6004	40T83324F01	Tact SKHHAP (3)			Capacitors				
S6005	40T83324F01	Tact SKHHAP (4)			C8001	08T57437F09	CER., 0.01 $\mu$ F		
S6006	40T83324F01	Tact SKHHAP (5)			C8002	08T57437F09	CER., 0.01 $\mu$ F		
S6007	40T83324F01	Tact SKHHAP (6)			C8003	08T57437F09	CER., 0.01 $\mu$ F		
S6008	40T83324F01	Tact SKHHAP (7)			Digital Out P. C. Board				
S6009	40T83324F01	Tact SKHHAP (8)			Transformer/Jacks				
S6010	40T83324F01	Tact SKHHAP (9)			T9002	25T90530F01	TRANS., PULS		
S6011	40T83324F01	Tact SKHHAP (10)			● J9002	09T84775F02	Plate, Phone Jack (DIGITAL OUT COAX)		
S6012	40T83324F01	Tact SKHHAP (+10)			■ J9002	09T84775F02	Plate, Phone Jack (DIGITAL OUT COAX)		
S6013	40T83324F01	Tact SKHHAP (TIME)			▲ J9002	09T84775F01	Plate, Phone Jack (DIGITAL OUT COAX)		
S6014	40T83324F01	Tact SKHHAP (REPEAT)			★ J9002	09T84775F01	Plate, Phone Jack (DIGITAL OUT COAX)		
S6015	40T83324F01	Tact SKHHAP (A→B)			Capacitors				
S6016	40T83324F01	Tact SKHHAP (STOP)			C9004	23T00138L19	ELY., 33 $\mu$ F/16V		
S6017	40T83324F01	Tact SKHHAP (PAUSE)			● C9005	08T00015L13	P.P., 1000pF		
S6018	40T83324F01	Tact SKHHAP (PLAY)			■ C9005	08T93192F49	POLY, 1000pF		
S6019	40T83324F01	Tact SKHHAP (SCAN)			▲ C9005	08T93192F49	POLY, 1000pF		
S6020	40T83324F01	Tact SKHHAP (PROG)			★ C9005	08T00015L13	P.P., 1000pF		
S6021	40T83324F01	Tact SKHHAP (CHECK)							
S6022	40T83324F01	Tact SKHHAP (CLEAR)							
S6023	40T83324F01	Tact SKHHAP (←INDEX)							
S6024	40T83324F01	Tact SKHHAP (INDEX→)							
S6025	40T83324F01	Tact SKHHAP (FF WD)							
S6026	40T83324F01	Tact SKHHAP (FB WD)							
S6027	40T83324F01	Tact SKHHAP (F.SKIP)							
S6028	40T83324F01	Tact SKHHAP (B.SKIP)							

Notes: ● : Japanese model (D-115) only (JA), ■ : West German model (D-115) only (AD), ▲ : West German model (D-01) only (AD), ★ : Canadian model (D-01) only (UQ), Others : Common.

Symbol No.	Part No.	Description			Symbol No.	Part No.	Description		
Miscellaneous									
	C2001	08S40154T43	CAP., CER., 330pF						
	C2002	08S40154T43	CAP., CER., 330pF						
	C2003	08S40154T43	CAP., CER., 330pF						
■	F8001	65T42077U19	Fuse, Semko, T-2A						
▲	F8001	65T42077U19	Fuse, Semko, T-2A						
★	F8001	65T66926F03	Fuse, 51NM (4A-125V)						
	FL6001	65T80320F01	FL, Display						
	HD2001	88T81528F01	Head, Optical Pick-up						
	M2001	01V81800F56	Assy., Motor Loading						
	M2002	59T81431F01	Motor, Spindle						
	M2003	59T81432F01	Motor, Slider						
★	P8001	28T55335F02	Power Cord						
■	P8001	28T43182P04	Power Cord						
▲	P8001	28T43182P04	Power Cord						
●	P8001	28T67434F01	Power Cord (12A)						
	VR4001	18T84123F01	Volume, RK9A00						
	S2001	40T71025F01	Switch, Detector						
	S2002	40T71025F01	Switch, Detector						
	S2003	40T71025F01	Switch, Detector						
	S3001	40T84005F01	Switch, Slide SSSU1 (TIMER)						
■	S8002	40T80258F02	Switch, Voltage Select						
▲	S8002	40T80258F02	Switch, Voltage Select						
●	T8001	25T84728F01	Trans., Power						
■	T8001	25T90690F01	Trans., Power						
▲	T8001	25T90690F01	Trans., Power						
★	T8001	25T90692F01	Trans., Power						

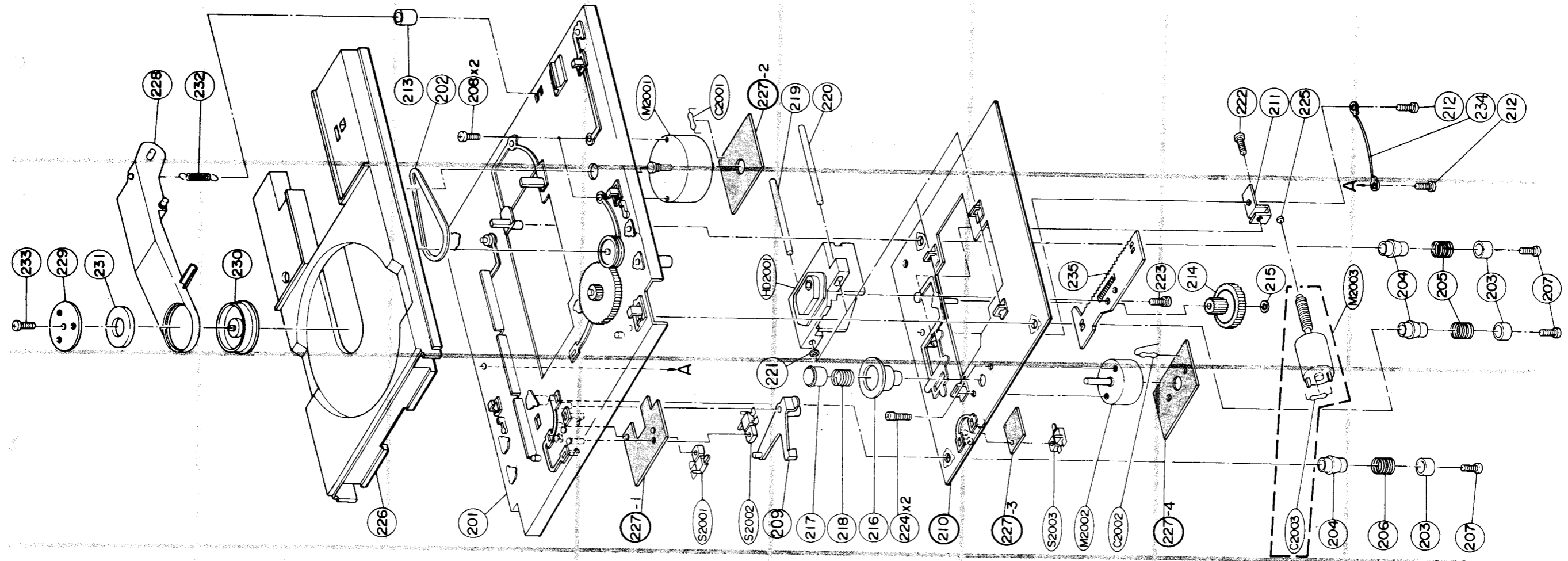
Notes: ● : Japanese model (D-115) only (JA), ■ : West German model (D-115) only (AD),  
▲ : West German model (D-01) only (AD), ★ : Canadian model (D-01) only (UQ), Others : Common.

## CD Mechanism Assembly Parts List

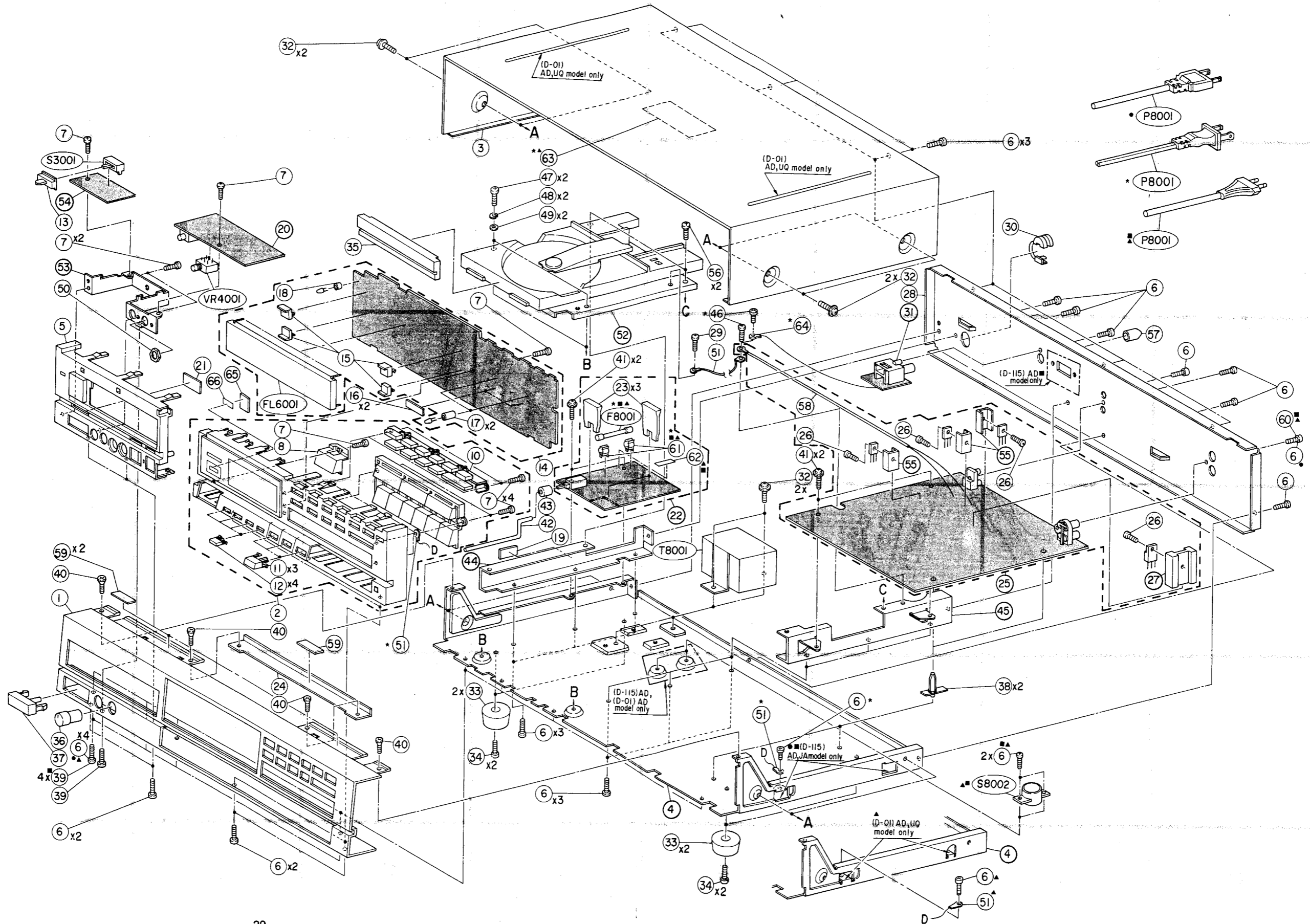
Symbol No.	Index	Part No.	Description			Symbol No.	Index	Part No.	Description		
201	4-C	01B82391F01	Assy., Main Chassis								
202	2-C	42A81427F01	Belt, Drive								
203		43A81407F01	Bush, Damper								
204		75A81411F01	Rubber, Damper								
205	3-H	41A81428F03	Spring, Compression								
206	4-H	41A81428F05	Spring, Compression								
207		03S40012G18	Screw, Tapping (M2.6 × 6)								
208	2-C	03D40014G19	Screw, W/Washer (M2.6 × 5)								
209	4-E	45A81434F01	Arm, Switch								
211	2-G	07A82322F01	Bracket, Washer								
212		03S44205G30	Screw, Pan (M2.6 × 4)								
213	2-C	37S40133J16	Tube UL (20mm)								
214	3-G	44A81401F01	Gear, Worm Wheel								
215	3-G	04A41345P02	Washer, Lock (M1.7)								
216	4-E	49B81414F01	Table, Disc								
217	4-E	49B81417F01	Disc, Guide								
218	4-E	41A81428F01	Spring, Compression								
219	2-E	47A81426F01	Shaft, Head								
220	2-E	47A81426F02	Shaft, Head								
221	4-E	04S40075G12	Washer, Polyslider (M3.1)								
222	2-G	03D40014G61	Screw, W/Washer (M2 × 5)								
223	3-G	03S70494F01	Screw, Bind (M2 × 5)								
224	4-E	03D40014G07	Screw, W/Washer (M2 × 4)								
225	2-G	43A41182P02	Ball Steel								
226	4-B	01C81529F01	Assy., Tray Disc								
228	2-A	45C81418F01	Arm, Clamp								
229	3-A	07A81413F01	Bracket, Magnet								
230	3-B	49A81403F01	Wheel, Clamp								
231	3-A	59T81430F01	Magnet								
232	2-A	41B81429F02	Spring, Extension								
233	3-A	03S68555F17	Screw, Bind (M2 × 4)								
234	2-H	01T92483F01	Assy., Lug Wire 1P								
235	3-F	01A82323F01	Assy., Rack								

NOTE: The parts without part numbers are not supplied.

# Exploded View (CD Mechanism)



# Exploded View (Cabinet)





# Cabinet Assembly Parts List

NOTE : The parts without part numbers are not supplied.

Symbol No.	Index	Part No.	Description	Symbol No.	Index	Part No.	Description
●	1	4-A 64D83886F04	Panel, Front		23	3-D 43T53136F01	Bush, Cap
■	1	4-A 64D83886F03	Panel, Front		24	5-B 07A84422F01	Bracket, Panel
▲	1	4-A 64D83886F07	Panel, Front		26	03S43997P76	Screw, Bind (M3 × 6)
★	1	4-A 64D83886F07	Panel, Front	●	28	2-F 15C83873F05	Cover, Rear
●	2	4-B 07C91019F01	Assy., Front Frame	■	28	2-F 15C83873F04	Cover, Rear
■	2	4-B 07C91019F01	Assy., Front Frame	▲	28	2-F 15C83873F10	Cover, Rear
▲	2	4-B 07C91021F01	Assy., Front Frame	★	28	2-F 15C83873F14	Cover, Rear
★	2	4-B 07C91021F01	Assy., Front Frame		29	3-E 03S44205G30	Screw, Pan (M2.6 × 4)
●	3	2-D 15C83872F01	Cover, Top		30	2-G 43B41625J02	Support, Cord
■	3	2-D 15C83872F01	Cover, Top		32	03S40036U01	Screw, Pan (M4 × 8)
▲	3	2-D 15C83872F03	Cover, Top	●	33	75A52969F01	Pad, Trannleg
★	3	2-D 15C83872F03	Cover, Top	■	33	75A52969F01	Pad, Trannleg
●	5	3-A 07D83863F04	Frame, Front	▲	33	75T57059F01	Pad, Trannleg
■	5	3-A 07D83863F04	Frame, Front	★	33	75T57059F01	Pad, Trannleg
▲	5	3-A 07D83863F06	Frame, Front		34	03S44205G20	Screw, Pan (M4 × 12)
★	5	3-A 07D83863F06	Frame, Front	●	35	2-C 64B83869F04	Panel, Tray
	6	03S71031F04	Screw, Bind (M3 × 8)	▲	35	2-C 64B83869F03	Panel, Tray
	7	03S71031F02	Screw, Bind (M2.6 × 8)	■	35	2-C 64B83869F04	Panel, Tray
●	8	3-B 36B83866F01	Knob, Eject	★	35	2-C 64B83869F03	Panel, Tray
■	8	3-B 36B83866F01	Knob, Eject	●	36	5-A 36A55234F04	Knob, Control
▲	8	3-B 36B83866F02	Knob, Eject	■	36	5-A 36A55234F04	Knob Control
★	8	3-B 36B83866F02	Knob, Eject	▲	36	5-A 36A55234F05	Knob, Control
●	10	3-D 36B83864F02	Knob, Ten Key	★	36	5-A 36A55234F05	Knob, Control
■	10	3-D 36B83864F02	Knob, Ten Key	●	37	5-A 36A83870F01	Knob, Power
▲	10	3-D 36B83864F03	Knob, Ten Key	■	37	5-A 36A83870F01	Knob, Power
★	10	3-D 36B83864F03	Knob, Ten Key	▲	37	5-A 36A83870F02	Knob Power
●	11	4-B 36A83868F01	Knob, Tact (L)	★	37	5-A 36A83870F02	Knob, Power
■	11	4-B 36A83868F01	Knob, Tact (L)		38	5-G 07A91046F01	Support, P. C. Board
▲	11	4-B 36A83868F02	Knob, Tact (L)		39	03S82672F18	Screw, Bind (M3 × 6)
★	11	4-B 36A83868F02	Knob, Tact (L)		40	03S40012G98	Screw, Tapping (M3 × 8)
●	12	4-B 36A83867F01	Knob, Tact (S)		41	03S40018G08	Screw, Tapping (M3 × 8)
■	12	4-B 36A83867F01	Knob, Tact (S)		42	4-D 47A83883F01	Shaft, Power
▲	12	4-B 36A83867F02	Knob, Tact (S)		43	4-D 43A83885F01	Spacer, Rubber
★	12	4-B 36A83867F02	Knob, Tact (S)		46	2-E 03S40012G48	Screw, Tapping (M3 × 6)
●	13	2-A 36A80166F01	Knob, Timer Switch		47	2-D 03A83946F01	Screw, Special (M3 × 35)
■	13	2-A 36A80166F01	Knob, Timer Switch		48	2-D 04S40071G14	Washer Spring Lock (M4.1)
▲	13	2-A 36A80166F02	Knob, Timer Switch		49	2-D 04S40070G59	Washer Flat (M4.1)
★	13	2-A 36A80166F02	Knob, Timer Switch		50	2-A 02S40000G39	Nut, He× (M7)
	14	3-D 01V84500F25	Assy., FL/ Keyboard P. C. Board		51	01T84733F11	Assy., Lug Wire
	15	3-C 07A83876F01	Support, FL		56	2-E 03S40018G06	Screw, Tapping (M3 × 16)
	16	3-C 14S81481F57	Insulator, Cover				
	17	3-D 43A53357F04	Spacer, LED				
	18	2-B 43A53357F01	Spacer, LED (A)				
	19	4-D 14S81481F56	Insulator, Cover				
	21	3-B 14S81481F71	Insulator, Cover				

Notes : ● : Japanese model (D-115) only (JA), ■ : West German model (D-115) only (AD),  
▲ : West German model (D-01) only (AD), ★ : Canadian model (D-01) only (UQ), Others : Common.

NOTE: The parts without part numbers are not supplied.

Symbol No.	Index	Part No.	Description			Symbol No.	Index	Part No.	Description		
	57	3-H	16T82537F01	Cap., Pin Jack							
	58	3-E	01T84733F12	Assy., Lug Wire							
	59		14S53017F64	Insulator, Cover							
■	60	3-H	03S82672F20	Screw, Bind (M3 × 8)							
▲	60	3-H	03S82672F20	Screw, Bind (M3 × 8)							
■	61	3-E	09T51410F01	Holder, Fuse							
★	61	3-E	09T51410F01	Holder, Fuse							
▲	61	3-E	09T51410F01	Holder, Fuse							
■	62	3-E	54B62266F16	Label, Fuse (2A-250V)							
▲	62	3-E	54B62266F16	Label, Fuse (2A-250V)							
▲	63	2-D	14S81482F59	Insulator, Cover							
★	63	2-D	14S81482F59	Insulator, Cover							
★	64	3-E	01T92973F01	Assy, Lug Wire (1P)							
	65	3-B	65A92731F01	Crystal, Lens							
	66	3-B	14S81481F93	Insulator, Cover							

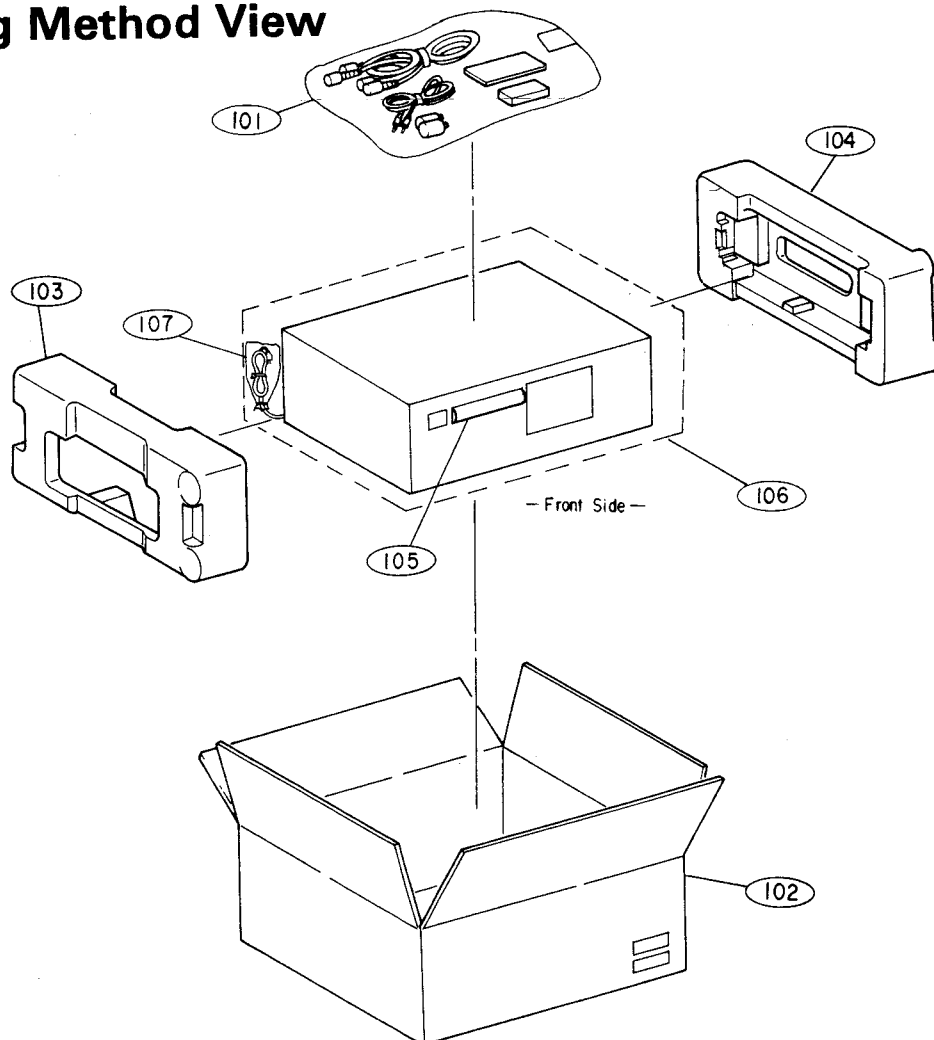
Notes: ●: Japanese model (D-115) only (JA), ■: West German model (D-115) only (AD),  
▲: West German model (D-01) only (AD), ★: Canadian model (D-01) only (UQ), Others: Common.

## Packing Assembly Parts List

Symbol No.	Part No.	Description	Symbol No.	Part No.	Description
■	101-1	68P81707F76 Owners Manual	▲	101-4	01T80478F02 Unit, Remocon (RD109)
▲	101-1	68P83710F07 Owners Manual	★	101-4	01T80478F02 Unit, Remocon (RD109)
●	101-1	68P81707F81 Owners Manual		101-5	60T58064F01 Battery, SUM-3
★	101-1	68P83710F07 Owners Manual	●	102	56S83833F09 Carton, Packing
●	101-2	28T70621F03 Plug, Output	■	102	56S83833F11 Carton, Packing
▲	101-2	28T67347F01 Plug, Audio Cable	▲	102	56S83833F13 Carton, Packing
★	101-2	28T67347F01 Plug, Audio Cable	★	102	56S83833F13 Carton, Packing
	101-3	01T82091F01 Assy., Mini Plug Cord		103	56D90648F01 Tray, Packing
●	101-4	01T80478F01 Unit, Remocon (RD109)		104	56D90649F01 Tray, Packing
■	101-4	01T80478F02 Unit, Remocon (RD109)		105	56B40442T19 Packing, Front Frame
				106	56B40230G23 Sack, Polyethylene
				107	56B40230G08 Sack, Polyethylene
				108	56A93246F01 Pad, Packing

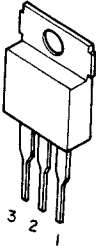
Notes: ●: Japanese model (D-115) only (JA), ■: West German model (D-115) only (AD),  
▲: West German model (D-01) only (AD), ★: Canadian model (D-01) only (UQ), Others: Common.

## Packing Method View

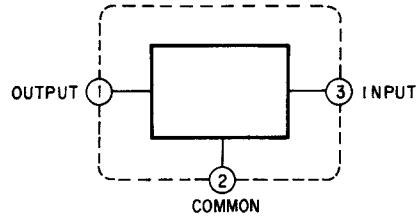


# Semi-Conductor Lead Identifications

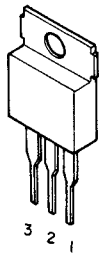
NJM7805 : IC1101



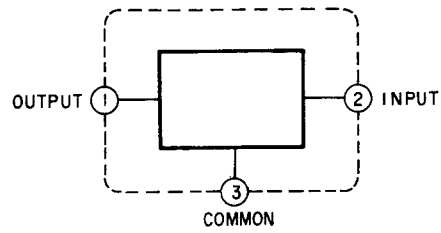
1: OUTPUT  
2: COMMON  
3: INPUT



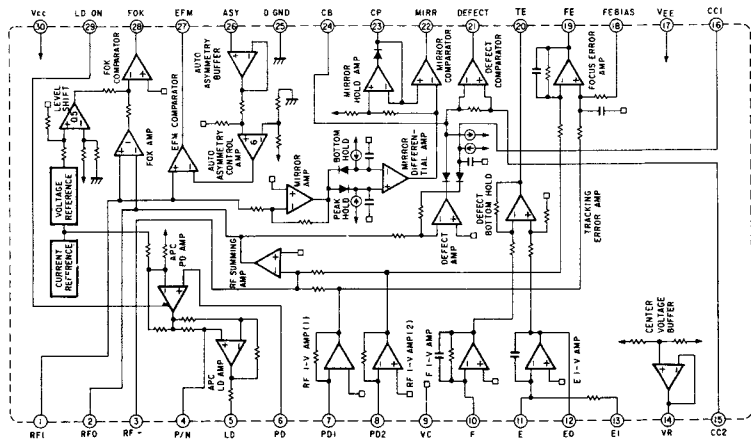
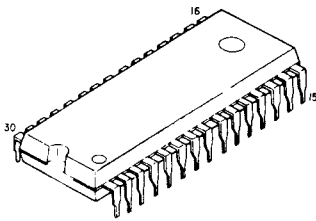
NJM7905 : IC1102



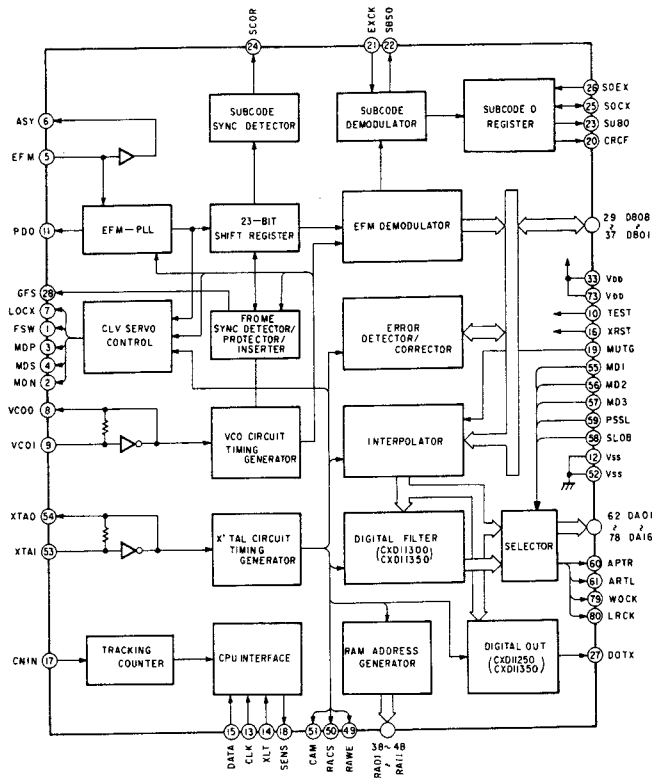
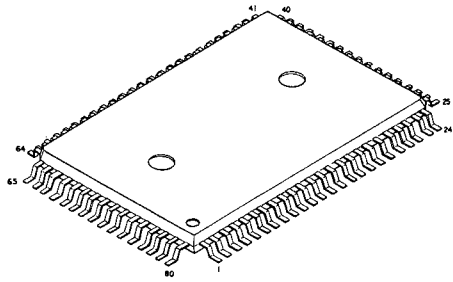
1: OUTPUT  
2: INPUT  
3: COMMON



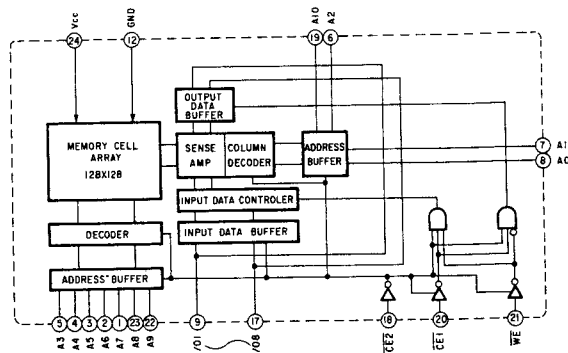
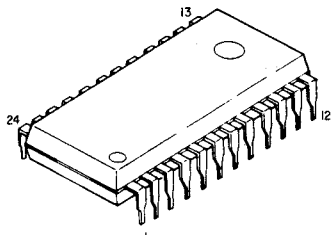
CXA1081S : IC1201



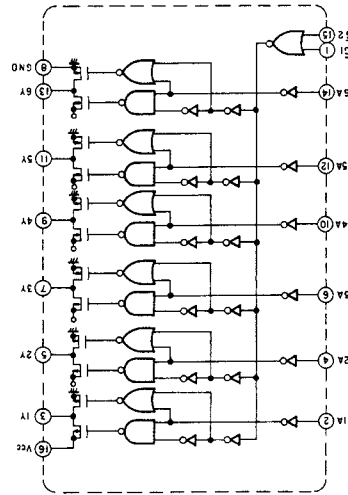
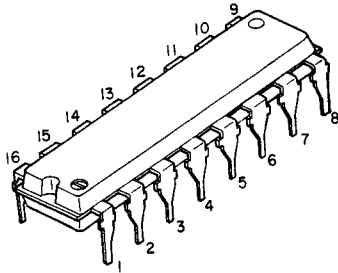
CXD1135QZ : IC1202



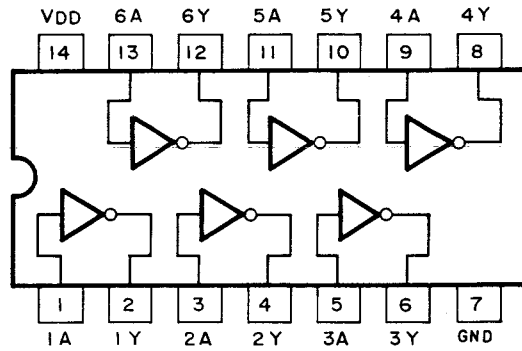
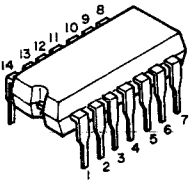
LC3516AS15 : IC1203



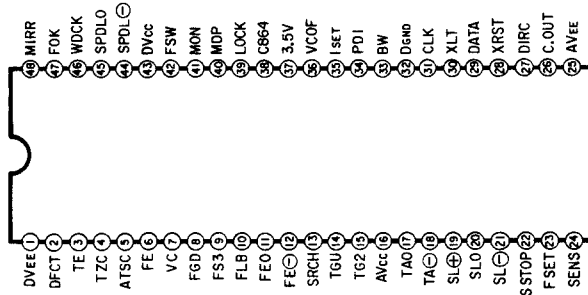
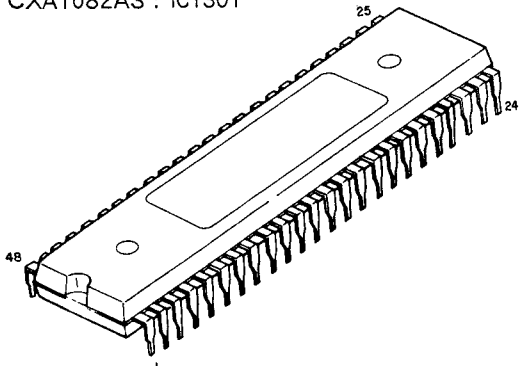
HD74HC366P : IC1205 ●★



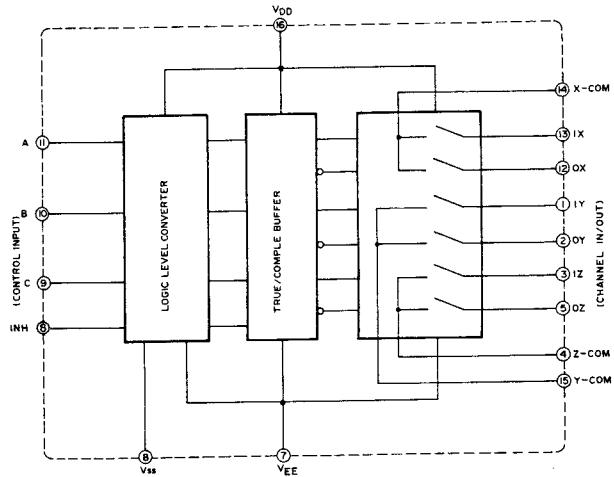
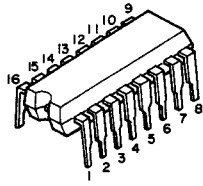
TC74HCU04P : IC1205 ■▲



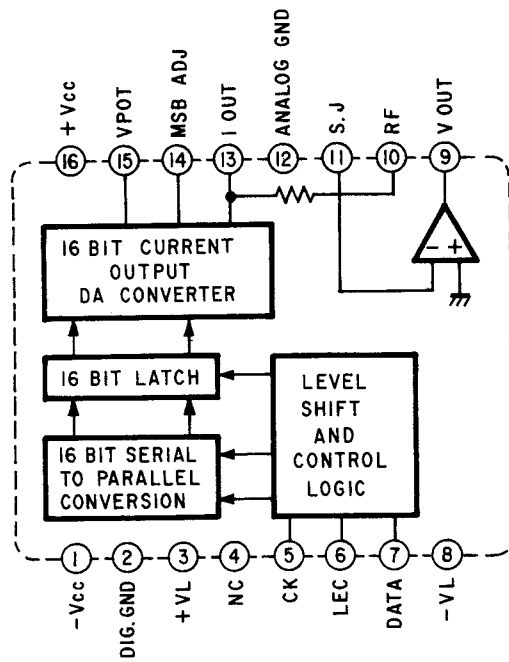
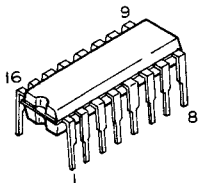
CXA1082AS : IC1301



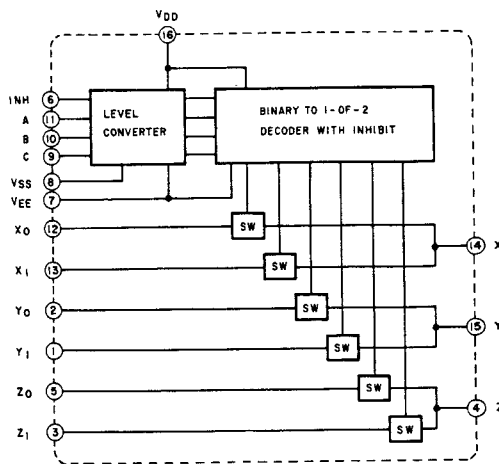
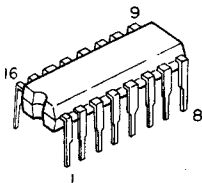
TC4053BP : IC1302



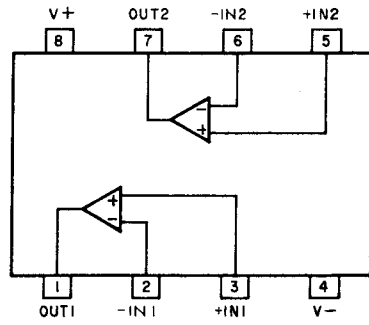
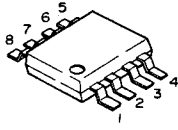
PCM56JP : IC1401



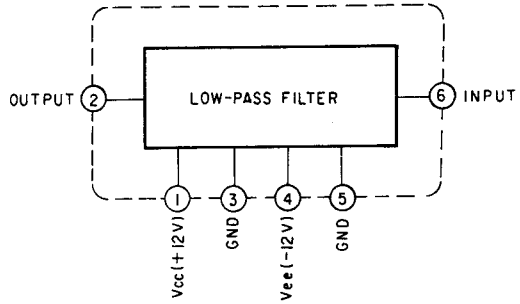
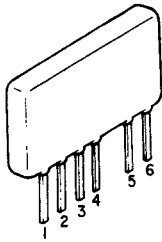
$\mu$  PD4053BC : IC1402



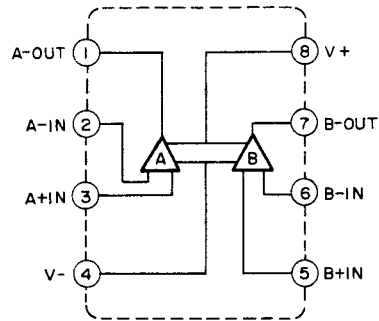
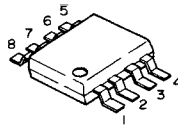
M5238P : IC1403, 1407, 1408



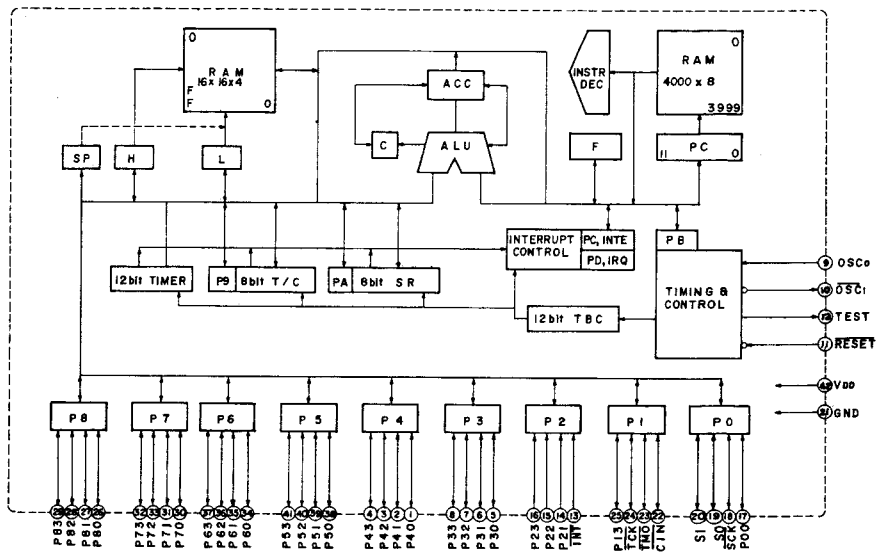
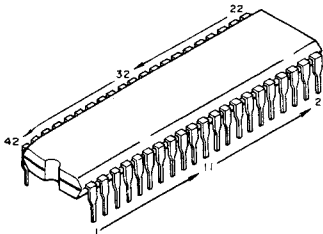
LP20D5B3TS : IC405, 1406



NJM2903D : IC1501

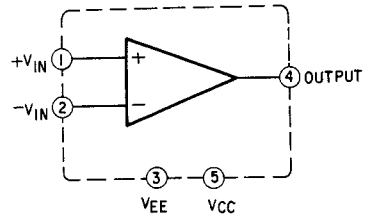
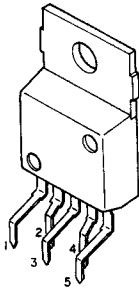


MSM6404A : IC1502

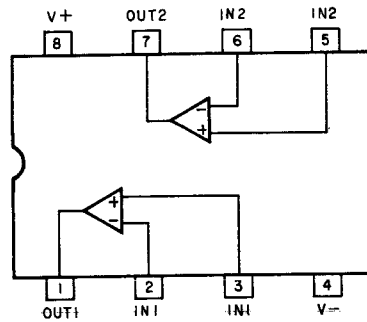
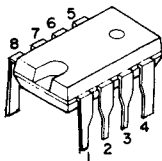




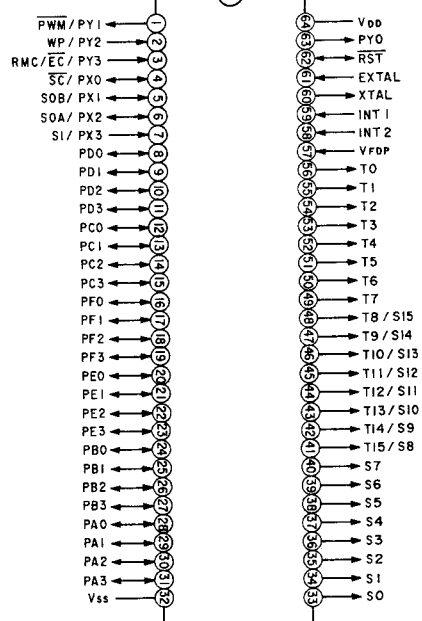
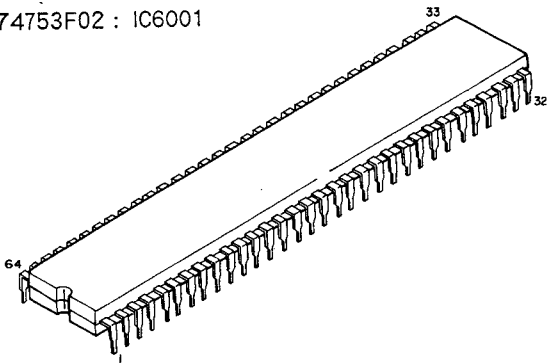
LA6500 : IC1503



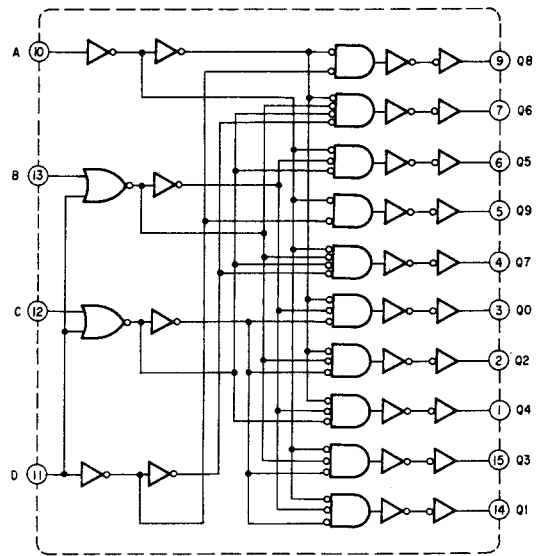
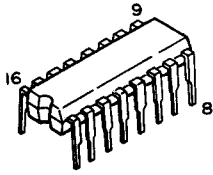
M5216P : IC4001



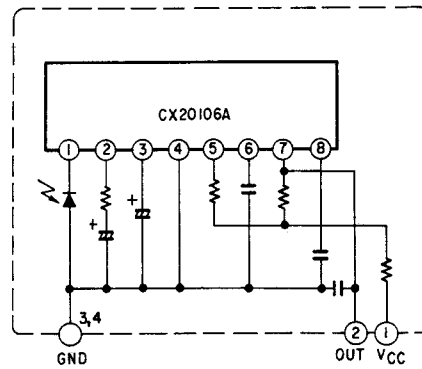
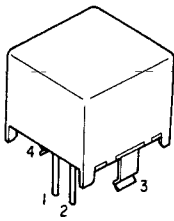
74753F02 : IC6001



μ PD4028BC : IC6002



BX1387 : IC6003



2SA1015 : Q1101, 1104, 1506

2SC1815 : Q1102, 1103

2SD1302 : Q1507

