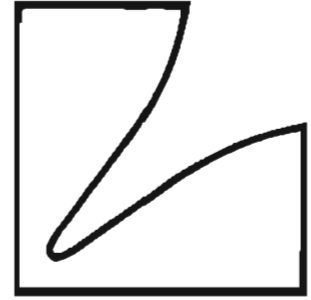


SERVICE MANUAL

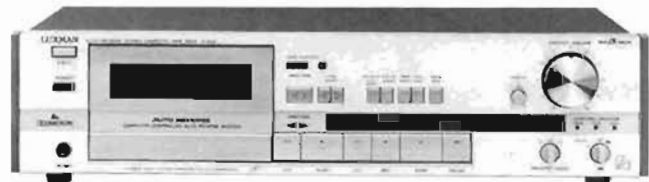


Auto Reverse Stereo Cassette Tape Deck

K-105/K-405



K-105



K-405

Contents

Specifications	2
Parts Locations and Disassembly Instructions	3 to 5
Adjustment Procedures	6 to 9
Adjustment Locations	10 to 11
Block Diagram	12
Replacement of Mechanical Parts	13 to 14
Parts Layout on P.C. Board	15 to 20
Wiring Diagram	21 to 22
Schematic Diagram	23 to 28
Electrical Parts List	29 to 38
Cabinet Assembly Parts List	39 to 40
Exploded View (Cabinet)	41 to 42
Exploded View (Cassette Deck)	43 to 44
Cassette Deck Assembly Parts List	45
Packing Method View	46
Packing Assembly Parts List	47
Parts List by Specific Countries	48
Semi-Conductor Lead Identifications	49 to 52

Specifications

Input Voltage	100V (50/60 Hz AC) (JA model only) 120V (60 Hz AC) (UC, UQ, UZ model only) 220V (50 Hz AC) (SK model only)
Input Power	18W
Tape Speed	4.76 cm/sec ±1.5%
Wow and Flutter (JIS WTD Playback)	±0.09%
FF/REW Time (C-60)	120 sec
Frequency Response	Metal: 30 Hz ~ 18 kHz
Rec/Play Head	HEXALAM Permalloy Core
Erase Head	Double Gaps Ferrite Core
S/N Ratio:	
NR-Off	50 dB
NR-B	58 dB
NR-C	63 dB
Distortion	2.5%
Stereo Separation	35 dB
Headphone Output	65 dB (8 ohms load)
Semiconductors	15 IC's, 100 Transistors, 45 Diodes, 10 Zener Diodes
Dimensions	438(W) x 307(D) x 114(H) mm
Weight	4.5 kg

Parts Locations and Disassembly Instructions

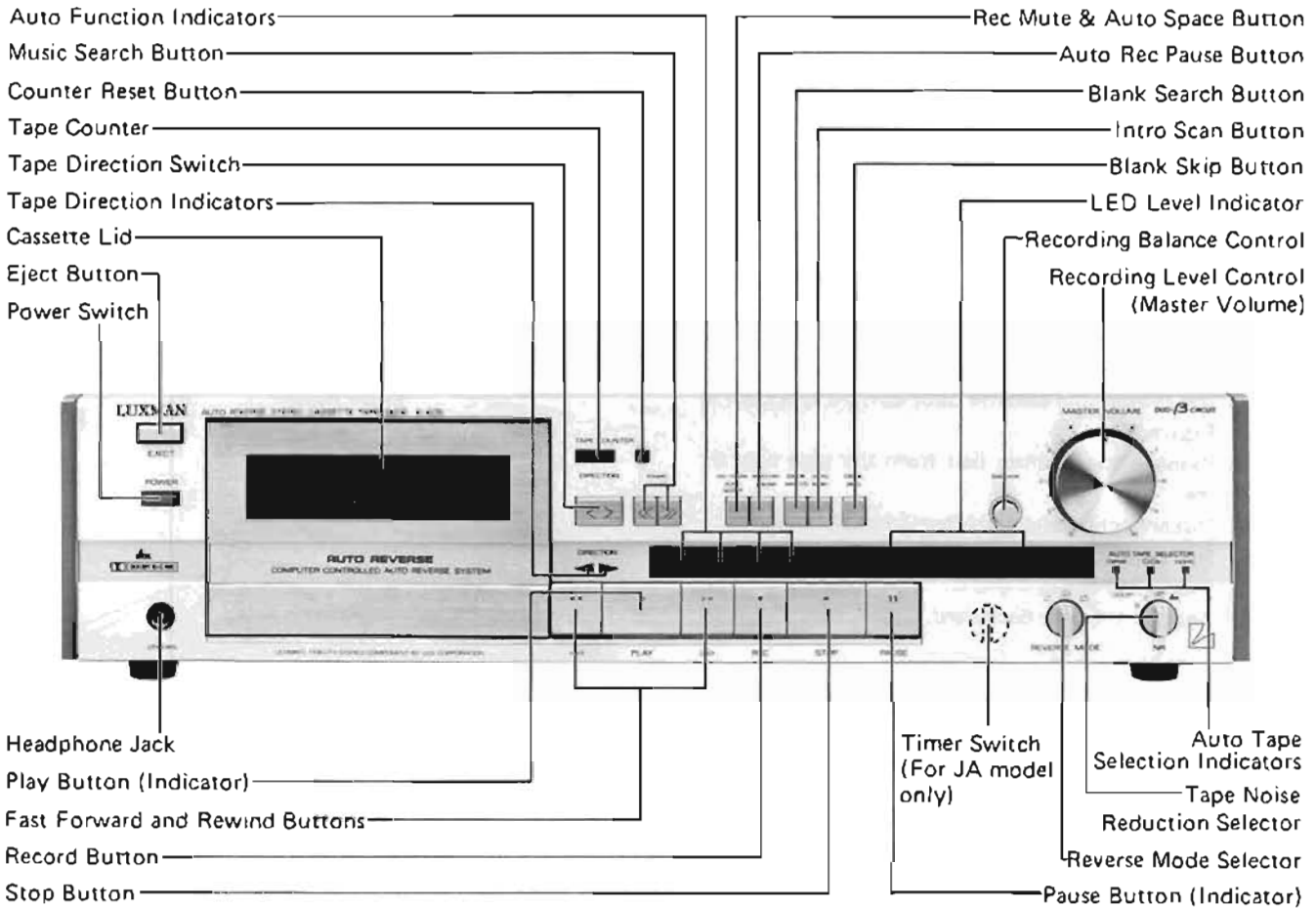


Figure 1

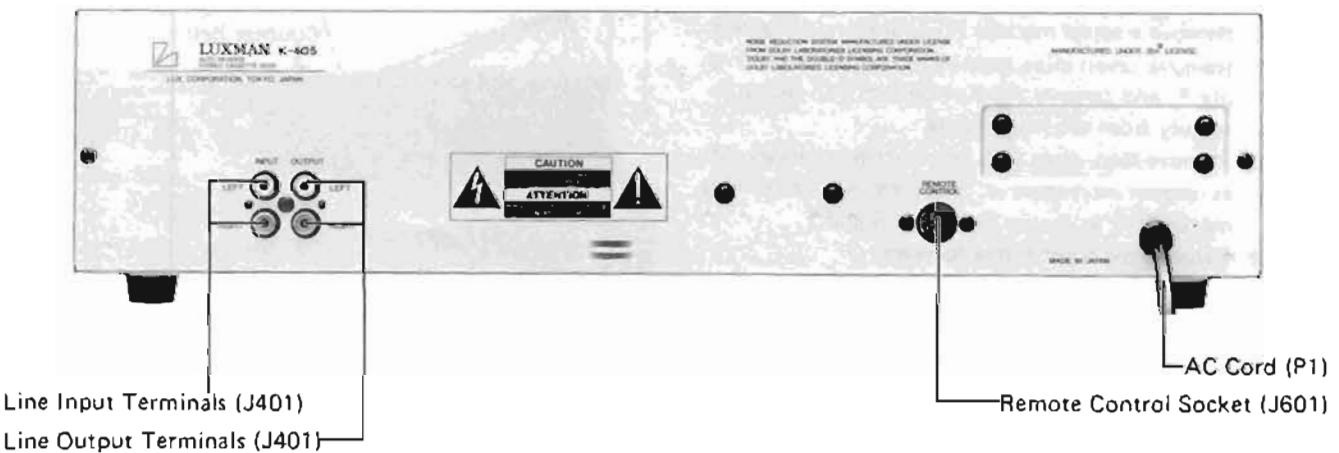


Figure 2

1. Removal of Top Cover

- (1) Remove seven screws marked (A) as shown in Figures 3 and 4.
- (2) Remove the Top Cover backward.

2. Removal of Front Panel

- (1) Remove the Top Cover.
- (2) Remove five screws marked (C) as shown in Figure 4.
- (3) Remove three clips marked (F) as shown in Figure 5.
- (4) Remove the Front Panel forward.

3. Removal of Cassette Deck Unit

- (1) Remove the Top Cover.
- (2) Push the Eject knob to open the cassette door and remove the cassette door upward as shown in Figure 3.
- (3) Remove the counter belt from the tape counter reel.
- (4) Disconnect seven connectors from the unit.
- (5) Remove four screws marked (D) and (G) as shown in Figures 4 and 6.
- (6) Remove the unit backward.

4. Removal of Front Frame

- (1) Remove the cassette deck unit and the front panel.
- (2) Remove four knobs marked (H) as shown in Figure 3.
- (3) Remove two screws marked (I) as shown in Figure 5, and remove the power switch from the front frame.
- (4) Remove a nut marked (J) as shown in Figure 7, and remove the Headphone P.C. Board assembly from the front frame.
- (5) Remove two nuts and two washers marked (K) as shown in Figure 7, and remove the Volume P.C. Board assembly from the front frame.
- (6) Remove a screw marked (T) as shown in Figure 5.
- (7) Remove seven clips marked (L) as shown in Figure 5, and remove the Key Switch P.C. Board assembly from the front frame.
- (8) Remove two nuts and two washers marked (M) as shown in Figure 7, and remove five screws marked (N) as shown in Figures 6 and 7.
- (9) Remove the front frame forward.

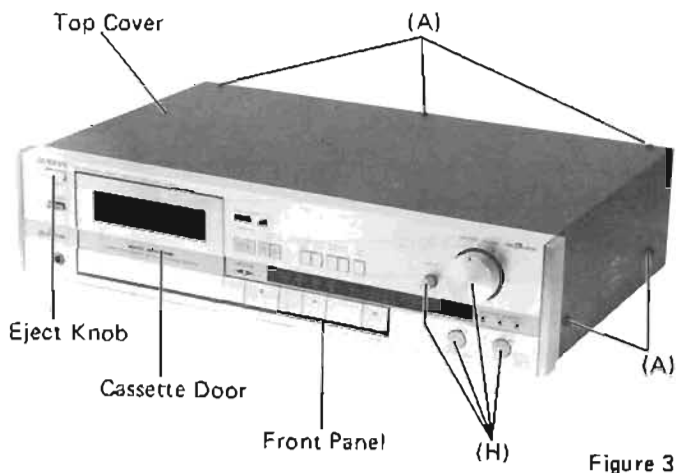


Figure 3

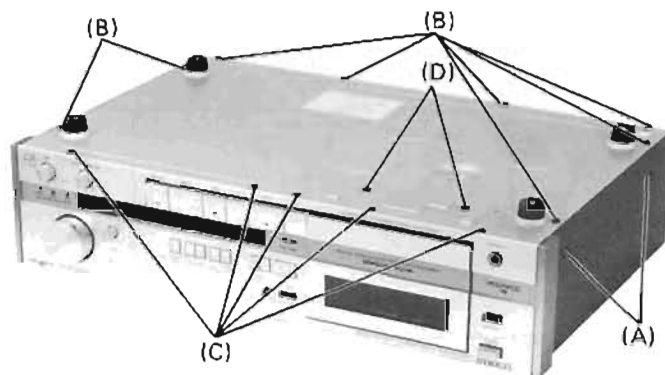


Figure 4

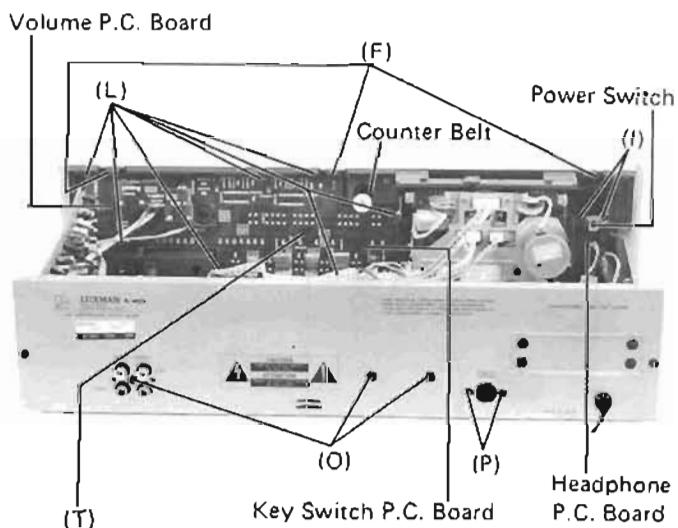


Figure 5

5. Removal of Master P.C. Board Assembly

- (1) Remove the front frame.
- (2) Remove five screws marked (E) and (O) as shown in Figures 5 and 6.
- (3) Remove two rivets marked (P) as shown in Figure 5.
- (4) (For Models contains dbx system only) Remove two hooks marked (Q) as shown in Figure 6.
- (5) Disconnect a connector from the Power trans. to Master P.C. Board.
- (6) Remove the unit from the chassis.

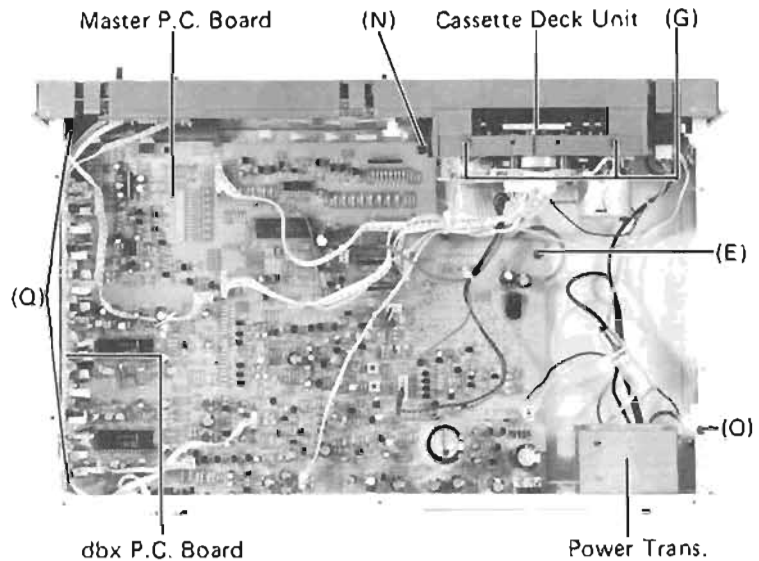


Figure 6

6. Removal of Headphone P.C. Board Assembly

- (1) Remove the Front Frame.
- (2) Remove a connector from the P.C. Board.

7. Removal of Volume P.C. Board Assembly

- (1) Remove the Front Frame.
- (2) Remove two connectors from the P.C. Board.

8. Removal of Key Switch P.C. Board Assembly

- (1) Remove the Front Frame.
- (2) Remove two connectors from the P.C. Board.
- (3) Disconnect five flexible P.C. Board wires marked (R) as shown in Figure 8.

9. (For Model contains dbx system)

Removal of dbx P.C. Board Assembly

- (1) Remove the Master P.C. Board Assembly.
- (2) Disconnect three pin connectors marked (S) as shown in Figure 8.

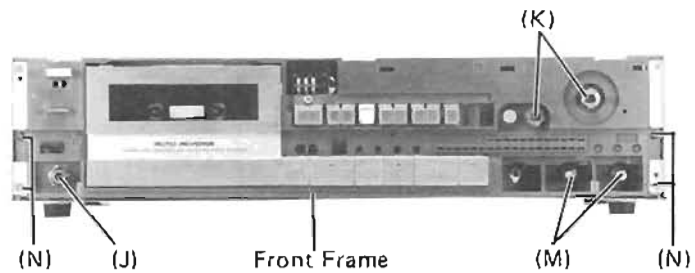


Figure 7

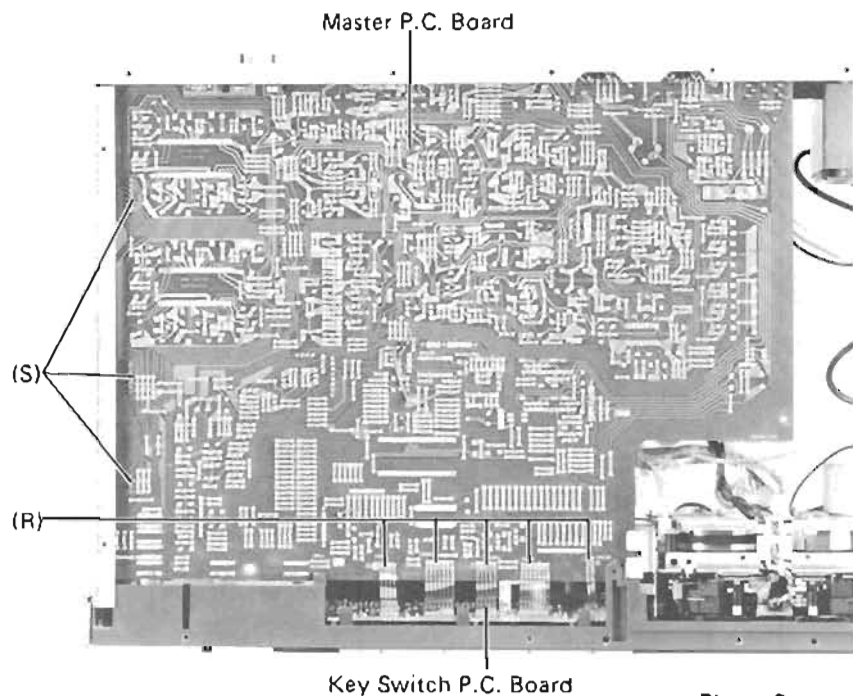


Figure 8

Adjustment Procedures

* dbx Level Adjustment UC and UQ Model Only

Step	Description	Mode	Adjust Point	Test Point	Connection Instruction	Remarks	
1	Head Azimuth Adjustment	Play NR: Off	Head Azimuth Screw (Figure 10)	Line Out	Figure 9	Test Tape: MTT-114 Adjust to Maximum and same phase at Normal and Reverse Positions	
2	Tape Speed Adjustment	Play NR: Off	Round hole on the rear of the motor (Figure 17)	Line Out	Figure 9	Test Tape: MTT-111 Adjust to 3005 ~ 3015 at test tape center position of Normal direction	
3	Playback Gain Adjustment	Play NR: Off	VR201(L) VR202(R)	Line Out	Figure 9	Test Tape: MTT-150 Line Out: 560mV	
4	Quick Reverse Adjustment	Play Reverse Mode: oneway (↔) Direction: Normal NR: Off	VR602	TP601	Figure 12	Test Tape: Blank Test Point Output: 2.0V	
5	Input Level Adjustment	Rec/Play NR: Off	VR431(L) VR432(R)	Line Out	Figure 11	Test Tape: AC-712 Line Input: 400 Hz, 150mV Line Output: 560mV	
6	Level Meter Adjustment	Rec/Pause NR: Off	VR8101(L) VR8102(R)	Level Meter	Figure 11	Conditions at step 5. Test Tape: Blank Adjust just to turn off 2nd red LED	
7	Bias Frequency Adjustment	Rec/Play NR: Off	T501	TP503	Figure 13	Test Tape: AC-712 Adjust to 105 kHz	
8	Bias Trap Adjustment	Rec/Play NR: Off	LF501(L) LF502(R)	TP501(L) TP502(R)	Figure 16	Test Tape: AC-712 Adjust to minimum amplitude	
9	Record/Playback Level Bias Adjustment	Rec/Play NR: Off	VR501(L) VR502(R)	Line Out	Figure 14	Conditions at step 5. Test Tape: AC712 Adjust distortion to 1.2 m 1.6%	
10	Record/Playback Frequency Response Adjustment	Rec/Play NR: Off		Line Out	Figure 11	Conditions at step 5. Adjust AF OSC LEVEL to -25 dB of LINE OUT output. Adjust to 0 dB output with AF OSC frequency 400 Hz and 12.5 kHz at each tape position.	
			VR503, 504			AC712	METAL
			VR553			AC512	CrO ₂
			VR555			AC223	NORMAL
11	dbx Level Adjustment	STOP NR: dbx	VR3001(DEC) VR3101(ENC)		Figure 15	Adjust to 15mV DC.	

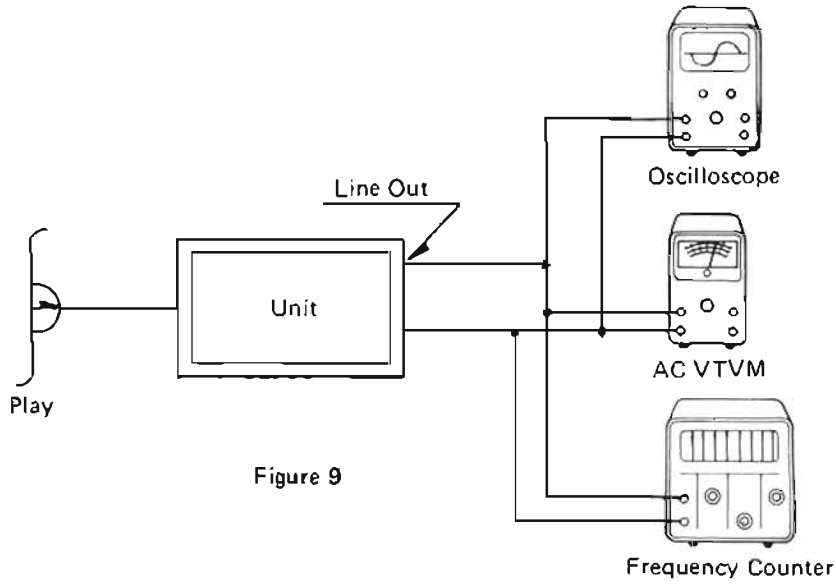


Figure 9

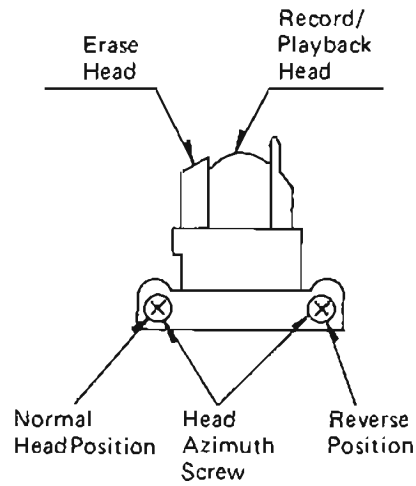


Figure 10

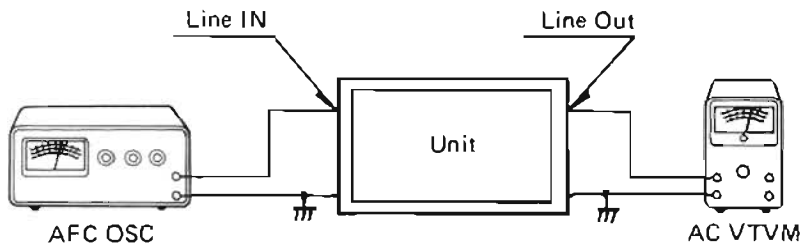


Figure 11

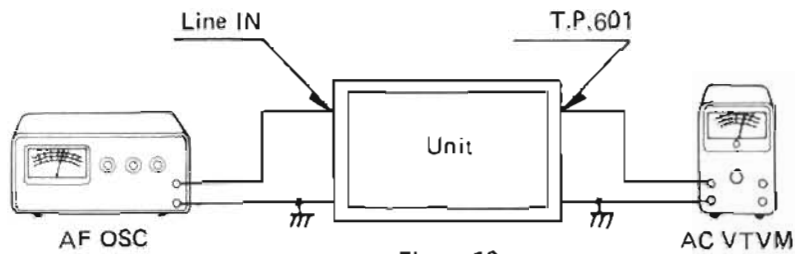


Figure 12

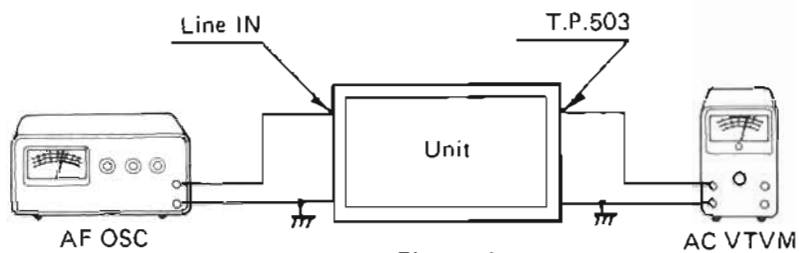


Figure 13

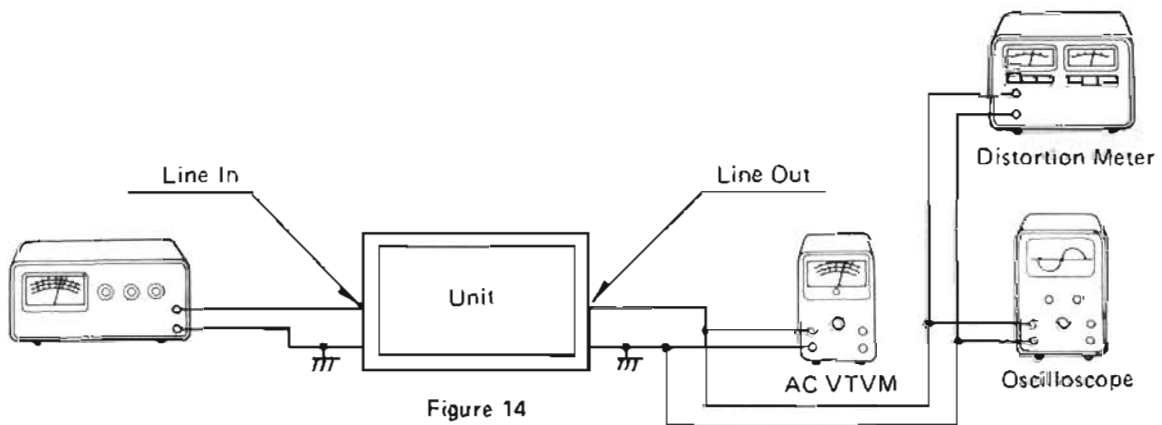


Figure 14

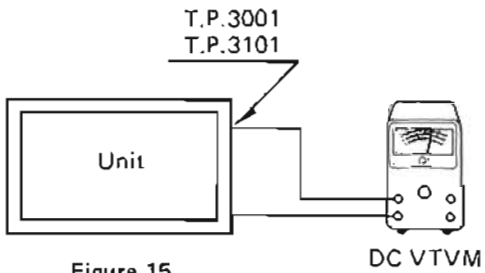
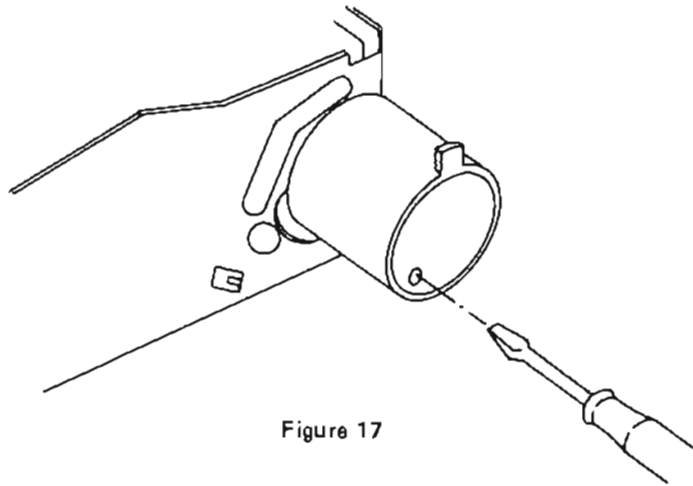
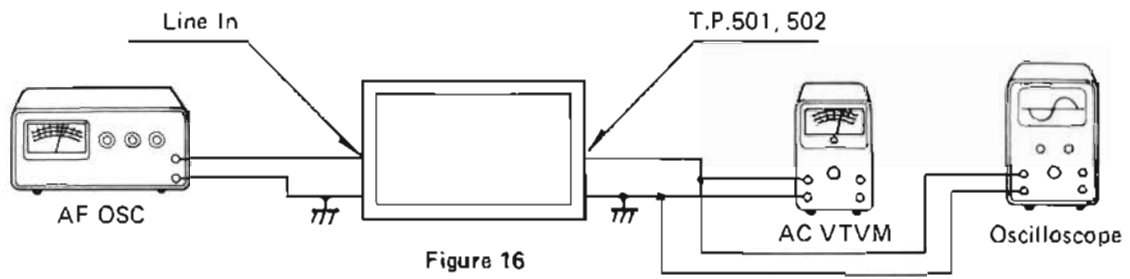
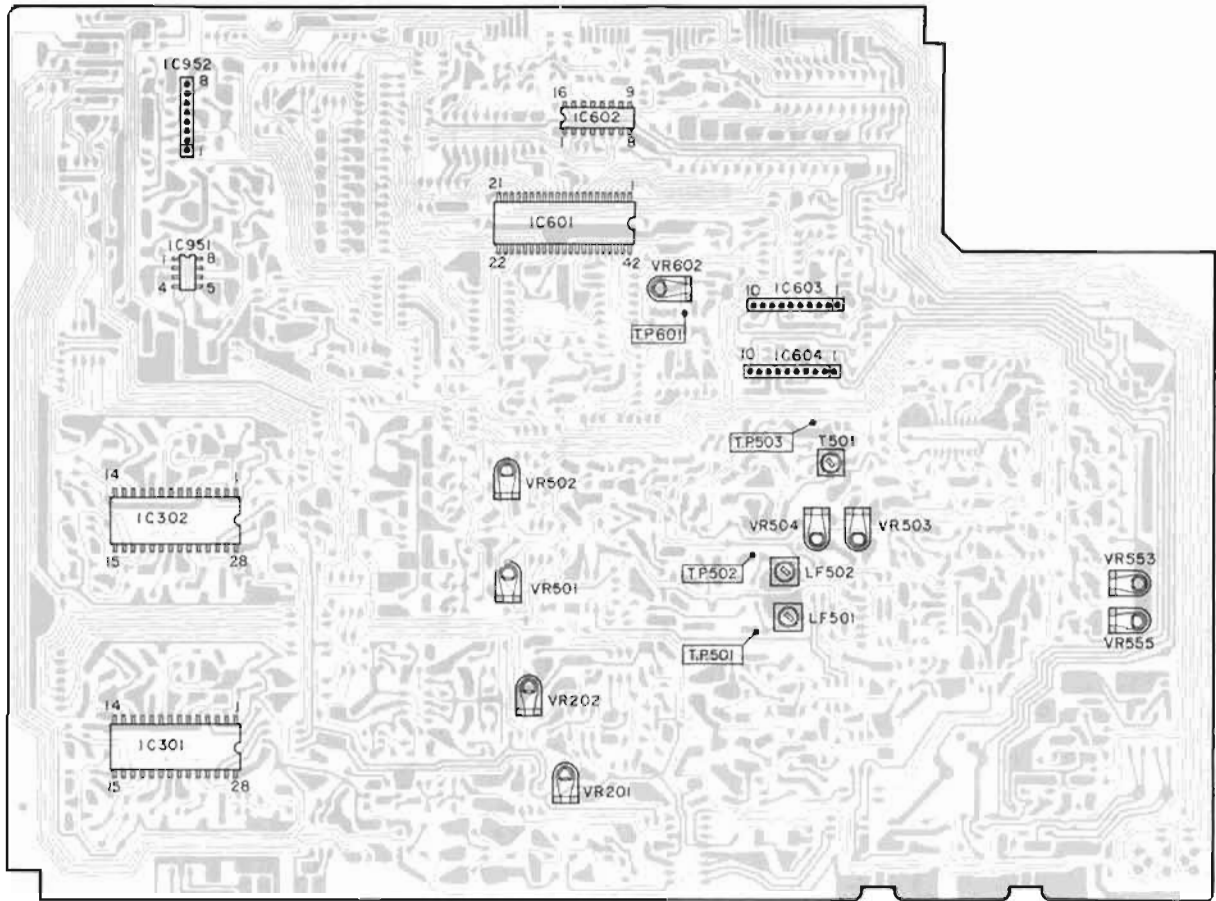


Figure 15

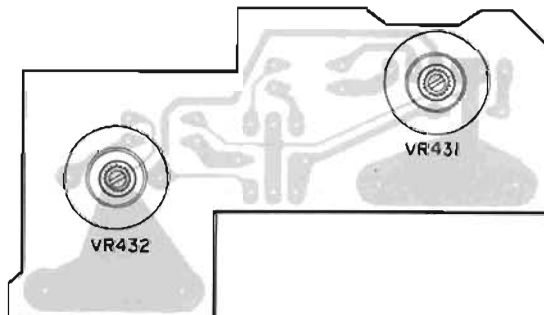


Adjustment Locations

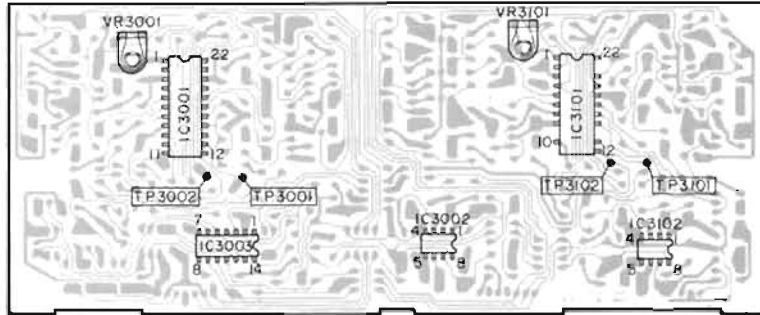
- Master P.C. Board



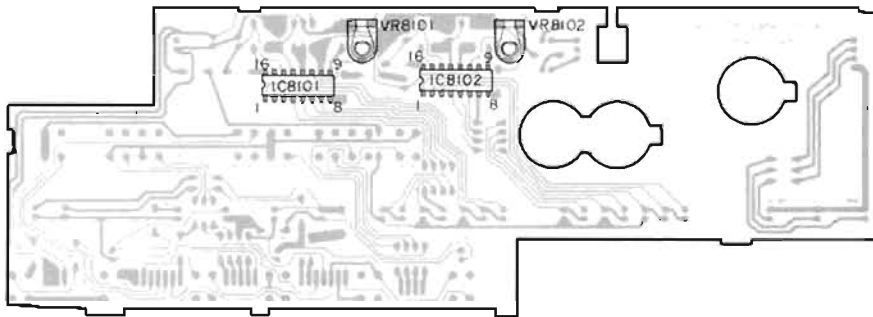
- Volume P.C. Board



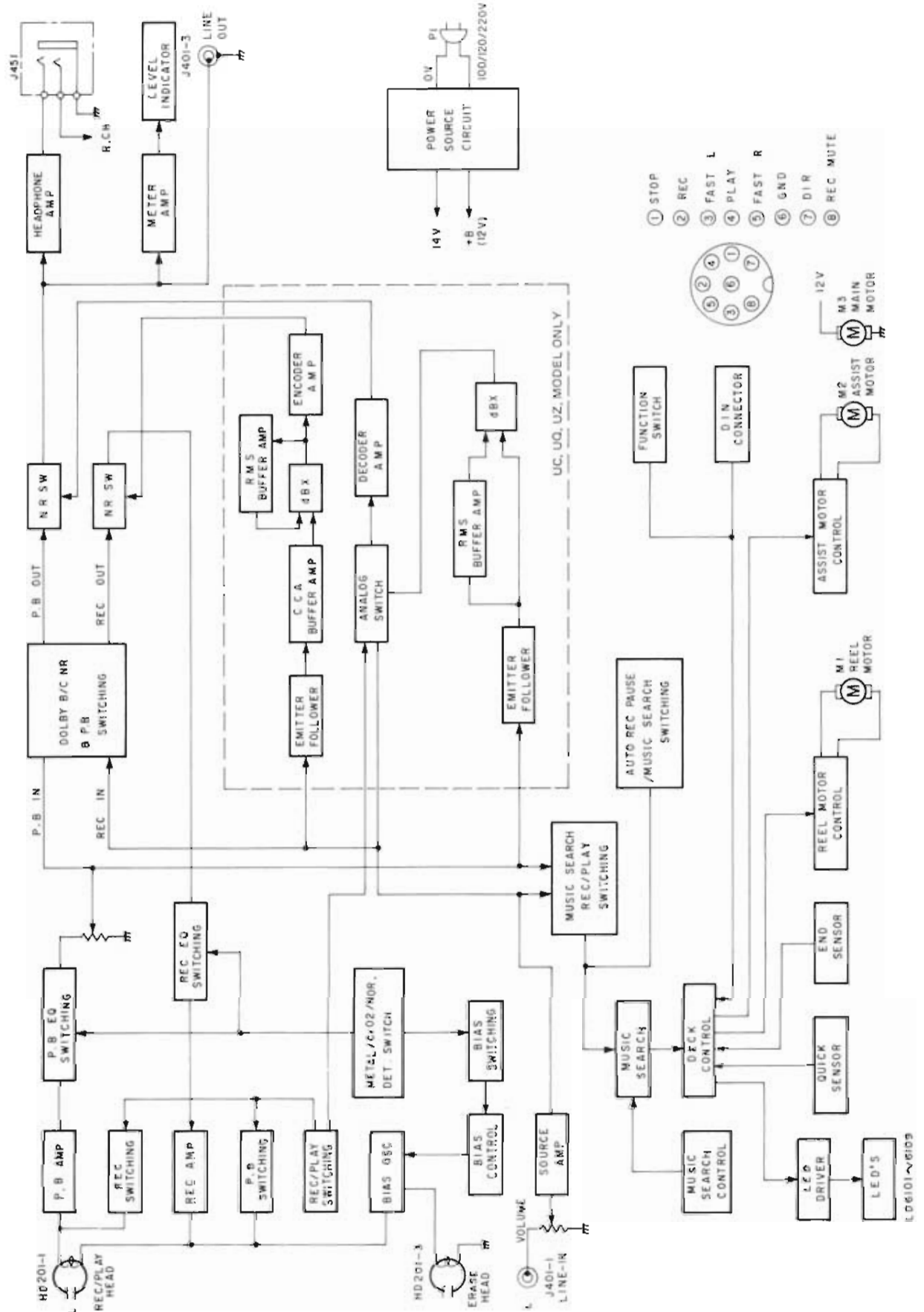
- dbx P.C. Board



- Key Switch P.C. Board



Block Diagram



Replacement of Mechanical Parts

Replacement of Mechanical Parts

• Removal of Cassette Deck Assembly

Prior to Replacement Procedures, remove the Cassette Deck Assembly, according to "Removal of Cassette Deck Assembly" on page 4.

1. Preparation for Replacement of Pinch Rollers and Turning Head

(1) Remove two screws marked "●" as shown in Figure 18, and Dumper Bracket and Door Frame can be removed.

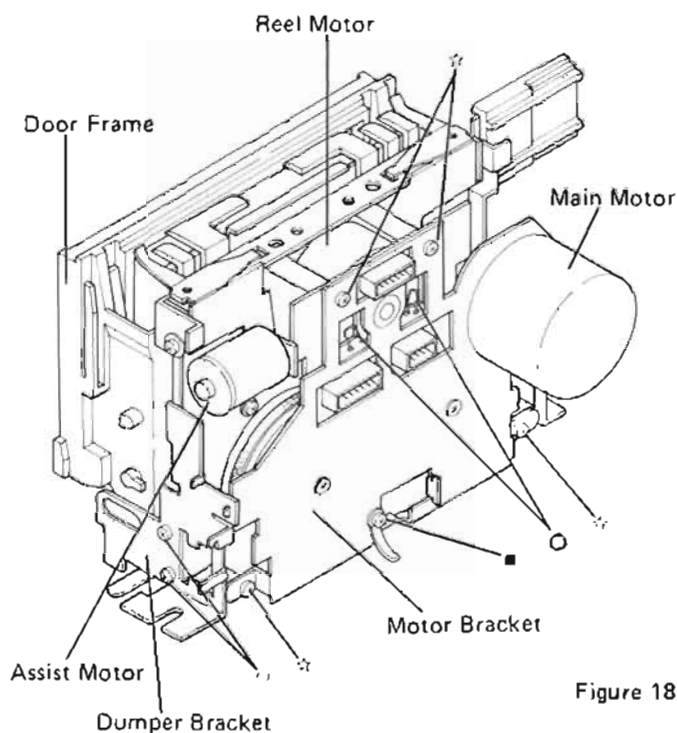


Figure 18

1-1. Replacement of Pinch Roller (L) (and Pinch Roller (R))

(1) Remove "E" Ring marked "●" (and "△") as shown in Figure 19, and Pinch Roller (L) (and (R)) can be removed.

(2) Replace the Pinch Roller (L) (and (R)) with a new one, and clean it with absolute alcohol.

(3) Assemble the unit in the way reverse to disassembly, and confirm wow/flutter and tape speed according to "Adjustment Procedures".

1-2. Replacement of Turning Head

(1) Remove two nuts marked "▲" as shown in Figure 19, and remove sensor and tape guide.

(2) Remove two screws marked "□" as shown in Figure 19, and one screw marked "■" as shown in Figure 18.

(3) Replace the turning head with a new one and clean it with absolute alcohol, and assemble the unit in the way reverse to disassembly.

(4) Confirm the position of tape guide and sensor, and adjust Head Azimuth, "Adjustment Procedures".

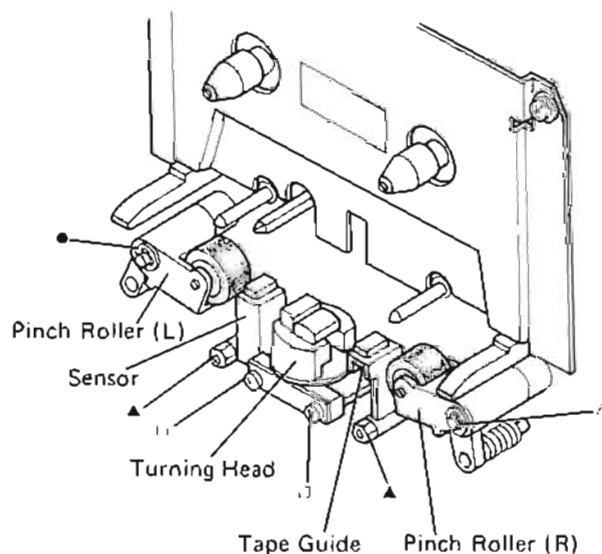


Figure 19

2. Preparation for Replacement of Motors, Main Belt and Flywheels

(1) Remove four screws marked "☆" and one screw marked "■" as shown in Figure 18.

(2) Motor Bracket and Connector P.C. Board can be removed as shown in Figure 20.

• After assembly of the unit with any replacement, tape speed and wow/flutter must be confirmed with "Adjustment Procedures".

2-1. Replacement of Main Motor.

- (1) Remove two screws marked "★" as shown in Figure 20, and disconnect two lead wires of Main Motor.
- (2) Replace the Main Motor with a new one, and assemble the unit in the way reverse to disassembly.

2-2. Replacement of Reel Motor

- (1) Remove two solders marked "⊙" as shown in Figure 18, and replace the reel motor with a new one.
- (2) Assemble the unit in the way reverse to disassembly.

2-3. Replacement of Assist Motor

- (1) Remove a screw marked "☒" as shown in Figure 20, and Assist Motor Bracket will be removed as shown in Figure 21.
- (2) Remove two screws marked "※" as shown in Figure 21, and disconnect two lead wires of assist motor.
- (3) Replace the assist motor with a new one, and assemble in the way reverse to disassembly.

2-4. Replacement of Main Belt and Flywheels

- (1) Replace the bad part with new one, and clean it with absolute alcohol.
- (2) Assemble the unit in the way reverse to disassembly.

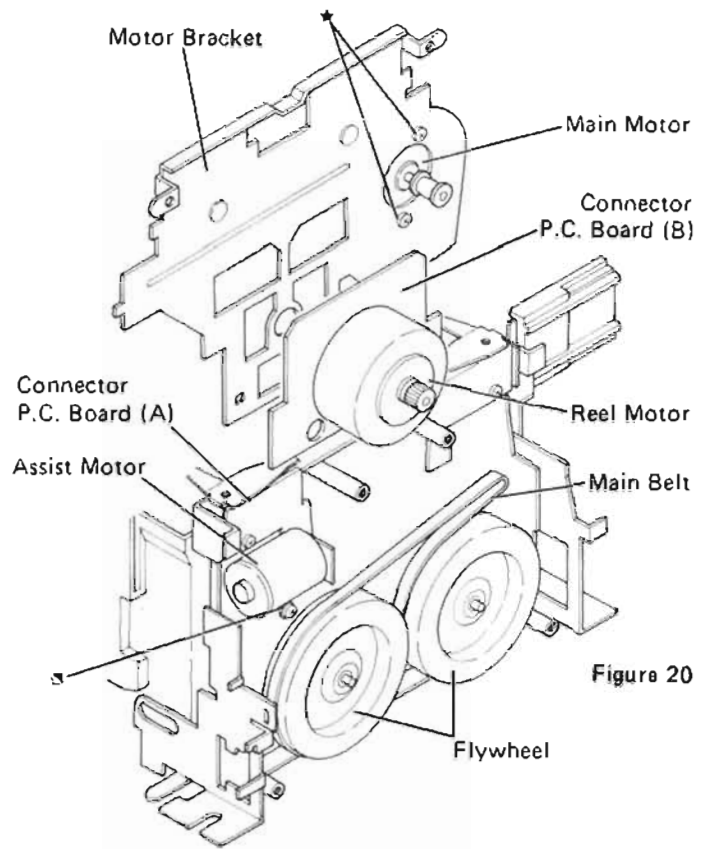
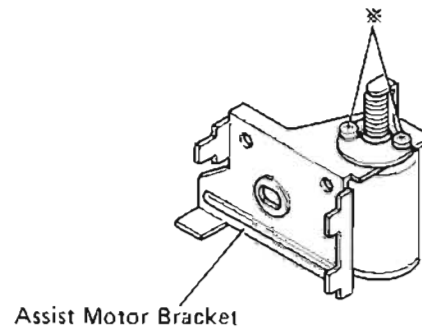


Figure 20



Assist Motor Bracket

Figure 21

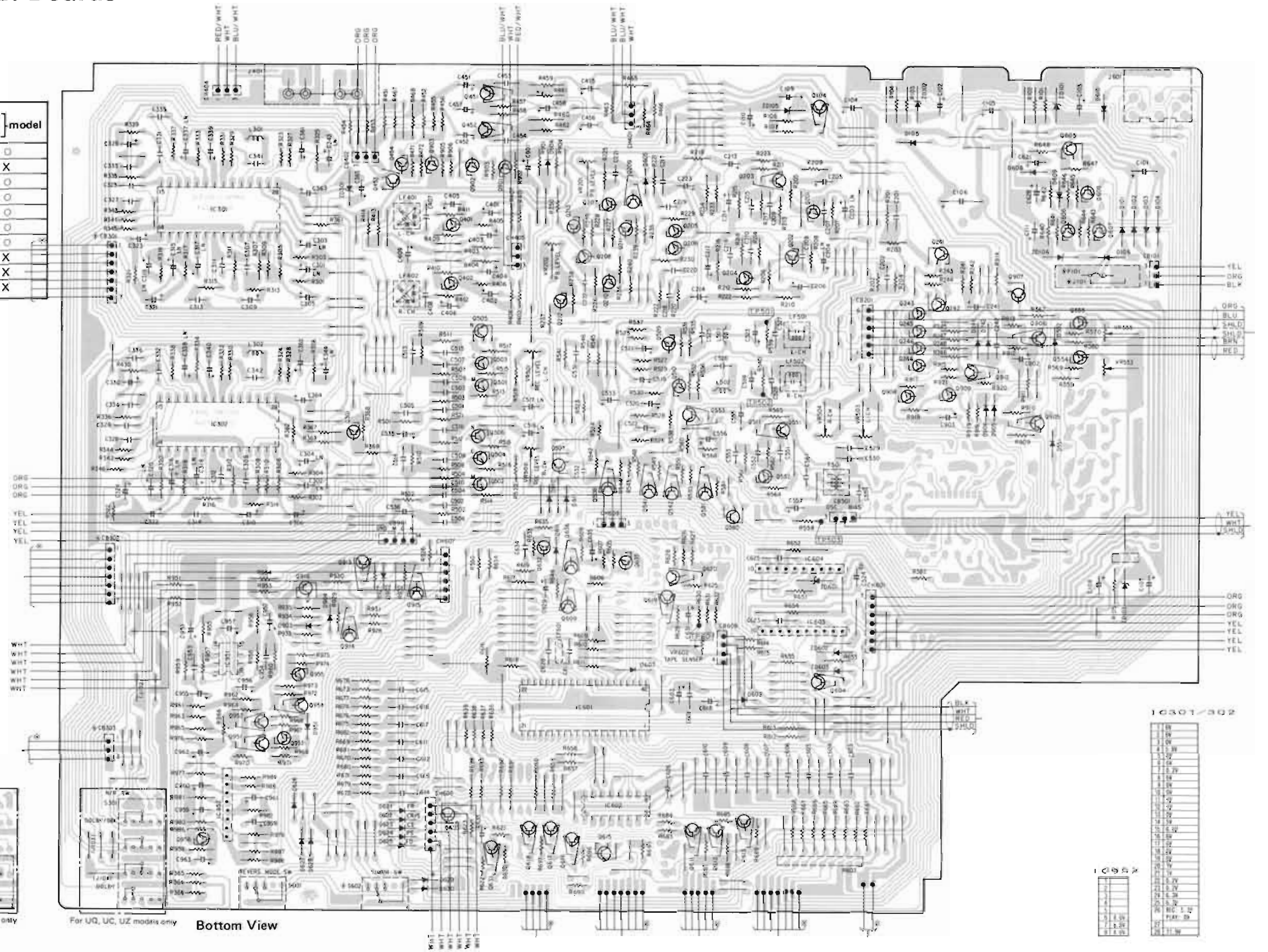
Parts Layout on P.C. Boards

● Master P.C. Board

※

	JA model	SK model	UQ UC UZ	model
J101	○	X	○	
F101	X	○	X	
S602	○	X	○	
D629	○	X	○	
CB301	X	X	○	
CB302	X	X	○	
CB303	X	X	○	
J102	○	○	X	
J103	○	○	X	
J104	○	○	X	

○ ... Used X ... Not Used



Bottom View

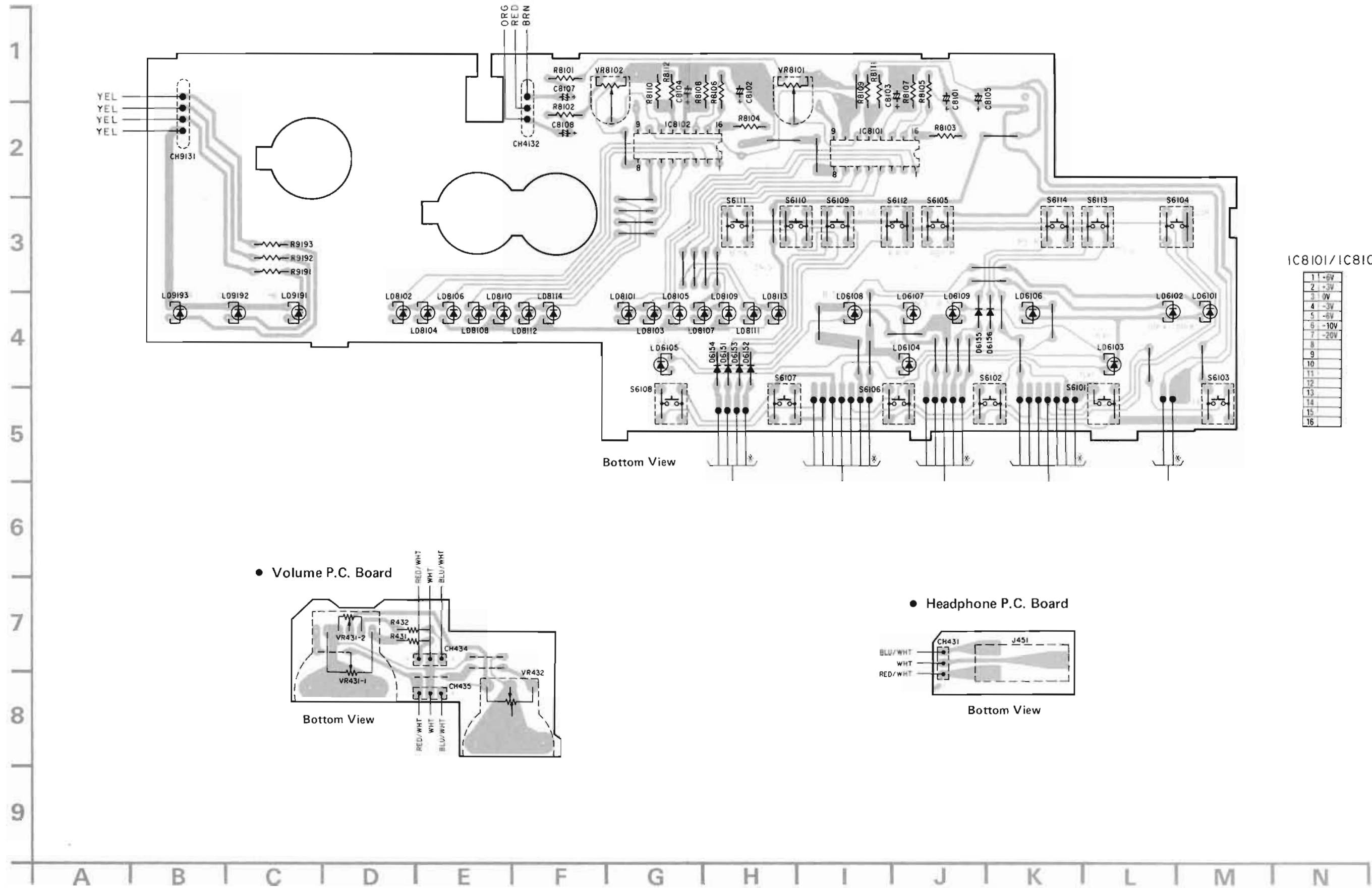
For SK, JA models only

For UQ, UC, UZ models only

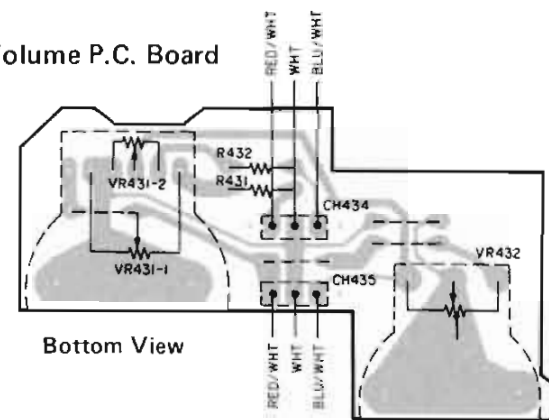
IC101/302

1	BLK
2	WHI
3	WHI
4	WHI
5	WHI
6	WHI
7	WHI
8	WHI
9	WHI
10	WHI
11	WHI
12	WHI
13	WHI
14	WHI
15	WHI
16	WHI
17	WHI
18	WHI
19	WHI
20	WHI
21	WHI
22	WHI
23	WHI
24	WHI
25	WHI
26	WHI
27	WHI
28	WHI
29	WHI
30	WHI
31	WHI
32	WHI
33	WHI
34	WHI
35	WHI
36	WHI
37	WHI
38	WHI
39	WHI
40	WHI
41	WHI
42	WHI
43	WHI
44	WHI
45	WHI
46	WHI
47	WHI
48	WHI
49	WHI
50	WHI
51	WHI
52	WHI
53	WHI
54	WHI
55	WHI
56	WHI
57	WHI
58	WHI
59	WHI
60	WHI
61	WHI
62	WHI
63	WHI
64	WHI
65	WHI
66	WHI
67	WHI
68	WHI
69	WHI
70	WHI
71	WHI
72	WHI
73	WHI
74	WHI
75	WHI
76	WHI
77	WHI
78	WHI
79	WHI
80	WHI
81	WHI
82	WHI
83	WHI
84	WHI
85	WHI
86	WHI
87	WHI
88	WHI
89	WHI
90	WHI
91	WHI
92	WHI
93	WHI
94	WHI
95	WHI
96	WHI
97	WHI
98	WHI
99	WHI
100	WHI

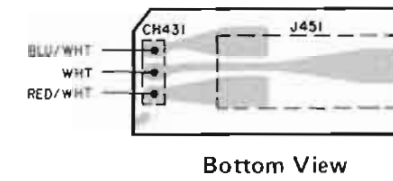
● Key Switch P.C. Board



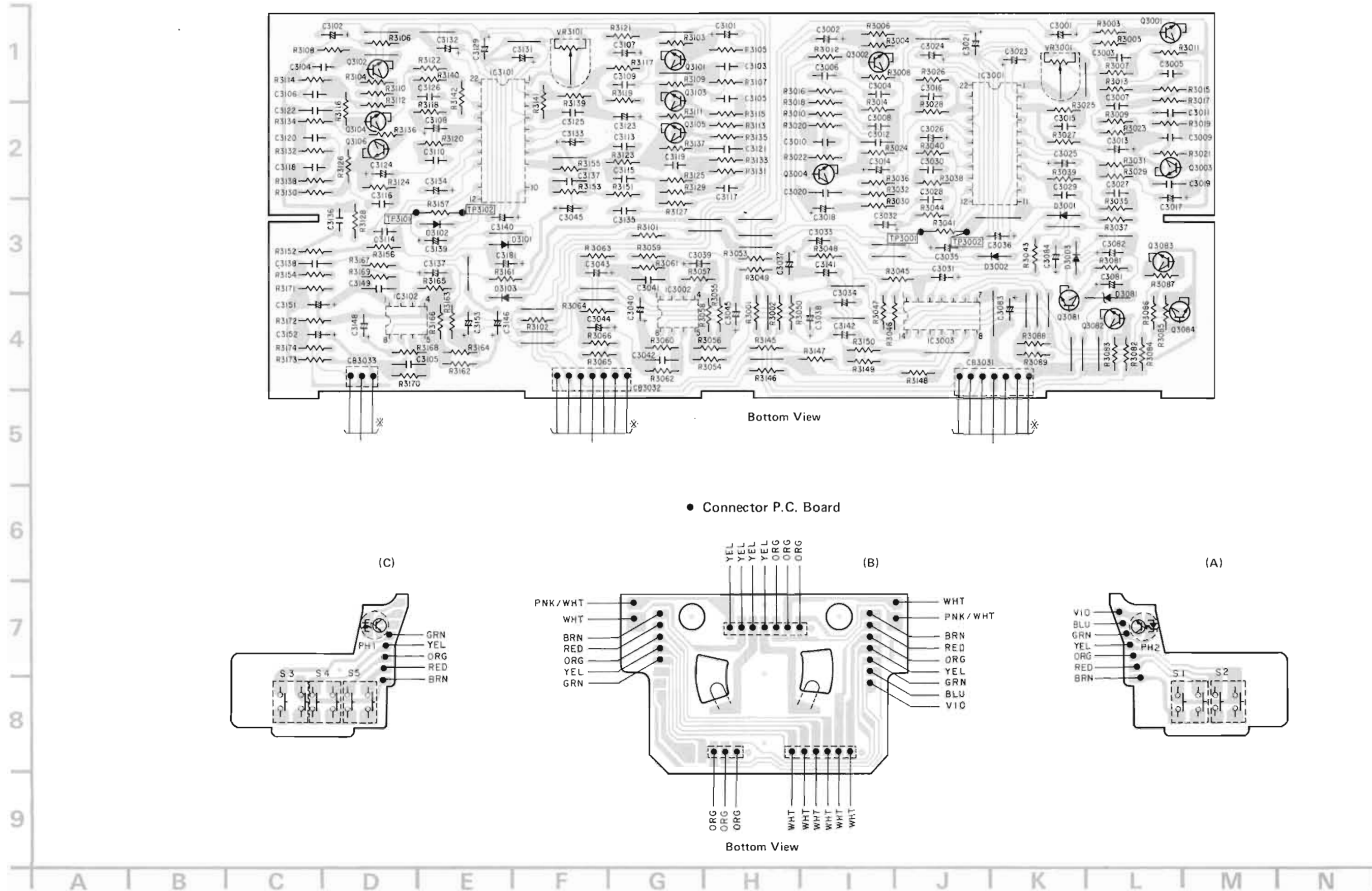
● Volume P.C. Board



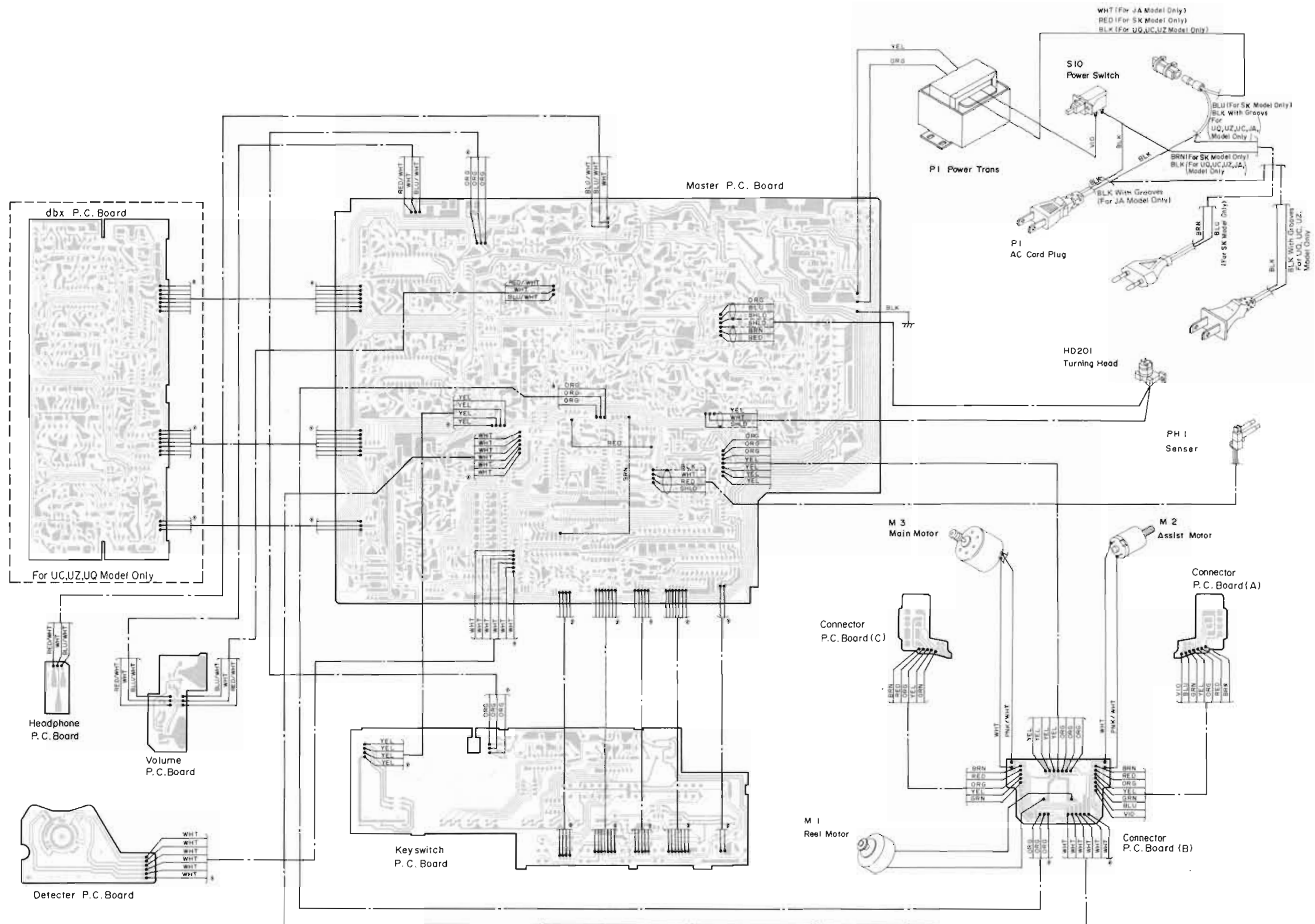
● Headphone P.C. Board



- dbx P.C. Board (For UQ, UC, UZ Model Only)

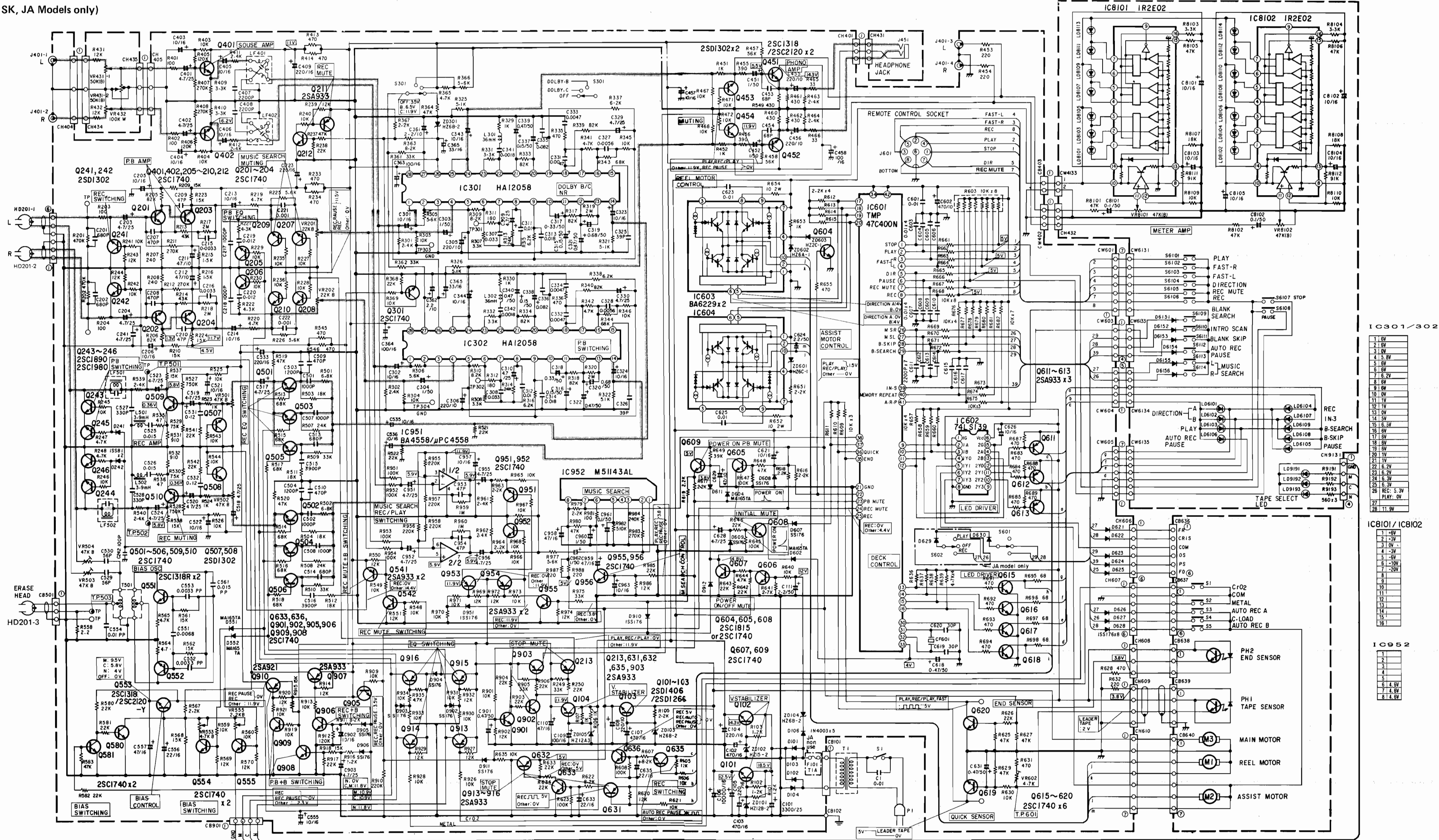


Wiring Diagram



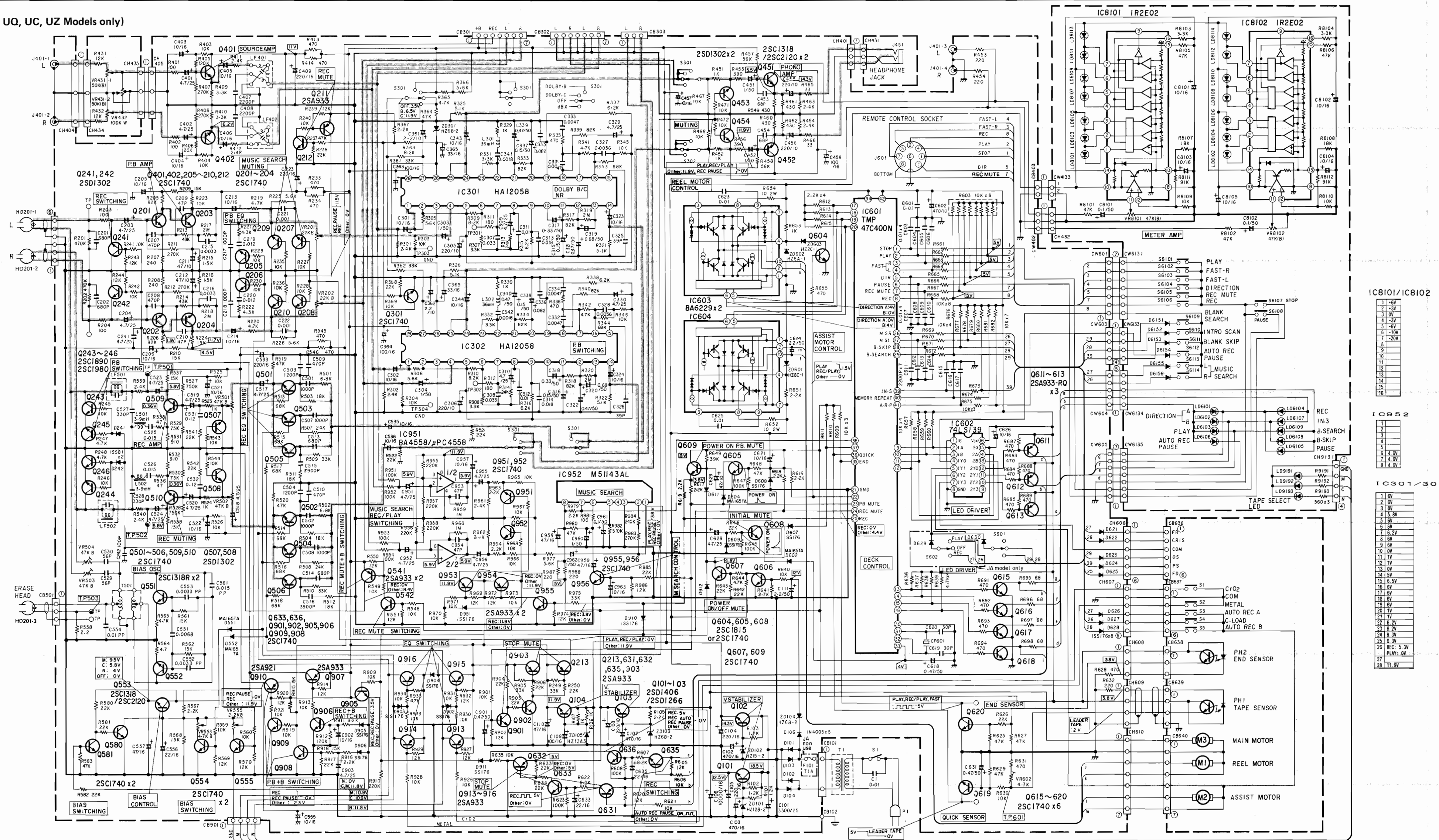
IC		IC301 IC302 IC951	IC952	IC603 IC604	IC601	IC602	IC8101	IC8102				
Transistor(Q,PH)	Q241 Q242 Q580 Q581	Q201~Q204 Q551~Q555	Q401 Q402 Q507~Q510 Q205 Q206	Q212 Q211 Q207~Q210 Q501~Q506 Q905~Q910	Q541 Q542 Q301 Q913~Q916	Q951~Q956 Q901~Q903	Q213 Q104 Q631~Q633 Q103 Q636 Q635	Q451~Q454 Q605~Q609 Q102 Q101	Q604	Q620 Q619	Q611~Q613 Q615~Q618	PH2 PH1
Diode(ZD,LD,D)	D241 D242	D551 D552	D905 D906	D903 D904	D902 D911	D910 D915	D910 D9103	D611 D604 D608 D609 D610 D6104 D106	D629 D630	LD8101~LD8114 D621 D628	D6151~D6156	LD6101~LD6109 LD9101~LD9103

(1/2) (For SK, JA Models only)



IC	IC301 IC302 IC951	IC952	IC603 IC604	IC601	IC602	IC8101	IC8102
Transistor(Q,PH)	Q241 Q242 Q243~Q246 Q581 Q580	Q201~Q204 Q401 Q402 Q205~Q210 Q501~Q506 Q212 Q542	Q301 Q913~Q916 Q901~Q903 Q213 Q104 Q631~Q633 Q103 Q636	Q451~Q454 Q605~Q609 Q102 Q101	Q604	Q615~Q620 Q611~Q613	PH2 PH1
Diode(ZD,LD,D)	D241 D242	D551 D552	D905 D906 D903 D904 D902 D951 D911	ZD301 ZD105	D910 D9103	D629 D630	LD8101~LD8114 D6151~D6156 LD6101~LD6109 LD9191~LD9193

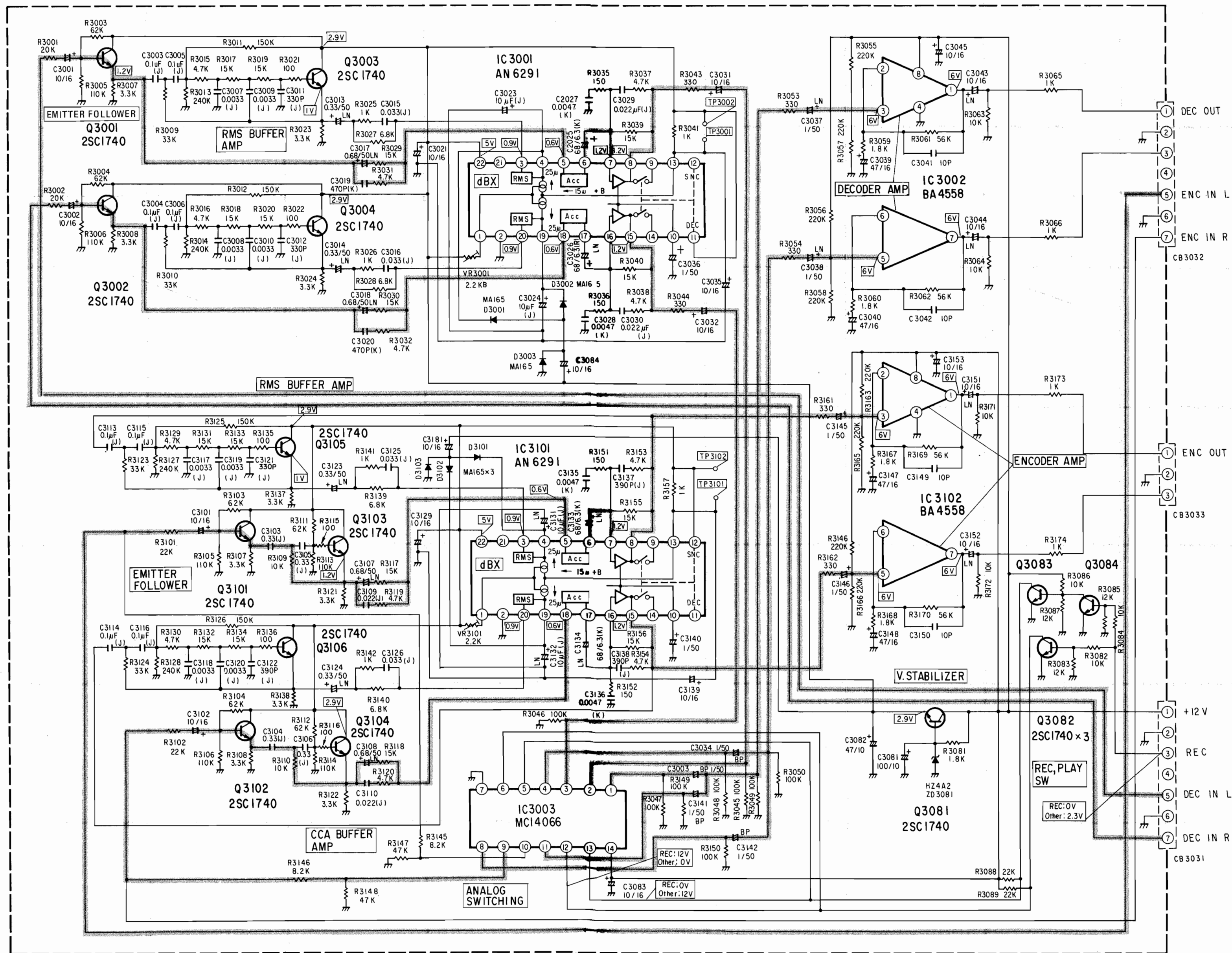
(1/2) (For UQ, UC, UZ Models only)



NOTES:
 1. All resistance values are in ohms. K = 1,000
 2. All capacitance values are in microfarads. P = 1,000,000

IC	IC3001 IC3101 IC3003	IC3002 IC3102	
Transistor (Q)	Q3001 Q3002	Q3003 Q3004 Q3105 Q3106 Q3103 Q3104	Q3081 Q3083 Q3084 Q3082
Diode (D,ZD)	D3001 D3103 D3102 D3101	D3003 D3002	ZD3081

(2/2)
(For UQ, UC, UZ Model only)

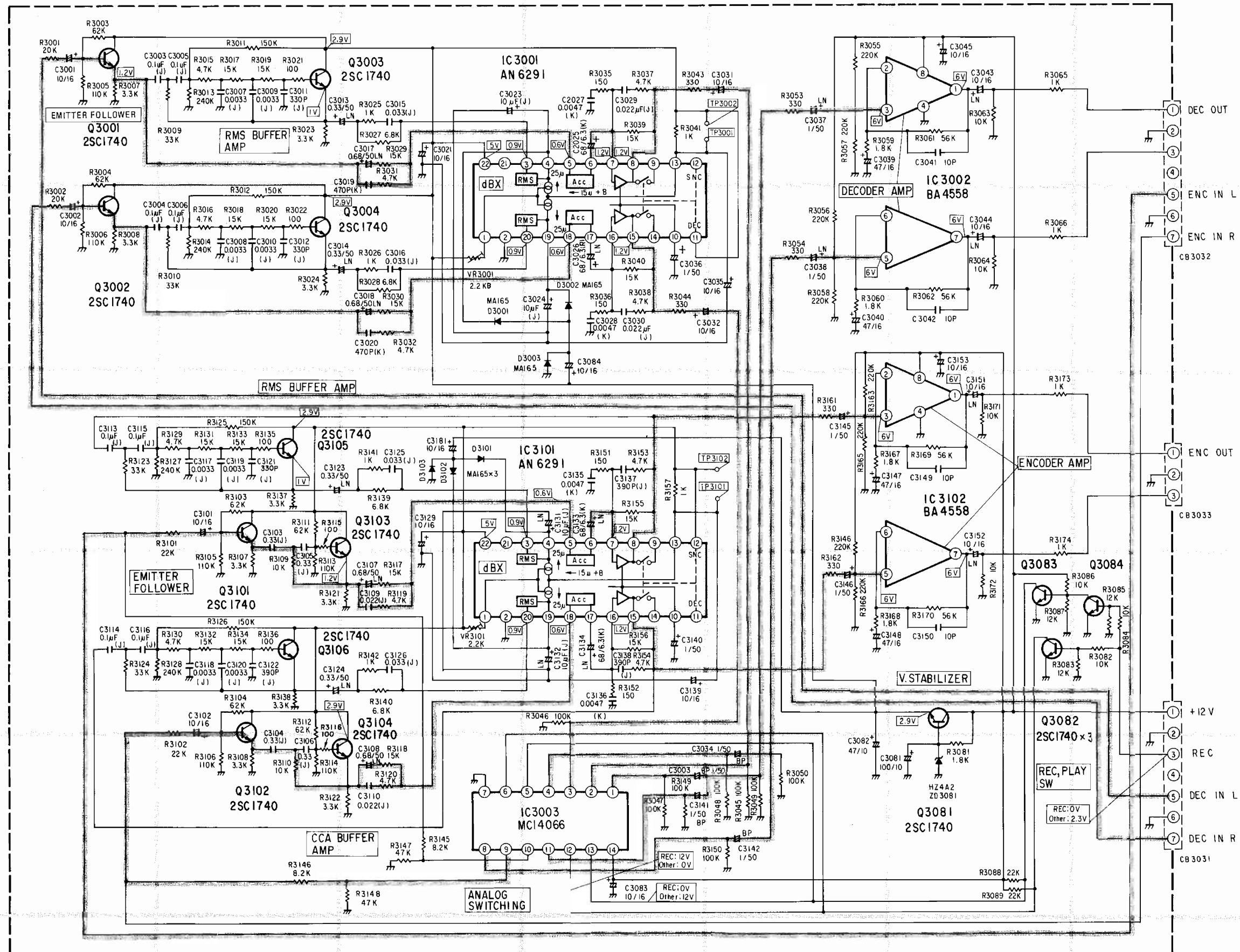


NOTES:
1. All resistance values are in ohms. K = 1,000
2. All capacitance values are in microfarads. P = 1,000,000

Schematic Diagram (2/2) (For UQ, UC, UZ Models only)

NOTES:

1. All resistance values are in ohms. K = 1,000
2. All capacitance values are in microfarads. P = $\frac{1}{1,000,000}$



Electrical Parts List

Resistors (All resistors are carbon film, 1/4W, ±5% unless otherwise noted.)
 uF = microfarads, pF = picofarads

Symbol No.	Part No.	Description
Connector P.C. Board		
Transistor/Switches		
PH2	AZ12G-00	Photo Transistor & LED NJL5141E
S1	UE13K-11	Switch, Tact KHN10902
S2	UE13K-11	Switch, Tact KHN10902
S3	UE13K-11	Switch, Tact KHN10902
S4	UE13K-11	Switch, Tact KHN10902
S5	UE13K-11	Switch, Tact KHN10902
Master P.C. Board		
IC's		
IC301	51T67728F01	HA12058
IC302	51T67728F01	HA12058
IC601	51T68248F01	68248F01
IC602	51T70538F01	HD74LS139
IC603	51T70536F01	BA6229
IC604	51T70536F01	BA6229
IC951	51T65380F01	BA4558
or	51S43471U02	μPC4558C
IC952	51T67915F01	M51143AL
Transistors		
Q103	48T58614F01	2SD1406
or	48T56031F01	2SD1266
Q104	48S40832F03	2SC1318
or	48T43015U01	2SC2120
Q201	48S47708F04	2SC1842
or	48T70535F01	2SC1740
Q202	48S47708F04	2SC1842
or	48T70535F01	2SC1740
Q203	48S47708F04	2SC1842
or	48T70535F01	2SC1740
Q204	48S47708F04	2SC1842
or	48T70535F01	2SC1740

Symbol No.	Part No.	Description
Q205	48T55181F01	2SC1740
or	48S43525F05	2SC1815
Q206	48T55181F01	2SC1740
or	48S43525F05	2SC1815
Q207	48T55181F01	2SC1740
or	48S43525F05	2SC1815
Q208	48T55181F01	2SC1740
or	48S43525F05	2SC1815
Q209	48T55181F01	2SC1740
or	48S43525F05	2SC1815
Q210	48T55181F01	2SC1740
or	48S43525F05	2SC1815
Q211	48T55349F01	2SA933A
or	48T51118F01	2SA1015
Q212	48T55181F01	2SC1740
or	48S43525F05	2SC1815
Q213	48T55349F01	2SA933A
or	48T51118F01	2SA1015
Q241	48T57305F01	2SD1302
Q242	48T57305F01	2SD1302
Q243	48S43394P01	2SC1890
or	48S41196U03	2SC1980
Q244	48S43394P01	2SC1890
or	48S41196U03	2SC1980
Q245	48S43394P01	2SC1890
or	48S41196U03	2SC1980
Q246	48S43394P01	2SC1890
or	48S41196U03	2SC1980
Q301	48T55181F01	2SC1740
or	48S43525F05	2SC1815
Q401	48T55181F01	2SC1740
or	48S43525F05	2SC1815
Q402	48T55181F01	2SC1740
or	48S43525F05	2SC1815
Q451	48S40832F03	2SC1318
or	48T43015U01	2SC2120
Q452	48S40832F03	2SC1318
or	48T43015U01	2SC2120
Q453	48T57305F01	2SD1302
Q454	48T57305F01	2SD1302
Q501	48T55181F01	2SC1740
or	48S43525F05	2SC1815

Symbol No.	Part No.	Description
Q502	48T55181F01	2SC1740
or	48S43525F05	2SC1815
Q503	48T55181F01	2SC1740
or	48S43525F05	2SC1815
Q504	48T55181F01	2SC1740
or	48S43525F05	2SC1815
Q505	48T55181F01	2SC1740
or	48S43525F05	2SC1815
Q506	48T55181F01	2SC1740
or	48S43525F05	2SC1815
Q507	48T57305F01	2SD1302
Q508	48T57305F01	2SD1302
Q509	48S47708F04	2SC1842
or	48T70535F01	2SC1740
Q510	48S47708F04	2SC1842
or	48T70535F01	2SC1740
Q541	48T55349F01	2SA933A
or	48T51118F01	2SA1015
Q542	48T55181F01	2SC1740
or	48S43525F05	2SC1815
Q551	48S40832F03	2SC1318
Q552	48S40832F03	2SC1318
Q553	48S40832F03	2SC1318
or	48T43015U01	2SC2120
Q554	48T55181F01	2SC1740
or	48S43525F05	2SC1815
Q555	48T55181F01	2SC1740
or	48S43525F05	2SC1815
Q580	48T55181F01	2SC1740
or	48S43525F05	2SC1815
Q581	48T55181F01	2SC1740
or	48S43525F05	2SC1815
Q604	48T55181F01	2SC1740
or	48S43525F05	2SC1815
Q605	48S43525F03	2SC1815
or	48T55181F01	2SC1740
Q606	48T55181F01	2SC1740
or	48S43525F05	2SC1815
Q607	48T55181F01	2SC1740
or	48S43525F05	2SC1815
Q608	43S43525F03	2SC1815
or	48T55181F01	2SC1740
Q609	43S43525F03	2SC1815
or	48T55181F01	2SC1740

Symbol No.	Part No.	Description
Q611	48T55349F01	2SA933A
or	48T51118F01	2SA1015
Q612	48T55349F01	2SA933A
or	48T51118F01	2SA1015
Q613	48T55349F01	2SA933A
or	48T51118F01	2SA1015
Q615	48T55181F01	2SC1740
or	48S43525F05	2SC1815
Q616	48T55181F01	2SC1740
or	48S43525F05	2SC1815
Q617	48T55181F01	2SC1740
or	48S43525F05	2SC1815
Q618	48T55181F01	2SC1740
or	48S43525F05	2SC1815
Q619	48T55181F01	2SC1740
or	48S43525F05	2SC1815
Q620	48T55181F01	2SC1740
or	48S43525F05	2SC1815
Q631	48T55349F01	2SA933A
or	48T51118F01	2SA1015
Q632	48T55349F01	2SA933A
or	48T51118F01	2SA1015
Q633	48T55181F01	2SC1740
or	48S43525F05	2SC1815
Q635	48T55349F01	2SA933A
or	48T51118F01	2SA1015
Q636	48T55181F01	2SC1740
or	48S43525F05	2SC1815
Q901	48T55181F01	2SC1740
or	48S43525F05	2SC1815
Q902	48T55181F01	2SC1740
or	48S43525F05	2SC1815
Q903	48T55349F01	2SA933A
or	48T51118F01	2SA1015
Q905	48T55181F01	2SC1740
or	48S43525F05	2SC1815
Q906	48T55181F01	2SC1740
or	48S43525F05	2SC1815
Q907	48T55349F01	2SA933A
or	48T51118F01	2SA1015
Q908	48S47706F04	2SC1843
Q909	48T55181F01	2SC1740
or	48S43525F05	2SC1815
Q910	48T42941U01	2SA921
Q913	48T55349F01	2SA933A
or	48T51118F01	2SA1015

Symbol No.	Part No.	Description
Q914 or	48T55349F01 48T51118F01	2SA933A 2SA1015
Q915 or	48T55349F01 48T51118F01	2SA933A 2SA1015
Q916 or	48T55349F01 48T51118F01	2SA933A 2SA1015
Q951 or	48T55181F01 48S43525F05	2SC1740 2SC1815
Q952 or	48T55181F01 48S43525F05	2SC1740 2SC1815
Q953 or	48T55349F01 48T51118F01	2SA933A 2SA1015
Q954 or	48T55349F01 48T51118F01	2SA933A 2SA1015
Q955 or	48T55181F01 48S43525F05	2SC1740 2SC1815
Q956 or	48T55181F01 48S43525F05	2SC1740 2SC1815
Diodes		
D101	48S40477U01	IN4003
D102	48S40477U01	IN4003
D103	48S40477U01	IN4003
D104	48S40477U01	IN4003
D106	48S40477U01	IN4003
D241	48T53429F01	1SS81
D242	48T53429F01	1SS81
D551 or	48T44813F01 48T58583F01	MA165TA SS176
D552 or	48T44813F01 48T58583F01	MA165TA SS176
D602 or	48T44813F01 48T58583F01	MA165TA SS176
D604 or	48T44813F01 48T58583F01	MA165TA SS176
D607 or	48T68764F03 48T51582F01	1S2473 MA-150
D608 or	48T44813F01 48T58583F01	MA165TA SS176
D609 or	48T44813F01 48T58583F01	MA165TA SS176
D611 or	48T44813F01 48T58583F01	MA165TA SS176

Symbol No.	Part No.	Description
D621 or	48T44813F01 48T58583F01	MA165TA SS176
D622 or	48T44813F01 48T58583F01	MA165TA SS176
D623 or	48T44813F01 48T58583F01	MA165TA SS176
D624 or	48T44813F01 48T58583F01	MA165TA SS176
D625 or	48T44813F01 48T58583F01	MA165TA SS176
D626 or	48T44813F01 48T58583F01	MA165TA SS176
D627 or	48T44813F01 48T58583F01	MA165TA SS176
D628 or	48T44813F01 48T58583F01	MA165TA SS176
D630 or	48T44813F01 48T58583F01	MA165TA SS176
D902 or	48T44813F01 48T58583F01	MA165TA SS176
D903 or	48T44813F01 48T58583F01	MA165TA SS176
D904 or	48T44813F01 48T58583F01	MA165TA SS176
D905 or	48T44813F01 48T58583F01	MA165TA SS176
D906 or	48T44813F01 48T58583F01	MA165TA SS176
D910 or	48T44813F01 48T58583F01	MA165TA SS176
D911 or	48T44813F01 48T58583F01	MA165TA SS176
D912	48S134816	1S1555
D951 or	48T44813F01 48T58583F01	MA165TA SS176
ZD101 or	48T52739F74 48T56372F54	Zener, HZ12B-2 Zener, RD13E-B2
ZD102 or	48T52739F77 48T56372F58	Zener, HZ15-2 Zener, RD15E-B3
ZD103 or	48T52739F38 48T56372F27	Zener, HZ6B-2 Zener, RD5.6E-B3
ZD104 or	48T52739F38 48T56372F27	Zener, HZ6B-2 Zener, RD5.6E-B3
ZD105 or	48T52739F72 48T56372F53	Zener, HZ12A-3 Zener, RD13E-B1
ZD301 or	48T52739F38 48T56372F27	Zener, HZ6B-2 Zener, RD5.6E-B3

Symbol No.	Part No.	Description
ZD601 or ZD602 or ZD603 or	48T52739F40 48T56372F28 48T52739F34 48T56372F25 48T52739F04 48T56372F03	Zener, HZ6C-1 Zener, RD6.2E-B1 Zener, HZ6A-1 Zener, RD5.6E-B1 Zener, Zener, HZ2C-1 Zener, RD2.2E-C
△ D629 or	48T44813F01 48T58583F01	MA165TA SS176TPA7
Inductors		
L301 L302 L501 L502	24T47741F01 24T47741F01 24S41448F98 24S41448F98	36mH 36mH Radial 3900μH Radial 3900μH
Transformer		
T501	24T70526F01	OSC (K-405)
Switches		
○ S301 △ S301 ☆ S301 ■ S301 ● S301 □ S301 ▲ S301 S601 △ S602	40T70531F01 40T70530F01 40T70531F01 40T70530F01 40T70531F01 40T70530F01 40T70531F01 40T70530F01 40T70531F01 40T70530F01 40T70530F01	Rotary, SBM4048M Rotary, SBM1023N Rotary, SBM4048M Rotary, SBM1023N Rotary, SBM4048M Rotary, SBM1023N Rotary, SBM4048M Rotary, SBM1023N Rotary, SBM4048M Rotary, SBM1023N Rotary, SBM1023N
Jacks		
J401 J601	09T70529F01 09T50261F01	Plate, Phone 4P (OSHI) Remote Control Socket
Fuse		
■ F101 □ F101	65T42077U16 65T42077U16	Semko T-1A Semko T-1A
Filters		
CF601 LF401 LF402 LF501 LF502	91T70534F01 24T70527F01 24T70527F01 24T70528F01 24T70528F01	Ceramic (CSA 4.00MG) MPX (38K, 105K) MPX (38K, 105K) Bias (105K) Bias (105K)

Symbol No.	Part No.	Description
Capacitors		
C101 C102 C103 C104 C105 C106 C107 C108 C109 C110 C111 C201 C202 C203 C204 C205 C206 C207 C208 C209 C210 C211 C212 C213 C214 C215 C216 C217 C218 C219 C220 C221 C222 C223 C241 C242 C301 C302 C303 C304	23S41198U77 23S41198U56 23S41198U56 23S40657F52 23S40657F52 23T58450F05 23S41198U55 23S40657F09 23S40657F14 23S40657F13 23S40657F29 08T55260F47 08T55260F47 23T42478F09 23T42478F09 23S40657F10 23S40657F10 08T55260F45 08T55260F45 08T55260F29 23S40657F07 23S40657F07 23S40657F10 23S40657F10 08S40656F07 08S40656F07 08T55260F49 08T55260F49 08T57851F02 08T57851F02 08S40656F01 08S40656F01 23S40657F52 23S40657F16 08T55260F37 23T42478F05 23T42478F05 23T42478F24 23T42478F24	Electrolytic 3300 μF/25V Electrolytic 470 μF/16V Electrolytic 470 μF/16V Electrolytic 220 μF/16V Electrolytic 220 μF/16V Electrolytic 0.01 F/16V Electrolytic 470 μF/10V Electrolytic 220 μF/10V Electrolytic 100 μF/16V Electrolytic 47 μF/16V Electrolytic 2.2 μF/50V Ceramic 680 pF Ceramic 680 pF Electrolytic 4.7 μF/25V Electrolytic 4.7 μF/25V Electrolytic 10 μF/16V Electrolytic 10 μF/16V Ceramic 470 pF Ceramic 470 pF Ceramic 47 pF Ceramic 47 pF Electrolytic 47 μF/10V Electrolytic 47 μF/10V Electrolytic 10 μF/16V Electrolytic 10 μF/16V Mylar 3300 pF Mylar 3300 pF Ceramic 1000 pF Ceramic 1000 pF Polyester Film 0.012 μF Polyester Film 0.012 μF Mylar 1000 pF Mylar 1000 pF Electrolytic 220 μF/16V Electrolytic 4.7 μF/25V Ceramic 100 pF Electrolytic 10 μF/16V Electrolytic 10 μF/16V Electrolytic 1 μF/50V Electrolytic 1 μF/50V

K-405 model (■ : For European model only (SK), ● : For Canadian model only (UO), Others: Common
▲ : For North American model only (UC)

K-105 model (□ : For European model only (SK), ○ : For Canadian model only (UO),
△ : For Japan model only (JA), ☆ : For North American model only (UZ))

Symbol No.	Part No.	Description	Symbol No.	Part No.	Description
C305	23S40657F09	Electrolytic 220 uF/10V	C401	23S40657F16	Electrolytic 4.7 uF/25V
C306	23S40657F09	Electrolytic 220 uF/10V	C402	23S40657F16	Electrolytic 4.7 uF/25V
C307	08T57851F07	TF 0.033 uF	C403	23S40657F10	Electrolytic 10 uF/16V
C308	08T57851F07	TF 0.033 uF	C404	23S40657F10	Electrolytic 10 uF/16V
C309	23S40657F16	Electrolytic 4.7 uF/25V	C405	23S40657F10	Electrolytic 10 uF/16V
C310	23S40657F16	Electrolytic 4.7 uF/25V	C406	23S40657F10	Electrolytic 10 uF/16V
C311	08T57851F01	Polyester Film 0.01 uF	C407	08T55260F54	Ceramic 2200 pF
C312	08T57851F01	Polyester Film 0.01 uF	C408	08T55260F54	Ceramic 2200 pF
C313	08T57851F04	Polyester Film 0.018 uF	C409	23S40657F52	Electrolytic 220 uF/16V
C314	08T57851F04	Polyester Film 0.018 uF	C451	23S40657F28	Electrolytic 1 uF/50V
C315	23T42478F19	Electrolytic 0.15 uF/50V	C452	23S40657F28	Electrolytic 1 uF/50V
C316	23T42478F19	Electrolytic 0.15 uF/50V	C453	08T55260F33	Ceramic 68 pF
C317	23T42478F21	Electrolytic 0.33 uF/50V	C454	08T55260F33	Ceramic 68 pF
C318	23T42478F21	Electrolytic 0.33 uF/50V	C455	23S40657F09	Electrolytic 220 uF/10V
C319	23T42478F23	Electrolytic 0.68 uF/50V	C456	23S40657F09	Electrolytic 220 uF/10V
C320	23T42478F23	Electrolytic 0.68 uF/50V	C457	23S40657F10	Electrolytic 10 uF/16V
C321	23S40657F27	Electrolytic 0.47 uF/50V	C458	23S40657F14	Electrolytic 100 uF/16V
C322	23S40657F27	Electrolytic 0.47 uF/50V	C501	08T55260F49	Ceramic 1000 pF
C323	23S40657F10	Electrolytic 10 uF/16V	C502	08T55260F49	Ceramic 1000 pF
C324	23S40657F10	Electrolytic 10 uF/16V	C503	08T55260F63	Ceramic 1200 pF
C325	08T55260F27	Ceramic 39 pF	C504	08T55260F63	Ceramic 1200 pF
C326	08T55260F27	Ceramic 39 pF	C507	08T55260F49	Ceramic 1000 pF
C327	08S40656F10	Mylar 5600 pF	C508	08T55260F49	Ceramic 1000 pF
C328	08S40656F10	Mylar 5600 pF	C509	08T55260F45	Ceramic 470 pF
C329	23S40657F16	Electrolytic 4.7 uF/25V	C510	08T55260F45	Ceramic 470 pF
C330	23S40657F16	Electrolytic 4.7 uF/25V	C513	08T55260F47	Ceramic 680 pF
C331	08S40656F09	Mylar 4700 pF	C514	08T55260F47	Ceramic 680 pF
C332	08S40656F09	Mylar 4700 pF	C515	08T55260F64	Ceramic 3900 pF
C333	08S40656F09	Mylar 4700 pF	C516	08T55260F64	Ceramic 3900 pF
C334	08S40656F09	Mylar 4700 pF	C517	23T42478F09	Electrolytic 4.7 uF/25V
C335	08T57851F12	TF 0.082 uF	C518	23T42478F09	Electrolytic 4.7 uF/25V
C336	08T57851F12	TF 0.082 uF	C519	23S40657F16	Electrolytic 4.7 uF/25V
C337	23T42478F19	Electrolytic 0.15 uF/50V	C520	23S40657F16	Electrolytic 4.7 uF/25V
C338	23T42478F19	Electrolytic 0.15 uF/50V	C521	23S40657F10	Electrolytic 10 uF/16V
C339	23S40657F27	Electrolytic 0.47 uF/50V	C522	23S40657F10	Electrolytic 10 uF/16V
C340	23S40657F27	Electrolytic 0.47 uF/50V	C523	23T42478F09	Electrolytic 4.7 uF/25V
C341	08S40656F04	Mylar 1800 pF	C524	23T42478F09	Electrolytic 4.7 uF/25V
C342	08S40656F04	Mylar 1800 pF	C525	08T57851F03	Polyester Film 0.015 uF
C343	23T42478F05	Electrolytic 10 uF/16V	C526	08T57851F03	Polyester Film 0.015 uF
C344	23T42478F05	Electrolytic 10 uF/16V	C527	08T55260F43	Ceramic 330 pF
C361	23S40657F11	Electrolytic 22 uF/16V	C528	08T55260F43	Ceramic 330 pF
C362	23S40657F11	Electrolytic 22 uF/16V	C529	08T55260F31	Ceramic 56 pF
C363	23S40657F14	Electrolytic 100 uF/16V	C530	08T55260F31	Ceramic 56 pF
C364	23S40657F14	Electrolytic 100 uF/16V	C531	08T57851F14	TF 0.12 uF
C365	23S40657F12	Electrolytic 33 uF/16V	C532	08T57851F14	TF 0.12 uF
			C533	23S40657F52	Electrolytic 220 uF/16V

Symbol No.	Part No.	Description	Symbol No.	Part No.	Description
C535	23S40657F10	Electrolytic 10 uF/16V	C953	08T55260F29	Ceramic 47 pF
C536	23S40657F10	Electrolytic 10 uF/16V	C954	08T55260F29	Ceramic 47 pF
C551	08T52448F33	Polypropylene 6800 pF	C955	23S40657F16	Electrolytic 4.7 uF/25V
C552	08T52448F25	Polypropylene 3300 pF	C956	23S40657F16	Electrolytic 4.7 uF/25V
C553	08T52448F25	Polypropylene 3300 pF	C957	23S40657F10	Electrolytic 10 uF/16V
C554	08T52448F37	Polypropylene 0.01 uF	C958	23S40657F13	Electrolytic 47 uF/16V
C555	23S40657F10	Electrolytic 10 uF/16V	C959	23S40657F13	Electrolytic 47 uF/16V
C556	23S40657F18	Electrolytic 22 uF/25V	C960	23S40657F28	Electrolytic 1 uF/50V
C557	23S40657F13	Electrolytic 47 uF/16V	C961	23T42478F18	Electrolytic 0.1 uF/50V
C561	08T52448F41	Polypropylene 0.015 uF	C962	08T57851F09	TF 0.047 uF
C601	08T55260F61	Ceramic 0.01 uF	C963	23S40657F10	Electrolytic 10 uF/16V
C602	23S41198U55	Electrolytic 470 uF/10V			
C603	08S44505P61	Ceramic 0.01 uF			
C604	08S44505P61	Ceramic 0.01 uF			
C605	08S44505P61	Ceramic 0.01 uF			
C606	08S44505P61	Ceramic 0.01 uF			
C607	08S44505P61	Ceramic 0.01 uF			
C608	08S44505P61	Ceramic 0.01 uF			
C609	08S44505P61	Ceramic 0.01 uF			
C610	08S44505P61	Ceramic 0.01 uF			
C611	08T55260F54	Ceramic 2200 pF			
C612	08T55260F54	Ceramic 2200 pF			
C613	08T55260F54	Ceramic 2200 pF			
C614	08T55260F54	Ceramic 2200 pF			
C615	08T55260F54	Ceramic 2200 pF			
C616	08T55260F54	Ceramic 2200 pF			
C617	08T55260F54	Ceramic 2200 pF			
C618	23S40657F27	Electrolytic B.P. 2.2 uF/50V			
C619	08T55260F24	Ceramic 30 pF			
C620	08T55260F24	Ceramic 30 pF			
C621	23S40657F10	Electrolytic 10 uF/16V			
C623	08S44505P61	Ceramic 0.01 uF			
C624	23T42477F18	Electrolytic B.P. 2.2 uF/50V			
C625	08S44505P61	Ceramic 0.01 uF			
C626	23S40657F10	Electrolytic 10 uF/16V			
C628	23S40657F16	Electrolytic 4.7 uF/25V			
C629	23S40657F07	Electrolytic 47 uF/10V			
C631	23S40657F27	Electrolytic 0.47 uF/50V			
C633	23S40657F11	Electrolytic 22 uF/16V			
C635	23S40657F11	Electrolytic 22 uF/16V			
C901	23S40657F27	Electrolytic 0.47 uF/50V			
C902	23S40657F10	Electrolytic 10 uF/16V			
C903	23S40657F16	Electrolytic 4.7 uF/25V			
C951	23S40657F16	Electrolytic 4.7 uF/25V			
C952	23S40657F16	Electrolytic 4.7 uF/25V			
Resistors					
R603	51T52333F05	Network 10K ohm x 8			
R652	06T55179F17	Metal Film 10 ohm 2W			
or	06T00007L17	Metal Film 10 ohm 2W			
R654	06T55179F17	Metal Film 10 ohm 2W			
or	06T00007L17	Metal Film 10 ohm 2W			
VR201	18T52946F15	Variable 22K ohm			
VR202	18T52946F15	Variable 22K ohm			
VR501	18T52946F17	Variable 47K ohm			
VR502	18T52946F17	Variable 47K ohm			
VR503	18T52946F17	Variable 47K ohm			
VR504	18T52946F17	Variable 47K ohm			
VR553	18T52946F11	Variable 4.7K ohm			
VR555	18T52946F09	Variable 2.2K ohm			
VR602	18T52946F11	Variable 4.7K ohm			
DBX P.C. Board (For UC, UQ, UZ model only)					
IC's					
IC3001	51T56606F01	AN6291 DBX			
IC3002	51T65380F01	BA4558			
or	51S43471U02	μPC4558C			
IC3003	51T68999F01	8U4066B			
or	51T47739F01	TC4066BP			

Symbol No.	Part No.	Description
IC3101	51T56606F01	AN6291 DBX
IC3102	51T65380F01	BA4558
or	51S43471U02	μPC4558C
Transistors		
Q3001	48T55181F01	2SC1740
or	48S43525F05	2SC1815
Q3002	48T55181F01	2SC1740
or	48S43525F05	2SC1815
Q3003	48T55181F01	2SC1740
or	48S43525F05	2SC1815
Q3004	48T55181F01	2SC1740
or	48S43525F05	2SC1815
Q3081	48T55181F01	2SC1740
or	48S43525F05	2SC1815
Q3082	48T55181F01	2SC1740
or	48S43525F05	2SC1815
Q3083	48T55181F01	2SC1740
or	48S43525F05	2SC1815
Q3084	48T55181F01	2SC1740
or	48S43525F05	2SC1815
Q3101	48T55181F01	2SC1740
or	48S43525F05	2SC1815
Q3102	48T55181F01	2SC1740
or	48S43525F05	2SC1815
Q3103	48T55181F01	2SC1740
or	48S43525F05	2SC1815
Q3104	48T55181F01	2SC1740
or	48S43525F05	2SC1815
Q3105	48T55181F01	2SC1740
or	48S43525F05	2SC1815
Q3106	48T55181F01	2SC1740
or	48S43525F05	2SC1815
Diodes		
D3001	48T44813F01	MA165TA
D3002	48T44813F01	MA165TA
D3003	48T44813F01	MA165TA
D3101	48T44813F01	MA165TA
D3102	48T44813F01	MA165TA

Symbol No.	Part No.	Description
D3103	48T44813F01	MA165TA
ZD3081	48T52739F17	Zener, HZ4A-2
or	48T56372F12	Zener, RD3.6E-B1
Capacitors		
C3001	23S40657F10	Electrolytic 10 μF/16V
C3002	23S40657F10	Electrolytic 10 μF/16V
C3003	08T57851F13	TF 0.1 μF
C3004	08T57851F13	TF 0.1 μF
C3005	08T57851F13	TF 0.1 μF
C3006	08T57851F13	TF 0.1 μF
C3007	08S40656F07	Mylar 3300 pF
C3008	08S40656F07	Mylar 3300 pF
C3009	08S40656F07	Mylar 3300 pF
C3010	08S40656F07	Mylar 3300 pF
C3011	08T55260F43	Ceramic 330 pF
C3012	08T55260F43	Ceramic 330 pF
C3013	23T42478F21	Electrolytic 0.33 μF/50V
C3014	23T42478F21	Electrolytic 0.33 μF/50V
C3015	08T57851F07	TF 0.033 μF
C3016	08T57851F07	TF 0.033 μF
C3017	23T42478F23	Electrolytic 0.68 μF/50V
C3018	23T42478F23	Electrolytic 0.68 μF/50V
C3019	08T55260F45	Ceramic 470 pF
C3020	08T55260F45	Ceramic 470 pF
C3021	23S40657F10	Electrolytic 10 μF/16V
C3023	23T71541F02	Electrolytic 10 μF/16V
C3024	23T71541F02	Electrolytic 10 μF/16V
C3025	23T71541F01	Electrolytic 68 μF/10V
C3026	23T71541F01	Electrolytic 68 μF/10V
C3027	08S40656F09	Mylar 4700 pF
C3028	08S40656F09	Mylar 4700 pF
C3029	08T57851F05	Polyester Film 0.022 μF
C3030	08T57851F05	Polyester Film 0.022 μF
C3031	23S40657F10	Electrolytic 10 μF/16V
C3032	23S40657F10	Electrolytic 10 μF/16V
C3033	23T42477F16	Electrolytic B.P. 1 μF/50V
C3034	23T42477F16	Electrolytic B.P. 1 μF/50V
C3035	23S40657F10	Electrolytic 10 μF/16V
C3036	23S40657F28	Electrolytic 1 μF/50V

Symbol No.	Part No.	Description
C3037	23T42478F24	Electrolytic 1 uF/50V
C3038	23T42478F24	Electrolytic 1 uF/50V
C3039	23S40657F13	Electrolytic 47 uF/16V
C3040	23S40657F13	Electrolytic 47 uF/16V
C3041	08T55260F13	Ceramic 10 pF
C3042	08T55260F13	Ceramic 10 pF
C3043	23T42478F05	Electrolytic 10 uF/16V
C3044	23T42478F05	Electrolytic 10 uF/16V
C3045	23S40657F10	Electrolytic 10 uF/16V
C3081	23S40657F08	Electrolytic 100 uF/10V
C3082	23S40657F13	Electrolytic 47 uF/16V
C3083	23S40657F10	Electrolytic 10 uF/16V
C3084	23S40657F10	Electrolytic 10 uF/16V
C3101	23S40657F10	Electrolytic 10 uF/16V
C3102	23S40657F10	Electrolytic 10 uF/16V
C3103	08T57851F19	TF 0.33 uF
C3104	08T57851F19	TF 0.33 uF
C3105	08T57851F19	TF 0.33 uF
C3106	08T57851F19	TF 0.33 uF
C3107	23T42478F23	Electrolytic 0.68 uF/50V
C3108	23T42478F23	Electrolytic 0.68 uF/50V
C3109	08T57851F05	Polyester Film 0.022 uF
C3110	08T57851F05	Polyester Film 0.022 uF
C3113	08T57851F13	TF 0.1 uF
C3114	08T57851F13	TF 0.1 uF
C3115	08T57851F13	TF 0.1 uF
C3116	08T57851F13	TF 0.1 uF
C3117	08S40656F07	Mylar 3300 pF
C3118	08S40656F07	Mylar 3300 pF
C3119	08S40656F07	Mylar 3300 pF
C3120	08S40656F07	Mylar 3300 pF
C3121	08T55260F43	Ceramic 330 pF
C3122	08T55260F43	Ceramic 330 pF
C3123	23T42478F21	Electrolytic 0.33 uF/50V
C3124	23T42478F21	Electrolytic 0.33 uF/50V
C3125	08T57851F07	TF 0.033 uF
C3126	08T57851F07	TF 0.033 uF
C3129	23S40657F10	Electrolytic 10 uF/16V
C3131	23T71541F02	Electrolytic 10 uF/16V
C3132	23T71541F02	Electrolytic 10 uF/16V
C3133	23T71541F01	Electrolytic 68 uF/10V
C3134	23T71541F01	Electrolytic 68 uF/10V
C3135	08S40656F09	Mylar 4700 pF
C3136	08S40656F09	Mylar 4700 pF
C3137	08T55260F44	Ceramic 390 pF
C3138	08T55260F44	Ceramic 390 pF

Symbol No.	Part No.	Description
C3139	23S40657F10	Electrolytic 10 uF/16V
C3140	23S40657F28	Electrolytic 1 uF/50V
C3141	23T42477F16	Electrolytic B.P. 1 uF/50V
C3142	23T42477F16	Electrolytic B.P. 1 uF/50V
C3145	23S40657F28	Electrolytic 1 uF/50V
C3146	23S40657F28	Electrolytic 1 uF/50V
C3147	23S40657F13	Electrolytic 47 uF/16V
C3148	23S40657F13	Electrolytic 47 uF/16V
C3149	08T55260F13	Ceramic 10 pF
C3150	08T55260F13	Ceramic 10 pF
C3151	23T42478F05	Electrolytic 10 uF/16V
C3152	23T42478F05	Electrolytic 10 uF/16V
C3153	23S40657F10	Electrolytic 10 uF/16V
C3181	23S40657F10	Electrolytic 10 uF/16V
Resistors		
VR3001	18T52946F09	Variable 2.2K ohm
VR3101	18T52946F09	Variable 2.2K ohm
Key Switch P.C. Board		
IC's		
IC8101	51T70539F01	1R2E02
IC8102	51T70539F01	1R2E02
Diodes		
D6151	48T44813F01	MA165TA
or	48T58583F01	SS176
D6152	48T44813F01	MA165TA
or	48T58583F01	SS176
D6153	48T44813F01	MA165TA
or	48T58583F01	SS176

Symbol No.	Part No.	Description
D6154 or D6155 or D6156 or	48T44813F01 48T58583F01 48T44813F01 48T58583F01 48T44813F01 48T58583F01	MA165TA SS176 MA165TA SS176 MA165TA SS176
LD6101 LD6102 LD6103 LD6104 LD6105	48T72233F01 48T72233F01 48T72233F01 48T66616F02 48T60488F01	LED, SLR-54MG3M (GRN) LED, SLR-54MG3M (GRN) LED, SLR-54MG3M (GRN) LED, SLR-54VR3 (RED) LED, SLR-54DU3 (AMB)
LD6106 LD6107 LD6108 LD6109 LD8101	48T72159F01 48T72159F01 48T72159F01 48T72159F01 48T72160F01	LED, SLR-40DU3F LED, SLR-40DU3F LED, SLR-40DU3F LED, SLR-40DU3F LED, SLR-40VR3F
LD8102 LD8103 LD8104 LD8105 LD8106	48T72160F01 48T72160F01 48T72160F01 48T72160F01 48T72160F01	LED, SLR-40VR3F LED, SLR-40VR3F LED, SLR-40VR3F LED, SLR-40VR3F LED, SLR-40VR3F
LD8107 LD8108 LD8109 LD8110 LD8111	48T72159F01 48T72159F01 48T72159F01 48T72159F01 48T72159F01	LED, SLR-40DU3F LED, SLR-40DU3F LED, SLR-40DU3F LED, SLR-40DU3F LED, SLR-40DU3F
LD8112 LD8113 LD8114 LD9191 LD9192	48T72159F01 48T72159F01 48T72159F01 48T60488F01 48T60488F01	LED, SLR-40DU3F LED, SLR-40DU3F LED, SLR-40DU3F LED, SLR-54DU3 (AMB) LED, SLR-54DU3 (AMB)
LD9193	48T60488F01	LED, SLR-54DU3 (AMB)
Switches		
S6101 S6102 S6103 S6104 S6105	40T70532F01 40T70532F01 40T70532F01 40T70532F01 40T70532F01	Tact (KHH, GRAY) Tact (KHH, GRAY) Tact (KHH, GRAY) Tact (KHH, GRAY) Tact (KHH, GRAY)

Symbol No.	Part No.	Description
S6106 S6107 S6108 S6109 S6110	40T70532F01 40T70532F01 40T70532F01 40T70532F01 40T70532F01	Tact (KHH, GRAY) Tact (KHH, GRAY) Tact (KHH, GRAY) Tact (KHH, GRAY) Tact (KHH, GRAY)
S6111 S6112 S6113 S6114	40T70532F01 40T70532F01 40T70532F01 40T70532F01	Tact (KHH, GRAY) Tact (KHH, GRAY) Tact (KHH, GRAY) Tact (KHH, GRAY)
Capacitors		
C8101 C8102 C8103 C8104 C8105	23T57422F09 23T57422F09 23T57422F09 23T57422F09 23T57422F09	Electrolytic 10 μ F/16V Electrolytic 10 μ F/16V Electrolytic 10 μ F/16V Electrolytic 10 μ F/16V Electrolytic 10 μ F/16V
C8107 C8108	23T57422F01 23T57422F01	Electrolytic 0.1 μ F/50V Electrolytic 0.1 μ F/50V
Resistors		
VR8101 VR8102	18T52946F17 18T52946F17	Variable 47K ohm Variable 47K ohm
Volume P.C. Board		
Resistors		
VR431 VR432	18T70525F01 18T70524F01	Rotary, K162P 50K ohm Rotary, K161M 100K ohm

Symbol No.	Part No.	Description	Symbol No.	Part No.	Description
Miscellaneous					
C1	08T57437F09	Capacitor, Ceramic 0.01 μ F			
HD201	F257-055	Assembly, Turning Head			
J451	09T66672F01	Jack, Headphone			
M1	F064-133	Assembly, Reel Motor			
M2	F064-142	Assembly, Assist Motor			
M3	F064-141	Assembly, Main Motor			
PH1	F258-036	Assembly, Sensor			
Q101	48T58614F01	Transistor, 2SD1406			
or	48T56031F01	Transistor, 2SD1266			
Q102	48T58614F01	Transistor, 2SD1406			
or	48T56031F01	Transistor, 2SD1266			
S1	40T56950F01	Switch, Power SDL1P (ASF)			
■ T1	25T70523F01	Trans, Power			
● T1	25T71350F01	Trans, Power			
▲ T1	25T70522F01	Trans, Power			
□ T1	25T70523F01	Trans, Power			
○ T1	25T71350F01	Trans, Power			
△ T1	25T70521F01	Trans, Power			
☆ T1	25T70522F01	Trans, Power			
■ P1	28T43812P03	Plug, AC Cord			
● P1	28T40916U01	Plug, AC Cord			
▲ P1	28T40916U01	Plug, AC Cord			
□ P1	28T43812P03	Plug, AC Cord			
○ P1	28T40916U01	Plug, AC Cord			
△ P1	28T41871U01	Plug, AC Cord			
☆ P1	28T40916U01	Plug, AC Cord			

K-405 model (■ : For European model only (SK), ● : For Canadian model only (UQ), Others: Common
 ▲ : For North American model only (UC)

K-105 model (□ : For European model only (SK), ○ : For Canadian model only (UQ),
 △ : For Japan model only (JA), ☆ : For North American model only (UZ)

Cabinet Assembly Parts List

Symbol	No.	Index	Part No.	Description	Symbol	No.	Index	Part No.	Description
■	1	1-E	15D70547F01	Cover, Rear	■	18		03S71031F02	Screw, Bind (M2.6 x 8)
●	1	1-E	15D70547F02	Cover, Rear	■	19	5-C	01V71200F44	Assembly, Logic Knob
▲	1	1-E	15D70547F02	Cover, Rear	●	19	5-C	01V71200F44	Assembly, Logic Knob
□	1	1-E	15D70547F04	Cover, Rear	▲	19	5-C	01V71200F44	Assembly, Logic Knob
○	1	1-E	15D70547F05	Cover, Rear	□	19	5-C	01V71800F61	Assembly, Logic Knob
△	1	1-E	15D70547F03	Cover, Rear	○	19	5-C	01V71800F61	Assembly, Logic Knob
☆	1	1-E	15D70547F05	Cover, Rear	△	19	5-C	01V71800F61	Assembly, Logic Knob
	3	2-E	07A70548F01	Support, Trans Nut	☆	19	5-C	01V71800F61	Assembly, Logic Knob
■	4		03C40121T17	Screw, W/Double Washer (M3 x 8)		20		03S71031F01	Screw, Bind (M2 x 6)
●	4		03C40121T13	Screw, W/Double Washer (M3 x 10)		21	4-E	01V71200F45	Assembly, Key Switch P.C. Board
▲	4		03C40121T13	Screw, W/Double Washer (M3 x 10)		22	3-C	45A70553F01	Lever, Eject
□	4		03C40121T13	Screw, W/Double Washer (M3 x 10)		23	4-C	41A45559F01	Spring, Eject
○	4		03C40121T17	Screw, W/Double Washer (M3 x 8)		24	4-D	43A61758F01	Space, Lamp 1011-UL
△	4		03C40121T13	Screw, W/Double Washer (M3 x 10)	■	26	4-B	36A66639F02	Knob, Power 1171-2
☆	4		03C40121T13	Screw, W/Double Washer (M3 x 10)	●	26	4-B	36A56639F02	Knob, Power 1171-2
■	5	1-F	43B41625J02	Support, Cord	▲	26	4-B	36A56639F02	Knob, Power 1171-2
●	5	1-F	43B41625J01	Support, Cord	□	26	4-B	36A67330F01	Knob, Power 1171-2
▲	5	1-F	43B41625J01	Support, Cord	●	26	4-B	36A67330F01	Knob, Power 1171-2
□	5	1-F	43B41625J02	Support, Cord	▲	26	4-B	36A67330F01	Knob, Power 1171-2
○	5	1-F	43B41625J01	Support, Cord	□	26	4-B	36A67330F01	Knob, Power 1171-2
△	5	1-F	43B41625J01	Support, Cord	☆	26	4-B	36A67330F01	Knob, Power 1171-2
☆	5	1-F	43B41625J01	Support, Cord	■	27	5-B	01V71200F48	Assembly, Door Cover
	7		03S71031F04	Screw, Bind (M3 x 8)	●	27	5-B	01V71200F48	Assembly, Door Cover
	8	1-G	05841635J02	River, Push	▲	27	5-B	01V71200F48	Assembly, Door Cover
	9	3-D	43T53136F01	Bush, Capacitor TP150-301	□	27	5-B	01V71800F58	Assembly, Door Cover
	11	2-F	02B47353F02	Nut, Hex Flange (M3)	○	27	5-B	01V71800F58	Assembly, Door Cover
	13	3-D	84D70541F02	Assembly, Headphone P.C. Board	△	27	5-B	01V71800F58	Assembly, Door Cover
■	16	4-B	36B70552F01	Knob, Function	☆	27	5-B	01V71800F58	Assembly, Door Cover
●	16	4-B	36B70552F01	Knob, Function	■	28	5-C	36A70560F02	Knob, Rotary
▲	16	4-B	36B70552F01	Knob, Function	●	28	5-C	36A70560F02	Knob, Rotary
□	16	4-B	36B70552F02	Knob, Function	▲	28	5-C	36A70560F02	Knob, Rotary
○	16	4-B	36B70552F02	Knob, Function	□	28	5-C	36A70620F01	Knob, Rotary
△	16	4-B	36B70552F02	Knob, Function	○	28	5-C	36A70620F01	Knob, Rotary
☆	16	4-B	36B70552F02	Knob, Function	△	28	5-C	36A70620F01	Knob, Rotary
	17		72T70550F01	Tape Counter	☆	28	5-C	36A70620F01	Knob, Rotary
					■	29	5-C	36A56005F02	Knob, Control
					●	29	5-C	36A56005F02	Knob, Control
					▲	29	5-C	36A56005F02	Knob, Control
					□	29	5-C	36A56005F03	Knob, Control
					○	29	5-C	36A56005F03	Knob, Control
					△	29	5-C	36A56005F03	Knob, Control

K-405 model (■ : For European model only (SK), ● : For Canadian model only (UO), Others: Common
▲ : For North American model only (UC))

K-105 model (□ : For European model only (SK), ○ : For Canadian model only (UO),
△ : For Japan model only (JA), ☆ : For North American model only (UZ))

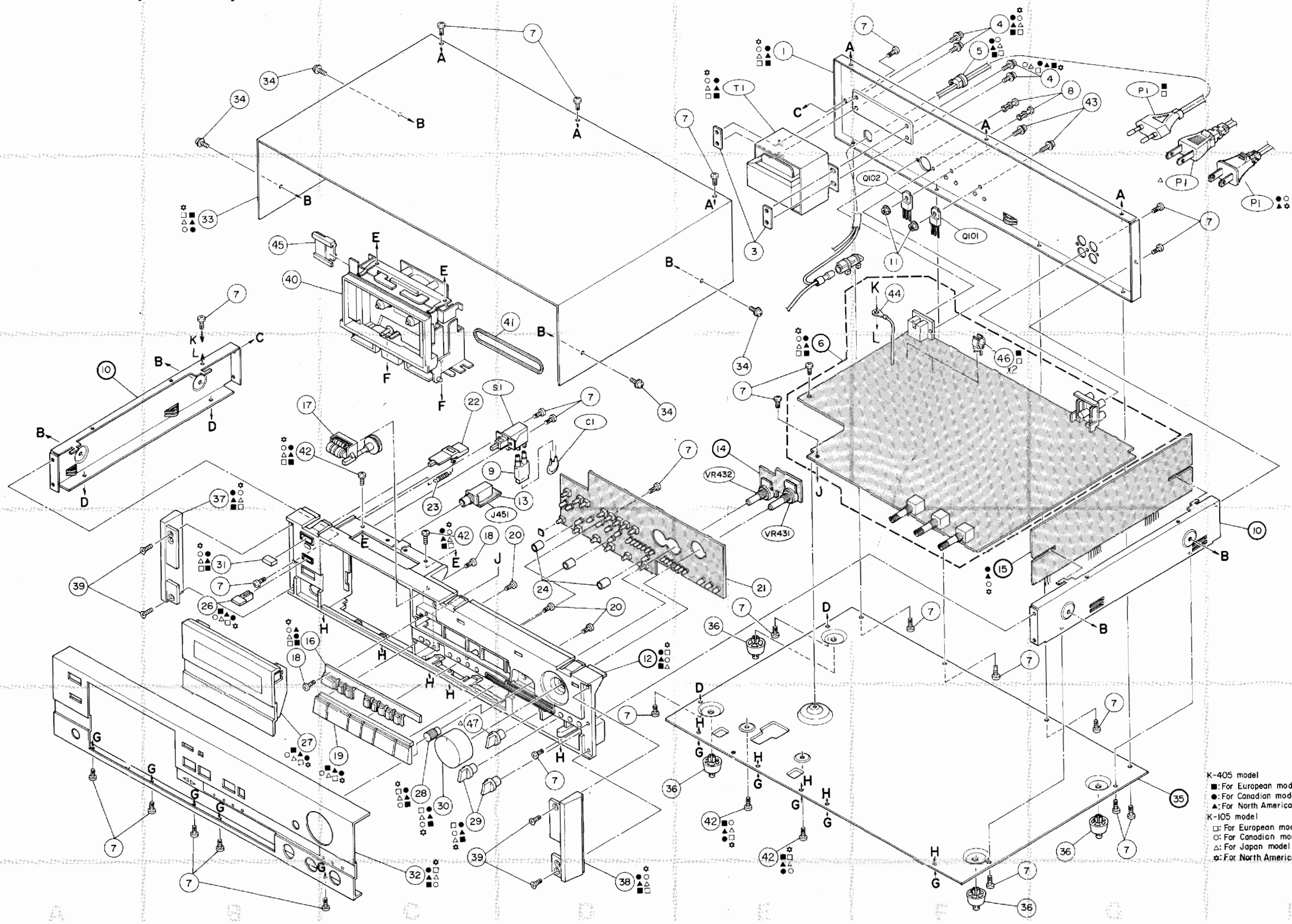
Symbol No.	Index	Part No.	Description
☆ 29	5-C	36A56005F03	Knob, Control
■ 30	5-C	36A55234F02	Knob, Control
● 30	5-C	36A55234F02	Knob, Control
▲ 30	5-C	36A55234F02	Knob, Control
□ 30	5-C	36A55234F03	Knob, Control
○ 30	5-C	36A55234F03	Knob, Control
△ 30	5-C	36A55234F03	Knob, Control
☆ 30	5-C	36A55234F03	Knob, Control
■ 31	4-B	36A45474F07	Knob, Eject
● 31	4-B	36A45474F07	Knob, Eject
▲ 31	4-B	36A45474F07	Knob, Eject
□ 31	4-B	36A45474F04	Knob, Eject
○ 31	4-B	36A45474F04	Knob, Eject
△ 31	4-B	36A45474F04	Knob, Eject
☆ 31	4-B	36A45474F04	Knob, Eject
■ 32	6-C	01V71200F47	Assembly, Front Panel
● 32	6-C	01V71900F98	Assembly, Front Panel
▲ 32	6-C	01V71900F98	Assembly, Front Panel
□ 32	6-C	01V71800F59	Assembly, Front Panel
○ 32	6-C	01V73300F33	Assembly, Front Panel
△ 32	6-C	01V73100F65	Assembly, Front Panel
☆ 32	6-C	01V73300F33	Assembly, Front Panel
■ 33	2-B	15C70608F01	Cover, Top
● 33	2-B	15C70608F01	Cover, Top
▲ 33	2-B	15C70608F01	Cover, Top
□ 33	2-B	15C70608F03	Cover, Top
○ 33	2-B	15C70608F03	Cover, Top
△ 33	2-B	15C70608F03	Cover, Top
☆ 33	2-B	15C70608F03	Cover, Top
34		03S40036U01	Screw, W/Washer (M4 x 8)
36		75A60070F01	Pad, Rubber
■ 37	3-B	07B67093F02	Frame Side Panel (L)
● 37	3-B	07B67093F02	Frame Side Panel (L)
▲ 37	3-B	07B67093F02	Frame Side Panel (L)
□ 37	3-B	07B70554F01	Frame Side Panel (L)
○ 37	3-B	07B70554F01	Frame Side Panel (L)
△ 37	3-B	07B70554F01	Frame Side Panel (L)
☆ 37	3-B	07B70554F01	Frame Side Panel (L)
■ 38	6-D	07B67093F03	Frame Side Panel (R)
● 38	6-D	07B67093F03	Frame Side Panel (R)
▲ 38	6-D	07B67093F03	Frame Side Panel (R)
□ 38	6-D	07B70555F01	Frame Side Panel (R)
○ 38	6-D	07B70555F01	Frame Side Panel (R)
△ 38	6-D	07B70555F01	Frame Side Panel (R)
☆ 38	6-D	07B70555F01	Frame Side Panel (R)

Symbol No.	Index	Part No.	Description
39	4-A	03S71031F06	Screw, Countersink (M3 x 12)
40	2-B	81T68327F01	Deck, Cassette (FW87E010)
41	2-D	42A70551F01	Belt, Counter
■ 42		03S71031F04	Screw, Bind (M3 x 8)
● 42		03S44205G57	Screw, Bind (M3 x 8)
▲ 42		03S71031F04	Screw, Bind (M3 x 8)
□ 42		03S71031F04	Screw, Bind (M3 x 8)
○ 42		03S44205G38	Screw, Bind (M3 x 6)
△ 42		03S44205G38	Screw, Bind (M3 x 6)
☆ 42		03S44205G38	Screw, Bind (M3 x 6)
43	1-G	03C40121T13	Screw, W/Double Washer (M3 x 10)
44	2-F	29A41814G01	Lug
45	2-B	43A70564F01	Bar, Eject
■ 46	3-F	09T45548F01	Holder, Fuse
□ 46	3-F	09T45548F01	Holder, Fuse
△ 47	5-C	36A56005F03	Knob, Control

K-405 model | ■ : For European model only (SK), ● : For Canadian model only (UQ), Others: Common
▲ : For North American model only (UC)

K-105 model | □ : For European model only (SK), ○ : For Canadian model only (UQ),
△ : For Japan model only (JA), ☆ : For North American model only (UZ)

Exploded View (Cabinet)



- K-405 model
 ■ For European model only (SK)
 ● For Canadian model only (UQ)
 ▲ For North American model only (UC)
- K-105 model
 □ For European model only (SK)
 ○ For Canadian model only (UQ)
 △ For Japan model only (JA)
 ☆ For North American model only (UZ)

Exploded View (Cassette Deck)

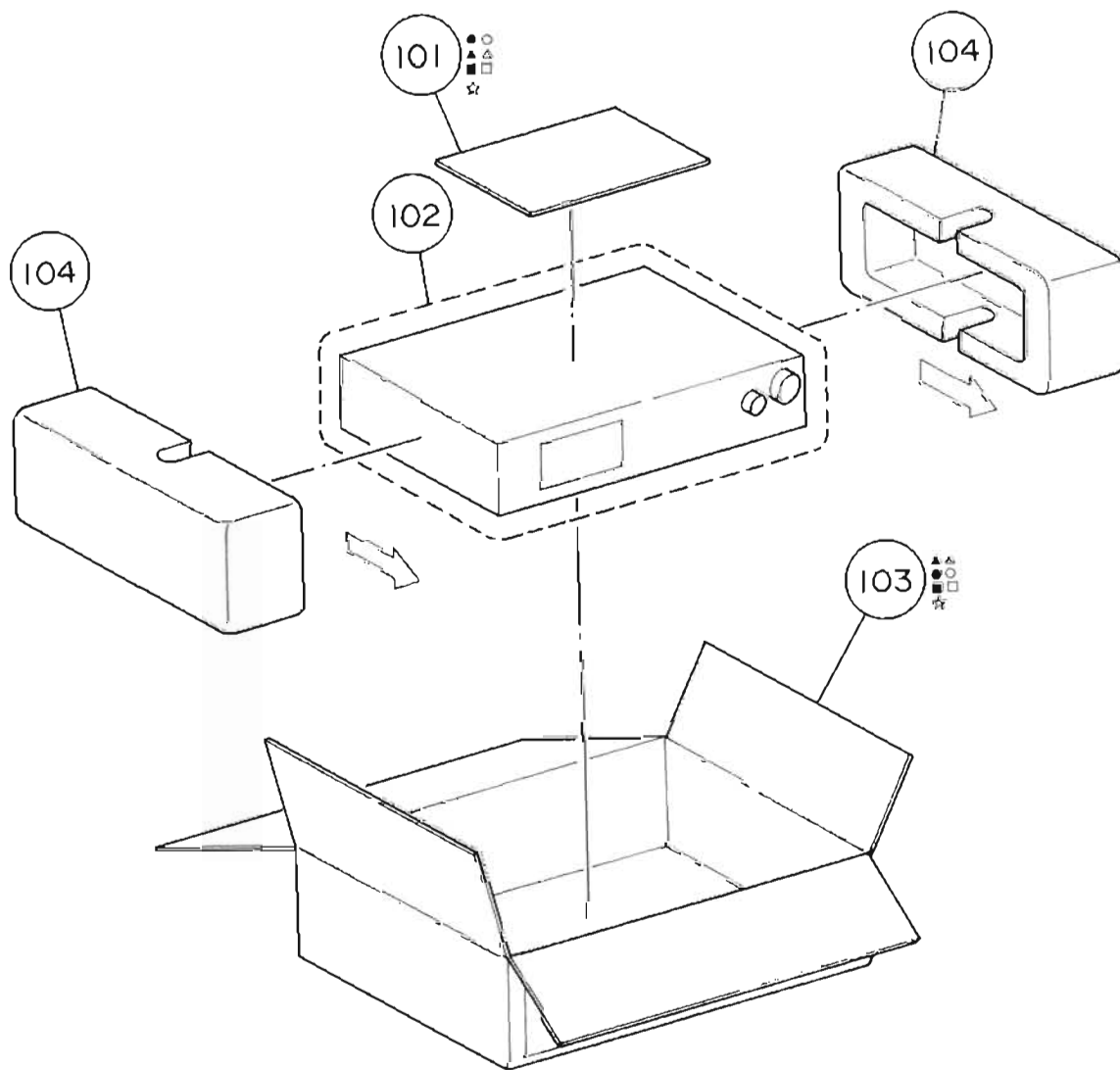


Cassette Deck Assembly Parts List

Symbol No.	Index	Part No.	Description	Symbol No.	Index	Part No.	Description
201		FC114-23	Screw, W/Washer (M2 x 5)	243	2-D	※	Arm, Detector
203	5-B	FD30C-21	Nut, Adjustment	245	3-F	FG141-20	Screw, W/Washer (M2 x 3.5)
205	5-C	FD27R-21	Tape, Guide	246	4-F	FC33M-22	Spring, Thrust
206	5-C	FK20A-13	Spring, Adjustment (L)	247	4-F	FC33D-21	Bracket, Assist Motor (R)
207	5-C	FK20B-13	Spring, Adjustment (R)	248	4-G	FK20M-14	Bracket, Spring
208	4-C	MM113-11	Ball, Steel	249	4-G	UG13V-11	Screw, Tapping
209	5-C	F012-084	Assembly, Plate Head	250	2-I	UG12H-14	Screw, Wave (M2.6 x 8)
210		KG194-12	Screw, Pan (M3 x 6)	252	3-F	※	Assembly, Detector P.C. Board
211		FM296-11	Spacer	253	3-G	FF15E-12	Belt, Main
212	4-C	FC33V-25	Arm, Eject Prevention (L)	254	3-F	FJ111-30	Poly., Slider (M2.6)
213	4-C	FK20D-12	Spring, Eject Prevention	255	3-G	FR18B-13	Assembly, F/W FHR
214		KG111-19	Ring, E	256		UG12H-11	Screw, Wave (M2 x 6)
215	3-C	F014-086	Assembly, Pinch Roller	257		※	Assembly, Connector P.C. Board (B)
216	3-C	FK21A-11	Spring, Pinch Roller (L)	258	1-G	UG11S-11	Screw, W/Washer (M2.6 x 3.5)
217	5-D	F014-085	Assembly, Pinch Roller	259	1-G	※	Bracket, Motor
218	4-E	FK20Y-11	Spring, Pinch Roller (R)	260	2-H	FM177-22	Spacer, Flywheel
219	4-C	FC33F-21	Spring, Pull	261	3-D	FK20N-11	Link, Connection
220	4-C	FD28C-22	Plate C/R Slide	262	3-D	FK20C-13	Spring, Eject Arm
221	4-C	F017-043	Assembly, Idler	263	3-C	FC33W-14	Arm, Eject (L)
222	4-D	FC34R-12	Base, Slide (L)	264		F244-013	Assembly, Rec. Detector
223	5-D	FC35D-12	Base, Slide (R)	265	3-C	F246-015	Assembly, Metal Detector
224	4-C	FK20F-17	Spring, SB (L)	266	2-C	F245-017	Assembly, Pack Detector
225	5-D	FK20G-14	Spring, SB (R)	268	4-C	FK20T-15	Spring, CR Slide
226	4-D	FJ111-17	Poly, Slider	269	2-G	FK21T-11	Spring, Earth
227	4-D	F123-037	Assembly, Take Up Reel	270	5-E	FD29V-21	Lead, Holder
228	4-D	UJ12P-11	Poly Slider (M2.1)	271	3-C	FK21G-11	Spring, Door
229	4-D	FJ141-11	Washer, Oil Shield (M2.5)	272	3-C	FP472-11	Assembly, Dumper
230	4-E	FK20H-15	Spring, H, B	273	3-C	UG12R-11	Screw, Tap Tite
231	4-E	※	Assembly, Chassis	275	2-H	F139-013	Lug
232	3-C	※	Bracket, Dumper (L)	276	1-H	WG29L-01	Lead, Earth
233		KG189-11	Screw, Pan (M3 x 5)	277	2-C	FD31L-11	Assembly, Frame Door
234	4-E	※	Bracket, Dumper (R)	278	4-E	UT11R-11	Reflector
235	4-F	FD27K-21	Slide, Changer	280	3-D	FC35F-11	Spring, Cassette Holder (L)
236	3-F	F061-019	Assembly, Gear	281	4-E	FC35E-11	Spring, Cassette Holder (R)
237	3-F	FJ123-14	Luminer	282	4-D	F105-027	Assembly, Reel
238	3-E	FD27M-21	Gear, Worm	283	4-F	KG194-46	Screw, Tap Tite (M3 x 4)
239	3-E	FD27L-21	Gear, Idler	284	3-D	FC39P-11	Spring, Brake
240	2-E	FD29N-22	Lever, Brake (L)	285	5-A	F184-047	Assembly, Dust Cover
241	3-E	FD29P-22	Lever, Brake (R)	286	6-A	UG12T-11	Screw, Frange (M2.6 x 12)
242	2-E	FK20R-12	Spring, Brake	287	2-E	FJ35U-21	Plate, Earth

Note: ※ The parts without part numbers are not supplied.

Packing Method View



K-405 model (■ : For European model only (SK), ● : For Canadian model only (UQ), Others: Common

▲ : For North American model only (UC)

K-105 model (□ : For European model only (SK), ○ : For Canadian model only (UQ),

△ : For Japan model only (JA), ☆ : For North American model only (UZ))

Packing Assembly Parts List

Symbol No.	Part No.	Description
■	101 01V74200F49	Assembly, Pamphlet
●	101 01V73300F30	Assembly, Pamphlet
▲	101 01V71900F97	Assembly, Pamphlet
□	101 01V71800F60	Assembly, Pamphlet
○	101 01V73300F35	Assembly, Pamphlet
△	101 01V73100F67	Assembly, Pamphlet (K-105)
☆	101 01V74200F49	Assembly, Pamphlet
	101-1 28T57397F01	Plug, Output
	or 28T70621F01	Plug, Output
■	101-2 68P70001F01	Owner's Manual
●	101-2 68P70001F01	Owner's Manual
▲	101-2 68P70001F51	Owner's Manual
□	101-2 68P70001F44	Owner's Manual
○	101-2 68P70001F44	Owner's Manual
△	101-2 68P70001F66	Owner's Manual
	102 56B40230G23	Sack, Polyethylene
■	103 56S60482F93	Carton, Packing
●	103 56S60482F93	Carton, Packing
▲	103 56S60482F93	Carton, Packing
□	103 56S71001F10	Carton, Packing
△	103 56S60482F95	Carton, Packing
○	103 56S71001F10	Carton, Packing
☆	103 56S71001F10	Carton, Packing
	104 56C70563F01	Tray, Packing

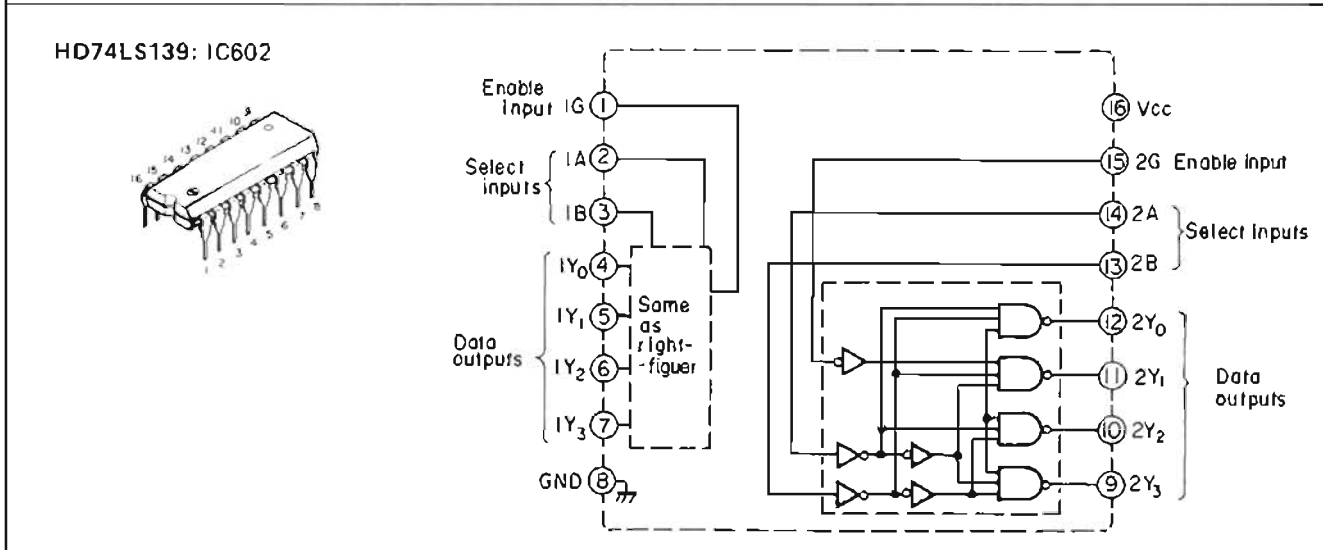
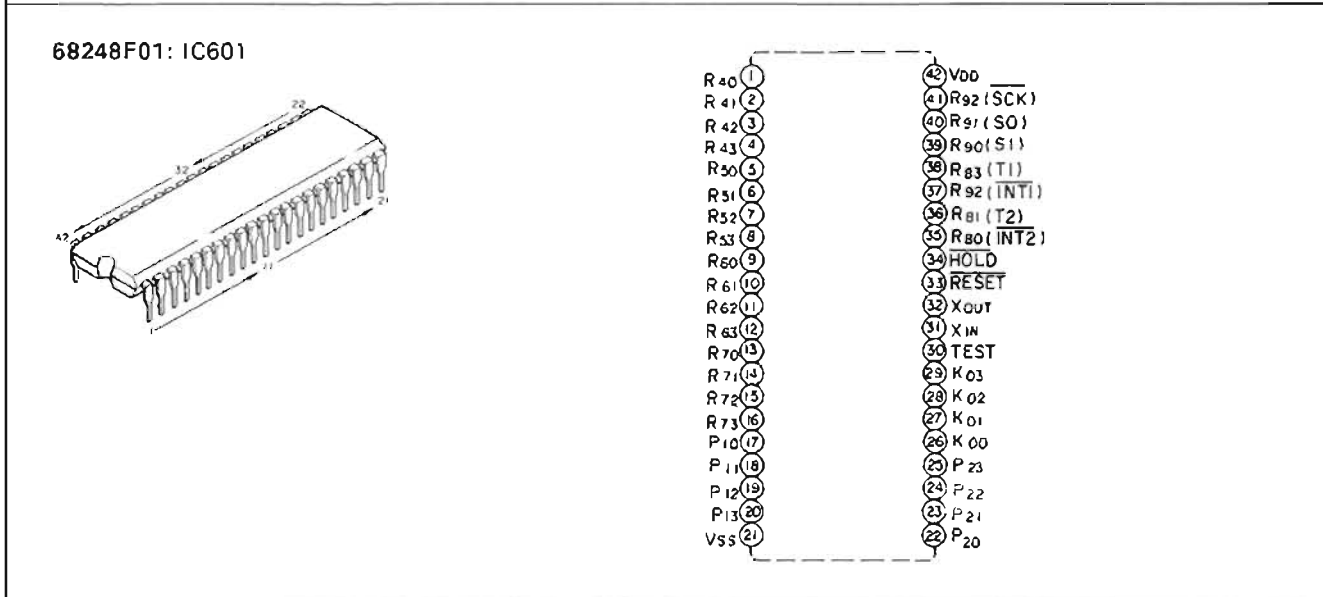
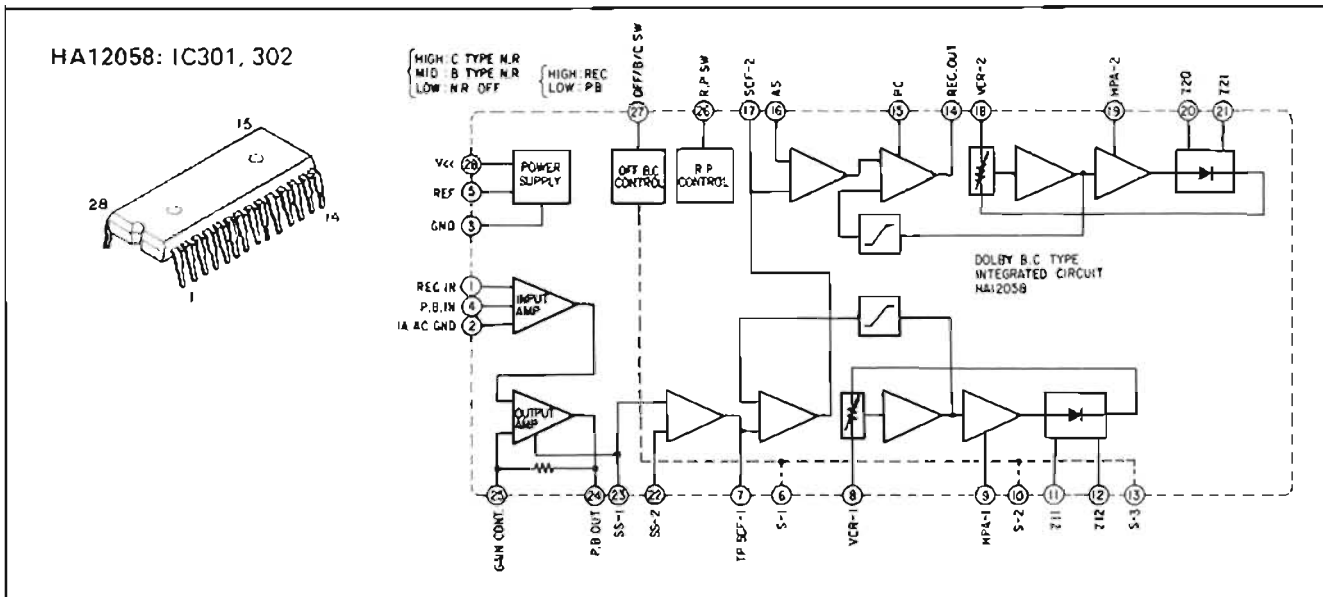
Symbol No.	Part No.	Description
Labels		
■	54B44257U01	Volt (220V)
●	54B44257U08	Volt (120V)
○	54B44257U08	Volt (120V)
☆	54B44257U06	Volt (120V)
	54B42124G08	Serial No.
	54B42124G02	Date Cord
▲	54A44912F01	"E" Number
■	54B57610F11	Serial No.
●	54B57610F34	Serial No.
▲	54B57610F34	Serial No.
□	54B57610F11	Serial No.
○	54B57610F34	Serial No.
☆	54B57610F34	Serial No.
●	54A57559F01	Side Caution
▲	54A57559F01	Side Caution
○	54A57559F01	Side Caution
☆	54A57559F01	Side Caution
●	54A57559F02	Bottom Caution
▲	54A57559F02	Bottom Caution
○	54A57559F02	Bottom Caution
☆	54A57559F02	Bottom Caution
●	54A44553G01	CSA
○	54A44553G01	CSA
●	54C44558J02	LL, NO
○	54C44558J02	LL, NO

Parts List by Specific Countries

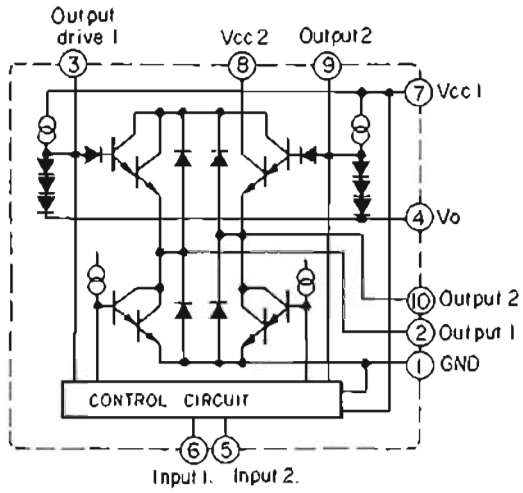
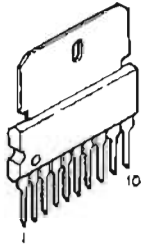
Sym- bol No.	Description	POWER SOURCE						
		K-405			K-105			
		SK ■	UQ ●	UC ▲	SK □	UQ ○	JA △	UZ ☆
		220V	120V	120V	220V	120V	100V	120V
Europe	Canada	North America	Europe	Canada	Japan	North America		
D629 or F101 P1 S301	Diode, MA165TA Diode, SS176TPA7 Fuse, Semko T-1A Plug, AC Cord Switch, Rotary	Not Used Not Used 65T42077U16 28T43812P03 40T70530F01	Not Used Not Used Not Used 28T40916U01 40T70531F01	Not Used Not Used Not Used 28T40916U01 40T70531F01	Not Used Not Used 65T42077U16 28T43812P03 40T70530F01	Not Used Not Used Not Used 28T40916U01 40T70531F01	Not Used Not Used Not Used 28T41871U01 40T70530F01	48T44813F01 48T58583F01 Not Used 28T40916U01 40T70531F01
S602 T1 1 4 5	Switch, Rotary Trans, Power Cover, Rear Screw Support, Cord	Not Used 25T70523F01 15D70547F01 03C40121T17 43B41625J02	Not Used 25T71350F01 15D70547F02 03C40121T13 43B41625J01	Not Used 25T70522F01 15D70547F02 03C40121T13 43B41625J01	Not Used 25T70523F01 15D70547F04 03C40121T13 43B41625J02	Not Used 25T71350F01 15D70547F05 03C40121T17 43B41625J01	40T70530F01 25T70521F01 15D70547F03 03C40121T13 43B41625J01	Not Used 25T70522F01 15D70547F05 03C40121T13 43B41625J01
15	Assembly, dbx P.C. Board	Not Used	※	※	Not Used	※	Not Used	※
16 19 26 27	Knob, Function Assembly, Logic Knob Knob, Power Assembly, Door Cover	36B70552F01 01V71200F44 36A56639F02 01V71200F48	36B70552F01 01V71200F44 36A56639F02 01V71200F48	36B70552F01 01V71200F44 36A56639F02 01V71200F48	36B70552F02 01V71800F61 36A67330F01 01V71800F58	36B70552F02 01V71800F61 36A67330F01 01V71800F58	36B70552F02 01V71800F61 36A67330F01 01V71800F58	36B70552F02 01V71800F61 36A67330F01 01V71800F58
28 29 30 31 32	Knob, Rotary Knob, Control Knob, Control Knob, Eject Assembly, Front Panel	36A70660F02 36A56005F02 36A55234F02 36A45474F07 01V71200F47	36A70660F02 36A56005F02 36A55234F02 36A45474F07 01V71900F98	36A70660F02 36A56005F02 36A55234F02 36A45474F07 01V71900F98	36A70620F01 36A56005F03 36A55234F03 36A45474F04 01V71800F59	36A70620F01 36A56005F03 36A55234F03 36A45474F04 01V73300F33	36A70620F01 36A56005F03 36A55234F03 36A45474F04 01V73100F65	36A70620F01 36A56005F03 36A55234F03 36A45474F04 01V73300F33
33 37 38 42 46	Cover, Top Frame Side Panel Frame Side Panel Screw Holder, Fuse	15C70608F01 07B67093F02 07B67093F03 03S71031F04 09T45548F01	15C70608F01 07B67093F02 07B67093F03 03S44205G57 Not Used	15C70608F01 07B67093F02 07B67093F03 03S71031F04 Not Used	15C70608F03 07B70554F01 07B70555F01 03S71031F04 09T45548F01	15C70608F03 07B70554F01 07B70555F01 03S44205G38 Not Used	15C70608F03 07B70554F01 07B70555F01 03S44205G38 Not Used	15C70608F03 07B70554F01 07B70555F01 03S44205G38 Not Used
47 101 101-2 103	Knob, Control Assembly, Pamphlet Owners, Manual Carton, Packing Label, Volt Label, Serial No. Label, Side Caution Label, Bottom Caution Label, CSA Label, LL No. Label, "E" Number	Not Used 01V71200V49 68P70001F01 56S60482F93 54B44257U01	Not Used 01V73300F30 68P70001F01 56S60482F93 54B44257U08	Not Used 01V71900F97 68P70001F51 56S60482F93 Not Used	Not Used 01V71800F60 68P70001F44 56S71001F10 Not Used	Not Used 01V73300F35 68P70001F44 56S71001F10 54B44257U08	36A56005F03 01V73100F67 68P70001F66 56S60482F95 Not Used	Not Used 01V74200F49 68P70001F66 56S71001F10 54B44257U06 54B57610F34 54A57559F01 54A57559F02 Not Used Not Used Not Used Not Used
		Not Used	Not Used	Not Used	Not Used	Not Used	Not Used	54A44912F01

Note: ※ The parts without part numbers are not supplied.

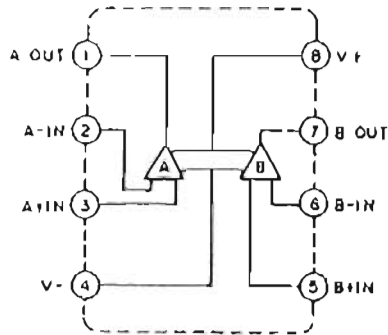
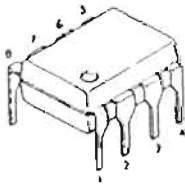
Semi-Conductor Lead Identifications



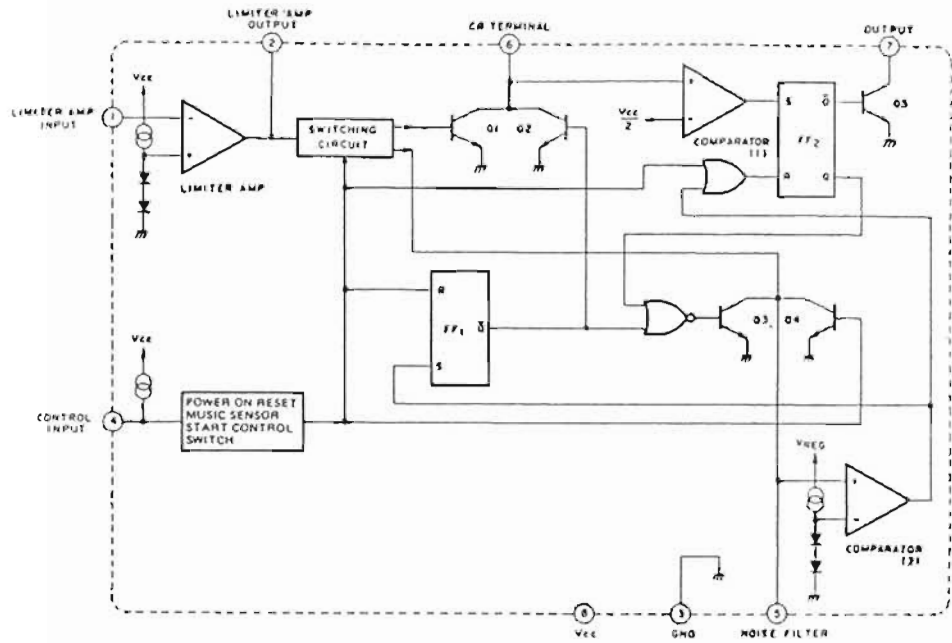
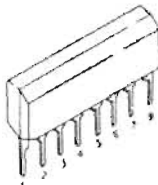
BA6229: IC603, 604



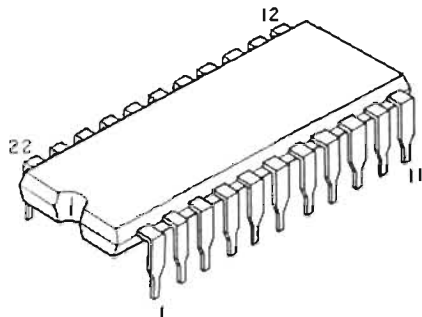
BA4558
μPC4558: IC951, 3002, 3102



M51143AL: IC957

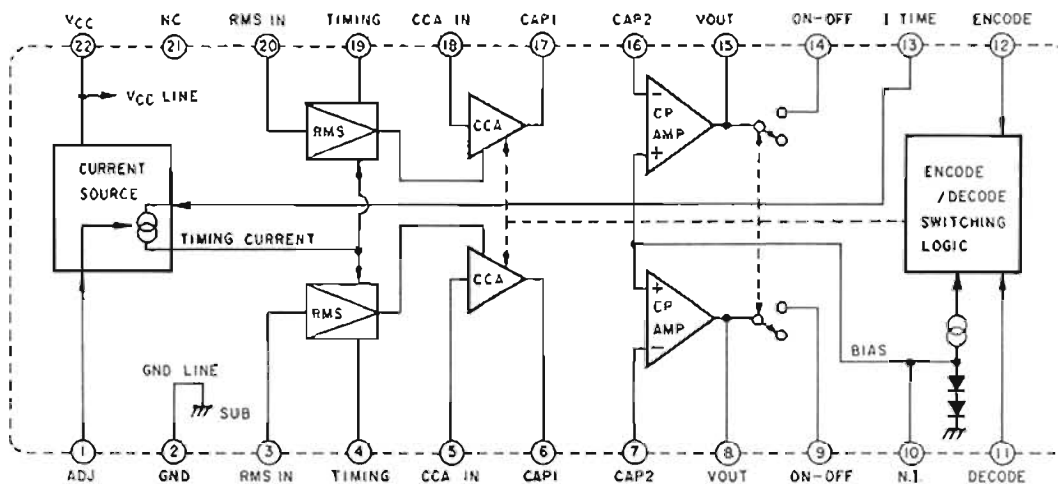


AN6291DBX: IC3001, 3101

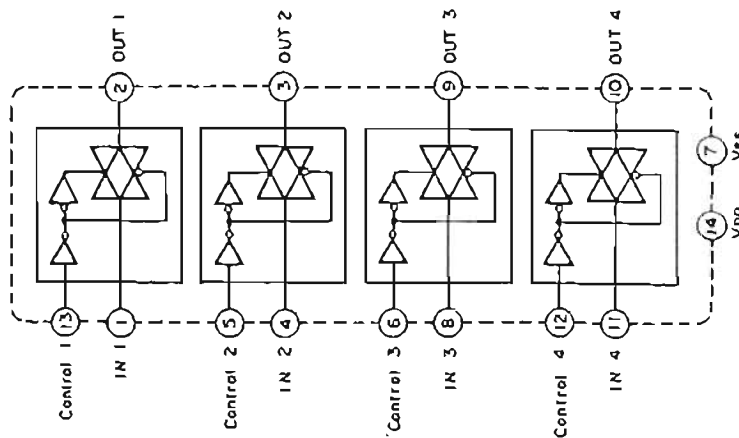
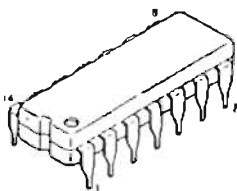


ENCODE / DECODE SWITCHING LOGIC CONDITIONS

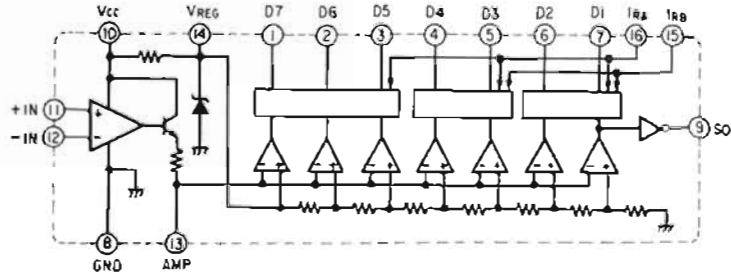
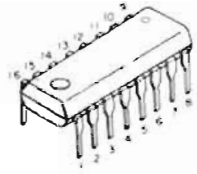
PIN 11	PIN 12	OPERATION MODE
V _{CC}	OPEN	DECODE
OPEN	V _{CC}	ENCODE
V _{CC}	V _{CC}	BIPAS



BU4066B
TC4066BP: IC3003



1R2E02: IC8101, 8102



2SD1406 : Q101, 102, 103
2SD1266



2SC1318 : Q104, 451, 452, 553
2SC2120 : Q551, 552
2SC1318 : Q551, 552
2SC1842 : Q201, 202, 203, 204, 509, 510
2SC1740 : Q205 ~ 210, 212, 301, 401, 402, Q501 ~ 506, 542, 554, 555, 580,
2SC1740 : Q581, 604 ~ 609, 615 ~ 620, 633,
2SC1815 : Q636, 901, 902, 905, 906, 909, Q951, 952, 955, 956, 3001 ~ 3004, Q3081 ~ 3084, 3101 ~ 3106
2SA933 : Q211, 213, 541, 611, 612, 613, 631, 632,
2SA1015 : Q635, 903, 907, 913 ~ 916, 953, 954
2SD1302 : Q241, 242, 453, 454, 507, 508
2SC1890 : Q243 ~ 246
2SC1980 : Q243 ~ 246
2SC1843 : Q908
2SA921 : Q910





LUX CORPORATION, JAPAN

2-3, 1-Chome, Minami-Yukigaya, Ohta-ku, Tokyo 145, JAPAN

Phone: 03-726-6211 Telex: 2466953LUXMAN Facsimile: 03-728-7609