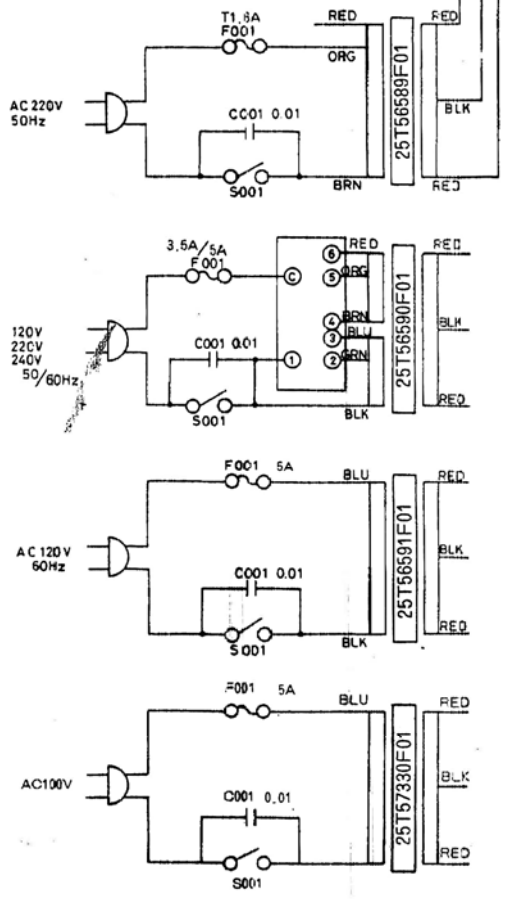


84D56592F

Symbol No.	L-230	L-230(SD)	L-400
J109	Jumper	150-1/4W	Jumper
J110	Jumper	150-1/4W	Jumper
J111	Jumper	150-1/4W	Jumper
J112	Jumper	150-1/4W	Jumper
J113	Jumper	150-1/4W	Jumper
J114	Jumper	150-1/4W	Jumper
J115	Jumper	150-1/4W	Jumper
J116	Jumper	150-1/4W	Jumper
J129	Jumper	470-1/4W	Jumper
J130	Jumper	470-1/4W	Jumper
J142	Jumper	Coil	Jumper
J143	Jumper	Coil	Jumper
J144	Jumper	Coil	Jumper
J145	Jumper	Coil	Jumper
C101a,b	47pF	1000pF	47pF
C102a,b	x	2200pF	x
C139a,b	x	0.01uF	x
C109a,b	x	150pF	x
C110a,b	x	150pF	x
C111a,b	x	150pF	x
C112a,b	x	150pF	x



Remarks
 1. Unless otherwise specified, all resistors are in OHM 1/4 watt, all capacitors in micro farad.
 2. Transistors and diodes may be replaced with any type having comparable ratings.
 3. Due to continued improvements LUX reserve the circuit or specifications.

L-230/400

