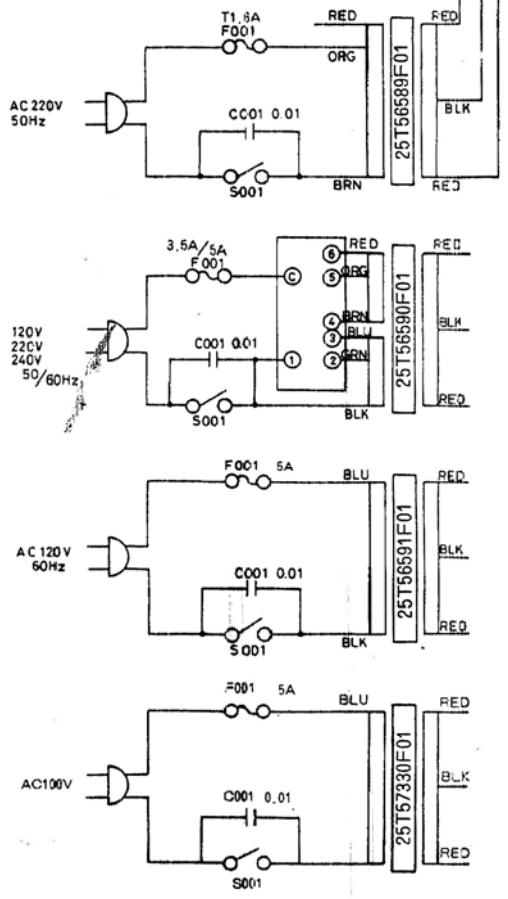


84D56592F

| Symbol No. | L-230 | L-230(SD) | L-400 |
|------------|--------|-----------|--------|
| J109 | Jumper | 150-1/4W | Jumper |
| J110 | Jumper | 150-1/4W | Jumper |
| J111 | Jumper | 150-1/4W | Jumper |
| J112 | Jumper | 150-1/4W | Jumper |
| J113 | Jumper | 150-1/4W | Jumper |
| J114 | Jumper | 150-1/4W | Jumper |
| J115 | Jumper | 150-1/4W | Jumper |
| J116 | Jumper | 150-1/4W | Jumper |
| J129 | Jumper | 470-1/4W | Jumper |
| J130 | Jumper | 470-1/4W | Jumper |
| J142 | Jumper | Coil | Jumper |
| J143 | Jumper | Coil | Jumper |
| J144 | Jumper | Coil | Jumper |
| J145 | Jumper | Coil | Jumper |
| C101a,b | 47pF | 1000pF | 47pF |
| C102a,b | x | 2200pF | x |
| C139a,b | x | 0.01uF | x |
| C109a,b | x | 150pF | x |
| C110a,b | x | 150pF | x |
| C111a,b | x | 150pF | x |
| C112a,b | x | 150pF | x |



Remarks
 1. Unless otherwise specified, all resistors are in OHM 1/4 watt, all capacitors in micro farad.
 2. Transistors and diodes may be replaced with any type having comparable ratings.
 3. Due to continued improvements LUX reserve the circuit or specifications.

L-230/400

