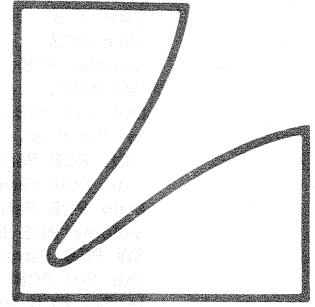


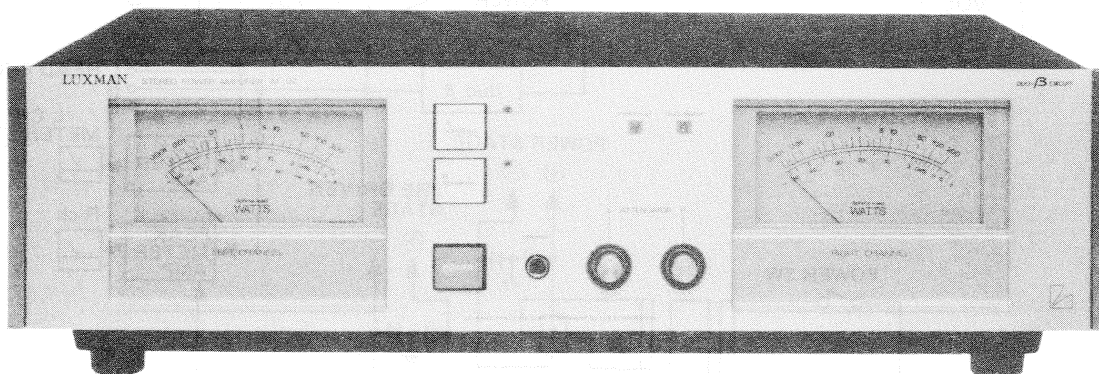
SERVICE MANUAL



Duo-Beta Circuit/S Separate Power Amplifier

M-02

M-02

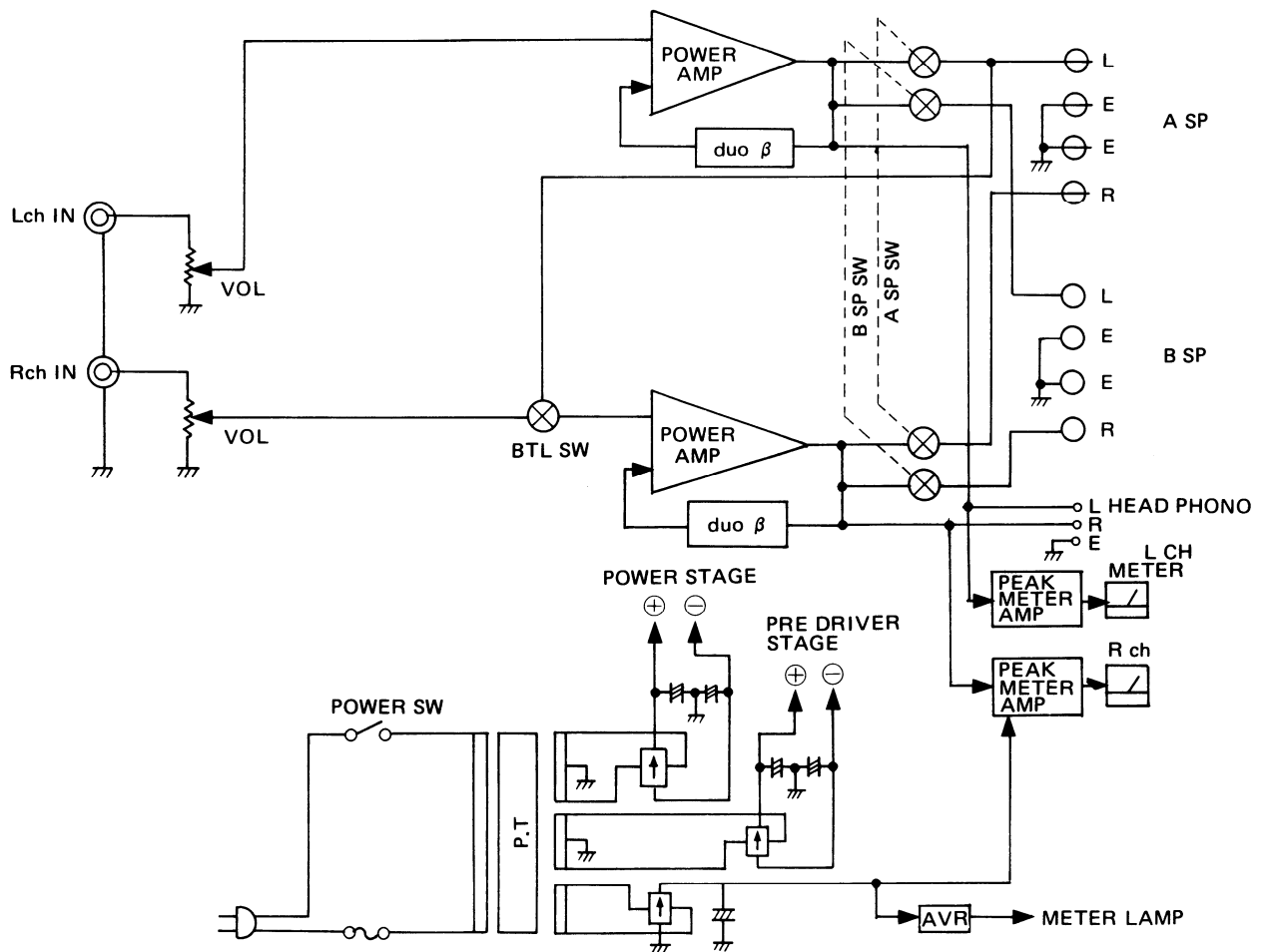


Contents

Block Diagram	1
Adjustment Procedures	2
Adjustment Locations	2
Exploded View	3
Exploded View Parts List	4, 5
Packing Material Parts List	6
ACC PCB	7
CAP PCB	7
Main PCB	7
Volume PCB	8
SW PCB	8
Out Put PCB	8
In Put PCB	8
ACC PCB Parts List	9
CAP PCB Parts List	9
Main PCB Parts List	9, 10
Volume PCB Parts List	10
SW PCB Parts List	11
Out Put PCB Parts List	11
In Put PCB Parts List	11
Schematic Diagram	12
Specifications	13

M-02

Block Diagram



Adjustment Procedures

- (1) **Setting Condition**
VR101a, b (Bias Adjusting Semifixed Resistor)-----Turn counter clockwise to the end.

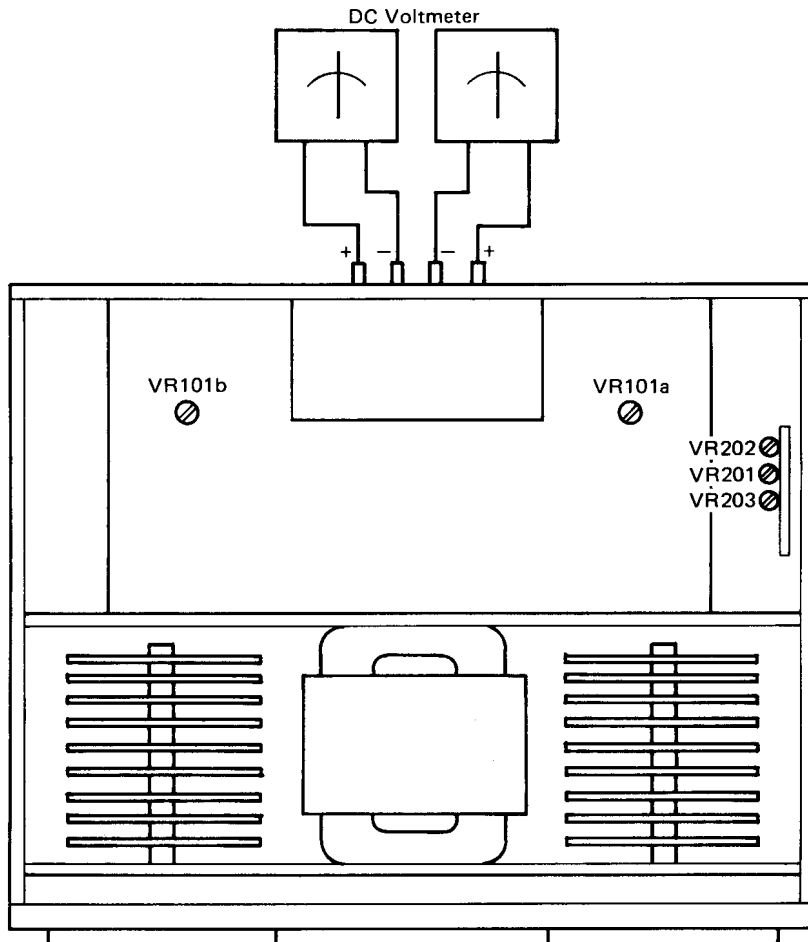
- (2) **DC Offset Adjustment**
Connect DC Voltmeter at speaker terminal.
Check to read $0V \pm 50mV$.

- (3) **Bias Voltage Adjustment**
Connect DC Voltmeter across emitter resistor. (R143a/L-ch, R143b/R-ch)
Adjust VR101a (L-ch) and VR101b (R-ch) to read $DC4.5mV \pm 0.5mV$ respectively.

- (4) **VU-Meter Adjustment**
Connect Signal Generator at input terminal of the unit.
And set at 1 kHz.
Adjust the output power of Signal Generator to obtain 34.64V(150W) at the output of the amp.
Then adjust VR203 (L-ch) and VR202 (R-ch) to show 0dB respectively on VU-Meters.
And reduce the output of signal generator by 30dB and adjust VR201 to make needle deflection same at both L-ch and R-ch (tolerance within 1dB in between)

M-02

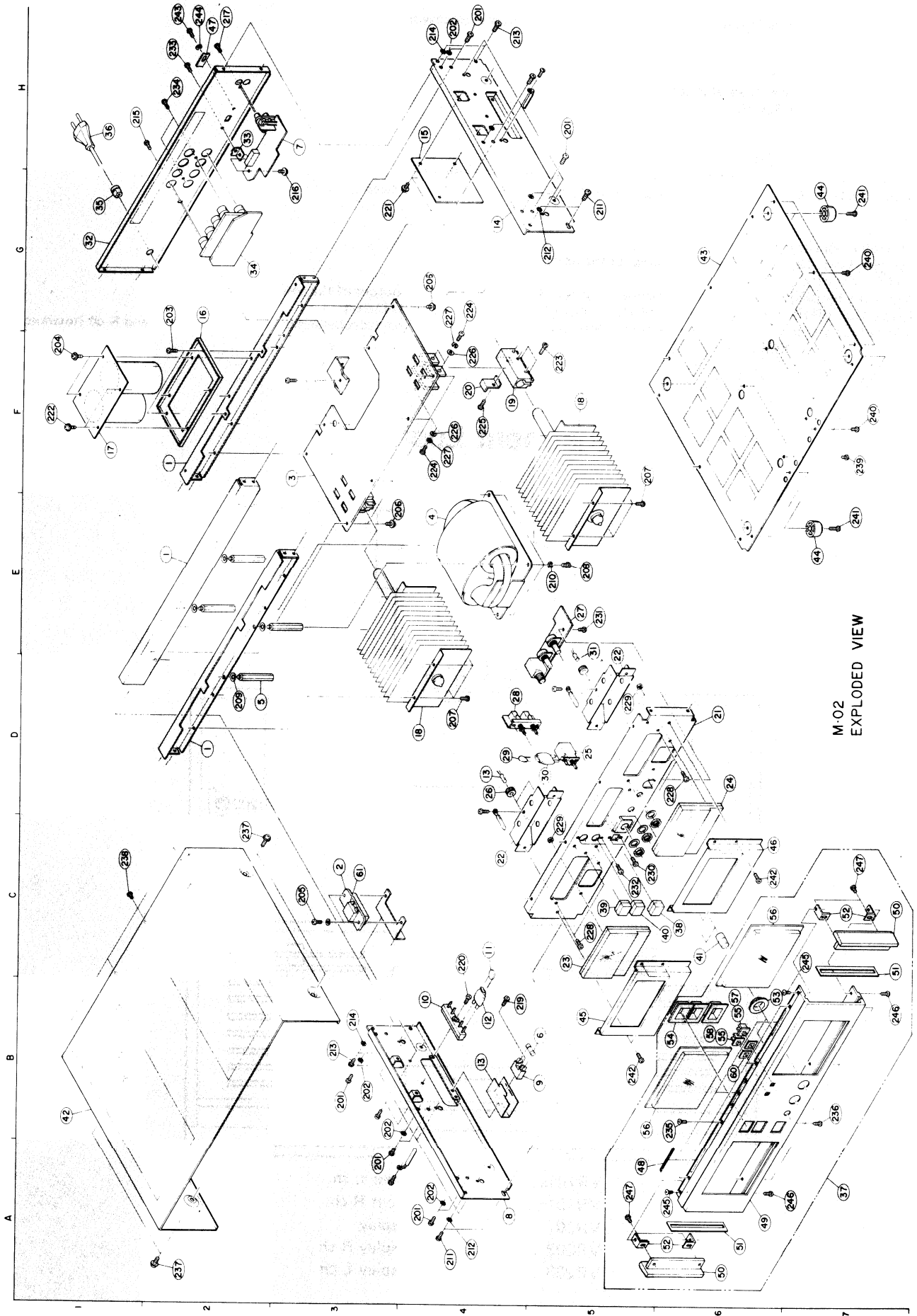
Adjustment Locations



- VR101a Bias Current L ch
- VR101b Bias Current R ch
- VR201 Meter Display
- VR202 Meter Display R ch
- VR203 Meter Display L ch

Exploded View

M-02



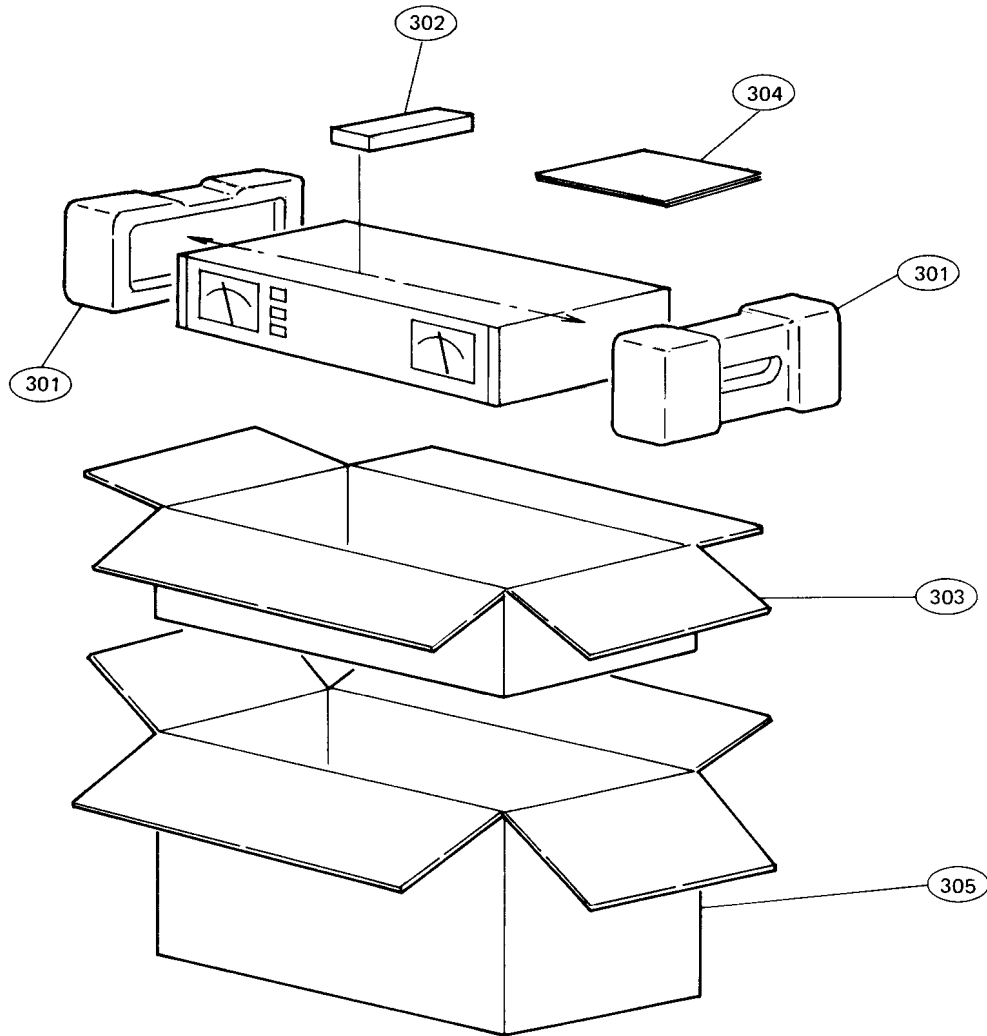
M-02
EXPLODED VIEW

Exploded View Parts List

Index	Symbol No.	Stock No.	Description	Remarks
D2, E2	1	07C61423F01	Bracket, Channel (1060)	
C3	2	09T51831F01	Socket, Switch M-1615	EK
F3	3	01V63100F08	Ass'y PCB, Main	
E4	4	25T61412F01	Trans, Power	SK, SG
		25T61412F02	Trans, Power	EK
D2	5	47B64899F05	Shaft, 1074	
B5	6	65T42077U21	Fuse Semko T3.15A	
H3	7	01V63100F14	Ass'y PCB, In Put	
A4	8	27C61427F01	Chassis, Side	
B5	9	09T51074F01	Fuse Holder	
B4	10	29T61409F01	Terminal T5608	
C4	11	08T57437F08	Capacitor 0.0047uF	
B4	12	43T53136F01	Bushing, Capacitor TP150-301	
B4, D4	13	43A57047F02	Spacer, Fuse	
G4	14	27C61427F02	Chassis, Side	
H4	15	01V63100F06	Ass'y PCB, ACC	
G2	16	07B61425F01	Bracket, Capacitor (1439)	
F1	17	01V63100F07	Ass'y PCB, Cap	
D4, F5	18	01C61428F01	Ass'y Heatpipe (1102)	
F4	19	07A61429F01	Heat Sink, (1103)	
F4	20	07A62428F01	Bracket, 1448	
D6	21	27C61430F01	Chassis, Front	
C4, E5	22	07B61431F01	Bracket, Lamp (1011)	
C5	23	72T61411F01	Meter, Power (L)	
D6	24	72T61411F02	Meter, Power (R)	
D5	25	40T57580F01	Switch Power SDGA1P	
D4	26	43A62016F02	Bushing, UB1177-2	
E5	27	01V63100F11	Ass'y PCB, Volume	
D4	28	01V63100F12	Ass'y PCB, Switch	
D4	29	08T57437F08	Capacitor 0.0047uF	
D5	30	43T53136F01	Bushing, Capacitor TP150-301	
E5	31	65T62442F01	Lamp, Pilot 12V-100MA	
G1	32	15C61433F01	Cover, Rear	
H2	33	07A60439F01	Bracket, 1425	
G2	34	01V63100F15	Ass'y PCB, Out put	
G1	35	43B41625J04	Stopper, Cord	SG
		43B41625J02	Support, Cord	SK, EK
H1	36	28T55003F01	Plug, AC Cord	SG
		28T43812P01	Plug, AC Cord	SK, EK
A7	37	01V63100F17	Ass'y Panel, Front	
C6	38	36B61434F01	Knob, Push 1161	
C5	39	36B61434F02	Knob, Push 1161	
C6	40	36B61434F03	Knob, Push 1161	
C6	41	36A61435F01	Knob, Volume. (1164)	
B1	42	15C61436F01	Cover, Top	
G6	43	15C61437F01	Cover, Bottom	
E7, G7	44	75A52969F01	Pad, Trann-Leg	
B5	45	64B61438F01	Panel, Meter	
C6	46	64B61438F02	Panel, Meter	
H2	47	07A61439F01	Support, Switch (1248)	
A5	48	14S53018F42	Insulator 50X5	
A6	49	64C61440F01	Panel, Front	
A6, C7	50	64B61441F01	Panel, Side	
A6, C7	51	43A61442F01	Spacer, Panel Side	
A6, C7	52	07A61443F01	Bracket, Panel Side(1440)	
B6	53	07A56645F01	Frame, Knob 1156	

Index	Symbol No.	Stock No.	Description	Remarks
B6	54	07B61445F01	Frame, Knob (1186)	
B6	55	61A61446F01	Crystal, Indicator (1126)	
B5, C6	56	61A61447F01	Crystal, Meter (1135)	
B6	57	48T60388F01	LED LD101MG	
B6	58	48T60388F03	LED LD-101 YY	
B6	60	07A61712F01	Frame, 1212	
C3	61	09T51830F01	Plug, Switch P-2120	EK
A3, A4	201	03S44205G49	Screw, T-Tite M4X8 Bind	
A4, B3	202	04S40072G03	Washer, Lock M4	
G2	203	03S44205G03	Screw, T-Tite M3X8	
F1	204	03S40036U02	Screw, T-Tite M3X8	
C3	205	03S40036U02	Screw, T-Tite M3X8 T.L	EK
E3, G4	206	03S40036U02	Screw, T-Tite M3X8	
D4, F5	207	03S44205G03	Screw, T-Tite M3X8	
E5	208	03C40014G36	Screw, MCH M5X10	
D2	209	04S40070G07	Washer 5X12X0.8	
E5	210	04S40071G07	Washer, Spring M5	
A4, G5	211	03S44205G49	Screw, T-Tite M4X8 Bind	
A4, G5	212	04S40072G03	Washer, Lock M4	
B3, H4	213	03S44205G49	Screw, T-Tite M4X8 Bind	
B3, H4	214	04S40072G03	Washer, Lock M4	
H1	215	03S40012G41	Screw, Tapping M3X8	
G3	216	03S40036U02	Screw, T-Tite M3X8	
H2	217	03S40012G41	Screw, Tapping M3X8	
B4	219	03S44205G03	Screw, T-Tite M3X8	
C4	220	03S44205G08	Screw, T-Tite M3X12	
G3	221	03S40036U02	Screw, T-Tite M3X8	
F1	222	03S40036U02	Screw, T-Tite M3X8	
F5	223	03A40155F03	Screw, MCH M3X16	
F4, G4	224	03A40155F04	Screw, MCH M3X10	
F4	225	03C40014G22	Screw, MCH M3X8	
F4	226	04S40071G05	Washer 3.1X5.9X0.7	
F4, G4	227	04S40070G05	Washer 3.3X8X0.5	
C5, D6	228	03S44205G03	Screw, T-Tite M3X8	
C5, D5	229	02B47353F02	Nut, Hex M3	
C5	230	03C40014G04	Screw, MCH M3X6	
E5	231	03S40036U02	Screw, T-Tite M3X8	
C5	232	03C40014G04	Screw, MCH M3X6	
H2	233	03S44205G02	Screw, T-Tite M3X6	
H2	234	03S40012G41	Screw, Tapping M3X8	
B6	235	03S44205G16	Screw, T-Tite M3X6	
B7	236	03S44205G03	Screw, T-Tite M3X8	
A2, C2	237	03S40036U01	Screw, T-Tite M4X8	
C1	238	03S44205G19	Screw, T-Tite M3X8	
F7	239	03S44205G49	Screw, T-Tite M4X8 Bind	
F7, G7	240	03S44205G03	Screw, T-Tite M3X8	
E7, G7	241	03S44205G49	Screw, T-Tite M4X8 Bind	
B5, C6	242	03S44205G03	Screw, T-Tite M3X8	
H2	243	03S44205G34	Screw, T-Tite M2.6X5	
H2	244	04S40070G22	Washer 2.6X7.5X0.5	
A6, C7	245	03S44205G16	Screw, T-Tite M3X6	
A7, B7	246	03S44205G01	Screw, T-Tite M3X6	
A5, C7	247	03S40012G41	Screw, Tapping M3X8	

Packing Material Parts List

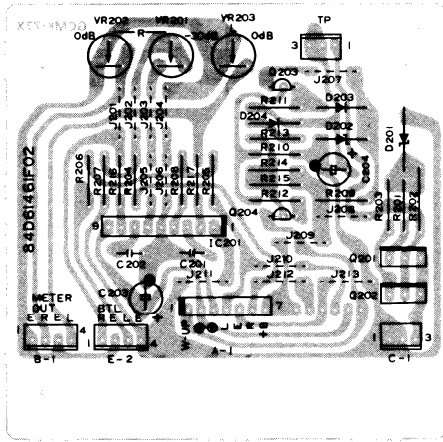


Packing Material Parts List

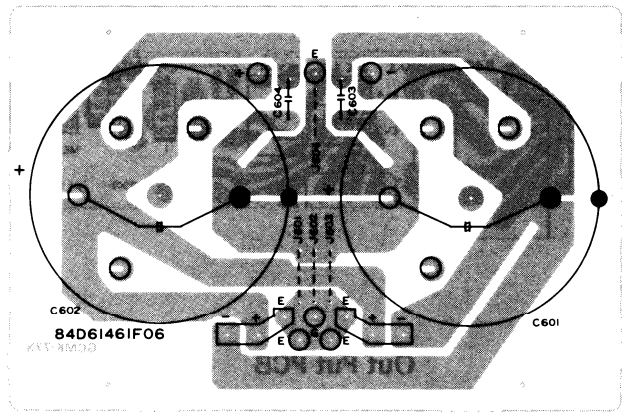
Index	Symbol No.	Stock No.	Description	Remarks
	301	56D61751F01	Packing Tray—XB 1067	
	302	56A61449F01	Packing Tray (1080)	
	303	56C58368F14	Carton, Packing	
	304	68R61450F01	Owner's Manual ME0278	
	305	56C58368F15	Carton, Packing	

PCB

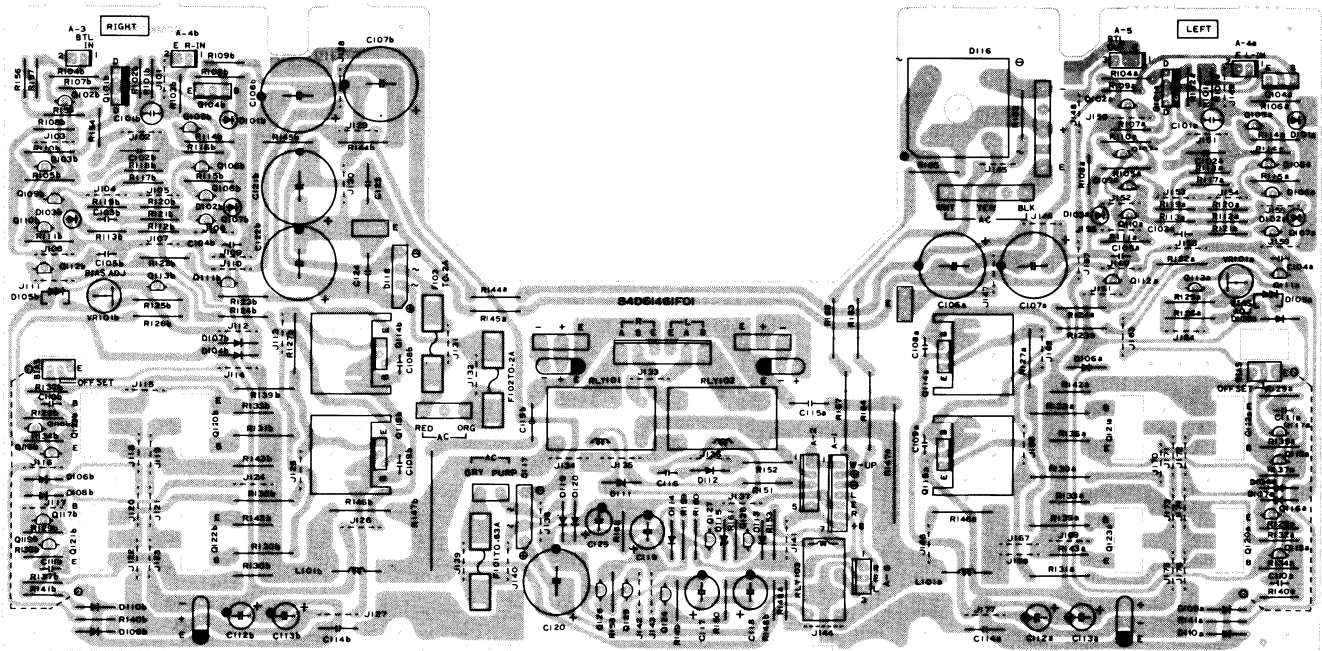
ACC PCB



CAP PCB



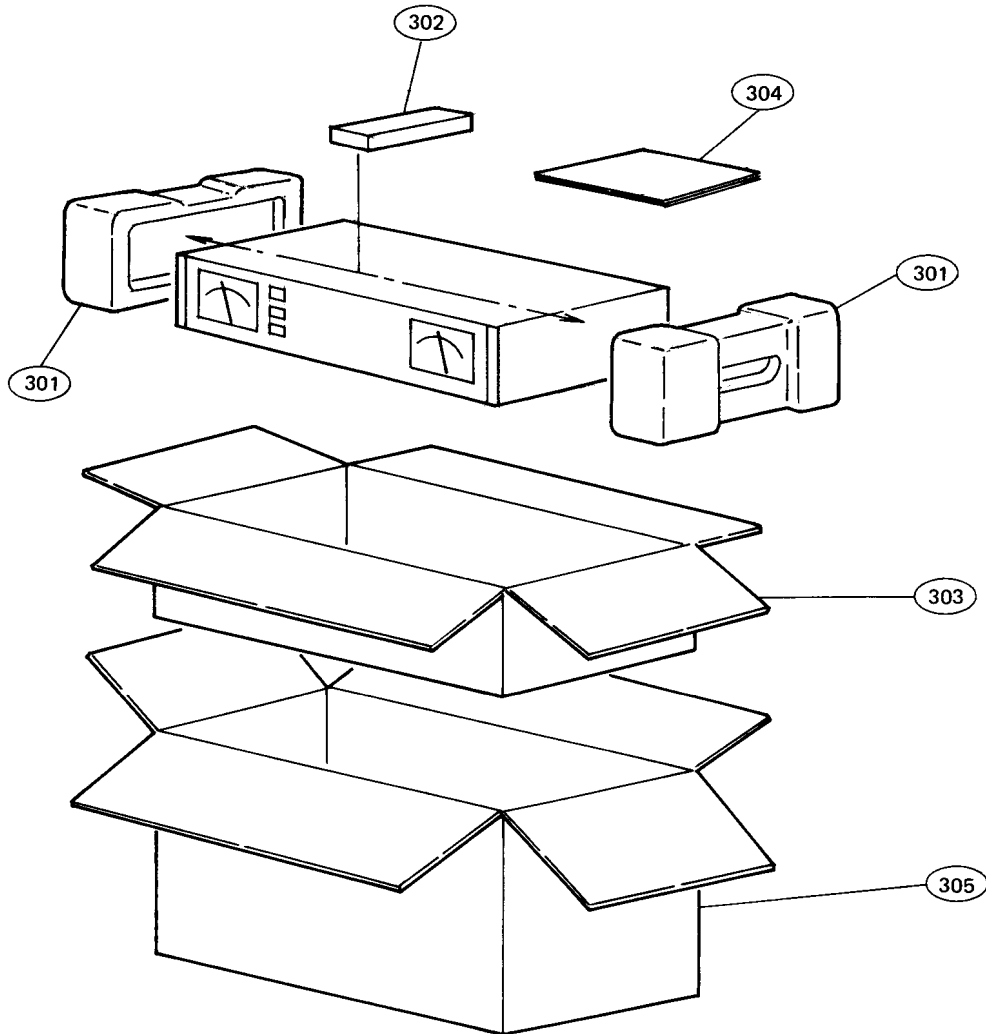
Main PCB



Remarks

Resistor: Rd ... Carbon, Rm ... Frame Proof, Rc ... Cement
 Capacitor: My ... Mylar, El ... Electrolytic, Mi ... Mica
 Pe ... Polyester, St ... Styrol, Ac ... AC

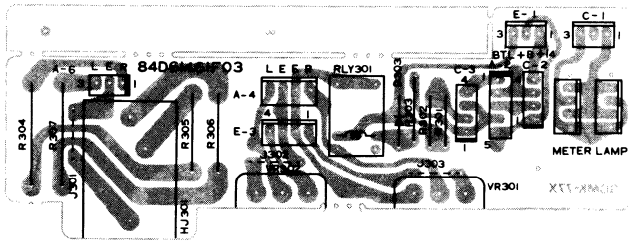
Packing Material Parts List



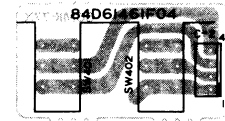
Packing Material Parts List

Index	Symbol No.	Stock No.	Description	Remarks
	301	56D61751F01	Packing Tray—XB 1067	
	302	56A61449F01	Packing Tray (1080)	
	303	56C58368F14	Carton, Packing	
	304	68R61450F01	Owner's Manual ME0278	
	305	56C58368F15	Carton, Packing	

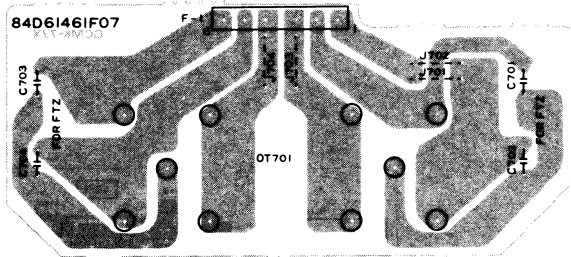
Volume PCB



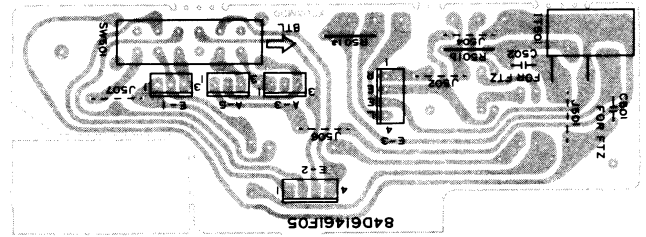
SW PCB



Out Put PCB



In Put PCB



PCB Parts List

ACC PCB Parts List

Symbol No.	Stock No.	Description
(Variable Resistor)		
VR201	18T61417F14	47K
VR202	18T61417F02	470
VR203	18T61417F02	470
(IC)		
IC201	51T53313F01	TA7318P-1
(Transistor)		
Q201	48T58614F01	2SD1406
Q202	48T58614F01	2SD1406
Q203	48T43014U01	2SA970-GR BL
Q204	48S43525F02	2SC1815-Y
(Diode)		
D201	48T52739F71	HZ12A-2 -AX
D202	48T52739F53	HZ 9A-2 -AX
D203	48T51117F01	1S1553
D204	48T51117F01	1S1553
(Capacitor)		
C201	08S40656F11	(My) 6800pF
C202	08S40656F11	(My) 6800pF
C203	23T51235F39	(EI) 47uF 25V
C204	23T51235F39	(EI) 47uF 25V
(Resistor)		
R201	06S44593P41	(Rd) 100Ω 1/4W
R202	06T55175F45	(Rm) 150Ω 1/2W
R203	06S44593P41	(Rd) 100Ω 1/4W
R204	06S44593P83	(Rd) 5.6KΩ 1/4W
R205	06S44593P83	(Rd) 5.6KΩ 1/4W
R206	06S44593P87	(Rd) 8.2KΩ 1/4W
R207	06S44593P87	(Rd) 8.2KΩ 1/4W
R208	06S44593P93	(Rd) 15KΩ 1/4W
R209	06S44593P69	(Rd) 1.5KΩ 1/4W
R210	06S44594P06	(Rd) 47KΩ 1/4W
R211	06S44594P42	(Rd) 1.5MΩ 1/4W
R212	06S44593P97	(Rd) 22KΩ 1/4W
R213	06S44594P06	(Rd) 47KΩ 1/4W
R214	06S44593P73	(Rd) 2.2KΩ 1/4W
R215	06S44593P73	(Rd) 2.2KΩ 1/4W
R216	06S44593P41	(Rd) 100Ω 1/4W
R217	06S44593P41	(Rd) 100Ω 1/4W

CAP PCB Parts List

Symbol No.	Stock No.	Description
(Capacitor)		
C601	23T61408F01	(EI) 15000uF 71V
C602	23T61408F01	(EI) 15000uF 71V
C603	08T61407F03	(Ac) 0.47uF 125V
C604	08T61407F03	(Ac) 0.47uF 125V

Main PCB Parts List

Symbol No.	Stock No.	Description
(Relay)		
RLY101	80T53350F01	G2Z-222P-US
RLY102	80T53350F01	G2Z-222P-US
RLY103	80T55298F01	G2V2-1004D

Symbol No.	Stock No.	Description
(Variable Resistor)		
VR101a,b	18C41732G11	220-B
(Coil)		
L101a,b	24T61413F01	Choke 2uH
(Transistor & FET)		
Q101a,b	48T61719F01	2SK389-BL
Q102a,b	48T60752F01	2SC2705 O,Y
Q103a,b	48T60752F01	2SC2705 O,Y
Q104a,b	48T60555F01	2SC3298 O,Y
Q105a,b	48S43525F02	2SC1815-Y
Q106a,b	48S43525F02	2SC1815-Y
Q107a,b	48T60752F01	2SC2705 O,Y
Q108a,b	48T60751F01	2SA1145 O,Y
Q109a,b	48T60751F01	2SA1145 O,Y
Q110a,b	48T60751F01	2SA1145 O,Y
Q111a,b	48T60751F01	2SA1145 O,Y
Q112a,b	48T60752F01	2SC2705 O,Y
Q113a,b	48T53301F01	2SC2240
Q114a,b	48T60556F01	2SA1306 O,Y
Q115a,b	48T60555F01	2SC3298 O,Y
Q116a,b	48S43525F02	2SC1815-Y
Q117a,b	48T51118F01	2SA1015-Y
Q118a,b	48T51118F01	2SA1015-Y
Q119a,b	48S43525F02	2SC1815-Y
Q120	48T60534F01	2SA1302 R,O
Q121	48T60533F01	2SC3281 R,O
Q122	48T60534F01	2SA1302 R,O
Q123	48T60533F01	2SC3281 R,O
Q124	48S43525F02	2SC1815 Y
Q125	48S43525F02	2SC1815 Y
Q126	48T51118F01	2SA1015-Y
Q127	48T53301F01	2SC2240
Q128	48T45274F01	2SC2120 O
(Diode & Zener & LED)		
D101a,b	48T40955T01	TLR124 RED
D102a,b	48T40955T01	TLR124 RED
D103a,b	48T40955T01	TLR124 RED
D104a,b	48T52198F01	1S2462
D105a,b	48T53389F01	STV-2H
D106a,b	48T52198F01	1S2462
D107a,b	48T51117F01	1S1553
D108a,b	48T51117F01	1S1553
D109a,b	48T51117F01	1S1553
D110a,b	48T51117F01	1S1553
D111	48T55186F01	GP10D -AX
D112	48T55186F01	GP10D -AX
D113	48T55186F01	GP10D -AX
D114	48T51117F01	1S1553
D115	48T52739F35	HZ 6A-2 -AX
D116	48T61416F03	10G4B41
D117	48T61415F01	1B4B41
D118	48T61415F03	1G4B41
D119	48T55186F01	GP10D -AX
D120	48T55186F01	GP10D -AX
(Capacitor)		
C101a,b	08T61630F18	(St) 100pF
C102a,b	08T61407F07	(Ac) 2.2uF 125V
C103a,b	08T61642F06	(Mi) 10pF 500V

Symbol No.	Stock No.	Description
C104a,b	08T61642F20	(Mi) 47pF 500V
C105a,b	08T61642F20	(Mi) 47pF 500V
C106a,b	23T00029L74	(El) 470uF 100V
C107a,b	23T00029L74	(El) 470uF 100V
C108a,b	08T61642F27	(Mi) 100pF 500V
C109a,b	08T61642F27	(Mi) 100pF 500V
C110a,b	08S40656F01	(My) 1000pF
C111a,b	08S40656F01	(My) 1000pF
C112a,b	23T43197F94	(El) 10uF 100V
C113a,b	23T43197F94	(El) 10uF 100V
C114a,b	08T51403F03	(Pe) 0.01uF
C115a,b	08T51403F02	(Pe) 0.047uF
C116	08S40656F13	(My) 10000pF
C117	23T00030L45	(El) 100uF 25V
C118	23T00030L45	(El) 100uF 25V
C119	23T00030L25	(El) 22uF 25V
C120	23T00029L89	(El) 3300uF 16V
C121	23T00029L74	(El) 470uF 100V
C122	23T00029L74	(El) 470uF 100V
C123	08T61407F05	(Ac) 1.0uF 125V
C124	08T61407F05	(Ac) 1.0uF 125V
C125	23T00030L11	(El) 4.7uF 25V
(Resistor)		
R101a,b	06S44593P57	(Rd) 470Ω 1/4W
R102a,b	06S44593P41	(Rd) 100Ω 1/4W
R103a,b	06S44594P30	(Rd) 470KΩ 1/4W
R104a,b	06T55175F41	(Rm) 100Ω 1/2W
R105a,b	06T55175F45	(Rm) 150Ω 1/2W
R106a,b	06T55175F45	(Rm) 150Ω 1/2W
R107a,b	06S44594P03	(Rd) 36KΩ 1/4W
R108a,b	06S44594P26	(Rd) 330KΩ 1/4W
R109a,b	06S44594P08	(Rd) 56KΩ 1/4W
R110a,b	06T55175F41	(Rm) 100Ω 1/2W
R111a,b	06T55175F45	(Rm) 150Ω 1/2W
R112a,b	06S44594P01	(Rd) 30KΩ 1/4W
R113a,b	06S44594P07	(Rd) 51KΩ 1/4W
R114a,b	06T55175F37	(Rm) 68Ω 1/2W
R115a,b	06T55175F37	(Rm) 68Ω 1/2W
R116a,b	06S44593P47	(Rd) 180Ω 1/4W
R117a,b	06S44594P54	(Rd) 4.7MΩ 1/4W
R118a,b	06S44593P67	(Rd) 1.2KΩ 1/4W
R119a,b	06S44593P67	(Rd) 1.2KΩ 1/4W
R120a,b	06S44593P67	(Rd) 1.2KΩ 1/4W
R121a,b	06S44593P67	(Rd) 1.2KΩ 1/4W
R122a,b	06T55175F59	(Rm) 560Ω 1/2W
R123a,b	06T55175F41	(Rm) 100Ω 1/2W
R124a,b	06T55175F41	(Rm) 100Ω 1/2W
R125a,b	06T55175F57	(Rm) 470Ω 1/2W
R126a,b	06T55175F71	(Rm) 1.8KΩ 1/2W
R127a,b	06T55177F41	(Rm) 100Ω 1W
R128a,b	06S44594P06	(Rd) 47KΩ 1/4W
R129a,b	06S44594P06	(Rd) 47KΩ 1/4W
R130a,b	06T55177F09	(Rm) 4.7Ω 1W
R131a,b	06T55177F09	(Rm) 4.7Ω 1W
R132a,b	06S44593P50	(Rd) 240Ω 1/4W
R133a,b	06T60132F02	(Rc) 0.22Ω 5W
R134a,b	06S44593P65	(Rd) 1KΩ 1/4W
R135a,b	06S44593P65	(Rd) 1KΩ 1/4W

Symbol No.	Stock No.	Description
R136a,b	06T60132F02	(Rc) 0.22Ω 5W
R137a,b	06S44593P50	(Rd) 240Ω 1/4W
R138a,b	06T55177F09	(Rm) 4.7Ω 1W
R139a,b	06T55177F09	(Rm) 4.7Ω 1W
R140a,b	06S44593P97	(Rd) 22KΩ 1/4W
R141a,b	06S44593P97	(Rd) 22KΩ 1/4W
R142a,b	06T60132F02	(Rc) 0.22Ω 5W
R143a,b	06T60132F02	(Rc) 0.22Ω 5W
R144a,b	06T55175F35	(Rm) 56Ω 1/2W
R145a,b	06T55175F35	(Rm) 56Ω 1/2W
R146a,b	06T55177F09	(Rm) 4.7Ω 1W
R147a,b	06T56661F29	(Rm) 33Ω 3W
R148a,b	06S44593P97	(Rd) 22KΩ 1/4W
R149	06S44593P87	(Rd) 8.2KΩ 1/4W
R150	06S44593P89	(Rd) 10KΩ 1/4W
R151	06T55175F31	(Rm) 39Ω 1/2W
R152	06T55175F31	(Rm) 39Ω 1/2W
R153	06T55175F33	(Rm) 47Ω 1/2W
R154	06S44593P67	(Rd) 1.2KΩ 1/4W
R155	06S44593P67	(Rd) 1.2KΩ 1/4W
R156	06S44593P67	(Rd) 1.2KΩ 1/4W
R157	06S44593P67	(Rd) 1.2KΩ 1/4W
R158	06S44594P02	(Rd) 33KΩ 1/4W
R159	06S44594P24	(Rd) 270KΩ 1/4W
R160	06S44593P81	(Rd) 4.7KΩ 1/4W
R161	06S44593P89	(Rd) 10KΩ 1/4W
R162	06T55175F31	(Rm) 39Ω 1/2W
R163	06T55177F63	(Rm) 820Ω 1W
R164	06T55179F71	(Rm) 1.8KΩ 2W
R165	06T55175F31	(Rm) 39Ω 1/2W
R166	06T55177F63	(Rm) 820Ω 1W
R167	06T55179F71	(Rm) 1.8KΩ 2W
R168	06S44593P77	(Rd) 3.3KΩ 1/4W

Volume PCB Parts List

Symbol No.	Stock No.	Description
(Jack)		
HJ301	09T45549F12	Mic 6.3 (Metal)
(Relay)		
RL301	80B42571P03	(G2E) 12V
(Variable Resistor)		
VR301	18T61420F01	K16110 50K
VR302	18T61420F01	K16110 50K
(Diode)		
D303	48T55186F01	GP10D -AX
(Resistor)		
R301	06S44593P73	(Rd) 2.2KΩ 1/4W
R302	06S44593P73	(Rd) 2.2KΩ 1/4W
R303	06T55175F35	(Rm) 56Ω 1/2W
R304	06T55179F53	(Rm) 330Ω 2W
R305	06T55177F45	(Rm) 150Ω 1W
R306	06T55177F45	(Rm) 150Ω 1W
R307	06T55179F53	(Rm) 330Ω 2W

SW PCB Parts List

Symbol No.	Stock No.	Description
(Switch)		
SW401,402	40T61418F01	SUN24

Out Put PCB Parts List

Symbol No.	Stock No.	Description
(Terminal)		
OT701	09T60544F02	Terminal,SP

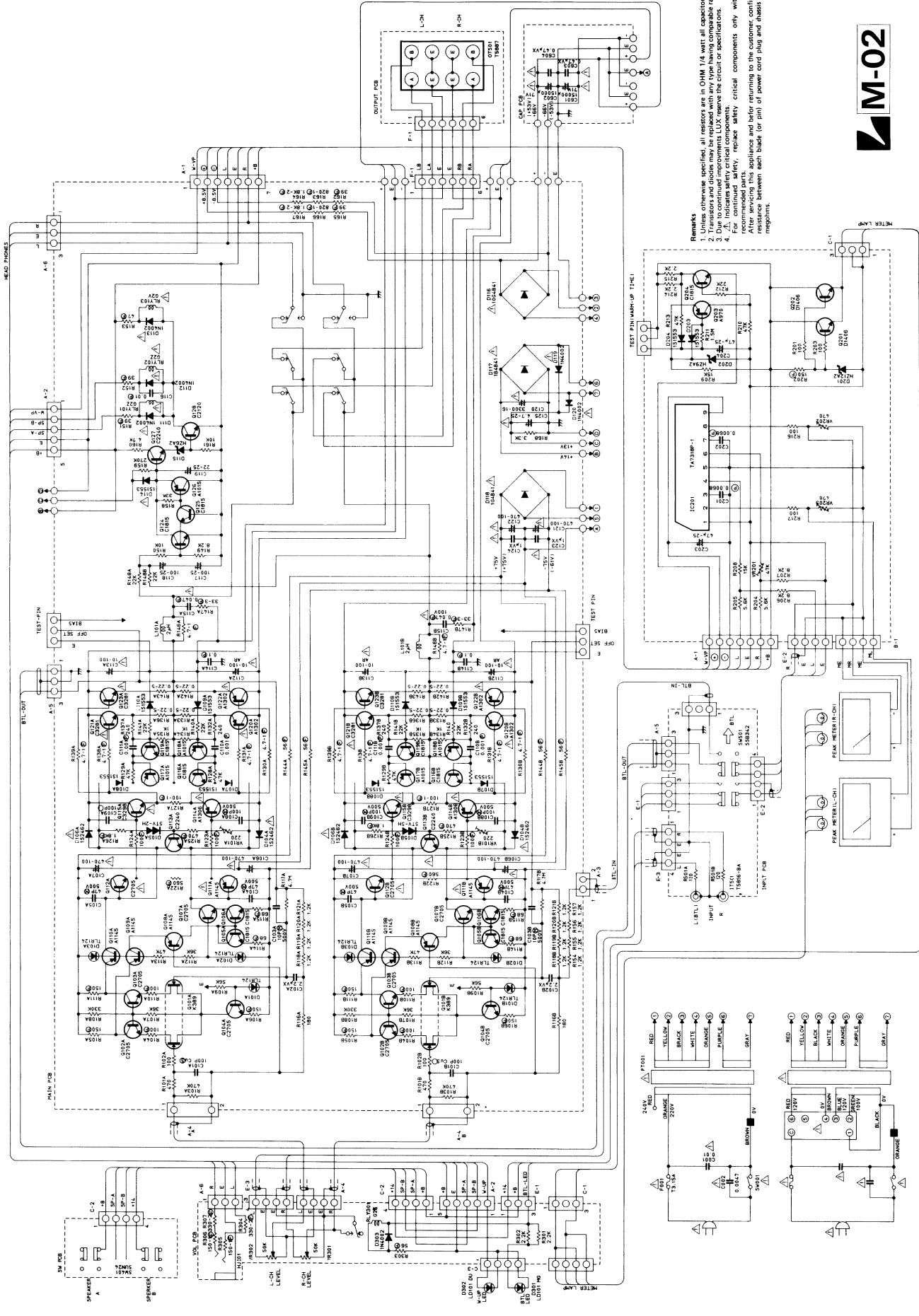
Input PCB Parts List

Symbol No.	Stock No.	Description
(Terminal)		
IT501	09T61410F01	T5856-AAAC
(Switch)		
SW501	40T61419F01	SSB342
(Resistor)		
R501a,b	06S44593P43	(Rd) 120Ω 1/4W

Destination's Parts List

Symbol No.	Description	SK Europe Etc. 220V	SG England Australia 240V	EK Asia Etc. 220V
2	Socket, SW M-1615	None Use	None Use	09T51831F01
4	Trans, Power	25T61412F01	25T61412F01	25T61412F02
35	Stooper, Cord	43B41625J02	43B41625J04	43B41625J02
36	Plug, AC Cord	28T43812P01	28T55003F01	28T43812P01
61	Plug, SW P-2120	None Use	None Use	09T51830F01
205	Scr, T-tite M3 x 8	None Use	None Use	03S40036U02

Schematic Diagram



Remarks
1. Unless otherwise specified, all resistors are in OHM 1/4 watt all capacitors in micro farad.
2. Due to continued improvements LUX reserve the circuit or specifications.
3. For continued safety, replace safety critical components only with manufacturer's
4. After servicing this appliance and before returning to the customer, confirm the insulation
resistance between each blade (or pin) of power cord plug and chassis is more than 10
megohms.



Specifications

Power Output:	150 watts per channel, into 8 ohms load, with no more than 0.012% total harmonic distortion
BTL (Duo-Alpha) Connection	
Output:	320 watts
Rated I.M.:	no more than 0.012% (8 ohms, 150W/ch, 60Hz: 7kHz = 4 : 1)
Input Sensitivity:	1.2V
Input Impedance:	45K ohms
Signal-to-Noise Ratio:	better than 120 dB (IHF-A weighted, input short-circuited)
Frequency Response:	5Hz – 100,000Hz (within – 1 dB)
Damping Factor:	100
Additional Features:	Level Indicator, Speaker Selector, Input Level Set, Headphone Jack, Selector for BTL Duo-Alpha Connection.
Dimensions:	453 (W) x 336 (D) x 141 (H) mm metal cabinet (17-7/8" x 13-7/32" x 5-9/16")
Weight:	Net 14.5 kgs (32 lbs.)

Specifications and appearance design subject to change without notice.