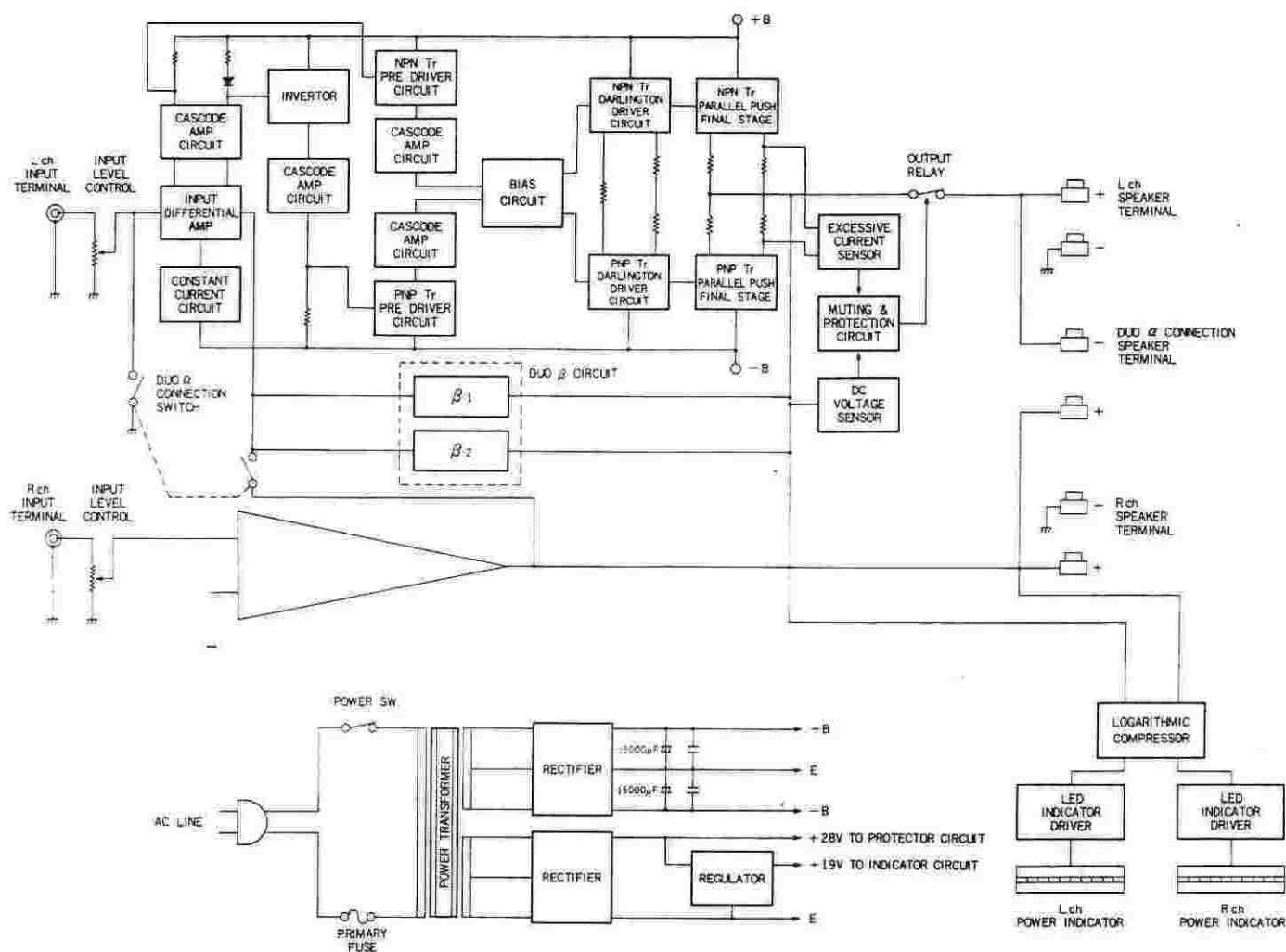


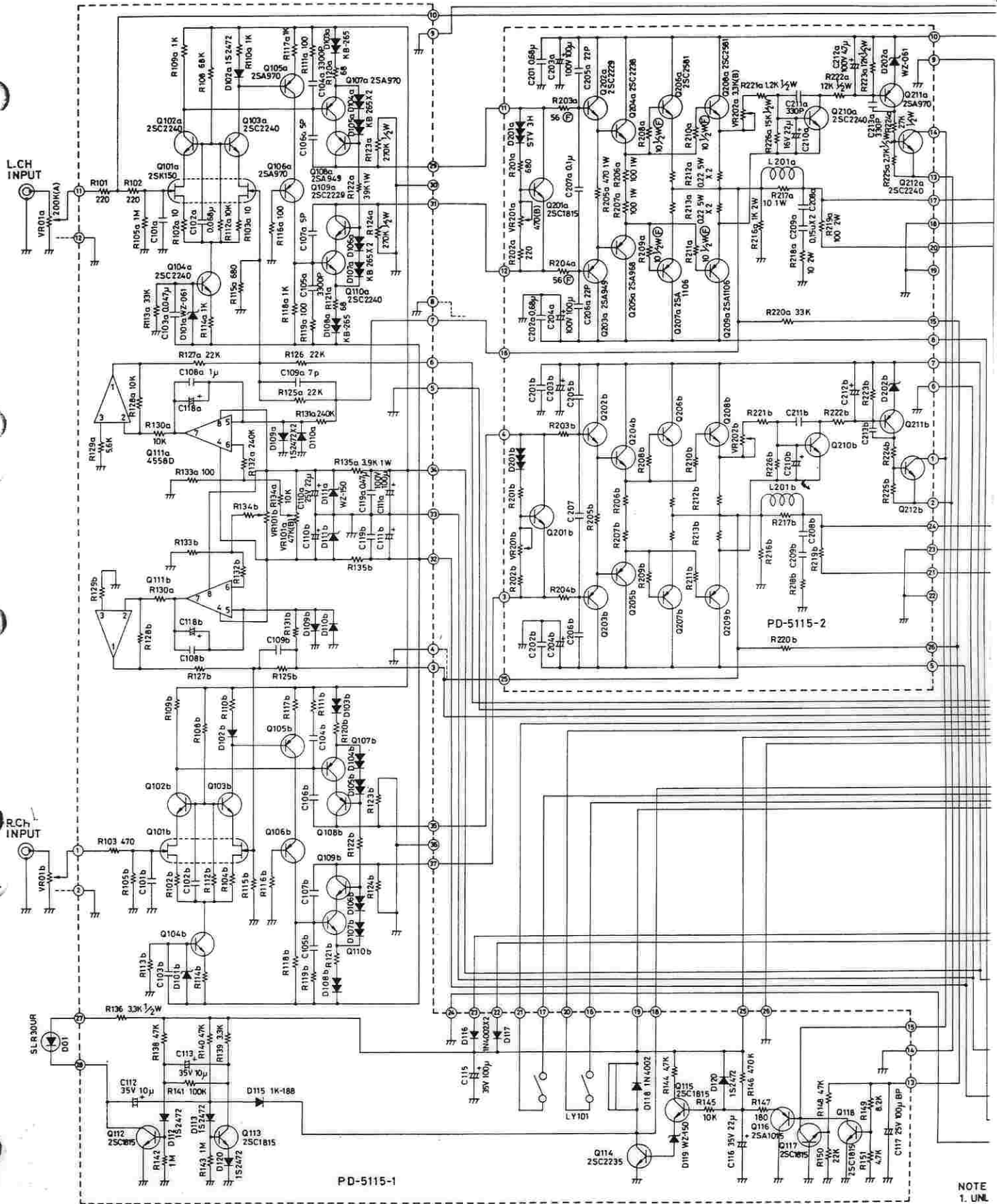
BLOCK DIAGRAMME



SPECIFICATIONS

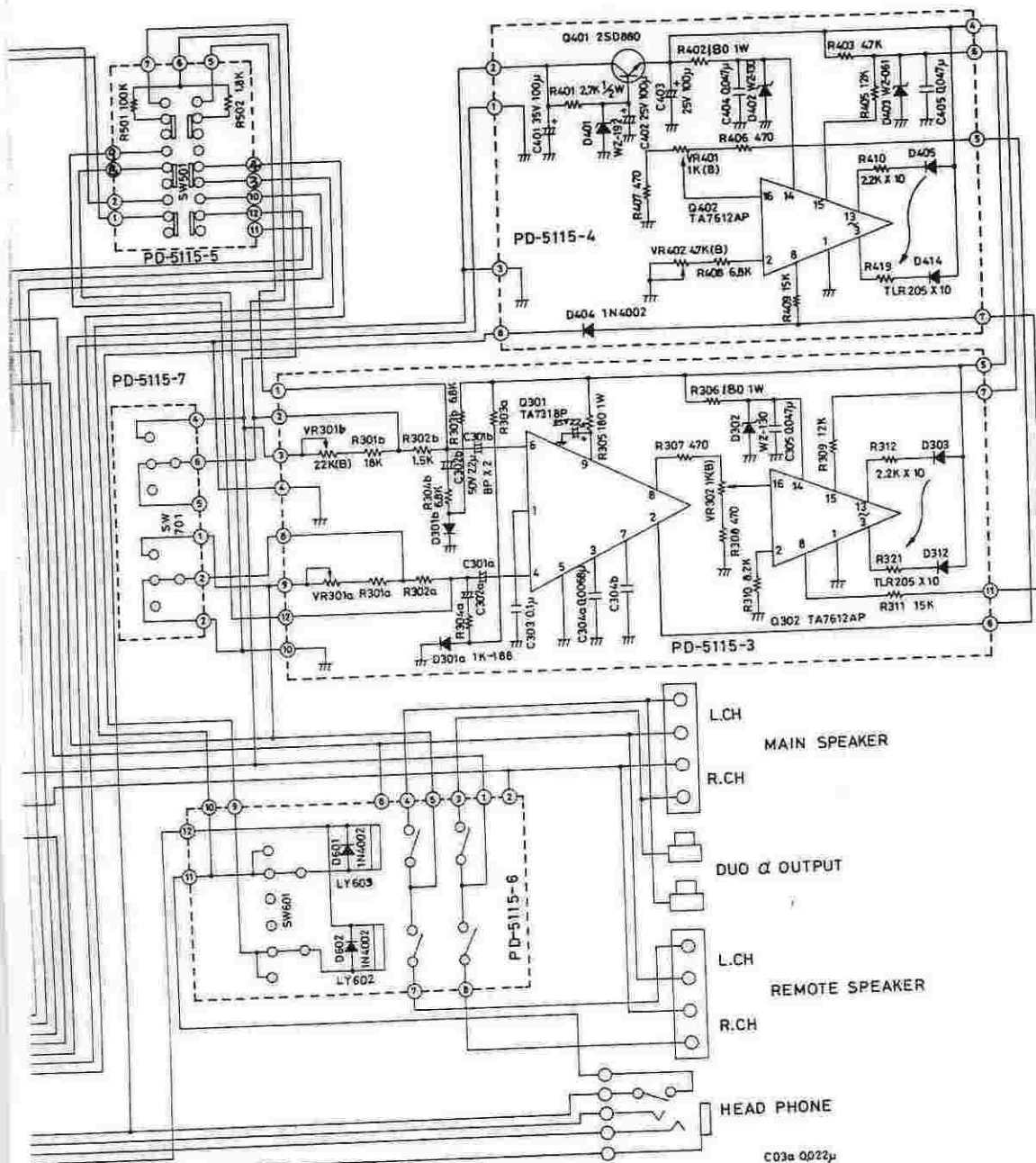
Power Output:	120 watts minimum continuous per channel, both channels driven into 8 ohms load, at any frequency from 20Hz to 20,000Hz with no more than 0.015% total harmonic distortion.
Duo-Alpha Connection Output:	300 watts into 8 ohms load with no more than 0.03% total harmonic distortion.
Rated I.M.:	no more than 0.01% (8 ohms, 120W/ch, 60Hz : 7kHz = 4 : 1)
Input Sensitivity:	900 mV
Input Impedance:	160K ohms
Signal-to-Noise Ratio:	better than 110 dB (IHF-A weighted, input short-circuited)
Frequency Response:	10 Hz — 100,000Hz (within -1 dB)
Damping Factor:	50
Additional Features:	Power Indicator, Power Indicator Sensitivity Selector (full, off, 1/100), Speaker Selector, Input Level Set, Headphone Jack, Selector for Duo-Alpha Connection.
Power Consumption:	120V 5A 480W (120W, 8 ohms load)
Dimensions:	464(W) x 336(D) x 176(H) mm wooden case (18-1/4" x 13-7/32" x 6-15/16") 438(W) x 336(D) x 141(H) mm metal cabinet (17-1/4" x 13-7/32" x 5-9/16")
Weight:	Net 13.8 kgs (30.4 lbs.) wooden case Gross 15.3 kgs (33.7 lbs.) Net 14.2 kgs (31.2 lbs.) metal cabinet Gross 15.7 kgs (34.5 lbs.)

Specifications and appearance design subject to change without notice.

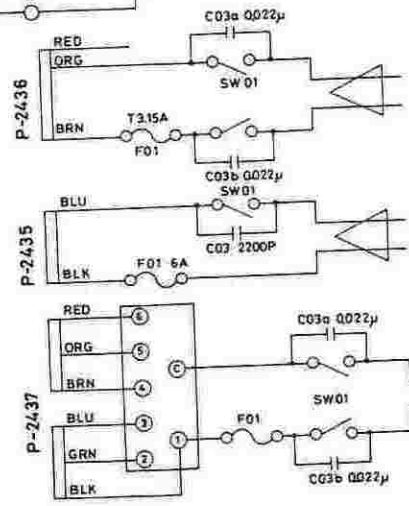
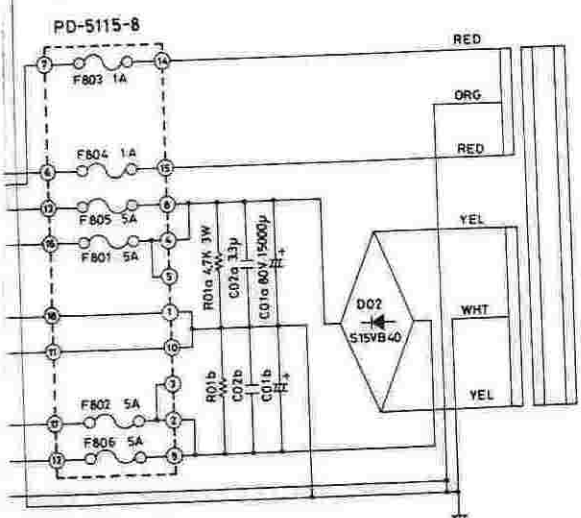


PD-5115-1

NOTE
 1. UNL
 ALL
 2. TRA
 CON
 3. DUE
 THE



LCH
MAIN SPEAKER
R.CH
DUO α OUTPUT
LCH
REMOTE SPEAKER
R.CH
HEAD PHONE



S-MODEL
AC 220V (AC240V)
50Hz

U-MODEL
AC 120V 60Hz

E-MODEL
AC 50/60Hz
F01
100/120V 6A-125V
220/240V T315A-250V

SS OTHERWISE SPECIFIED, ALL RESISTORS ARE IN OHM/1/4 WATT.
CAPACITORS ARE IN FARAD.
TRANSISTORS AND DIODES MAY BE REPLACED WITH ANY TYPE HAVING
EQUIVALENT RATINGS.
TO CONTINUED IMPROVEMENTS LUX RESERVE THE RIGHT TO ALTER
CIRCUIT OR SPECIFICATION.

