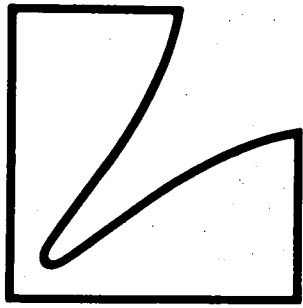
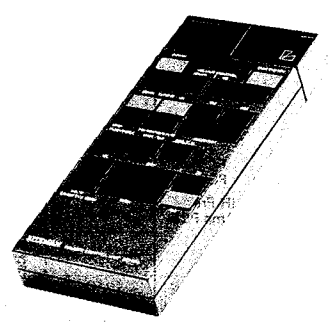
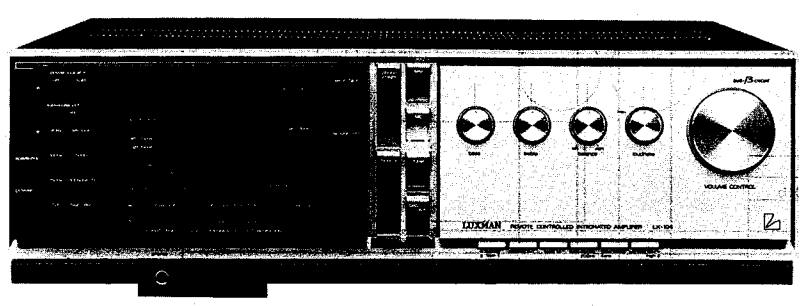


SERVICE MANUAL



Duo-Beta Integrated Stereo Amplifier **LX-104/RC-104**

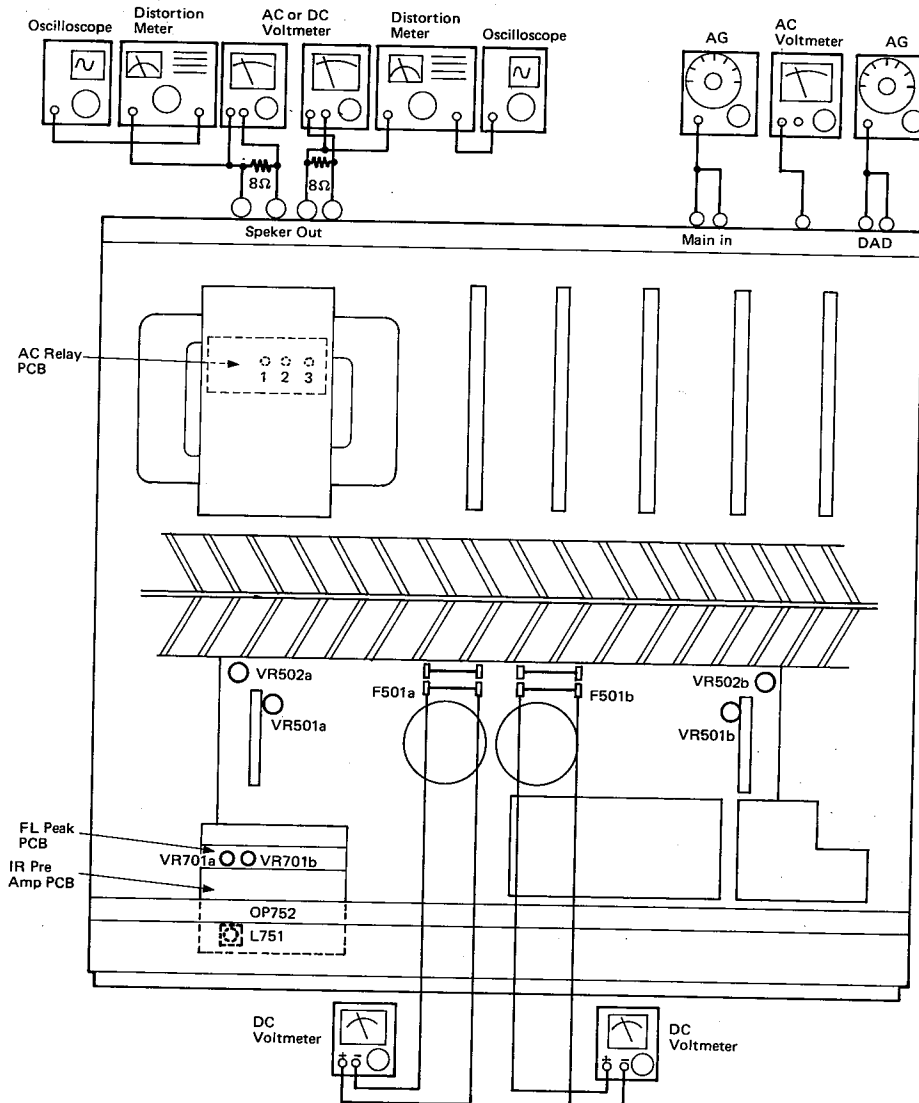


Contents

Adjustment Locations	1	IR Pre Amp PCB Parts List	18
Adjustment Procedure	2, 3	FL-Peak Ind. PCB Parts List	19
Exploded View Parts List (RC-104)	3	HD Phone PCB Parts List	19
Exploded View Parts List	4~6	REM Display PCB Parts List	20
Destination's Parts List	7	Tact SW PCB Parts List	20
Packing Material Parts List	7	3D Display PCB Parts List	21
EQ Amp PCB Parts List	8	Function SW PCB Parts List	21
3D Amp PCB Parts List	9	SP. Terminal PCB Parts List	22
Voltage Amp PCB Parts List	10	Servo SW PCB Parts List	22
Power PCB Parts List	11	AC Relay PCB Parts List	22
Decoder PCB Parts List	12, 13	Power SW PCB Parts List	22
Selector PCB Parts List	13, 14	Trans Mitter PCB Parts List	23
SP SW PCB Parts List	15	IC Handling Guide	24~25
Main Drive PCB Parts List	15	Schematic Diagram (1)	26
Main Amp PCB Parts List	16, 17	Schematic Diagram (2)	27
Tone Control PCB Parts List	17	Schematic Diagram (3)	28
VR Cont PCB Parts List	18	Schematic Diagram (4)	29
Filter SW PCB Parts List	18	Specifications	30

LX-104

Adjustment Locations



VR501a, b DC OFF SET
 VR502a, b IDLING CURRENT

VR701a, b FL INDICATOR
 L751 Infrared Sensitivity

Adjustment Procedures

LX-104

- 1-0 Preparation:
- 1-0 Set AC variac voltage to 0 V.
- 1-1 Connect terminals 2 and 3 on AC relay PCB (PB84D60543F06) located underneath power transformer.
- 1-2 Connect LX-104 AC plug to AC variac.
- 1-3 Connect idling current adjustment DC voltmeter between F501a and F501b on main amp.
- 1-4 Increase variac voltage gradually and confirm idling current does not drastically increase, then increase AC voltage up to 117 V.
- 1-5 Repeatedly switch power on and off listening for indication of relay's functioning, then bring down variac voltage to 0 V.

- 2-0 Main amplifier adjustment:
- 2-1 Connect 8 ohm resistor and AC milli-voltmeter to speaker terminal.
- 2-2 Connect DC voltmeter to speaker terminal.
- 2-3 Set signal processing switch to on position and connect 1 KHz audio generator output to 'main in' pin jack terminal.
- 2-4 Increase variac voltage gradually to 117 V.
- 2-5 Adjust VR501a (left channel) and VR501b (right channel) to obtain 0 V on DC voltmeter.
- 2-6 Adjust VR502a (left channel) and VR502b (right channel) to obtain an idling current of 180 mA (note: do adjustment two minutes after AC supply was adjusted to 117 V.)
- 2-7 Confirm the distortion at 120 W output (at 8 ohm).
- 2-8 Confirm input signal voltage at 1 KHz 120 W (at 8 ohm).

- 3-0 FL Peak meter adjustment:
- 3-1 Set variac voltage to 0 V.
- 3-2 Set signal processing switch to off position and remove signal generator from main in terminal.
- 3-3 Set variac voltage to 117 V.
- 3-4 Connect audio generator output to DAD (auxiliary) terminal.
- 3-5 Turn on power switch.
- 3-6 Confirm FL meter light functions; tuner function and subwoofer full position indicators light up.
- 3-7 Confirm all LED function indicators light up.
- 3-8 Confirm tape monitor indicator LED lights up.
- 3-9 Confirm phono straight indicator LED lights up.
- 3-10 While testing 3-8 and 3-9 confirm other LED indicators do not light up.
- 3-11 While testing 3-9, activate tape monitor then back to original position (at 3-9) and confirm all functions properly change.
- 3-12 Repeat 3-11 for DAD and tuner functions.
- 3-13 Push lock key switch on.
- 3-14 Confirm other function switches do not change the functions on the unit while lock key switch is on.
- 3-15 Turn lock key switch off.
- 3-16 Turn off FL meter switch and confirm FL meter blacks out.
- 3-17 Push mono, low, and high switches and confirm respective indicators light up.
- 3-18 Push subwoofer off, 50 Hz, 100 Hz, 150 Hz, and full switches and confirm each LED lights up.
- 3-19 Apply 1000 Hz input signal to the unit and measure 38.0 V output on speaker terminals (remove 8 ohm load while adjusting FL meter).
- 3-20 Adjust VR701a and VR701b to obtain 200 W indication on FL meter.
- 3-21 Adjust volume control knob and push peak hold switch on position and confirm FL meter peak hold function.

- 4-0 Confirmation of function switch:
- 4-1 Apply 1000 Hz signal to DAD terminal to obtain 120 W at 8 ohms and measure input signal level.
- 4-2 Confirm tape dubbing circuit function.
- 4-3 Confirm lo-cut filter function.
- 4-4 Confirm hi-cut filter function.
- 4-5 Confirm monaural function.
- 4-6 Confirm balance control function.
- 4-7 Rotate volume control knob to 11 o'clock position and confirm loudness circuit function.

- 5-0 Confirmation of tone control circuit:
- 5-1 Push tone switch in and confirm bass and treble functions.
- 5-2 Push turn-over switch in and confirm tone control effect is increased.

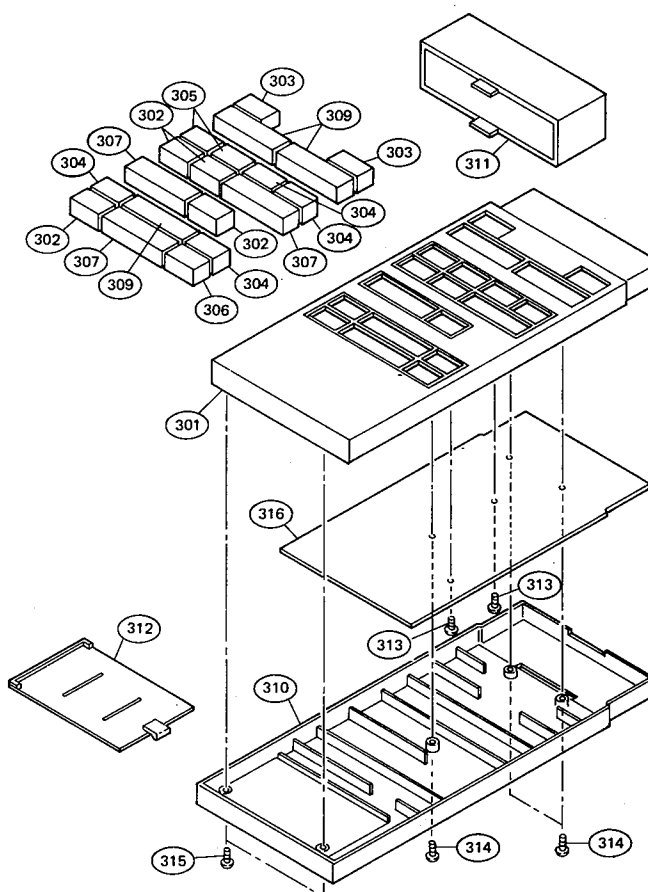
- 6-0 Confirmation of subwoofer:
- 6-1 Hook-up AC milli-voltmeter to subwoofer output terminal.
- 6-2 Apply DAD terminal, 50 Hz signal.
- 6-3 Confirm no output to subwoofer terminal when subwoofer switch is off.
- 6-4 Push 50 Hz switch in; confirm -3 dB output signal from subwoofer terminal.
- 6-5 Apply 100 Hz signal; push 100 Hz switch in; confirm -3 dB output signal from subwoofer terminal.
- 6-6 Apply 150 Hz signal; push 150 Hz switch in; confirm -3 dB output signal from subwoofer terminal.
- 6-7 Push subwoofer full switch in; confirm output signal level does not change at any frequency position.

- 7-1 Confirm output noise level on each function with input both open and shorted (volume control is at maximum position).
- 7-2 Confirm output noise level at volume control minimum position.

- 8-1 With servo switch on Servo-face should be in full out position; with servo switch off, Servo-face should return to full in position.
- 8-2 During Servo-face operation, confirm speaker outputs are completely muted.

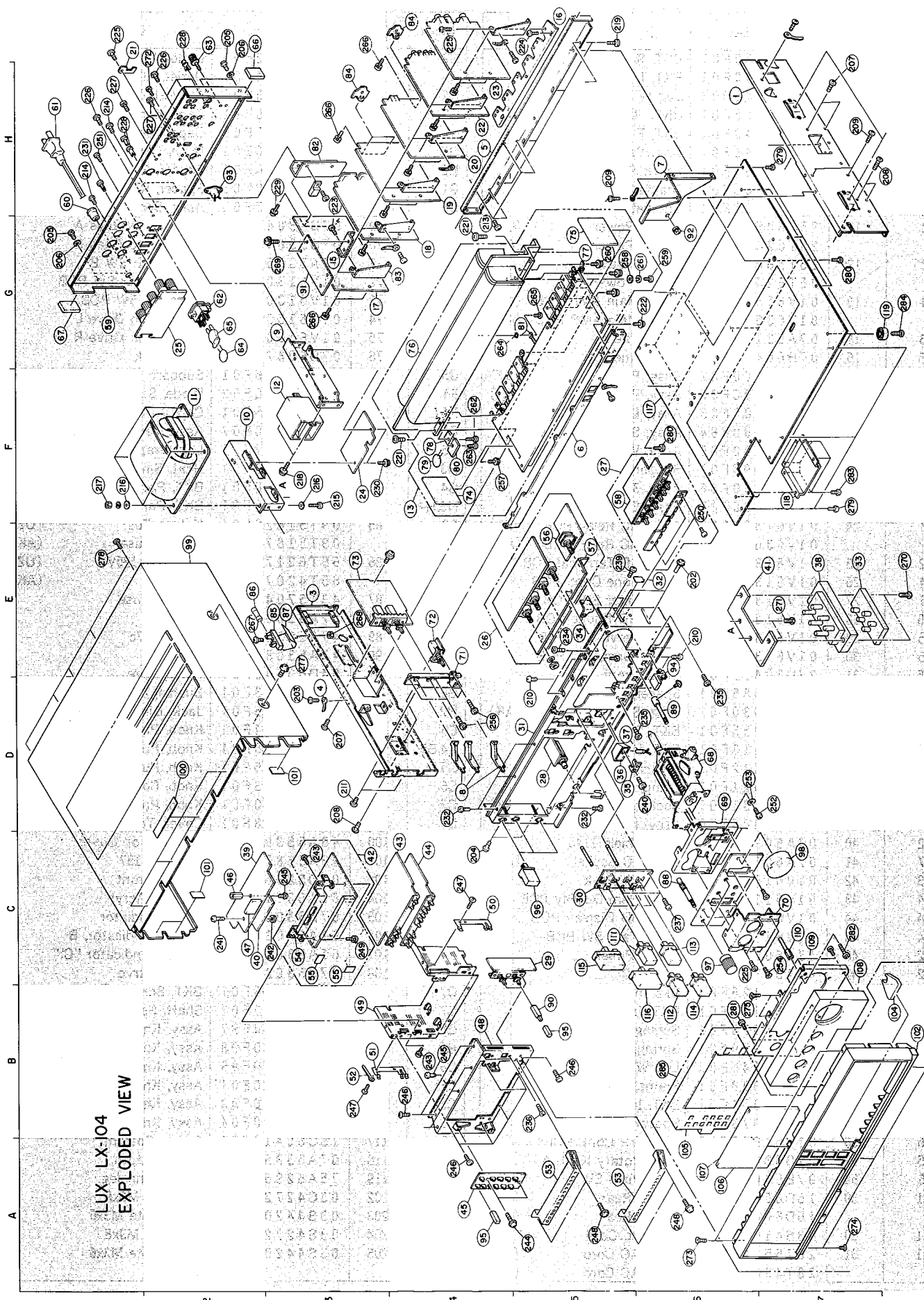
- 9-0 Remote control confirmation:
 9-1 Turn remote control switch on.
 9-2 Hook up oscilloscope probe to P752 on IR PRE AMP PCB.
 9-3 While receiving remote control signal adjust inductor L751 to obtain maximum output waveform on oscilloscope (try to use continuous remote control signal such as volume control up/down). This will maximize remote control range and sensitivity.
 9-4 Confirm remote LED blinks while receiving remote control signal.
 9-5 Change distance between remote control unit and receiver and confirm proper operation of all functions.
 9-6 While changing remote volume level, observe remote volume level indicators to be displaying increasing and decreasing volume (all 5 LED's lit indicate maximum volume level).
 9-7 While remote control volume is in maximum position, turn remote switch on and off and confirm sound level remains unchanged.

RC-104 Exploded View Parts List



Symbol No.	Stock No.	Description
301	07C55088F02	Frame, Upper
302	36A55091F01	Knob, Push A
303	36A55091F02	Knob, Push A
304	36A55092F01	Knob, Push B
305	36A55092F02	Knob, Push B
306	36A55093F01	Knob, Push C
307	36A55094F01	Knob, Push D
309	36A55095F01	Knob, Push E
310	07C55089F01	Frame, Lower
311	07A55090F01	Frame, Top
312	15B51498F02	Cover, Battery
313	03S40012G83	Scr, Tpg. M2x8 Blk
314	03S40012G84	Scr, Tpg. M2X12 Blk
315	03S40012G85	Scr, Tpg. M2X14 Blk
316	01V61400F10	Ass'y, Transmitter PCB

Exploded View



LUX LX-104
EXPLODED VIEW

LX-104

Exploded View Parts List

LX-104

Index	Symbol No.	Stock No.	Description	Index	Symbol No.	Stock No.	Description
H6	1	07D53039F01	BKT, R	G2	62	09T51832F01	Outlet AC (UZ)
E3	3	07D53040F01	BKT, L			09T57934F01	Outlet, AC (AK)
D3	4	29C41045P03	Lug W Around	H2	63	09T51075F01	Termial, Gnd
H4	5	07D60425F01	BKT, "C"	G2	64	08T52995F01	Capacitor (UZ)
F5	6	07D53042F01	BKT, F			08T57437F09	Capacitor (AK)
H6	7	07B53049F01	BKT, Servo Shaft	G2	65	43T53136F01	Bush, Cap TP150-301
D4	8	45A53081F01	Lever, Push B	H2	66	43A56380F01	Spacer, Rubber 1184
G3	9	07B60680F01	Bracket, Trans A	G1	67	43A57582F01	Spacer, Rubber 1194
F2	10	07B60681F01	Bracket, Trans B	D6	68	01C55485F01	Assy, Servo Mech
F2	11	25T60528F01	Trans, Power (UZ)	D6	69	07B53047F01	BKT, Servo Chas A
		25T62454F01	Trans, Power (AK)	C7	70	07B53048F01	BKT, Servo Chas B
F2	12	25T56008F01	Trans, Power (UZ)	E4	71	07A53053F01	BKT, Push SW B
		25T62455F02	Trans, Power (AK)	E4	72	01V61300F77	Assy, Power SW PCB
F4	13	01V61300F80	Assy, Main AMP PCB (UZ)	E3	73	01V61300F78	Assy, SP SW PCB
		01V63600F29	Assy, Main AMP PCB (AK)	F4	74	01V61500F99	Assy, Main Drive L
G3	15	07A53114F01	BKT, Wire A	G5	75	01V61600F01	Assy, Main Drive R
H5	16	07B60418F01	Bkt, Panel "A"	G4	76	07D60427F01	Heat, Sink
G3	17	01V61300F82	Assy, Power PCB (UZ)	G5	77	07R51146F01	Support, TR
		01V63600F30	Assy, Power PCB (AK)	F4	78	48T56268F02	Diode, S10VB40-2
G4	18	01V61300F83	Assy, Decoder PCB	F4	79	08T52995F01	Cap, 0.01 DE7150FZ
H4	19	01V61300F84	Assy, Selector PCB	F4	80	01V61800F07	Assy, Terminal PCB
H4	20	01V61300F85	Assy, Voltage AMP PCB	G5	81	29A737272	Lug Wrap Around
H1	21	07A56395F01	Support, SW	H3	82	07A60423F01	Heat, Sink
H4	22	01V61300F86	Assy, 3D AMP PCB	G4	83	07A60420F01	BKT, Panel "C"
H4	23	01V61300P87	Assy, EQ AMP PCB	H3,H4	84	07A60421F01	BKT, Panel "D"
F3	24	01V61300F88	Assy, AC Relay PCB (UZ)	E3	85	09T51828F01	Holder, Fus (UZ)
		01V63600F31	Assy, AC Relay PCB (AK)			09T51074F01	Holder, Fuse (AK)
G2	25	01V61300F89	Assy, SP Terminal PCB	E2	86	65T62175F01	Fuse, TA-125V (UZ)
E4	26	01V61300F62	Assy, Tone Cont. PCB			65T42077U22	Fuse (AK)
F5	27	01V61300F64	Assy, Filter SW PCB	E3	87	43T57047F01	Spacer, Fuse
D5	28	01V61300F65	Assy, HD Pnone PCB	C6	88	47A53082F01	Shaft, A
C5	29	01V61300F66	Assy, Servo SW PCB	D6	89	47A56389F01	Shaft, 1376
C5	30	01V61300F67	Assy, Funct, SW PCB	B5	90	47A53084F01	Shaft, C
D5	31	27D60415F01	Chas, Front	G3	91	84D60548F06	Panel, Wire
E6	32	43A55385F01	Spacer, Front Chas	G6	92	43A55383F01	Bushing, Shaft
E7	33	09T51830F01	Plug, SW P-2120 (AK)	H2	93	09T60545F01	Jack, Din TCS1230-01
E5	34	07A53055F01	BKT, Servo Guide	E6	94	36B53064F01	Knob, Push A
D5	35	07A53113F01	BKT, Lamp	A4,B5	95	36B53065F01	Knob, Push B
D5	36	43A53112F01	Bushing, Lamp	C5	96	36B53066F01	Knob, Push C
D5	37	65T60521F01	Lamp, Pilot	C6	97	36A52963F01	Knob, Control
E7	38	09T51831F01	Socket, SW M-1615 (AK)	C7	98	36B53070F01	Knob, Rotary VR
C2	39	01V61300F70	Assy, IR Pre AMP PCB	E2	99	15D53058F01	Cover, Top
C2	40	07A60933F01	BKT, Shield 1143	D2	100	43A55384F01	Spacer, Top Cover
E7	41	07A60682F01	BKT, AC Socket (AK)	C2,D3	101	43A56871F01	Spacer, 1187
C3	42	01V61300F71	Assy, FL Peak	B7	102	07D52966F06	Frame, Front
C4	43	01V61300F72	Assy, Rem Display PCB	B7	104	61A53115F01	Crystal, Acryl
C4	44	01V61300F73	Assy, 3D Display PCB	A6	105	07D53035F03	Frame, Indicator
A4	45	01V61300F74	Assy, Tact SW PCB	A6	106	61A53087F01	Crystal, indicator, B
C2	46	47A60048F02	Shaft, Panel	A6	107	61A53088F04	Crystal, Indicator "C"
C2	47	43A55318F01	Space, C	C7	108	07C53036F04	Frame Servo
B4	48	07C60426F01	Bkt, Ind"A"	C7	109	07B53046F01	BKT, Servo Frame
B3	49	07C53044F01	BKT, Indicator B	C7	110	47A53085F01	Shaft, Servo Guide
C4	50	41A53078F01	Spring, Plate A	C5	111	01V61300F97	Assy, Knob(phono/MM)
B3	51	41A53079F01	Spring, Plate B	B6	112	01V61300F98	Assy, Knob(Phono/MC)
B3	52	29C41045P03	Lug W Around	C6	113	01V61300F99	Assy, Knob(Tuner)
A5	53	07B53038F01	Frame, LED B	B6	114	01V61400F01	Assy, Knob(DAD/AUX)
C3	54	07A53054F01	BKT, Indicator	C5	115	01V61400F03	Assy, Knob(Phono/ST)
C3	55	43A53073F01	Spacer, A	B6	116	01V61400F04	Assy, Knob(Monitor)
E5	56	01V61300F63	Assy, VR Cont. PCB	F6	117	15C60417F01	Cover, Bottom
E5	57	07B53050F01	BKT, Rotary Knob A	F7	118	07A53356F01	BKT, Bottom
F5	58	07B53052F01	BKT, Push SW A	G7	119	75A52969F01	Pud, Trunn-leg
G1	59	15D60416F01	Cover, Rear (UZ)	E6	202	03C42723U01	Scr, Cup M3x6
		15D60416F02	Cover, Rear (AK)	D3	203	03S44205G01	Scr, T-Tite M3x6
H1	60	43B41625J02	Support, Cord	C4	204	03S42723U01	Scr, Cup M3x6
H1	61	28T55335F01	Plug, AC Cord (UZ)	G1,H2	205	03S44205G02	Scr, T-Tite M3x6
		28T43812P02	Plug, AC Cord (AK)				

Index	Symbol No.	Stock No.	Description	Index	Symbol No.	Stock No.	Description
G1,H2	206	04S40072G16	Wsr, T. L. M3	B3,C4	247	03S44205G05	Scr, T-Tite M3x5
D3,H7	207	03S44305F01	Scr, T-Tite M3x6	A5,A6	248	03C42723U01	Scr, Cup M3x6
D3,H7	208	03S44205G01	Scr, T-Tite M3x6	C3	249	03S42723U01	Scr, Cup M3x6
H5,H7	209	03S44205G01	Scr, T-Tite M3x6	F6	250	03C40014G04	Scr, Mch M3x6
D5,E6	210	03S44205G32	Scr, T-Tite M3x5	H1	251	03S40012G41	Scr, Tpg M3x8 (UZ)
D3	211	03S44205G01	Scr, T-Tite M3x6	D7	252	03S43997P60	Scr, Mch M4x8
G4	213	03S44205G09	Scr, T-Tite M4x8	D6	253	04S40071G03	Wash, 4.1x7.6x1.0
H1	214	03S44205G51	Scr, T-Tite M4x8	C7	254	03S44205G01	Scr, T-Tite M3x6
F3	215	03S43997P84	Scr, Mch M4x12	D4	256	03S40014G04	Scr, Mch M3x6
F1,F3	216	04S40070G35	Wsr, 4.2x10x0.8	F4	257	03S40018G02	Scr, Tpg M3x8
F1	217	02S40000G09	Nut, Hex M4	G5	258	04S40071G05	Wsr, 3.1x5.9x0.7
F3	218	03C42723U01	Scr, Cup M3x6	G6	259	03S40011G43	Scr, Mch M3x10
H5	219	03S40018G14	Scr, Tpg M4x8	G5	260	03S40018G01	Scr, TPG M3x6
F4,G4	221	03S44205G49	Scr, T-Tite M4x8	G5	261	04S40070G23	Wsr, 3.3x6x0.5
G6	222	03C42723U01	Scr, Cup M3x6	F4	262	03S44205G21	Scr, T-Tite M3x14
H3	223	03S44205G01	Scr, T-Tite M3x6	F4	263	03S40018G01	Scr, Tpg M3x6
H5	224	03S44205G01	Scr, T-Tite M3x6	G4	264	04S40072G16	Wsr, T. L. M3
C6,etc	225	03S44205G01	Scr, T-Tite M3x6	G5	265	03S40018G01	Scr, Tpg M3x6
H1,H2	226	03S40012G41	Scr, Tpg M3x8	G3,H3	266	03C42723U01	Scr, Cup M3x6
E3	227	03S43997P41	Scr, Mch M3x8	E2	267	03S40011G15	Scr, Mch M3x10
H1,H2	228	05B41635J02	Rivet, Push	E3	268	02S40000G12	Nut, Hex M3
H3	229	03S40018G02	Scr, Tpg M3x8	G3	269	03C42723U01	Scr, Cup M3x6
F3	230	03S42723U01	Scr, Cup M3x6	E7	270	03S44205G03	Scr, T-Tite M3x8
H1	231	03S40012G41	Scr, Tpg M3x8	E7	271	04S44205G01	Scr, T-Tite M3x6
D4,D5	232	03S44205G12	Scr, T-Tite M3x4	H2	272	03S43997P67	Scr, Mch M2.6x6
E5	234	03S44205G01	Scr, T-Tite M3x6	A6	273	03S44205G46	Scr, T-Tite M3x6 TRS
D6	235	03S44205G01	Scr, T-Tite M3x6	A7	274	03S44205G50	Scr, T-Tite M3x6 FLT
B5	236	03C40014G04	Scr, Mch M3x6	B6	275	03S44205G40	Scr, T-Tite M3x4
C6	237	03C42723U01	Scr, Cup M3x6	E3	277	03S40036U01	Scr, T-Tite M4x8
E5	239	03C40014G04	Scr, Mch M3x6	E1	278	03S44205G02	Scr, T-Tite M3x6
D6	240	03S44205G01	Scr, T-Tite M3x6	F7,H7	279	03S44205G01	Scr, T-Tite M3x6
C2	241	03C40014G15	Scr, Mch M2x8	F6,G6	280	03S44205G17	Scr, T-Tite M4x6
C3	242	02S40000G11	Nut, Hex M2	B6	281	03S40012G48	Scr, T-Tite M3x6
B4,C3	243	03S44205G05	Scr, T-Tite M3x5	C7	282	03C40014G10	Scr, Mch M3x8
A5	244	03C42723U01	Scr, Cup M3x6	F7	283	03S44205G01	Scr, T-Tite M3x6
B4,C3	245	03C40014G04	Scr, Mch M3x6	G7	284	03S44205G25	Scr, T-Tite M4x10
A4,B5	246	03S44205G01	Scr, T-Tite M3x6	B6	285	01V61300F93	Assy, Frame Front

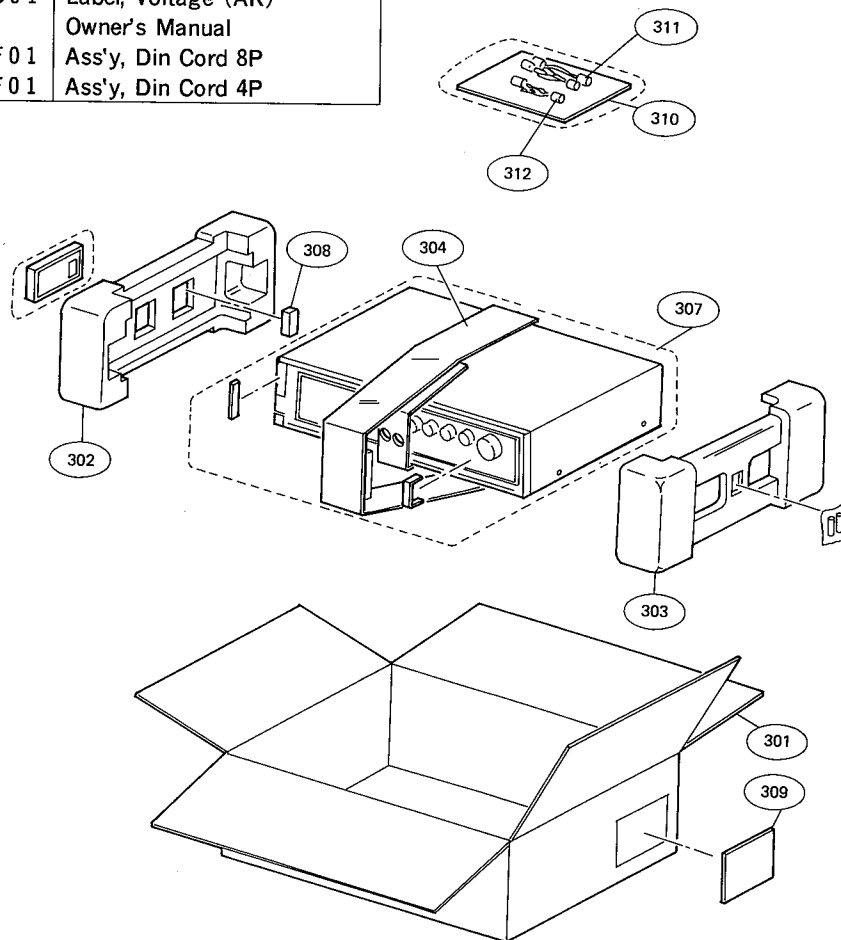
LX-104

Destination's Parts List

Symbol No.	Description	UZ(120V) USA	AK(220V) Europe	Symbol No.	Description	UZ(120V) USA	AK(220V) Europe
11	Trans, Power	25T60528F01	25T62454F01	86	Fuse	65T62175F01	65T42077U22
12	Trans, Power	25T56008F02	25T62455F01	251	Screw, Washer	03S40012G41	03S43997P16
13	Ass'y, Main Amp PCB	01V61300F80	01V63600F29				02S40000G35
17	Ass'y, Power PCB	01V61300F82	01V63600F30	270	Scr, M3x8	Non Use	03S44205G03
24	Ass'y, AC Relay PCB	01V61300F88	01V63600F31	271	Scr, T-Tite M3x6	Non Use	03S44205G01
33	Plug, SW P-2121	Non Use	09T51830F01	309	Label, Voltage	54B44257U06	54B44257U01
38	Socket, SW M-1615	Non Use	09T51831F01	F251,252	Fuse	65T52486F01	65T42077U11
41	BKT, AC Socket	Non Use	07A60682F01	F253,254	Fuse	65T52486F07	65T42077U17
59	Cover, Rear	15D60416F01	15D60416F02	F255	Fuse	65T52486F03	65T42077U13
61	Plug, AC Cord	28T55335F01	28T43812P02	F251-255	Holder, Fuse	09T51960F01	09T51410F01
62	Outlet, AC	09T51832F01	09T57934F01	F951	Fuse	Non Use	65T42077U13
64	Capacitor	08T52995F01	08T57437F09	F951	Holder, Fuse	Non Use	09T51410F01
85	Holder, Fuse	09T51828F01	09T51074F01				

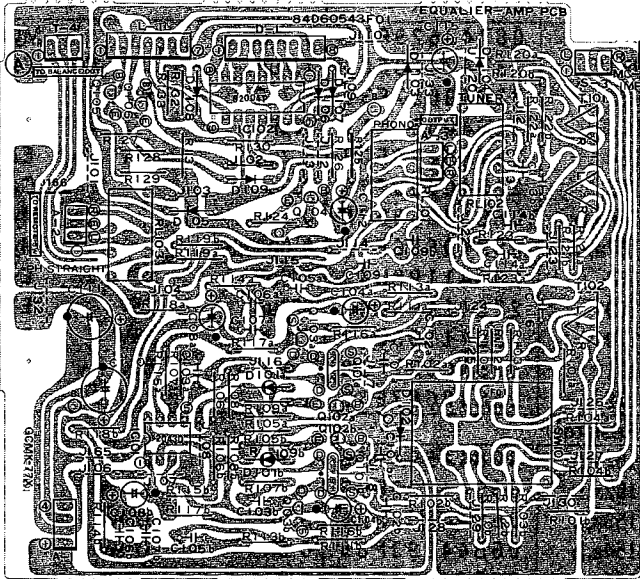
Packing Material Parts List

Symbol No.	Stock No.	Description
301	56C58368F08	Carton, Packing
302	56D57641F01	Packing, Tray (L)
303	56D57642F01	Packing, Tray (R)
304	42A56390F01	Belt, Packing
307	56B40442T08	Packing, Front Frame
308	56A57313F01	Packing, Spacer
309	54B44257U06	Label, Voltage (UZ)
	54B44257U01	Label, Voltage (AK)
310	ME0258	Owner's Manual
311	01T58429F01	Ass'y, Din Cord 8P
312	01T58430F01	Ass'y, Din Cord 4P



LX-104

EQ Amp PCB Parts List



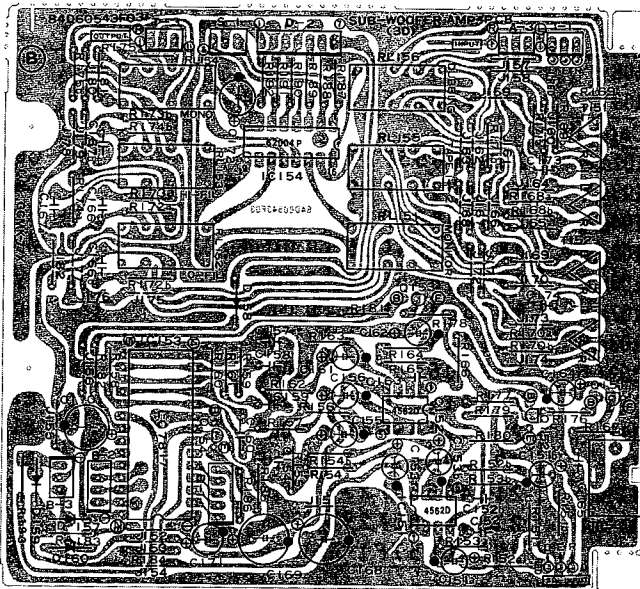
LX-104

Symbol No.	Stock No.	Description			
D108	48T43189F01	1S1555			
D109	48T51117F01	1S1553			
(Capacitor)					
C101a,b	21S40655F27	220pF			Ce
C103a,b	08S40656F09	0.0047uF			Ce
C104a,b	23S40657F10	10uF 16V			E1
C105a,b	08S40656F15	0.015uF			My
C106a,b	08S40656F08	0.0039uF			My
C107a,b	08T52448F05	0.00047uF			Pp
C108a,b	23T42478F09	4.7uF	25V	LN	E1
C109a,b	21S40655F27	220pF			Ce
C110	23S41198U49	330uF	25V		E1
C111	23S41198U49	330uF	25V		E1
C112	23S40657F21	100uF	25V		E1
C113a,b	21S40655F27	220pF			Ce
C114a,b	21S40655F27	220pF			Ce
C115	23S40657F14	100uF	16V		E1
(Resistor)					
R101a,b	06S44594P06	47K	1/4W		Rd
R102a,b	06S44593P21	15	1/4W		Rd
R103a,b	06S44593P33	47	1/4W		Rd
R104a,b	06S44593P33	47	1/4W		Rd
R105a,b	06S44594P04	39K	1/4W		Rd
R106a,b	06S40105T71	1.8K	1/4W		Rd
R107a,b	06S44593P33	47	1/4W		Rd
R108a,b	06S44593P69	1.5K	1/4W		Rd
R109a,b	06T55175F49	220	1/4W		Rm
R110a,b	06S44593P21	15	1/4W		Rd
R111a,b	06S44593P53	330	1/4W		Rd
R112a,b	06S44593P57	470	1/4W		Rd
R113a,b	06S44594P22	220K	1/4W		Rd
R114a,b	06S44593P95	18K	1/4W		Rd
R115a,b	06S44594P34	680K	1/4W		Rd
R116a,b	06S44593P51	270	1/4W		Rd
R117a,b	06S44594P38	1M	1/4W		Rd
R118a,b	06S44593P59	560	1/4W		Rd
R119a,b	06S44594P22	220K	1/4W		Rd
R120a,b	06S44594P46	2.2M	1/4W		Rd
R121a,b	06S44594P46	2.2M	1/4W		Rd
R124	06T55175F45	150	1/4W		Rm
R125	06S44593P89	10K	1/4W		Rd
R126	06S44594P04	39K	1/4W		Rd
R127	06S44594P02	33K	1/4W		Rd
R128	06S44593P97	22K	1/4W		Rd
R129	06S44594P06	47K	1/4W		Rd
R130	06S44593P97	22K	1/4W		Rd
R131	06S44593P97	22K	1/4W		Rd
R132	06S44593P67	1.2K	1/4W		Rd
R133	06S44593P67	1.2K	1/4W		Rd

Symbol No.	Stock No.	Description
(Relay)		
RL101	80T55298F01	G2V2-1004D
RL102	80T55298F01	G2V2-1004D
RL103	80T55298F01	G2V2-1004D
(Plate, Phono)		
T101	09T60542F02	4P. T5859 TUNER, AUX
T102	09T60542F01	2P. T5856 PHONO
(IC)		
IC101	51T52153F01	NJM2043D-D
IC102	51T60540F01	TD62004P
(SW)		
SW101	80T52120F01	Magnet, SWE016401-S
(Transistor, FET)		
Q101a,b	48T60558F03	2SK240 BL, V
Q102a,b	48T43525F05	2SC1815-Y, GR
Q103a,b	48T51539F01	2SK117(Y)
Q104	48T56278F01	2SC3068
Q105	48S43525F05	2SC1815-Y, GR
Q106	48S43525F05	2SC1815-Y, GR
(Diode, LED)		
D101a,b	48T60971F01	LTZ-R15
D102	48T55186F01	GP10D
D103	48T55186F01	GP10D
D104	48T55186F01	GP10D
D105	48T55186F01	GP10D
D106	48T43189F01	1S1555
D107	48T43189F01	1S1555

3D Amp PCB Parts List

LX-104



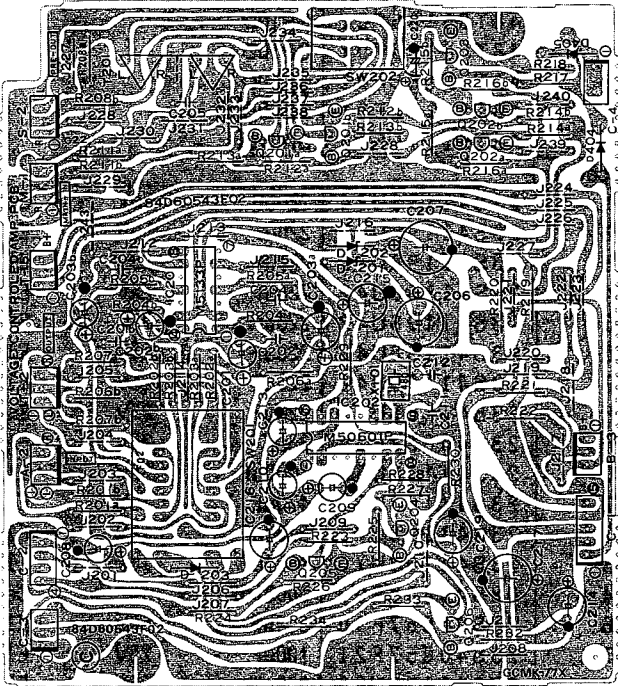
Symbol No.	Stock No.	Description			
C160	08T42629F32	0.18uF			My
C161	23T42478F09	4.7uF	25V	LN	E1
C162	23S40657F31	4.7uF	50V		E1
C163	21S40655F11	10pF			Ce
C164	23T42478F09	4.7uF	25V	LN	E1
C165	21S40655F29	330pF			Ce
C166a,b	08S40656F25	0.1uF			My
C167a,b	08S40656F10	0.0056uF			My
C168	23S41198U42	220uF	25V		E1
C169	23S41198U42	220uF	25V		E1
C170	23S41198U42	220uF	25V		E1
C171	23S40657F28	1uF	50V		E1
C172	23S40657F10	10uF	16V		E1

(Resistor)

R151a,b	06S44594P46	2.2M	1/4W		Rd
R152a,b	06S44593P73	2.2K	1/4W		Rd
R153a,b	06S44594P26	330K	1/4W		Rd
R154a,b	06S44593P85	6.8K	1/4W		Rd
R155	06S44594P22	220K	1/4W		Rd
R156	06S44594P14	100K	1/4W		Rd
R157	06S44593P95	18K	1/4W		Rd
R158	06S44594P30	470K	1/4W		Rd
R159	06S44594P38	1M	1/4W		Rd
R160	06S44594P38	1M	1/4W		Rd
R161	06S44594P38	1M	1/4W		Rd
R162	06S44593P65	1K	1/4W		Rd
R163	06S44594P14	100K	1/4W		Rd
R164	06S44593P77	3.3K	1/4W		Rd
R165	06S44593P95	18K	1/4W		Rd
R166	06S44593P57	470	1/4W		Rd
R167	06S44594P22	220K	1/4W		Rd
R168a,b	06S44594P46	2.2M	1/4W		Rd
R169a,b	06S44594P46	2.2M	1/4		
R170a,b	06S44594P46	2.2M	1/4W		Rd
R171a,b	06S44594P46	2.2M	1/4W		Rd
R172a,b	06S44594P38	1M	1/4W		Rd
R173a,b	06S44593P77	3.3K	1/4W		Rd
R174a,b	06S44594P38	1M	1/4W		Rd
R175a,b	06S44593P85	6.8K	1/4W		Rd
R176	06S44594P26	330K	1/4W		Rd
R177	06S44594P30	470K	1/4W		Rd
R178	06S44594P26	330K	1/4W		Rd
R179	06S44594P26	330K	1/4W		Rd
R180	06S44593P65	1K	1/4W		Rd
R181	06S44594P14	100K	1/4W		Rd
R182	06S44594P18	150K	1/4W		Rd
R183	06S44594P22	220K	1/4W		Rd
R184	06S44594P14	100K	1/4W		Rd
R185	06S44594P06	47K	1/4W		Rd
P186	06S44594P06	47K	1/4W		Rd
R187	06S44593P97	22K	1/4W		Rd
R188	06S44593F97	22K	1/4W		Rd
R189	06S44593P97	22K	1/4W		Rd
R190	06S44593P97	22K	1/4W		Rd
R191	06S44593P97	22K	1/4W		Rd
R192	06S44593P97	22K	1/4W		Rd
R193	06S4459P14	100K	1/4W		Rd

Symbol No.	Stock No.	Description			
(Relay)					
RL151	80T55298F01	G2V2-1004D			
RL152	80T55298F01	G2V2-1004D			
RL153	80T55298F01	G2V2-1004D			
RL154	80T55298F01	G2V2-1004D			
RL155	80T55298F01	G2V2-1004D			
RL156	80T55298F01	G2V2-1004D			
(Plate, Phono)					
T151	09T60542F02	4P.T5859 TAPE1			
T152	09T60542F02	4P.T5859 TAPE2			
T153	09T52976F01	1P SUBW00FER			
(IC)					
IC151	51T53311F01	4562D-D			
IC152	51T53311F01	4562D-D			
IC153	51T60560F01	LC7817			
IC154	51T60540F01	TD62004P			
(Transistor)					
Q151	48T51878F03	2SC2878 B			
Q152	48T51118F01	2SA1015-Y			
Q153	48S43525F05	2SC1815-Y, GR			
Q154	48S43525F05	2SC1815-Y, GR			
(Diode)					
D157	48T43189F01	1S1555			
D158	48T43189F01	1S1555			
D159	48T43189F01	1S1555			
D160	48T43189F01	1S1555			
(Capacitor)					
C151a,b	23T42478F09	4.7uF	25V	LN	E1
C152a,b	21S40655F19	47pF			Ce
C153a,b	23S42478F09	4.7uF	25V	LN	E1
C154	21S40655F19	47pF			Ce
C155	23T42478F09	4.7uF	25	LN	E1
C156	23T42478F09	4.7uF	25V	LN	E1
C157	21S40655F23	100pF			Ce
C158	08S40656F23	0.068uF			My
C159	08S40656F25	0.1uF			My

Voltage Amp PCB Parts List



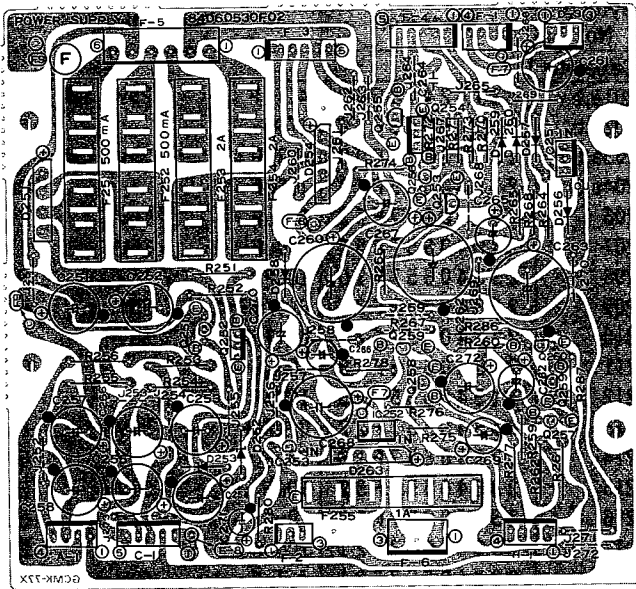
LX-104

Symbol No.	Stock No.	Description			
(Capacitor)					
C201a,b	23T42478F09	4.7 μ F	25V LN	E1	
C202a,b	21S40655F19	47PF		Ce	
C203a,b	23T42478F09	4.7 μ F	25V LN	E1	
C204a,b	21S40655F23	100pF		Ce	
C206	23S40657F52	220 μ F	16V	E1	
C207	23S40657F52	220 μ F	16V	E1	
C208	23S40657F10	10 μ F	16V	E1	
C209	23S40657F27	0.47 μ F	50V	E1	
C210	23S40657F27	0.47 μ F	50V	E1	
C211	21S40655F23	100pF		Ce	
C212	21S40655F23	100pF		Ce	
C213	23S40657F27	0.47 μ F	50V	E1	
C214	23S40657F19	33 μ F	25V	E1	
C215	23S40657F32	10 μ F	50V	E1	
C216	23S40657F10	10 μ F	16V	E1	
C217	23S40657F21	100 μ F	25V	E1	
C219	23S40657F31	4.7 μ F	50V	E1	
C220	23S41198U01	0.47 μ F	50V	E1	
C425	23S40657F29	2.2 μ F	50V	E1	
(Resistor)					
R201a,b	06S44594P38	1M	1/4W	Rd	
R202a,b	06S44594P30	470K	1/4W	Rd	
R203a,b	06S44593P59	560	1/4W	Rd	
R204a,b	06S44594P26	330K	1/4W	Rd	
R205a,b	06S44593P59	560	1/4W	Rd	
R206a,b	06S44594P22	220K	1/4W	Rd	
R207a,b	06S44594P34	680K	1/4W	Rd	
R208a,b	06S44594P26	330K	1/4W	Rd	
R211a,b	06S44594P26	330K	1/4W	Rd	
R212a,b	06S44594P30	470K	1/4W	Rd	
R213a,b	06S44594P38	1M	1/4W	Rd	
R214a,b	06S44594P26	330K	1/4W	Rd	
R215a,b	06S44594P30	470K	1/4W	Rd	
R216a,b	06S44594P30	470K	1/4W	Rd	
R217	06S44394P06	47K	1/4W	Rd	
R218	06S44594P14	100K	1/4W	Rd	
R219	06T55175F51	270	1/2W	Rm	
R220	06T55175F51	270	1/2W	Rm	
R221	06T55175F29	33	1/2W	Rm	
R222	06T55175F29	33	1/2W	Rm	
R223	06S44593P89	10K	1/4W	Rd	
R224	06S44593P89	10K	1/4W	Rd	
R225	06S44593P97	22K	1/4W	Rd	
R226	06S44593P97	22K	1/4W	Rd	
R227	06S44594P06	47K	1/4W	Rd	
R228	06S44594P06	47K	1/4W	Rd	
R229	06S44594P06	47K	1/4W	Rd	
R230	06S44593P97	22K	1/4W	Rd	
R232	06S44593P89	10K	1/4W	Rd	
R233	06S44594P02	33K	1/4W	Rd	
R234	06T55175F45	150	1/2W	Rm	

Symbol No.	Stock No.	Description
(Switch)		
SW201	80T52120F02	Magnet, SWE016401-NS
SW202	40T53205F01	Slide SSP32204, Signal
(Plate, Phono)		
T201	09T60542F02	4P T5859 PRE/MAIN
(Resonat, Ceramic)		
X201	91T60972F01	CSB 480E
(IC)		
IC201	51T60559F01	M51133P
IC202	51T60541F01	M50601P
(Transistor)		
Q201a,b	48T51878F03	2SC2878 B
Q202a,b	48T51118F01	2SA1015-Y
Q203	48T43525F05	2SC1815-Y, GR
Q204	48T51118F01	2SA1015-Y
Q205	48T51118F01	2SA1015-Y
Q206	48T56278F01	2SC3068
(Diode)		
D201	48T40150U72	HZ15-3 Zener
D202	48T40150U72	HZ15-3 Zener
D203	48T55186F01	GP10D
D421	48T43189F01	1S1555
D422	48T43189F01	1S1555

Power PCB Parts List

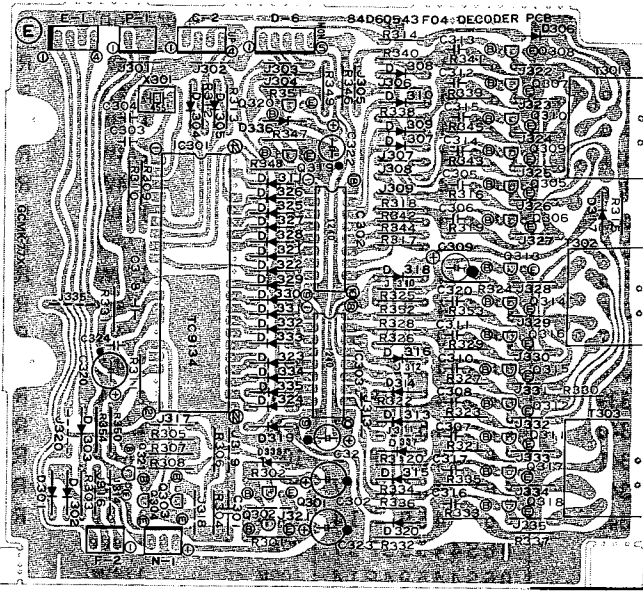
LX-104



Symbol No.	Stock No.	Description
(Holder, Fuse)		
F251-255	09T51960F01	YSH-401T(UZ)
	09T51410F01	Semko(AK)
(Fuse)		
F251	65T52486F01	MF61NM 0.5-125(UZ)
	65T42077U11	T315mA(AK)
F252	65T52486F01	MF61NM 0.5-125(UZ)
	65T42077U11	T315mA(AK)
F253	65T52486F07	MF61NM 2-125(UZ)
	65T42077U17	T1.25A(AK)
F 254	65T52486F07	MF61NM 2-125(UZ)
	65T42077U17	T1.25A(AK)
F255	65T52486F03	MF61NM 1-125(UZ)
	65T42077U13	T-500mA(AK)
(IC)		
IC251	51T53320F01	L78M12
IC252	51T53320F01	L78M12
IC253	51T60969F01	NJM78L05 A
(Transistor)		
Q251	48T47144F02	2SD400 E
Q252	48T44652P01	2SA490 Y
Q253	48T47144F02	2SD400 E
Q254	48T44652P01	2SA490 Y
Q255	48T47144F02	2SD400 E
Q256	48T51118F01	2SA1015 Y
Q257	48T51120F01	2SC2235
Q258	48T51120F01	2SC2235
Q259	48T51120F01	2SC2235
Q260	48T51120F01	2SC2235
Q262	48S43525F05	2SC1815 Y, GR
(Diode)		
D251	48T53388F01	SIVB-20
D252	48T52739F90	HZ22-3 Zener
D253	48T52739F90	HZ22-3 Zener
D254	48T51116F01	SIVB10

Symbol No.	Stock No.	Description			
D256	48T55186F01	GP10D			
D257	48T55186F01	GP10D			
D258	48T55186F01	GP10D			
D259	48T55186F01	GP10D			
D260	48T55186F01	GP10D			
D263	48T51116F01	SIVB10			
(Capacitor)					
C251	23S41198U44	220uF	50V	E1	
C252	23S41198U44	220uF	50V	E1	
C253	23S41198U42	220uF	25V	E1	
C254	23S41198U42	220uF	25V	E1	
C255	23S41198U42	220uF	25V	E1	
C256	23S41198U42	220uF	25V	E1	
C257	23S41198U42	220uF	25V	E1	
C258	23S41198U42	220uF	25V	E1	
C259	23S40657F19	33uF	25V	E1	
C260	23S41198U65	1000uF	25V	E1	
C261	23S41198U56	470uF	16V	E1	
C262	23S41198U71	2200uF	16V	E1	
C263	23S41198U76	3300uF	16V	E1	
C264	08S40805F07	00001uF		Ce	
C266	23S40657F30	3.3uF	50V	E1	
C267	23S40657F21	100uF	25V	E1	
C268	23S41198U50	330uF	35V	E1	
C269	23S40657F19	33uF	25V	E1	
C270	23S40657F13	47uF	16V	E1	
C271	23S40657F13	47uF	16V	E1	
C272	23S41198U42	220uF	25V	E1	
(Resistor)					
R251	06T55175F73	2.2K	1/2W	Rm	
R252	06T55175F73	2.2K	1/2W	Rm	
R253	06T55175F45	150	1/2W	Rm	
R254	06T55175F45	150	1/2W	Rm	
R255	06T55175F41	100	1/2W	Rm	
R256	06T55175F41	100	1/2W	Rm	
R259	06S44594P06	47K	1/4W	Rd	
R260	06S44593P89	10K	1/4W	Rd	
R261	06T55175F29	33	1/2W	Rm	
R262	06T55175F45	150	1/2W	Rm	
R264	06T55177F21	15	1W	Rm	
R265	06S44593P73	2.2K	1/4W	Rd	
R266	06S44593P73	2.2K	1/4W	Rd	
R267	06S44593P81	4.7K	1/4W	Rd	
R268	06S44593P41	100	1/4W	Rd	
R269	06S44594P14	100K	1/4W	Rd	
R270	06S44593P73	2.2K	1/4W	Rd	
R271	06S44593P73	2.2K	1/4W	Rd	
R272	06S44594P14	100K	1/4W	Rd	
R273	06S44593P97	22K	1/4W	Rd	
R274	06S44593P89	10K	1/4W	Rd	
R275	06S44593P89	10K	1/4W	Rd	
R276	06S44594P06	47K	1/4W	Rd	
R277	06T55175F45	150	1/2W	Rm	
R278	06S44594P30	470K	1/4W	Rd	
R280	06S44593P81	4.7K	1/4W	Rd	
R286	06T55175F69	1.5K	1/2W	Rm	
R287	06S44593P01	2.2K	1/4W	Rd	

Decoder PCB Parts List



Symbol No.	Stock No.	Description
D305	48T43189F01	1S1555
D306	48T43189F01	1S1555
D307	48T43189F01	1S1555
D308	48T43189F01	1S1555
D309	48T43189F01	1S1555
D310	48T43189F01	1S1555
D311	48T43189F01	1S1555
D313	48T43189F01	1S1555
D314	48T43189F01	1S1555
D315	48T43189F01	1S1555
D316	48T43189F01	1S1555
D317	48T43189F01	1S1555
D318	48T43189F01	1S1555
D319	48T43189F01	1S1555
D320	48T43189F01	1S1555
D321	48T43189F01	1S1555
D322	48T43189F01	1S1555
D323	48T43189F01	1S1555
D324	48T43189F01	1S1555
D325	48T43189F01	1S1555
D326	48T43189F01	1S1555
D327	48T43189F01	1S1555
D328	48T43189F01	1S1555
D329	48T43189F01	1S1555
D330	48T43189F01	1S1555
D331	48T43189F01	1S1555
D332	48T43189F01	1S1555
D333	48T34189F01	1S1555
D334	48T34189F01	1S1555
D335	48T34189F01	1S1555
D336	48T52739F37	HZ6B-1 Zener
D337	48T43189F01	1S1555
D338	48T52739F01	HZ11A-1 Zener
(Capacitor)		
C301	08S44505P49	0.001uF Ce
C302	23S40657F13	47uF 16V E1
C303	21S40655F23	100pF Ce
C304	21S40655F23	100pF Ce
C305	08S40805F22	0.04uF Ce
C306	08S40805F22	0.04uF Ce
C307	08S40805F22	0.04uF Ce
C308	08S40805F22	0.04uF Ce
C309	23S40657F27	0.47uF 50V E1
C310	08S40805F22	0.04uF Ce
C311	08S40805F22	0.04uF Ce
C312	08S40805F22	0.04uF Ce
C313	08S40805F22	0.04uF Ce
C314	08S40805F22	0.04uF Ce
C315	08S40805F22	0.04uF Ce
C316	08S40805F22	0.04uF Ce
C317	08S40805F22	0.04uF Ce
C318	08S40805F22	0.04uF Ce
C320	08S40805F22	0.04uF Ce
C320	23S40657F10	10uF 16V E1
C321	23S40657F10	10uF 16V E1
C322	23S40657F14	100uF 16V E1
C323	23S40657F13	47uF 16V E1
C324	08S40805F22	0.04uF Ce

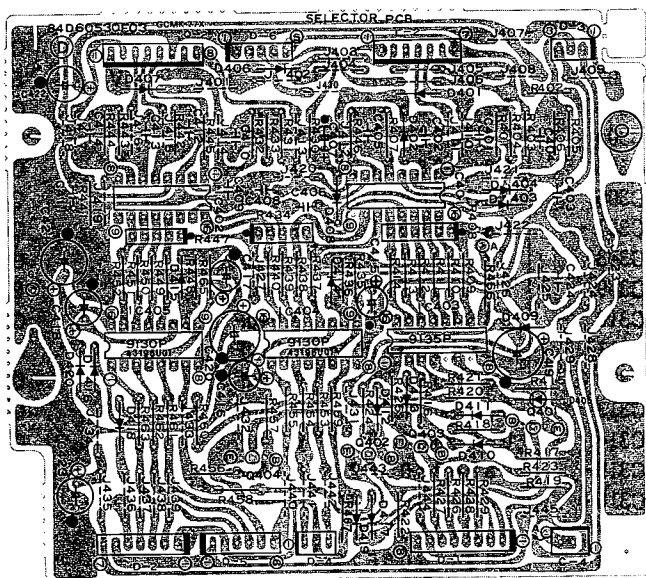
Symbol No.	Stock No.	Description
(Jack)		
T301	09T50261F01	Control TUNER
T302	09T50261F01	Control DECK
T303	09T56274F01	Din 4p TURNTABLE
(Resonat, Ceramic)		
X301	91T55305F01	CSB455A
(IC)		
IC301	51T60536F01	TC9134
IC302	51T60526F01	LB1240
IC303	51T60526F01	LB1240
(Transistor)		
Q301	48S43525F05	2SC1815 Y, GR
Q302	48S43525F05	2SC1815 Y, GR
Q303	48S43525F05	2SC1815 Y, GR
Q304	48S43525F05	2SC1815 Y, GR
Q305	48S43525F05	2SC1815 Y, GR
Q306	48S43525F05	2SC1815 Y, GR
Q307	48S43525F05	2SC1815 Y, GR
Q308	48S43525F05	2SC1815 Y, GR
Q309	48S43525F05	2SC1815 Y, GR
Q310	48S43525F05	2SC1815 Y, GR
Q311	48S43525F05	2SC1815 Y, GR
Q312	48S43525F05	2SC1815 Y, GR
Q313	48S43525F05	2SC1815 Y, GR
Q314	48S43525F05	2SC1815 Y, GR
Q315	48S43525F05	2SC1815 Y, GR
Q316	48S43525F05	2SC1815 Y, GR
Q317	48S43525F05	2SC1815 Y, GR
Q318	48S43525F05	2SC1815 Y, GR
Q319	48S43525F05	2SC1815 Y, GR
Q320	48S43525F05	2SC1815 Y, GR
Q321	48S43525F05	2SC1815 Y, GR
(Diode)		
D301	48T43189F01	1S1555
D302	48T43189F01	1S1555
D303	48T43189F01	1S1555
D304	48T43189F01	1S1555

LX-104

Symbol No.	Stock No.	Description		
(Resistor)				
R301	06S44593P17	10	1/4W	Rd
R302	06S44593P81	4.7K	1/4W	Rd
R303	06S44593P81	4.7K	1/4W	Rd
R304	06S44594P06	47K	1/4W	Rd
R305	06S44593P97	22K	1/4W	Rd
R306	06S44593P69	1.5K	1/4W	Rd
R307	06S44593P89	10K	1/4W	Rd
R308	06S44593P97	22K	1/4W	Rd
R309	06S44594P06	47K	1/4W	Rd
R310	06S44594P06	47K	1/4W	Rd
R311	06S44593P93	15K	1/4W	Rd
R312	06S44593P81	4.7K	1/4W	Rd
R313	06S44593P81	4.7K	1/4W	Rd
R314	06S44594P06	47K	1/4W	Rd
R315	06S44593P57	470	1/4W	Rd
R316	06S44594P14	100K	1/4W	Rd
R317	06S44593P97	22K	1/4W	Rd
R318	06S44593P97	22K	1/4W	Rd
R319	06S44594P14	100K	1/4W	Rd
R320	06S44593P97	22K	1/4W	Rd
R321	06S44594P14	100K	1/4W	Rd
R322	06S44593P97	22K	1/4W	Rd
R323	06S44594P14	100K	1/4W	Rd
R324	06S44594P14	100K	1/4W	Rd
R325	06S44593P97	22K	1/4W	Rd
R326	06S44593P97	22K	1/4W	Rd
R327	06S44594P14	100K	1/4W	Rd

Symbol No.	Stock No.	Description		
R328	06S44593P97	22K	1/4W	Rd
R329	06S44594P14	100K	1/4W	Rd
R330	06S44593P57	470	1/4W	Rd
R331	06S44593P41	100	1/4W	Rd
R332	06S44593P97	22K	1/4W	Rd
R333	06S44594P14	100K	1/4W	Rd
R334	06S44593P97	22K	1/4W	Rd
R335	06S44594P14	100K	1/4W	Rd
R336	06S44593P65	1K	1/4W	Rd
R337	06S40150T57	470	1/4W	Rd
R338	06S44593P97	22K	1/4W	Rd
R339	06S44594P14	100K	1/4W	Rd
R340	06S44593P97	22K	1/4W	Rd
R341	06S44594P14	100K	1/4W	Rd
R342	06S44593P97	22K	1/4W	Rd
R343	06S44594P14	100K	1/4W	Rd
R344	06S44593P97	22K	1/4W	Rd
R345	06S44594P14	100K	1/4W	Rd
R346	06S44593P81	4.7K	1/4W	Rd
R347	06S44594P22	220K	1/4W	Rd
R348	06S44594P06	47K	1/4W	Rd
R349	06S44594P06	47K	1/4W	Rd
R350	06S44593P81	4.7K	1/4W	Rd
R351	06S44593P69	1.5K	1/4W	Rd
R352	06S44593P97	22K	1/4W	Rd
R353	06S44594P14	100K	1/4W	Rd
R354	06S44593P89	10K	1/4W	Rd

Selector PCB Parts List

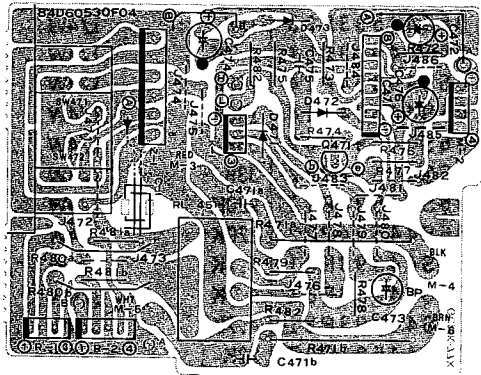


Symbol No.	Stock No.	Description
(IC)		
IC401	51T60540F01	TD62004P
IC402	51T60540F01	TD62004P
IC403	51T58406F01	TC9135P
IC404	51T43196U01	Touch SW
IC405	51T43196U01	Touch SW
(Transistor)		
Q401	48T51118F01	2SA1015-Y
Q402	48S43525F05	2SC1815-Y, GR
Q403	48S43525F05	2SC1815-Y, GR
Q404	48S43525F05	2SC1815-Y, GR
(Diode)		
D401	48T43189F01	1S1555
D402	48T43189F01	1S1555
D403	48T43189F01	1S1555
D404	48T43189F01	1S1555
D405	48T60971F01	LTZ-R15
D406	48T43189F01	1S1555
D407	48T43189F01	1S1555
D408	48T43189F01	1S1555
D409	48T43189F01	1S1555
D410	48T43189F01	1S1555
D411	48T43189F01	1S1555
D412	48T43189F01	1S1555
D413	48T43189F01	1S1555

Symbol No.	Stock No.	Description			
D414	48T43189F01	1S1555			
D415	48T43189F01	1S1555			
D416	48T43189F01	1S1555			
D417	48T43189F01	1S1555			
D418	48T43189F01	1S1555			
D419	48T43189F01	1S1555			
D420	48T43189F01	1S1555			
(Capacitor)					
C401	08S40805F22	0.04uF		Ce	
C402	08S40805F22	0.04uF		Ce	
C403	08S40805F22	0.04uF		Ce	
C404	08S40805F22	0.04uF		Ce	
C405	08S40805F22	0.04uF		Ce	
C406	08S40805F22	0.04uF		Ce	
C407	23S40657F27	0.47uF	50V	E1	
C408	08S40805F22	0.04uF		Ce	
C409	08S40805F22	0.04uF		Ce	
C410	08S40805F22	0.04uF		Ce	
C411	08S40805F22	0.04uF		Ce	
C412	08S40805F22	0.04uF		Ce	
C413	08S40805F22	0.04uF		Ce	
C414	08S40805F22	0.04uF		Ce	
C415	23T42478F18	0.1uF	50V LN	E1	
C416	23T42478F18	0.1uF	50V LN	E1	
C417	23T42478F18	0.1uF	50V LN	E1	
C418	23T42478F18	0.1uF	50V LN	E1	
C419	23S41198U56	470uF	16V	E1	
C420	23S41198U56	470uF	16V	E1	
C421	23S41198U56	470uF	16V	E1	
C422	23S40657F14	100uF	16V	E1	
C423	23S40657F14	100uF	16V	E1	
(Resistor)					
R401	06S44594P14	100K	1/4W	Rd	
R402	06S44593P41	100	1/4W	Rd	
R403	06S44593P41	100	1/4W	Rd	
R404	06S44594P14	100K	1/4W	Rd	
R405	06S44594P14	100K	1/4W	Rd	
R406	06S44594P14	100K	1/4W	Rd	
R407	06S44594P14	100K	1/4W	Rd	
R408	51T51133F05	100Kx5		Ne	
R409	06S44594P22	220K	1/4W	Rd	
R410	06S44593P97	22K	1/4W	Rd	
R411	06S44593P97	22K	1/4W	Rd	
R412	06S44593P97	22K	1/4W	Rd	
R413	06S44593P97	22K	1/4W	Rd	
R414	06S44593P97	22K	1/4W	Rd	
R415	06S44594P02	33K	1/4W	Rd	
R416	06S44593P93	15K	1/4W	Rd	
R417	06S44593P89	10K	1/4W	Rd	

Symbol No.	Stock No.	Description			
R418	06S44593P93	15K	1/4W	Rd	
R419	06S44593P81	4.7K	1/4W	Rd	
R420	06S44594P14	100K	1/4W	Rd	
R421	06S44594P14	100K	1/4W	Rd	
R422	06S44594P02	33K	1/4W	Rd	
R423	06S44594P02	33K	1/4W	Rd	
R424	06S44594P22	220K	1/4W	Rd	
R425	06S44594P22	220K	1/4W	Rd	
R426	06S44593P81	4.7K	1/4W	Rd	
R427	06S44593P81	4.7K	1/4W	Rd	
R428	06S44593P81	4.7K	1/4W	Rd	
R429	06S44593P97	22K	1/4W	Rd	
R430	06S44593P41	100	1/4W	Rd	
R431	06S44594P14	100K	1/4W	Rd	
R432	06S44594P14	100K	1/4W	Rd	
R433	06S44594P14	100K	1/4W	Rd	
R434	51T51133F02	100Kx4		Ne	
R435	06S44594P06	47K	1/4W	Rd	
R436	06S44593P97	22K	1/4W	Rd	
R437	06S44593P97	22K	1/4W	Rd	
R438	06S44593P97	22K	1/4W	Rd	
R439	06S44593P97	22K	1/4W	Rd	
R440	06S44593P97	22K	1/4W	Rd	
R441	06S44594P14	100K	1/4W	Rd	
R442	06S44594P14	100K	1/4W	Rd	
R443	06S44594P14	100K	1/4W	Rd	
R444	06S44594P14	100K	1/4W	Rd	
R445	06S44593P81	4.7K	1/4W	Rd	
R446	06S44594P14	100K	1/4W	Rd	
R447	51T51133F02	100Kx4		Ne	
R448	06S44593P97	22K	1/4W	Rd	
R449	06S44593P97	22K	1/4W	Rd	
R450	06S44593P97	22K	1/4W	Rd	
R451	06S44593P97	22K	1/4W	Rd	
R452	06S44593P97	22K	1/4W	Rd	
R453	06S44593P81	4.7K	1/4W	Rd	
R454	06S44593P81	4.7K	1/4W	Rd	
R455	06S44593P81	4.7K	1/4W	Rd	
R456	06S44593P97	22K	1/4W	Rd	
R457	06S44594P06	47K	1/4W	Rd	
R458	06S44593P81	4.7K	1/4W	Rd	
R459	06S44593P83	5.6K	1/4W	Rd	
R460	06S44593P81	4.7K	1/4W	Rd	
R461	06S44593P81	4.7K	1/4W	Rd	
R462	06S44593P81	4.7K	1/4W	Rd	
R463	06S44593P81	4.7K	1/4W	Rd	
R465	06S44594P06	47K	1/4W	Rd	
R466	06S44593P89	10K	1/4W	Rd	
R467	06S44593P83	5.6K	1/4W	Rd	

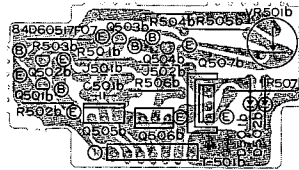
SP SW PCB Parts List



Symbol No.	Stock No.	Description
(SW, Push)		
SW471	40T53207F01	SUL211S SP A
SW472	40T53207F01	SUL211S SP B
(IC)		
IC471	51T60527F01	UPC1237H
(Relay)		
RL451	80T53350F01	G2Z-222P-US
(Transistor)		
Q471	48T51118F01	2SA1015Y

Symbol No.	Stock No.	Description			
(Diode)					
D471	48T55186F01	GP10D			
D472	48T43189F01	1S1555			
D473	48T55186F01	GP10D			
(Capacitor)					
C471a,b	08S40656F21	0.047uF			My
C472	23S40657F35	47uF	50V		E1
C473	23T41366F11	100uF	10V NP		E1
C474	23S40657F28	1uF	50V		E1
C475	08S40656F17	0.022uF			My
C476	23S40657F35	47uF	50V		E1
(Resistor)					
R471a,b	06T56661F17	10	3W		Rm
R472	06S44594P20	180K	1/4W		Rd
R473	06S44593P83	5.6K	1/4W		Rd
R474	06S44593P53	330	1/4W		Rd
R475	06S44593P85	6.8K	1/4W		Rd
R476	06S44593P65	1K	1/4W		Rd
R477	06S44594P14	100K	1/4W		Rd
R478	06S44594P08	56K	1/4		Rd
R479	06S44594P18	150K	1/4W		Rd
R480a,b	06T55177F53	33	1W		Rm
R481a,b	06S44593P89	10K	1/4W		Rd
R482	06S44593P61	680	1/4W		Rd
R482	06S44594P18	150K	1/4W		Rd

Main Drive PCB Parts List

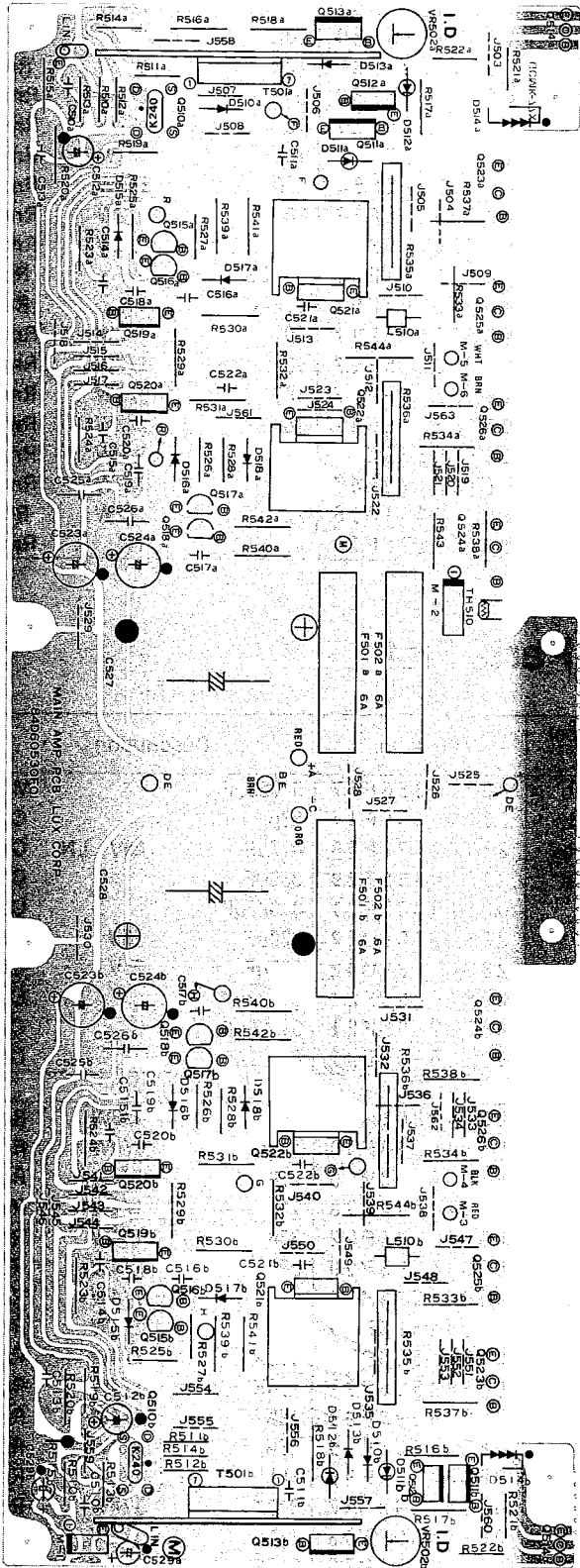


Symbol No.	Stock No.	Description
(Transistor)		
Q501a,b	48T51121F01	2SA992
Q502a,b	48T51121F01	2SA992
Q503a,b	48T51121F01	2SA992
Q504a,b	48T51121F01	2SA992
Q505a,b	48T60531F01	2SC2704 O, Y
Q506a,b	48T60531F01	2SC2704 O, Y
Q507a,b	48T60531F01	2SC2704 O, Y
(Resistor, Variable)		
VR501a,b	18T43733P10	1K-1/2W
(LED)		
D501a,b	4 8 T 60971F 0 1	L TZ-R15

Symbol No.	Stock No.	Description			
D502a,b	48T60971F01	L TZ-R15			
(capacitor)					
C501a,b	08T42081U01	100pF			Po
(Resistor)					
R501a,b	06S44594P14	100K	1/4W		Rd
R402a,b	06S44593P65	1K	1/4W		Rd
R503a,b	06T55175F29	33	1/2W		Rm
R504a,b	06S44593P41	100	1/4W		Rd
R505a,b	06T55175F29	33	1/2W		Rm
R506a,b	06S44593P33	47	1/4W		Rd
R507a,b	06T55175F51	270	1/2W		Rm

LX-104

Main Amp PCB Parts List



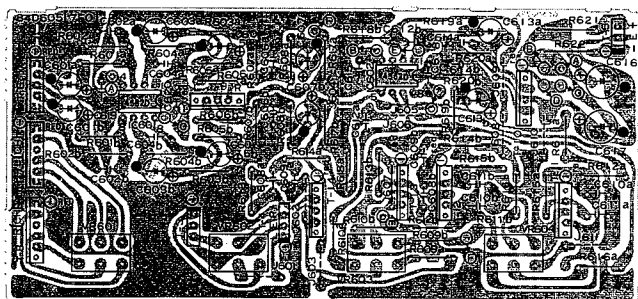
Symbol No.	Stock No.	Description	
(Variable Resistor)			
VR502a,b	18C41732G07	1K-B	
(Fuse)			
F501a,b	65T56270F01	61ML 6-125	
F502a,b	65T56270F01	61ML 6-125	
(Holder, Fuse)			
F501a,b	09T51960F01	YSH-401T	
F502a,b	09T51960F01	YSH-401T	
(Posistor)			
TH510	48T60529F01	PTH487A01	
(Coil)			
L510a,b	24T51105F01	Coil, Choke	
(Trnsistor, FET)			
Q510a,b	48T60558F03	2SK240 BL FET	
Q511a,b	48T60532F01	2SA1144 O, Y	
Q512a,b	48T60532F01	2SA1144 O, Y	
Q513a,b	48T60531F01	2SC2704 O, Y	
Q514a,b	48T47682F02	2SC1845 FA	
Q515a,b	48T51118F01	2SA1015Y	
Q516a,b	48S43525F05	2SC1815Y, GR	
Q517a,b	48S43525F05	2SC1815Y, GR	
Q518a,b	48T51118F01	2SA1015Y	
Q519a,b	48T60531F01	2SC2704 O, Y	
Q520a,b	48T60532F01	2SA1144 O, Y	
Q521a,b	48T60555F01	2SC3298 O, Y	
Q522a,b	48T60556F01	2SA1306 O, Y	
Q523a,b	48T60533F01	2SC3281 R, O	
Q524a,b	48T60534F01	2SA1302 R, O	
Q525a,b	48T60533F01	2SC3281 R, O	
Q526a,b	48T60534F01	2SC1302 R, O	
(Diode, LED, Varistor)			
D510a,b	48T51117F01	1S1553	
D511a,b	48T60971F01	LTZ-R15 LED	
D512a,b	48T60971F01	LTZ R15 LED	
D513a,b	48T51117F01	1S1553	
D514a,b	48T53389F02	STV-3H Y Varistor	
D515a,b	48T51117F01	1S1553	
D516a,b	48T51117F01	1S1553	
D517a,b	48T51117F01	1S1553	
D518a,b	48T51117F01	1S1553	
(Capacitor)			
C510a,b	21S40655F25	150pF	Ce
C511a,b	08T55119F25	47pF	50V Mi
C512a,b	23S40657F10	10uF	16V E1
C513a,b	08T55119F30	68pF	Mi
C514a,b	21S40655F11	10pF	Ce
C515a,b	21S40655F11	10pF	Ce
C516a,b	08S40805F11	0.0022uF	Ce
C517a,b	08S40805F11	0.0022uF	Ce
C518a,b	08C42195G21	82pF	125V Ps
C519a,b	08S40656F25	0.1uF	My
C520a,b	08C42195G21	82pF	125V Ps
C521a,b	08C42195G20	47pF	125V Ps
C522a,b	08C42195G20	47pF	125V Ps
C523a,b	23S41198U39	100uF	100V E1
C524a,b	23S41198U39	100uF	100V E1
C525a,b	08T44481F61	0.1uF	Pp
C526a,b	08T44481F61	0.1uF	Pp
C527	23T55290F02	10000uF	75V E1

LX-104

Symbol No.	Stock No.	Description		
C528	23T55290F02	1000uF	75V	E1
C529a,b	23S40657F28	1uF	50V	E1
(resistor)				
R510a,b	06S44593P41	100	1/4W	Rd
R511a,b	06S44593P17	10	1/4W	Rd
R512a,b	06S44593P17	10	1/4W	Rd
R513a,b	06S44594P06	47K	1/4W	Rd
R514a,b	06S44593P87	8.2K	1/4W	Rd
R515a,b	06D40801G31	47	1/2W	Rd
R516a,b	06T55175F17	10	1/2W	Rm
R517a,b	06D40802G06	56K	1/2W	Rd
R518a,b	06T55175F43	120	1/2W	Rm
R519a,b	06S44594P38	1M	1/4W	Rd
R520a,b	06D40801G67	1.5K	1/2W	Rd
R521a,b	06S44593P73	2.2K	1/4W	Rd
R522a,b	06S44593P61	680	1/4W	Rd
R523a,b	06T55175F41	100	1/2W	Rm
R524a,b	06T55175F41	100	1/2W	Rm
R525a,b	06S44593P85	6.8K	1/4W	Rd

Symbol No.	Stock No.	Description		
R526a,b	06S44593P85	6.8K	1/4W	Rd
R527a,b	06S44593P89	10K	1/4W	Rd
R528a,b	06S44593P89	10K	1/4W	Rd
R529a,b	06T55175F59	560	1/2W	Rm
R530a,b	06T55175F17	10	1/2W	Rm
R531a,b	06T55175F17	10	1/2W	Rm
R532a,b	06T55175F51	270	1/2W	Rm
R533a,b	06T55175F17	10	1/2W	Rm
R534a,b	06T55175F17	10	1/2W	Rm
R535a,b	06T51107F01	0.22x2	5W	Rc
R536a,b	06T51107F01	0.22x2	5W	Rc
R537a,b	06T55175F17	10	1/2W	Rm
R538a,b	06T55175F17	10	1/2W	Rm
R539a,b	06T55175F47	180	1/2W	Rm
R540a,b	06T55175F47	180	1/2W	Rm
R541a,b	06T55175F47	180	1/2W	Rm
R542a,b	06T55175F47	180	1/2W	Rm
R543	06D40801G95	22K	1/2W	Rd
R544a,b	06T55177F13	6.8	1W	Rm

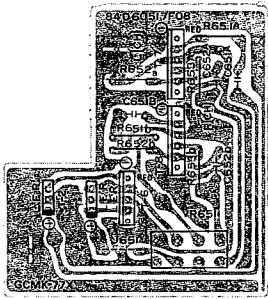
Tone Control PCB Parts List



Symbol No.	Stock No.	Description		
C611a,b	08S40656F17	0.022uF		My
C612a,b	21S40655F17	33pF		Ce
C613a,b	23T42478F09	4.7uF	25V LN	Ce
C614a,b	21S40655F29	330pF		Ce
C615	08S40805F21	0.022uF		Ce
C616	23S41198U42	220uF	25V	E1
C617	23S41198U42	220uF	25V	E1
C618	08S40805F21	0.022uF		Ce
C619	08S40805F21	0.022uF		Ce
C620	08S40805F21	0.022uF		Ce
(Resistor)				
R601a,b	06D40801G71	2.2K	1/2W	Rd
R602a,b	06S44594P30	470K	1/4W	Rd
R603a,b	06S44593P85	6.8K	1/4W	Rd
R604a,b	06S44594P38	1M	1/4W	Rd
R605a,b	06S44594P02	33K	1/4W	Rd
R606a,b	06S44593P59	560	1/4W	Rd
R607a,b	06S44594P30	470K	1/4W	Rd
R608a,b	06S44593P69	1.5K	1/4W	Rd
R609a,b	06S44593P71	1.8K	1/4W	Rd
R610a,b	06S44593P71	1.8K	1/4W	Rd
R611a,b	06S44593P95	18K	1/4W	Rd
R612a,b	06S44593P95	18K	1/4W	Rd
R613a,b	06S44594P38	1M	1/4W	Rd
R614a,b	06S44593P77	3.3K	1/4W	Rd
R615a,b	06S44594P38	1M	1/4W	Rd
R616a,b	06S44593P75	2.7K	1/4W	Rd
R617a,b	06S44594P14	100K	1/4W	Rd
R618a,b	06S44594P30	470K	1/4W	Rd
R619a,b	06S44593P59	560	1/4W	Rd
R620a,b	06S44594P30	470K	1/4W	Rd
R621a,b	06T55175F49	220	1/2W	Rd
R622a,b	06T55175F49	220	1/2W	Rd

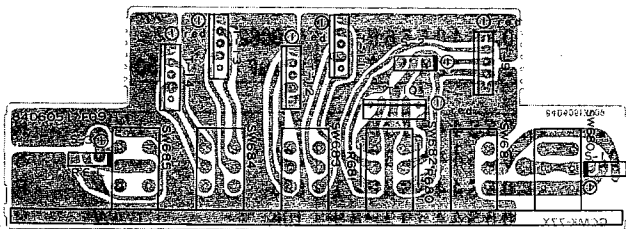
Symbol No.	Stock No.	Description		
(VR, Rotary)				
VR601	18T53213F02	100KAx2 loudness		
VR602	18T53213F03	250KMN balance		
VR603	18T60516F01	50KBx2 treble		
VR604	18T60515F01	100KBx2 bass		
(IC)				
IC601	51T53311F01	4562D-D		
IC602	51T53311F01	4562D-D		
(Capacitor)				
C601a,b	23T42478F05	10uF	16V LN	E1
C602a,b	21S40655F19	47uF		Ce
C603a,b	23T42478F05	10uF	16V LN	E1
C604a,b	21S40655F17	33pF		Ce
C605a,b	23T42478F09	4.7uF	25V LN	E1
C606a,b	21S40655F09	47pF		Ce
C607a,b	23T42478F05	10uF	16V LN	E1
C608a,b	08T52448F07	0.00056uF		Pp
C609a,b	08T52448F07	0.00056uF		Pp
C610a,b	08S40656F17	0.022uF		My

VR Cont PCB Parts List



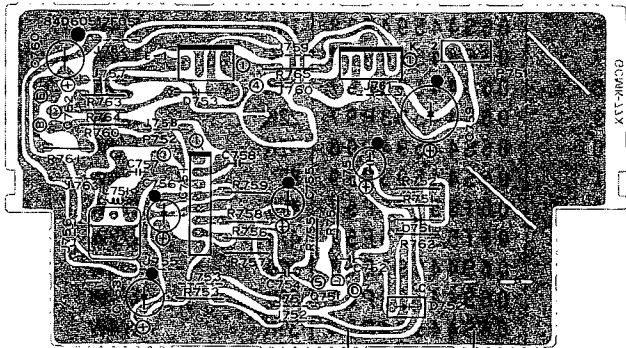
Symbol No.	Stock No.	Description		
(VR, Rotary)				
VR651	18T60518F01	100KBx2 VOLUME		
(Capacitor)				
C651a,b	08S40656F04	0.0018uF		My
C652a,b	08S40656F19	0.033uF		My
(Resistor)				
R651a,b	06S44593P71	1.8K	1/4W	Rd
R652a,b	06S44593P83	5.6K	1/4W	Rd
R653a,b	06S44593P81	4.7K	1/4W	Rd

Filter SW PCB Parts List



Symbol No.	Stock No.	Description		
(Switch, Push)				
SW680	40T60519F01	SUL 6KEY TAPE		
SW681	40T60519F01	SUL 6KEY DUBBING		
SW682	40T60519F01	SUL 6KEY TONE IN		
SW683	40T60519F01	SUL 6KEY BASS		
SW684	40T60519F01	SUL 6KEY TREBLE		
SW685	40T60519F01	SUL 6KEY MIC		
(Resistor)				
R680	06S44594P38	1M	1/4W	Rd
R681	06S44594P38	1M	1/4W	Rd

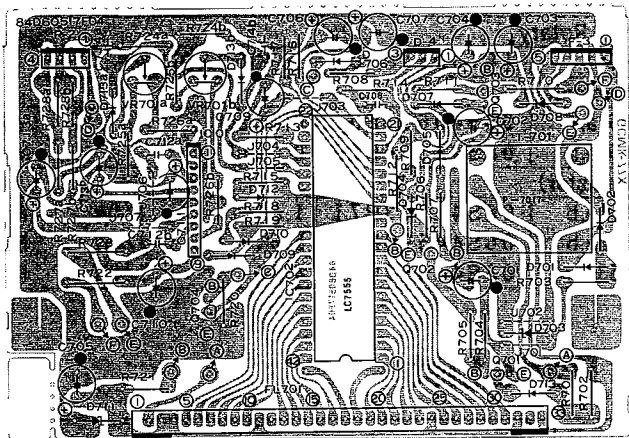
IR Pre Amp PCB Parts List



Symbol No.	Stock No.	Description		
(Capacitor)				
C751	23S40657F10	10uF	16V	E1
C752	21S40655F30	470pF		Ce
C753	23S40657F14	100uF	16V	E1
C754	08S40805F07	0.001uF		Ce
C755	23S40657F31	4.7uF	50V	E1
C756	23S40657F10	10uF	16V	E1
C757	08T52448F25	0.0033uF		Pp
C758	08S40656F25	0.1uF		My
C759	23S41198U56	470uF	16V	E1
C760	23S41198U56	470uF	16V	E1
(Resistor)				
R751	06S44593P97	22K	1/4W	Rd
R752	06S44593P97	22K	1/4W	Rd
R753	06S44593P73	2.2K	1/4W	Rd
R754	06S44594P46	2.2M	1/4W	Rd
R755	06S44593P77	3.3K	1/4W	Rd
R756	06S44593P01	2.2	1/4W	Rd
R757	06S44594P30	470K	1/4W	Rd
R758	06S44593P41	100	1/4W	Rd
R759	06S44594P22	220K	1/4W	Rd
R760	06S44594P02	33K	1/4W	Rd
R761	06S44594P22	220K	1/4W	Rd
R762	06S44594P42	1.5M	1/4W	Rd
R763	06S44593P73	2.2K	1/4W	Rd
R764	06S44593P81	4.7K	1/4W	Rd
R765	06T55175F41	100	1/2W	Rm

Symbol No.	Stock No.	Description
(Coil, Peaking)		
L751	24T56009F01	M-10B
(IC)		
IC751	51T51506F01	uPC1373H
(Transistor & FET)		
Q751	48T51539F01	2SK117Y FET
Q752	48T51118F01	2SA1015Y
(Dio de)		
D751	48T43189F01	1S1555
D752	48T60522F01	TPS703 Photo
D753	48T43189F01	1S1555

FL—Peak Ind. PCB Parts List



Symbol No.	Stock No.	Description		
D711	48T52739F47	HZ7B-2 Zener		
D712	48T43189F01	1S1555		
D713	48T43189F01	1S1555		
(Capacitor)				
C701	23S40657F14	100uF	16V	E1
C702	23S40657F10	10uF	16V	E1
C703	23S40657F13	47uF	16V	E1
C704	23S40657F13	47uF	16V	E1
C705	23S40657F10	10uF	16V	E1
C706	23S40657F30	3.3uF	50V	E1
C707	23S40657F30	3.3uF	50V	E1
C708	08S40656F01	0.001uF		My
C709	23S40657F28	1uF	50V	E1
C710	23S40657F13	47uF	16V	E1
C711	23S40657F08	10uF	16V	E1
C712a,b	08S40656F12	0.0082uF		My
C713a,b	23T42478F18	0.1uF	50V LN	E1
(Resistor)				
R701	06S44593P49	220	1/4W	Rd
R702	06S44593P49	220	1/4W	Rd
R703	06S44593P61	680	1/4W	Rd
R704	06S44593P89	10K	1/4W	Rd
R705	06S44593P89	10K	1/4W	Rd
R706	06S44594P06	47K	1/4W	Rd
R707	06S44593P81	4.7K	1/4W	Rd
R708	06S44593P89	10K	1/4W	Rd
R709	06S44593P61	680	1/4W	Rd
R710	06T55175F25	22	1/2W	Rm
R711	06S44593P63	820	1/4W	Rd
R712	06T55175F53	330	1/2W	Rm
R714	06S44594P08	56K	1/4W	Rd
R715	06S44594P22	220K	1/4W	Rd
R716	06S44594P38	1M	1/4W	Rd
R717	06S44594P38	1M	1/4W	Rd
R718	06S44593P97	22K	1/4W	Rd
R719	06S44593P97	22K	1/4W	Rd
R720	06S44594P06	47K	1/4W	Rd
R721	06S44593P39	82	1/4W	Rd
R722	06T55175F57	470	1/2W	Rm
R723	06T55175F57	470	1/2W	Rm
R725a,b	06S44593P63	820	1/4W	Rd
R726a,b	06S44593P61	680	1/4W	Rd
R727a,b	06S44594P04	39K	1/4W	Rd
R728a,b	06S44593P65	1K	1/4W	Rd

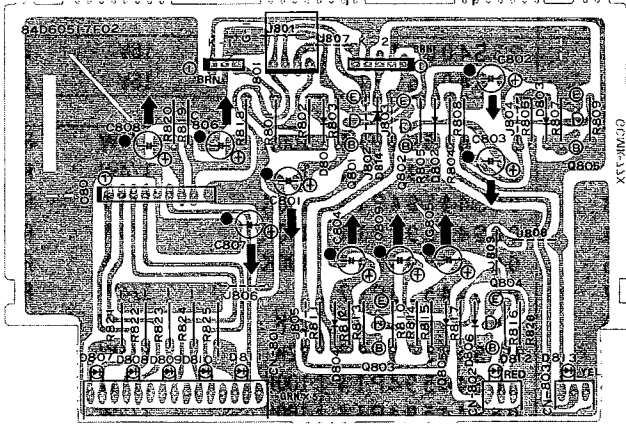
Symbol No.	Stock No.	Description	
(FL Meter)			
FL701	65T60523F01	FIP12FW7YS	
(Variable Resistor)			
VR701a,b	18B44064J01	470B	1/2W
(Trans, Power)			
T701	25T60525F01	P-7017	
(IC)			
IC701	51T53313F01	TA7318P-L	
IC702	51T60524F01	LC7555	
(Transistor)			
Q701	48S43525F05	2SC1815Y, GR	
Q702	48T51118F01	2SA1015Y	
Q703	48S43525F05	2SC1815Y, GR	
Q704	48S43525F05	2SC1815Y, GR	
(Diode)			
D701	48T55186F01	GP10D	
D702	48T55186F01	GP10D	
D703	48T52739F47	HZ7B-2 Zener	
D704	48T52739F32	HZ5C-2 Zener	
D705	48T43189F01	1S1555	
D706	48T43189F01	1S1555	
D707	48T43189F01	1S1555	
D708	48T52739F62	HZ11A-2	
D709	48T43189F01	1S1555	
D710	48T43189F01	1S1555	

HD Phone PCB Parts List



Symbol No.	Stock No.	Description
(Jack, HD Phone)		
J-1	09T56010F01	M1669

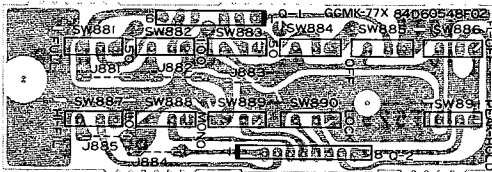
REM Display PCB Parts List



Symbol No.	Stock No.	Description
(IC)		
IC801	51T51086F06	BA6125
(Transistor)		
Q801	48S43525F05	2SC1815Y, GR
Q802	48S43525F05	2SC1815Y, GR
Q803	48S43525F05	2SC1815Y, GR
Q804	48S43525F05	2SC1815Y, GR
Q805	48S43525F05	2SC1815Y, GR
(Diode, LED)		
D801	48T43189F01	1S1555
D802	48T43189F01	1S1555
D803	48T43189F01	1S1555
D804	48T43189F01	1S1555
D805	48T43189F01	1S1555
D806	48T43189F01	1S1555
D807	48T61135F01	LED, SLP244B GRN
D808	48T61135F01	LED, SLP244B GRN
D809	48T61135F01	LED, SLP244B GRN
D810	48T61135F01	LED, SLP244B GRN
D811	48T61135F01	LED, SLP244B GRN
D812	48T50885F01	LED, SLP144B RED

Symbol No.	Stock No.	Description		
D813	48T60554F01	LED, SLP144B YEL		
D814	48T43189F01	1S1555		
(Capacitor)				
C801	23S40657F10	10uF	16V	E1
C802	23S40657F12	33uF	16V	E1
C803	23S40657F12	33uF	16V	E1
C804	23S40657F27	0.47uF	50V	E1
C805	23S40657F10	10uF	16V	E1
C806	23S40657F27	0.47uF	50V	E1
C807	23S40657F10	10uF	16V	E1
C808	23S40657F10	10uF	16V	E1
C809	23S40657F10	10uF	16V	E1
(Resistor)				
R801	06S44593P49	220	1/4W	Rd
R802	06S44593P97	22K	1/4W	Rd
R803	06S44593P89	10K	1/4W	Rd
R804	06S44593P65	1K	1/4W	Rd
R805	06S44594P38	1M	1/4W	Rd
R806	06S44593P95	1.8K	1/4W	Rd
R807	06S44594P38	1M	1/4W	Rd
R808	06S44593P97	22K	1/4W	Rd
R809	06S44593P79	3.9K	1/4W	Rd
R810	06S44593P73	2.2K	1/4W	Rd
R811	06S44594P06	47K	1/4W	Rd
R812	06S44594P02	33K	1/4W	Rd
R813	06S44594P14	100K	1/4W	Rd
R814	06S44593P17	10	1/4W	Rd
R815	06S44593P97	22K	1/4W	Rd
R816	06S44593P57	470	1/4W	Rd
R817	06S44593P57	470	1/4W	Rd
R818	06S44593P65	1K	1/4W	Rd
R819	06S44593P71	1.8K	1/4W	Rd
R820	06S44593P89	10K	1/4W	Rd
R821	06D40801G59	680	1/2W	Rd
R822	06D40801G59	680	1/2W	Rd
R823	06D40801G59	680	1/2W	Rd
R824	06D40801G59	680	1/2W	Rd
R825	06D40801G59	680	1/2W	Rd
R826	06S44593P33	47	1/4W	Rd

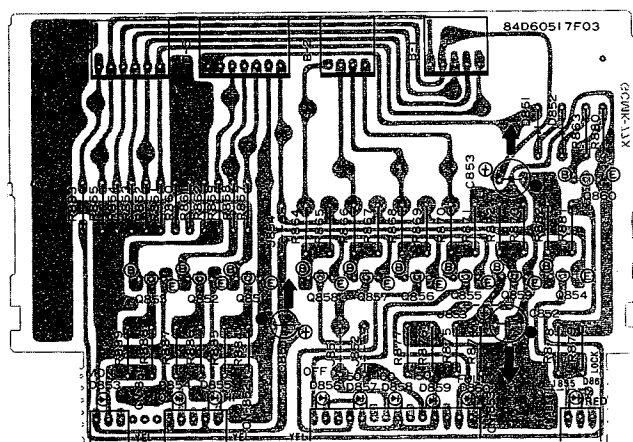
Tact SW PCB Parts List



Symbol No.	Stock No.	Description
(Switch, Push)		
SW881	40T53211F01	SPQ009B
SW882	40T53211F01	SPQ009B
SW883	40T53211F01	SPQ009B
SW884	40T53211F01	SPQ009B
SW885	40T53211F01	SPQ009B
SW886	40T53211F01	SPQ009B
SW887	40T53211F01	SPQ009B
SW888	40T53211F01	SPQ009B
SW889	40T53211F01	SPQ009B
SW890	40T53211F01	SPQ009B
SW891	40T53211F01	SPQ009B

LX-104

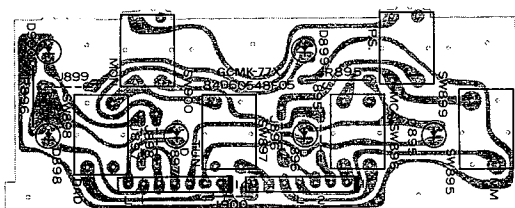
3D Display PCB Parts List



Symbol No.	Stock No.	Description		
C852	23S40657F10	10uF	16V	E1
C853	23S40657F10	10uF	16V	E1
(resistor)				
R851	06S44594P14	100K	1/4W	Rd
R852	06S44594P14	100K	1/4W	Rd
R853	06S44594P14	100K	1/4W	Rd
R854	06S44594P14	100K	1/4W	Rd
R855	06S44594P14	100K	1/4W	Rd
R857	06S44593P97		1/4W	Rd
R858	06S44594P97	22K	1/4W	Rd
R859	06S44593P97	22K	1/4W	Rd
R860	06S44594P14	100K	1/4W	Rd
R861	06S44594P14	100K	1/4W	Rd
R862	06S44594P14	100K	1/4W	Rd
R863	06S44593P97	22K	1/4W	Rd
R864	06S44594P02	33K	1/4W	Rd
R865	06S44593P97	22K	1/4W	Rd
R866	06S44594P02	33K	1/4W	Rd
R867	06S44593P97	22K	1/4W	Rd
R868	06S44594P02	33K	1/4W	Rd
R869	06S44593P97	22K	1/4W	Rd
R870	06S44594P02	33K	1/4W	Rd
R871	06S44593P97	22K	1/4W	Rd
R872	06S44593P73	2.2K	1/4W	Rd
R873	06S44593P75	2.7K	1/4W	Rd
R874	06S44594P14	100K	1/4W	Rd
R875	06S44594P02	33K	1/4W	Rd
R876	06S44593P73	2.2K	1/4W	Rd
R877	06S44593P75	2.7K	1/4W	Rd
R878	06S44593P73	2.2K	1/4W	Rd
R879	06S44593P75	2.7K	1/4W	Rd
R880	06S44594P14	100K	1/4W	Rd
R881	06S44594P06	47K	1/4W	Rd
R882	06S44594P06	47K	1/4W	Rd
R883	06S44593P67	1.2K	1/4W	Rd
R884	06S44593P73	2.2K	1/4W	Rd
R885	06S44593P75	2.7K	1/4W	Rd
R886	06S44593P73	2.2K	1/4W	Rd
R887	06S44593P75	2.7K	1/4W	Rd
R888	06S44593P73	2.2K	1/4W	Rd
R889	06S44593P75	2.7K	1/4W	Rd

Symbol No.	Stock No.	Description		
(Transistor)				
Q851	48S43525F05	2SC1815Y, GR		
Q852	43S43525F05	2SC1815Y, GR		
Q853	48S43525F05	2SC1815Y, GR		
Q854	48S43525F05	2SC1815Y, GR		
Q855	48S51118F01	2SA1015Y		
Q856	48T51118F01	2SA1015Y		
Q857	48T51118F01	2SA1015Y		
Q858	48T51118F01	2SA1015Y		
Q859	48S43525F05	2SC1815Y, GR		
Q860	48T51118F01	2SA1015Y		
(Diode, LED)				
D851	48T43189F01	1S1555		
D852	48T43189F01	1S1555		
D853	48T60554F01	LED, SLP444B YEL		
D854	48T60554F01	LED, SLP444B YEL		
D855	48T60554F01	LED, SLP444B YEL		
D856	48T60554F01	LED, SLP444B YEL		
D857	48T60554F01	LED, SLP444B YEL		
D858	48T60554F01	LED, SLP444B YEL		
D859	48T60554F01	LED, SLP444B YEL		
D860	48T51118F01	2SA1015Y		
D861	48T50885F01	LED, SLP144B RED		
(Capacitor)				
C851	23S4657F10	10uF	16V	E1

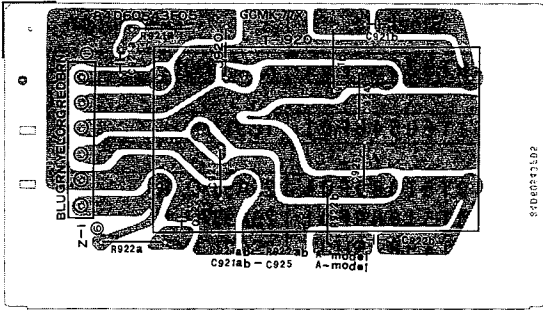
Function SW PCB Parts List



Symbol No.	Stock No.	Description		
SW899	40T52952F01	KHC10903 PHONO		
SW900	40T52952F01	KHC10903 MONITOR		
(LED)				
D895	48T52953F01	BR3432S RED MM		
D896	48T52953F01	BR3432S RED MC		
D897	48T52953F01	BR3432S RED TUNER		
D898	48T52953F01	BR3432S RED AUX		
D899	48T52953F01	BR3432S RED PHONO		
D900	48T52953F01	BR3432S RED MONITOR		
(Resistor)				
R895	06D40801G57	560	1/2W	Rd
R896	06D40801G57	560	1/2W	Rd

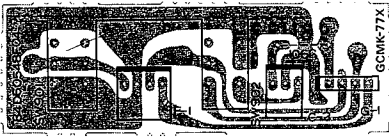
Symbol No.	Stock No.	Description		
(Switch)				
SW895	40T52952F01	KHC10903 MM		
SW896	40T52952F01	KHC10903 MC		
SW897	40T52952F01	KHC10903 TUNER		
SW898	40T52952F01	KHC10903 AUX		

SP. Terminal PCB Parts List



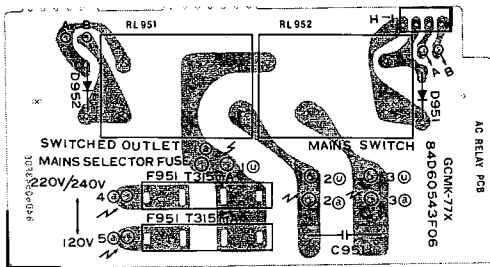
Symbol No.	Stock No.	Description
(Terminal, SP)		
T902	09T60544F01	T5887

Servo SW PCB Parts List



Symbol No.	Stock No.	Description
(Switch, Push)		
SW901-902	40T60520F01	SUL2KEY-2 SERVO/REMOTE

AC Relay PCB Parts List



Symbol No.	Stock No.	Description
(Relay)		
RL951	80T55299F01	G4W1112P-1001M
RL952	80T55299F01	G4W1112P-1001M
(Capacitor)		
C951	08T57437F09	DE7150 FZ 103P
(Diode)		
D951	48T55186F01	GP10D-AX
D952	48T55186F01	GP10D-AX
(Fuse)		
F951	65T42077U13	T-500mA (AK)
(Holder, Fuse)		
F951	09T51410F01	Semko (AK)

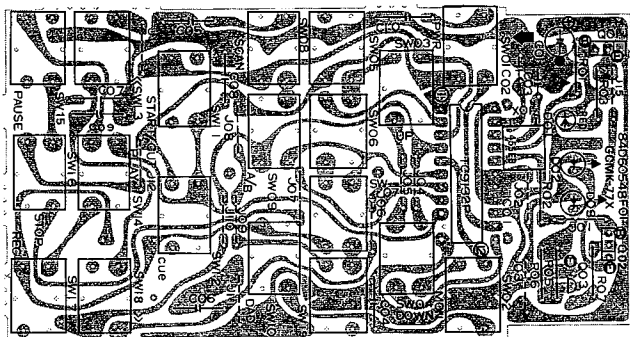
Power SW PCB Parts List



Symbol No.	Stock No.	Description
(SW, Push)		
SW999	40T55293F01	SUL121A

LX-104

Trans Mitter PCB Parts List



LX-104

Symbol No.	Stock No.	Description
(Switch)		
SW01	40T52951F01	KHC10901
SW02	40T52951F01	KHC10901
SW03	40T52951F01	KHC10901
SW04	40T52951F01	KHC10901
SW05	40T52951F01	KHC10901
SW06	40T52951F01	KHC10901
SW07	40T52951F01	KHC10901
SW08	40T52951F01	KHC10901
SW09	40T52951F01	KHC10901
SW10	40T52951F01	KHC10901
SW11	40T52951F01	KHC10901
SW12	40T52951F01	KHC10901
SW13	40T52951F01	KHC10901
SW14	40T52951F01	KHC10901
SW15	40T52951F01	KHC10901
SW16	40T52951F01	KHC10901
SW17	40T55313F01	Tact KHE10901
SW18	40T52951F01	KHC10901

Symbol No.	Stock No.	Description
SW19	40T52951F01	KHC10901
(IC)		
IC101	51T60546F01	TC9132P
(Transistor)		
Q01	48T51089F01	2SA937Q, R
Q02	48T51089F01	2SA937Q, R
Q03	48T43015U01	2SC2120Y
(Resonat, Ceramic)		
X01	91T55305F02	CSB455EB
(LED)		
D01	48T40502U01	TLR226
D02	48T60547F01	TLN105A
D03	48T60547F01	TLN105A
(Capacitor)		
C01	23S41198U33	100uF 10V E1
C02	21S40655F23	100pF Ce
C03	21S40655F23	100pF Ce
C04	08S44505P63	0.022uF Ce
C05	08S44505P63	0.022uF Ce
C06	08S44505P63	0.022uF Ce
C07	08S44505P63	0.022uF Ce
C08	08S44505P63	0.022uF Ce
C09	08S44505P63	0.022uF Ce
C10	08S44505P63	0.022uF Ce
(Resistor)		
R01	06S44593P89	10K 1/4W Rd
R02	06S44593P89	10K 1/4W Rd
R03	06S44593P53	330 1/4W Rd
R04		Jumper Wire
R05	06S44593P01	2.2 1/4W Rd
R06	06S44593P01	2.2 1/4W Rd
R07	06S44593P51	270 1/4W Rd

Remarks

Resistor:

Rd ... Carbon, Rm ... Metal Film, RC ... Cement, Ne ... Network

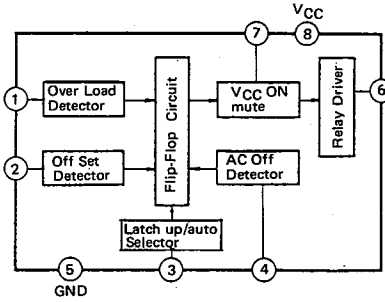
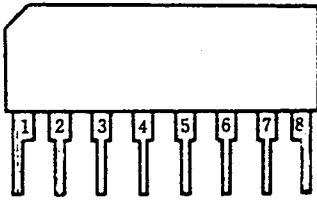
Capacitor:

E1 ... Electrolytic, Ce ... Ceramic, My ... Mylar, Pp ... Polyproplene,
Ne ... Network, LN ... Low Noise, Po ... Polystyrene, Mi ... Mica

IC Handling Guide

uPC1237H

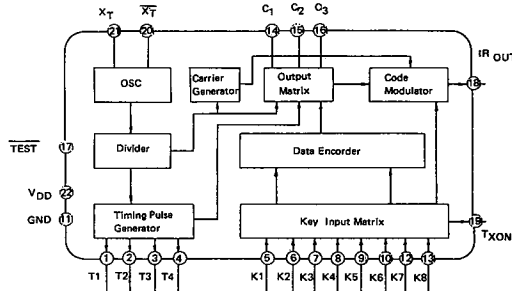
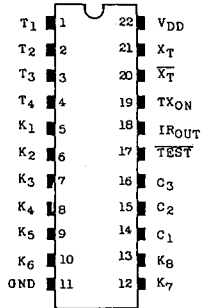
Bipolar Analog Integrated Circuit



LX-104

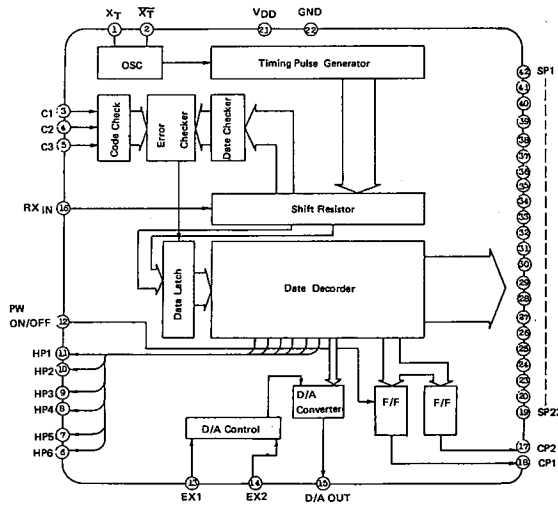
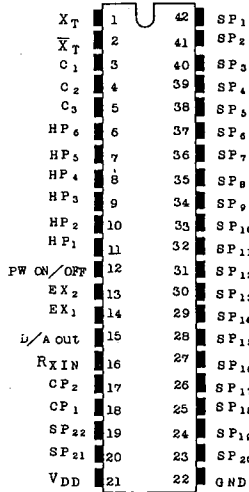
TC9132P

Remote Control



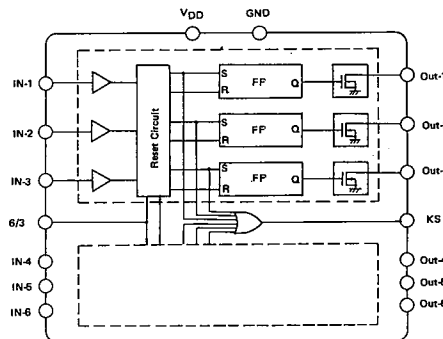
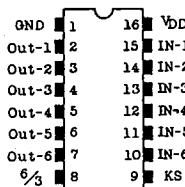
TC9134P

Remote Control

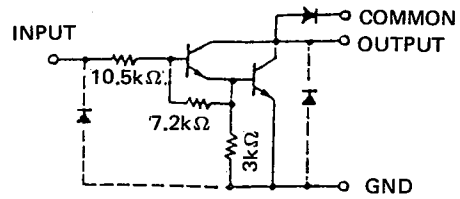
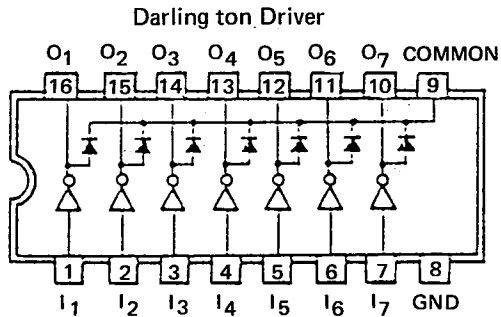


TC9135P

6 ch Function Switch

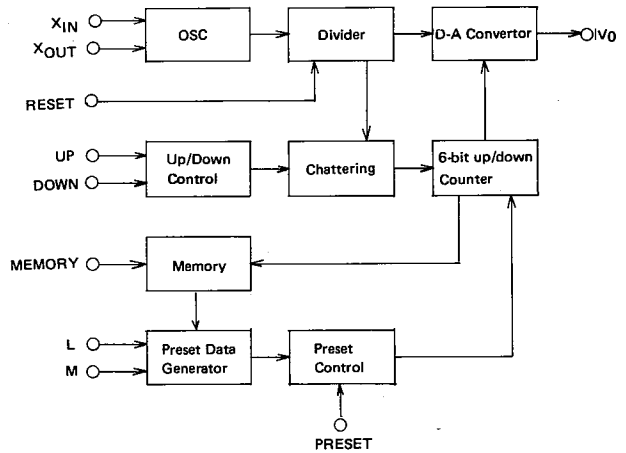
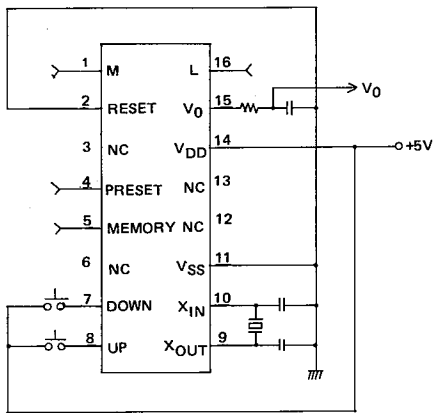


TD62004P



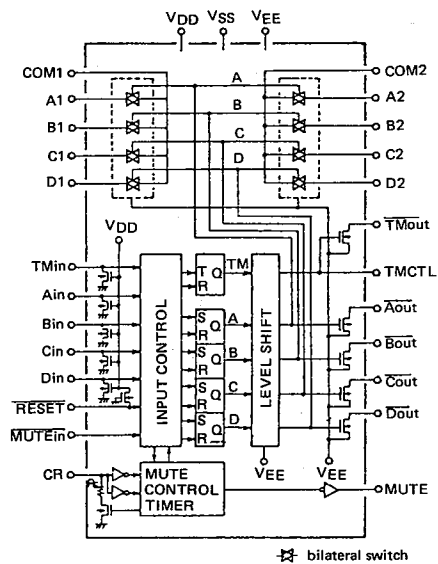
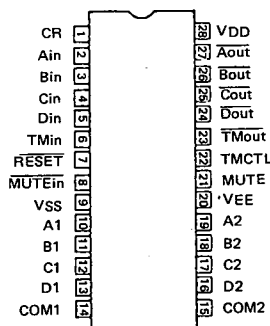
M50601P

6-bit up/down Counter D-A Converter



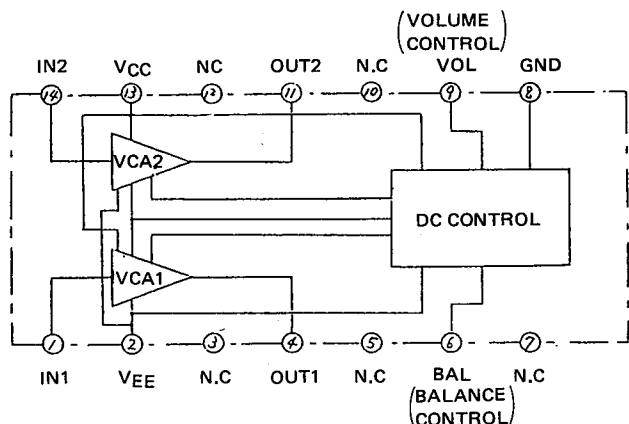
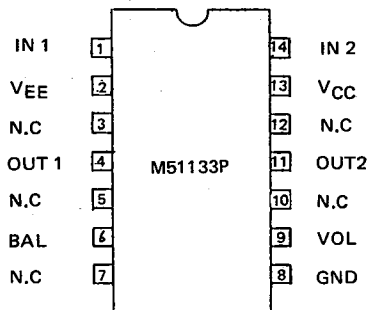
LC7817

Analog Function Switch



M51133P

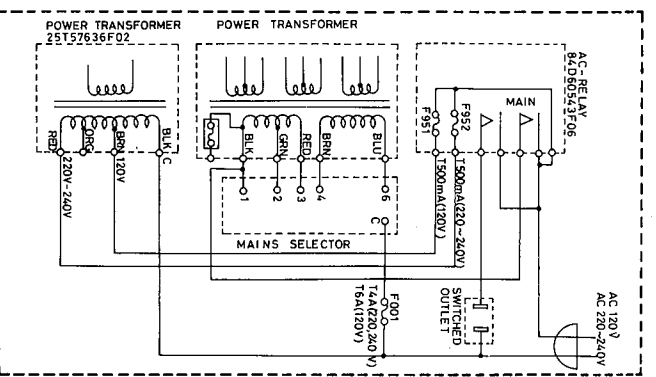
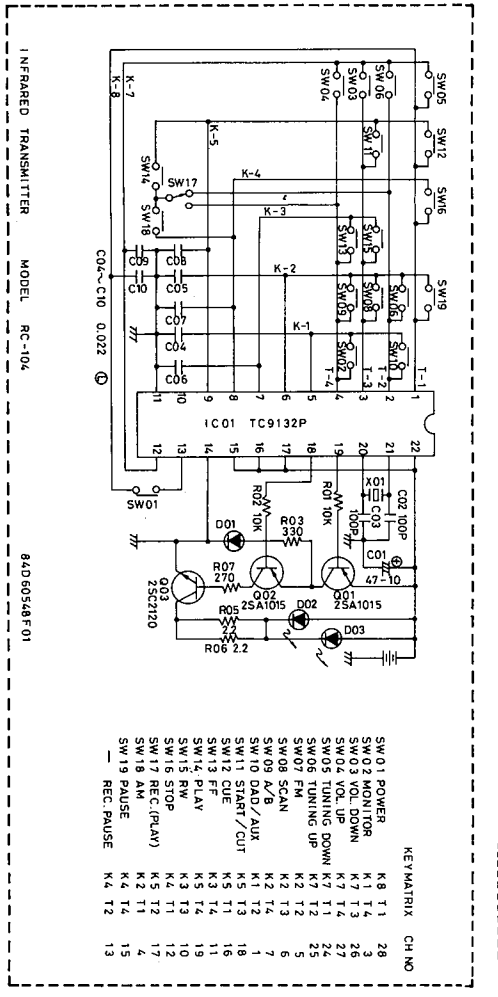
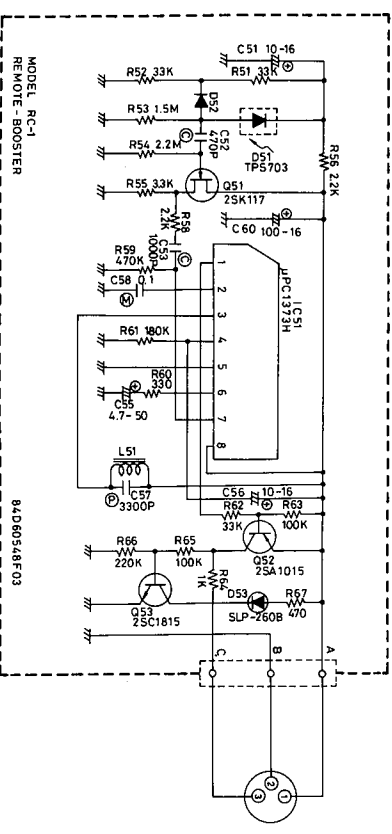
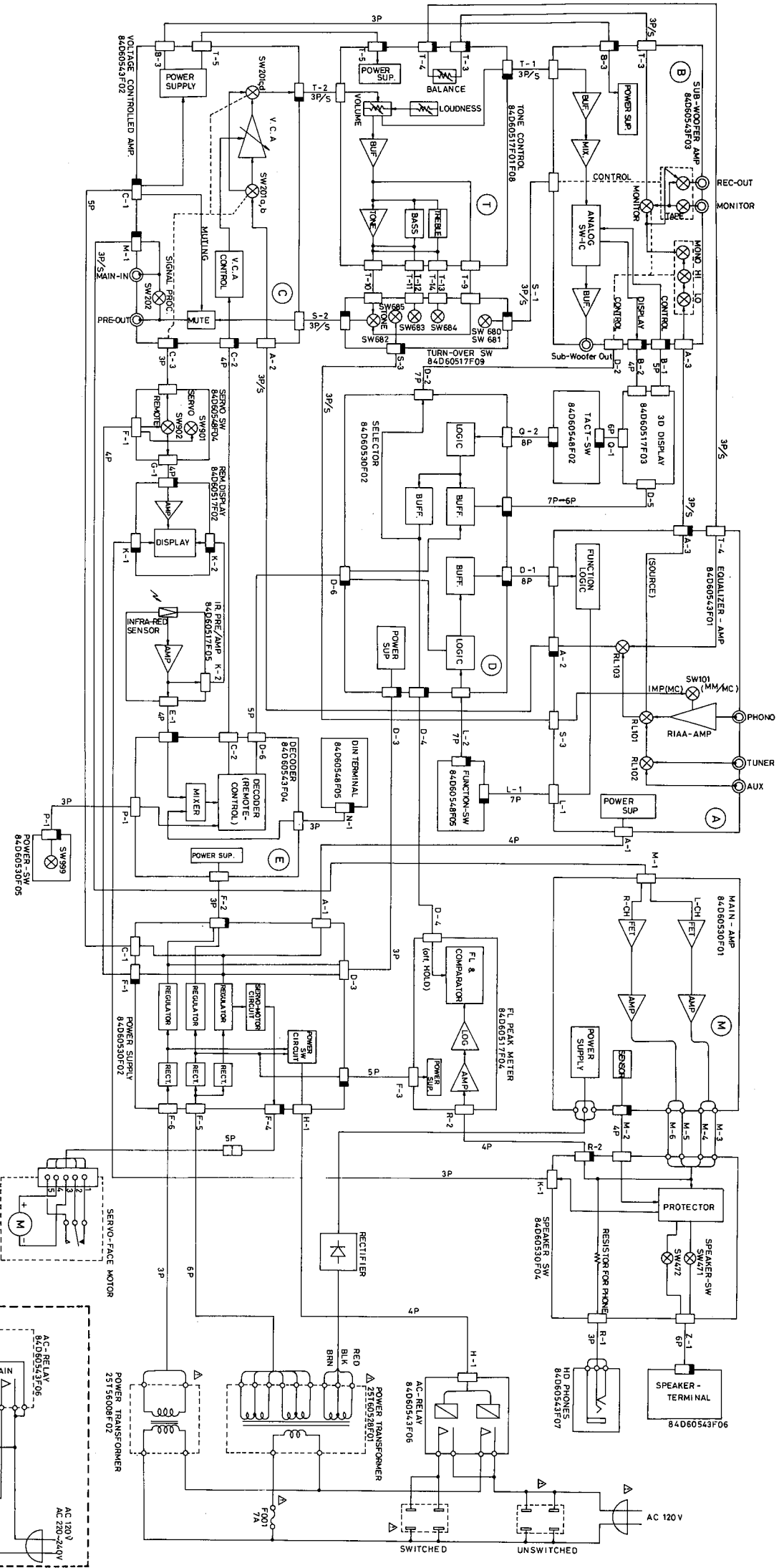
Voltage Gain Control Amplifier



Schematic Diagram(1)

CIRCUITS LIST

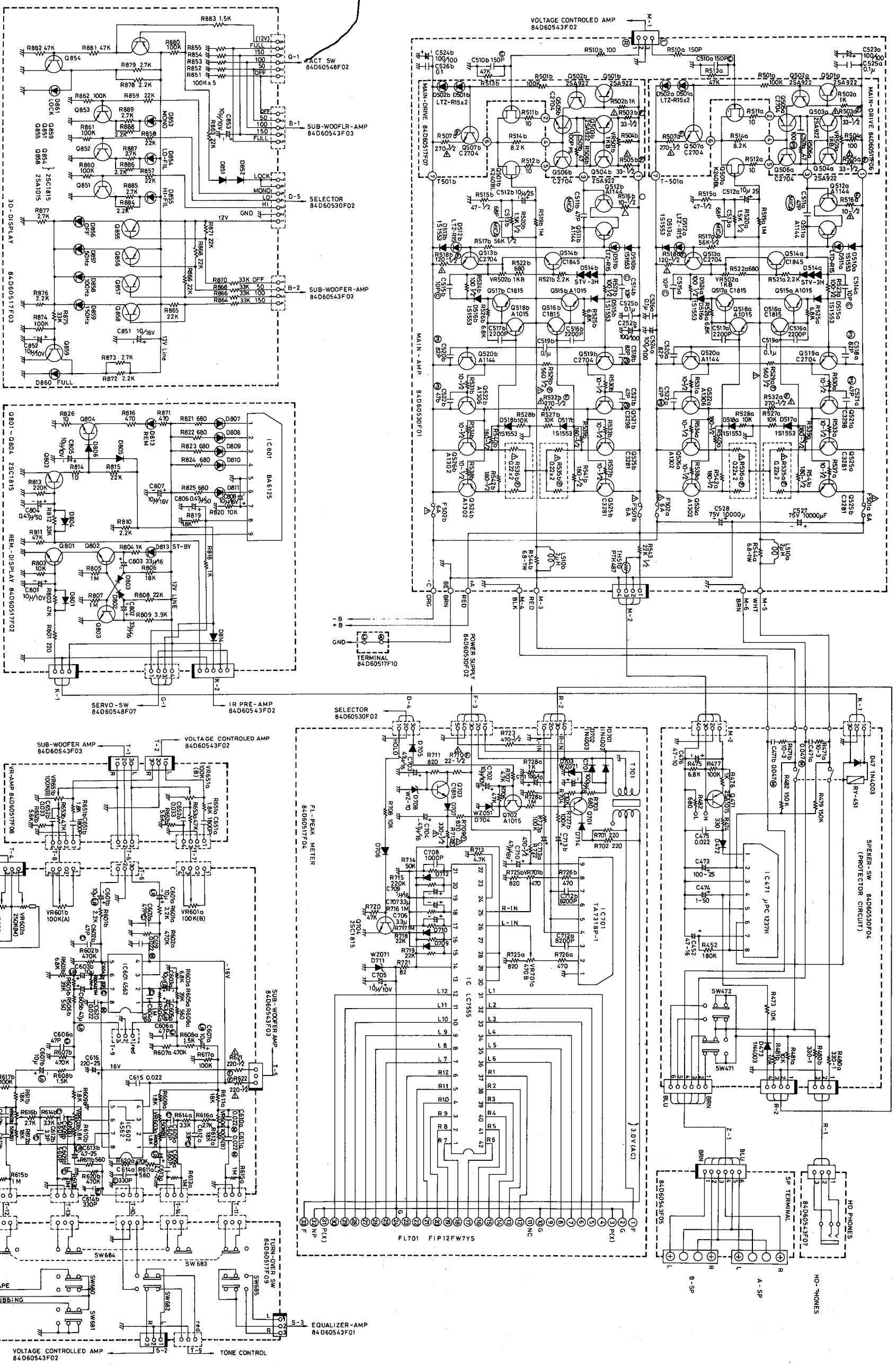
- 2nd PAGE
- POWER SUPPLY 84D80530F02
 - SUB-WOOFER AMP 84D80543F03
 - VOLUME CONTROLLED AMP 84D80543F02
 - TACT SW 84D80548F04
 - SERVO - SW 84D80548F04
 - SERVO - FACE MOTOR
- 3rd PAGE
- MAIN AMP 84D80530F01
 - MAIN-DRIVE AMP (L) 84D80517F06
 - MAIN-DRIVE AMP (R) 84D80517F07
 - VR CONTROL AMP 84D80517F08
 - TURN-OVER SW 84D60517F09
 - FL-PEAK METER 84D60517F04
 - 3D DISPLAY 84D60517F03
 - REMOTE CONT DISPLAY 84D60517F02
 - SPEAKER SW 84D80530F04
 - HEAD PHONES 84D80543F07
 - SPEAKER TERMINAL 84D80543F05
- 4th PAGE
- EQUALIZER AMP 84D80543F01
 - INFRARED PRE-AMP 84D80543F05
 - DECODER 84D80543F04
 - SELECTOR SW 84D80530F03
 - POWER SW 84D80530F05
 - FUNCTION SW 84D80548F05



NOTICE 1. UNLESS OTHERWISE SPECIFIED, ALL RESISTORS ARE IN OHM, 1/4 WATT, ALL CAPACITORS ARE IN MICRO FARAD.
 2. TRANSISTORS AND DIODES MAY BE REPLACED WITH ANY HAVING COMPARABLE RATINGS.
 3. DUE TO CONTINUED IMPROVEMENTS LUMMAN RESERVE THE RIGHT TO ALTER THE CIRCUITS OR SPECIFICATIONS.
 4. INDICATES SAFETY CRITICAL COMPONENTS.
 FOR CONTINUED SAFETY REPLACE SAFETY CRITICAL COMPONENTS ONLY WITH MANUFACTURER'S RECOMMENDED PARTS.
 AFTER SERVICING APPLIANCE AND BEFORE RETURNING TO THE CUSTOMER, CONFIRM THE INSULATION BETWEEN EACH BLADE(OR PIN) OF POWER CORD PLUG AND CHASSIS IS MORE THAN 10 MEGOHMS.

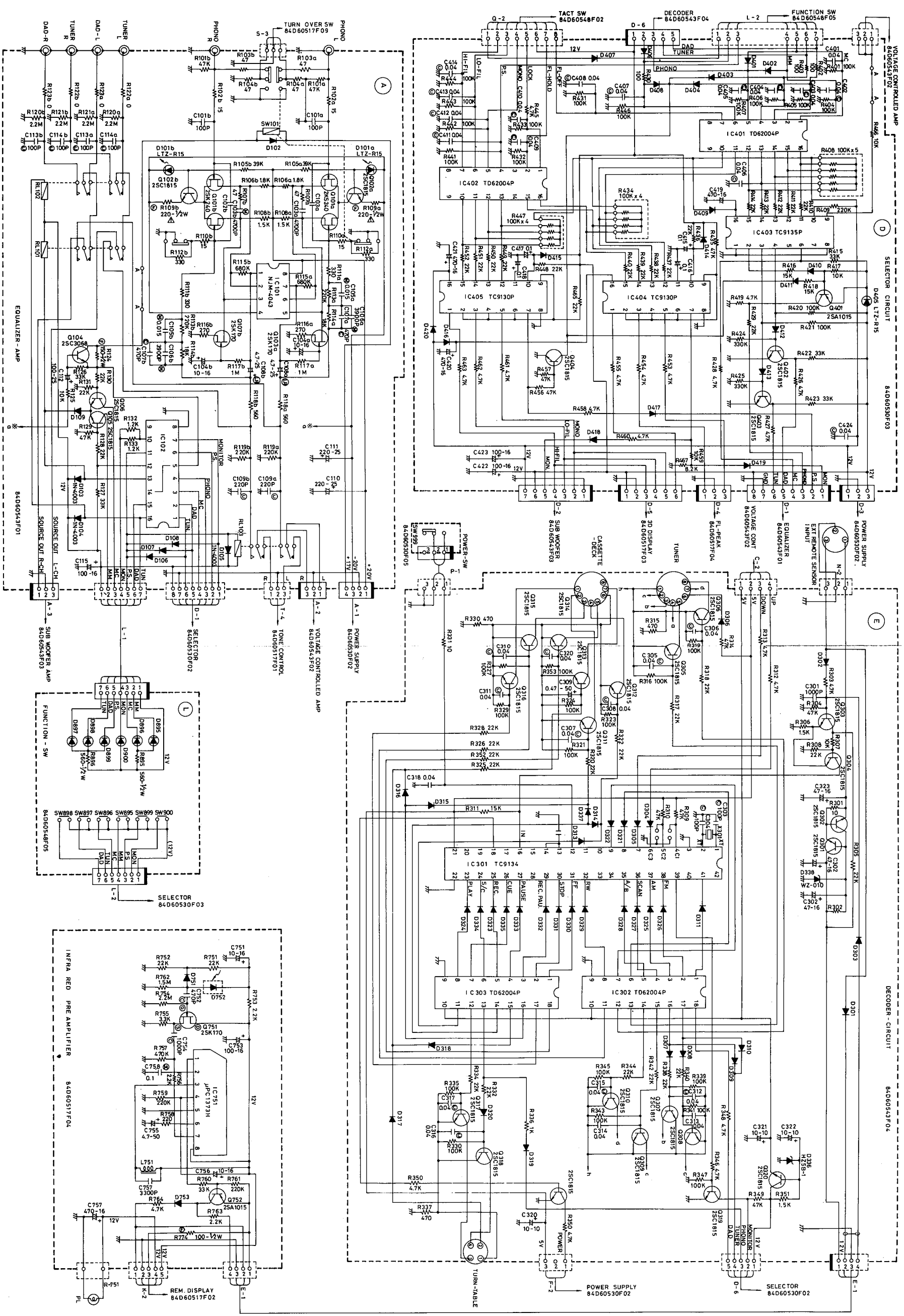
LX-104 1/4

Schematic Diagram(3)



LX-104 3/4

Schematic Diagram (4)



Specifications

Power Output:	120 Watts minimum continuous per channel both channels driven into 8 ohms load at any frequency from 20 to 20kHz with no more than 0.012% THD
Rated I.M.:	No more than 0.012% (120 Watts/Channel, 8 Ohms, 60Hz: 6kHz-4:1) A, B
Class of Output Operation: S/N (Signal to noise ratio) (IHF-A weighted, input short-circuited):	Phono (MM): better than 86dB (5mV) Tuner: better than 102dB
Input Sensitivity:	Phono (MM): 2.5mV Phono (MC): 100 μ V Tuner: 150mV Aux 1-2: 150mV Main in: 800mV
Input Impedance:	Phono (MM): 47k Ohms Phono (MC): Low 50 High 300 Ohms Tuner: 30k Ohms Aux 1-2: 30k Ohms
RIAA Phono Equalization Tolerance:	Phono (MM): \pm 0.3dB 20-20kHz Phono (MC): \pm 0.3dB 20-20kHz
Frequency Response:	Main In (-1dB): 10-100kHz Bass: 200/400Hz Treble: 2k/4kHz
Phono Overload:	MM: 1kHz, RMS: 20mV
Preamplifier Output:	800mV
Subwoofer Output:	800mV
Subwoofer Crossover Frequency:	50, 100, 150Hz 6dB/octave
Subsonic Frequency:	30Hz
High Cut Filter Frequency:	7kHz
Dimensions:	17-13/16"(W)x5-3/4"(H)x17-7/8"(D) 453mm x 147mm x 455mm
Weight (net):	16.0 kg 35 lb 2 oz

Specifications and design are subject to change without notice.

LX-104



LUX CORPORATION, JAPAN

1-1, 1-CHOME, SHINSENRI-NISHIMACHI, TOYONAKA-SHI, OSAKA
PHONE: 06-834-0004 CABLE LUXMAN TOYONAKA TELEX: 5287106 LUXE