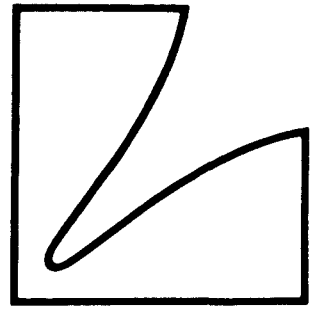
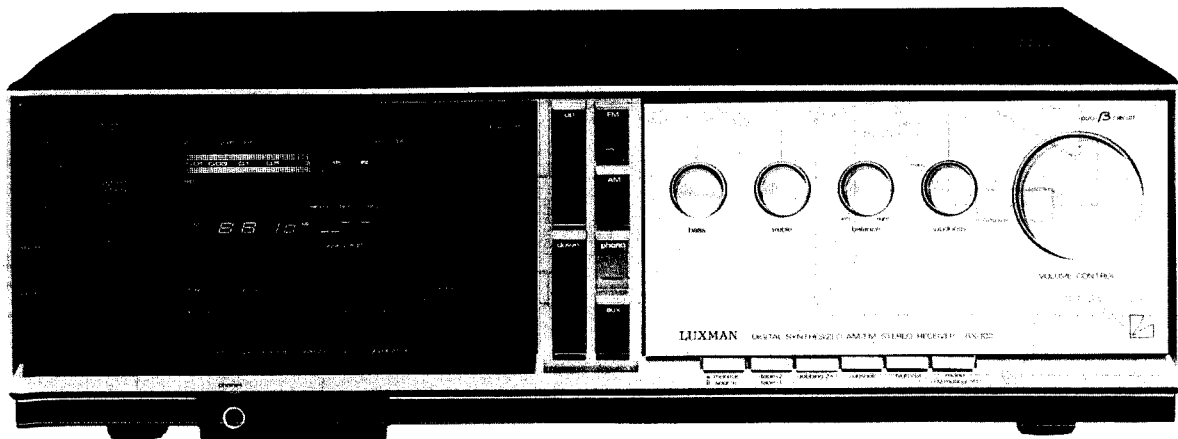


# SERVICE MANUAL



Servo Face Digital  
Synthesized Receiver

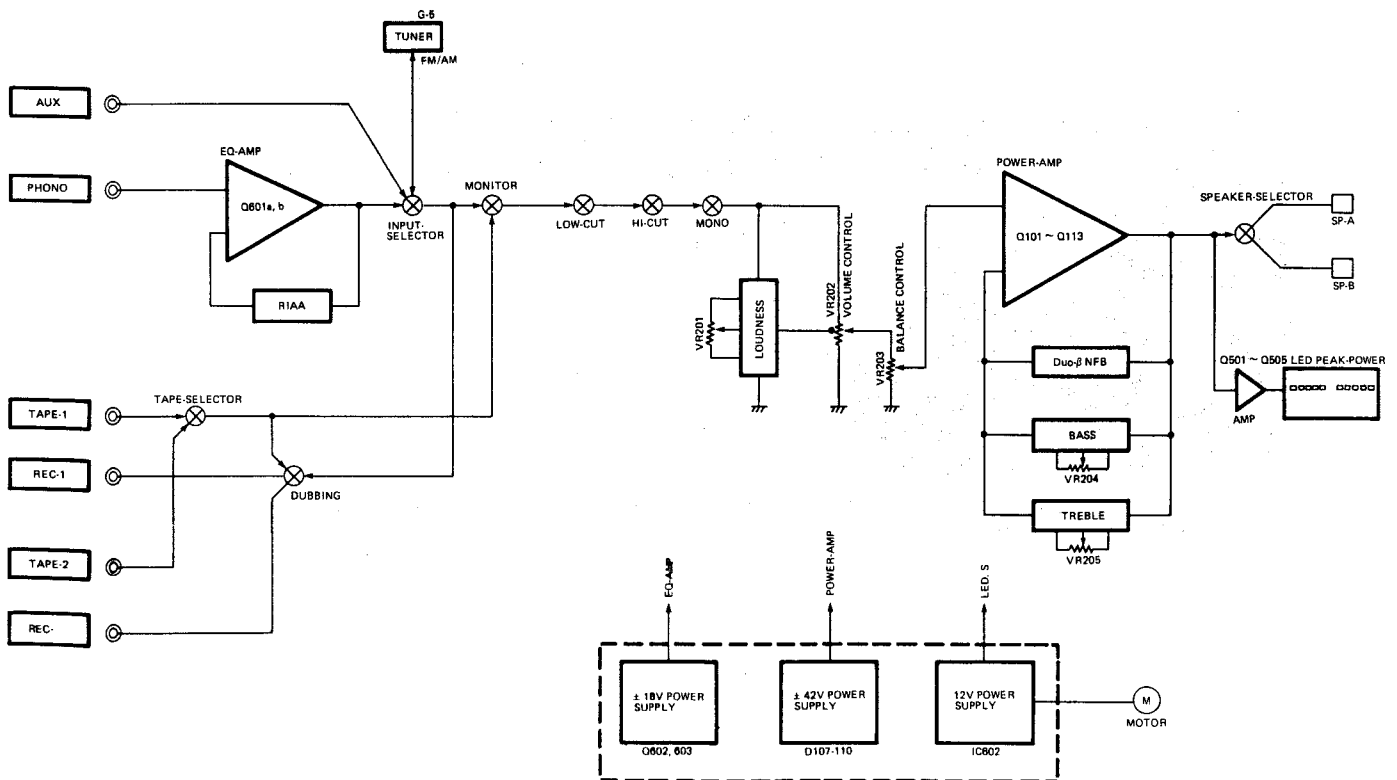
# RX-101/102



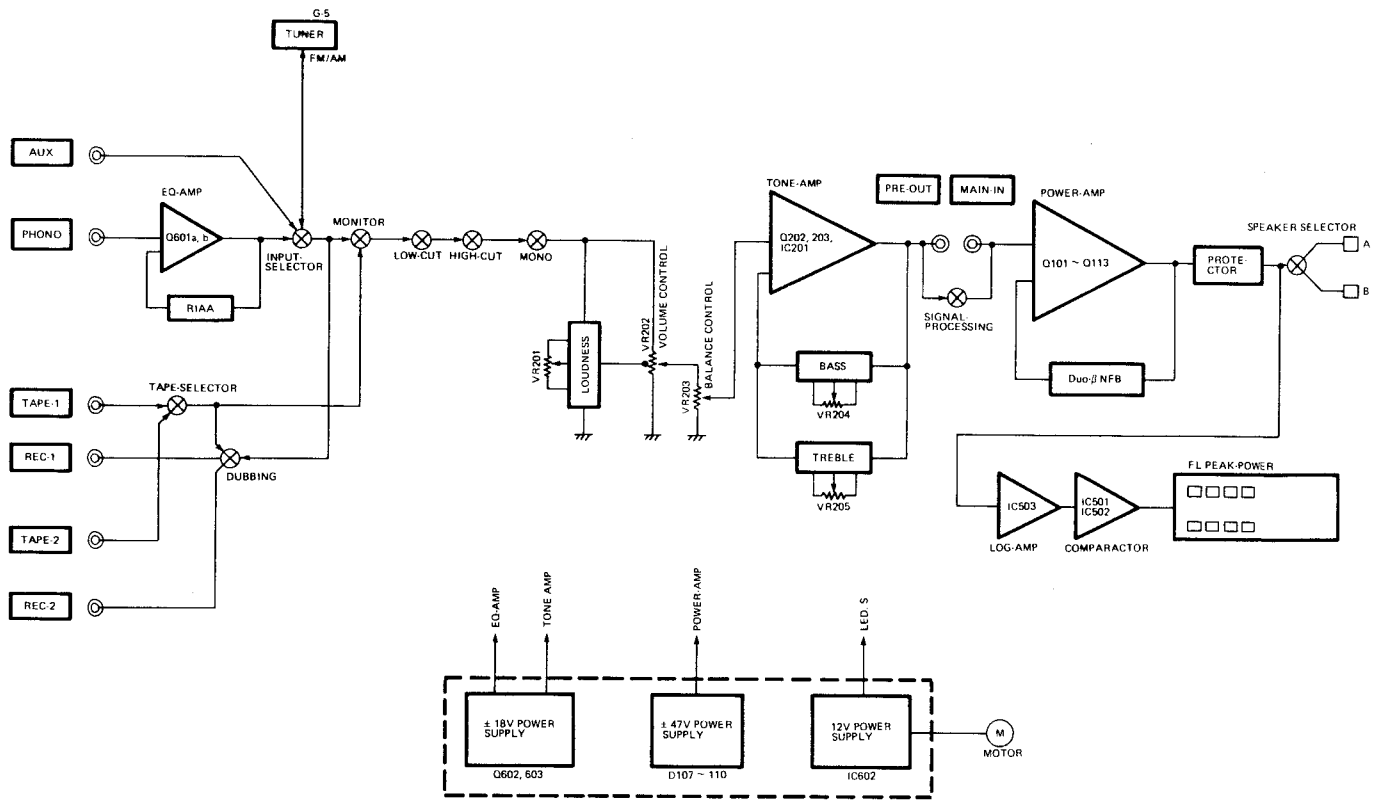
# Contents

- Audio Block Diagram (RX-101) ..... 1
- Audio Block Diagram (RX-102) ..... 2
- RF Block Diagram ..... 2
- Adjustment Procedures ..... 3-5
- Packing Material Parts List ..... 6
- Exploded View Parts List ..... 7-8
- Main PCB Parts List ..... 9-10
- Tone Control PCB Parts List ..... 11
- Function SW PCB Parts List ..... 12
- Function LED PCB Parts List ..... 12
- Speaker SW PCB Parts List ..... 12
- FL Fuse PCB Parts List ..... 13
- Speaker Terminal PCB Parts List ..... 13
- Filter SW PCB Parts List ..... 13
- Up Down SW PCB Parts List ..... 13
- C.A.T. Off SW PCB Parts List ..... 14
- Peak LED Indicator PCB Parts List (RX-101) ..... 14
- FL Peak Indicator PCB Parts List (RX-102) ..... 14
- Synthesized PCB Parts List ..... 15
- Head Phone PCB Parts List ..... 16
- Tact SW PCB Parts List ..... 16
- Preset LED PCB Parts List ..... 16
- Power PCB Parts List ..... 17-18
- Radio PCB Parts List ..... 18-20
- IC Handling Guide ..... 21
- AF Schematic Diagram (RX-101) ..... 22
- RF Schematic Diagram (RX-101) ..... 23
- AF Schematic Diagram (RX-102) ..... 24
- RF Schematic Diagram (RX-102) ..... 25
- Specifications ..... 26

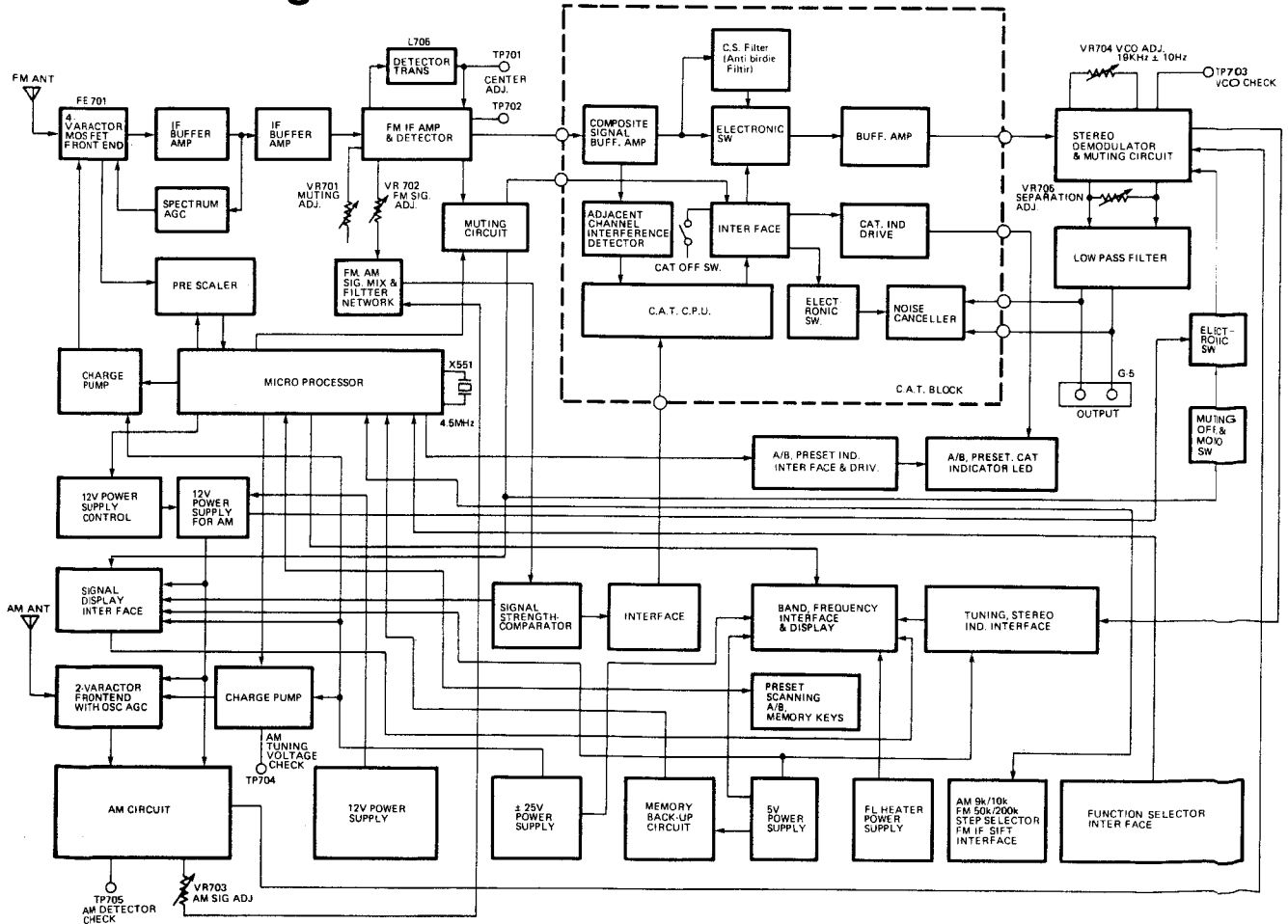
## Audio Block Diagram (RX-101)



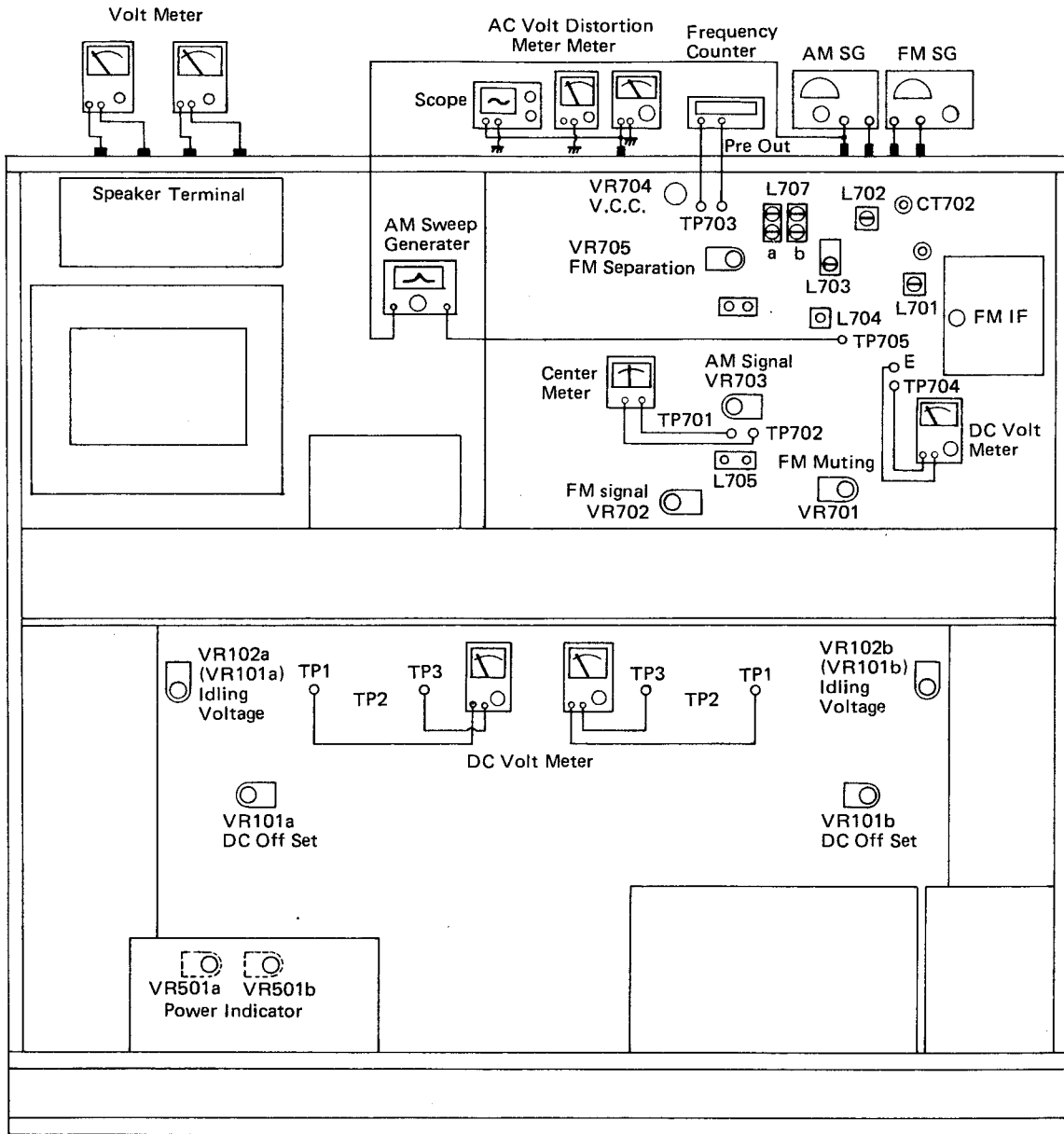
# Audio Block Diagram (RX-102)



# RF Block Diagram



# Adjustment Locations



RX-101	RX-102	Description	RX-101	RX-102	Description
Non	VR101a	DC Off Set Lch	L701	L701	AM Tracking
Non	VR101b	DC Off Set Rch	L702	L702	AM Tracking
(VR101a)	VR102a	Idling Current Lch	L703	L703	AM IF
(VR101b)	VR102b	Idling Current Rch	L704	L704	AM IF
VR501a	VR501a	Power Indicator Lch	L705	L705	FM Center (Primary)
VR501b	VR501b	Power Indicator Rch			FM Distortion (Secondary)
VR701	VR701	FM Muting	L707a	L707a	FM Stereo Carrier Leak
VR702	VR702	FM Signal	L707b	L707b	FM Stereo Carrier Leak
VR703	VR703	FM Signal	CT701	CT701	AM Tracking
VR704	VR704	V.C.C.	CT702	CT702	AM Tracking
VR705	VR705	FM Separation	FM IF	FM IF	FM Stereo Distortion

# Adjustment Procedures

## [1] AUDIO SECTION

### A --- RX-101

1. Connect AC Cord to Slidac and set Volume Control at minimum (voltage OV Power Switch OFF).
2. Connect DV Voltmeter (or Digital Voltmeter) to TP1-TP3 and Speaker Terminals, and put on Power Switch to adjust Slidac at rated voltage (to vary from 120-240V depending on version).
3. After confirmation that no malfunction is found with this Unit, set idling voltage after 3 minutes of Power Switch ON at  $14 \pm 5\text{mV}$ (VR101a,b).

### B --- RX-102

1. Connect AC Cord to Slidac and set Volume Control at minimum (voltage OV Power Switch OFF).
2. Connect DC Voltmeter (or Digital Voltmeter) to TP1-TP3 and Speaker Terminals, and put on Power Switch to adjust Slidac at rated voltage (to vary from 120-240V depending on version).
3. After confirmation that no malfunction is found with this Unit, set speaker center voltage at  $0+50\text{mV}$ (VR101a,b) and idling voltage after 3 minutes of Power Switch ON at  $14+5\text{mV}$ (VR102a,b).
4. Put off Power Switch and put on it again, then confirm that Muting Relay becomes on in  $7+2$  seconds.

## [2] AUDIO SECTION LED PEAK INDICATOR

### A --- RX-101

1. Set Input Selector Switch at AUX.
2. Connect OSC Generator to AUX terminals to input 1KHz sine wave and AC Voltmeter to Speaker Terminals and set OSC Generator to obtain 18V (40W/8-ohm) from Speaker Terminals.
3. Adjust VR501a,b to make the right-endmost dot of LED alight perfectly.
4. Confirm that lighting levels of upper and lower rows of LED's are same when input voltage of Audio Generator is decreased. If the lighting levels are not same, adjust VR501a,b again.

### B --- RX-102

1. Set Input Selector Switch at AUX.
2. Connect OSC Generator to AUX terminals to input 1KHz sine wave and AC Voltmeter to Speaker Terminals and set OSC Generator to obtain 22V(60W/8-ohm) from Speaker Terminals.
3. Adjust VR501a,b to make the right-endmost dot of FL Meter alight perfectly.
4. Confirm that lighting levels of upper and lower rows of FL Indicator are same when input voltage of Audio Generator is decreased. If the lighting levels are not same, adjust VR501a,b again.

## [3] TUNER SECTION (AM)

1. Set Input Selector Switch at AM and make ready to obtain output from REC OUT.
2. Connect DC Voltmeter (or Digital Voltmeter) in between TP704 and Chassis.
3. Adjust L701 and CT701 respectively to obtain 2.0V at 600KHz(European type 603KHz) and 1400KHz (European type 1404KHz) at 7.0V.
4. Repeat Step 3 for a few times and adjust to get above voltages at 600KHz(European type 603KHz) and 1400KHz(European type 1404KHz) completely.
5. Connect output of Sweep Generator to AM Antenna terminal and input of Sweep Generator in between TP705 and Chassis and set receiving frequency of this Unit at 530KHz(European type 522KHz).
6. Adjust L703 and L704 to make IF wave-form of Sweep Generator optimum. (As to output of Sweep Generator choose between 20-60dB without effecting AGC.)
7. Set AM SG at 1400KHz(European type 1404KHz), 400Hz 30% modulation and adjust CT702 to obtain the maximum output of SG at 55dB/m.
8. Set AM SG at 600KHz(European type 603KHz), 400Hz 30% modulation and adjust L702 to obtain the maximum output of SG at 55dB/m.
9. Repeat Steps 7 and 8 one after another until the optimum tracking is available.
10. Set AM SG at 1000KHz(European type 999KHz), 400Kz 30% modulation and output at 80dB/m.
11. Adjust VR703 to make dots of Signal LED light up.

## [4] TUNER SECTION (FM)

1. Set Input Selector Switch at FM and make ready to obtain output from REC OUT.
2. Depress CAT Switch and Mono Switch.
3. Set FM SG at 98.1MHz, 1KHz 100% modulation, output 1mV and receiving frequency of this Unit at 98.1MHz.
4. Adjust Primary Core (LA1235) of L705 to make Indicator of Centermeter, which is connected to TP701 and TP702 in advance, zero.
5. Make output of SG down to about 1u - 2u and vary frequency of SG to make upper and lower wave-forms symmetrical. Depending on the frequency varied, delete diodes on the synthesizer PCB as follows:
 

a) vicinity of -25KHz	D574 & D575
b) vicinity of -50KHz	D574
c) vicinity of +25KHz	D575
d) vicinity of +10KHz	nothing
6. Make output of SG 1mV again and adjust Secondary Core of L705 to make distortion minimum and adjust Primary Core of L705 to make Indicator of Centermeter zero, procedure of which should be repeated for a few times. (At this time, make it sure that Tuning Indicator is alight.)
7. Make Muting Switch extruded and connect Frequency Counter in between TP703 and Chassis.
8. Adjust VR704 to make Frequency Counter indicate  $19\text{KHz}+10\text{Hz}$ .
9. Set SG at stereo modulation and output at 3mV.

10. Adjust VR705 to make stereo separation maximum over 48dB and L & R channels well-balanced. (At this time, make it sure that CAT Switch is off.)
11. Turn IF Coil of Front-end to make stereo distortion minimum at stereo Modulation and confirm specifications on above step 10 and if it is out of specifications, adjust accordingly.
12. Make only the pilot signal modulated to confirm that Carrier-leak is secured over 62dB. (But turn black Core of Lowpass Filter(L707a,b) if it is out of specifications.)
13. Confirm that stereo LED is always alight during reception in stereo modulation and is not alight when Mono Switch (muting off) is depressed.
14. Set SF at mono 1KHz 100% modulation, output 5uV and keep Muting Switch extruded.
15. Adjust VR701 to make wave-form appear completely.
16. Set output of SG at 500uV and adjust VR720 to make 5 dots of Signal LED light up.
17. Make frequency of SG vary to confirm that CAT indicator would not light up in between stations and light up upon reception of input more than muting level when CAT Switch is extruded. Also confirm that CAT Indicator would not light up when CAT Switch is depressed.
18. Set output of SG 3mV stereo modulation and make CAT Switch depressed (100% stereo modulation, 1KHz 1mV).
19. Confirm that stereo separation is over 48dB(European type 40dB). But if only about 40dB would be obtained, detune once and then tune to confirm that stereo separation over 48dB is possible.
20. Prepare 2 sets of SG and connect those to the Unit through RF Mixing Pad. Set only Pilot Signal of main SG at 1mV and sub SG at Mono 1KHz 100% modulation and output 500uV with frequency to be detuned at 180KHz from main SG.
21. Confirm that audible beat noise level coming from speakers varies by CAT Switch on and off alternately upon reception of signals from main SG.

#### [5] SYNTHESIZER SECTION CHECK-UP POINTS

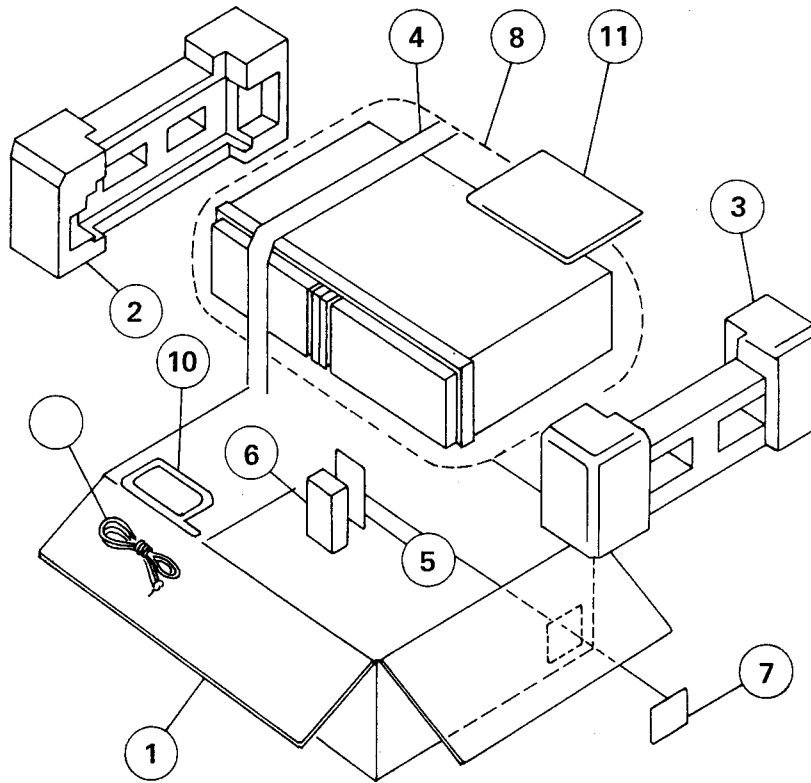
##### 1. FM TUNING INDICATOR

- a) Set Input Selector Switch at FM and confirm that the frequency indication varies at every 200KHz (European type 50KHz) when UP/DOWN Tuning Keys are pushed.
- b) Confirm that the disappears within about 5 seconds after Store Button has been pressed by a touch to release your hand from it and FL Memory Indicator has been lit up.
- c) When following switches are operated while FL Memory Indicator lights up, confirm that the frequency indication disappears:
  1. UP/DOWN Tuning Keys
  2. Input Selector Switch (Phono, Aux)
  3. FM Memory A/B Selector & Memory Scan Button
- d) Confirm that storage of 8 stations are possible when Memory Station Buttons from 1 to 8 are depressed while FL Memory Indicator lights up. In this case, it is more recommendable to vary frequency and store various stations. Also confirm depressing FM Memory A/B Selector that both storages by A & B are possible.
- e) Confirm that stored stations are selected one after another at intervals of about 5 seconds when Memory Scan Button is depressed. Also confirm that scanning of stored stations by A or B is respectively changed by depressing FM Memory A/B Selector.
- f) Confirm that scanning stops when Memory Scan Button or one of Memory Station Buttons 1 - 8 is depressed during scanning.
- g) Confirm that stations stored at the end of storages are correctly stored without being affected by each switching of FM Memory A/B Selector, Input Selector Switch at FM or AM and also Power Switch at ON or OFF position.
- h) Confirm that function by switching of other switches such as Store Button, Memory Scan Button, FM Memory A/B Selector and Memory Station Button 1 - 8 would not precede when one of those switches is already in function.

##### 2. AM TUNING INDICATOR

- a) Set Input Selector Switch at AM and confirm that frequency indication varies at every 10KHz (European type 9KHz) whenever UP/DOWN Tuning Keys May be pushed.
- b) Confirm that no operation is possible with depressing FM Memory A/B Selector.

# Packing Material Parts List



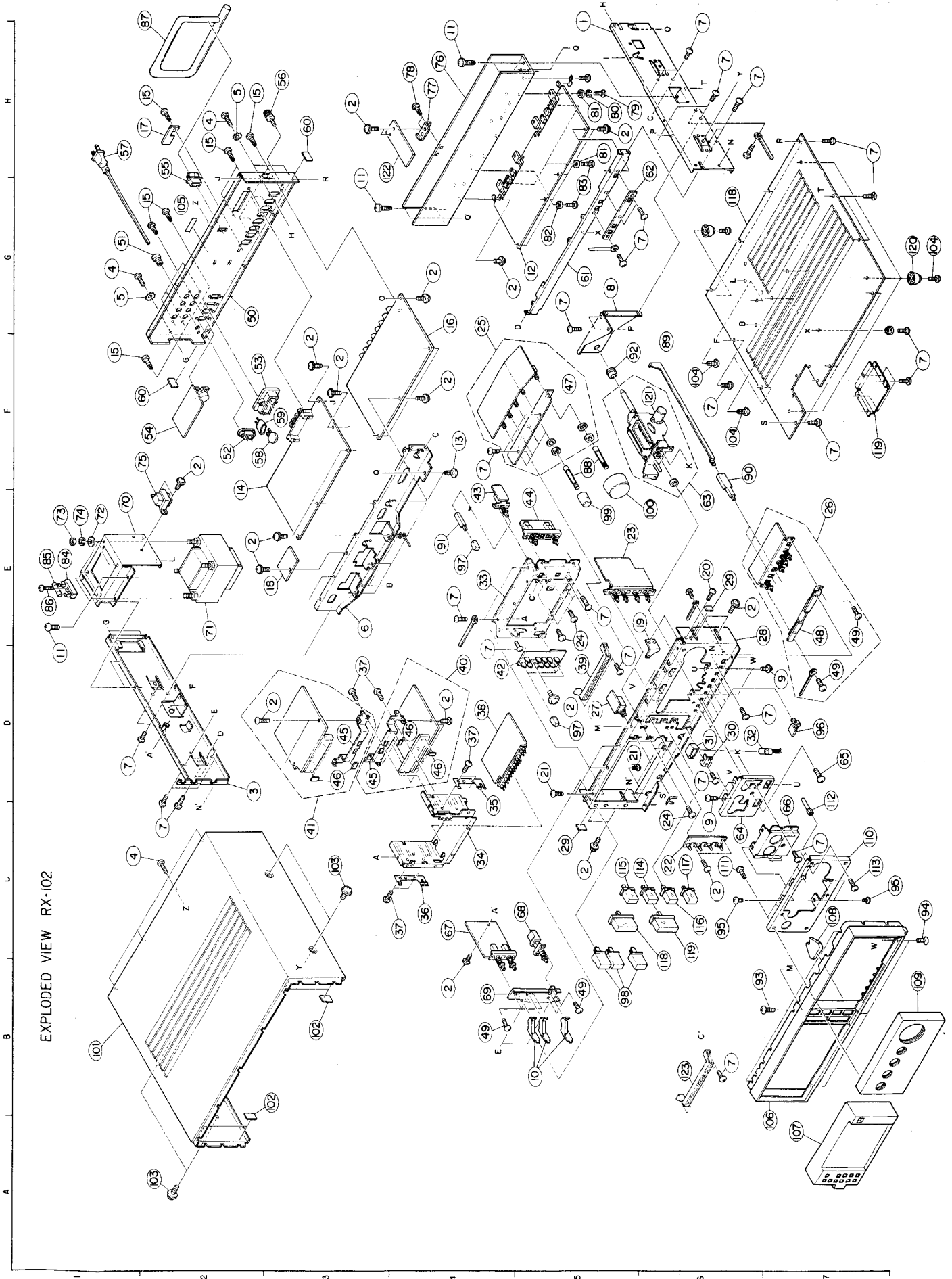
Symbol No.	Stock No. RX-101	Stock No. RX-102	Description
1	56C50570F06	56C50570F35	Carton, Pkg.
2	56D55381F01	56D55381F01	Tray, Pkg. L
3	56D55382F01	56D55382F01	Tray, Pkg. R
4	42A56390F01	42A56390F01	Belt, Pkg.
5	43A56390F01	43A56256F01	Spacer, Pkg.
6	56B40442T03	56B40442T03	Pkg, Front Frame
7	54B42124G01	54B42124G01	Label
8	56B40230G08	56B40230G08	Sack, Poly.
9	85T51096F01	85T51069F01	Antenna, FM
10	85T51078F01	85T51078F01	Antenna, Loop
11	ME0238	ME0238	Owner's Manual

## Remarks

U ... 120V for USA, Canada.  
 AK ... 220V (With Line Voltage Selector)  
 for Europe, South-East Asia.

Capacitor: El...Electrolytic, Ce...Ceramic, My...Mylar, Mi...Mica,  
 Pe...Polyethelen, Po...Polystyrene, Pp...Polyproplene,  
 LR...Low Leak, BP...Bi-Polar.  
 Resistor: Rd...Carbon, Rm...Metal Film, Rc...Cement.

Exploded View



EXPLODED VIEW RX-102

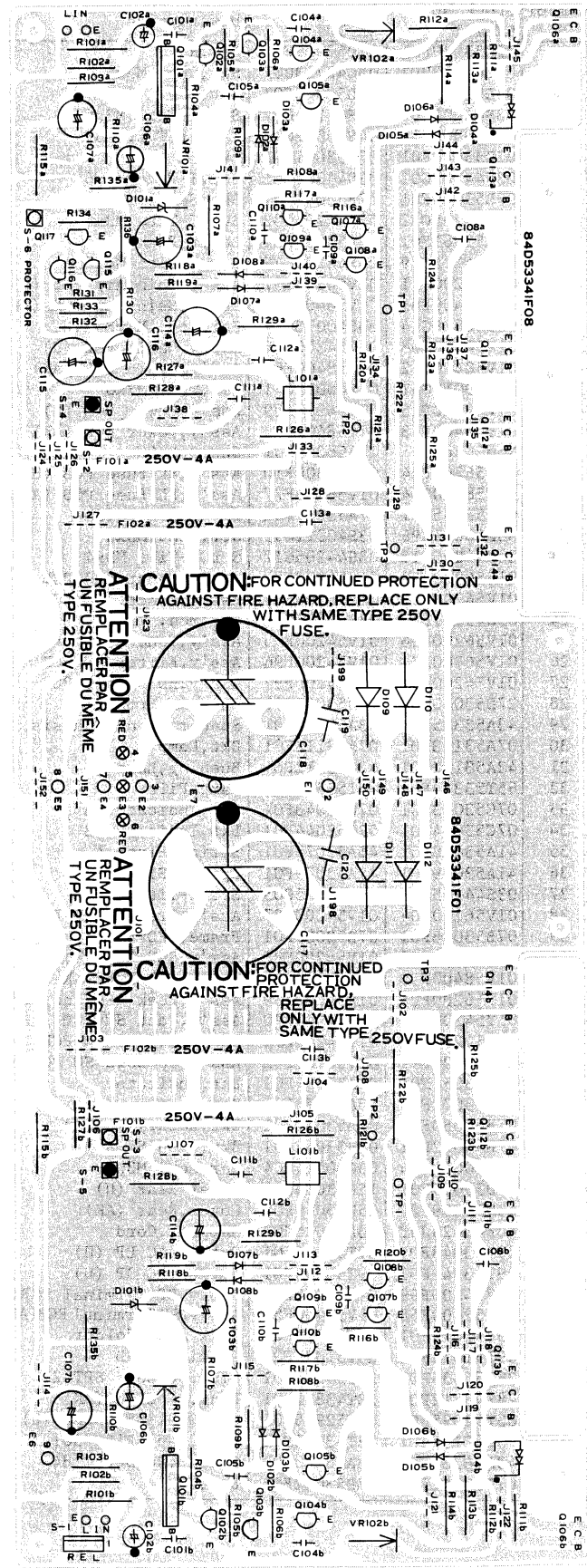
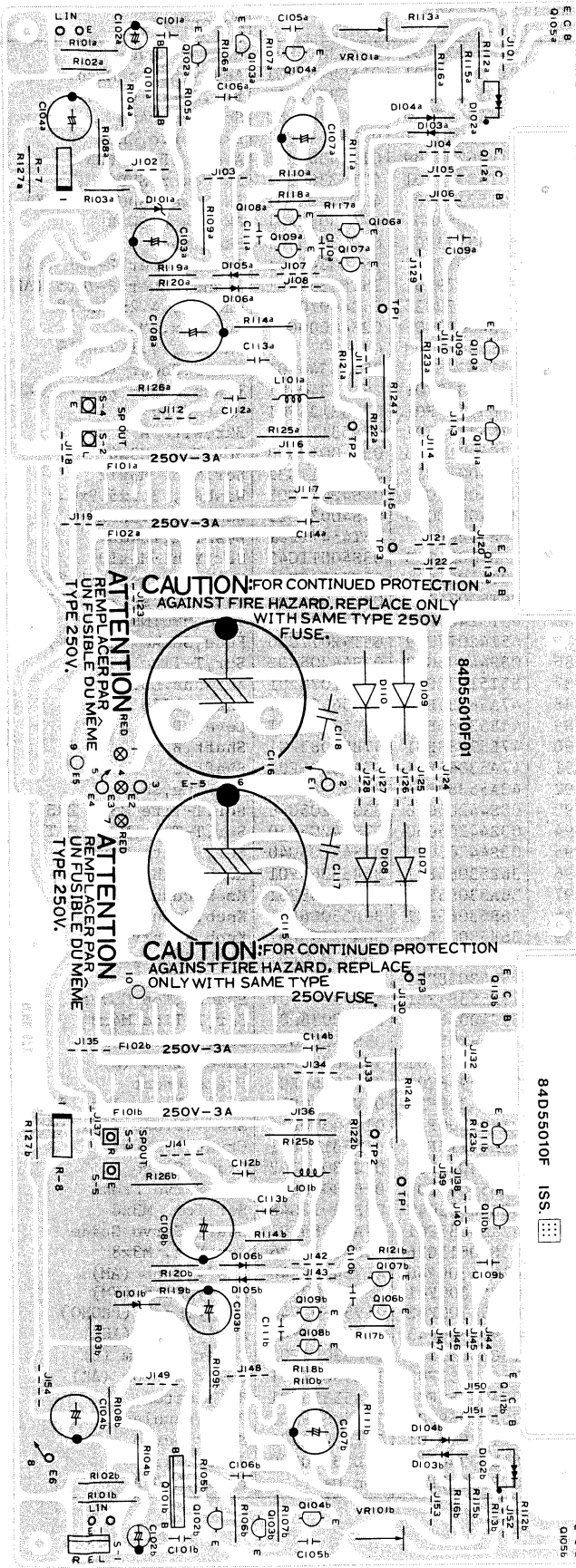


# Exploded View Parts List

Symbol No.	Stock No. RX-101	Stock No. RX-102	Description	Symbol No.	Stock No. RX-101	Stock No. RX-102	Description
1	07D53039F01	07D53039F01	Bkt,R	62	43A53075F01	43A53075F01	Spacer,Lever
2	03C42723U01	03C42723U01	Scr,Cup. M3x6	63	01A55485F01	01A55485F01	Ass'y,Servo Mech.
3	07D53040F01	07D53040F01	Bkt,L	64	07B53047F01	07B53047F01	Bkt,Servo Chas. A
4	03S44205G02	03S44205G02	Scr,T-Tite M3x6	65	03S43997P60	03S43997P60	Scr,Mch M4x8
5	04S40072G16	04S40072G16	Washer,T.L. M3	66	07B53048F01	07B53048F01	Bkt,Servo Chas. B
6	07D53041F01	07D53041F01	Bkt, C	67	01V56200F09	01V54300F05	Ass'y,SP SW PCB
7	03S44205G01	03S44205G01	Scr,T-Tite M3x6	68	40T53366F01	40T53366F01	SW,Power SUD4P (U)
8	07B53049F01	07B53049F01	Bkt,Servo Shaft		40T57126F01	40T57126F01	SW,Power SDU4P E (AK)
9	03S44205G32	03S44205G32	Scr,T-Tite M3x5	69	07A53053F01	07A53053F01	Bkt,Push SW B
10	45A53081F01	45A53081F01	Lever,Push B	70	07C53123F01	07C53045F01	Bkt,Trans C
11	03S44205G49	03S44205G49	Scr,T-Tite M4x8	71	25T55012F01	25T53345F01	Trans,Power P-701 (U)
12	01V56200F11	01V54300F07	Ass'y,Main Amp PCB (U)		25T55879F01	25T55339F01	Trans,Power P-7015 (AK)
	01V58400F61	01V58400F75	Ass'y,Main Amp PCB (AK)	72	04S40070G35	04S40070G35	Washer, 4.2x10x0.8
13	03S40018G14	03S40018G14	Scr,Tpg. M4x8 W.H.	73	02S40000G09	02S40000G09	Nut,Hex. M4
14	01V54300F08	01V54300F08	Ass'y,Radio PCB (U)	74	04S40071G03	04S40071G03	Washer, 4.1x7.6x10
	01V58400F62	01V58400F62	Ass'y,Radio PCB (AK)	75	25T53346F01	25T53346F01	Trans,Power (U)
15	03S40012G41	03S40012G41	Scr,Tpg. M3x8		25T55340F01	25T55340F01	Trans,Power P7017 (AK)
16	01V56200F13	01V54300F09	Ass'y,Power PCB (U)	76	07D53124F01	07D53125F01	Heat Sink
	01V58400F63	01V58400F76	Ass'y,Power PCB (AK)	77	07S53114F01	07A53114F01	Bkt,Wire A
17	Non Use	07A56395F01	Support,SW	78	03S40012G03	03S40012G03	Str,Tpg. M3x6
18	01V56200F24	01V54300F10	Ass'y,FL Fuse PCB (U)	79	03S40011G32	03S40011G32	Scr,Mch. M3x12
	01V58400F64	01V58400F77	Ass'y,FL Fuse PCB (AK)	80	04S40071G05	04S40071G05	Washer, 3.1x5.9x0.7
19	07A53055F01	07A53055F01	Bkt,Servo Guide	81	04S40070G23	04S40070G23	Washer, 3.3x6x0.5
20	03S40011G99	03S40011G99	Scr,Mch. M3x5	82	Non Use	43T45472F01	Bushing,YC40B
21	03S44205G12	03S44205G12	Scr,T-Tite M3x4	83	03S40011G43	03S40011G43	Scr,Mch. M3x10
22	01V56200F22	01V54200F93	Ass'y,Funct.LED PCB	84	09T51828F01	09T51828F01	Holder,Fuse X-N1157 (U)
23	01V54200F94	01V54200F94	Ass'y,Funct. SW PCB		09T51074F01	09T51074F01	Holder,Fuse X-N1153 (AK)
24	03S43997P29	03S43997P29	Scr,Mch. M3x5	85	65T52486F23	65T52486F24	Fuse,MF61NM 4-250 (U)
25	01V56200F06	01V54200F95	Ass'y,Tone Cont. PCB		65T42077U19	65T42077U20	Fuse,Semko T2A (AK)
26	01V56200F23	01V54200F96	Ass'y,Filter SW PCB	86	03S44205G03	03S44205G03	Scr,T-Tite M3x8
27	01V54200F97	01V54200F97	Ass'y,HD. Phone PCB	87	85T51078F01	85T51078F01	Antenna,Loop
28	27D53060F01	27D53060F01	Chassis,Front	88	47A56389F01	47A56389F01	Shaft,1376
29	43A53385F01	43A53385F01	Spacer,Front Chassis.	89	45B53080F01	45B53080F01	Lever,Push A
30	07A53113F01	07A53113F01	Bkt,Lamp	90	47B53083F01	47B53083F01	Shaft,B
31	43A53112F01	43A53112F01	Bushing,Lamp	91	47A53084F01	47A53084F01	Shaft,C
32	65T53343F01	65T53343F01	Lamp,Pilot	92	43A55383F01	43A55383F01	Bushing,Shaft
33	07C53043F01	07C53043F01	Bkt,Indicator A	93	03S44205G46	03S44205G46	Scr,T-Tite M3x6 TRS
34	07C53044F01	07C53044F01	Bkt,Indicator B	94	03S44205G50	03S44205G50	Scr,T-Tite M3x6 FLT
35	41A53078F01	41A53078F01	Spring,Plate A	95	03S44205G40	03S44205G40	Scr,T-Tite M3x4
36	41A53079F01	41A53079F01	Spring,Plate B	96	36B53064F01	36B53064F01	Knob,Push A
37	03S44205G05	03S44205G05	Scr,T-Tite M3x5	97	36A53065F01	36A53065F01	Knob,Push B
38	01V56200F04	01V54200F87	Ass'y,Preset LED PCB	98	36B53066F01	36B53066F01	Knob,Push C
39	07B53038F01	07B53038F01	Frame,LED B	99	36B53070F01	36A52963F01	Knob,Rotary VR
40	01V54200F88	01V54200F88	Ass'y,SNY PCB (U)	100	36B53070F01	36B53070F01	Knob,Rotary VR
	01V58400F56	01V58400F56	Ass'y,SNY PCB (AK)	101	15D53058F01	15D53058F01	Cover,Top
41	01V56200F05	01V54200F89	Ass'y,Peak LED Ind.PCB	102	43A55384F01	43A55384F01	Spacer,Top Cover
42	01V54200F90	01V64200F90	Ass'y,Tact SW PCB	103	03S40036U01	03S40036U01	Scr,T-Tite M4x8
43	01V54200F91	01V54200F91	Ass'y,C.S.F. SW PCB	104	03S44205G17	03S44205G17	Scr,T-Tite M4x6
44	01V54200F92	01V54200F92	Ass'y,Up Down SW PCB	105	54A56383F01	54A56383F01	Label,1398 (U)
45	07A53054F01	07A53054F01	Bkt,Indicator	106	07D52966F01	07D52966F01	Frame,Front
46	43A53073F01	43A53073F01	Spacer,A	107	01V54300F14	01V54300F14	Ass'y,Frame Inc. (U)
47	07B53050F01	07B53050F01	Bkt,Rotary Knob A		01V56200F17	01V54300F17	Ass'y,Frame Inc. (AK)
48	07B53052F01	07B53052F01	Bkt,Push SW A	108	61A53115F01	61A53115F01	Crystal,Acryl
49	03C40014G04	03C40014G04	Scr,Mch. M3x6	109	07C53036F01	07C53036F02	Frame,Servo
50	15D53059F01	15D53059F05	Cover Rear (U)	110	07B53046F01	07B53046F01	Bkt,Servo Frame
	15D53059F02	15D53059F06	Cover,Rear (AK)	111	03S40012G48	03S40012G48	Scr,Tpg. M3x6
51	43B41625J02	43B41625J02	Support,Cord	112	47A53085F01	47A53085F01	Shaft,Servo Guide
52	09T53348F01	09T53348F01	Outlet,AC LP (U)	113	03S40011G26	03S40011G26	Scr,Mch. M3x8
53	09T53349F01	09T53349F01	Outlet,AC 3P (U)	114	01V54300F40	01V54300F40	Ass'y,Knob (AM)
54	01V54200F99	01V54200F99	Ass'y,SP Terminal PCB(U)	115	01V54300F41	01V54300F41	Ass'y,Knob (FM)
	01V58400F58	01V58400F58	Ass'y,SP Terminal PCB(AK)	116	01V54300F42	01V54300F42	Ass'y,Knob (PHCNO)
55	55T51079F01	55T51079F01	Lock ANT. Holder	117	01V54300F43	01V54300F43	Ass'y,Knob (AUX)
56	09T51075F01	09T51075F01	Terminal,GND	118	15C53057F01	15C53057F01	Cover,Bottom (U)
57	28T55335F01	28T55335F01	Plug,AC Cord SPT-2		15C53057F02	15C53057F01	Cover,Bottom (AK)
	28T43812P02	28T43812P01	Plug,AC Cord (AK)	119	07A53356F01	07A53356F01	Bkt,Bottom
58	08T52995F01	08T52995F01	Cap,0.01 DE7150FZ (U)	120	75A52969F01	75A52969F01	Pad,Trannleg
59	43T53136F01	43T53136F01	Bush,Cap TP150-301	121	59T52973F01	59T52973F01	Motor,Servo
60	43A56380F01	43A56380F01	Spacer,Rubber 1184	122	84D53340F09	84D53340F09	Panel,Wire
61	07D53042F01	07D53042F01	Bkt,F	123	07B53037F01	Non Use	Frame,LED A

Main PCB – RX-101

Main PCB – RX-102



84D53341F ISS

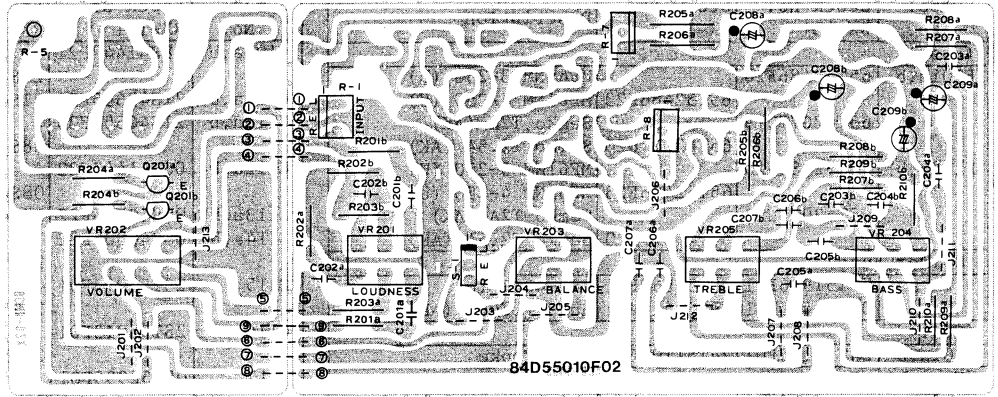
# Main PCB Parts List

Symbol No.	Stock No. RX-101	Stock No. RX-102	Description
<b>(Fuse)</b>			
F101a,b	65T52486F20	65T52486F23	MF61NM 3-250 (U)
	65T42077U19	65T42077U20	MF61NM 4-250 (U)
F102a,b	65T52486F20	65T52486F23	Semko T2A (AK)
	65T42077U19	65T42077U20	Semko T2.5A (AK)
<b>(Holder, Fuse)</b>			
	09T51960F01	09T51960F01	YSH-401T (U)
	09T51410F01	09T51410F01	Holder, Fude (AK)
<b>(Coil)</b>			
L101a,b	24T51105F01	24T51105F01	Coil, Choke
<b>(Variable Resistor)</b>			
VR101a,b	18C42061J23	18C42061J15	Solid VR 500 (B)
VR102a,b	Non Use	18C42061J23	50K (B)
<b>(Transistor)</b>			
Q101a,b	48T53430F01	48T53430F01	2SA979G
Q102a,b	48S43525F02	48S43525F02	2SC1815Y
Q103a,b	48S43525F02	48S43525F02	2SC1815Y
Q104a,b	48T53297F01	48T53297F01	2SC2229
Q105a,b	48S43525F02	48T53298F01	2SC1815Y
		2SA949	2SA949
Q106a,b	48T51118F01	48S43525F02	2SA1015Y
		2SC1815Y	2SC1815Y
Q107a,b	48S43525F02	48T51118F01	2SA1015Y
		48S43525F02	2SC1815Y
Q108a,b	48S43525F02	48T51118F01	2SA1015Y
Q109a,b	48T51118F01	48T51118F01	2SA1015Y
Q110a,b	48T51120F01	48S43525F02	2SC2235
		48S43525F02	2SC1815Y
Q111a,b	48T51119F01	48T53305F01	2SA965
		48T53305F01	2SC2238
Q112a,b	48T51071F01	48T53306F01	2SA968
		48T53306F01	2SA1102
Q113a,b	48T51070F01	48T53303F03	2SC2581Y
		48T53304F03	2SA1106Y
Q114a,b	Non Use	48S43525F02	2SC1815Y
Q115	Non Use	48S43525F02	2SC1815Y
Q116	Non Use	48S43525F02	2SC1815Y
Q117	Non Use	48T51118F01	2SA1015Y
<b>(Diode)</b>			
D101a,b	48T52739F75	48T52739F92	HZ12B-3 Zener
D102a,b	48T53389F01	48T51117F01	HZ24-2 Zener
		1S1553	STV-2H Varistor
D103a,b	48T51117F01	48T51117F01	1S1553
D104a,b	48T51117F01	48T51117F01	1S1553
		48T53389F01	STV-2H Varistor
D105a,b	48T51117F01	48T51117F01	1S1553
D106a,b	48T51117F01	48T51117F01	1S1553
D107	48T51115F01	48T51117F01	S3V20
D107a,b		48T51117F01	1S1553
D108	48T51115F01	48T51117F01	S3V20
D108a,b		48T51117F01	1S1553
D109	48T51115F01	48T53328F01	S3V20
		48T53328F01	S3V40-F
D110	48T51115F01	48T53328F01	S3V20
		48T53328F01	S3V40-F
D111	Non Use	48T53328F01	S3V40-F
D112	Non Use	48T53328F01	S3V40-F
<b>(Capacitor)</b>			
C101a,b	21S40655F25	21S40655F25	150pF Ce
C102a,b	23T51236F07	23T51236F07	3.3uF LR 50V E1
C103a,b	23T51235F45	23T51235F45	100uF 25V E1
C104a,b	23T51235F44	08T55119F19	100uF 16V E1
		08T55119F06	33pF 50V Mi
C105a,b	08T55119F25	08T55119F06	47pF 50V Mi
		23T51235F04	10pF 50V Mi
C106a,b	Non Use	23T51235F04	1uF 100V E1
C107a,b	23T51235F40	23T51235F44	47uF 35V E1
		08S41442F21	100uF 16V E1
C108a,b	23T51234F56	08S41442F21	220uF 50V E1
			0.047uF Mv

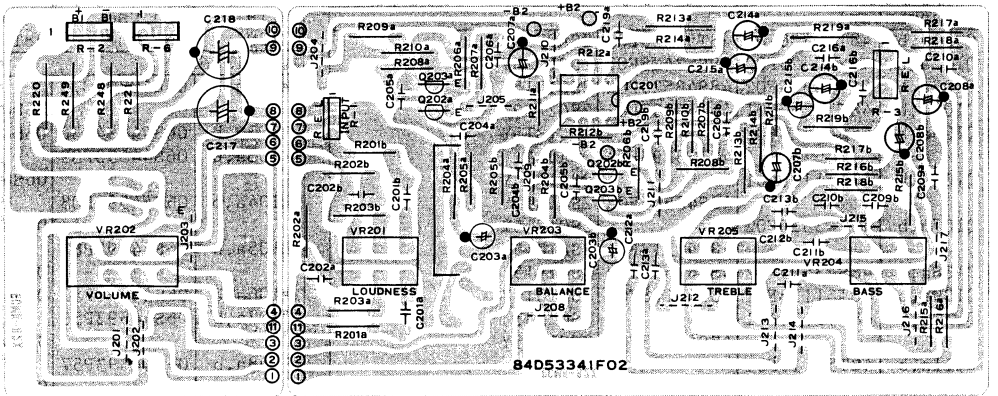
Symbol No.	Stock No. RX-101	Stock No. RX-102	Description
C109a,b	08S41442F21	21S40655F30	0.047uF My
		21S40655F30	470pF Ce
C110a,b	21S40655F30	21S40655F30	470pF Ce
C111a,b	21S40655F30	08S41442F22	470pF Ce
		08S40805F22	0.056uF My
C112a,b	08S41442F22	08S40805F22	0.056uF My
		08S40805F22	40000pF Ce
C113a,b	08S40805F22	08S40805F22	40000pF Ce
C114a,b	08S40805F22	23T51234F49	40000pF Ce
		23T51234F53	100uF 63V E1
C115	23T55013F01	23T51234F53	6800uF 50V E1
		23T51234F53	220uF 16V E1
C116	23T55013F01	23T51234F53	6800uF 50V E1
		23T51234F53	220uF 16V E1
C117	08T52995F01	23T53336F01	0.01uF
		23T53336F01	10000pF 56V E1
C118	08T52995F01	23T53336F01	0.01uF
		08T52995F01	10000uF 56V E1
C119	Non Use	08T52995F01	0.01uF Ce
C120	Non Use	08T52995F01	0.01uF Ce
<b>(Resistor)</b>			
R101a,b	06D40801G77	06D40801G71	3.9K 1/2W Rd
		06S44594F30	2.2K 1/2W Rd
R102a,b	06S44594P30	06S44594P30	470K 1/4W Rd
R103a,b	06S44593P39	06S44594P06	82 1/4W Rd
		06S44593P91	47K 1/4W Rd
R104a,b	06S44594P08	06S44594P08	56K 1/4W Rd
		06S44593P81	12K 1/4W Rd
R105a,b	06S44593P81	06S44593P53	4.7K 1/4W Rd
		06S44593P53	330 1/4W Rd
R106a,b	06S44593P53	06S44593P53	330 1/4W Rd
R107a,b	06S44593P53	06T55175F73	330 1/4W Rd
		06T55175F41	2.2K 1/2W Rm
R108a,b	06S44593P57	06T55175F41	470 1/4W Rd
		06S44594P06	100 1/4W Rm
R109a,b	06T55175F73	06S44594P06	2.2K 1/2W Rm
		06S44593P56	47K 1/4W Rd
R110a,b	06T55175F73	06S44593P67	2.2K 1/2W Rd
		06S44593P67	430 1/4W Rd
R111a,b	06S44593P81	06S44593P67	4.7K 1/4W Rd
		06S44593P65	1.2K 1/4W Rd
R112a,b	06S44593P67	06S44593P65	1.2K 1/4W Rd
		06T55175F33	1K 1/4W Rd
R113a,b	06S44593P65	06T55175F33	1K 1/4W Rd
		06T55175F41	47 1/2W Rm
R114a,b	06T55175F41	06T55175F33	100 1/2W Rm
		06D40801G87	47 1/2W Rm
R115a,b	Non Use	06D40801G87	10K 1/2W Rd
R116a,b	Non Use	06S44593P85	6.8K 1/4W Rd
R117a,b	06S44593P85	06S44593P85	6.8K 1/4W Rd
R118a,b	06S44593P85	06S44593P93	6.8K 1/4W Rd
		06S44593P93	15K 1/4W Rd
R119a,b	06S44593P93	06S44593P93	15K 1/4W Rd
R120a,b	06S44593P93	06S44593P55	15K 1/4W Rd
		06S44593P55	390 1/4W Rd
R121a,b	06S44593P53	06S44593P55	330 1/4W Rd
		06T51107F01	390 1/4W Rd
R122a,b	06S44593P53	06T51107F01	330 1/4W Rd
		06T55175F45	0.22 5V Rc
R123a,b	06T55175F45	06T55175F45	150 1/2W Rm
R124a,b	06T51107F01	06T55175F09	0.22x2 5V Rc
		06T55175F09	4.7 1/2W Rm
R125a,b	06T55177F01	06T55177F01	2.2 1V Rm
		06T55175F09	4.7 1/2W Rm
R126a,b	06T55177F13	06T55177F01	6.8 1V Rm
		06T55177F01	2.2 1V Rm
R127a,b	06S44594P38	06S44593P91	1M 1/4W Rd
		06T55177F13	12K 1/4W Rd
R128a,b	Non Use	06T55177F13	6.8 1V Rm
R129a,b	Non Use	06T55177F41	6.8 1V Rm
R130	Non Use	06S44593P65	100 1/2W Rm
R131	Non Use	06S44593P87	1K 1/4W Rd
R132	Non Use	06S44593P65	8.2K 1/4W Rd
R133	Non Use	06S44593P87	1K 1/4W Rd
R134	Non Use	06S44593P79	8.2K 1/4W Rd
R135a,b	Non Use	06S44593P39	3.9K 1/4W Rd
R136	Non Use	06S44593P89	82 1/4W Rd
			10K 1/4W Rd

# Tone Control PCB Parts List

**Tone Control PCB  
RX-101**



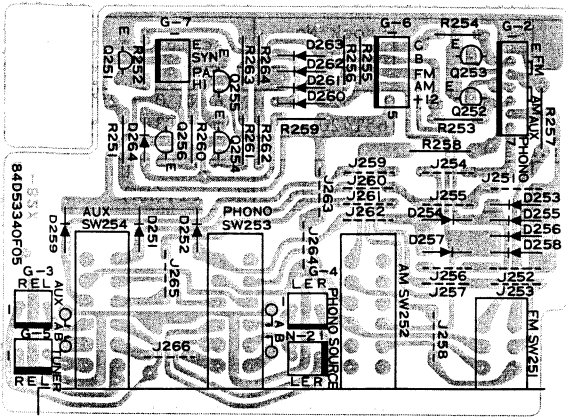
**Tone Control PCB  
RX-102**



Symbol No.	Stock No. RX-101	Stock No. RX-102	Description
<b>(Variable Resistor, Rotary)</b>			
VR201	18T53213F02	18T53213F02	100Kx2 Loudness
VR202	18T53214F01	18T53214F01	100Kx2 Volume
VR203	18T53213F03	18T53213F03	250KMN Balance
VR204	18T53213F01	18T53213F01	50Kx2 Bass
VR205	18T53213F01	18T53213F01	50Kx2 Treble
<b>(IC)</b>			
IC201	Non Use	51T53311F01	4562
<b>(Transistor)</b>			
Q201a,b	48T55934F01	Non Use	2SC2878
Q202a,b	Non Use	48T53301F01	2SC2240
Q203a,b	Non Use	48T53301F01	2SC2240
<b>(Diode)</b>			
D201	48T51117F01	Non Use	1S1553
<b>(Capacitor)</b>			
C201a,b	08S40656F04	08S40656F04	0.0018uF My
C202a,b	08S40656F19	08S40656F19	0.033uF My
C203a,b	08S40656F11	0.0068uF My	
	23T51236F07	3.3uF LR 50V EL	
C204a,b	08S40656F19	0.33uF My	
	21S40655F23	100pF Ce	
C205a,b	08S40656F23	Non Use	0.068uF My
C206a,b	08S40656F08	0.0039uF My	
	21S40655F30	470pF Ce	
C207a,b	08S40656F17	0.022uF My	
	23T51235F11	4.7uF 25V EL	
C208a,b	23T51235F13	4.7uF 50V EL	
	23T51235F24	22uF 16V EL	
C209a,b	23T51235F24	22uF 16V EL	
	08S40656F19	0.033uF My	
C210a,b	Non Use	08S40656F11	0.0068uF My
C211a,b	Non Use	08S40656F23	0.068uF My
C212a,b	Non Use	08S40656F17	0.022uF My
C213a,b	Non Use	08S40656F08	0.0039uF My
C214a,b	Non Use	23T51236F10	4.7uF LR 50V EL
C215a,b	Non Use	23T51236F10	4.7uF LR 50V EL

Symbol No.	Stock No. RX-101	Stock No. RX-102	Description
C216a,b	Non Use	21S40655F31	560pF Ce
C217	Non Use	23T51234F54	220uF 25V E1
C218	Non Use	23T51234F54	220uF 25V E1
C219	Non Use	21S40655F23	100pF Ce
C219a,b	Non Use	21S40655F19	47pF Ce
<b>(Resistor)</b>			
R201a,b	06S44593P71	06S44593P71	1.8K 1/4W Rd
R202a,b	06S44593P83	06S44593P83	5.6K 1/4W Rd
R203a,b	06S44593P81	06S44593P81	4.7K 1/4W Rd
R204a,b	06S44593P89	10K 1/4W Rd	
	06D40801G71	2.2K 1/2W Rd	
R205a,b	06D40801G85	8.2K 1/2W Rd	
	06S44594P30	470K 1/4W Rd	
R206a,b	06D40802G04	47K 1/2W Rd	
	06S44593P85	6.8K 1/4W Rd	
R207a,b	06S44593P87	8.2K 1/4W Rd	
	06S44593P53	330 1/4W Rd	
R208a,b	06S44593P71	1.8K 1/4W Rd	
	06S44593P59	560 1/4W Rd	
R209a,b	06S44593P53	330 1/4W Rd	
	06S44593P91	12K 1/4W Rd	
R210a,b	06S44593P69	1.5K 1/4W Rd	
	06S44593P91	12K 1/4W Rd	
R211	06S40151T18	150K 1/4W Rd	
R211a,b	06S44593P87	8.2K 1/4W Rd	
R212a,b	Non Use	06S44594P26	330K 1/4W Rd
R213a,b	Non Use	06D40801G39	56 1/2W Rd
R214a,b	Non Use	06D40802G04	47K 1/2W Rd
R215a,b	Non Use	06S44593P69	1.5K 1/4W Rd
R216a,b	Non Use	06S44593P53	330 1/4W Rd
R217a,b	Non Use	06S44593P71	18K 1/4W Rd
R218a,b	Non Use	06S44593P87	8.2K 1/4W Rd
R219a,b	Non Use	06S44593P57	470 1/4W Rd
R220	Non Use	06T55175F49	220 1/2W Rm
R221	Non Use	06T55175F49	220 1/2W Rm

## Function SW PCB Parts List



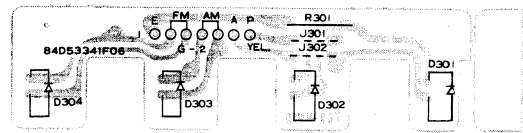
Symbol No.	Stock No. RX-101	Stock No. RX-102	Description
(Switch, Push)			
SW251-254	40T53208F01	40T53208F01	SUL411A
(Transistor)			
Q251	48S43525F02	48S43525F02	2SC1815Y
Q252	48S43525F02	48S43525F02	2SC1815Y
Q253	48S43525F02	48S43525F02	2SC1815Y
Q254	48S43525F02	48S43525F02	2SC1815Y
Q255	48S43525F02	48S43525F02	2SC1815Y
Q256	48S43525F02	48S43525F02	2SC1815Y
(Diode)			
D251	48T51582F01	48T51582F01	MA-150
D252	48T51582F01	48T51582F01	MA-150
D253	48T51582F01	48T51582F01	MA-150

Symbol No.	Stock No. RX-101	Stock No. RX-102	Description
D254	48T51582F01	48T51582F01	MA-150
D255	48T51582F01	48T51582F01	MA-150
D256	48T51582F01	48T51582F01	MA-150
D257	48T51582F01	48T51582F01	MA-150
D258	48T51582F01	48T51582F01	MA-150
D259	48T51582F01	48T51582F01	MA-150
D260	48T51582F01	48T51582F01	MA-150
D261	48T51582F01	48T51582F01	MA-150
D262	48T51582F01	48T51582F01	MA-150
D263	48T51582F01	48T51582F01	MA-150
D264	48T51582F01	48T51582F01	MA-150

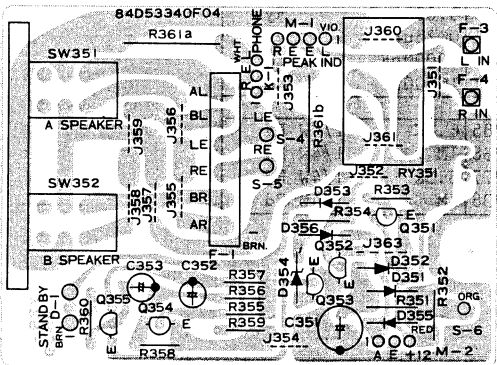
(Resistor)			
R251	06S44593P67	06S44593P67	1.2K 1/4W Rd
R252	06S44594P06	06S44594P06	47K 1/4W Rd
R253	06S44594P06	06S44594P06	47K 1/4W Rd (U)
	06S44593P89	06S44593P89	10K 1/4W Rd (AK)
R254	06S44594P06	06S44594P06	47K 1/4W Rd (U)
	06S44593P89	06S44593P89	10K 1/4W Rd (AK)
R255	06S44594P06	06S44594P06	47K 1/4W Rd
R256	06S44594P06	06S44594P06	47K 1/4W Rd
R257	06D40801G57	06D40801G57	560 1/2W Rd
R258	06D40801G57	06D40801G57	560 1/2W Rd
R259	06S44594P06	06S44594P06	47K 1/4W Rd
R260	06S44593P99	06S44593P99	27K 1/4W Rd
R261	06S44594P14	06S44594P14	100K 1/4W Rd
R262	06S44594P14	06S44594P14	100K 1/4W Rd
R263	06S44594P14	06S44594P14	100K 1/4W Rd
R264	06S44594P14	06S44594P14	100K 1/4W Rd

## Function LED PCB Parts List

Symbol No.	Stock No. RX-101	Stock No. RX-102	Description
(LED)			
D301	48T52953F01	48T52953F01	BR3432 Red
D302	48T52953F01	48T52953F01	BR3432 Red
D303	48T52953F01	48T52953F01	BR3432 Red
D304	48T52953F01	48T52953F01	BR3432 Red
(Resistor)			
R301	06D40801G57	06D40801G57	560 1/2W Rd



## Speaker SW PCB Parts List



Symbol No.	Stock No. RX-101	Stock No. RX-102	Description
(Switch, Push)			
SW351-352	40T53207F01	40T53207F01	SUL211S
(Relay)			
RY351	Non Use	80T53350F01	G2Z-222P-US
(Transistor)			
Q351	Non Use	48S43525F02	2SC1815Y
Q352	Non Use	48S43015U01	2SC2120Y
Q353	Non Use	48S43525F02	2SC1815Y
Q354	Non Use	48S43525F02	2SC1815Y
Q355	Non Use	48S43525F02	2SC1815Y

Symbol No.	Stock No. RX-101	Stock No. RX-102	Description
(Diode)			
D351	Non Use	48T51582F01	MA-150
D352	Non Use	48T51582F01	MA-150
D353	Non Use	48T40477U01	1N4003
D354	Non Use	48T52739F37	HZ6B-1 Zener
D355	Non Use	48T51582F01	MA-150
D356	Non Use	48T51582F01	MA-150
(Capacitor)			
C351	Non Use	23T51235F44	100uF 16V E1
C352	Non Use	23T51235F31	33uF 16V E1
C353	Non Use	23T51235F31	33uF 16V E1
(Resistor)			
R351	Non Use	06S44594P14	100K 1/4W Rd
R352	Non Use	06S44593P89	10K 1/4W Rd
R353	Non Use	06S44593P77	3.3K 1/4W Rd
R354	Non Use	06S44593P85	6.8K 1/4W Rd
R355	Non Use	06S44593P79	3.9K 1/4W Rd
R356	Non Use	06S44593P97	22K 1/4W Rd
R357	Non Use	06S44593P95	18K 1/4W Rd
R358	Non Use	06S44594P38	1M 1/4W Rd
R359	Non Use	06S44594P38	1M 1/4W Rd
R360	Non Use	06S44593P63	820 1/4W Rd
R361a,b	06T55179F53	06T55179F53	330 2W Rd

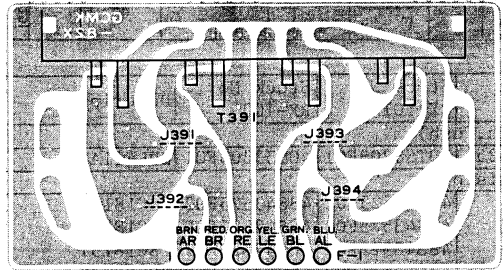
## FL Fuse PCB Parts List



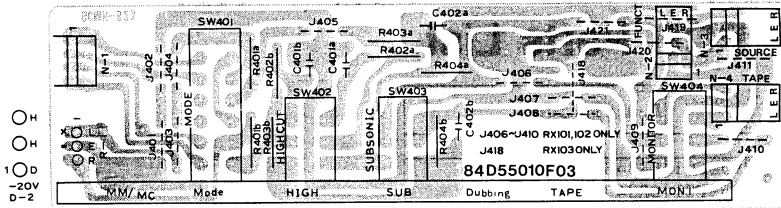
Symbol No.	Stock No. RX-101	Stock No. RX-102	Description
(Fuse)			
F200	65T52486F13 65T42077U11	65T52486F13 65T42077U11	MF61NM 0.5-250 (U) Semko T315mA (AK)
(Holder, Fuse)			
	09T51960F01 09T51410F01	65T51960F01 09T51410F01	YSH-401T (U) Holder, (AK)

## Speaker Terminal PCB Parts List

Symbol No.	Stock No. RX-101	Stock No. RX-102	Description
(Terminal Speaker)			
T391	09T51101F01	09T51101F01	Terminal, SP.

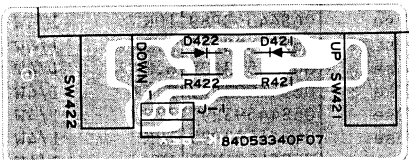


## Filter SW PCB Parts List



Symbol No.	Stock No. RX-101	Stock No. RX-102	Description
(Switch, Push)			
SW401-404	40T53212F01	40T53212F01	SUL431A
(Capacitor)			
C401a,b	08T42629F14	08T42629F14	0.0056uF My
C402a,b	08T42629F31	08T42629F31	0.25uF My
C403	21C45322G31	21C45322G31	10000pF Ce
C404	21C45322G31	21C45322G31	10000pF Ce
(Resistor)			
R401a,b	06S44593P85	06S44593P85	6.8K 1/4W Rd
R402a,b	06S44594P38	06S44594P38	1M 1/4W Rd
R403a,b	06S44593P77	06S44593P77	3.3K 1/4W Rd
R404a,b	06S44594P38	06S44594P38	1M 1/4W Rd

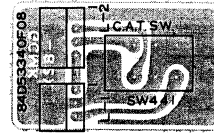
## Up Down SW PCB Parts List



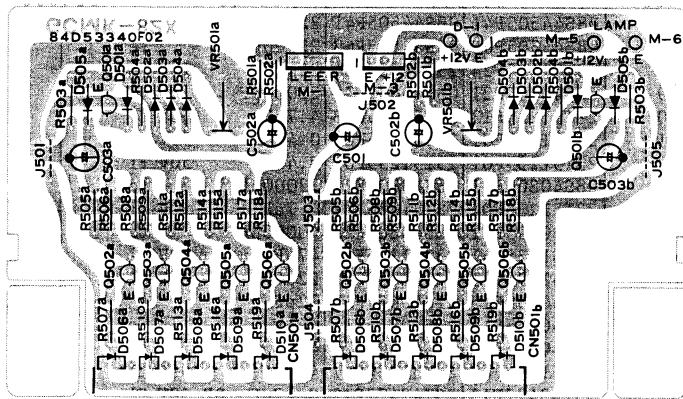
Symbol No.	Stock No. RX-101	Stock No. RX-102	Description
(Switch, Push)			
SW421-422	40T53210F01	40T53210F01	SUL211A
(Diode)			
D421	48T51582F01	48T51582F01	MA-150
D422	48T51582F01	48T51582F01	MA-150
(Resistor)			
R421	06S44594P06	06S44594P06	47K 1/4W Rd
R422	06S44594P06	06S44594P06	47K 1/4W Rd
(Capacitor)			
C421	21C45322G31	21C45322G31	1000pF Ce
C422	21C45322G31	21C45322G31	1000pF Ce

# C.A.T. Off SW PCB Parts List

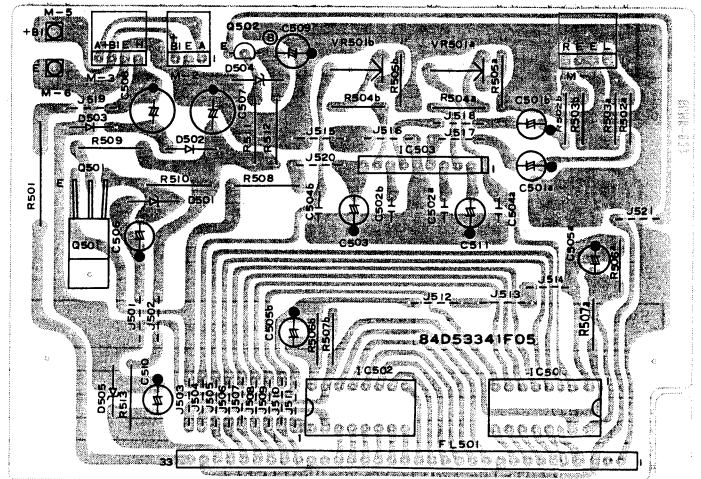
Symbol No.	Stock No. RX-101	Stock No. RX-102	Description
(Switch, Push)			
SW441	40T53209F01	40T53209F01	SUL121A



## Peak LED Indicator PCB Parts List (RX-101)



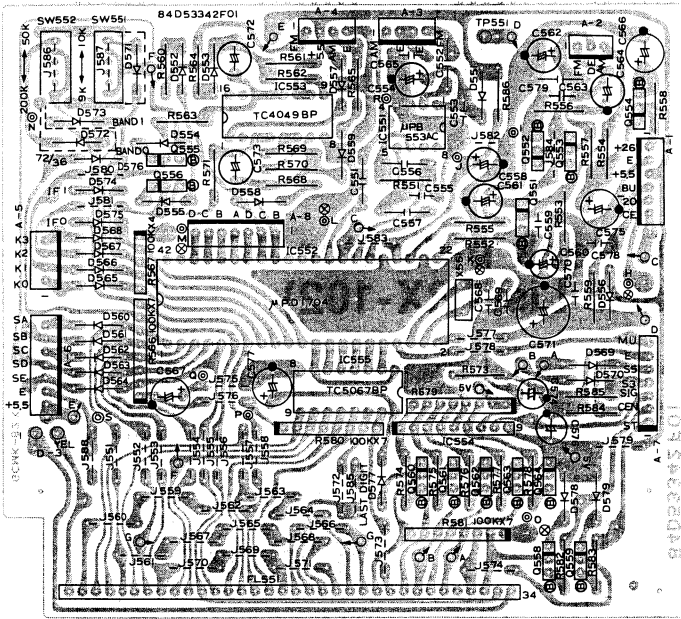
## FL Peak Indicator PCB Parts List (RX-102)



Symbol No.	Stock No. RX-101	Stock No. RX-102	Description
<b>(FL Meter)</b>			
FL501	Non Use	65T53334F01	FIP12CW7YS
<b>(Variable Resistor)</b>			
VR501a,b	18C42061J15	18C52946F05	50KB 470
<b>(IC)</b>			
IC501	Non Use	51T53312F01	HA12010
IC502	Non Use	51T53312F01	HA12010
IC503	Non Use	51T53313F01	TA7318P-1
<b>(Transistor)</b>			
Q501		48T42620F02	2SD880Y
Q501a,b	48T55181F01		2SC1740R,S
Q502		48S43525F02	2SC1815Y
Q502a,b	48T55181F01		2SC1740R,S
Q503a,b	48T55181F01	Non Use	2SC1740R,S
Q504a,b	48T55181F01	Non Use	2SC1740R,S
Q505a,b	48T55181F01	Non Use	2SC1740R,S
Q506a,b	48T55181F01	Non Use	2SC1740R,S
<b>(Diode)</b>			
D501		48T5273984	HZ18-3 Zener
D501a,b	48T51582F01		MA-150
D502		48S40477U01	1N4003
D502a,b	48T51582F01		MA-150
D503	Non Use	48S40477U01	1N4003
D504	Non Use	48T52739F68	HZ11C-2 Zener
D505		48T52741F45	HZ12C-3L Zener
D505a,b	48T51582F01		MA-150
D506a,b	48T52238F02	Non Use	PR5532K LED
D507a,b	48T52238F02	Non Use	PR5532K LED
D508a,b	48T52238F02	Non Use	PR5532K LED
D509a,b	48T52238F02	Non Use	PR5532K LED
D510a,b	48T52238F02	Non Use	PR5532K LED
<b>(Capacitor)</b>			
C501	23T51235F24		22uF 16V E1
C501a,b		23T51236F01	0.1uF LR 50V E1
C502a,b	23T51236F04		0.47uF LR 50V E1
		08S41442F07	0.0035uF My
C503		23T51235F39	47uF 25V E1
C503a,b	23T51235F16		10uF 16V E1
C504a,b	Non Use	21C45322G33	0.047uF Ce

Symbol No.	Stock No. RX-101	Stock No. RX-102	Description
C505a,b	Non Use	23J51235F16	10uF 16V E1
C506	Non Use	23T51235F32	33uF 25V E1
C507	Non Use	23T51234F48	100uF 50V E1
C508	Non Use	23T51234F48	100uF 50V E1
C509	Non Use	23T51235F16	10uF 16V E1
C510	Non Use	23T51235F16	10uF 16V E1
C511	Non Use	23T51235F01	0.47uF 50V E1
<b>(Resistor)</b>			
R501		06T51179F51	270 2W Rm
R501a,b	06S44593P97		22K 1/4W Rd
R502a,b		06S44594P06	47K 1/4W Rd
	06S44593P89		10K 1/4W Rd
R503a,b		06S44593P89	10K 1/4W Rd
	06S44593P81		4.7K 1/4W Rd
R504a,b		06S44593P61	680 1/4W Rd
	06S44594P18		150K 1/4W Rd
R505a,b		06S44593P63	820 1/4W Rd
	06S44593P82		5.1K 1/4W Rd
R506a,b		06S44593P63	820 1/4W Rd
	06S44593P85		6.8K 1/4W Rd
R507a,b		06S44594P08	56K 1/4W Rd
	06S44593P67		1.2K 1/4W Rd
R508		06T55175F45	150 1/2W Rm
R508a,b	06S44593P91		12K 1/4W Rd
R509		06T55175F41	100 1/2W Rm
R509a,b	06S44593P85		6.8K 1/4W Rd
R510		06T55175F69	1.5K 1/2W Rm
R510a,b	06S44593P67		1.2K 1/4W Rd
R511		06T55175F41	100 1/2W Rm
R511a,b	06S44593P97		22K 1/4W Rd
R512		06D40801G73	2.7K 1/2W Rd
R512a,b	06S44593P73		6.8K 1/4W Rd
R513		06D40801G73	2.7K 1/2W Rd
R513a,b	06S44593P67		1.2K 1/4W Rd
R514a,b	06S44594P04	Non Use	39K 1/4W Rd
R515a,b	06S44593P85	Non Use	6.8K 1/4W Rd
R516a,b	06S44593P67	Non Use	1.2K 1/4W Rd
R517a,b	06S44594P12	Non Use	82K 1/4W Rd
R518a,b	06S44593P85	Non Use	6.8K 1/4W Rd
R519a,b	06S44593P67	Non Use	1.2K 1/4W Rd

# Synthesized PCB Parts List



Symbol No.	Stock No. RX-101	Stock No. RX-102	Description
(FL Meter)			
FL551	65T53335F01	65T53335F01	FIP8BM4
(Crystal)			
X551	48T55072F01	48T55072F01	4.8MHz-M
(Switch)			
SW551	40T51963F01	40T51963F01	Slide SW343-1
SW552	40T51963F01	40T51963F01	Slide SW343-1
(IC)			
IC551	51T43271F01	51T43271F01	uPB553AC
IC552	51T52357F01	51T52357F01	uPD1704C-534
IC553	51T47655F01	51T47655F01	TC4049BP
IC554	51T53314F01	51T53314F01	BA6125
IC555	51T53316F01	51T53316F01	TC5067BP
(Transistor)			
Q551	48T51090F02	48T51090F02	2SC1545B
Q552	48T51091F01	48T51091F01	2SC2021
Q553	48T51091F01	48T51091F01	2SC2021
Q554	48T51091F01	48T51091F01	2SC2021
Q555	48T51089F01	48T51089F01	2SA937Q,R
Q556	48T51089F01	48T51089F01	2SA937Q,R
Q557	Non Use	Non Use	
Q558	48T51089F01	48T51089F01	2SA937Q,R
Q559	48T51089F01	48T51089F01	2SA937Q,R
Q560	48T51089F01	48T51089F01	2SA937Q,R
Q561	48T51089F01	48T51089F01	2SA937Q,R
Q562	48T51089F01	48T51089F01	2SA937Q,R
Q563	48T51089F01	48T51089F01	2SA937Q,R
Q564	48T51089F01	48T51089F01	2SA937Q,R
(Diode)			
D551	48T51582F01	48T51582F01	MA-150
D552	48T51582F01	48T51582F01	MA-150
D553	48T51582F01	48T51582F01	MA-150
D554	48T51582F01	48T51582F01	MA-150
D555	48T51582F01	48T51582F01	MA-150
D556	48T51582F01	48T51582F01	MA-150
D557	48T51582F01	48T51582F01	MA-150
D558	48T51582F01	48T51582F01	MA-150
D559	48T51582F01	48T51582F01	MA-150
D560	48T51582F01	48T51582F01	MA-150
D561	48T51582F01	48T51582F01	MA-150
D562	48T51582F01	48T51582F01	MA-150
D563	48T51582F01	48T51582F01	MA-150
D564	48T51582F01	48T51582F01	MA-150
D565	48T51582F01	48T51582F01	MA-150
D566	48T51582F01	48T51582F01	MA-150
D567	48T51582F01	48T51582F01	MA-150
D568	48T51582F01	48T51582F01	MA-150
D569	48T51582F01	48T51582F01	MA-150
D570	48T51582F01	48T51582F01	MA-150
D571	48T51582F01	48T51582F01	MA-150

Symbol No.	Stock No. RX-101	Stock No. RX-102	Description
D572	48T51582F01	48T51582F01	MA-150
D573	Non Use	Non Use	
D574	48T51582F01	48T51582F01	MA-150
D575	48T51582F01	48T51582F01	MA-150
D576	Non Use	Non Use	
D577	48T51582F01	48T51582F01	MA-150
D578	48T51582F01	48T51582F01	MA-150
D579	48T51582F01	48T51582F01	MA-150
(Capacitor)			
C551	08S44505P63	08S44505P63	22000pF Ce
C552	08S44505P63	08S44505P63	22000pF Ce
C553	08S40805F22	08S40805F22	40000pF Ce
C554	23T51235F31	23T51235F31	33uF 16V E1
C555	21S40655F11	21S40655F11	10pF Ce
C556	08S44505P41	08S44505P41	220pF Ce
C557	08S44505P63	08S44505P63	22000pF Ce
C558	23T51235F24	23T51235F24	22uF 16V E1
C559	08S40805F21	08S40805F21	22000pF Ce
C560	23T51235F13	23T51235F13	4.7uF 50V E1
C561	23T51235F01	23T51235F01	0.47uF 50V E1
C562	23T51235F01	23T51235F01	0.47uF 50V E1
C563	08S40805F21	08S40805F21	22000pF Ce
C564	23T51235F01	23T51235F01	4.7uF 50V E1
C565	08S40805F22	08S40805F22	40000pF Ce
C566	23T51235F41	23T51235F41	47uF 50V E1
C567	23T51235F25	23T51235F25	22uF 25V E1
C568	21S40655F15	21S40655F15	22pF Ce
C569	21S40655F15	21S40655F15	22pF Ce
C570	08S40805F22	08S40805F22	40000pF Ce
C571	23T51234F67	23T51234F67	470uF 63V E1
C572	23T42477F15	23T42477F15	0.47uF BP 50V E1
C573	23T42477F15	23T42477F15	0.47uF BP 50V E1
C574	23T51235F13	23T51235F13	4.7uF 50V E1
C575	23T51235F41	23T51235F41	47uF 50V E1
C576	23T51235F31	23T51235F31	33uF 16V E1
C577	23T51235F31	23T51235F31	33uF 16V E1
C578	08S40805F22	08S40805F22	40000pF Ce
C579	08T44979P14	08T44979P14	100000pF Ce
C580	08S44505P49	08S44505P49	1000pF Ce
(Resistor)			
R551	06S44594P22	06S44594P22	220K 1/4W Rd
R552	06S44593P81	06S44593P81	4.7K 1/4W Rd
R553	06S44593P65	06S44593P65	1K 1/4W Rd
R554	06S44593P89	06S44593P89	10K 1/4W Rd
R555	06S44593P65	06S44593P65	1K 1/4W Rd
R556	06S44593P59	06S44593P59	560 1/4W Rd
R557	06S44593P81	06S44593P81	4.7K 1/4W Rd
R558	06S44593P89	06S44593P89	10K 1/4W Rd
R559	06S44593P41	06S44593P41	100 1/4W Rd
R560	06S44594P06	06S44594P06	47K 1/4W Rd
R561	06S44594P24	06S44594P24	270K 1/4W Rd
R562	06S44593P77	06S44593P77	3.3K 1/4W Rd
R563	06S44594F06	06S44594F06	47K 1/4W Rd
R564	06S44594P06	06S44594P06	47K 1/4W Rd
R565	06S44594P06	06S44594P06	47K 1/4W Rd
R566	51T51133F01	51T51133F01	100Kx7 Network
R567	51T51133F02	51T51133F02	100Kx4 Network
R568	06S44594P06	06S44594P06	47K 1/4W Rd
R569	06S44594P24	06S44594P24	270K 1/4W Rd
R570	06S44593P77	06S44593P77	3.3K 1/4W Rd
R571	06S44594P06	06S44594P06	47K 1/4W Rd
R572	Non Use	Non Use	
R573	06S44593P97	06S44593P97	22K 1/4W Rd
R574	06S44593P97	06S44593P97	22K 1/4W Rd
R575	06S44593P97	06S44593P97	22K 1/4W Rd
R576	06S44593P97	06S44593P97	22K 1/4W Rd
R577	06S44593P97	06S44593P97	22K 1/4W Rd
R578	06S44593P97	06S44593P97	22K 1/4W Rd
R579	51T51133F03	51T51133F03	10Kx7 Network
R580	51T51133F01	51T51133F01	100Kx7 Network
R581	51T51133F01	51T51133F01	100Kx7 Network
R582	06S44593P97	06S44593P97	22K 1/4W Rd
R583	06S44593P97	06S44593P97	22K 1/4W Rd
R584	06S44594P14	06S44594P14	100K 1/4W Rd
R585	06S44594P14	06S44594P14	100K 1/4W Rd
R586	06S44594P06	06S44594P06	47K 1/4W Rd

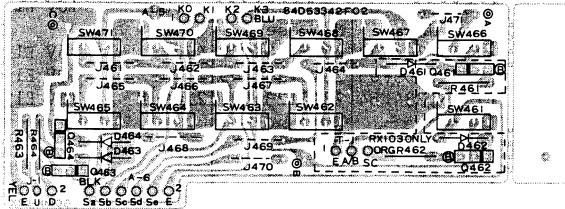


## Head Phone PCB Parts List

Symbol No.	Stock No. RX-101	Stock No. RX-102	Description
(Jack, Head Phone)			
PJ451	09T56010F01	09T56010F01	M1669



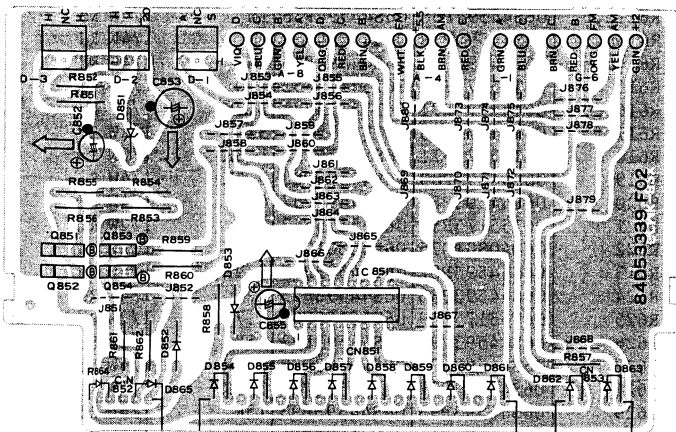
## Tact SW PCB Parts List



Symbol No.	Stock No. RX-101	Stock No. RX-102	Description
(Switch, Push)			
SW461	40T53211F01	40T53211F01	SPW009B Scan
SW462	40T53211F01	40T53211F01	SPW009B 5
SW463	40T53211F01	40T53211F01	SPQ009B 6
SW464	40T53211F01	40T53211F01	SPQ009B 7
SW465	40T53211F01	40T53211F01	SPQ009B 8

Symbol No.	Stock No. RX-101	Stock No. RX-102	Description
SW466	40T53211F01	40T53211F01	SPQ009B Store
SW467	40T53211F01	40T53211F01	SPQ009B A/B
SW468	40T53211F01	40T53211F01	SPQ009B 1
SW469	40T53211F01	40T53211F01	SPQ009B 2
SW470	40T53211F01	40T53211F01	SPQ009B 3
SW471	40T53211F01	40T53211F01	SPQ009B 4
(Transistor)			
Q463	48T51089F01	48T51089F01	2SA937Q,R
Q464	48T51089F01	48T51089F01	2SA937Q,R
(Diode)			
D463	48T51582F01	48T51582F01	MA-150
D464	48T51582F01	48T51582F01	MA-150
(Resistor)			
R463	06S44594P06	06S44594P06	47K 1/4W Rd
R464	06S44594P06	06S44594P06	47K 1/4W Rd

## Preset LED PCB Parts List



Symbol No.	Stock No. RX-101	Stock No. RX-102	Description
(IC)			
IC851	51T53321F01	51T53321F01	MM74LS42P
(Transistor)			
Q851	48T51091F01	48T51091F01	2SC2021S
Q852	48T51091F01	48T51091F01	2SC2021S
Q853	48T51091F01	48T51091F01	2SC2021S
Q854	48T51091F01	48T51091F01	2SC2021S
(Diode)			
D851	48T52739F37	48T52739F37	HZ6B-1, Zener
D852	48T51582F01	48T51582F01	MA-150
D853	48T51582F01	48T51582F01	MA-150

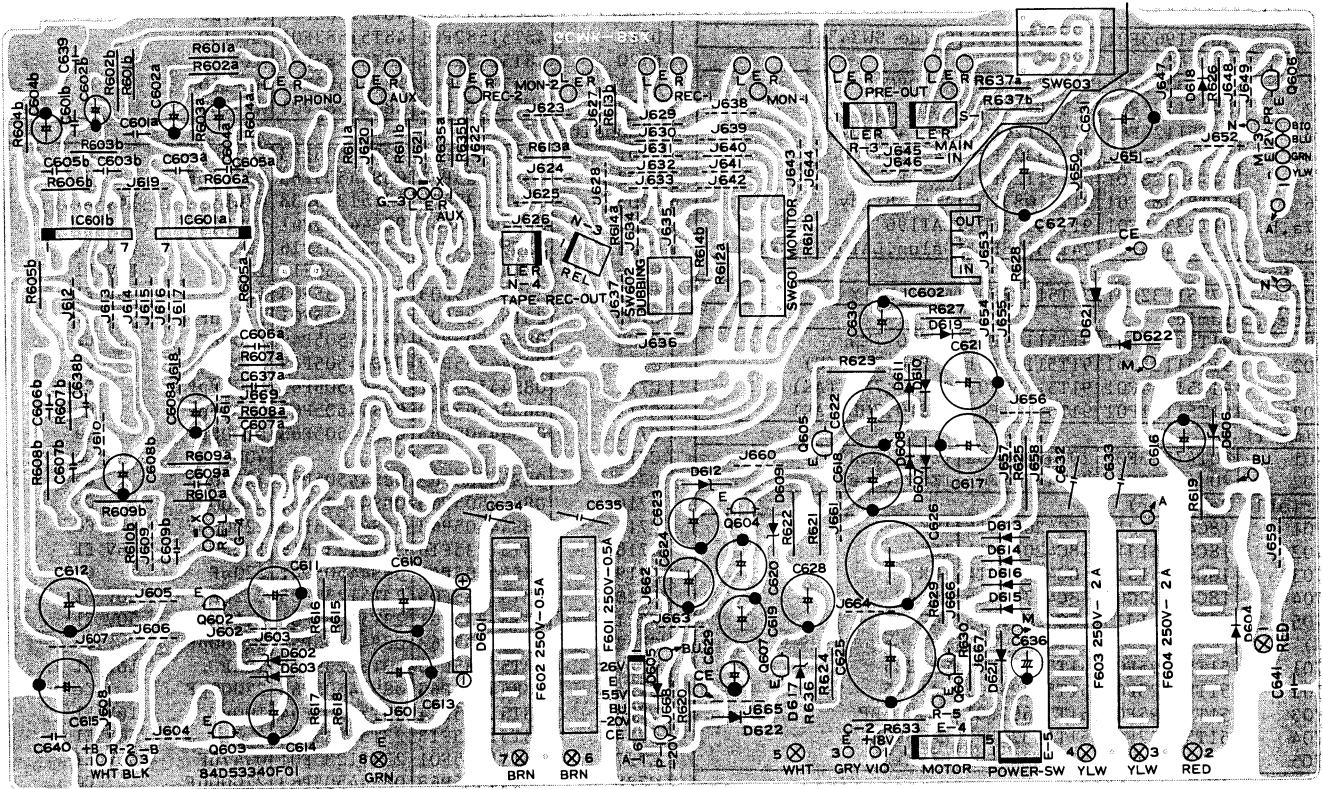
Symbol No.	Stock No. RX-101	Stock No. RX-102	Description
(LED)			
D854	48T50885F01	48T50885F01	SLP144B
D855	48T50885F01	48T50885F01	SLP144B
D856	48T50885F01	48T50885F01	SLP144B
D857	48T50885F01	48T50885F01	SLP144B
D858	48T50885F01	48T50885F01	SLP144B
D859	48T50885F01	48T50885F01	SLP144B
D860	48T50885F01	48T50885F01	SLP144B
D861	48T50885F01	48T50885F01	SLP144B
D862	48T50885F01	48T50885F01	SLP144B
D863	Non Use	48T50885F01	SLP144B
D864	48T50885F01	48T50885F01	SLP144B
D865	48T50885F01	48T50885F01	SLP144B
(Capacitor)			
C851	Non Use	Non Use	
C852	23S41198U15	23S41198U15	22uF 25V E1
C853	23S41198U15	23S41198U15	22uF 25V E1
C854	Non Use	Non Use	
C855	23S41198U12	23S41198U12	10uF 50V E1
(Resistor)			
R851	06S44593P49	06S44593P49	220 1/4WRd
R852	06S44593P49	06S44593P49	220 1/4WRd
R853	06S44593P97	06S44593P97	22K 1/4WRd
R854	06S44593P77	06S44593P77	3.3K 1/4WRd
R855	06S44594P14	06S44594P14	100K 1/4WRd
R856	06S44594P06	06S44594P06	47K 1/4WRd
R857	Non Use	06S44593P67	1.2K 1/4WRd
R858	06S44593P57	06S44593P57	470 1/4WRd
R859	06S44594P06	06S44594P06	47K 1/4WRd
R860	06S44594P06	06S44594P06	47K 1/4WRd
R861	06S44593P57	06S44593P57	470 1/4WRd
R862	06S44593P57	06S44593P57	470 1/4WRd

## Power PCB Parts List

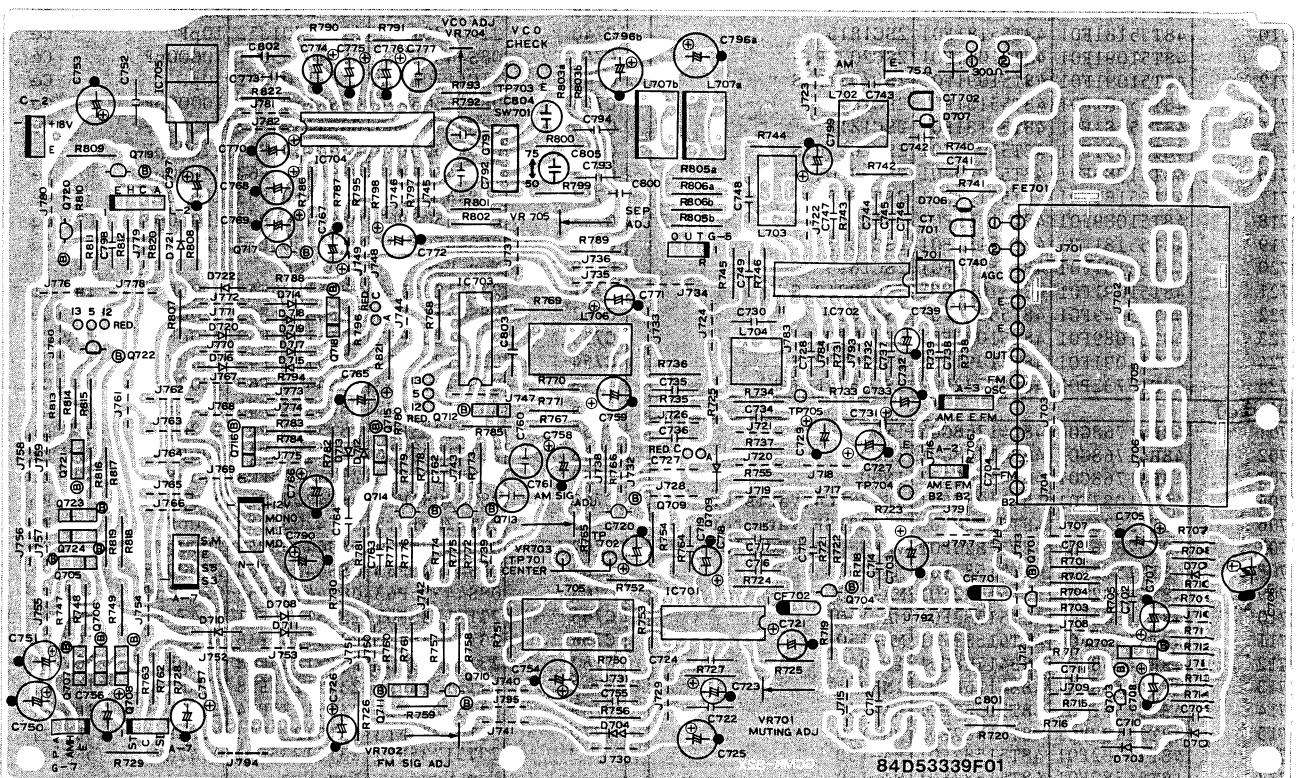
Symbol No.	Stock No. RX-101	Stock No. RX-102	Description
<b>(Fuse)</b>			
F601	65T52486F13 65T42077U11	65T52486F13 65T42077U11	MF61NM 0.5-250 (U) Semko T315mA (AK)
F602	65T52486F13 65T42077U11	65T52486F13 65T42077U11	MF61NM 0.5-250 (U) Semko T315mA (AK)
F603	65T52486F18 65T42077U17	65T52486F18 65T42077U17	MF61NM 2-250 (U) Semko T1.25A (AK)
F604	65T52486F18 65T42077U17	65T52486F18 65T42077U17	MF61NM 2-250 (U) Semko T1.25A (AK)
<b>(Holder,Fuse)</b>			
	09T51960F01	09T51960F01	YSH-401F (U)
	09T51410F01	09T51410F01	Holder,Fuse (AK)
<b>(Plate,Phone)</b>			
T601,602	09T50231F03	09T50231F03	6P
T603	Non Use	09T50231F02	4P
<b>(Switch)</b>			
SW601,602	40T53206F01	40T53206F01	Push SUL232A
SW603	Non Use	40T53205F01	Slide SSP32204
<b>(IC)</b>			
IC601a,b	51T53319F01	51T53319F01	M5214L
IC602	51T53320F01	51T53320F01	L78M12
<b>(Transistor)</b>			
Q601	48S43525F02	48S43525F02	2SC1815Y
Q602	48T51120F01	48T51120F01	2SC2235
Q603	48T51119F01	48T51119F01	2SA965
Q604	48T51118F01	48T51118F01	2SA1015Y
Q605	48S43525F02	48T43525F02	2SC1815Y
Q606	48S43525F02	48S43525F02	2SC1815Y
Q607	48T43015U01	48T43015U01	2SC2120Y
Q608	48T44652P01	48T44652P01	2SA490
<b>(Diode)</b>			
D601	48T53388F01	48T53388F01	S1VB20
D602	48T52739F86	48T52739F86	HZ20-2,Zener
D603	48T52739F86	48T52739F86	HZ20-2,Zener
D604	48S40477U01	48S40477U01	1N4003
D605	48T51582F01	48T51582F91	MA-150
D606	48T51739F41	48T52739F41	HZ6C-2,Zener
D607	48S40477U01	48S40477U01	1N4003
D608	48S40477U01	48S40477U01	1N4003
D609	48T52739F88	48T52739F88	HZ22-1,Zener
D610	48S40477U01	48S40477U01	1N4003
D611	48S40477U01	48S40477U01	1N4003
D612	48T52739F94	48T52739F94	HZ27-1,Zener
D613	48S40477U01	48S40477U01	1N4003
D614	48S40477U01	48S40477U01	1N4003
D615	48S40477U01	48S40477U01	1N4003
D616	48S40477U01	48S40477U01	1N4003
D617	48T52739F41	48T52739F41	HZ6C-2,Zener
D618	48T51582F01	48T51582F01	MA-150
D619	48T51582F01	48T51582F01	MA-150
D620	48T51582F01	48T51582F01	MA-150
D621	48T51582F01	48T51582F01	MA-150
D622	48T51582F01	48T51582F01	MA-150
D623	48T52739F41	48T52739F41	HZ6C-2,Zener
D624	48T51582F01	48T51582F01	MA-150
<b>(Capacitor)</b>			
C601a,b	08S40805F01	08S40805F01	100pF Ce
C602a,b	23T51236F08	23T51236F08	4.7uF LR 25V E1
C603a,b	08S40805F01	08S40805F01	100pF Ce
C604a,b	23T51235F38	23T51235F38	47uF 16V E1
C605	Non Use	Non Use	
C606a,b	08S41442F08	08S41442F08	0.0039uF My
C607a,b	08S41442F15	08S41442F15	0.015uF My
C608a,b	23T51236F06	23T51236F06	2.2uF LR 50V E1
C609a,b	08S40805F05	08S40805F05	470uF Ce
C610	23T51234F48	23T51234F48	100uF 50V E1
C611	23T51235F45	23T51235F45	100uF 25V E1
C612	23T51234F54	23T51234F54	220uF 25V E1
C613	23T51234F48	23T51234F48	100uF 50V E1
C614	23T51235F45	23T51235F45	100uF 25V E1
C615	23T51234F54	23T51234F54	220uF 25V E1

Symbol No.	Stock No. RX-101	Stock No. RX-102	Description
C616	23T51235F38	23T51235F38	47uF 16V E1
C617	23T51235F41	23T51235F41	47uF 50V E1
C618	23T51235F41	23T51235F41	47uF 50V E1
C619	23T51235F39	23T51235F39	47uF 25V E1
C620	23T51235F39	23T51235F39	47uF 25V E1
C621	23T51234F48	23T51234F48	100uF 50V E1
C622	23T51234F48	23T51234F48	100uF 50V E1
C623	23T51234F47	23T51234F47	100uF 35V E1
C624	23T51235F40	23T51235F40	47uF 35V E1
C625	23T51234F78	23T51234F78	1000uF 25V E1
C626	23T51234F78	23T51234F78	1000uF 25V E1
C627	23T51234F89	23T51234F89	3300uF 16V E1
C628	Non Use	Non Use	
C629	23T51235F38	23T51235F38	47uF 16V E1
C630	23T51235F05	23T51235F05	2.2uF 50V E1
C631	23T51234F84	23T51234F84	2200uF 16V E1
C632	Non Use	Non Use	
C633	Non Use	Non Use	
C634	Non Use	Non Use	
C635	Non Use	Non Use	
C636	23T51235F44	23T51235F44	100uF 16V E1
C637	Non Use	Non Use	
C638	Non Use	Non Use	
C639	08S40805F21	08S40805F21	2200pF Ce
C640	23S40657F28	23S40657F28	1uF 50V E1
C641	Non Use	Non Use	
C642	08S44505P63	08S44505P63	22000pF Ce
C643	08S44505P63	08S44505P63	22000pF Ce
C644	08S44505P63	08S44505P63	22000pF Ce
<b>(Resistor)</b>			
R601a,b	06S44594P30	06S44594P30	470K 1/4W Rd
R602a,b	06D40801G71	06D40801G71	2.2K 1/2W Rd
R603a,b	06S44594P06	06S44594P06	47K 1/4W Rd
R604a,b	06S44593P55	06S44593P55	390 1/4W Rd
R605a,b	06S44593P61	06S44593P61	680 1/4W Rd
R606a,b	06S44593P41	06S44593P41	100 1/4W Rd
R607a,b	06S44593P95	06S44593P95	18K 1/4W Rd
R608a,b	06S44594P22	06S44594P22	220K 1/4W Rd
R609a,b	06S44593P59	06S44593P59	560 1/4W Rd
R610a,b	06S44594P26	06S44594P26	330K 1/4W Rd
R611a,b	06S44594P38	06S44594P38	1M 1/4W Rd
R612a,b	06S44594P38	06S44594P38	1M 1/4W Rd
R613a,b	06S44594P38	06S44594P38	1M 1/4W Rd
R614a,b	06S44594P38	06S44594P38	1M 1/4W Rd
R615	06T55175F53	06T55175F53	330 1/2W Rm
R616	06T55175F71	06T55175F71	1.8K 1/2W Rm
R617	06T55175F53	06T55175F53	330 1/2W Rm
R618	06T55175F71	06S55175F71	1.8K 1/2W Rm
R619	06S44593P83	06S44593P83	5.6K 1/4W Rd
R620	06S44593P57	06S44593P57	470 1/4W Rd
R621	06T55175F53	06T55175F53	330 1/2W Rm
R622	06D40801G75	06D40801G75	3.3K 1/2W Rd
R623	06S44593P87	06S44593P87	8.2K 1/4W Rd
R624	06S44593P33	06S44593P33	47 1/4W Rd
R625	06T55175F09	06T55175F09	4.7 1/2W Rm
R626	06S44593P93	06S44593P93	15K 1/4W Rd
R627	06S44593P73	06S44593P73	2.2K 1/4W Rd
R628	06S44593P77	06S44593P77	3.3K 1/4W Rd
R629	06S44593P93	06S44593P93	15K 1/4W Rd
R630	06S44594P14	06S44594P14	100K 1/4W Rd (U)
	06S44593P93	06S44593P93	15K 1/4W Rd (AK)
R631	Non Use	Non Use	
R632	Non Use	Non Use	
R633	06T55177F21	06T55177F21	15 1W Rm
R634	Non Use	Non Use	
R635a,b	06S44594P38	06S44594P38	1M 1/4W Rd
R636	06S44593P67	06S44593P67	1.2K 1/4W Rd
R637a,b	06S44594P26	06S44594P26	330K 1/4W Rd
R638	06S44593P73	06S44593P73	2.2K 1/4W Rd
R640	06S44593P65	06S44593P65	1K 1/4W Rd (AK)
R641	06S44593P65	06S44593P65	1K 1/4W Rd (AK)

Power PCB



Radio PCB



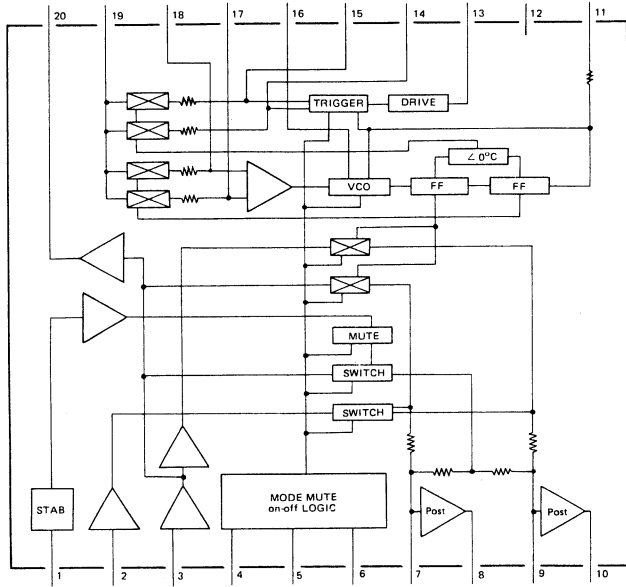
Symbol No.	Stock No. RX-101	Stock No. RX-102	Description
<b>(Switch)</b>			
SW701	40T51963F01	40T51963F01	Slide SW343-1
<b>(Coil)</b>			
L701	24T53326F01	24T53326F01	AM OSC
L702	24T51125F01	24T51125F01	ANT. AM
L703	24T51126F01	24T51126F01	IF, 450KHz
L704	24T53327F01	24T53327F01	IF, LA1100
L705	24T51128F01	24T51128F91	FM DET
L706	91T51083F01	91T51083F01	Anti Birdy
L707a,b	91T53325F01	91T53325F01	LA1196
L708	24T53408F01	24T53408F01	Balun,LA1052 (AK)
<b>(Frontend)</b>			
FE701	77T51132F01	77T51132F01	FD216U11X
<b>(Filter,Ceramic)</b>			
CF701	91T51130F01	91T51130F01	SFE10.7MN
CF702	91T51131F01	91T51131F01	SFE10.7ML (U)
	91T51130F01	91T51130F01	SFE10.7MM (AK)
CF703	91T51131F01	91T51131F01	SFE10.7ML (AK)
<b>(Trimmer)</b>			
CT701	20T47503F02	20T47503F02	TZ03 (Red)
CT702	20T47503F02	20T47503F02	TZ03 (Red)
<b>(Variable Resistor)</b>			
VR701	18C42061J14	18C42061J14	10K
VR702	18C42061J14	18C42061J14	10K
VR703	18C42061J14	18C42061J14	10K
VR704	18C41732G06	18C41732G06	10K-8
VR705	18C42061J15	18C42061J15	50K
<b>(IC)</b>			
IC701	51T51095F01	51T51095F01	LA1235
IC702	51T53323F01	51T53323F01	LA1245
IC703	51T51695F01	51T51695F01	TC4016BP
IC704	51T53322F01	51T53322F01	LA3390M
IC705	51T53320F01	51T53320F01	L78M12
<b>(Terminal ,ANT)</b>			
	09T51122F01	09T51122F01	Terminal ,ANT
<b>(Transistor)</b>			
Q701	48S40732P02	48S40732P02	2SC1674L
Q702	48T51091F01	48T51091F01	2SC2021R,S
Q703	48S40732P02	48S40732P02	2SC1674L
Q704	48S40732P02	48S40732P02	2SC1674L
Q705	48T51091F01	48T51091F01	2SC2021R,S
Q706	48T51091F01	48T51091F01	2SC2021R,S
Q707	48T51091F01	48S51091F01	2SC2021R,S
Q708	48T51091F01	48S51091F01	2SC2021R,S
Q709	48T55181F01	48T55181F01	2SC1815
Q710	48T55181F01	48T55181F01	2SC1815
Q711	48T51091F01	48T51091F01	2SC2021R,S
Q712	48T51091F01	48T51091F01	2SC2021R,S
Q713	48T55181F01	48T55181F01	2SC1815
Q714	48T55181F01	48T55181F01	2SC1815
Q715	48T51091F01	48T51091F01	2SC2021R,S
Q716	48T51089F01	48T51089F01	2SA937Q,R
Q717	48T55181F01	48T55181F01	2SC1815
Q718	48T51089F01	48T51089F01	2SA937Q,R
Q719	48T55181F01	48T55181F01	2SC1815
Q720	48T55181F01	48T55181F01	2SC1815
Q721	48T51091F01	48T51091F01	2SC2021R,S
Q722	48T55349F01	48T55349F01	2SA1015
Q723	48T51089F01	48T51089F01	2SA937Q,R
Q724	48T51091F01	48T51091F01	2SC2021R,S
Q725	48S40732P02	48S40732P02	2SC1674L (AK)
<b>(Diode)</b>			
D701	48B41768G01	48B41768G01	1N60
D702	48B41768G01	48B41768G01	1N60
D703	48B41768G01	48B41768G01	1N60
D704	48T51087F01	48T51087F01	KB-265C4,Varistor
D706	48T52826F01	48T52826F01	SVC321SP Varactor
D707	48T52826F01	48T52826F01	Varactor AVC321SP
D708	48T51582F01	48T51582F01	MA-150
D709	48T51582F01	48T51582F01	MA-150
D710	48T51582F01	48T51582F01	MA-150
D711	48T51582F01	48T51582F01	MA-150
D712	48B41768G01	48B41768G01	1N60
D713	48B41768G01	48B41768G01	1N60
D714	48T51582F01	48T51582F01	MA-150
D715	48T51582F01	48T51582F01	MA-150
D716	48T51582F01	48T51582F01	MA-150
D717	48T51582F01	48T51582F01	MA-150

Symbol No.	Stock No. RX-101	Stock No. RX-102	Description
D718	48T51582F01	48T51582F01	MA-150
D719	48T51582F01	48T51582F01	MA-150
D720	48T51582F01	48T51582F01	MA-150
D721	48T51582F01	48T51582F01	MA-150
D722	48T51582F01	48T51582F01	MA-150
<b>(Capacitor)</b>			
C701	08S44505P63	08S44505P63	22000pF Ce
C702	08S44505P63	08S44505P63	22000pF Ce
C703	23T51235F38	23T51235F38	47uF 16V E1
C704	08S44505P61	08S44505P61	10000pF Ce
C705	23T51235F16	23T51235F16	10uF 16V E1
C706	23T51235F16	23T51235F16	10uF 16V E1
C707	23T51235F03	23T51235F03	1uF 50V E1
C708	23T51235F01	23T51235F01	0.47uF 50V E1
C709	08S44505P49	08S44505P49	1000pF Ce
C710	08S44505P49	08S44505P49	1000pF Ce
C711	08S44505P61	08S44505P61	10000pF Ce
C712	08S44505P63	08S44505P63	22000pF Ce
C713	08S44505P63	08S44505P63	22000pF Ce
C714			40000pF Ce
C715	08S44505P63	08S44505P63	22000pF Ce
C716	08S44505P63	08S44505P63	22000pF Ce
C717	08S44505P63	08S44505P63	22000pF Ce
C718	23T51235F16	23T51235F16	10uF 16V E1
C719	08S44505P41	08S44505P41	220pF Ce
C720	23T51235F05	23T51235F05	2.2uF 50V E1
C721	23T51235F01	23T51235F01	0.47uF 50V E1
C722	08S44505P63	08S44505P63	22000pF Ce
C723	23T51235F16	23T51235F16	10uF 16V E1
C724	08S44505P63	08S44505P63	22000pF Ce
C725	23T51235F44	23T51235F44	100uF 16V E1
C726	23T51235F13	23T51235F13	4.7uF 50V E1
C727	23T51235F01	23T51235F01	0.47uF 50V E1
C728	08S44505P63	08S44505P63	22000uF Ce
C729	23T51235F44	23T51235F44	100uF 16V E1
C730	08S44505P49	08S44505P49	1000pF Ce
C731	08S44505P63	08S44505P63	22000pF Ce
C732	23T51235F13	23T51235F13	4.7uF 50V E1
C733	23T51235F08	23T51235F08	3.3uF 50V E1
C734	08S44505P61	08S44505P61	10000pF Ce
C735	08S44505P49	08S44505P49	1000pF Ce
C736	08S44505P63	08S44505P63	22000pF Ce
C737	08S44505P63	08S44505P63	22000pF Ce
C738	08S44505P63	08S44505P63	22000pF Ce
C739	08T42081U13	08T42081U13	330pF Pp
C740	21C41701J52	21C41701J52	10pF Ce
C741	08S44505P61	08S44505P61	10000pF Ce
C742	21C41701J52	21C41701J52	10pF Ce
C743	08S44505P61	08S44505P61	10000pF Ce
C744	08S44505P63	08S44505P63	22000pF Ce
C745	08S44505P63	08S44505P63	22000pF Ce
C746	08S44505P63	08S44505P63	22000pF Ce
C747	08S44505P63	08S44505P63	22000pF Ce
C748	08S44505P63	08S44505P63	22000pF Ce
C749	08S44505P63	08S44505P63	22000pF Ce
C750	Non Use	Non Use	
C751	23T51235F44	23T51235F44	100uF 16V E1
C752	08S44505P63	08S44505P63	22000pF Ce
C753	23T51234F53	23T51234F53	220uF 16V E1
C754	23T51235F44	23T51235F44	100uF 16V E1
C755	08S44505P63	08S44505P63	22000pF Ce
C756	23T51235F05	23T51235F05	2.2uF 50V E1
C757	23T51235F05	23T51235F05	2.2uF 50V E1
C758	23T51235F16	23T51235F16	10uF 16V E1
C759	23T51235F08	23T51235F08	3.3uF 50V E1
C760	08T42081U15	08T42081U15	390pF Pp
C761	08T42081U15	08T42081U15	390pF Pp
C762	08S44505P49	08S44505P49	1000pF Ce
C763	08S44505P63	08S44505P63	22000pF Ce
C764	08S44505P63	08S44505P63	22000pF Ce
C765	23T51235F01	23T51235F01	0.47uF 50V E1
C766	23T51235F16	23T51235F16	10uF 16V E1
C767	23T51235F08	23T51235F08	3.3uF 50V E1
C768	23T51235F38	23T51235F38	47uF 16V E1
C769	23T51235F24	23T51235F24	22uF 16V E1
C770	23T51235F13	23T51235F13	4.7uF 50V E1
	23T51235F01	23T51235F01	0.47uF 50V E1
	Non Use	Non Use	

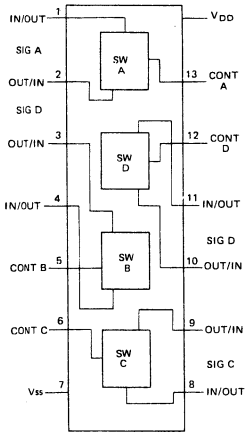
Symbol No.	Stock No. RX-101	Stock No. RX-102	Description			
C773	08S41442F21	08S41442F01	0.047uF		My	
C774	23T51235F05	23T51235F05	2.2uF	50V	E1	
C775	23T51235F08	23T51235F08	3.3uF	50V	E1	
C776	23T51235F03	23T51235F03	1uF	50V	E1	
C777	08T42081U25	08T42081U25	1000pF		Pp	
C790	23T51235F16	23T51235F16	10uF	16V	E1	
C791	08T42081U19	08T42081U19	560pF		Pp	
C792	08T42081U19	08T42081U19	560pF		Pp	
C793	08S44505P61	08S44505P61	10000pF		Ce	
C794	08T44505P61	08T44505P61	10000pF		Ce	
C795	Non Use	Non Use				
C796a,b	23T51235F05	23T51235F05	2.2uF	50V	E1	
C797	23T51235F05	23T51235F05	2.2uF	50V	E1	
C798	08S44505P63	08S44505P63	22000pF		Ce	
C799	23T51235F16	23T51235F16	10uF	16V	E1	
C800	08S41442F21	08S41442F21	0.047uF		My	
C801	08S44505P63	08S44505P63	22000pF		Ce	
C802	08S44505P49	08S44505P49	1000pF		Ce	
C803	08S44505P41	08S44505P41	220pF		Ce	
C804	08T42081U07	08T42081U07	180pF		Po(AK)	
C805	08T42081U07	08T42081U07	180pF		Po(AK)	
C806	08S44505P63	08S44505P63	22000pF		Ce(AK)	
C807	08S44505P63	08S44505P63	22000pF		Ce(AK)	
C808			AM ANT Surge Absorber			
<b>(Resistor)</b>						
R701	06S44593P57	06S44593P57	470		1/4W Rd	
R702	06S44593P81	06S44593P81	4.7K		1/4W Rd	
R703	06S44593P41	06S44593P41	100		1/4W Rd	
R704	06S44593P57	06S44593P57	470		1/4W Rd	
R705	06S44593P41	06S44593P41	100		1/4W Rd	
R706	06S44593P97	06S44593P97	22K		1/4W Rd	
R707	06S44594P02	06S44594P02	33K		1/4W Rd	
R708	06S44594P02	06S44594P02	33K		1/4W Rd	
R709	06S44594P12	06S44594P12	82K		1/4W Rd	
R710	06S44594P06	06S44594P06	47K		1/4W Rd	
R711	06S44593P77	06S44593P77	3.3K		1/4W Rd	
R712	06S44594P30	06S44594P30	470K		1/4W Rd	
R713	06S44593P75	06S44593P75	2.7K		1/4W Rd	
R714	06S44594P14	06S44594P14	100K		1/4W Rd	
R715	06S44594P26	06S44594P26	330K		1/4W Rd	
R716	06S44593P77	06S44593P77	3.3K		1/4W Rd	
R717	06S44593P57	06S44593P57	470		1/4W Rd	
R718	06S44593P57	06S44593P57	470		1/4W Rd	
R719	06S44593P75	06S44593P75	2.7K		1/4W Rd	
R720	06S44593P41	06S44593P41	100		1/4W Rd	
R721	06S44593P57	06S44593P57	470		1/4W Rd	
R722	06S44593P53	06S44593P53	330		1/4W Rd	
R723	06S44593P41	06S44593P41	100		1/4W Rd	
R724	06S44593P57	06S44593P57	470		1/4W Rd	
R725	06S44594P12	06S44594P12	82K		1/4W Rd	
R726	06S44593P97	06S44593P97	22K		1/4W Rd	
R727	06S44594P10	06S44594P10	68K		1/4W Rd	
R728	06S44593P97	06S44593P97	22K		1/4W Rd	
R729	06S44594P02	06S44594P02	33K		1/4W Rd	
R730	06S44593P97	06S44593P97	22K		1/4W Rd	
R731	06S44593P45	06S44593P45	150		1/4W Rd	
R732	06S44593P89	06S44593P89	10K		1/4W Rd	
R733	06S44593P89	06S44593P89	10K		1/4W Rd	
R734	06S44593P75	06S44593P75	2.7K		1/4W Rd	
R735	06S44593P99	06S44593P99	27K		1/4W Rd	
R736	06S44593P93	06S44593P93	15K		1/4W Rd	
R737	06S44593P65	06S44593P65	1K		1/4W Rd	
R738	06S44593P69	06S44593P69	1.5K		1/4W Rd	
R739	06S44593P89	06S44593P89	10K		1/4W Rd	
R740	06S44594P14	06S44594P14	100K		1/4W Rd	
R741	06S44594P14	06S44594P14	100K		1/4W Rd	
R742	06S44593P41	06S44593P41	100		1/4W Rd	
R743	06S44593P65	06S44593P65	1K		1/4W Rd	
R744	06S44593P89	06S44593P89	10K		1/4W Rd	
R745	06S44593P41	06S44593P41	100		1/4W Rd	
R746	06S44593P57	06S44593P57	470		1/4W Rd	
R747	06S44594P06	06S44594P06	47K		1/4W Rd	
R748	06S44594P06	06S44594P06	47K		1/4W Rd	
R749	06S44594P06	06S44594P06	47K		1/4W Rd	
R750	06S44593P83	06S44593P83	5.6K		1/4W Rd	
R751	06S44593P73	06S44593P73	2.2K		1/4W Rd	
R752	06S44593P95	06S44593P95	18K		1/4W Rd	
R753	06S44593P49	06S44593P49	220		1/4W Rd	

Symbol No.	Stock No. RX-101	Stock No. RX-102	Description			
R754	06S44593P73	06S44593P73	2.2K		1/4W Rd	
R755	06S44593P89	06S44593P89	10K		1/4W Rd	
R756	06S44593P89	06S44593P89	10K		1/4W Rd	
R757	06S44593P33	06S44593P33	47		1/4W Rd	
R758	06S44593P89	06S44593P89	10K		1/4W Rd	
R759	06S44593P89	06S44593P89	10K		1/4W Rd	
R760	06S44593P77	06S44593P77	3.3K		1/4W Rd	
R761	06S44593P65	06S44593P65	1K		1/4W Rd	
R762	06S44593P97	06S44593P97	22K		1/4W Rd	
R763	06S44593P97	06S44593P97	22K		1/4W Rd	
R764	06S44593P49	06S44593P49	220		1/4W Rd	
R765	06S44593P81	06S44593P81	4.7K		1/4W Rd	
R766	06S44593P89	06S44593P89	10K		1/4W Rd	
R767	06S44593P89	06S44593P89	10K		1/4W Rd	
R768	06S44594P18	06S44594P18	150K		1/4W Rd	
R769	06S44593P89	06S44593P89	10K		1/4W Rd	
R770	06S44593P89	06S44593P89	10K		1/4W Rd	
R771	06S44593P81	06S44593P81	4.7K		1/4W Rd	
R772	06S44593P97	06S44593P97	22K		1/4W Rd	
R773	06S44593P97	06S44593P97	22K		1/4W Rd	
R774	06S44593P65	06S44593P65	1K		1/4W Rd	
R775	06S44593P73	06S44593P73	2.2K		1/4W Rd	
R776	06S44593P71	06S44593P71	1.8K		1/4W Rd	
R777	06S44593P65	06S44593P65	1K		1/4W Rd	
R778	06S44593P87	06S44593P87	8.2K		1/4W Rd	
R779	06S44593P77	06S44593P77	3.3K		1/4W Rd	
R780	06S44593P49	06S44593P49	220		1/4W Rd	
R781	06S44593P73	06S44593P73	2.2K		1/4W Rd	
R782	06S44594P14	06S44594P14	100K		1/4W Rd	
R783	06S44593P89	06S44593P89	10K		1/4W Rd	
R784	06S44593P81	06S44593P81	4.7K		1/4W Rd	
R785	06S44593P33	06S44593P33	47		1/4W Rd	
R786	06S44593P65	06S44593P65	1K		1/4W Rd	
R787	06S44593P89	06S44593P89	10K		1/4W Rd	
R788	06S44594P14	06S44594P14	100K		1/4W Rd	
R789	Non Use	Non Use				
R790	06S44593P65	06S44593P65	1K		1/4W Rd	
R791	06S44593P91	06S44593P91	12K		1/4W Rd	
R792	06S44594P22	06S44594P22	220K		1/4W Rd	
R793	06S44594P14	06S44594P14	100K		1/4W Rd	
R794	06S44593P89	06S44593P89	10K		1/4W Rd	
R795	06S44593P89	06S44593P89	10K		1/4W Rd	
R796	06S44594P06	06S44594P06	47K		1/4W Rd	
R797	06S44594P16	06S44594P16	120K		1/4W Rd	
R798	06S44594P16	06S44594P16	120K		1/4W Rd	
R799	06S44593P17	06S44593P17	10		1/4W Rd	
R800	06S44593P17	06S44593P17	10		1/4W Rd	
R801	06S44593P65	06S44593P65	1K		1/4W Rd	
R802	06S44593P65	06S44593P65	1K		1/4W Rd	
R803a,b	06S44593P73	06S44593P73	2.2K		1/4W Rd	
R804	Non Use	Non Use				
R805a,b	06S44593P77	06S44593P77	3.3K		1/4W Rd	
R806a,b	06S44593P41	06S44593P41	100		1/4W Rd	
R807	06S44594P06	06S44594P06	47K		1/4W Rd	
R808	06S44594P06	06S44594P06	47K		1/4W Rd	
R809	06S44593P67	06S44593P67	1.2K		1/4W Rd	
R810	06S44593P89	06S44593P89	10K		1/4W Rd	
R811	06S44594P06	06S44594P06	47K		1/4W Rd	
R812	06S44593P89	06S44593P89	10K		1/4W Rd	
R813	06S44593P81	06S44593P81	4.7K		1/4W Rd	
R814	06S44593P89	06S44593P89	10K		1/4W Rd	
R815	06S44593P97	06S44593P97	22K		1/4W Rd	
R816	06S44593P97	06S44593P97	22K		1/4W Rd	
R817	06S44593P97	06S44593P97	22K		1/4W Rd	
R818	06S44594P06	06S44594P06	47K		1/4W Rd	
R819	06S44594P06	06S44594P06	47K		1/4W Rd	
R820	06S44593P89	06S44593P89	10K		1/4W Rd	
R821	06S44593P41	06S44593P41	100		1/4W Rd	
R822	06S44593P53	06S44593P53	330		1/4W Rd	
R823	06S44594P06	06S44594P06	47K		1/4W Rd	
R824	06S44594P06	06S44594P06	47K		1/4W Rd	
R825	06S44593P57	06S44593P57	470		1/4W Rd(AK)	
R826	06S44593P75	06S44593P75	2.7K		1/4W Rd(AK)	
R827	06S44593P17	06S44593P17	10		1/4W Rd(AK)	
R828	06S44593P57	06S44593P57	470		1/4W Rd(AK)	
R829	06S44593P53	06S44593P53	330		1/4W Rd(AK)	
R830	06S44593P41	06S44593P41	100		1/4W Rd(AK)	

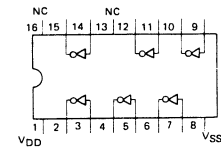
**LA3390M MONOLITHIC LINEAR IC**



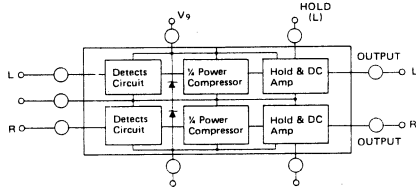
**TC4016BP QUARD BILATERAL SWITCH**



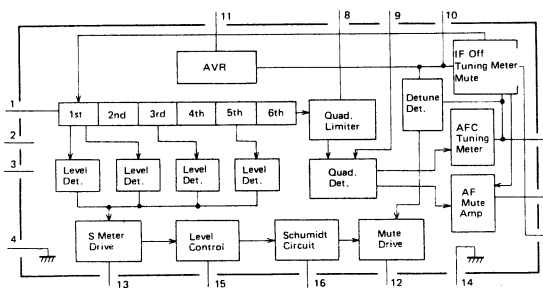
**TC4049BP HEX BUFFER/CONVERTER**



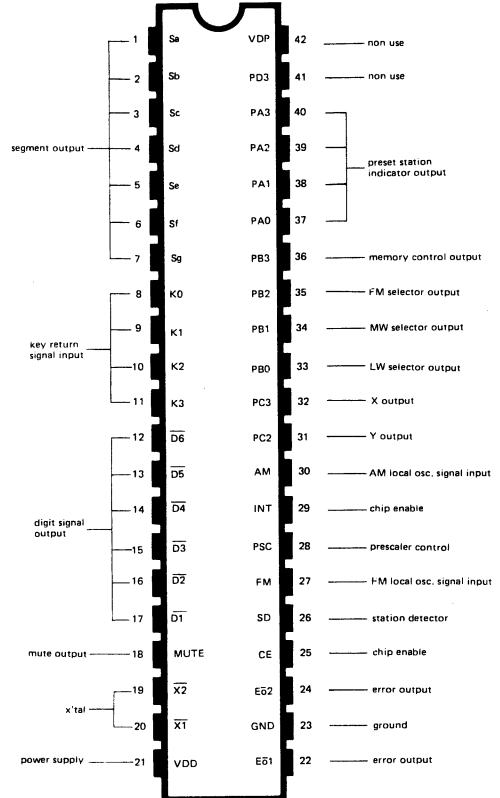
**TA7318P PEAK POWER METER DRIVER**



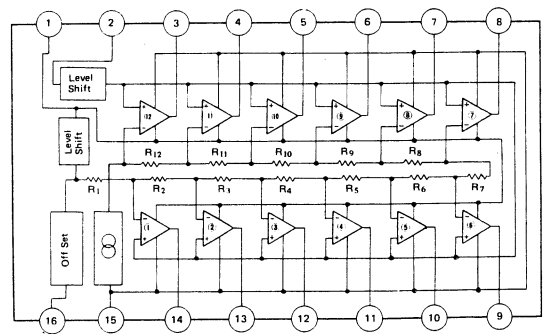
**LA-1235 MONOLITHIC LINEAR IC**



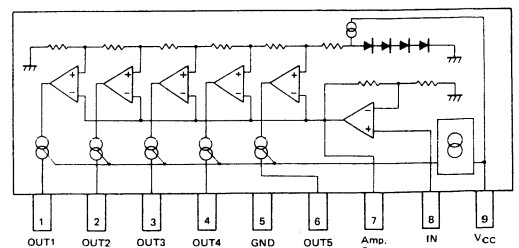
**μPC1704**

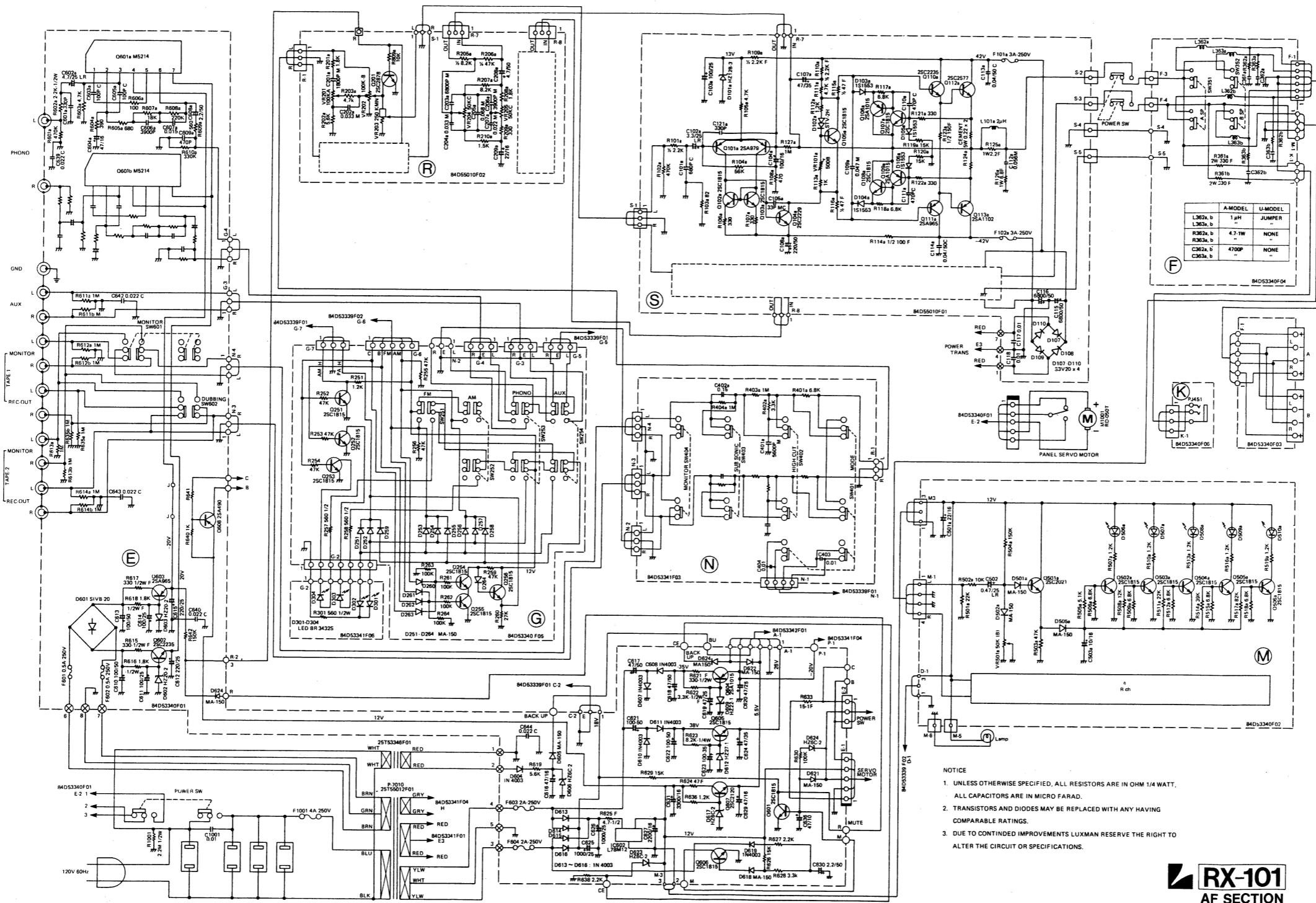


**HA-12010 FLUORESCENT TUBE DRIVER FOR BAR GRAPH DISPLAY**



**BA-6125**

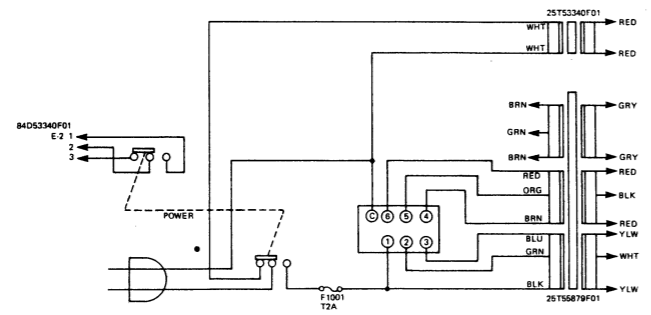




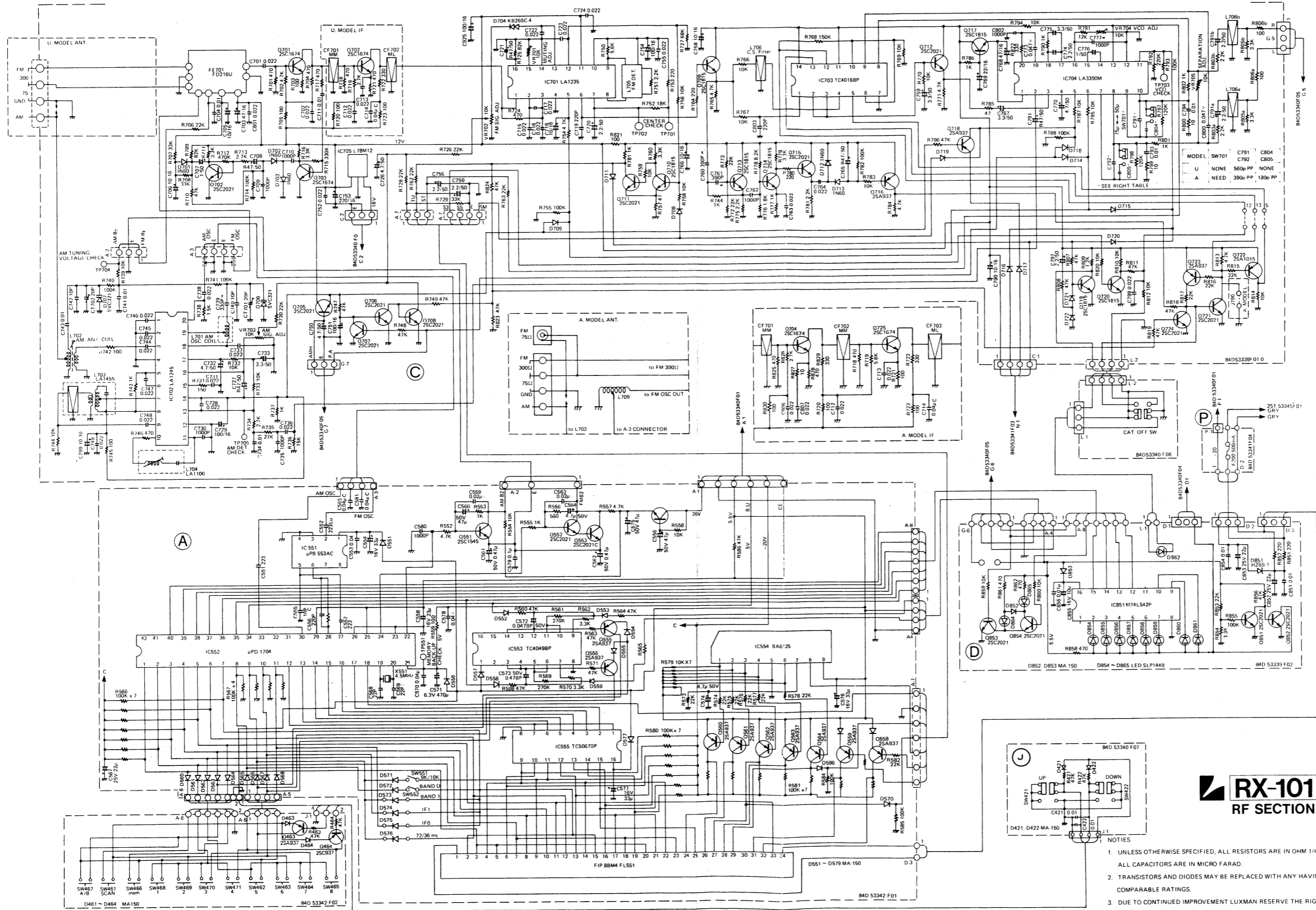
	A-MODEL	U-MODEL
L302a, b	1.1M	JUMPER
R302a, b	4.7-1W	NONE
C302a, b	4700P	NONE

- NOTICE
1. UNLESS OTHERWISE SPECIFIED, ALL RESISTORS ARE IN OHM 1/4 WATT.
  2. ALL CAPACITORS ARE IN MICRO FARAD.
  3. TRANSISTORS AND DIODES MAY BE REPLACED WITH ANY HAVING COMPARABLE RATINGS.
  4. DUE TO CONTINUED IMPROVEMENTS LUXMAN RESERVE THE RIGHT TO ALTER THE CIRCUIT OR SPECIFICATIONS.

**RX-101**  
AF SECTION

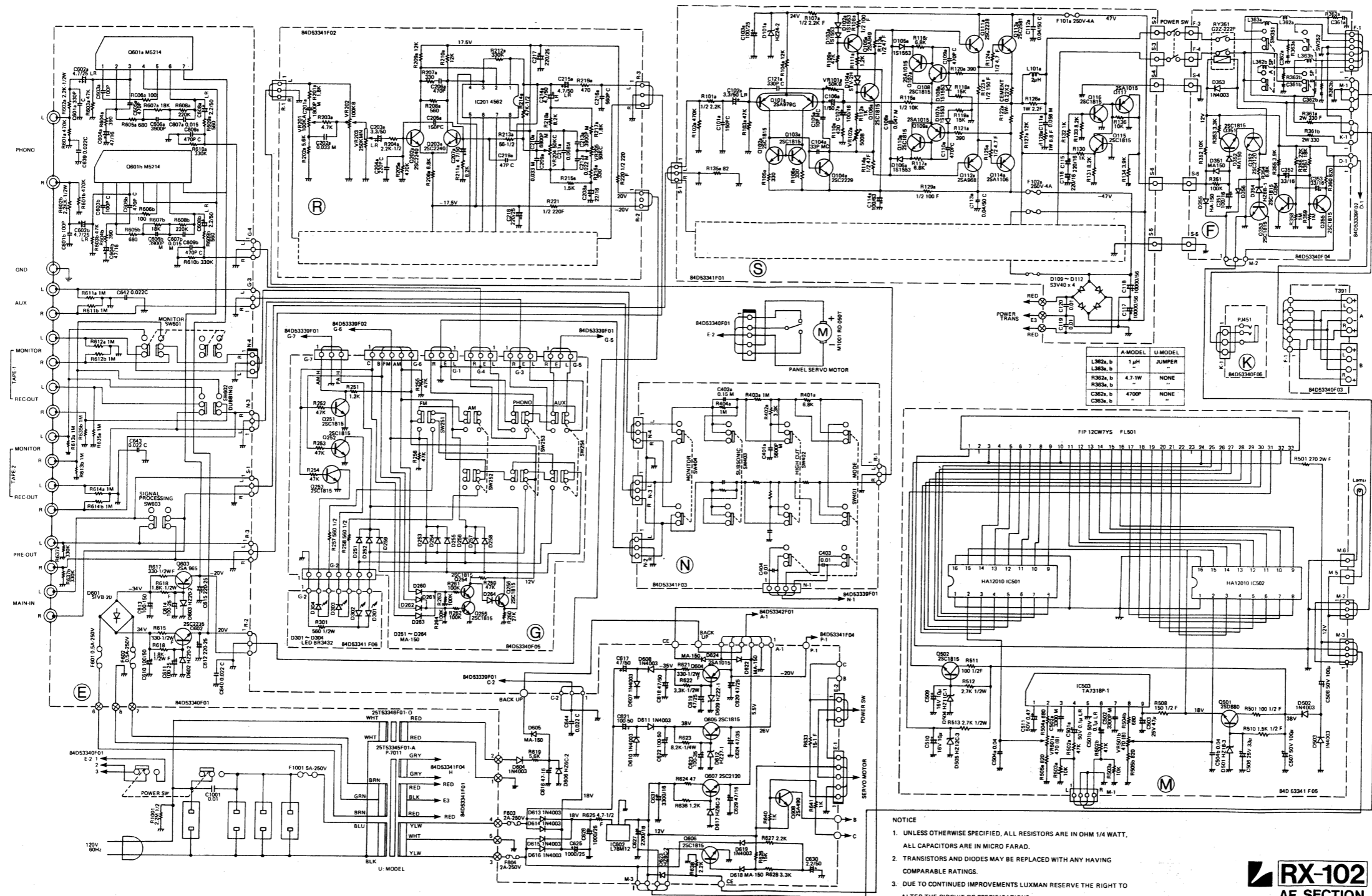


PCB	SYMBOL	MAINS		
		AC 120V	AC 220-240V	AC 120V
POWER SUPPLY	F601, F602	0.5A	T315mA	T315mA
84D53340F01	F603, F604	2A	T1.25A	T1.25A
FL FUSE	F200	0.5A	T315mA	T315mA
MAIN AMP	F101a, F101b	4A	T2A	T2A
84D55010F01	F102a, F102b	4A	T2A	T2A
MAINS	F1001	4A	T2A	T3.15A



**RX-101**  
RF SECTION



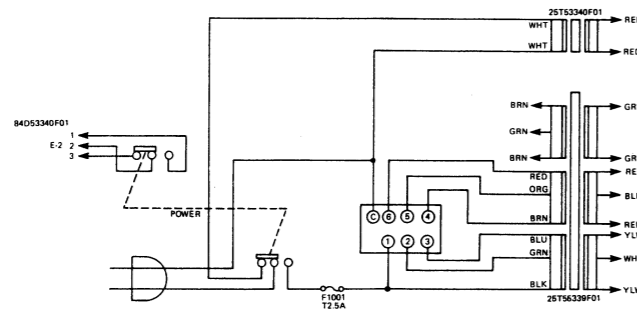


	A MODEL	U MODEL
L362a, b	1.5M	JUMPER
L363a, b	4.7-1W	NONE
C363a, b	4700P	NONE
C363b, d	-	-

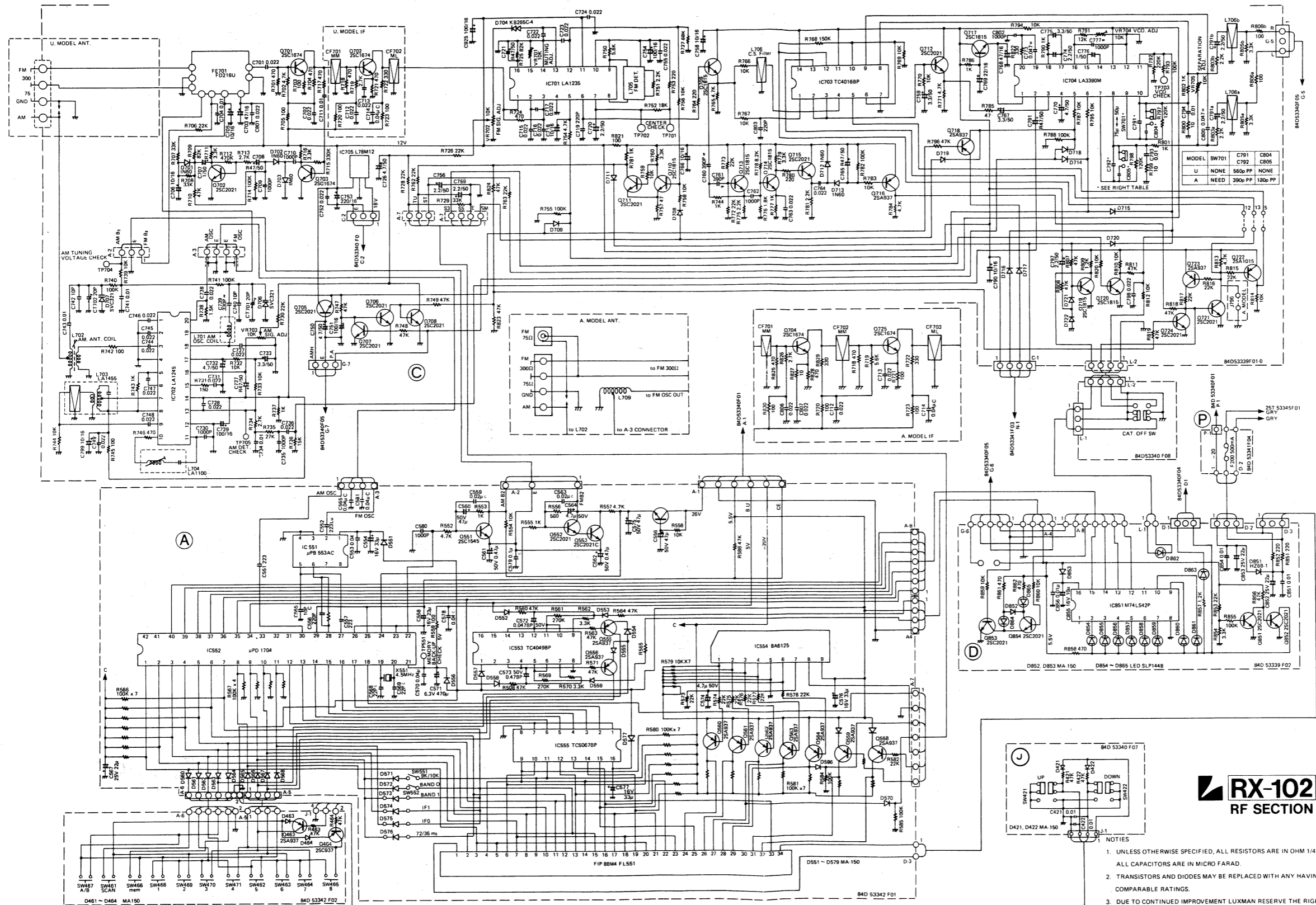
**NOTICE**

- UNLESS OTHERWISE SPECIFIED, ALL RESISTORS ARE IN OHM 1/4 WATT, ALL CAPACITORS ARE IN MICRO FARAD.
- TRANSISTORS AND DIODES MAY BE REPLACED WITH ANY HAVING COMPARABLE RATINGS.
- DUE TO CONTINUED IMPROVEMENTS LUXMAN RESERVE THE RIGHT TO ALTER THE CIRCUIT OR SPECIFICATIONS.

**RX-102**  
AF SECTION



PCB.	SYMBOL	MAINS		
		AC 120V	AC 220-240V	AC 120V
POWER SUPPLY	F601, F602	0.5A	T315mA	T315mA
84D53340F01	F603, F604	2A	T1.25A	T1.25A
FL FUSE	F200	0.5A	T315mA	T315mA
MAIN-AMP	F101a, F101b	5A	T2.5A	T2.5A
84D53341F01	F102a, F102b	5A	T2.5A	T2.5A
MAINS	F1001	5A	T2.5A	T4A



**RX-102**  
RF SECTION

- NOTES
1. UNLESS OTHERWISE SPECIFIED, ALL RESISTORS ARE IN OHM 1/4 WATT, ALL CAPACITORS ARE IN MICRO FARAD.
  2. TRANSISTORS AND DIODES MAY BE REPLACED WITH ANY HAVING COMPARABLE RATINGS.
  3. DUE TO CONTINUED IMPROVEMENT LUXMAN RESERVE THE RIGHT TO ALTER THE CIRCUIT OR SPECIFICATIONS.
  4. CAPACITORS WITHOUT MARK STAND FOR RUTIL ONES, THOSE MARKED WITH M MYLAR, PP POLYSTYLEN, C CERAMIC.

# Specifications

	[RX-101]	[RX-102]
<b>[Audio Section]</b>		
Power Output: (FTC rules, 20Hz-20KHz, 8 ohms)	40W	60W
Distortion:	no more than 0.025%	no more than 0.018%
Input Sensitivity:	2.5mV (phono) 150mV (aux,monitor) 950mV (main)	2.5mV (phono) 150mV (aux,monitor) 950mV (main)
Input Impedance:	47K ohms (phono) 30K ohms (aux,monitor) 47K ohms (main)	47K ohms (phono) 30K ohms (aux,monitor) 47K ohms (main)
Phono Overload Voltage:	200mV	200mV
S/N Ratio:	79dB (phono, IHF-A weighted, 5mV) 100dB (aux, monitor, IHF-A weighted)	80dB (phono, IHF-A weighted, 5mV) 102dB (aux, monitor, IHF-A weighted)
Residual Noise:	0.5mV	0.5mV
Tone Control:	Bass: +7dB -10dB at 100Hz Treble: +6dB -10dB at 10KHz	Bass: +7dB -10dB at 100Hz Treble: +6dB -10dB at 10KHz
Filters:	Subsonic 30Hz (6 dB/oct) High Cut 7KHz (6 dB/oct)	Subsonic 30Hz (6 dB/oct) High Cut 7KHz (6 dB/oct)
Crosstalk:	70dB (aux, monitor at 1KHz)	70dB (aux, monitor at 1KHz)
Loudness Control:	+8dB at 100Hz, +7.5dB at 10KHz (Loudness control; max., volume: -30dB)	+8dB at 100Hz, +7.5dB at 10KHz (Loudness control; max., volume: -30dB)
<b>[FM Section]</b>		
Usable Sensitivity:	mono 10.3 dBf (1.8uV)	mono 10.3 dBf (1.8uV)
50dB Quieting Sensitivity:	mono 14.8 dBf (3.0uV) (50 u sec)	mono 14.8 dBf (3.0uV) (50 u sec)
S/N Ratio at 65dBf:	78dB	78dB
Distortion:	100Hz 1KHz 6KHz 0.1% 0.15% 0.2% mono 0.2% 0.25% 0.3% stereo	100Hz 1KHz 6KHz 0.06% 0.06% 0.15% mono 0.08% 0.08% 0.15% stereo
Capture Ratio at 65dBf:	1.2dB	1.0dB
Image Response Ratio:	70dB	70dB
IF Response Ratio	100dB	100dB
AM Suppression Ratio:	63dB	63dB
Stereo Separation: (1KHz)	48dB	50dB
Spurious Response Ratio:	85dB	85dB
Alternate Channel Selectivity:	60dB	60dB
SCA Rejection Ratio:	60dB	60dB
<b>[AM Section]</b>		
IHF Usable Sensitivity (1MHz):	550uV/m (loop ant.), 15uV (ext. ant.)	550uV/m (loop ant.), 15uV (ext. ant.)
Image Response Ratio at 1MHz:	40dB	40dB
S/N Ratio:	50dB	50dB
Distortion:	0.3%	0.3%
<b>[General]</b>		
Dimensions:	453(W) x 455(D) 147(H) mm (17.8"x17.9"x5.8")	453(W) x 455(D) 147(H) mm (17.8"x17.9"x5.8")
Weight:	Net 13Kg	Net 14Kg
Power Consumption:	120V 2.5A (CSA rated)	120V 2.7A (CSA rated)

Specifications and appearance design subject to change without notice.