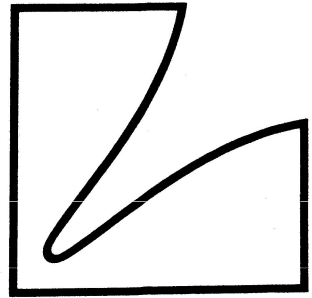
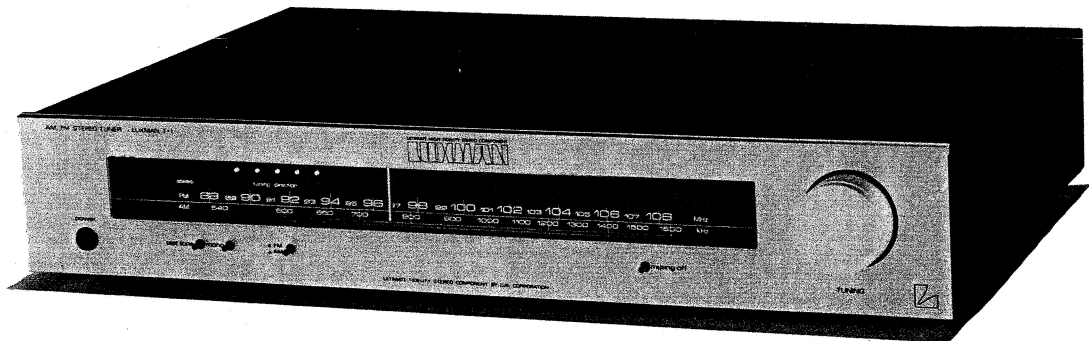


# SERVICE MANUAL

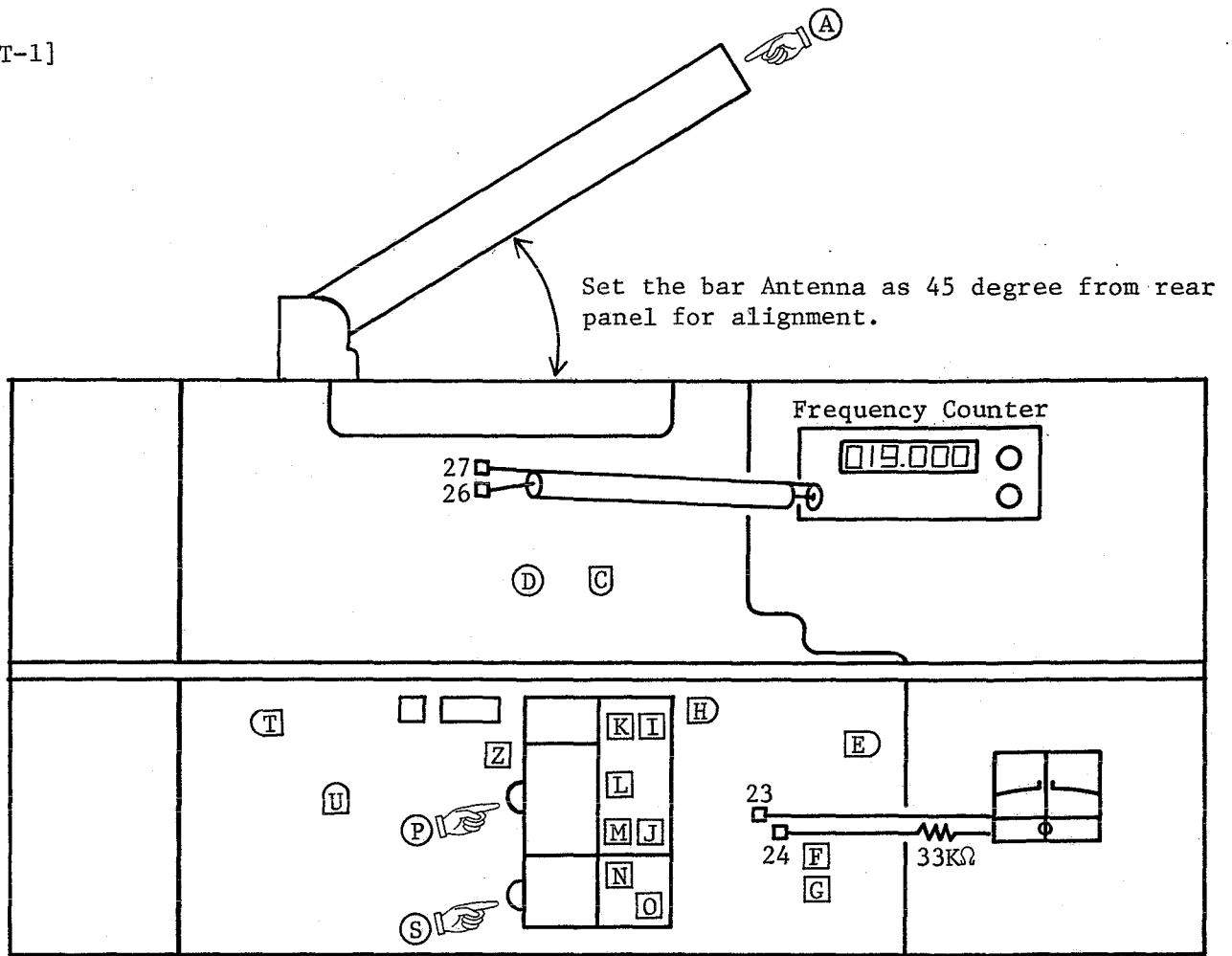


AM/FM  
STEREO TUNER

**T-1**  
(T-1L)

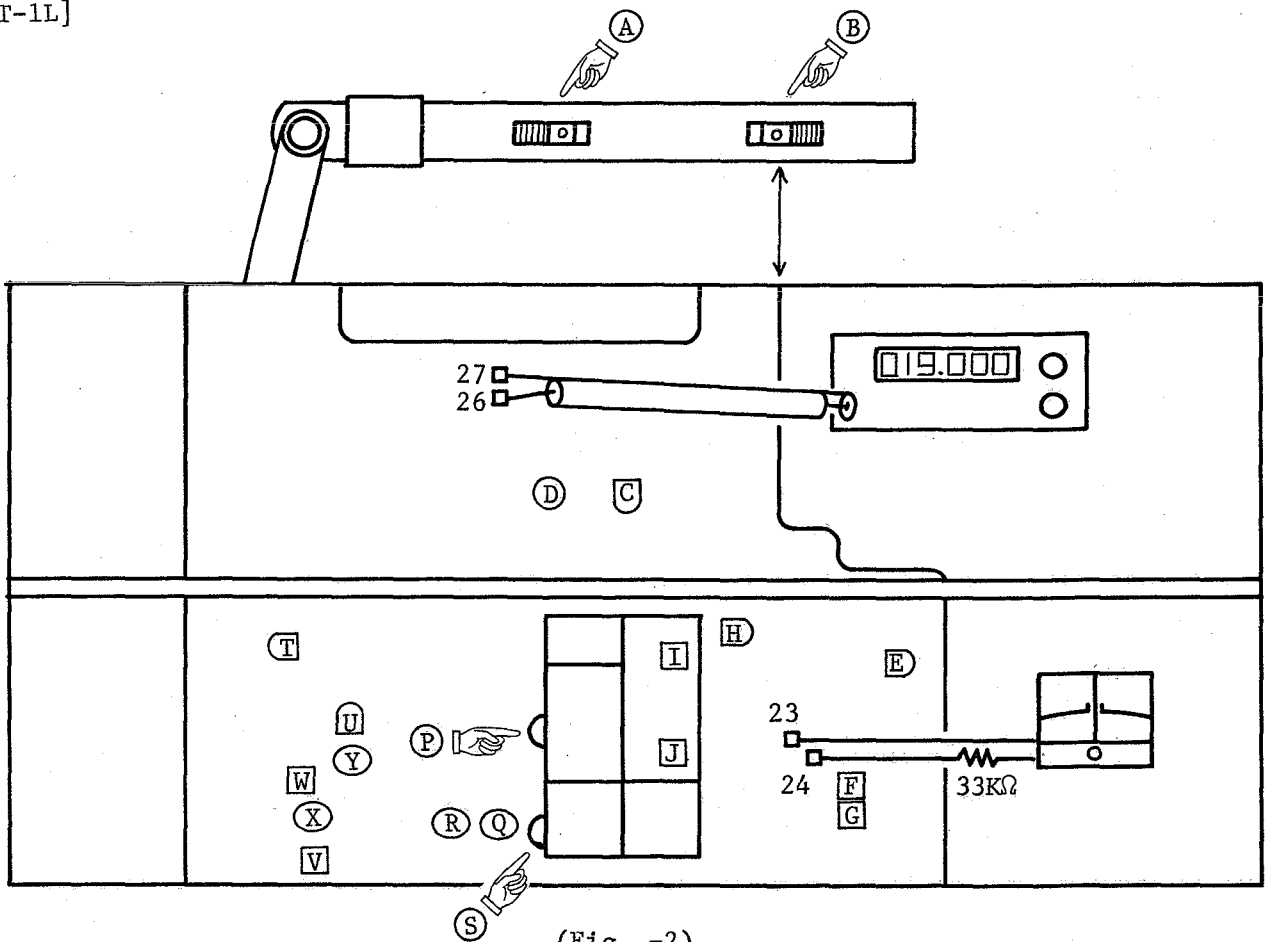


[T-1]



(Fig. - 1)

[T-1L]



(Fig. -2)

## ALIGNMENT PROCEDURES

### [Test Equipment Required]

- 1) Oscilloscope
- 2) AC Volt Meter
- 3) Distortion Analyzer
- 4) FM Signal Generator (hereinafter referred to as FMSG)
- 5) Multiplex Generator
- 6) AM Signal Generator (hereinafter referred to as AMSG)
- 7) Frequency Counter
- 8) Galvanometer (-100uA, hereinafter referred to as GM)

### [Connection Method of Test Equipment]

Oscilloscope	
AC Volt Meter	----- Connect to output terminal.
Distortion Analyzer	
FMSG	----- Connect to antenna terminal through matching network.
AMSG	----- Connect to loop stick antenna.

### [Setup of Tuner]

Power Switch	----- Pushed on Position
Test Tone Switch	----- Pushed back Position
Mono/Stereo Switch	----- Pushed back Position
AM/FM Switch	----- Pushed back Position
Muting Switch	----- Pushed on Position
Tuning Knob	----- Check endmost starting point and tune to 108MHz.
GM (+100uA)	----- Connect Resistor 33k ohms in series to Print Terminals "23" and "24" on PB1322.

## FM SECTION

### [FM Tracking Adjustment]

This adjustment is necessary only in case of frontend change as all units are perfectly aligned before delivery.

#### 1) Setup of FMSG

FMSG	108MHz
Output Level	Minimum
Modulation	+75kHz

- 2) Tune receiving frequency to 108MHz and confirm nothing is received.
- 3) Adjust "F" (T101) to let pointer of GM indicate center.
- 4) Set output level of FM SG at 2uV and tune frequency to 108MHz.
- 5) Adjust "I" of frontend to let pointer of GM indicate center.
- 6) Adjust "P" and "S" to make noise minimum.
- 7) Set FMSG at 89MHz.
- 8) Set receiving frequency of this unit in the vicinity of 89MHz and tune to let pointer of GM indicate center on receiving signal of FMSG.
- 9) In this case confirm that pointer is within plus or minus 2 calibrations on dial scale of GM.
- 10) If pointer would indicate more than plus or minus 2 calibrations, move and

adjust coil "K" of frontend to let it indicate center.

11) Move and adjust coils "M" and "O" to make noise minimum.

12) Repeat steps 1 - 11 to obtain correct tuning on dial scale.

#### [Muting Threshold Level]

1) Setup of FMSG

Frequency	98MHz
Output Level	6uV

2) Adjust "H" (VR101) to let output power disappear at position of muting switch pushed.

#### [T.H. Distortion]

1) Setup of FMSG.

Frequency	98MHz
Output Level	1mV

2) Adjust "G" (T102) to make T.H.D. minimum.

#### [Test Tone Output Level]

1) Setup of FMSG

Frequency	98MHz
Output Level	1mV

2) Record tuner output level.

3) Push tone switch and adjust "T" (VR105) to make output level at -6dB.

#### [MPX]

1) Setup of FMSG

Frequency	98MHz
Output Level	1mV
Modulation	Audio: 65.5kHz (90%) Pilot: 7.5kHz (10%)

2) Make modulation of FMSG off.

Connect Frequency Counter to Pin "26" on PB1322 and "27" (GND) and adjust "D" (VR103) to make frequency 19kHz +0Hz to -10Hz.

3) Disconnect Frequency Counter.

4) Give rated modulation to FMSG.

5) Adjust "C" (VR104) to obtain the maximum balanced separation between right and left channels.

#### AM SECTION

---

#### [AM - MW]

1) Setup of AMSG

Frequency	1400kHz
Output Level	50 - 70dB
Modulation	30% at 400Hz

## 2) Setup of TUNER

AM Bar Antenna            Take out at 45 degrees from Rear Panel  
AM/FM Selector  
                                 Switch            Push

### [AM - MW Tracking]

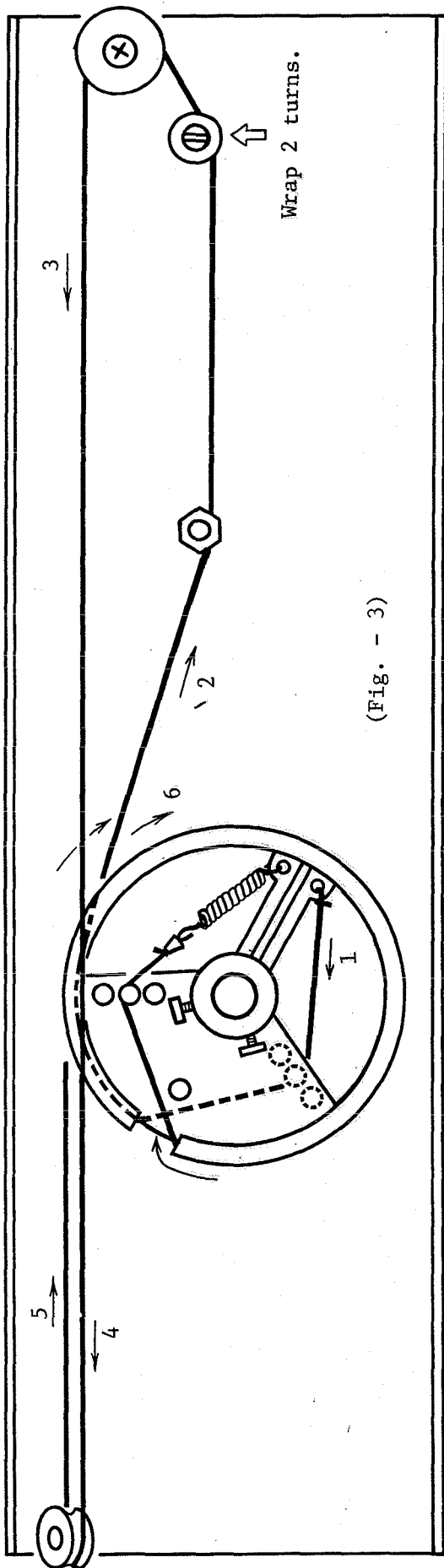
- 1) Set frequency on AMSG and receiving frequency on Tuner both at 1400kHz.
- 2) Adjust "L" and "Z" on Fig. 1 to make noise minimum when Tuner receives signal of SG.
- 3) Set frequency of AMSG at 600kHz.
- 4) Adjust "A" and "N" on Fig. 1 to make noise minimum when Tuner receives signal of SG.
- 5) Repeat above steps 1 - 4 to obtain correct tuning on dial scale.

### [Signal Strength Indication Adjustment]

- 1) Set frequency on AMSG at 1,000kHz and output level at 80dB.
- 2) Adjust "U" (VR106) on Fig. 1 to make 5 pcs. of Signal Strength Indicator LED light.

### [AM - LW Tracking Adjustment --- T-1L only]

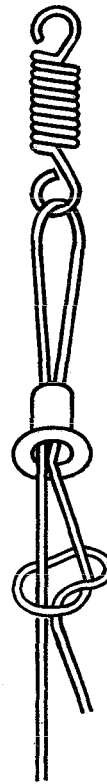
- 1) Set bar antenna of Tuner as per Fig. 2.
- 2) Set frequency of AMSG at 300kHz and modulation at 30%.
- 3) Set receiving frequency of Tuner at 300kHz.
- 4) Adjust "V" (TC503) and "Q" (TC501) to make noise minimum when Tuner receives signal of SG.
- 5) Set frequency of AMSG at 180kHz and receiving frequency of Tuner at 180kHz.
- 6) Adjust "B" and "W" (T501) to make noise minimum when Tuner receives signal of SG.
- 7) Repeat above steps 2 - 6 to obtain correct tuning on dial scale.
- 8) After adjustment, fix coil of bar antenna by adhesive, etc.



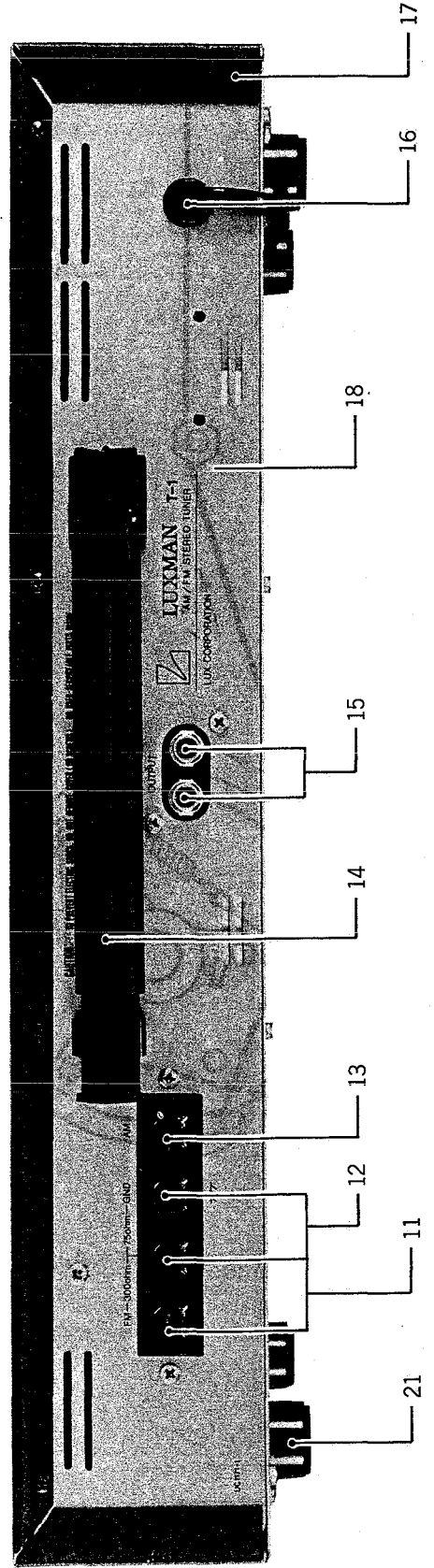
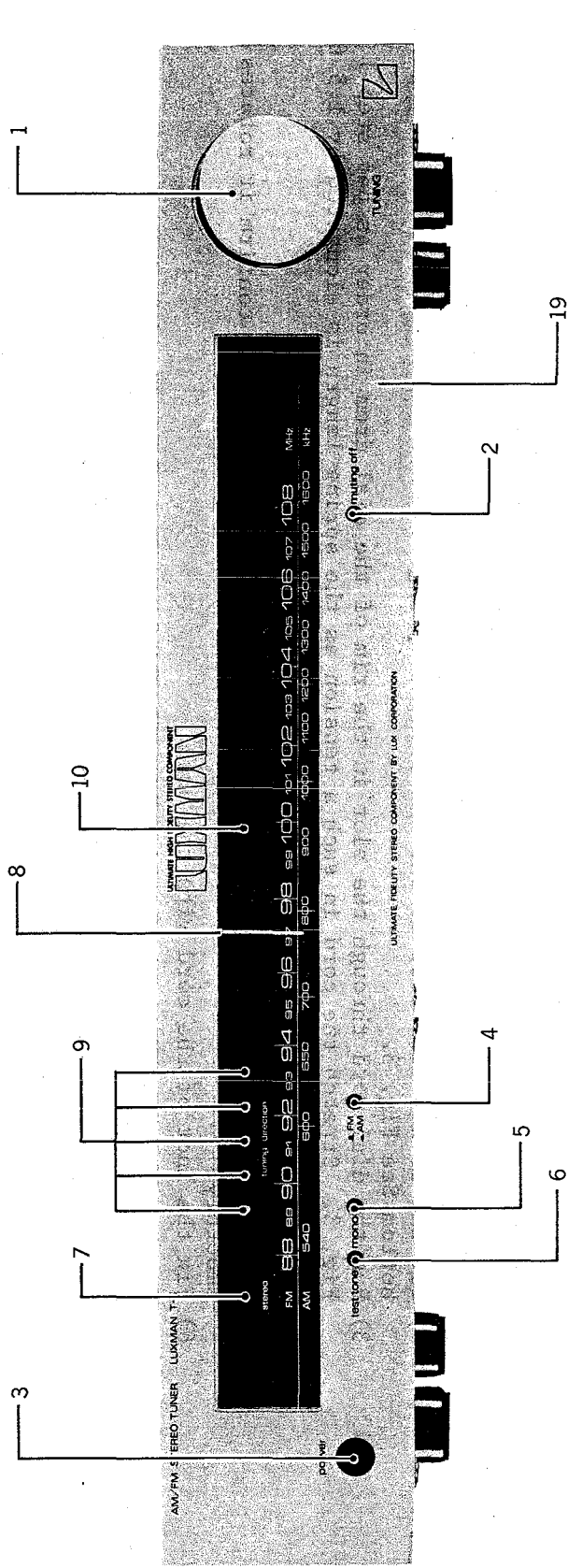
(Fig. - 3)

#### DIAL STRINGING PROCEDURES

- 1) Bring the variable capacitor into a state where the drum is turned to its maximum clockwise.
- 2) Tie end of new dial cord to one end of dial spring. Connect other end of dial spring of bottom See Fig. 3.
- 3) Run the dial cord through the slot in the rim of the dial drum in order as per step 1 - 8 in Fig. 3. Stretch the cord in such a tension as the spring length is elongated by 1.5 times that of the original state.
- 4) Crush eyelet and make knot. Then, cut cord leaving 5mm.
- 5) Turn the dial drum 2 or 3 times clockwise and counter-clockwise to confirm it rotates smoothly.
- 6) Fix the knot of the cord with the bond.



Eyelet                      Dial Spring

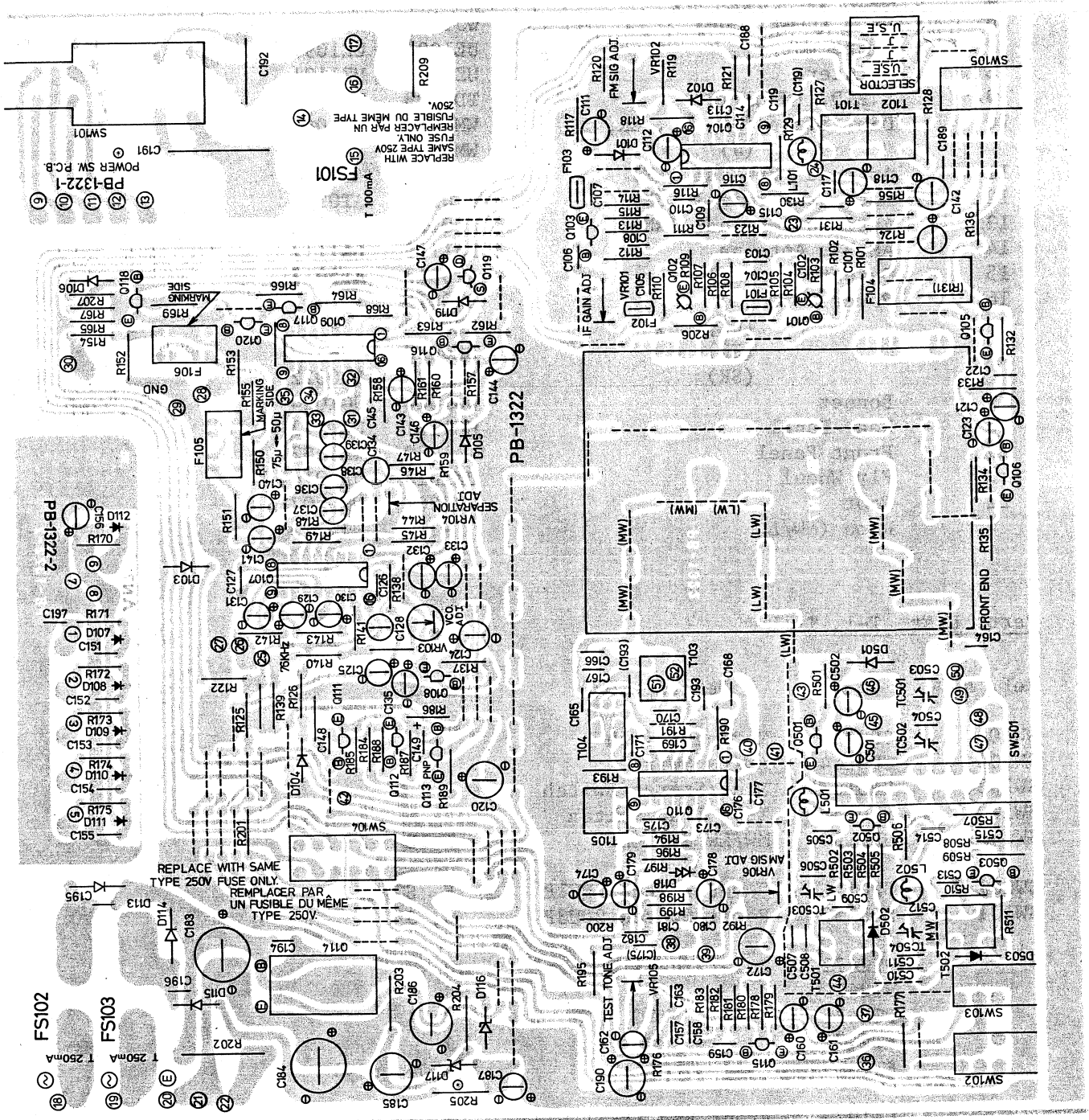


Replacement Parts List

SYMBOL NO.	PARTS NO.	DESCRIPTION AND SPECIFICATION		
C101	CK0155	Capacitor	0.01 $\mu$ F	50WV Ceramic HE70
C102	CK0157	Capacitor	0.04 $\mu$ F	25WV Ceramic C10
C103	CK0157	Capacitor	0.04 $\mu$ F	25WV Ceramic C10
C104	CK0155	Capacitor	0.01 $\mu$ F	50WV Ceramic HE70
C105	CC0038	Capacitor	5pF	50WV Ceramic HE40
C106	CK0155	Capacitor	0.01 $\mu$ F	50WV Ceramic HE70
C107	CK0155	Capacitor	0.01 $\mu$ F	50WV Ceramic HE70
C108	CK0157	Capacitor	0.04 $\mu$ F	25WV Ceramic C10
C109	CK0157	Capacitor	0.04 $\mu$ F	25WV Ceramic C10
C110	CK0157	Capacitor	0.04 $\mu$ F	25WV Ceramic C10
C111	CE0851	Capacitor	2.2 $\mu$ F	50WV U-electrolytic Radial
C112	CE0817	Capacitor	10 $\mu$ F	16WV U-electrolytic Radial
C113	CK0157	Capacitor	0.04 $\mu$ F	25WV Ceramic C10
C114	CK0157	Capacitor	0.04 $\mu$ F	25WV Ceramic C10
C115	CE0851	Capacitor	2.2 $\mu$ F	50WV U-electrolytic Radial
C116	CC0007	Capacitor	100pF	50WV Ceramic HE50
C117	CK0157	Capacitor	0.4 $\mu$ F	25WV Ceramic C10
C118	CE0849	Capacitor	0.47 $\mu$ F	50WV U-electrolytic Radial
C119	CK0157	Capacitor	0.04 $\mu$ F	25WV Ceramic C10
(C119)	CK0157	Capacitor	0.04 $\mu$ F	25WV Ceramic C10
C120	CE0821	Capacitor	100 $\mu$ F	16WV U-electrolytic Radial
C121S	CE0818	Capacitor	22 $\mu$ F	16WV U-electrolytic Radial
C122S	CK0109	Capacitor	470pF	50WV Ceramic HE40
C123	CE0818	Capacitor	22 $\mu$ F	16WV U-electrolytic Radial
C124	CE0819	Capacitor	33 $\mu$ F	16WV U-electrolytic Radial
C125	CE0818	Capacitor	22 $\mu$ F	16WV U-electrolytic Radial
C126	CK0155	Capacitor	0.01 $\mu$ F	50WV Ceramic HE70
C127	CQ0009	Capacitor	0.047 $\mu$ F	50WV Mylar YM92
C128	CQ0170	Capacitor	470pF	50WV styrol CQ09 Radial +/-5%
C129	CE0852	Capacitor	3.3 $\mu$ F	50WV U-electrolytic Radial
C130	CE0850	Capacitor	1 $\mu$ F	50WV U-electrolytic Radial
C131	CS0019	Capacitor	0.22 $\mu$ F	35WV Tantalum CS15
C132	CE0817	Capacitor	10 $\mu$ F	16WV U-electrolytic Radial
C133	CE0817	Capacitor	10 $\mu$ F	16WV U-electrolytic Radial
C134	CQ0269	Capacitor	120pF	50WV Styrol CQ09 Radial +/-5%
C135	CE0817	Capacitor	10 F	16WV U-electrolytic Radial
C136	CQ0067	Capacitor	1200pF	50WV Styrol CQ09 Radial +/-5%
C137	CQ0067	Capacitor	1200pF	50WV Styrol CQ09 Radial +/-5%
C138	<sup>U</sup> <sub>EZ</sub> CQ0210	Capacitor	620pF	50WV Styrol CQ09 Radial +/-5%
C139	<sup>U</sup> <sub>EZ</sub> CQ0210	Capacitor	620pF	50WV Styrol CQ09 Radial +/-5%
C140	CE0851	Capacitor	2.2 $\mu$ F	50WV U-electrolytic Radial
C141	CE0851	Capacitor	2.2 $\mu$ F	50WV U-electrolytic Radial
C142	CE0852	Capacitor	3.3 $\mu$ F	50WV U-electrolytic Radial
C143	CE0850	Capacitor	1 $\mu$ F	50WV U-electrolytic Radial
C144	CE0852	Capacitor	3.3 $\mu$ F	50WV U-electrolytic Radial
C145	CK0157	Capacitor	0.04 $\mu$ F	25WV Ceramic C10
C146	CE0852	Capacitor	3.3 $\mu$ F	50WV U-electrolytic Radial
C147	CE0817	Capacitor	10 $\mu$ F	16WV U-electrolytic Radial
C148	CK0155	Capacitor	0.01 $\mu$ F	50WV Ceramic HE70
C149	CK0155	Capacitor	0.01 $\mu$ F	50WV Ceramic HE70
C151	CK0157	Capacitor	0.04 $\mu$ F	25WV Ceramic C10
C152	CK0157	Capacitor	0.04 $\mu$ F	25WV Ceramic C10
C153	CK0157	Capacitor	0.04 $\mu$ F	25WV Ceramic C10
C154	CK0157	Capacitor	0.04 $\mu$ F	25WV Ceramic C10
C155	CK0157	Capacitor	0.04 $\mu$ F	25WV Ceramic C10
C156	CE0817	Capacitor	10 $\mu$ F	16WV U-electrolytic Radial
C157	CQ0013	Capacitor	0.022 $\mu$ F	50WV Mylar YM92



SYMBOL NO.	PARTS NO.	DESCRIPTION AND SPECIFICATION		
C158	CQ0013	Capacitor	0.022 $\mu$ F	50WV Mylar YM92
C159	CQ0013	Capacitor	0.022 $\mu$ F	50WV Mylar YM92
C160	CE0817	Capacitor	10 $\mu$ F	16WV U-electrolitic Radial
C161	CE0817	Capacitor	10 $\mu$ F	16WV U-electrolitic Radial
C162	CE0817	Capacitor	10 $\mu$ F	16WV U-electrolitic Radial
C163	CQ0013	Capacitor	0.022 $\mu$ F	50WV Mylar YM92
C164	CC0038	Capacitor	5pF	50WV Ceramic HE40
C165	CC0080	Capacitor	15pF	50WV Ceramic HE40
C166	CC0004	Capacitor	22pF	50WV Ceramic HE40
C167	CQ0172	Capacitor	330pF	50WV Styrol CQ09 Radial +/-5%
C168	CK0156	Capacitor	0.022 $\mu$ F	25WV Ceramic HE75
C169	CK0156	Capacitor	0.022 $\mu$ F	25WV Ceramic HE75
C170	CK0156	Capacitor	0.022 $\mu$ F	25WV Ceramic HE75
C171	CK0156	Capacitor	0.022 $\mu$ F	25WV Ceramic HE75
C172	CE0821	Capacitor	100 $\mu$ F	16WV U-electrolitic Radial
C173	CK0113	Capacitor	1000pF	50WV Ceramic HE50
C174	CE0817	Capacitor	10 $\mu$ F	16WV U-electrolitic Radial
C175	CK0155	Capacitor	0.01 $\mu$ F	50WV Ceramic HE70
C176	CK0157	Capacitor	0.04 $\mu$ F	25WV Ceramic C10
C177	CK0157	Capacitor	0.04 $\mu$ F	25WV Ceramic C10
C178	CE0817	Capacitor	10 $\mu$ F	16WV U-electrolitic Radial
C179	CE0852	Capacitor	3.3 $\mu$ F	50WV U-electrolitic Radial
C180	CK0155	Capacitor	0.01 $\mu$ F	50WV Ceramic HE70
C181	CK0130	Capacitor	4700pF	50WV Ceramic HE80
C182	CK0157	Capacitor	0.04 $\mu$ F	25WV Ceramic C10
C183	CE0836	Capacitor	1000 $\mu$ F	25WV U-electrolitic Radial
C184	CE0846	Capacitor	470 $\mu$ F	35WV U-electrolitic Radial
C185	CE0833	Capacitor	220 $\mu$ F	25WV U-electrolitic Radial
C186	CE0821	Capacitor	100 $\mu$ F	16WV U-electrolitic Radial
C187	CE0817	Capacitor	10 $\mu$ F	16WV U-electrolitic Radial
C189	CK0157	Capacitor	0.04 $\mu$ F	25WV Ceramic C10
C191E	CU0033	Capacitor	0.022 $\mu$ F	250WV Linepass PME
C191S	CU0041	Capacitor	0.022 $\mu$ F	250WV Linepass PME
C191U	CU0076			
C192E	CU0033	Capacitor	0.022 $\mu$ F	250WV Linepass PME
C192S	CU0041	Capacitor	0.022 $\mu$ F	250WV Linepass PME
C193	CK0157	Capacitor	0.04 $\mu$ F	25WV Ceramic C10
C194	CK0155	Capacitor	0.01 $\mu$ F	50WV Ceramic HE70
C195	CK0155	Capacitor	0.01 $\mu$ F	50WV Ceramic HE70
C196	CK0155	Capacitor	0.01 $\mu$ F	50WV Ceramic HE70
C197	CK0157	Capacitor	0.04 $\mu$ F	25WV Ceramic C10
D101	TD0197	Diode	US1070	
D102	TD0197	Diode	US1070	
D103	TD0197	Diode	US1070	
D104	TD0197	Diode	US1070	
D105	TD0197	Diode	US1070	
D106	TD0197	Diode	US1070	
D107	TD0203	LED SEL1112R		
D108	TD0203	LED SEL1112R		
D109	TD0203	LED SEL1112R		
D110	TD0203	LED SEL1112R		
D111	TD0203	LED SEL1112R		
D112	TD0203	LED SEL1112R		
D113	TD0168	D SISY-20		
D114	TD0168	D SISY-20		
D115	TD0197	Diode	US1070	
D116	TD0079	Diode Zener	WZ140	14V
D117	TD0079	Diode Zener	WZ140	14V
D118	TV0030	Diode Varistor	KB265-C4	
D119	TD0197	Diode	US1070	



PB-1322-1  
 POWER SW P.C.B.  
 C191  
 SW101

FS101  
 T 100mA  
 REPLACE WITH  
 SAME TYPE 250V  
 FUSE ONLY.  
 REMPLACER PAR UN  
 FUSIBLE DU MEME TYPE  
 250V.

PB-1322-2  
 R171  
 R172  
 R173  
 R174  
 R175  
 R176  
 R177  
 R178  
 R179  
 R180  
 R181  
 R182  
 R183  
 R184  
 R185  
 R186  
 R187  
 R188  
 R189  
 R190  
 R191  
 R192  
 R193  
 R194  
 R195  
 R196  
 R197  
 R198  
 R199  
 R200  
 R201  
 R202  
 R203  
 R204  
 R205  
 R206  
 R207  
 R208  
 R209

FS102  
 FS103  
 T 250mA  
 T 250mA  
 REPLACE WITH SAME  
 TYPE 250V FUSE ONLY.  
 REMPLACER PAR  
 UN FUSIBLE DU MEME  
 TYPE 250V.

SW105  
 SELECTOR  
 U.S.F.  
 U.S.E.  
 T102  
 T101  
 T100  
 T103  
 T104  
 T105  
 T106  
 T107  
 T108  
 T109  
 T110  
 T111  
 T112  
 T113  
 T114  
 T115  
 T116  
 T117  
 T118  
 T119  
 T120  
 T121  
 T122  
 T123  
 T124  
 T125  
 T126  
 T127  
 T128  
 T129  
 T130  
 T131  
 T132  
 T133  
 T134  
 T135  
 T136  
 T137  
 T138  
 T139  
 T140  
 T141  
 T142  
 T143  
 T144  
 T145  
 T146  
 T147  
 T148  
 T149  
 T150  
 T151  
 T152  
 T153  
 T154  
 T155  
 T156  
 T157  
 T158  
 T159  
 T160  
 T161  
 T162  
 T163  
 T164  
 T165  
 T166  
 T167  
 T168  
 T169  
 T170  
 T171  
 T172  
 T173  
 T174  
 T175  
 T176  
 T177  
 T178  
 T179  
 T180  
 T181  
 T182  
 T183  
 T184  
 T185  
 T186  
 T187  
 T188  
 T189  
 T190  
 T191  
 T192  
 T193  
 T194  
 T195  
 T196  
 T197  
 T198  
 T199  
 T200  
 T201  
 T202  
 T203  
 T204  
 T205  
 T206  
 T207  
 T208  
 T209  
 T210  
 T211  
 T212  
 T213  
 T214  
 T215  
 T216  
 T217  
 T218  
 T219  
 T220  
 T221  
 T222  
 T223  
 T224  
 T225  
 T226  
 T227  
 T228  
 T229  
 T230  
 T231  
 T232  
 T233  
 T234  
 T235  
 T236  
 T237  
 T238  
 T239  
 T240  
 T241  
 T242  
 T243  
 T244  
 T245  
 T246  
 T247  
 T248  
 T249  
 T250

SW102  
 SW103  
 SW501  
 TC501  
 TC502  
 TC503  
 TC504  
 TC505  
 TC506  
 TC507  
 TC508  
 TC509  
 TC510  
 TC511  
 TC512  
 TC513  
 TC514  
 TC515  
 TC516  
 TC517  
 TC518  
 TC519  
 TC520  
 TC521  
 TC522  
 TC523  
 TC524  
 TC525  
 TC526  
 TC527  
 TC528  
 TC529  
 TC530  
 TC531  
 TC532  
 TC533  
 TC534  
 TC535  
 TC536  
 TC537  
 TC538  
 TC539  
 TC540  
 TC541  
 TC542  
 TC543  
 TC544  
 TC545  
 TC546  
 TC547  
 TC548  
 TC549  
 TC550  
 TC551  
 TC552  
 TC553  
 TC554  
 TC555  
 TC556  
 TC557  
 TC558  
 TC559  
 TC560  
 TC561  
 TC562  
 TC563  
 TC564  
 TC565  
 TC566  
 TC567  
 TC568  
 TC569  
 TC570  
 TC571  
 TC572  
 TC573  
 TC574  
 TC575  
 TC576  
 TC577  
 TC578  
 TC579  
 TC580  
 TC581  
 TC582  
 TC583  
 TC584  
 TC585  
 TC586  
 TC587  
 TC588  
 TC589  
 TC590  
 TC591  
 TC592  
 TC593  
 TC594  
 TC595  
 TC596  
 TC597  
 TC598  
 TC599  
 TC600

SW104  
 SW105  
 SW106  
 SW107  
 SW108  
 SW109  
 SW110  
 SW111  
 SW112  
 SW113  
 SW114  
 SW115  
 SW116  
 SW117  
 SW118  
 SW119  
 SW120  
 SW121  
 SW122  
 SW123  
 SW124  
 SW125  
 SW126  
 SW127  
 SW128  
 SW129  
 SW130  
 SW131  
 SW132  
 SW133  
 SW134  
 SW135  
 SW136  
 SW137  
 SW138  
 SW139  
 SW140  
 SW141  
 SW142  
 SW143  
 SW144  
 SW145  
 SW146  
 SW147  
 SW148  
 SW149  
 SW150  
 SW151  
 SW152  
 SW153  
 SW154  
 SW155  
 SW156  
 SW157  
 SW158  
 SW159  
 SW160  
 SW161  
 SW162  
 SW163  
 SW164  
 SW165  
 SW166  
 SW167  
 SW168  
 SW169  
 SW170  
 SW171  
 SW172  
 SW173  
 SW174  
 SW175  
 SW176  
 SW177  
 SW178  
 SW179  
 SW180  
 SW181  
 SW182  
 SW183  
 SW184  
 SW185  
 SW186  
 SW187  
 SW188  
 SW189  
 SW190  
 SW191  
 SW192  
 SW193  
 SW194  
 SW195  
 SW196  
 SW197  
 SW198  
 SW199  
 SW200

SW101  
 SW102  
 SW103  
 SW104  
 SW105  
 SW106  
 SW107  
 SW108  
 SW109  
 SW110  
 SW111  
 SW112  
 SW113  
 SW114  
 SW115  
 SW116  
 SW117  
 SW118  
 SW119  
 SW120  
 SW121  
 SW122  
 SW123  
 SW124  
 SW125  
 SW126  
 SW127  
 SW128  
 SW129  
 SW130  
 SW131  
 SW132  
 SW133  
 SW134  
 SW135  
 SW136  
 SW137  
 SW138  
 SW139  
 SW140  
 SW141  
 SW142  
 SW143  
 SW144  
 SW145  
 SW146  
 SW147  
 SW148  
 SW149  
 SW150  
 SW151  
 SW152  
 SW153  
 SW154  
 SW155  
 SW156  
 SW157  
 SW158  
 SW159  
 SW160  
 SW161  
 SW162  
 SW163  
 SW164  
 SW165  
 SW166  
 SW167  
 SW168  
 SW169  
 SW170  
 SW171  
 SW172  
 SW173  
 SW174  
 SW175  
 SW176  
 SW177  
 SW178  
 SW179  
 SW180  
 SW181  
 SW182  
 SW183  
 SW184  
 SW185  
 SW186  
 SW187  
 SW188  
 SW189  
 SW190  
 SW191  
 SW192  
 SW193  
 SW194  
 SW195  
 SW196  
 SW197  
 SW198  
 SW199  
 SW200

Parts List

Ref. No.	Description	T-1	T-1L
1	Knob (tuning) (UC, UZ, EK, SK) (J)	WH1104 WH1103	WH1104 -
2	Knob (Muting)	WJ1140	WJ1140
3	Knob (Power)	WJ1133	WJ1133
4	Knob (AM/FM)	WJ1140	WJ1140
5	Knob (Mono/Stereo)	WJ1140	WJ1140
6	Knob (test tone)	WJ1140	WJ1140
7	Protector	UE1093	UE1093
8	Pointer	UZ1191	UZ1191
9	L.E.D. (SEL1112R)	TD0203	TD0203
10	Dial Scale (UC, UZ, EK, SK) (J)	WM1061 WM1060	WM1062 -
11	Antenna terminal (FM)	AT0121	AT0121
12	Antenna terminal (FM)	AT0121	AT0121
13	Antenna terminal (AM)	AT0121	AT0121
14	AM Bar Antenna	LA1129	LA1117
15	Output terminal	AT5017	AT5017
16	Power Cord (J) (UC, UZ) (EK) (SK)	BK0015 BK0018 BK0022 BK0022	- - - BK0022
17	Bonnet	UG1024	UG1024
18	Rear Panel	UC1171	UC1173
19	Front Panel	WA1200	WA1202
20	Fly Wheel	UX1014	UX1014
21	Foot	WN0007	WN0007
4'	Knob (MW/LW)	-	WJ1140

Parts List T-1, T-1L

Ref. No.	Code	Description	Remarks
SW105	SP0162	Muting Switch	
SW104	SP0164	AM/FM Switch	
SW103	SP0163	Mono/Stereo Switch	
SW102	SP0163	Test Tone Switch	
SWa ~ f	SP0150	MW/LW Switch	T-1L
SW101	SP0151	Power Switch SDU1P	E, S
SW101	SP0152	Power Switch SDU3P	U, J
	PT2472	Power Trans Former	U
	PT2473	"	S
	PT2474	"	E
	PT2471	"	J
	PT2519	"	(220V only)
	LA1923	Front End (FF111U22)	E, S, U
	LA1922	" (FF111J15)	J
PL	AL0039	Lamp	

SYMBOL NO.	PARTS NO.	DESCRIPTION AND SPECIFICATION			
F104S	LA1192	Anti-bardie Filter	Lux-1192		
F105	LA1196	Low-pass Filter	BL-30HJ		
F106	LA1196	Low-pass Filter	BL-30HJ		
L101	LA1173	CHOKe Coil	S-220J		
Q101	TR0092	Transistor	2SC1674		
Q102	TR0019	Transistor	2SC1923		
Q103	TR0019	Transistor	2SC1923		
Q104	TC0099	IC	LA1231NS		
Q105	TR0198	Transistor	2SC1815		
Q106	TR0198	Transistor	2SC1815		
Q107	TC0094	IC	UPC1161C		
Q108	TR0198	Transistor	2SC1815		
Q109	TC0173	IC	BA685		
Q110	TC0021	IC	HA1197		
Q111	TR0198	Transistor	2SC1815		
Q112	TR0198	Transistor	2SC1815		
Q113	TR0087	Transistor	2SA1015		
Q114	TR5012	Transistor	2SD880		
Q115	TR0198	Transistor	2SC1815		
Q116	TR0198	Transistor	2SC1815		
Q117	TR0198	Transistor	2SC1815		
Q118	TR0198	Transistor	2SC1815		
Q119	TF0030	FET	2SK117Y		
Q120	TR0198	Transistor	2SC1815		
R101	RB0364	Resistor	470 OHM	0.25W +/-5%	Carbon RD25S
R102	RB0390	Resistor	5.6K OHM	0.25W +/-5%	Carbon RD25S
R103	RB0344	Resistor	68 OHM	0.25W +/-5%	Carbon RD25S
R104	RB0360	Resistor	330 OHM	0.25W +/-5%	Carbon RD25S
R105	RB0348	Resistor	100 OHM	0.25W +/-5%	Carbon RD25S
R106	RB0348	Resistor	100 OHM	0.25W +/-5%	Carbon RD25S
R107	RB0364	Resistor	470 OHM	0.25W +/-5%	Carbon RD25S
R108	RB0382	Resistor	2.7K OHM	0.25W +/-5%	Carbon RD25S
R108	RB0364	Resistor	470 OHM	0.25W +/-5%	Carbon RD25S
R110	RB0360	Resistor	330 OHM	0.25W +/-5%	Carbon RD25S
R111	RB0348	Resistor	100 OHM	0.25W +/-5%	Carbon RD25S
R112	RB0388	Resistor	4.7K OHM	0.25W +/-5%	Carbon RD25S
R113	RB0414	Resistor	56K OHM	0.25W +/-5%	Carbon RD25S
R114	RB0344	Resistor	68 OHM	0.25W +/-5%	Carbon RD25S
R115	RB0360	Resistor	330 OHM	0.25W +/-5%	Carbon RD25S
R116	RB0364	Resistor	470 OHM	0.25W +/-5%	Carbon RD25S
R117	RB0416	Resistor	68K OHM	0.25W +/-5%	Carbon RD25S
R118	RB0400	Resistor	15K OHM	0.25W +/-5%	Carbon RD25S
R119	RB0406	Resistor	27K OHM	0.25W +/-5%	Carbon RD25S
R120	RB0412	Resistor	47K OHM	0.25W +/-5%	Carbon RD25S
R121	RB0348	Resistor	100 OHM	0.25W +/-5%	Carbon RD25S
R122	RB0396	Resistor	10K OHM	0.25W +/-5%	Carbon RD25S
R123	RB0414	Resistor	56K OHM	0.25W +/-5%	Carbon RD25S
R124	RB0404	Resistor	22K OHM	0.25W +/-5%	Carbon RD25S
R125	RB0396	Resistor	10K OHM	0.25W +/-5%	Carbon RD25S
R126	RB0396	Resistor	10K OHM	0.25W +/-5%	Carbon RD25S
R127	RB0394	Resistor	8.2K OHM	0.25W +/-5%	Carbon RD25S
R128	RB0378	Resistor	1.8K OHM	0.25W +/-5%	Carbon RD25S
R129	RB0356	Resistor	220 OHM	0.25W +/-5%	Carbon RD25S
R130	RB0406	Resistor	27K OHM	0.25W +/-5%	Carbon RD25S
R131E	RB0364	Resistor	470 OHM	0.25W +/-5%	Carbon RD25S
R131J	RB0364	Resistor	470 OHM	0.25W +/-5%	Carbon RD25S
R131S	RB0396	Resistor	10K OHM	0.25W +/-5%	Carbon RD25S
R131U	RB0364	Resistor	470 OHM	0.25W +/-5%	Carbon RD25S

SYMBOL NO.	PARTS NO.	DESCRIPTION AND SPECIFICATION			
R132S	RB0396	Resistor	10K OHM	0.25W +/-5% Carbon	RD25S
R133	RB0388	Resistor	4.7K OHM	0.25W +/-5% Carbon	RD25S
R134E	RB0402	Resistor	18K OHM	0.25W +/-5% Carbon	RD25S
R134J	RB0402	Resistor	18K OHM	0.25W +/-5% Carbon	RD25S
R134S	RB0392	Resistor	6.8K OHM	0.25W +/-5% Carbon	RD25S
R134U	RB0402	Resistor	18K OHM	0.25W +/-5% Carbon	RD25S
R135E	RB0406	Resistor	27K OHM	0.25W +/-5% Carbon	RD25S
R135J	RB0406	Resistor	27K OHM	0.25W +/-5% Carbon	RD25S
R135S	RB0408	Resistor	33K OHM	0.25W +/-5% Carbon	RD25S
R135U	RB0406	Resistor	27K OHM	0.25W +/-5% Carbon	RD25S
R136	RB0396	Resistor	10K OHM	0.25W +/-5% Carbon	RD25S
R137	RB0384	Resistor	3.3K OHM	0.25W +/-5% Carbon	RD25S
R138E	RB0404	Resistor	22K OHM	0.25W +/-5% Carbon	RD25S
R138J	RB0404	Resistor	22K OHM	0.25W +/-5% Carbon	RD25S
R138S	RB0400	Resistor	15K OHM	0.25W +/-5% Carbon	RD25S
R138U	RB0404	Resistor	22K OHM	0.25W +/-5% Carbon	RD25S
R141	RB0400	Resistor	15K OHM	0.25W +/-5% Carbon	RD25S
R142	RB0378	Resistor	1.8K OHM	0.25W +/-5% Carbon	RD25S
R143	RB0372	Resistor	1K OHM	0.25W +/-5% Carbon	RD25S
R144	RB0404	Resistor	22K OHM	0.25W +/-5% Carbon	RD25S
R145	RB0404	Resistor	22K OHM	0.25W +/-5% Carbon	RD25S
R146	RB0390	Resistor	5.6K OHM	0.25W +/-5% Carbon	RD25S
R147	RB0390	Resistor	5.6K OHM	0.25W +/-5% Carbon	RD25S
R148	RB0412	Resistor	47K OHM	0.25W +/-5% Carbon	RD25S
R149	RB0412	Resistor	47K OHM	0.25W +/-5% Carbon	RD25S
R150	RB0384	Resistor	3.3K OHM	0.25W +/-5% Carbon	RD25S
R151	RB0384	Resistor	3.3K OHM	0.25W +/-5% Carbon	RD25S
R152	RB0384	Resistor	3.3K OHM	0.25W +/-5% Carbon	RD25S
R153	RB0384	Resistor	3.3K OHM	0.25W +/-5% Carbon	RD25S
R154	RB0356	Resistor	220 OHM	0.25W +/-5% Carbon	RD25S
R155	RB0356	Resistor	220 OHM	0.25W +/-5% Carbon	RD25S
R156	RB0398	Resistor	12K OHM	0.25W +/-5% Carbon	RD25S
R157	RB0388	Resistor	4.7K OHM	0.25W +/-5% Carbon	RD25S
R158	RB0412	Resistor	47K OHM	0.25W +/-5% Carbon	RD25S
R159	RB0388	Resistor	4.7K OHM	0.25W +/-5% Carbon	RD25S
R160	RB0412	Resistor	47K OHM	0.25W +/-5% Carbon	RD25S
R161	RB0412	Resistor	47K OHM	0.25W +/-5% Carbon	RD25S
R162	RB0412	Resistor	47K OHM	0.25W +/-5% Carbon	RD25S
R163	RB0412	Resistor	47K OHM	0.25W +/-5% Carbon	RD25S
R164	RB0412	Resistor	47K OHM	0.25W +/-5% Carbon	RD25S
R165	RB0396	Resistor	10K OHM	0.25W +/-5% Carbon	RD25S
R166	RB0412	Resistor	47K OHM	0.25W +/-5% Carbon	RD25S
R167	RB0436	Resistor	470K OHM	0.25W +/-5% Carbon	RD25S
R168	RB0364	Resistor	470 OHM	0.25W +/-5% Carbon	RD25S
R169	RB0410	Resistor	39K OHM	0.25W +/-5% Carbon	RD25S
R170	RB0396	Resistor	10K OHM	0.25W +/-5% Carbon	RD25S
R171	RB0378	Resistor	1.8K OHM	0.25W +/-5% Carbon	RD25S
R172	RB0378	Resistor	1.8K OHM	0.25W +/-5% Carbon	RD25S
R173	RB0378	Resistor	1.8K OHM	0.25W +/-5% Carbon	RD25S
R174	RB0378	Resistor	1.8K OHM	0.25W +/-5% Carbon	RD25S
R175	RB0378	Resistor	1.8K OHM	0.25W +/-5% Carbon	RD25S
R176	RB0414	Resistor	56K OHM	0.25W +/-5% Carbon	RD25S
R177	RB0372	Resistor	1K OHM	0.25W +/-5% Carbon	RD25S
R178	RB0388	Resistor	4.7K OHM	0.25W +/-5% Carbon	RD25S
R179	RB0372	Resistor	1K OHM	0.25W +/-5% Carbon	RD25S
R180	RB0418	Resistor	82K OHM	0.25W +/-5% Carbon	RD25S
R181	RB0398	Resistor	12K OHM	0.25W +/-5% Carbon	RD25S
R182	RB0388	Resistor	4.7K OHM	0.25W +/-5% Carbon	RD25S
R183	RB0388	Resistor	4.7K OHM	0.25W +/-5% Carbon	RD25S
R184	RB0392	Resistor	6.8K OHM	0.25W +/-5% Carbon	RD25S
R185	RB0416	Resistor	68K OHM	0.25W +/-5% Carbon	RD25S

SYMBOL NO.	PARTS NO.	DESCRIPTION AND SPECIFICATION			
R186	RB0386	Resistor	3.9K OHM	0.25W +/-5%	Carbon RD25S
R187	RB0420	Resistor	100K OHM	0.25W +/-5%	Carbon RD25S
R188	RB0348	Resistor	100 OHM	0.25W +/-5%	Carbon RD25S
R189	RB0388	Resistor	4.7K OHM	0.25W +/-5%	Carbon RD25S
R190	RB0324	Resistor	10 OHM	0.25W +/-5%	Carbon RD25S
R191	RB0376	Resistor	1.5K OHM	0.25W +/-5%	Carbon RD25S
R192	RB0356	Resistor	220 OHM	0.25W +/-5%	Carbon RD25S
R193	RB0390	Resistor	5.6K OHM	0.25W +/-5%	Carbon RD25S
R194	RB0360	Resistor	330 OHM	0.25W +/-5%	Carbon RD25S
R195	RB0348	Resistor	100 OHM	0.25W +/-5%	Carbon RD25S
R196	RB0396	Resistor	10K OHM	0.25W +/-5%	Carbon RD25S
R197	RB0396	Resistor	10K OHM	0.25W +/-5%	Carbon RD25S
R198	RB0382	Resistor	2.7K OHM	0.25W +/-5%	Carbon RD25S
R199	RB0400	Resistor	15K OHM	0.25W +/-5%	Carbon RD25S
R200E	RB0392	Resistor	6.8K OHM	0.25W +/-5%	Carbon RD25S
R200J	RB0392	Resistor	6.8K OHM	0.25W +/-5%	Carbon RD25S
R200S	RB0386	Resistor	3.9K OHM	0.25W +/-5%	Carbon RD25S
R200U	RB0392	Resistor	6.8K OHM	0.25W +/-5%	Carbon RD25S
R201	RB0372	Resistor	1K OHM	0.25W +/-5%	Carbon RD25S
R202	RS3069	Resistor	82 OHM	1W +/-5%	FLAME PROOF
R203	RD2574	Resistor	470 OHM	0.5W +/-5%	Carbon RD1/2
R204	RD0470	Resistor	470 OHM	0.25W +/-5%	Carbon RD1/4S
R205	RD2574	Resistor	470 OHM	0.5W +/-5%	Carbon RD1/2
R206	RB0348	Resistor	100 OHM	0.25W +/-5%	Carbon RD25S
R207	RB0412	Resistor	47K OHM	0.25W +/-5%	Carbon RD25S
R209	RD0100	Resistor	2.2M OHM	0.25W +/-5%	Carbon RD1/2
T101	LA5021	FM Transformer	LUX5021		
T102	LA5022	FM Transformer	LUX5022		
T103	LA1073	AM Transformer	LUX-1073		
T104	LA1098	AM Transformer	FSN-1067		
T105	LA1100	AM Transformer	LA-1100		
VR101	RT0054	SEMI Fixed Resistor	300 OHM B	KVSF8-7PNFX	
VR102	RT0052	SEMI Fixed Resistor	20K OHM B	KVSF8-7PNFX	
VR103	RT0025	SEMI Fixed Resistor	4.7K OHM B	SR19R	
VR104	RT0109	SEMI Fixed Resistor	500K OHM B	KVSF8-7PNFX	
VR105	RT0086	SEMI Fixed Resistor	10K OHM B	KVSF8-7PNFX	
VR106	RT0051	SEMI Fixed Resistor	5K OHM B	KVSF8-7PNFX	

	FS101	FS102	FS103
S	T 100mA	T 250mA	T 250mA
J	0.2A	0.5A	0.5A
U	0.2A	0.5A	0.5A
E	EK: 0.1A EZ: 0.2A	0.5A	0.5A

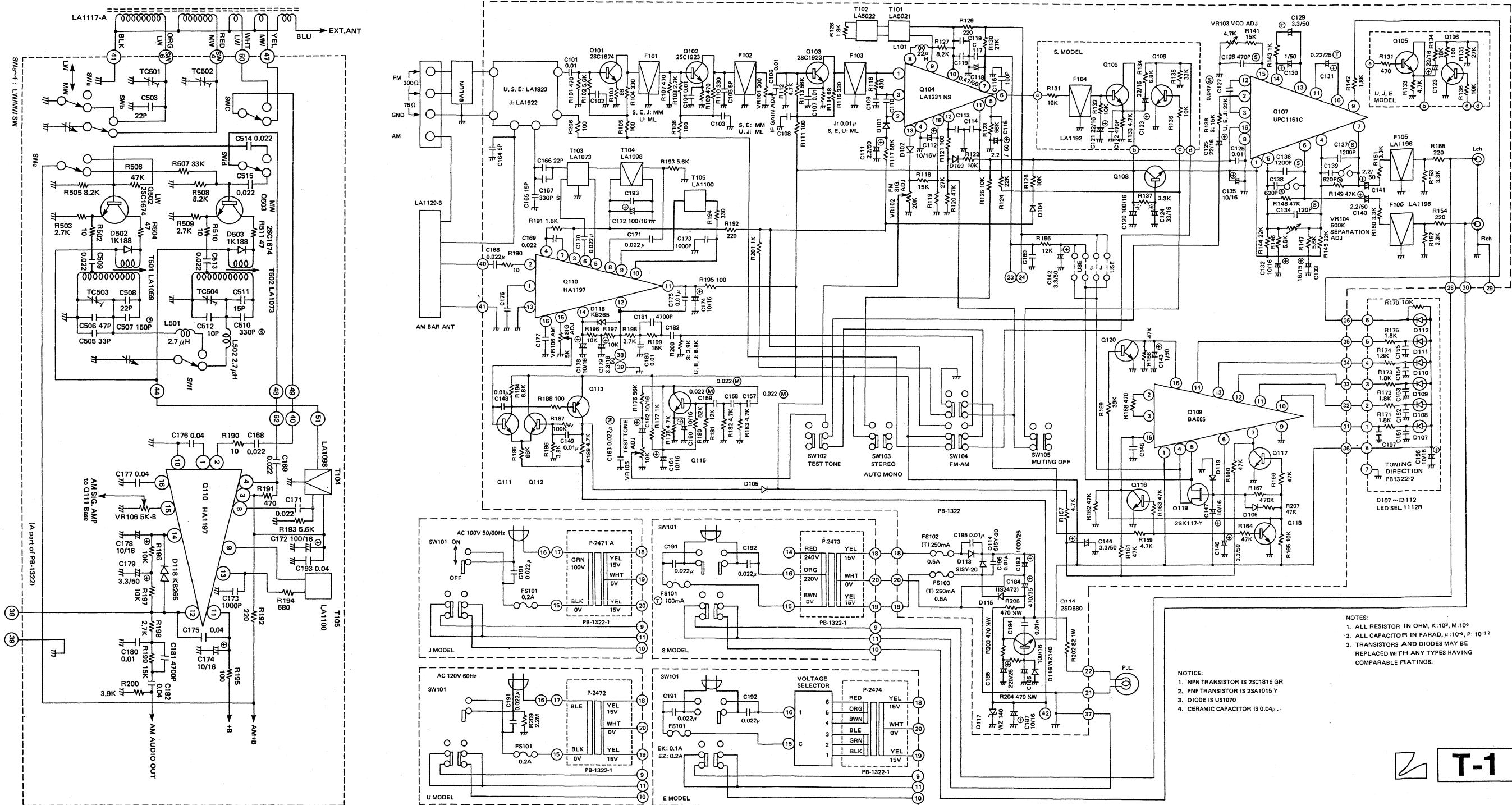
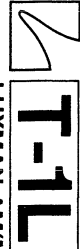
Parts List T1-L Only

Ref. No.	Code	Description				
C503	CC0004	22pF	50V ± 10%	T501	LA1095	LW TRANS FORMER
C505	CC0005	33pF	50V ± 10%	T502	LA1073	AM TRANS FORMER
C506	CC0006	47pF	50V ± 10%			
C507	CQ0205	150pF	50V ± 5%	Q502	TR0092	2SC1674
C508	CC0004	22pF	50V ± 10%	Q503	TR0092	2SC1674
C509	CC0156	0.022μF	25V			
C510	CQ0172	330pF	50V ± 5%	D502	TD0018	1K-188FM
C511	CC0080	15pF	50V ± 10%	D503	TD0018	1K-188FM
C512	CC0012	10pF	50V ± 10%			
C513	CK0156	0.022μF	25V	R502	RB0324	10 Ω 1/4w ± 5%
C514	CK0156	0.022μF	25V	R503	RB0382	2.7K
C515	CK0156	0.022μF	25V	R504	RB0340	47
				R505	RB0394	8.2K
TC501	CT0008	20pF	TRIMMER	R506	RB0412	47K
TC502	CT0008	20pF	TRIMMER	R507	RB0408	33K
TC503	CT0008	20pF	TRIMMER	R508	RB0394	8.2K
TC504	CT0008	20pF	TRIMMER	R509	RB0382	2.7K
				R510	RB0324	10
				R511	RB0340	47

**SPECIFICATIONS**

[FM SECTION](IEEE/IHF Standard)	(MONO)	(STEREO)
Usable Sensitivity:	10.8dBf(1.9μV)	
50dB Quieting Sensitivity:	16.0dBf(3.5μV)	
Signal-to-Noise Ratio at 65dBf:	75dB(IHF A weighted)	
Frequency Response:	-1dB(30Hz-15kHz)	
Distortion at 65dBf:	100Hz	0.15% 0.3%
	1kHz	0.15% 0.3%
	6kHz	0.3% 0.5%
Capture Ratio at 65dBf:	1.4dB	
Adjacent Channel Selectivity:	10dB	
Alternate Channel Selectivity ±400kHz:	75dB	
Spurious Response Ratio:	80dB	
IF Response Ratio:	90dB	
Image Response Ratio:	55dB	
AM Suppression Ratio:	55dB	
Stereo Separation:	100Hz	40dB
	1kHz	45dB(38dB with birdie filter)
	10kHz	38dB

Subcarrier Product Ratio:	62dB
SCA Rejection Ratio:	60dB
Muting Threshold:	5μV
Output Level:	700mV
[AM SECTION]	
Usable Sensitivity at 1MHz, 400Hz 30% mod:	220μV/m
Image Response Ratio at 1MHz:	50dB
IF Response Ratio at 1MHz:	40dB
Signal-to-Noise Ratio at 1MHz, 10mV/m,	
	400Hz 30% mod:
Distortion at 1MHz, 10mV/m, 400Hz 30% mod:	0.5%
[GENERAL]	
Power Consumption:	7W
Dimensions:	438(W)×312(D)×85(H)mm
	(17-1/4"×12-9/32"×3-11/32")
Weight:	Net 5.0kgs(11.0 lbs.)
	Gross 6.0kgs(13.2 lbs.)



- NOTES:
1. ALL RESISTOR IN OHM, K:10<sup>3</sup>, M:10<sup>6</sup>
  2. ALL CAPACITOR IN FARAD, μ:10<sup>-6</sup>, P:10<sup>-12</sup>
  3. TRANSISTORS AND DIODES MAY BE REPLACED WITH ANY TYPES HAVING COMPARABLE RATINGS.

NOTICE:

1. NPN TRANSISTOR IS 2SC1815 GR
2. PNP TRANSISTOR IS 2SA1015 Y
3. DIODE IS U51070
4. CERAMIC CAPACITOR IS 0.04μ

