

TRANSISTORS & ICs

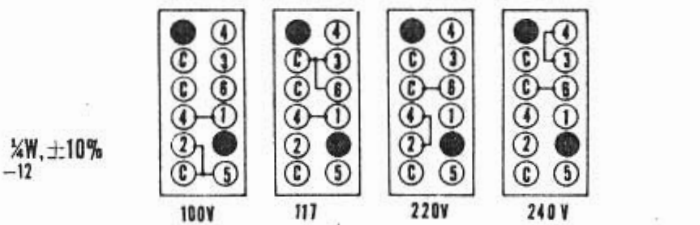
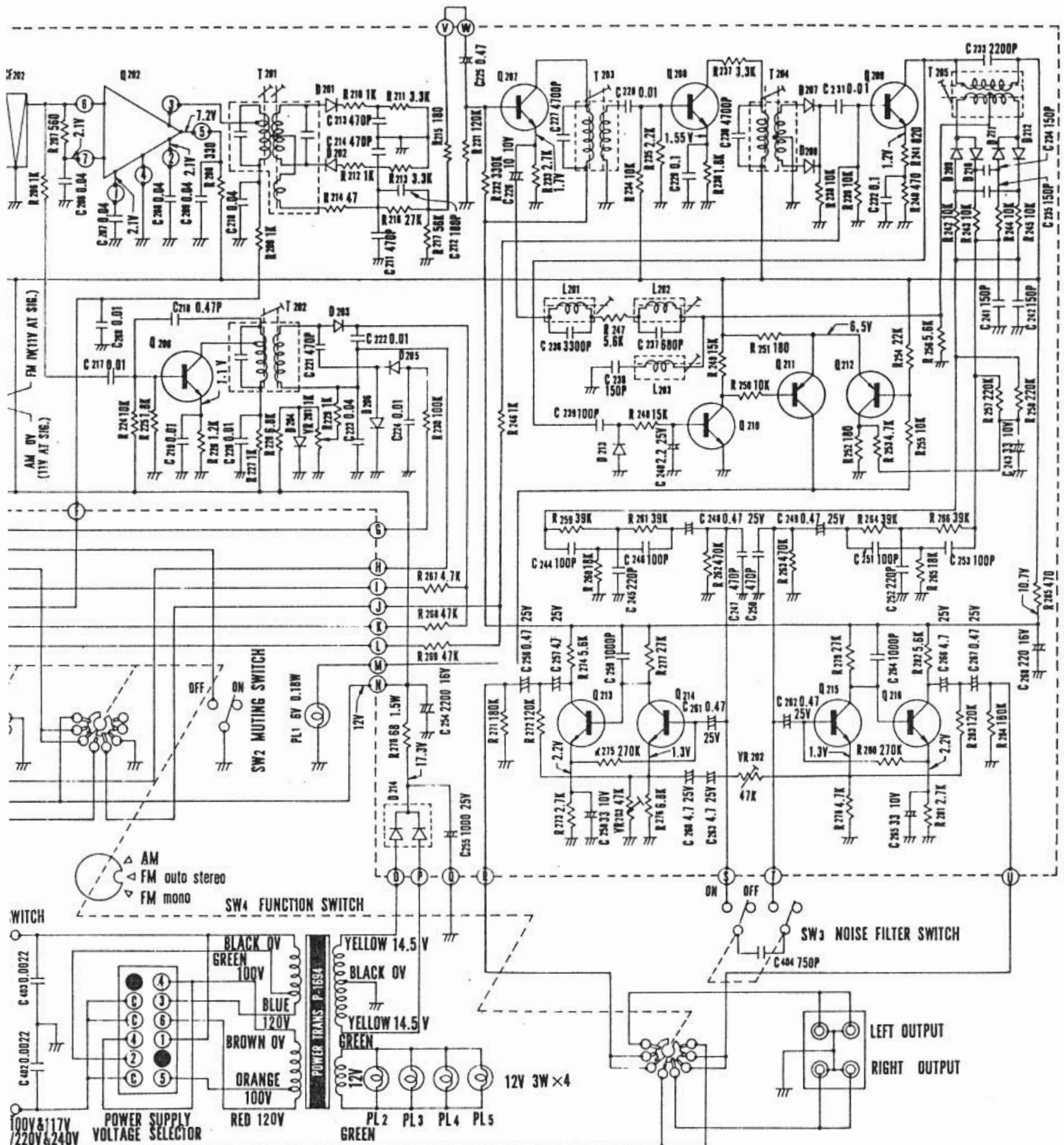
Q 201, Q 202	TA7061P
Q 206, Q 301, Q 302, Q 303	2SC381R
Q 207, Q 213, Q 214	2SC6936U
Q 215, Q 216	
Q 203, Q 204, Q 205, Q 208	2SC537E/F
Q 209, Q 210, Q 304	2SB187
Q 211, Q 212	
DIODES	
D 201, D 202, D 203, D 205	1S18(Ge)
D 206, D 207, D 208, D 209	
D 209, D 210, D 211, D 212	
D 213, D 304, D 305, D 306	
D 204, D 302, D 303	KB265(Si)
B 301	K8165(Si)
D 214	10DC-1(Si)

NOTES

- 1 PL1..... STEREO INDICATOR
- 2 PL2, PL3, PL4, PL5..... DIAL ILLUMINATIONS
- 2 VR201..... FM MUTING ADJ.
- 4 VR202..... SEPARATION ADJ.
- 5 VR203..... BALANCE ADJ.
- 6 VR301..... AM AGC ADJ.
- 8 VR302..... AM MUTING ADJ.
- 9 T 201..... Y4FC20076BJK
- 10 T 202..... TKAC-14733K
- 11 T 203..... CAM-1310QH2
- 12 T 204..... CAM-1308CY02
- 13 T 205, T 207..... CAM-1309CY02
- 14 T 206..... CAM-1089HM2
- 15 T 208..... CAM-1311HM2
- 16 T 301..... YXR189Q96N

- 17 T 302..... Y6AQC20025AA
- 18 T 303..... Y6AQC20028HBA
- 19 T 304..... YMC-15002A
- 20 ALL RESISTOR IN OHMS (K = $\times 10^3$, M = $\times 10^6$) $\frac{1}{2}\%$, $\pm 10\%$
- 21 ALL CAPACITORS IN MICRO FARADS $\mu = \times 10^{-6}$
- 22 TRANSISTORS AND DIODES MAY BE REPLACED WITH ANY TYPES HAVING COMPARABLE RATINGS.
- 23 VOLTAGES MEASURED WITH "VTVM" WITH NO SIGNAL INPUT.
- 24 THERE MIGHT BE SLIGHT CHANGES IN THE ACTUAL SET.

FUSE 0.5A/100V & 117V 0.25A/220V & 240V



CONNECTIONS FOR POWER SUPPLY VOLTAGE SELECTOR (VIEWED FROM BOTTOM)