

SERVICE MANUAL

SKANTIC

LUXOR

8103



TYPE
150 2003

KASSETTDEL

CASSETTE RECORDER

CASSETTENTEIL

Frekvensområde
Frequency response
Frequenzbereich

FUJI FX-1 20 - 14 000 Hz
CrO₂ super 20 - 15 000 Hz

Distorsion
Distortion
Klirrfaktor

1 000 Hz

1,0 %

Störavstånd
Signal/noise ratio
Störabstand

FUJI FX-1 60 dB
CrO₂ super 60 dB

Överhörning
Crosstalk
Übersprechen

≥ 40 dB

Raderdämpning vid 1 000 Hz
Erase efficiency at 1 000 Hz
Löschdämpfung bei 1 000 Hz

≥ 60 dB

Svajning
Wow and flutter
Tonhörschwankung

± 0,35 %

Bandhastighet
Tape speed
Bandgeschwindigkeit

4,75 cm/s

Hastighetsavvikelse
Speed deviation
Geschwindigkeitsabweichung

± 2,0 %

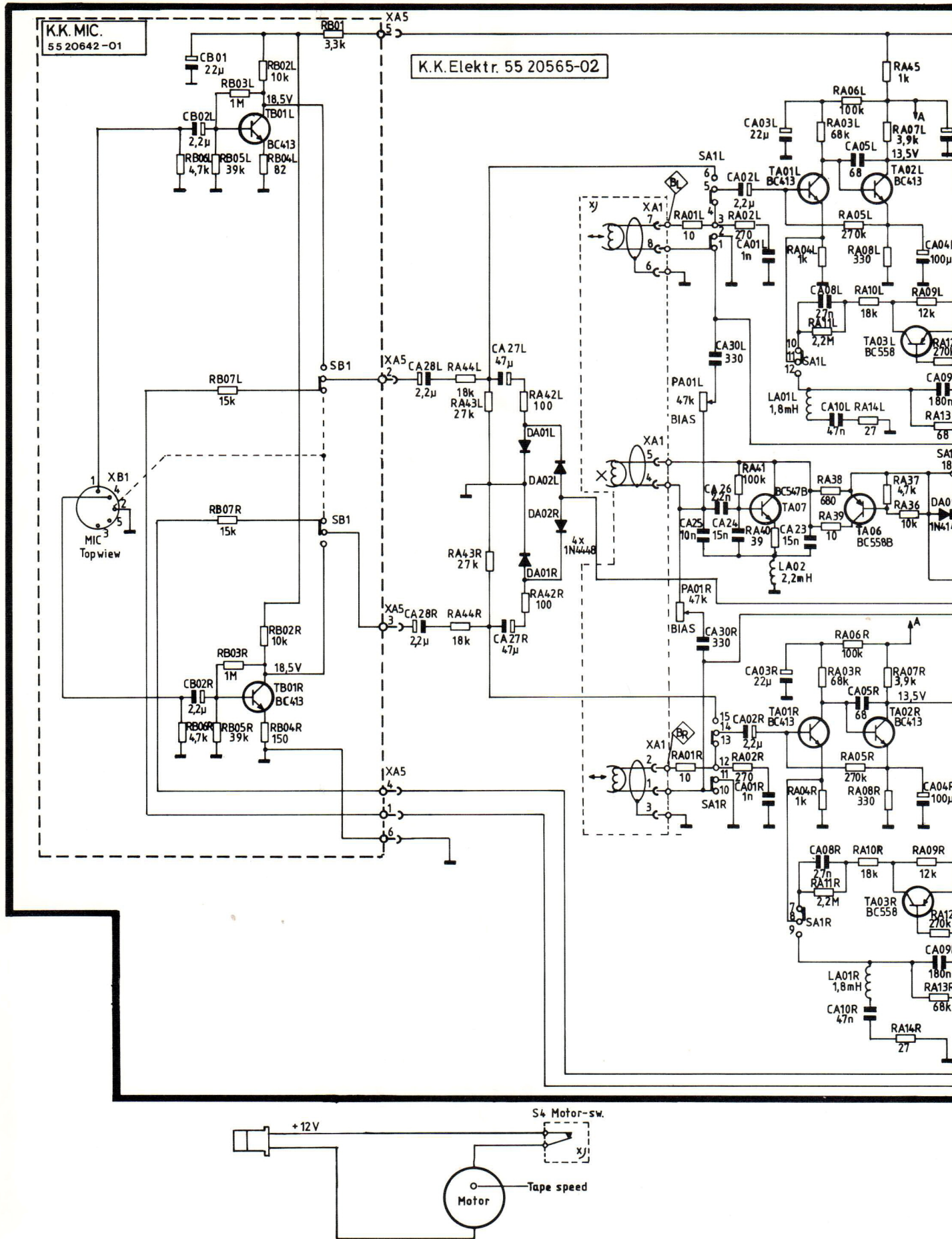
Snabbspolning
Fast wind
Schnellspulung

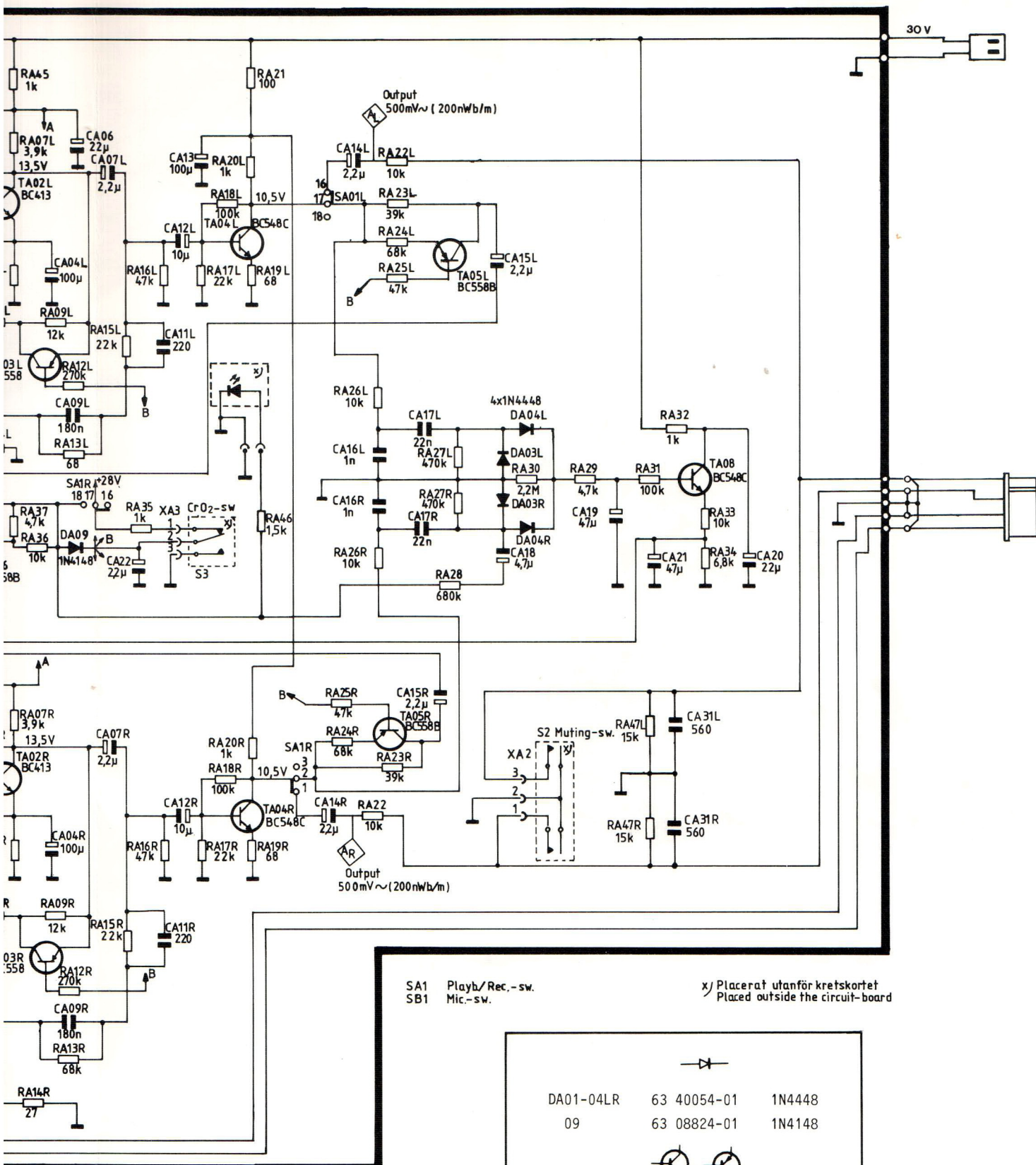
90 s (C-60)

KOPPLINGSSCHEMA
KASSETTDEL

CIRCUIT DIAGRAM
CASSETTE UNIT

SCHALTSCHEMA
CASSETTEN-TEIL

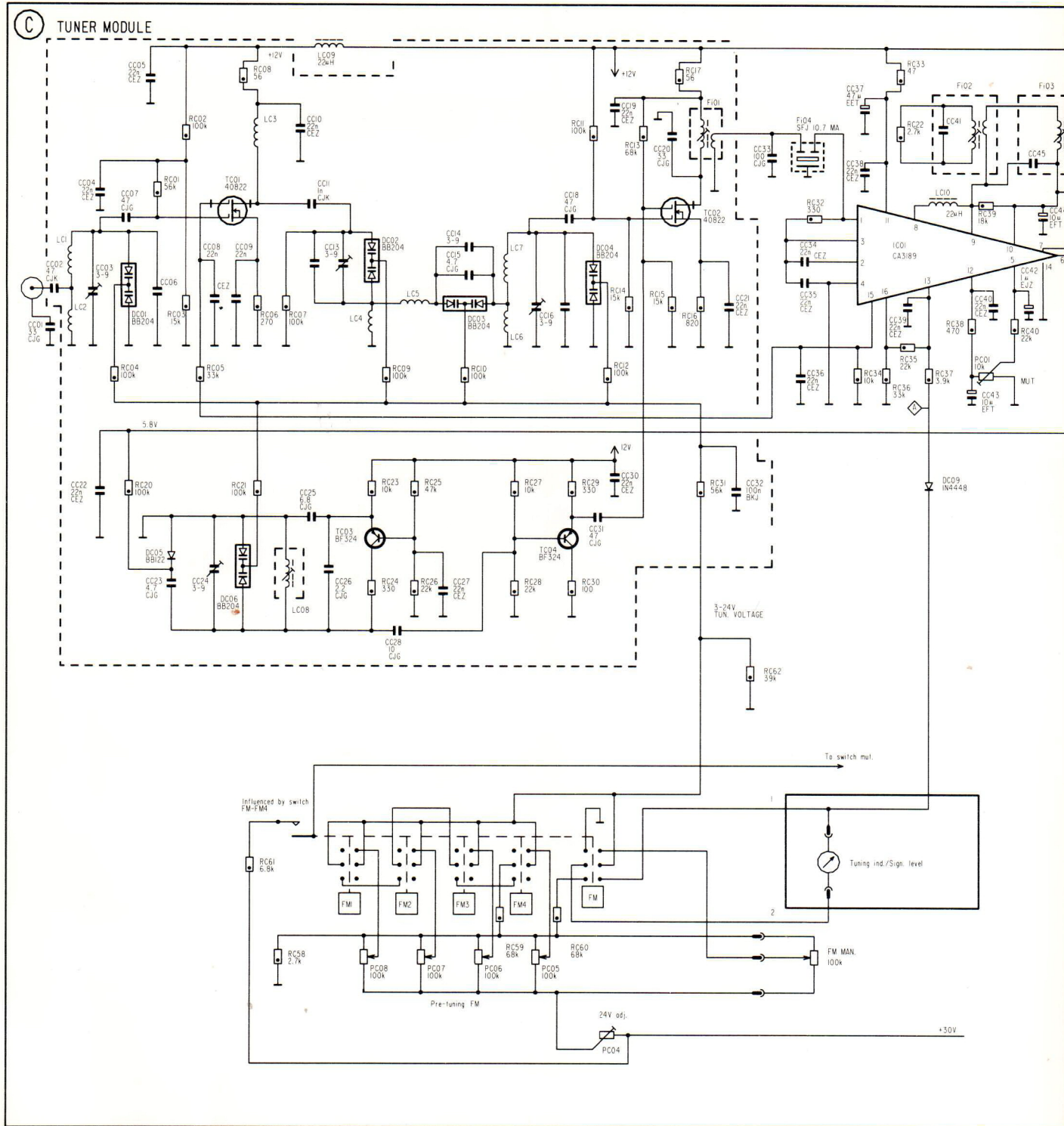




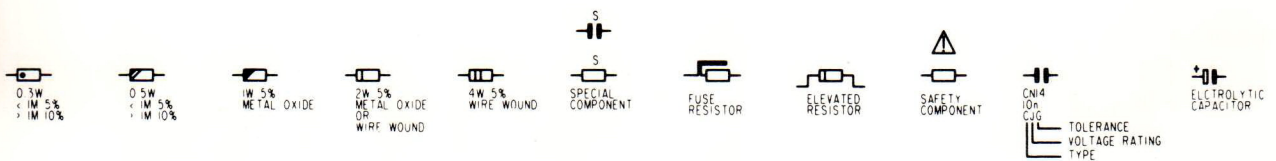
SA1 Playb/Rec.-sw. x/ Placerat utanför kretskortet
 SB1 Mic.-sw. Placed outside the circuit-board

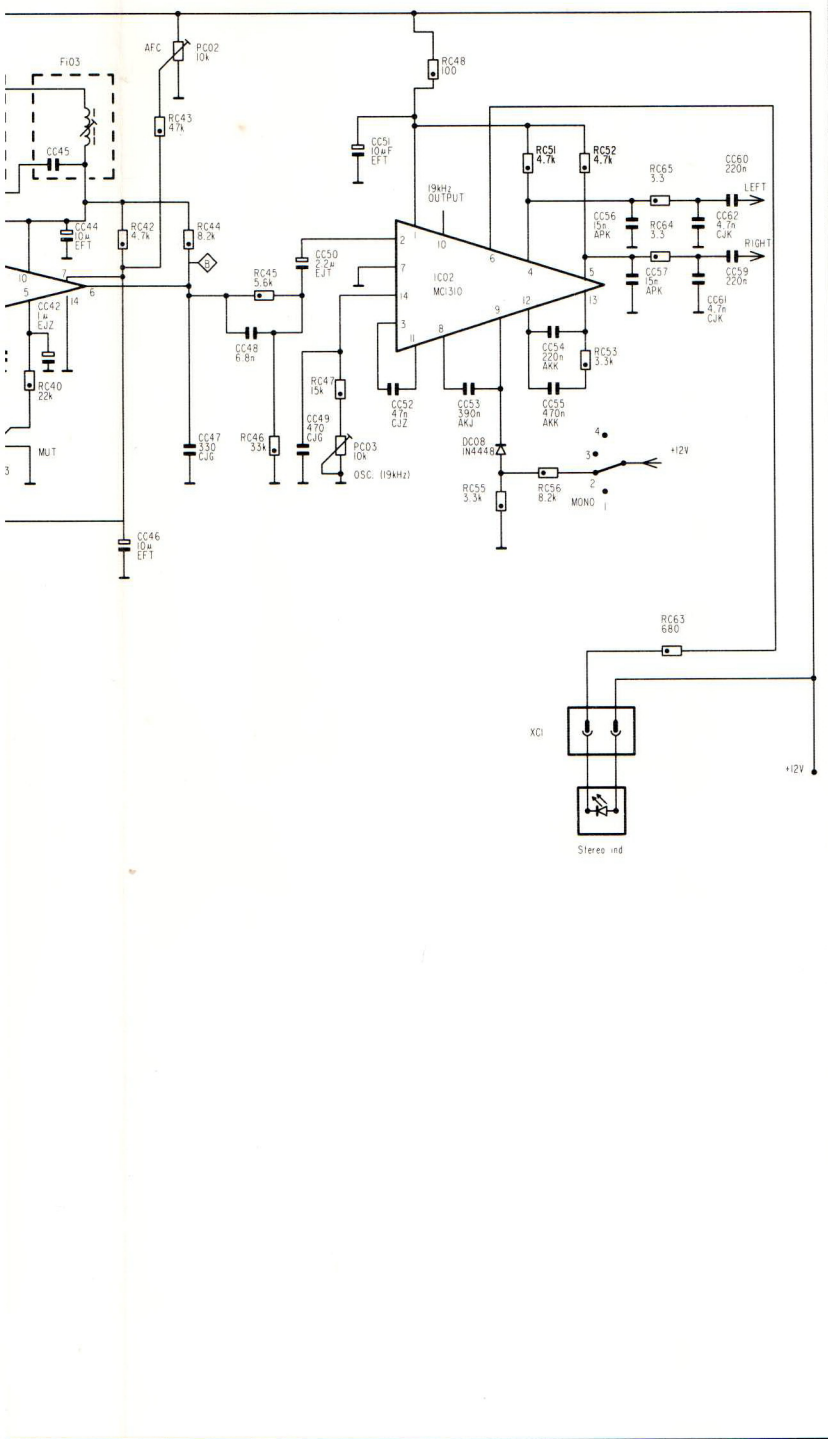
LA01LR	59 00226-01	1.8mH
02	59 00222-01	2.2mH
PA01LR	61 17705-01	47kΩ

DA01-04LR	63 40054-01	1N4448
09	63 08824-01	1N4148
TA01-02LR	63 10051-01	BC413C
03LR	63 10041-01	BC558B
04LR	63 10021-01	BC548C
05LR	63 10041-01	BC558B
06	63 10041-01	BC558B
07	63 10011-01	BC547B
08	63 10021-01	BC548C
TB01LR	63 10051-01	BC413C



COMPONENT SYMBOLS





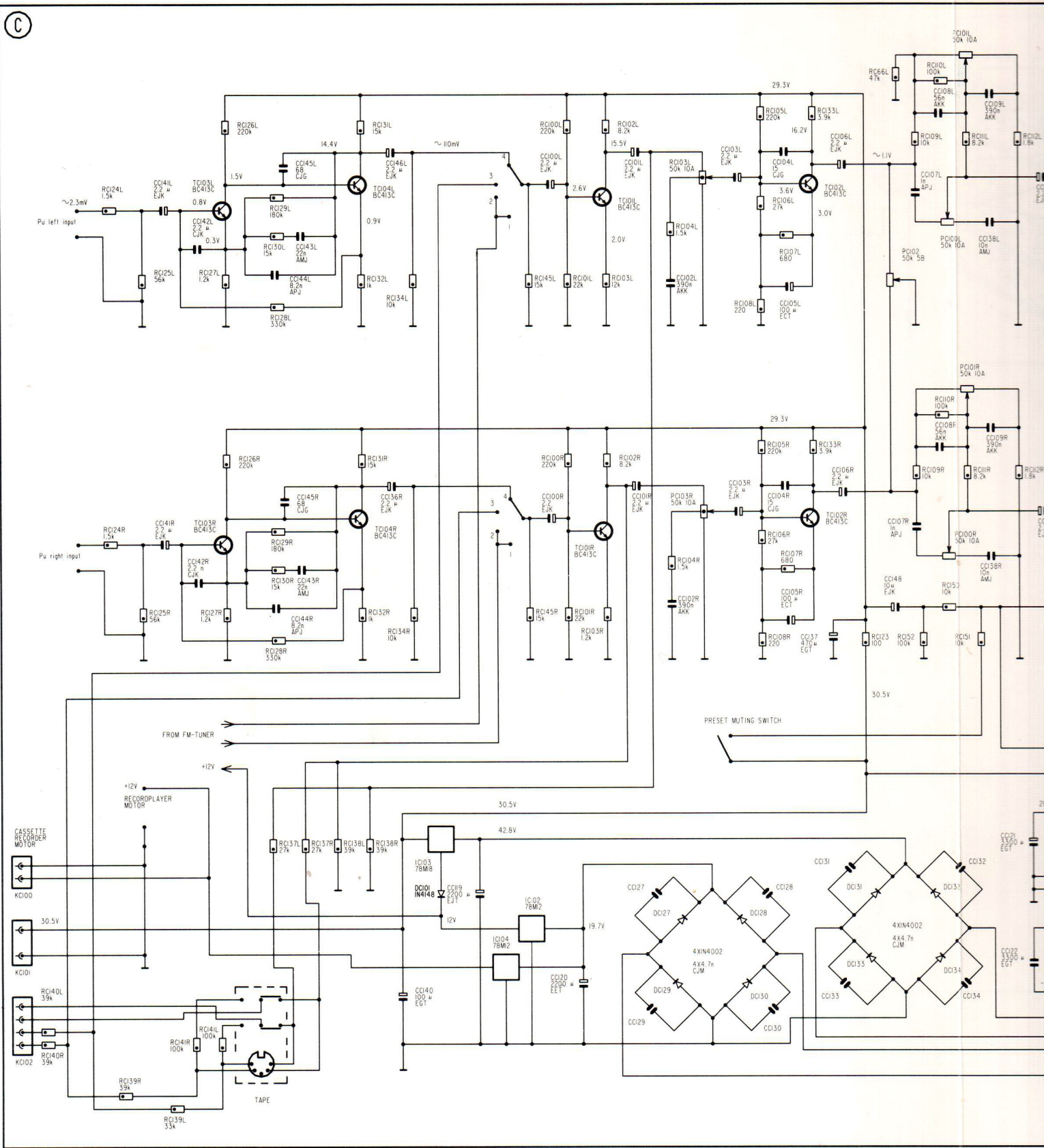
		IC01	64 00032-01	CA3189
		02	64 10004-01	MC1310P
		TC01-02	63 00020-01 59 57502-01	40822 Ferrit pearl
		03-04	63 00021-01	BF324
		DC01-04, 06	63 08865-03	BB204
		05	63 41315-02	BB122
		08-09	63 40054-01	1N4448
		Stereo ind	63 50004-01	LED green
		PC01-04 05-08 FM MAN	61 17961-01 61 70079-01 61 70029-01	10kΩ, 0.1W 100kΩ 100kΩ Tuning
		S101-102 103 104	65 89567-01 65 83974-01 65 83975-01	T3.15A T400mA T630mA
		LC01,03 02 05 07 08 09 10	59 10090-01 59 10095-01 59 10091-01 59 10092-01 59 00244-01 59 00221-01 59 00242-01	RF-coil Antenna coil RF-coil RF-coil Osc.coil Choke 22μH Choke 22μH
		Fi01 02 03 04	59 40363-01 59 40362-01 59 40361-01 63 90016-01	MF-filter Coil Coil Ceramic filter 10.7MHz

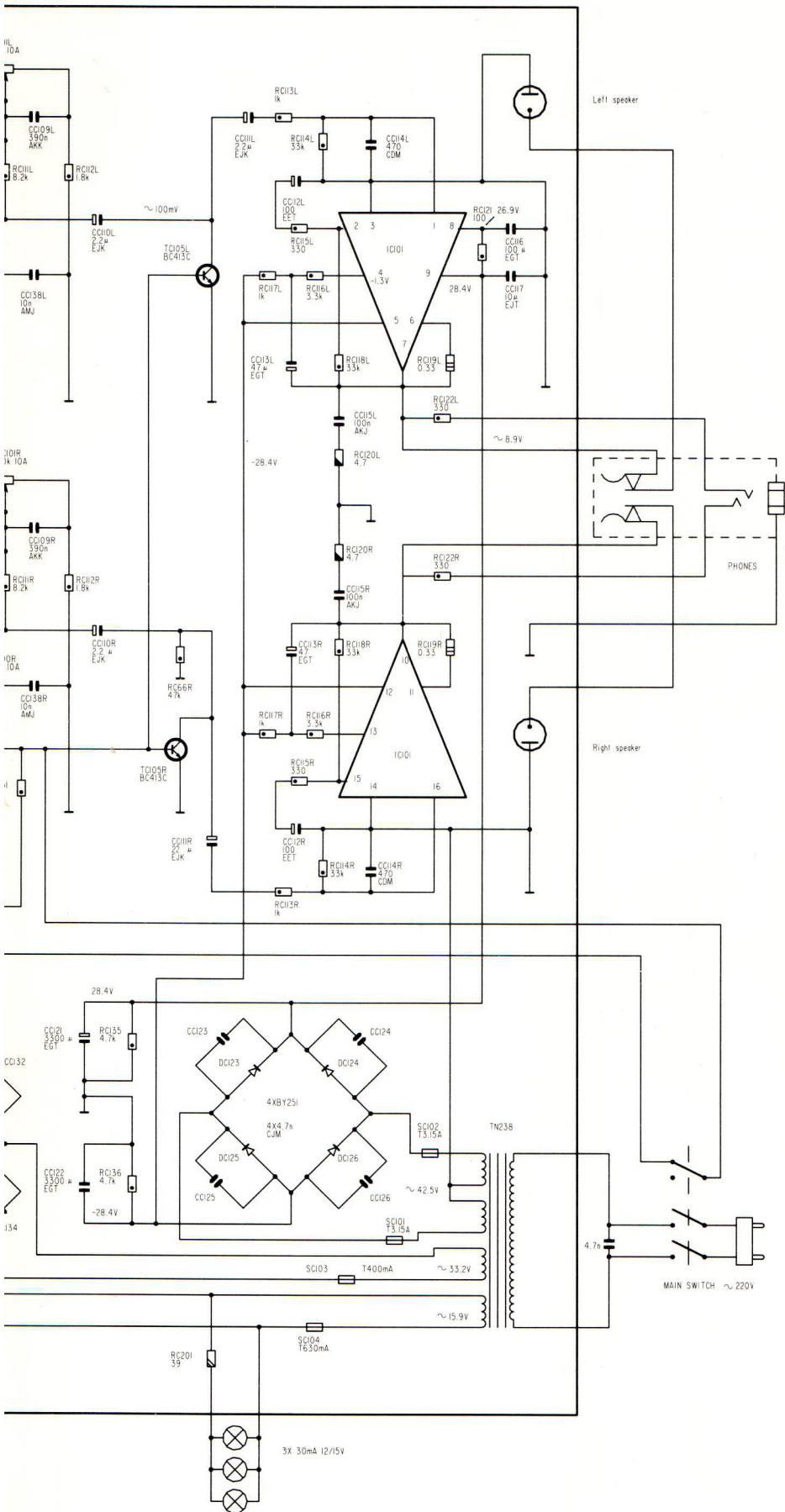
CAPACITOR CLASSIFICATION TABLE

TYPE	CODE	VOLTAGE RATING	CODE	VOLTAGE RATING	CODE	TOLERANCE	CODE
POLYESTER	A	3 V	A	250 V	M	1%	F
POLYCARBONATE	B	6	B	350	N	2	G
CERAMIC	C	10	C	385	O	2.5	H
POLYSTYRENE (STYROL)	D	16	D	400	P	5	J
ELECTROLYTIC	E	25	E	450	R	10	K
POLYPROPYLENE	F	35	F	500	S	20	M
MET. PAPER	P	40	G	630	T	-20+80	Z
TANTALUM	T	50	H	1000	U	-10+50	T
		63	J	1500	W	-10+75	X
		100	K	2000	X		
		160	L				

KOPPLINGSSCHEMA, FÖRSTÄRKARE
 CIRCUIT DIAGRAM, AMPLIFIER
 SCHALTSCHHEMA, VERSTÄRKER

(C)





- | | | | |
|-------|----|----------|--------------------|
| IC101 | 64 | 10022-01 | STK461 |
| 102 | 64 | 50006-01 | MC78M12 (12V/0.5A) |
| 103 | 64 | 50020-01 | MC78M18 (18V/0.5A) |
| 104 | 64 | 50019-01 | MC78M12 (12V/1A) |



- | | | | |
|---------------|----|----------|--------|
| TC101LR-105LR | 63 | 10051-01 | BC413C |
|---------------|----|----------|--------|



- | | | | |
|---------|----|----------|--------|
| DC101 | 63 | 08824-01 | 1N4148 |
| 123-126 | 63 | 40124-01 | 1N5401 |
| 127-134 | 63 | 40068-01 | 1N4002 |



- | | | | |
|----------|----|----------|---------|
| Rec. ind | 63 | 40071-03 | LED red |
|----------|----|----------|---------|



- | | | | |
|---------|----|----------|---------------|
| PC100LR | 61 | 70072-01 | 50kΩx2 Treble |
| 101LR | 61 | 70072-01 | 50kΩx2 Bass |
| 102 | 61 | 70074-01 | 50kΩ Balance |
| 103LR | 61 | 70073-01 | 50kΩx2 Volume |