

**LUXOR**

KOPPLINGSSCHEMA  
CIRCUIT DIAGRAM  
SCHALTSCHHEMA  
KYTKINKAAVA

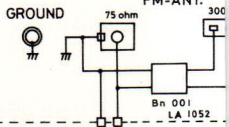
**SKANTIC**

15050821

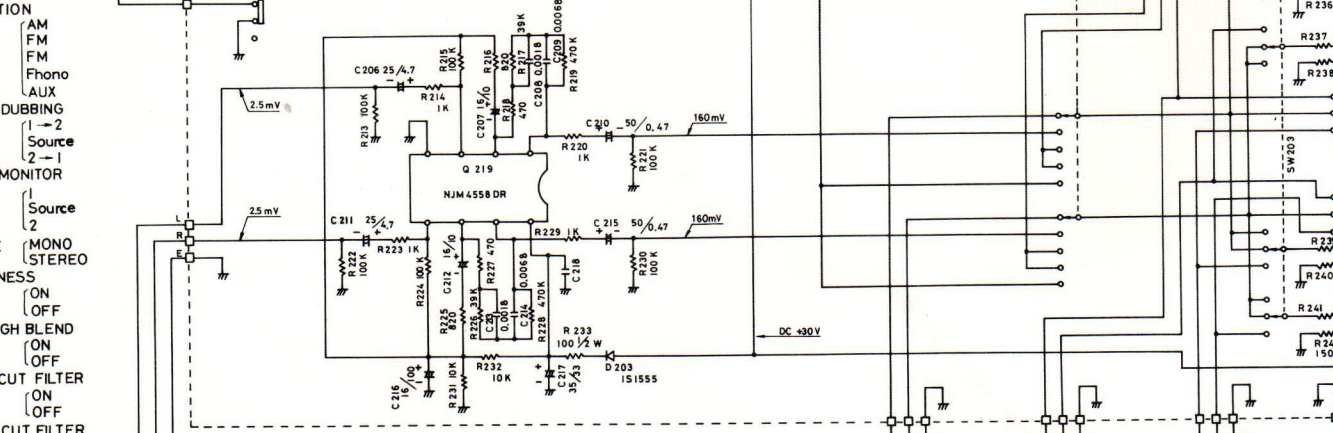
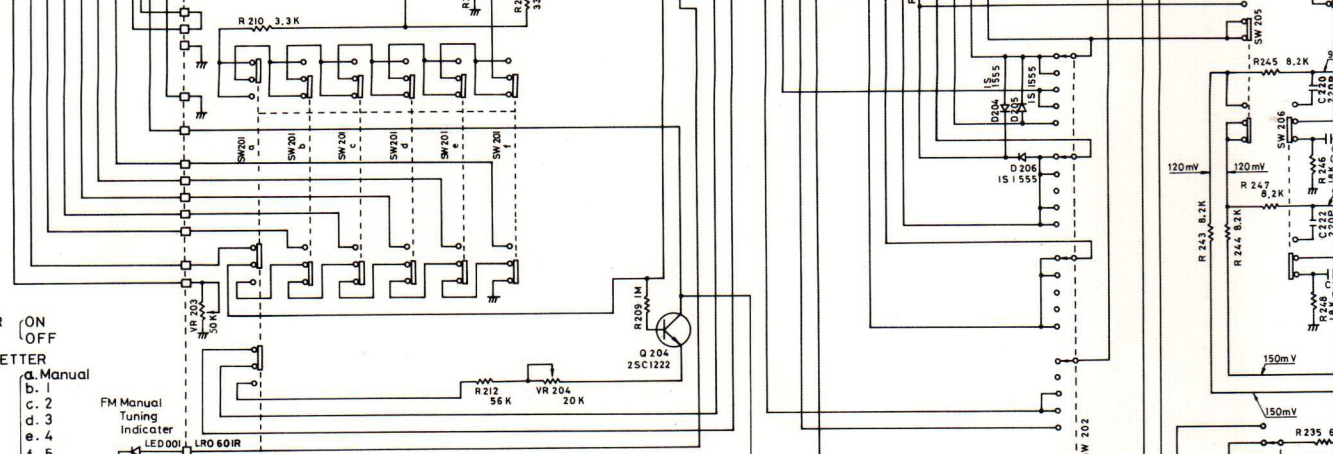
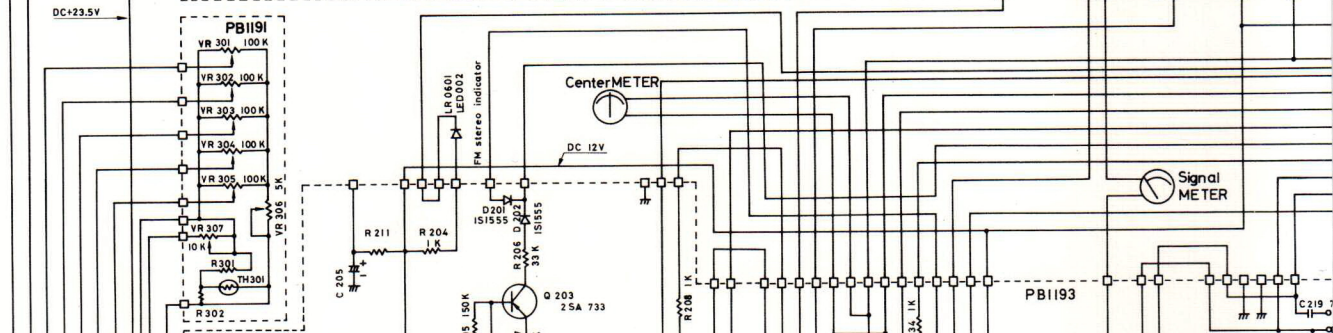
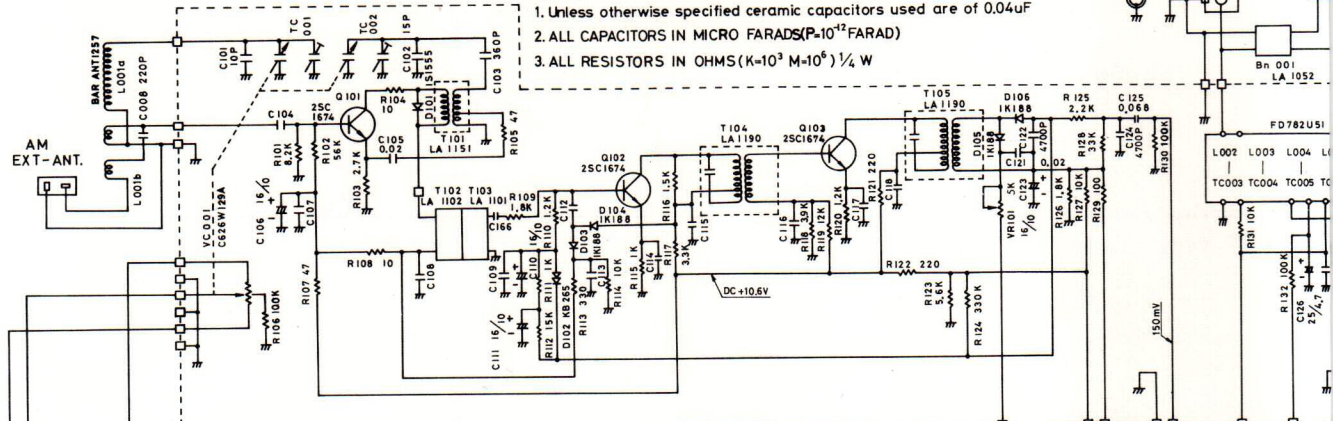
Ser. 1  
Sarja 1

15050822

Nov. 1978



- NOTES:
1. Unless otherwise specified ceramic capacitors used are of 0.04uF
  2. ALL CAPACITORS IN MICRO FARADS(P-10<sup>12</sup> FARAD)
  3. ALL RESISTORS IN OHMS(K-10<sup>3</sup> M-10<sup>6</sup>) 1/4 W



- SW001 POWER (ON/OFF)
- SW201 PRE SETTER
  - a. Manual
  - b. 1
  - c. 2
  - d. 3
  - e. 4
  - f. 5
- SW202 FUNCTION
  - AM
  - FM
  - FM
  - Phono
  - AUX
- SW203 TAPE DUBBING
  - 1 → 2
  - Source
- SW204 TAPE MONITOR
  - 2 → 1
- SW205 MODE
  - MONO
  - STEREO
- SW206 LOUDNESS
  - ON
  - OFF
- SW207 FM HIGH BLEND
  - ON
  - OFF
- SW208 HIGH CUT FILTER
  - ON
  - OFF
- SW209 LOW CUT FILTER
  - ON
  - OFF
- SW401 SPEAKER A
  - ON
  - OFF
- SW402 SPEAKER B
  - ON
  - OFF

PHONO

AUX

TAPE-1

TAPE-2

