

SERVICE MANUAL

SKANTIC

LUXOR

Mars
March 1980
März



TYPE
150 5593

DATA

FM-DEL

Frekvensområde
Wave ranges
Frequenzbereich

Känslighet
Sensitivity
Empfindlichkeit

Störavstånd
Signal/noise ratio
Störabstand

Distorsion
Distortion
Klirrfaktor

Frekvensomfång
Frequency range
Frequenzumfang

Kanalseparation
Channel separation
Kanaltrennung

Pilottonsdämpning
Pilot tone suppression
Pilottondämpfung

TUNER SECTION

Stereo

19 kHz, 38 kHz

UKW-TEIL

87 - 108 MHz

20 μ V

60 dB

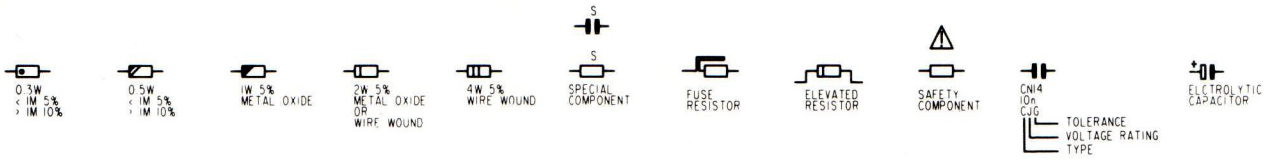
0,3 %

20 - 15 000 Hz

30 dB

60 dB

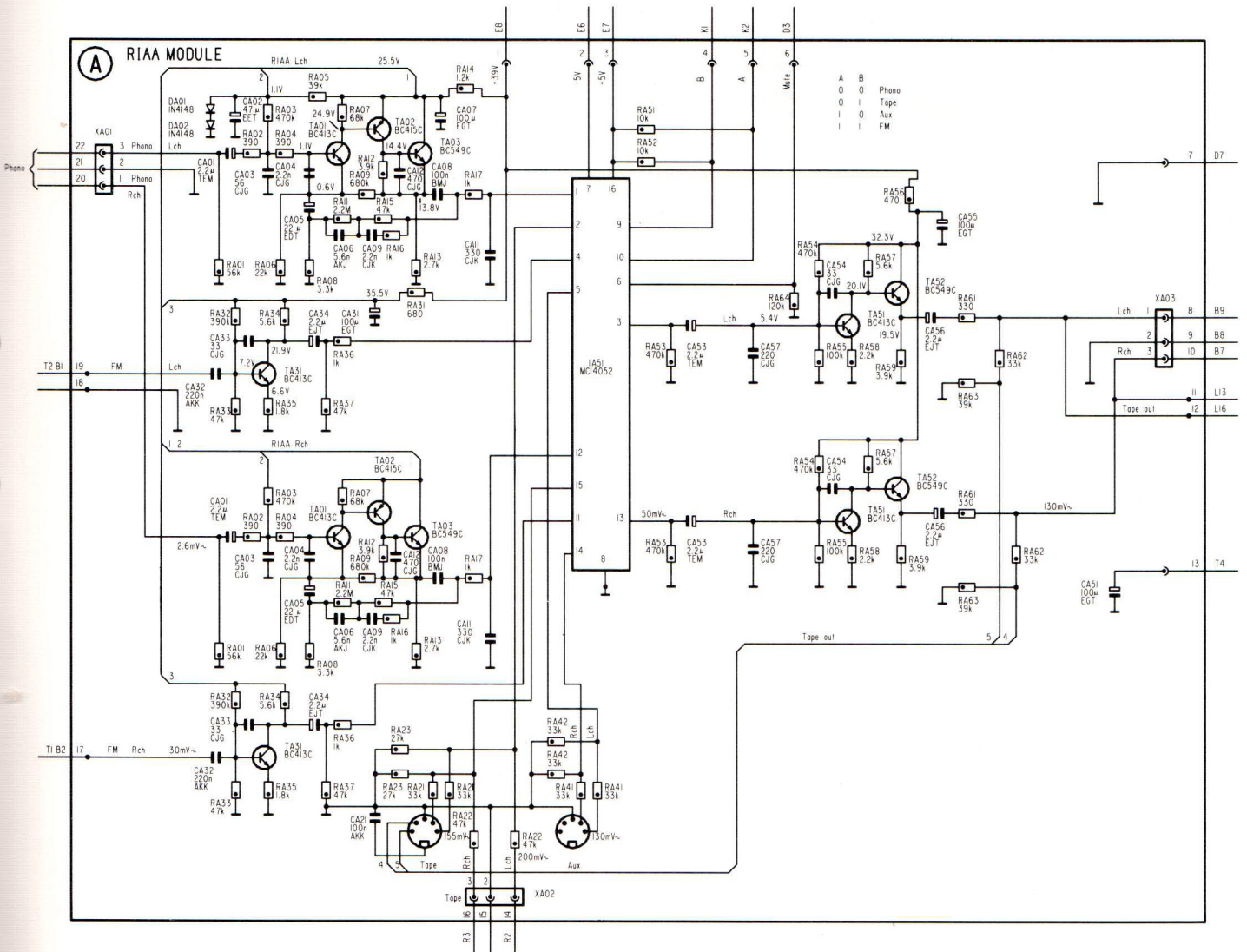
COMPONENT SYMBOLS

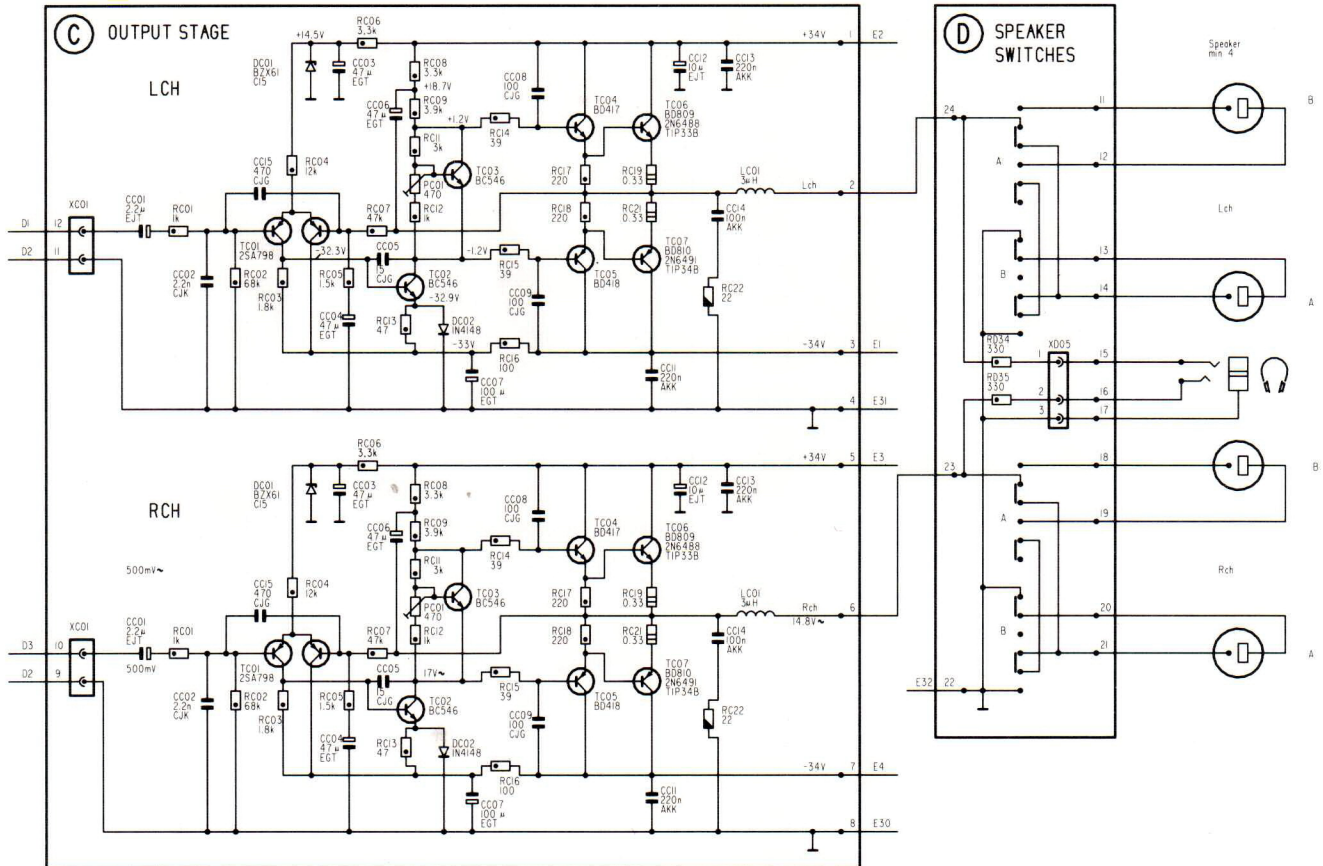
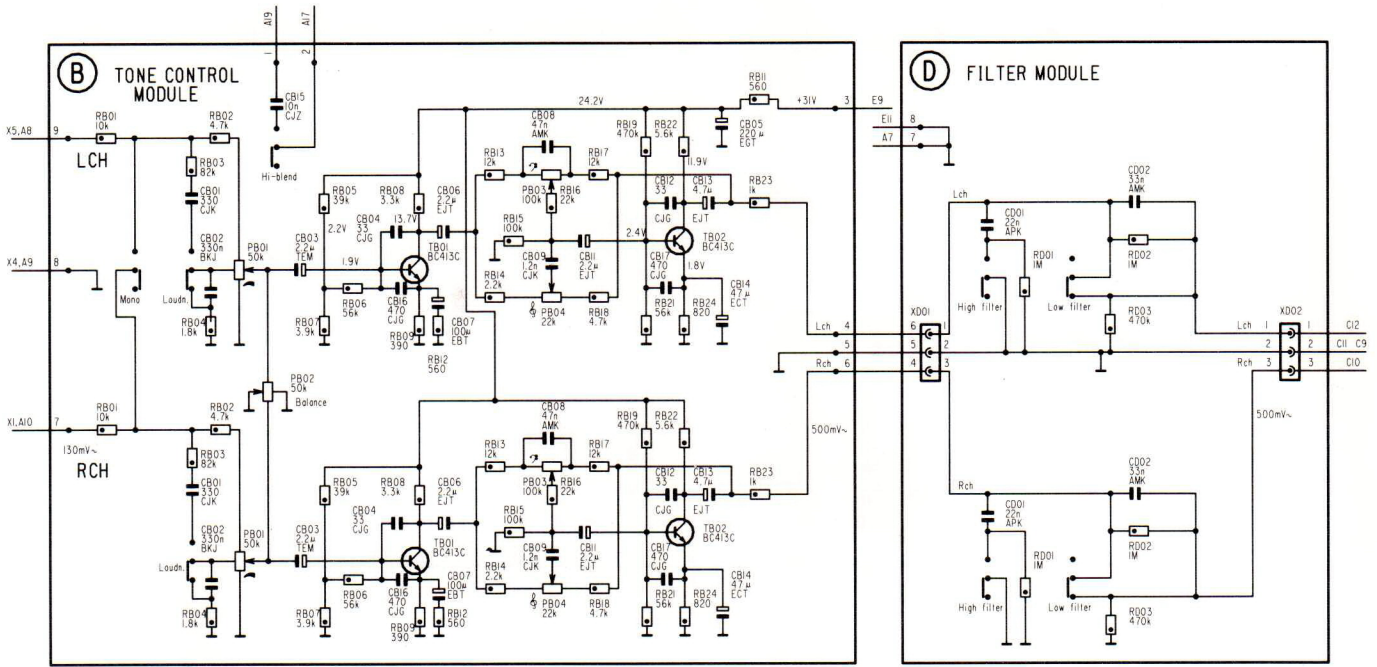


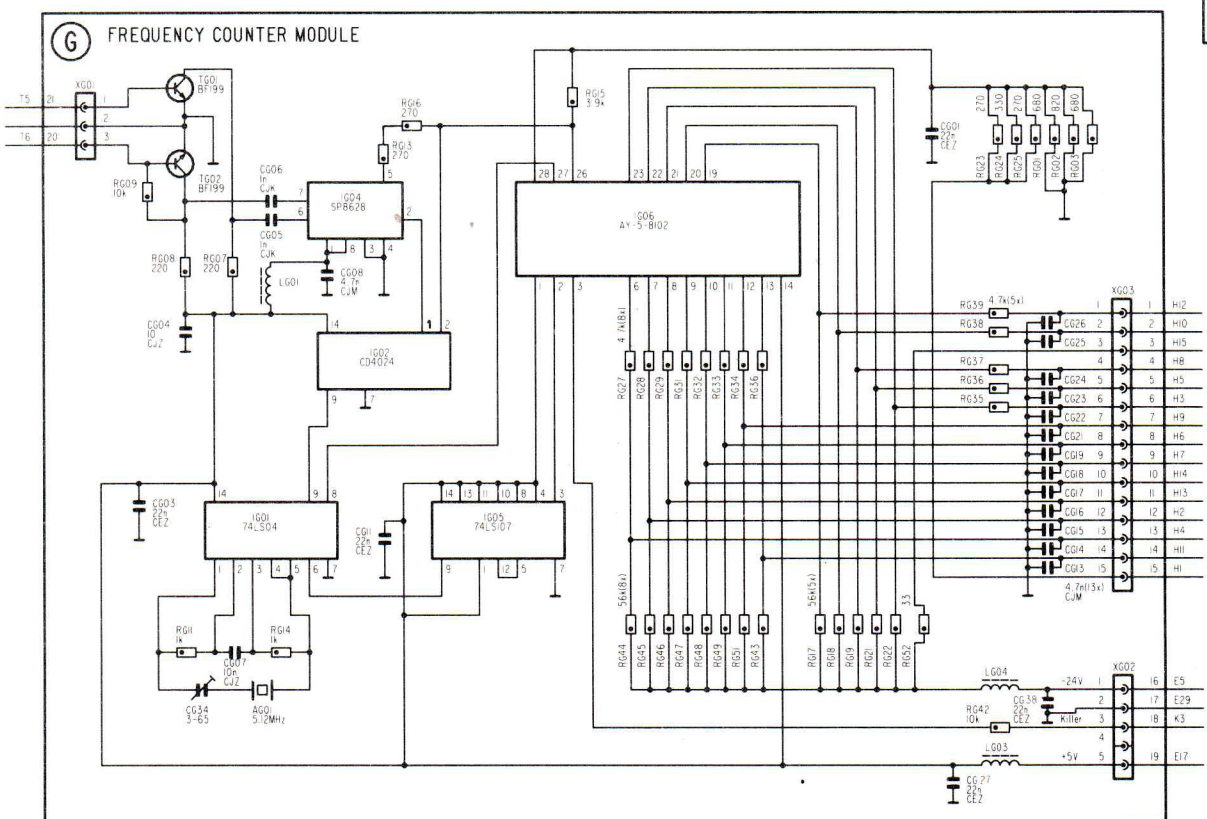
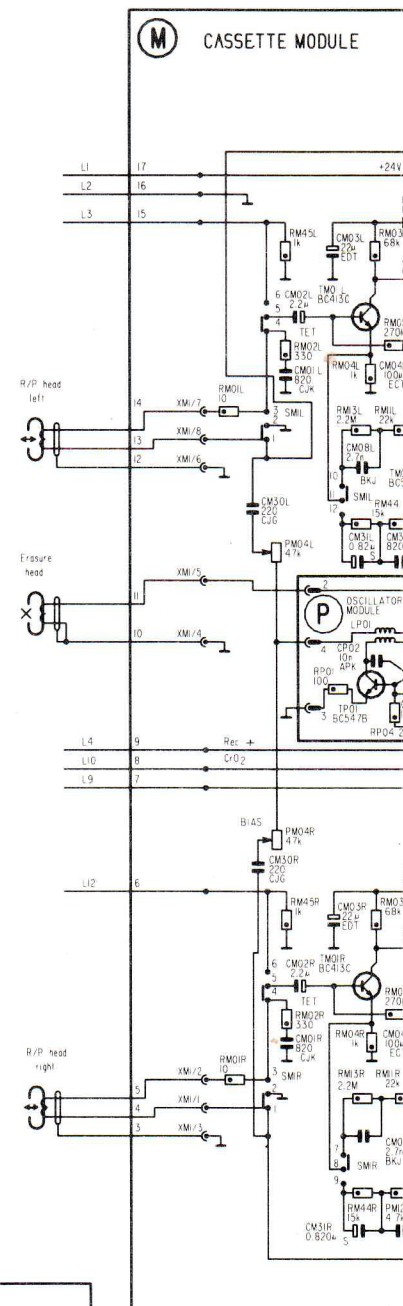
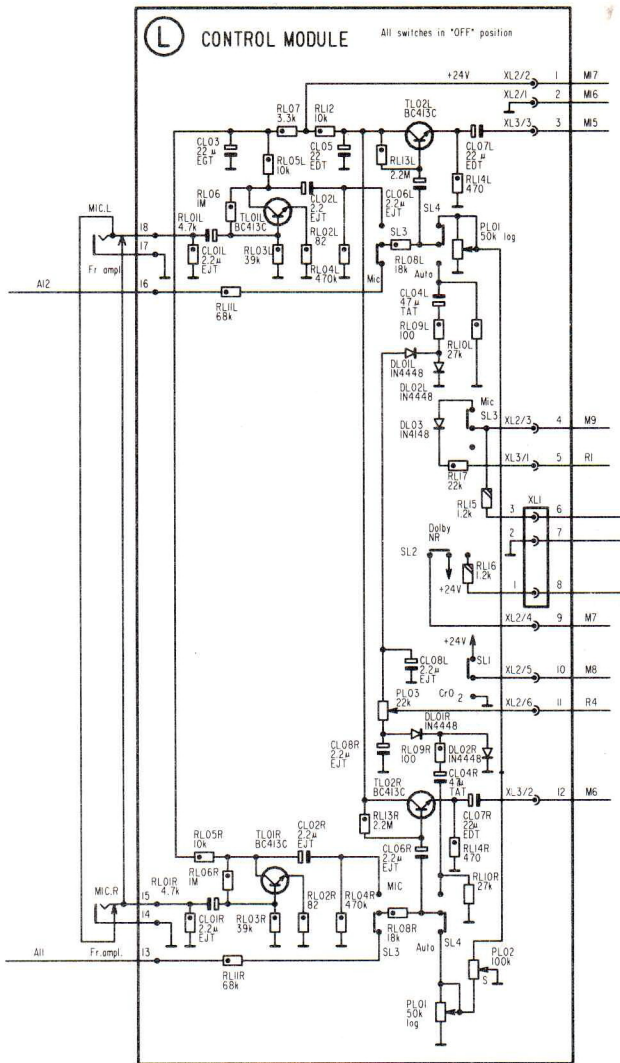
CAPACITOR CLASSIFICATION TABLE

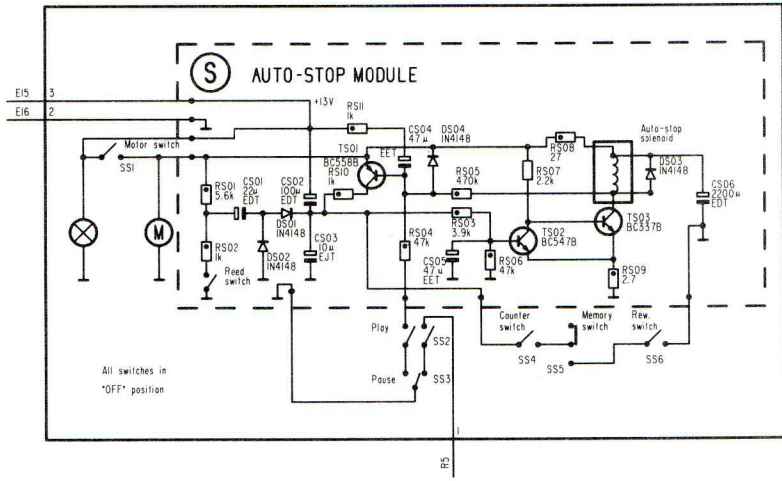
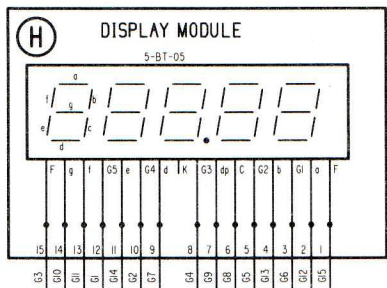
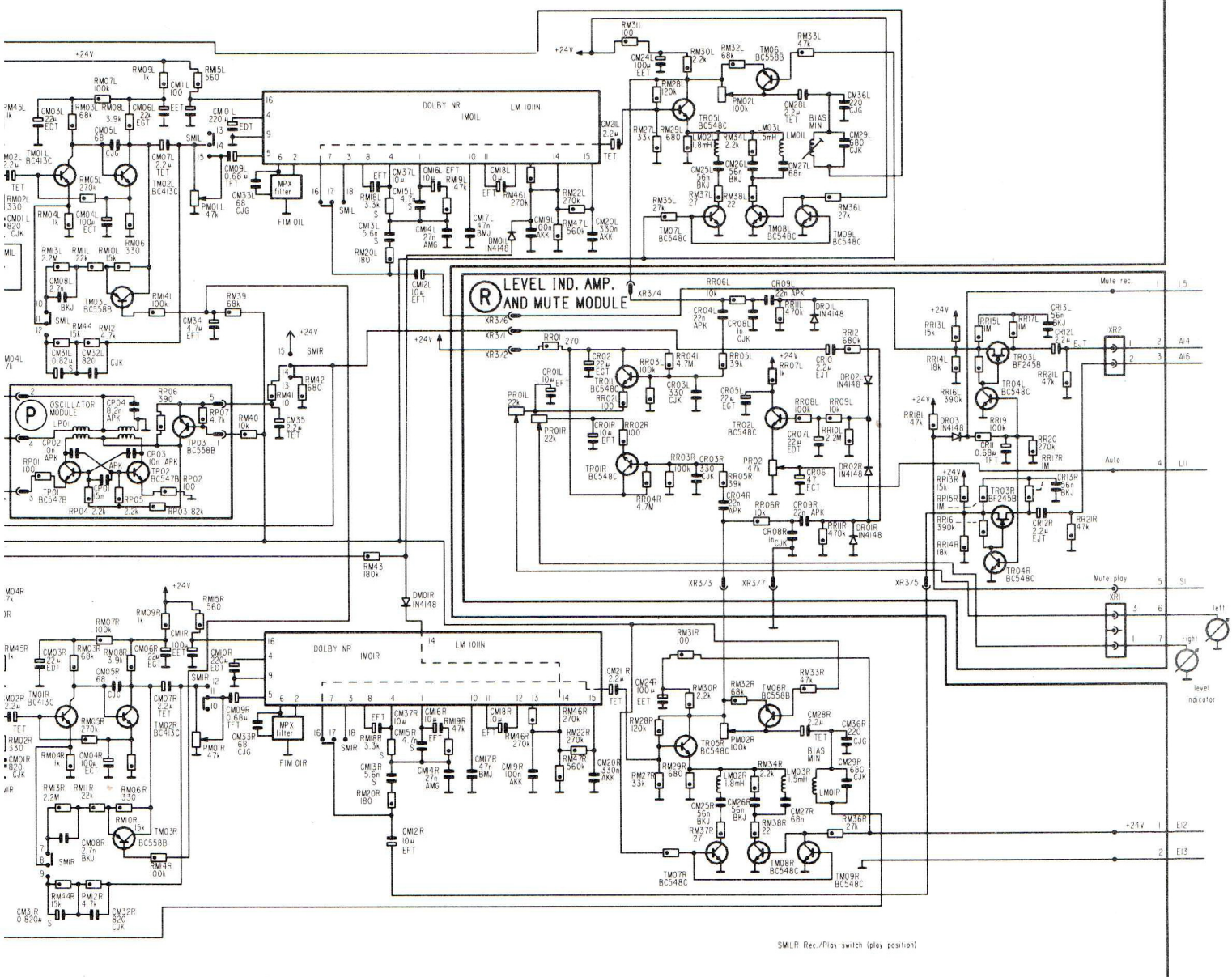
TYPE	CODE	VOLTAGE RATING	CODE	VOLTAGE RATING	CODE	TOLERANCE	CODE
POLYESTER	A	3 V	A	250 V	M	1%	F
POLYCARBONATE	B	6	B	350	N	2	G
CERAMIC	C	10	C	385	O	2.5	H
POLYSTYRENE (STYROL)	D	16	D	400	P	5	J
ELECTROLYTIC	E	25	E	450	R	10	K
POLYPROPYLENE	F	35	F	500	S	20	L
MET. PAPER	G	40	G	630	T	-20+80	M
TANTALUM	H	50	H	1000	U	-10+50	N
	I	63	I	1500	V	-10+75	O
	J	100	J	2000	W		P
	K		K		X		Q
	L		L				R

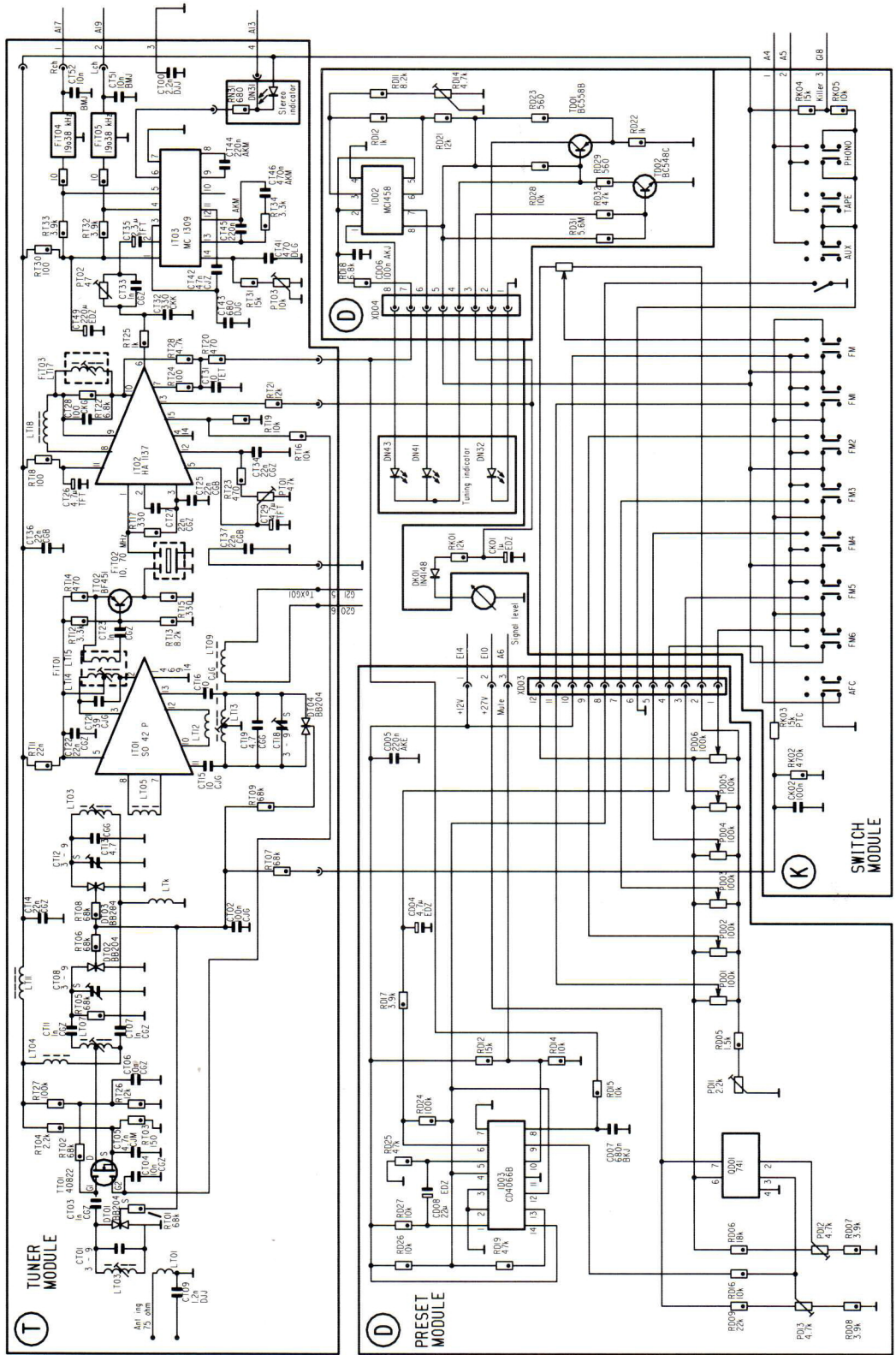
CIRCUIT DIAGRAM

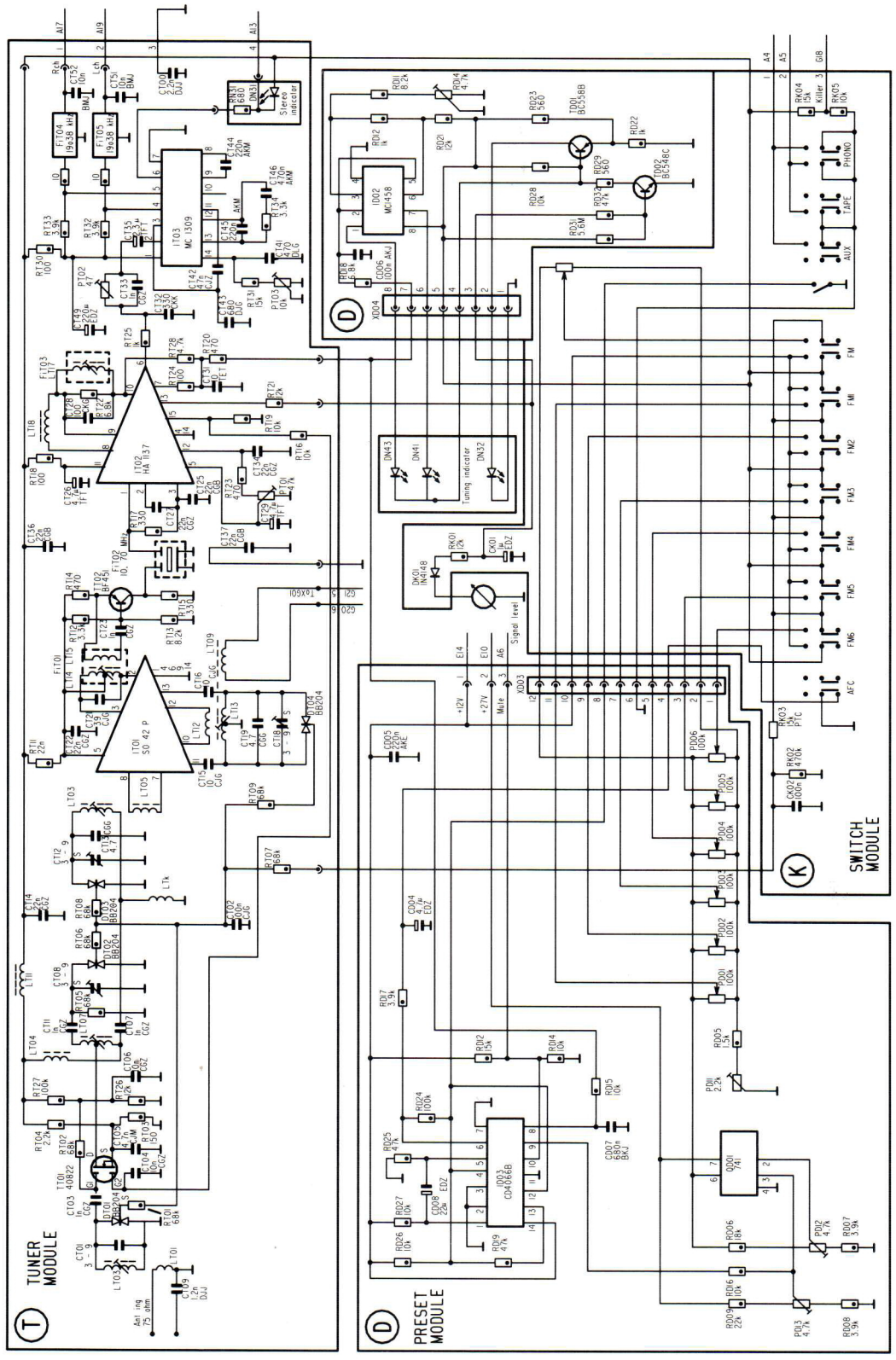


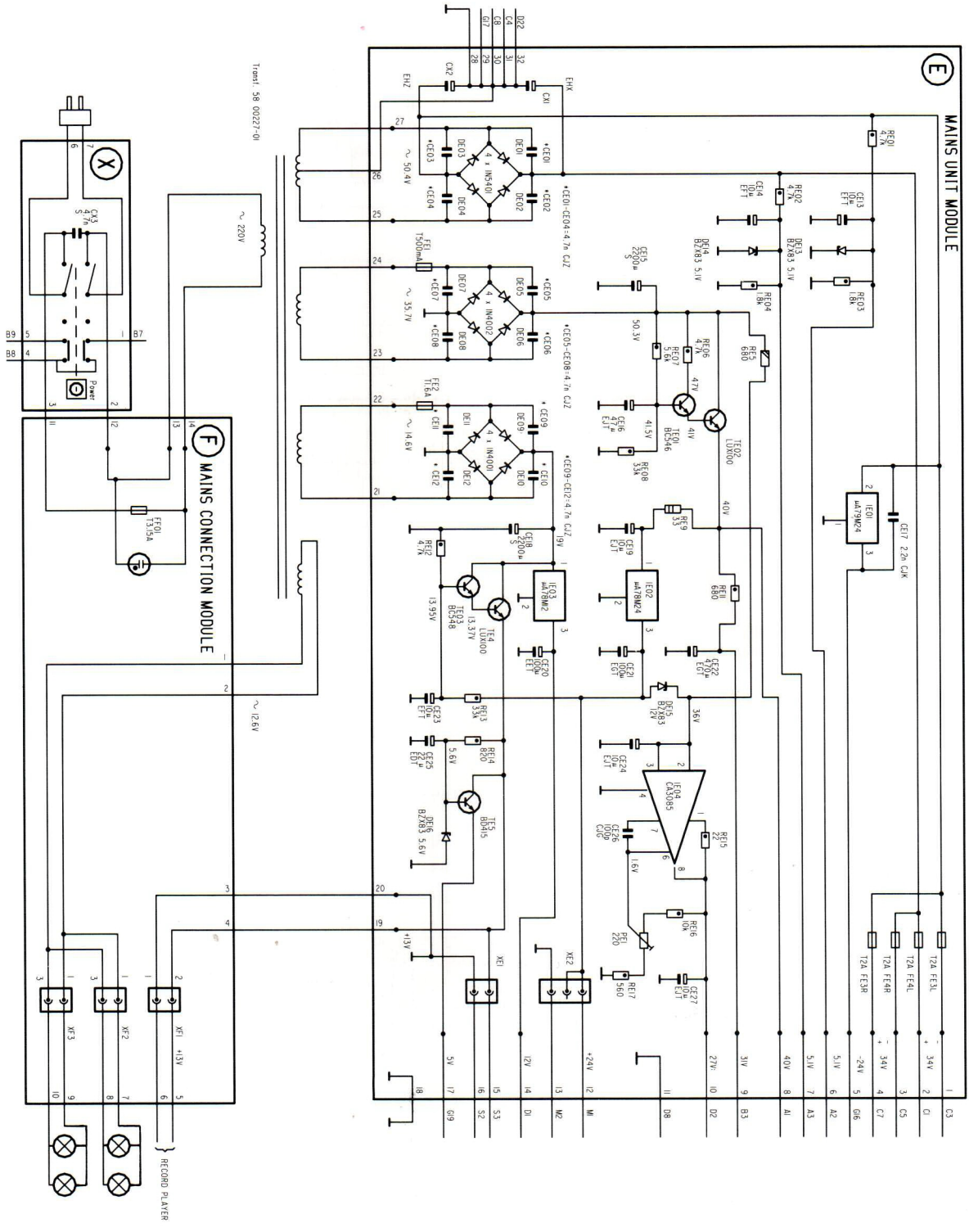












(E)

MAINS UNIT MODULE

(F) MAINS CONNECTION MODULE

RECORD PLAYER

Transf. 58 00227-01