

# SERVICE MANUAL

SKANTIC

LUXOR

8101

## TYPE 150 6004



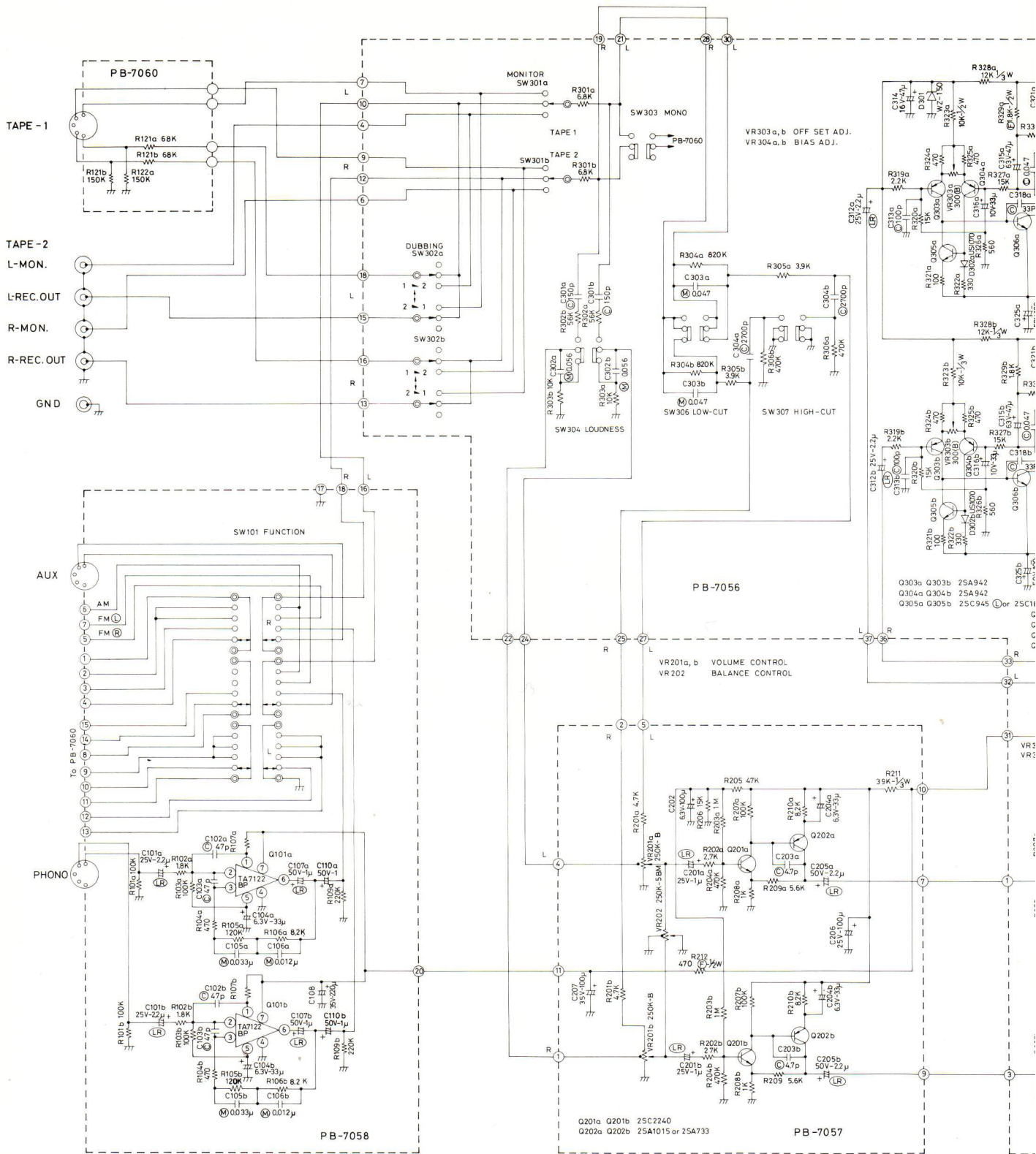
### FÖRSTÄRKARDEL AMPLIFIER UNIT

Driftspänning Mains voltage	220 V, 50 Hz
Uteffekt Power output	4Ω 2 x 60 W 8Ω 2 x 45 W
Distorsion Distortion	(20-20 000 Hz) 0.09 %
Internmodulation	SM PTE 0.05 %
Bandbredd Band width	IEC 10-30 000Hz
Signal/brusförhållande Signal/noise ratio	IEC 80/95 dB
Tonkontroll Tone control	10 kHz ± 10 dB 100 Hz ± 10 dB
Low filter High filter	- 3 dB (80 Hz) -10 dB (10 kHz)
Ingångar Inputs	Phono 2,5 mV/47kΩ Tape 125 mV/47kΩ Aux 125 mV/47kΩ
Utgångar Outputs	Speakers 4 - 16 Ω Tape 1 90 mV/40kΩ Tape 2 125 mV/0,3kΩ Phones jack 6,3 mm

### RADIODEL TUNER UNIT

Våglängdsområden FM Wave ranges	87,5 - 108 MHz
Signal/brusförhållande Signal/noise ratio	65 dB
Distorsion Stereo Distortion	0.2 %
Frekvensomfång Frequency range	20 - 15 000 Hz
Kanalseparation Channel separation	40 dB
Känslighet Mono/Stereo Sensitivity	1,5 μV/20 μV
AM-undertryckning AM-suppression	45 dB
Pilottonundertryckning Pilot tone suppression	55 dB

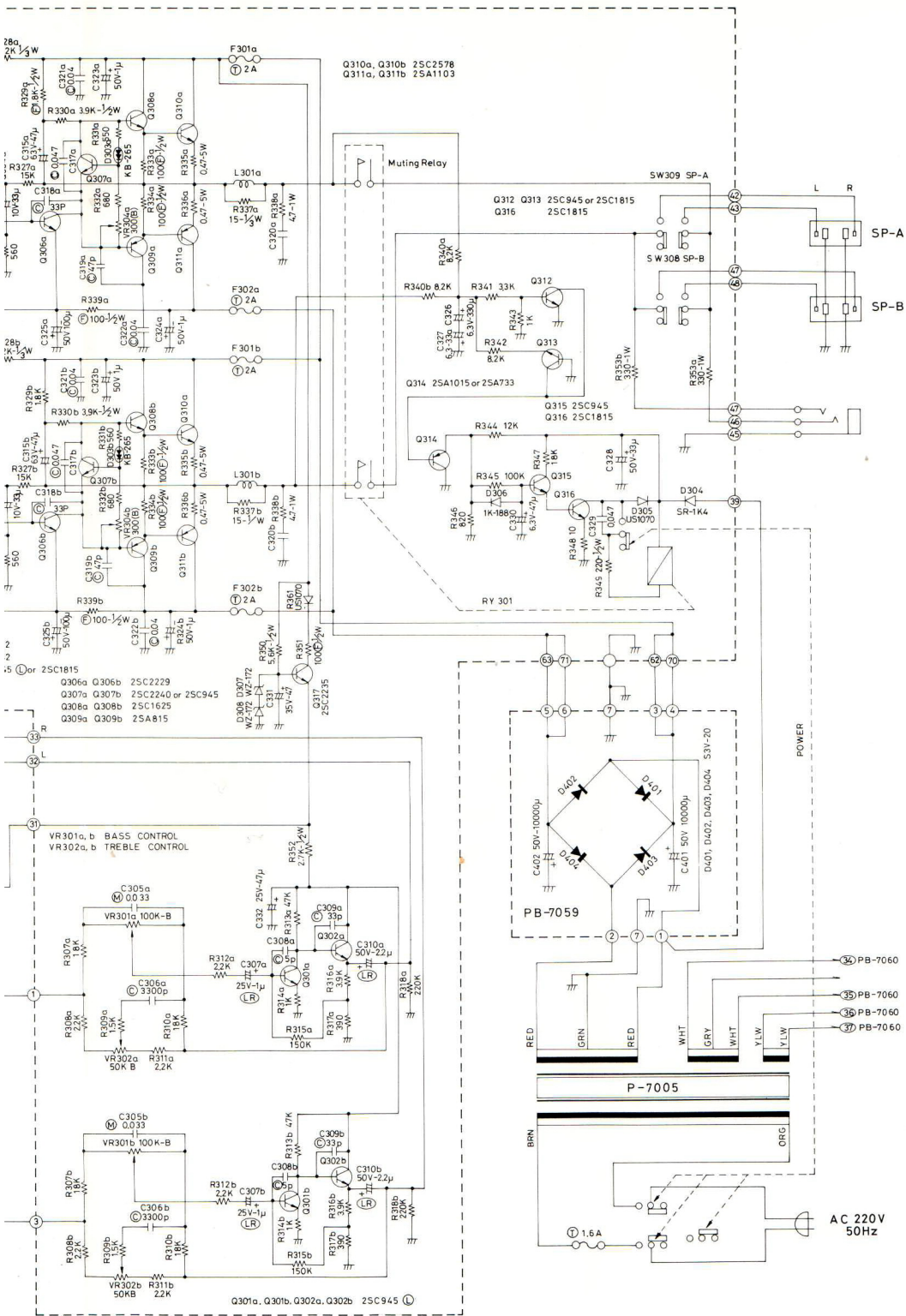
# FÖRSTÄRKARDEL AMPLIFIER UNIT



Q201a, b	63 10106-01	2SC2240
Q202a, b	63 10100-01	2SA1015
Q301a, b	63 00031-01	2SC945
Q302a, b		
Q305a, b		
Q312, 313, 315		
Q303a, b		
Q304a, b	63 10112-01	2SA942
Q306a, b	63 10107-01	2SC2229
Q307a, b	63 10106-01	2SC2240
Q308a, b	63 20066-01	2SC1625
Q309a, b	63 20065-01	2SA815
Q310a, b	63 20068-01	2SC2578
Q311a, b	63 20067-01	2SA1103
Q314	63 10100-01	2SA1015
Q316	63 10113-01	2SC1815
Q317	63 10110-01	2SC2235

Q101a, b	64 10041-01	TA7122
D301	63 40169-01	BZX79C15
Q302a, b	63 40184-01	US1070
Q305		
Q303	63 40107-01	Varistor KB265
Q304	63 40068-01	1N4002
Q306	63 40186-01	1K188
Q307, 308	63 40196-01	WZ172
Q401-404	63 40135-01	S3V-40

SW101	56 30082-01	Function (slide)
301	56 30083-01	Monitor
302	56 30084-01	Dubbing
303-307	56 40093-01	Filter
308, 309	56 40094-01	Speaker
	56 00041-01	Power

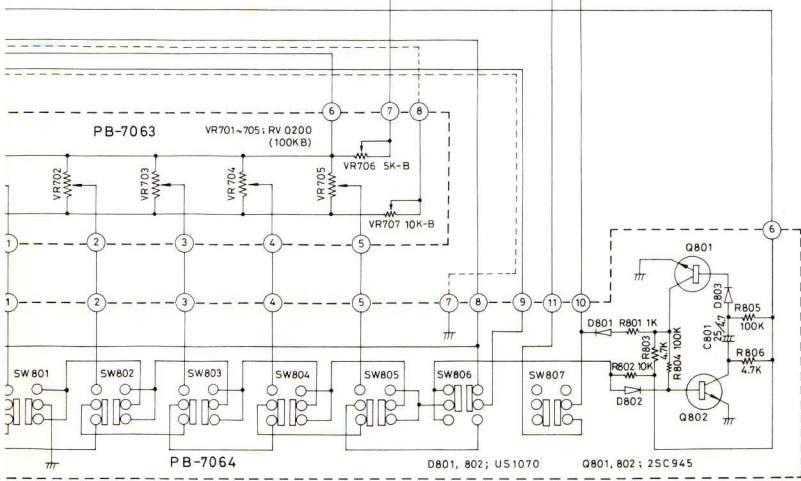
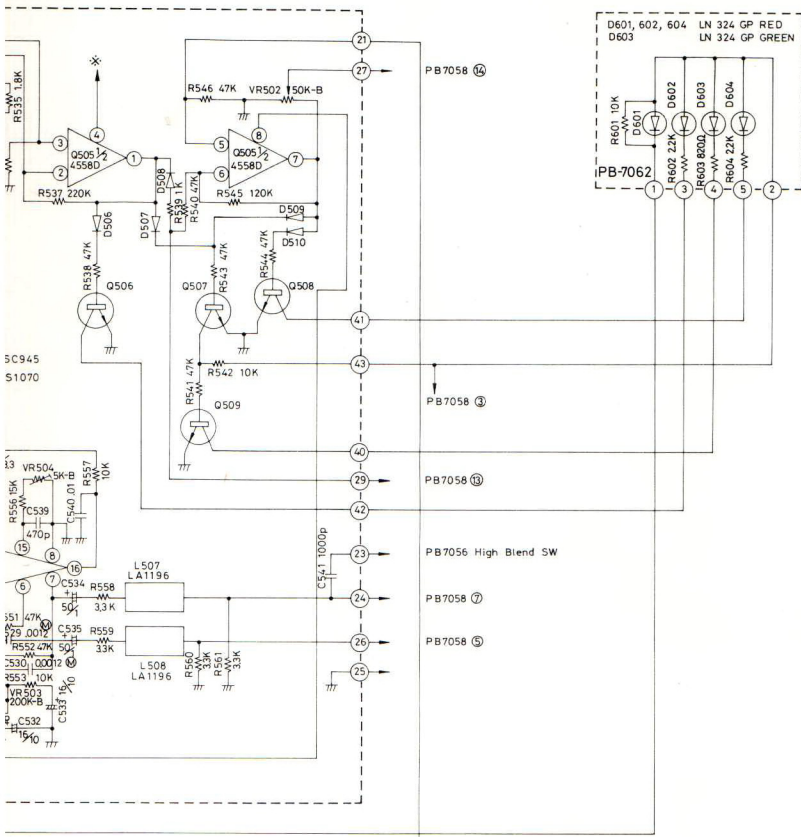


Function switch (slide)	L301a,b	59 91104-01	Choke 2μH		
Monitor switch				VR201a,b	61 70090-01 Volume 250Ω
Dubbing switch				202	61 70089-01 Balance 250Ω
Filter switch				301a,b	61 70091-01 Bass 100Ω
Speaker switch				302a,b	61 70092-01 Treble 50Ω
Power switch	RY301	60 20025-01	Relay 24V		



NOTES

1. ALL RESISTORS IN OHM K 10<sup>3</sup>, M 10<sup>6</sup>
2. ALL CAPACITORS IN MICRO FARAD, P 10<sup>12</sup> FARAD



	L502,503	6390032-01	SFE10.7μA (Ceramic filter)
	L504	59 91108-01	Choke S220J
	505	59 91111-01	FM LA5021
	506	59 91112-01	FM LA5022
	507,508	59 91109-01	Low pass filter
	509	59 91106-01	AM LA1098
	510	59 91105-01	AM LA1073
	511	59 91107-01	AM LA1100
	62	70006-01	Varicap with VR
	63	90033-01	X-tal 6.5536 MHz

	63	40184-01	US1070
	63	40107-01	Varistor KB265
	63	40111-01	ZPD13
	63	40187-01	S1VB100
	63	40034-01	ZPD12
	63	40077-01	ZPD5,6
	63	40068-01	1N4002
,64	63	50021-01	LED red
	63	50020-01	LED green
	63	08824-01	1N4148
,904	63	40184-01	US 1070
	63	08746-01	ZPD3,3

	SW801-807	56	40092-01	Preset, Muting off
	VR701-705	61	70093-01	Preset 100kΩ