

LUXOR

KOPPLINGSSCHEMA
CIRCUIT DIAGRAM
SCHALTSCHHEMA
KYTKINKAAVA

SKANTIC

11070821

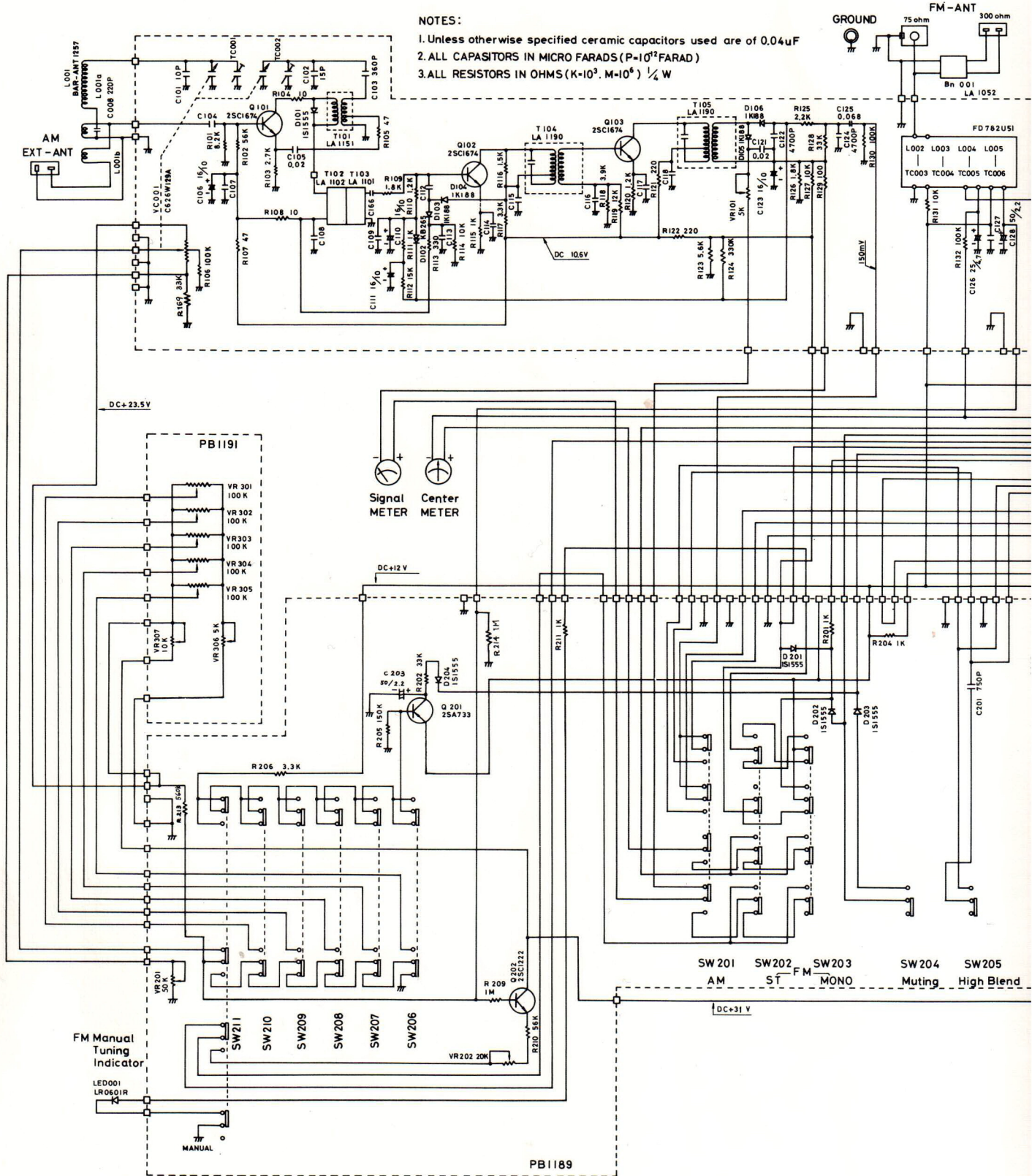
Ser. 1
Sarja 1

11070822

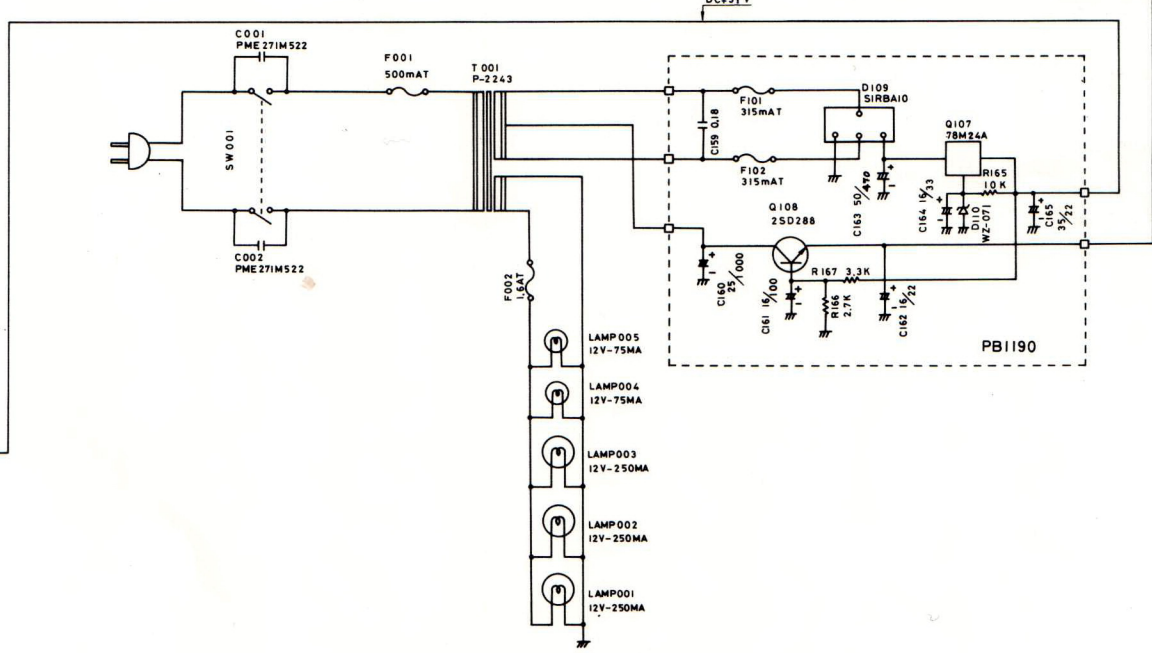
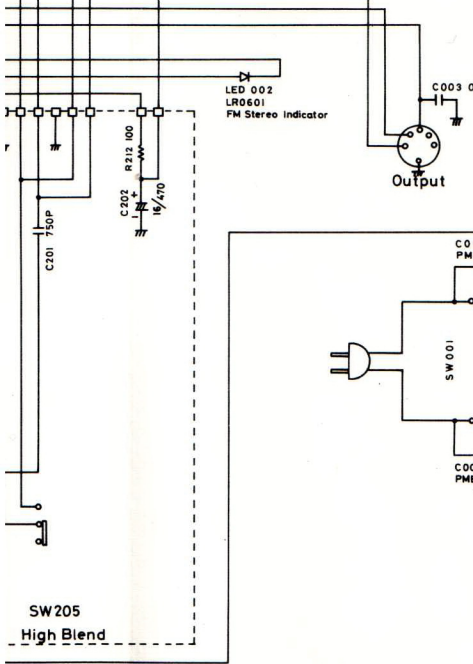
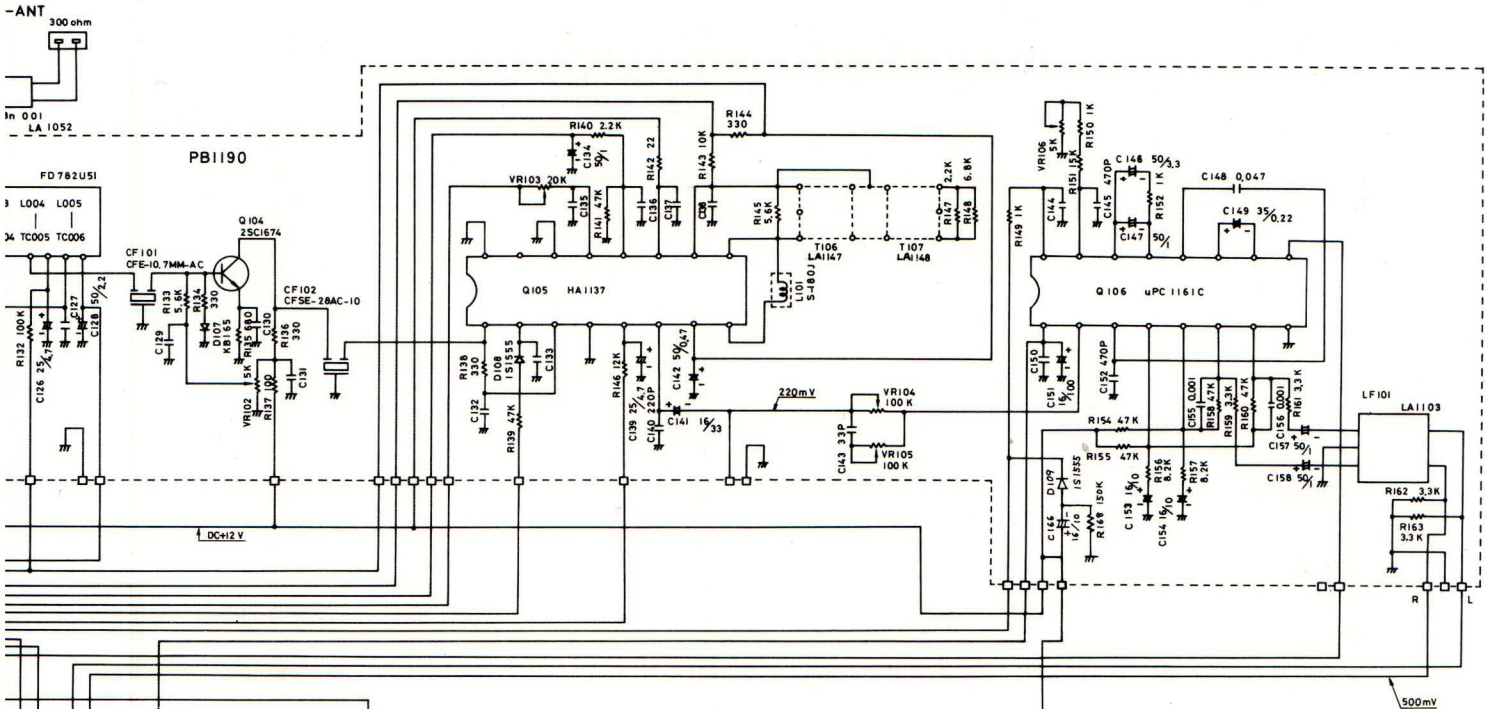
Nov. 1978

NOTES:

1. Unless otherwise specified ceramic capacitors used are of 0.04 μ F
2. ALL CAPASITORS IN MICRO FARADS (P=10¹²FARAD)
3. ALL RESISTORS IN OHMS (K=10³, M=10⁶) 1/4 W



PB1189



SW205
High Blend

500mv

DC+12 V

DC+31 V

PB1190