

SERVICE MANUAL

SKANTIC

LUXOR

Juni 1980
June



TYPE 110 9105

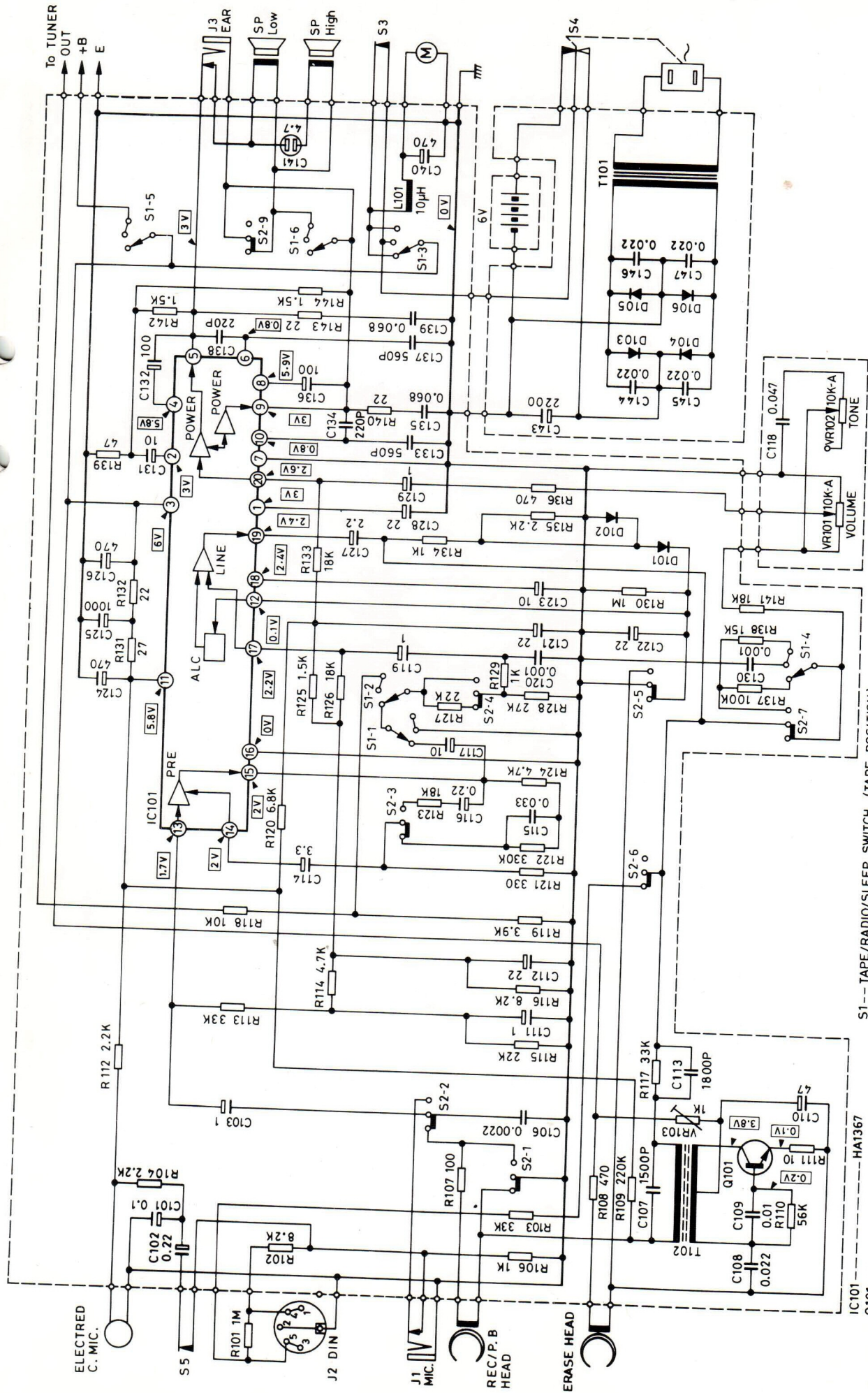


220 V, 50 Hz AC
+ 6 V DC



FM 88 — 104 MHz
LW 150 — 300 kHz
MW 525 — 1605 kHz
SW 6 — 18 MHz

KOPPLINGSSCHEMA CIRCUIT DIAGRAM

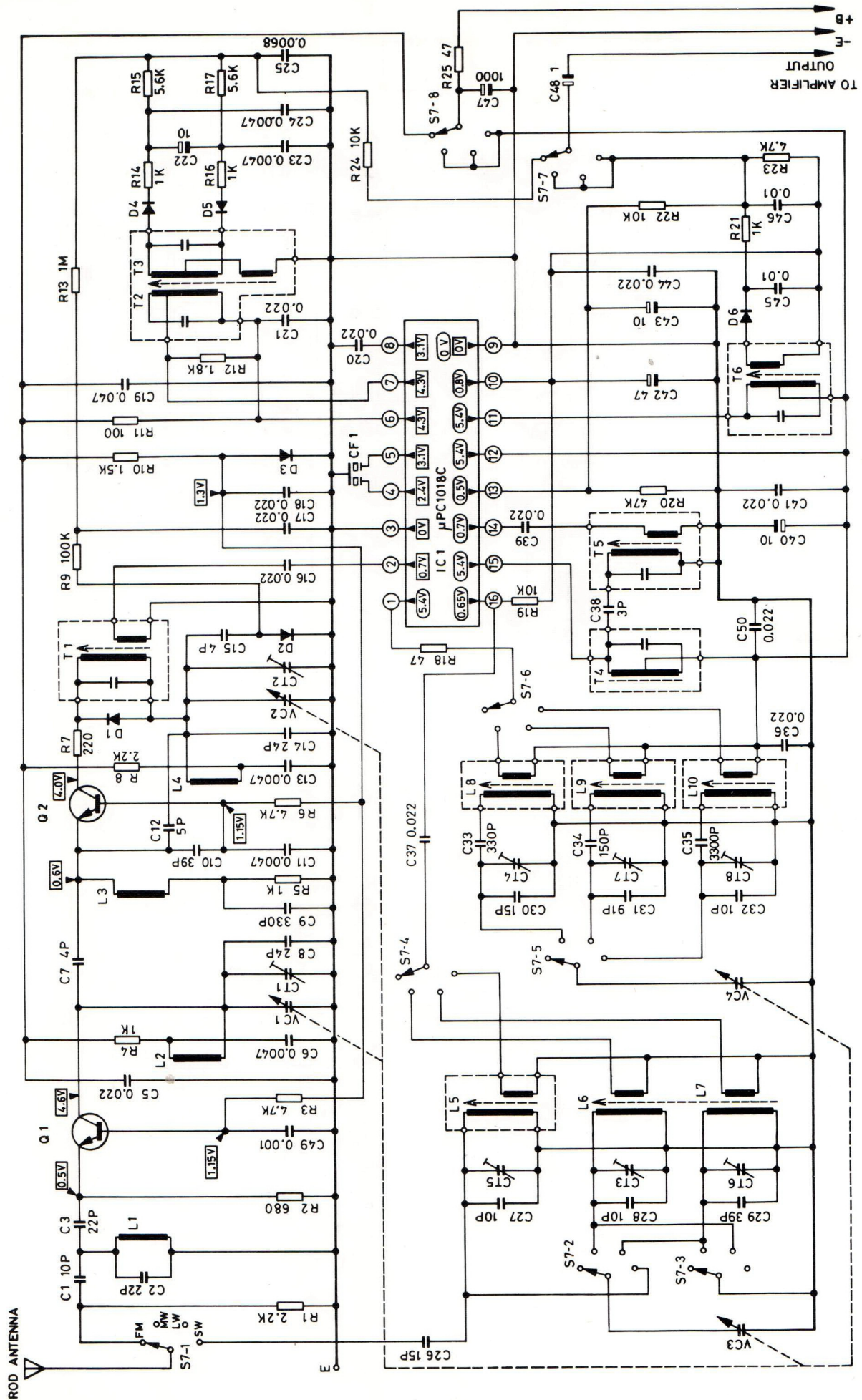


- S1---TAPE/RADIO/SLEEP SWITCH (TAPE POSITION)
- S2---RECORD/PLAYBACK SWITCH (P.B. POSITION)
- S3---TAPE ON/OFF SWITCH (ON POSITION)
- S4---DC/AC POWER SWITCH (DC POSITION)
- S5---C. MIC./DIN SWITCH (C. MIC. POSITION)

IC101 --- HA1367
 Q101 --- 2SC458-D

D101, 102 --- 1N4148
 D103, 104, 105, 106 --- W03B

RADIODEL TUNER



- D101, 102 ----- 1N4148
 D103, 104, 105, 106 ----- W03B
 S5 --- C. MIC./DIN SWITCH (C. MIC. POSITION)
 Q1 2 ----- JE 9016 - F or G
 D1 ----- HV80
 D2 ----- SD115
 D3 ----- KB-265
 D4, 5, 6 ----- 1N60P
 S7 --- BAND SELECTOR SWITCH (FM POSITION)
 VOLTAGE CHECK POSITION
 □ ----- FM POSITION
 ○ ----- AM POSITION
- NOTES :
 1. ALL RESISTANCE VALUES ARE IN Ω. K=1000.0 M = 1000K.0
 2. ALL CAPACITANCE VALUES ARE IN µF. P = 10⁻⁶. F
 3. ALL RESISTORS ARE 1/4 WATT, UNLESS OTHERWISE SPECIFIED.
 4. VOLTAGES MEASURED FROM POINT INDICATOR TO CHASSIS GROUND WITH V.T.V.M AT LINE VOLUME CONTROL MINIMUM AND NO SIGNAL.
 (SPECIFICATIONS AND CIRCUITS SUBJECT TO CHANGE WITHOUT NOTICE IMPROVEMENT.)