

SERVICE MANUAL

SKANTIC

LUXOR

Juni 1980
June 1980



TYPE 1109108



2×5 W max
2 st 16 cm
2 st 5 cm



AC 220 V
DC 12 V



LCD Quartz
DC 1.5 V.



FM 88— 108 MHz
MW 535—1605 kHz
LW 150— 380 kHz
SW 3.7— 12 MHz

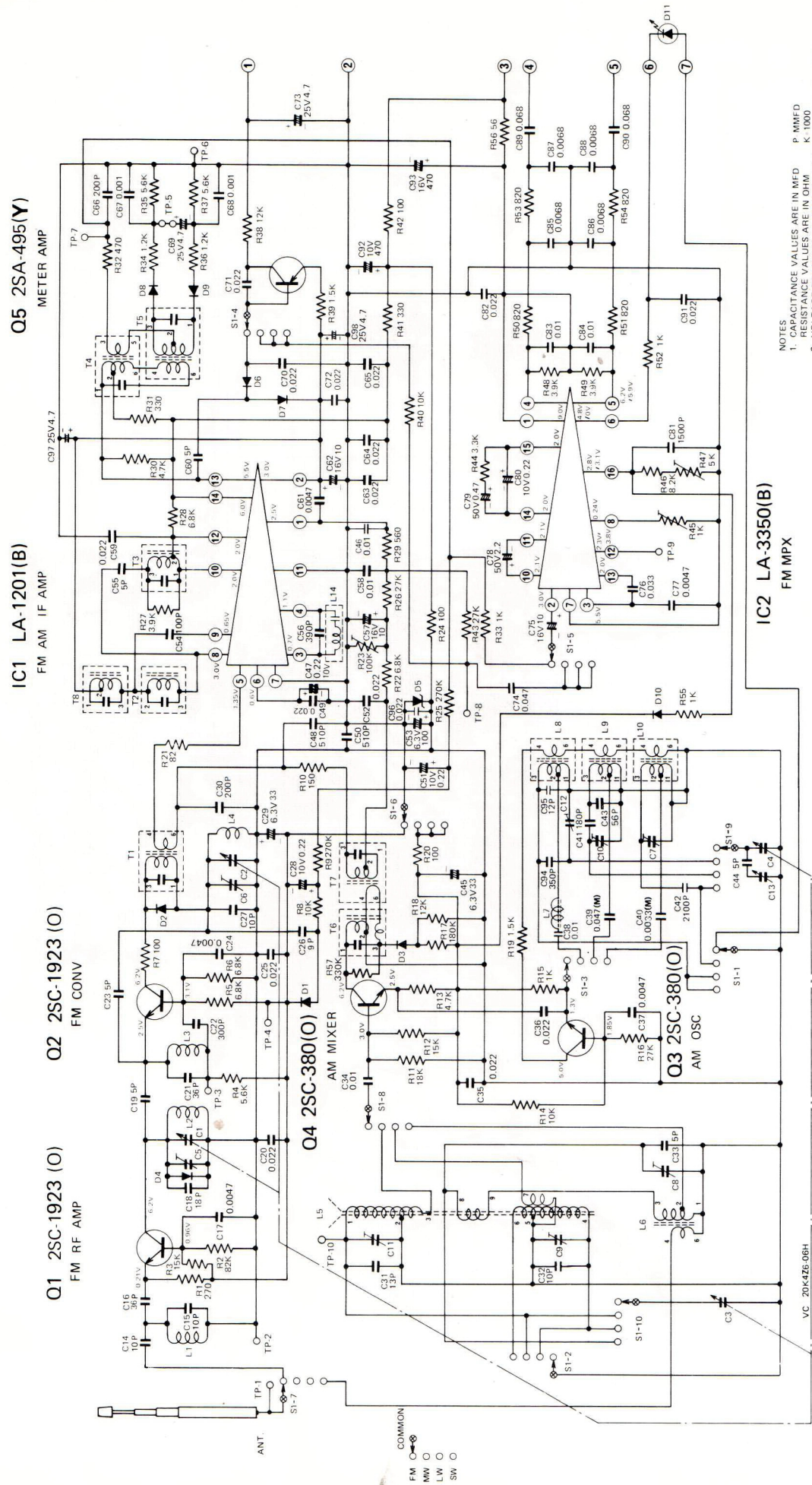
MF, IF AM 455 kHz
FM 10.7 MHz

Bandhastighet
Tape speed 4.75 cm/s
Bandgeschwindigkeit

Svaj
Wow and flutter 0.2 %
Tonhöenschwankung

Frekvensomfång
Frequency response 80—10 000 Hz
Frequenzbereich

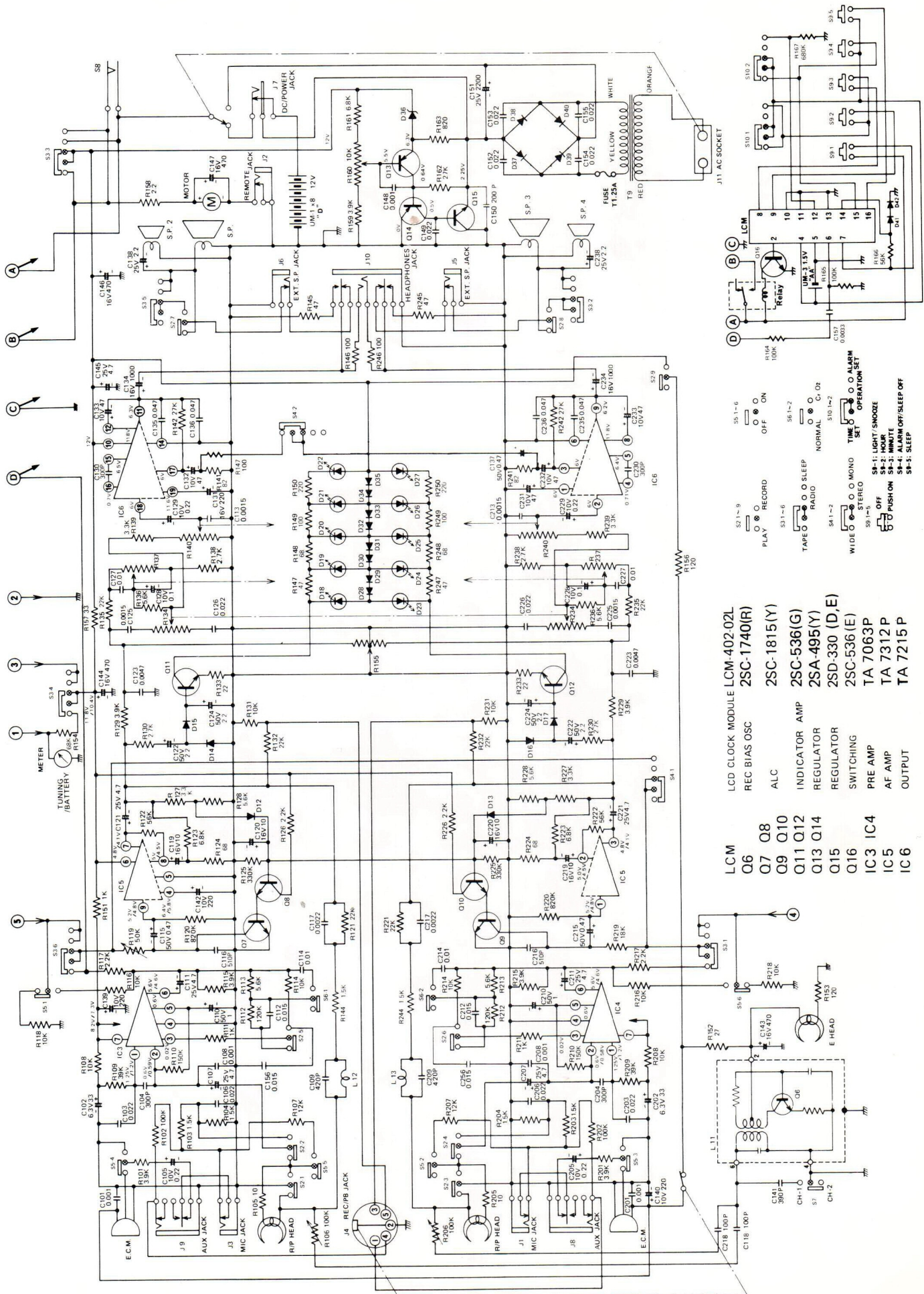
KOPPLINGSSCHEMA, RADIODEL CIRCUIT DIAGRAM, TUNER UNIT SCHALTSCHEMA, RADIO-TEIL



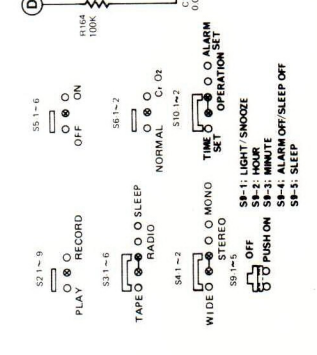
NOTES
 1. CAPACITANCE VALUES ARE IN MFD P MMFD
 2. RESISTANCE VALUES ARE IN OHM K 1000
 3. ALL COMMON GROUND(—) ARE MEASURED
 WITH VTVM NO SIGNAL CONDITIONS.
 □ V INDICATES

COMMON
 FM C
 MW O
 LW O
 SW O

KOPPLINGSSCHEMA, FÖRSTÄRKARDEL OCH KLOCKDEL
 CIRCUIT DIAGRAM, AMPLIFIER AND CLOCK UNITS
 SCHALTSCHHEMA, VERSTÄRKER-TEIL UND UHREN-TEIL



- LCM
 - O6
 - O7
 - O8
 - O9
 - O10
 - O11
 - O12
 - O13
 - O14
 - O15
 - O16
 - IC3
 - IC4
 - IC5
 - IC6
- LCD CLOCK MODULE LCM-402-02L
 - REC BIAS OSC 25C-1740(R)
 - ALC 25C-1815(Y)
 - INDICATOR AMP 25C-536(G)
 - REGULATOR 25A-495(Y)
 - SWITCHING 25D-330 (D,E)
 - PRE AMP 25C-536 (E)
 - AF AMP TA 7063P
 - OUTPUT TA 7312 P
 - TA 7215 P



- S51-6
 - S51-9
 - S31-6
 - S41-2
 - S51-5
 - S51-4
 - S51-3
 - S51-2
 - S51-1
- PLAY
 - RECORD
 - TAPE
 - RADIO
 - MONO
 - STEREO
 - SLEEP
 - ALARM SET
 - OPERATION
 - TIME SET
 - LIGHT SNOOZE
 - HOUR
 - MINUTE
 - MINUTE OFF
 - SLEEP OFF