

SERVICE MANUAL

SKANTIC

LUXOR

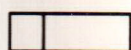
8109



TYPE 110 **9110**



- 220V AC / +12V DC



FM..... 88 - 108 MHz
MW..... 535 - 1605 kHz
LW..... 150 - 380 kHz
SW..... 3.7 - 12 MHz

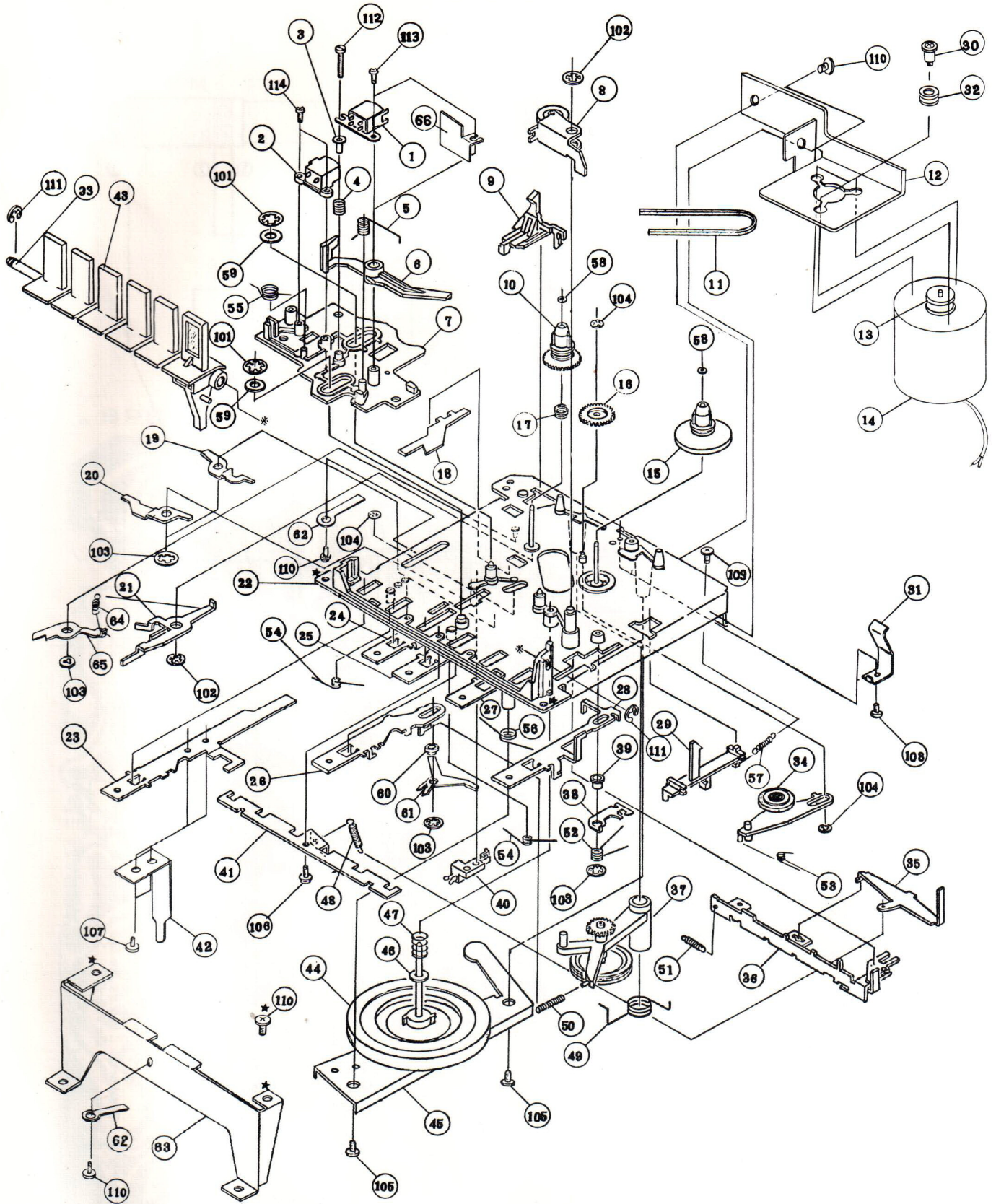


- 2 x 9 W (2x16 cm, 2x4 cm)

MF, IF AM(MW/LW/SW).... 455 kHz
FM..... 10.7 MHz



Tape speed..... 4.75 cm/s
Wow & Flutter..... 0.15 % wrms
Frequency response..... 60 - 10 000 Hz



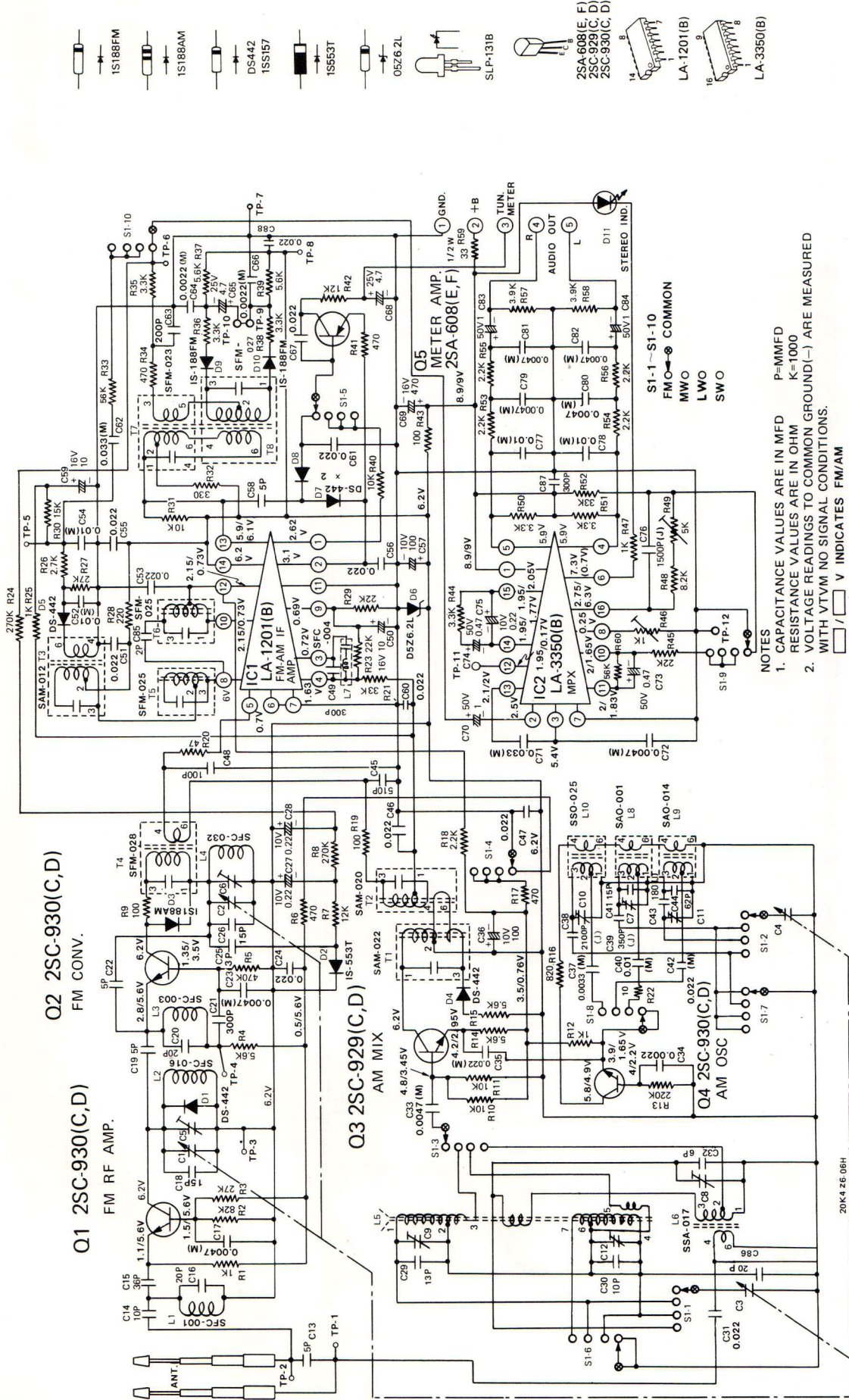
57 41024-01

Kassettdäck, kompl. Cassette deck, compl.

DP 1	57 00058-01
2	57 00057-01
6	57 21028-01
8	57 21027-01
10	57 21026-01
11	57 21025-01
13	57 21024-01
14	60 00035-01

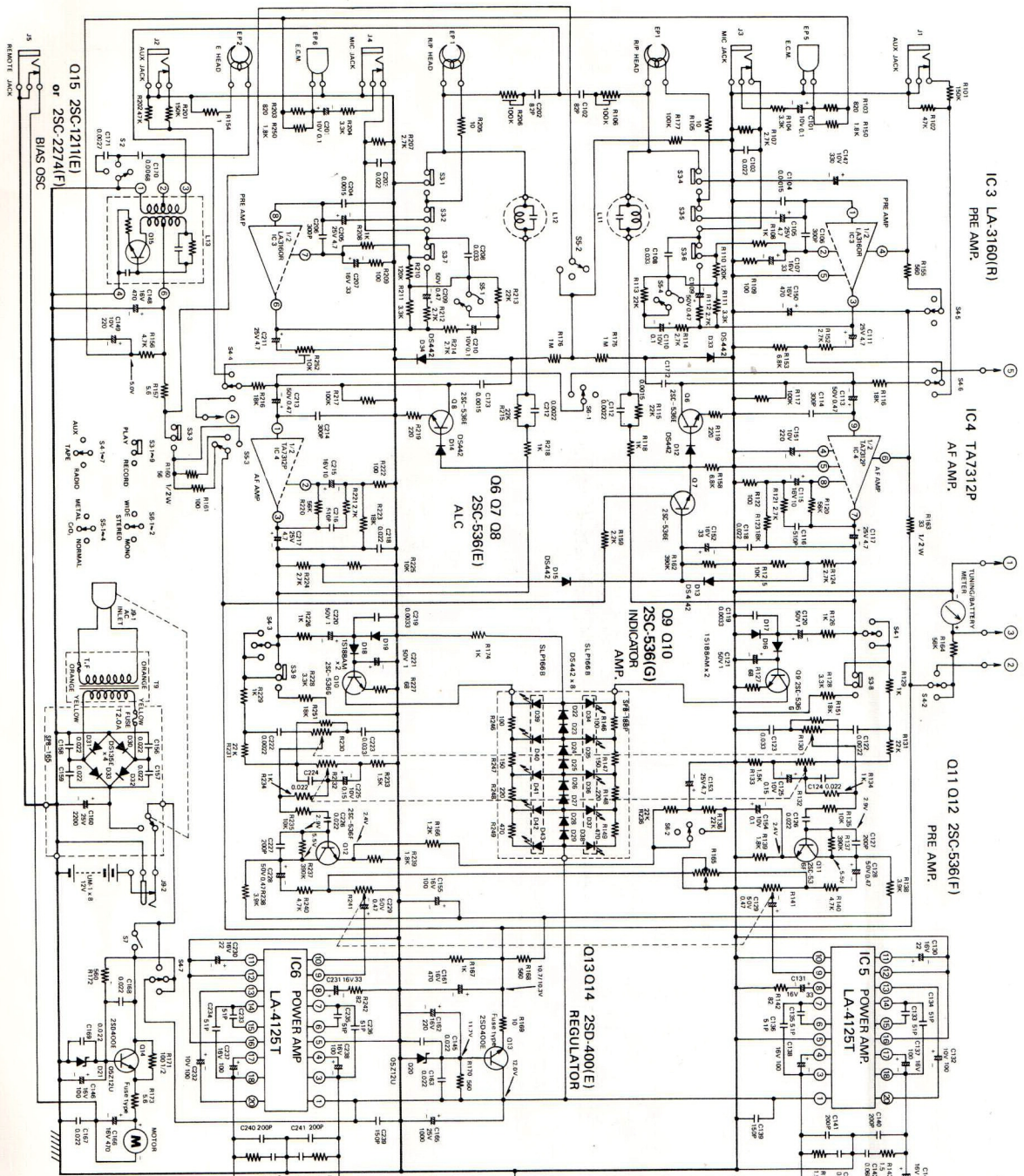
DP 15	57 21019-01
29	57 21020-01
34	57 21021-01
37	57 21022-01
40	57 21023-01
43	42 20117-01
44	57 21018-01

KOPPLINGSCHEMA CIRCUIT DIAGRAM



- NOTES
1. CAPACITANCE VALUES ARE IN MFD P=MMFD K=1000
 2. RESISTANCE VALUES ARE IN OHM
 3. VOLTAGE READINGS TO COMMON GROUND(—) ARE MEASURED WITH VTVM NO SIGNAL CONDITIONS.
 4. □ / □ V INDICATES FM/AM

Specifications or wiring diagrams of this model are subject to change for the improvement without prior notice.

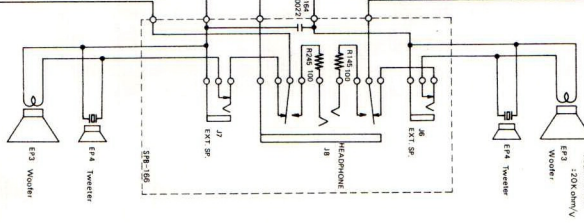


Specifications or wiring diagrams of this model are subject to change for the improvement without prior notice.

MINI	1	2	3	4	5	6	7	8
FUNCTION	1	2	3	4	5	6	7	8
RESISTANCE	100K	100K	100K	100K	100K	100K	100K	100K

MINI	1	2	3	4	5	6	7	8	9
FUNCTION	1	2	3	4	5	6	7	8	9
RESISTANCE	100K	100K	100K	100K	100K	100K	100K	100K	100K

MINI	1	2	3	4	5	6	7	8	9	10
FUNCTION	1	2	3	4	5	6	7	8	9	10
RESISTANCE	100K	100K	100K	100K	100K	100K	100K	100K	100K	100K



REAR PANEL	S 2	1-2-3	1
R/P	S 3	1-9	FLAM-RECORD
FUNCTION	S 4	1-7	FLAM-AUX-AUX
TAPE	S 5	1-6	NORMAL-CON-NORMAL
MODE	S 6	1-2	NORM-STEREO
LEF	S 7	1	ON-OFF (PUSH) OFF

NOTE: 1. CAPACITANCE VALUES ARE IN μF
 2. RESISTANCE VALUES ARE IN Ω
 WITH 5% TOL UNLESS OTHERWISE SPECIFIED
 WITH 1% TOL UNLESS OTHERWISE SPECIFIED

