

# SERVICE MANUAL

SKANTIC

LUXOR

8205



TYPE 110 **9116**



AC 220V 50Hz  
DC 9V (6xR20)



2 x 4,5 W  
2 x 12 cm

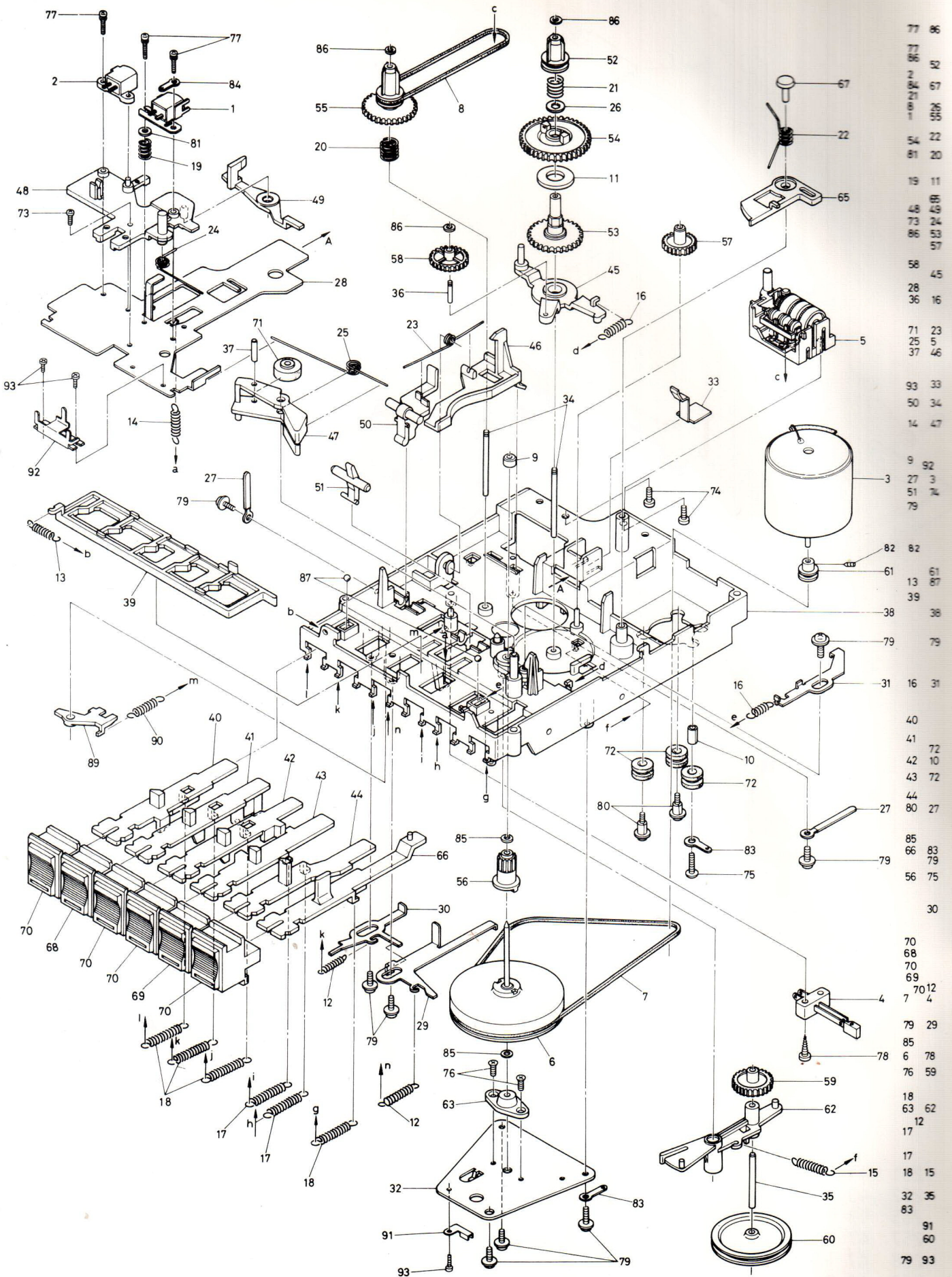


LW: 150- 300 kHz  
MW: 525-1605 kHz  
SW: 6- 18 MHz  
FM: 87,5-104 MHz



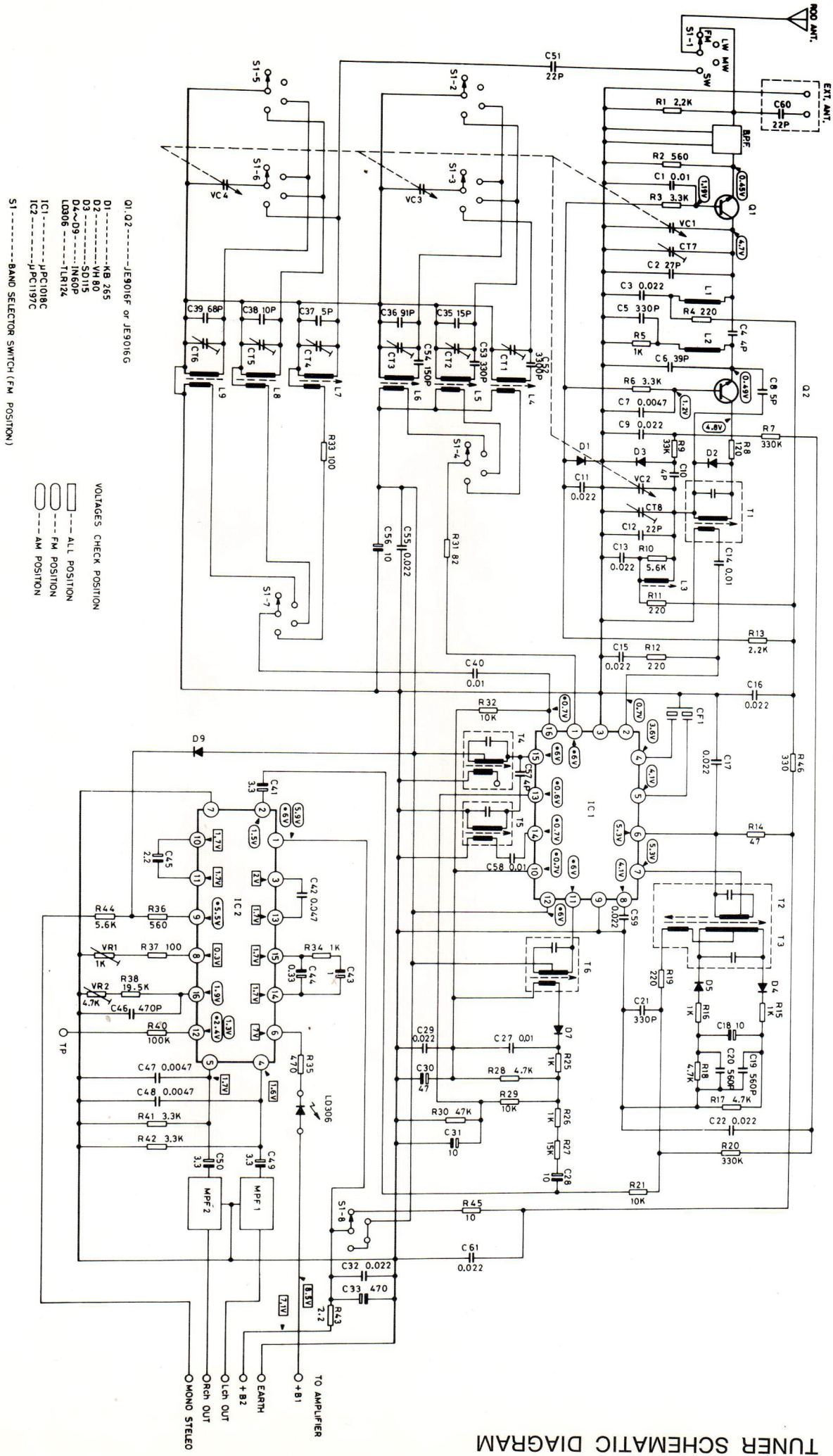
Svaj  
Wow and flutter 0,3 %  
Frekvensområde  
Frequency response 150-8000 Hz

# KASSETTMEKANISM

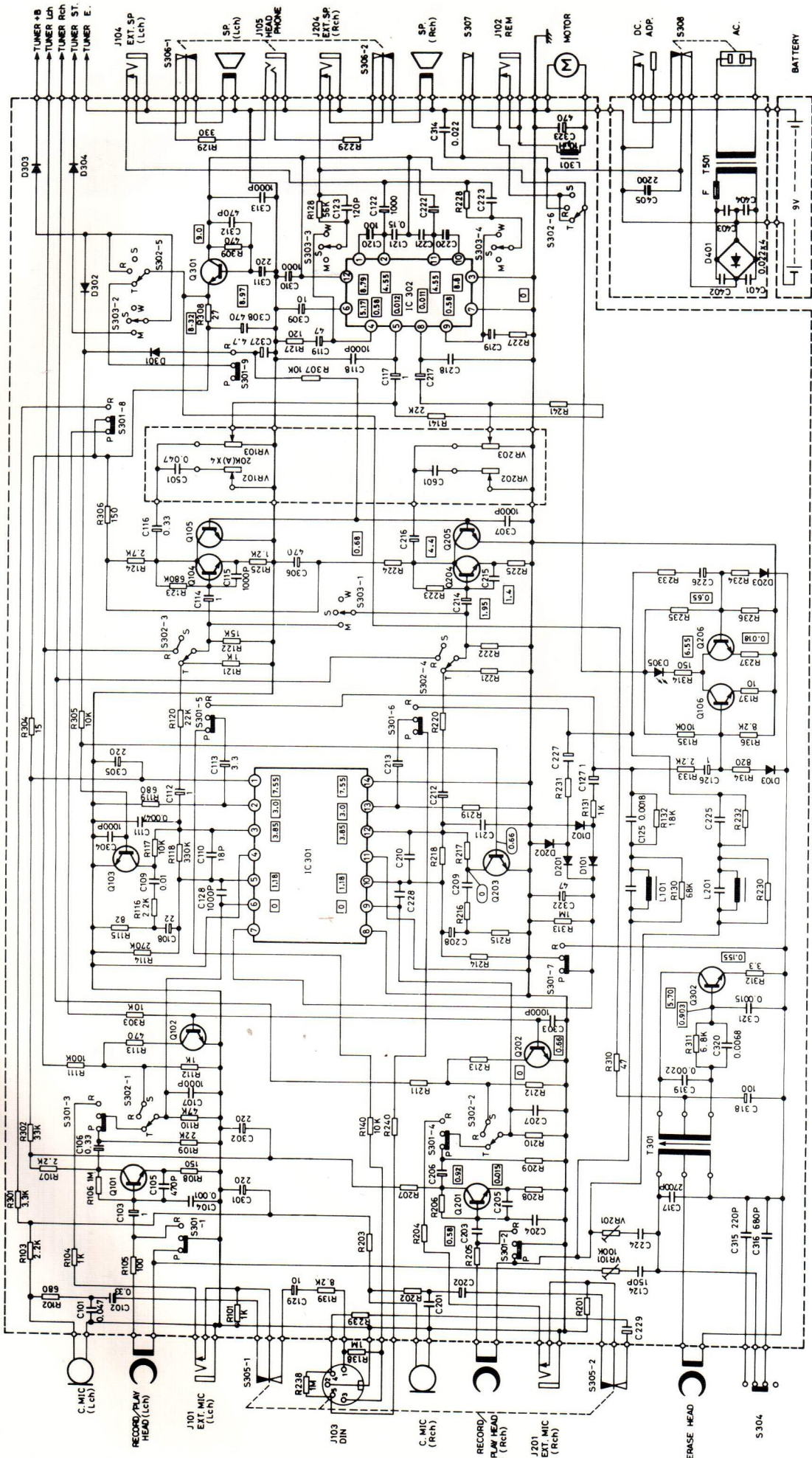


- 77 86
- 77 86
- 2 84
- 81 67
- 19 22
- 19 11
- 48 24
- 73 24
- 86 53
- 58 45
- 28 16
- 36 16
- 71 23
- 25 5
- 37 46
- 93 33
- 50 34
- 14 47
- 9 92
- 27 3
- 51 74
- 79 82
- 82 82
- 61 61
- 13 87
- 39 38
- 79 79
- 16 31
- 40 40
- 41 41
- 42 10
- 43 72
- 44 72
- 80 27
- 85 85
- 66 83
- 79 79
- 56 75
- 30 30
- 70 70
- 68 70
- 70 69
- 7 70
- 7 12
- 4 4
- 79 29
- 85 85
- 6 78
- 76 59
- 18 18
- 63 62
- 17 12
- 17 17
- 18 15
- 32 36
- 83 83
- 91 91
- 60 60
- 79 93

TUNER SCHEMATIC DIAGRAM



# SCHEMATIC DIAGRAM



803-499-0

- NOTES:
1. ALL RESISTANCE VALUES ARE IN  $\Omega$ ,  $k = 1000 \Omega$ ,  $M = 1000k \Omega$
  2. ALL CAPACITANCE VALUES ARE IN  $\mu F$ , UNLESS OTHERWISE SPECIFIED.
  3. ALL RESISTORS ARE 1/4 WATT, UNLESS OTHERWISE SPECIFIED.
  4. ALL VOLTAGES MEASURED FROM POINT INDICATOR TO CHASSIS GROUND.
  5. WITH 9V BATT. AT LINE VOLUME CONTROL MINIMUM AND NO SIGNAL.

(SPECIFICATIONS AND CIRCUITS SUBJECT TO CHANGE WITHOUT NOTICE FOR IMPROVEMENT.)

VOLTAGE CHECK POSITION  
 ○ --- PLAYBACK  
 ○ --- RECORDING

- S301.....RECORD/PLAYBACK SWITCH (PLAYBACK POSITION)  
 S302.....TAPE / RADIO / SLEEP SWITCH (TAPE POSITION)  
 S303.....MONO / STEREO / WIDE SWITCH (STEREO POSITION)  
 S304.....BEAT CANCEL SWITCH (C.MIC POSITION)  
 S305.....C.MIC/DIN SWITCH (C.MIC POSITION)  
 S306.....HEADPHONE/SPEAKER SWITCH (TAPEDON POSITION)  
 S307.....TAPE ON/OFF SWITCH (TAPEDON POSITION)  
 S308.....AC/DC POWER SWITCH (DC POWER POSITION)

- D103, 203.....20A90 or IN60P  
 D305.....1L124  
 D401.....2W02

- NOTE:  
 T4958P  
 IC 301.....IA7232P  
 IC 302.....25C135-0  
 IC 303.....25C135-0 or 25C135-1 or 25C135-2 or 25C135-3 or 25C135-4 or 25C135-5 or 25C135-6 or 25C135-7 or 25C135-8 or 25C135-9 or 25C135-10 or 25C135-11 or 25C135-12 or 25C135-13 or 25C135-14 or 25C135-15 or 25C135-16 or 25C135-17 or 25C135-18 or 25C135-19 or 25C135-20 or 25C135-21 or 25C135-22 or 25C135-23 or 25C135-24 or 25C135-25 or 25C135-26 or 25C135-27 or 25C135-28 or 25C135-29 or 25C135-30 or 25C135-31 or 25C135-32 or 25C135-33 or 25C135-34 or 25C135-35 or 25C135-36 or 25C135-37 or 25C135-38 or 25C135-39 or 25C135-40 or 25C135-41 or 25C135-42 or 25C135-43 or 25C135-44 or 25C135-45 or 25C135-46 or 25C135-47 or 25C135-48 or 25C135-49 or 25C135-50 or 25C135-51 or 25C135-52 or 25C135-53 or 25C135-54 or 25C135-55 or 25C135-56 or 25C135-57 or 25C135-58 or 25C135-59 or 25C135-60 or 25C135-61 or 25C135-62 or 25C135-63 or 25C135-64 or 25C135-65 or 25C135-66 or 25C135-67 or 25C135-68 or 25C135-69 or 25C135-70 or 25C135-71 or 25C135-72 or 25C135-73 or 25C135-74 or 25C135-75 or 25C135-76 or 25C135-77 or 25C135-78 or 25C135-79 or 25C135-80 or 25C135-81 or 25C135-82 or 25C135-83 or 25C135-84 or 25C135-85 or 25C135-86 or 25C135-87 or 25C135-88 or 25C135-89 or 25C135-90 or 25C135-91 or 25C135-92 or 25C135-93 or 25C135-94 or 25C135-95 or 25C135-96 or 25C135-97 or 25C135-98 or 25C135-99 or 25C135-100

D101, 102, 201, 202.....1N4148 or 1N4149 or 1N4150 or 1N4151 or 1N4152 or 1N4153 or 1N4154 or 1N4155 or 1N4156 or 1N4157 or 1N4158 or 1N4159 or 1N4160 or 1N4161 or 1N4162 or 1N4163 or 1N4164 or 1N4165 or 1N4166 or 1N4167 or 1N4168 or 1N4169 or 1N4170 or 1N4171 or 1N4172 or 1N4173 or 1N4174 or 1N4175 or 1N4176 or 1N4177 or 1N4178 or 1N4179 or 1N4180 or 1N4181 or 1N4182 or 1N4183 or 1N4184 or 1N4185 or 1N4186 or 1N4187 or 1N4188 or 1N4189 or 1N4190 or 1N4191 or 1N4192 or 1N4193 or 1N4194 or 1N4195 or 1N4196 or 1N4197 or 1N4198 or 1N4199 or 1N4200