

# SERVICE MANUAL

LUXOR

LUXOR

8209

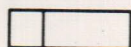


TYPE 110 **9118**



AC 220V 50Hz

DC 12V (8xR20)



LV: 150- 300 kHz

MV: 525-1610 kHz

KV: 6- 18 MHz

FM: 87,5-108 MHz



2 x 10 W

2 x 18 cm + 2 x 3 cm

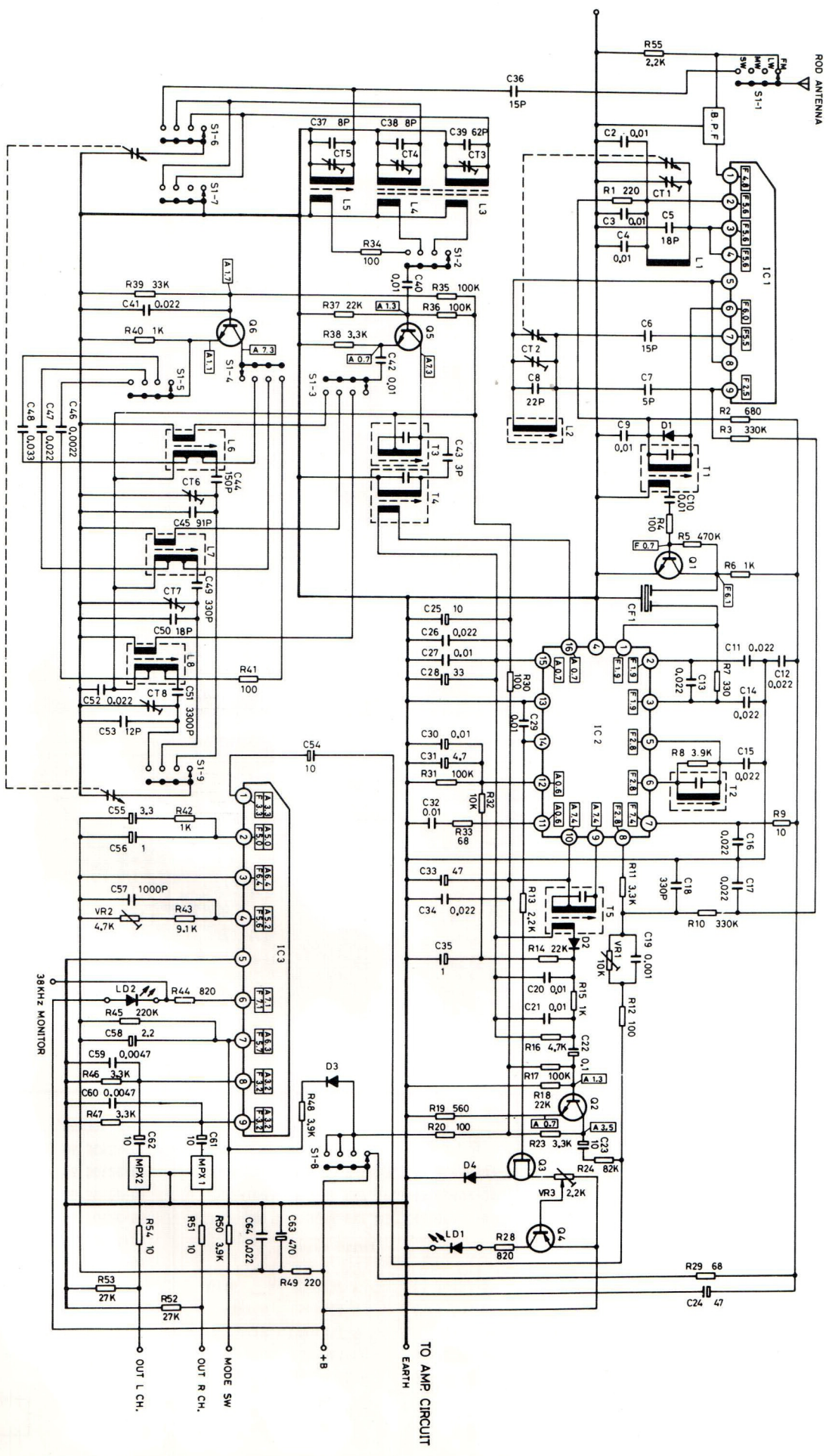


Svaj

0,1 %

Frekvensområde 63-12500 Hz

TUNER SCHEMATIC DIAGRAM



- IC1---IP235P
- IC2---LA1210
- IC3---TA734P
- Q1,5,6---2SC1359-A or 2SC1359-B
- Q2---2SC1664-R or 2SC1684-S
- Q4---2SA1015-Y
- Q3---2SK246-Y or 2SK246-GR

- D1---HW80
  - D2---IN60P
  - D3,4---1S2076
- VOLTAGE CHECK POSITION  
 F V FM POSITION  
 A V AM POSITION  
 S V STEREO POSITION  
 M V MONO POSITION
- S1---FM/LW/MM/SW SWITCH (FM POSITION)

NOTES:

- 1 ALL RESISTANCE VALUES ARE IN Ω, K=1000Ω, M=10000Ω
- 2 ALL CAPACITANCE VALUES ARE IN pF, μ=10<sup>-6</sup>F, n=10<sup>-9</sup>F
- 3 ALL RESISTORS ARE 1/4 WATT, UNLESS OTHERWISE SPECIFIED.
- 4 VOLTAGES MEASURED FROM POINT INDICATOR TO CHASSIS GROUND WITH VOLUME AT LINE VOLUME CONTROL MINIMUM AND NO SIGNAL. (SPECIFICATIONS AND CIRCUITS SUBJECT TO CHANGE WITHOUT NOTICE FOR IMPROVEMENT.)

# SCHEMATIC DIAGRAM

