

# SERVICE MANUAL

LUXOR

LUXOR

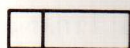
8208



TYPE 110 9119



AC 220V 50Hz  
DC 9V (6xR20)



LV: 150- 300 kHz  
MV: 520-1620 kHz  
KV: 6- 18 MHz  
FM: 87,5-108 MHz



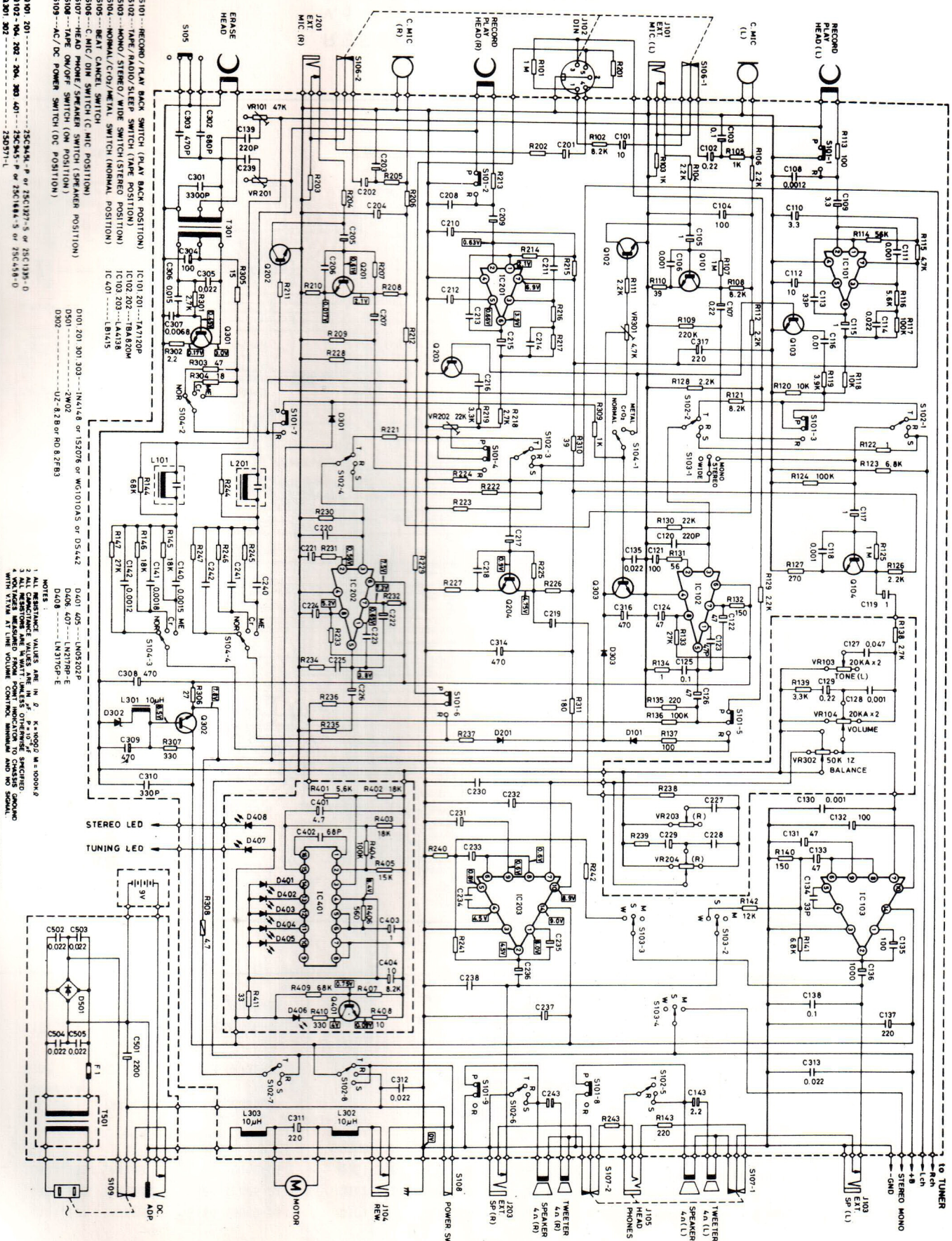
2 x 5 W  
2-vägs högtalarsystem



Svaj  $\pm 0.35\%$   
Frekvensområde 80-12000 Hz  
Dynamik -70 dB,40  
Distorsion -70 dB,5%



SCHEMATIC DIAGRAM



- S101---RECORD/PLAY BACK SWITCH (PLAY BACK POSITION)
- S102---TAPE/RADIO/SLEEP SWITCH (TAPE POSITION)
- S103---MONO/STEREO/WIDE SWITCH (STEREO POSITION)
- S104---NORMAL/C/O/M/MENTAL SWITCH (NORMAL POSITION)
- S105---BEAT/CANCEL SWITCH
- S106---C MIC/DIM SWITCH (C MIC POSITION)
- S107---HEAD PHONE/SPEAKER SWITCH (SPEAKER POSITION)
- S108---TAP ON/OFF SWITCH (ON POSITION)
- S109---AC/DC POWER SWITCH (DC POSITION)

- D101 201 301 303---1N4148 or 1S2076 or W51010A5 or D5642
- D302---2W02
- D303---U2-82B or RD 82FB3
- D401 405---1N5022P
- D406 407---1N5179P-E
- D408---1N5179P-E

- VR101 47K
- VR201
- VR103 20KA X 2
- VR104 20KA X 2
- VR302 50K 1Z

- IC101 201---1A1710P
- IC102 202---18A20M
- IC103 203---1A4138
- IC401---1B1415

- R101 1M
- R102 8.2K
- R103 1K
- R104 10K
- R105 100K
- R106 2.2K
- R107 10K
- R108 100K
- R109 10K
- R110 10K
- R111 2.2K
- R112 2.2K
- R113 4.7K
- R114 100K
- R115 5.6K
- R116 100K
- R117 100K
- R118 100K
- R119 100K
- R120 10K
- R121 8.2K
- R122 6.8K
- R123 6.8K
- R124 100K
- R125 1M
- R126 2.2K
- R127 270
- R128 2.2K
- R129 2.2K
- R130 22K
- R131 100
- R132 100
- R133 100
- R134 2.2K
- R135 220
- R136 100K
- R137 100
- R138 2.2K
- R139 3.3K
- R140 150
- R141 8.8K
- R142 100
- R143 100
- R144 100
- R145 18K
- R146 18K
- R147 27K
- R148 100
- R149 100
- R150 100
- R201 10K
- R202 10K
- R203 10K
- R204 10K
- R205 10K
- R206 10K
- R207 10K
- R208 10K
- R209 10K
- R210 10K
- R211 10K
- R212 10K
- R213 10K
- R214 10K
- R215 10K
- R216 10K
- R217 10K
- R218 10K
- R219 10K
- R220 10K
- R221 10K
- R222 10K
- R223 10K
- R224 10K
- R225 10K
- R226 10K
- R227 10K
- R228 10K
- R229 10K
- R230 10K
- R231 10K
- R232 10K
- R233 10K
- R234 10K
- R235 10K
- R236 10K
- R237 10K
- R238 10K
- R239 10K
- R240 10K
- R241 10K
- R242 10K
- R243 10K
- R244 10K
- R245 10K
- R246 10K
- R247 10K
- R248 10K
- R249 10K
- R250 10K
- R301 10K
- R302 10K
- R303 10K
- R304 10K
- R305 10K
- R306 10K
- R307 10K
- R308 10K
- R309 10K
- R310 10K
- R311 10K
- R312 10K
- R313 10K
- R314 10K
- R315 10K
- R316 10K
- R317 10K
- R318 10K
- R319 10K
- R320 10K
- R321 10K
- R322 10K
- R323 10K
- R324 10K
- R325 10K
- R326 10K
- R327 10K
- R328 10K
- R329 10K
- R330 10K
- R331 10K
- R332 10K
- R333 10K
- R334 10K
- R335 10K
- R336 10K
- R337 10K
- R338 10K
- R339 10K
- R340 10K
- R341 10K
- R342 10K
- R343 10K
- R344 10K
- R345 10K
- R346 10K
- R347 10K
- R348 10K
- R349 10K
- R350 10K
- R401 5.6K
- R402 18K
- R403 18K
- R404 100K
- R405 15K
- R406 100K
- R407 8.2K
- R408 10K
- R409 5.6K
- R410 330
- R411 5K
- R412 10K
- R413 10K
- R414 10K
- R415 10K
- R416 10K
- R417 10K
- R418 10K
- R419 10K
- R420 10K
- R421 10K
- R422 10K
- R423 10K
- R424 10K
- R425 10K
- R426 10K
- R427 10K
- R428 10K
- R429 10K
- R430 10K
- R431 10K
- R432 10K
- R433 10K
- R434 10K
- R435 10K
- R436 10K
- R437 10K
- R438 10K
- R439 10K
- R440 10K
- R441 10K
- R442 10K
- R443 10K
- R444 10K
- R445 10K
- R446 10K
- R447 10K
- R448 10K
- R449 10K
- R450 10K

- C101 10
- C102 0.001
- C103 0.001
- C104 100
- C105 0.001
- C106 0.001
- C107 0.001
- C108 0.001
- C109 3.3
- C110 0.001
- C111 0.001
- C112 10
- C113 0.01
- C114 0.001
- C115 0.01
- C116 0.01
- C117 0.001
- C118 0.001
- C119 1
- C120 220P
- C121 100
- C122 100
- C123 100
- C124 5
- C125 10
- C126 100
- C127 0.047
- C128 0.001
- C129 0.001
- C130 0.001
- C131 47
- C132 100
- C133 100
- C134 100
- C135 100
- C136 1000
- C137 220
- C138 10
- C139 0.022
- C140 0.001
- C141 0.001
- C142 0.001
- C143 2.2
- C144 2.2
- C145 2.2
- C146 2.2
- C147 2.2
- C148 2.2
- C149 2.2
- C150 2.2
- C201 10
- C202 10
- C203 10
- C204 10
- C205 10
- C206 10
- C207 10
- C208 10
- C209 10
- C210 10
- C211 10
- C212 10
- C213 10
- C214 10
- C215 10
- C216 10
- C217 10
- C218 10
- C219 10
- C220 10
- C221 10
- C222 10
- C223 10
- C224 10
- C225 10
- C226 10
- C227 10
- C228 10
- C229 10
- C230 10
- C231 10
- C232 10
- C233 10
- C234 10
- C235 10
- C236 10
- C237 10
- C238 10
- C239 10
- C240 10
- C241 10
- C242 10
- C243 10
- C244 10
- C245 10
- C246 10
- C247 10
- C248 10
- C249 10
- C250 10
- C301 10
- C302 10
- C303 10
- C304 10
- C305 10
- C306 10
- C307 10
- C308 10
- C309 10
- C310 330P
- C311 22
- C312 0.022
- C313 0.022
- C314 0.022
- C315 0.022
- C316 0.022
- C317 0.022
- C318 0.022
- C319 0.022
- C320 0.022
- C321 0.022
- C322 0.022
- C323 0.022
- C324 0.022
- C325 0.022
- C326 0.022
- C327 0.022
- C328 0.022
- C329 0.022
- C330 0.022
- C331 0.022
- C332 0.022
- C333 0.022
- C334 0.022
- C335 0.022
- C336 0.022
- C337 0.022
- C338 0.022
- C339 0.022
- C340 0.022
- C341 0.022
- C342 0.022
- C343 0.022
- C344 0.022
- C345 0.022
- C346 0.022
- C347 0.022
- C348 0.022
- C349 0.022
- C350 0.022

- L101 100
- L102 100
- L103 100
- L104 100
- L105 100
- L106 100
- L107 100
- L108 100
- L109 100
- L110 100
- L111 100
- L112 100
- L113 100
- L114 100
- L115 100
- L116 100
- L117 100
- L118 100
- L119 100
- L120 100
- L121 100
- L122 100
- L123 100
- L124 100
- L125 100
- L126 100
- L127 100
- L128 100
- L129 100
- L130 100
- L131 100
- L132 100
- L133 100
- L134 100
- L135 100
- L136 100
- L137 100
- L138 100
- L139 100
- L140 100
- L141 100
- L142 100
- L143 100
- L144 100
- L145 100
- L146 100
- L147 100
- L148 100
- L149 100
- L150 100

- VR101 47K
- VR201
- VR103 20KA X 2
- VR104 20KA X 2
- VR302 50K 1Z

- IC101 201---1A1710P
- IC102 202---18A20M
- IC103 203---1A4138
- IC401---1B1415
- IC201---1A1710P
- IC202---18A20M
- IC203---1A4138
- IC204---1B1415

- R101 1M
- R102 8.2K
- R103 1K
- R104 10K
- R105 100K
- R106 2.2K
- R107 10K
- R108 100K
- R109 10K
- R110 10K
- R111 2.2K
- R112 2.2K
- R113 4.7K
- R114 100K
- R115 5.6K
- R116 100K
- R117 100K
- R118 100K
- R119 100K
- R120 10K
- R121 8.2K
- R122 6.8K
- R123 6.8K
- R124 100K
- R125 1M
- R126 2.2K
- R127 270
- R128 2.2K
- R129 2.2K
- R130 22K
- R131 100
- R132 100
- R133 100
- R134 2.2K
- R135 220
- R136 100K
- R137 100
- R138 2.2K
- R139 3.3K
- R140 150
- R141 8.8K
- R142 100
- R143 100
- R144 100
- R145 18K
- R146 18K
- R147 27K
- R148 100
- R149 100
- R150 100
- R201 10K
- R202 10K
- R203 10K
- R204 10K
- R205 10K
- R206 10K
- R207 10K
- R208 10K
- R209 10K
- R210 10K
- R211 10K
- R212 10K
- R213 10K
- R214 10K
- R215 10K
- R216 10K
- R217 10K
- R218 10K
- R219 10K
- R220 10K
- R221 10K
- R222 10K
- R223 10K
- R224 10K
- R225 10K
- R226 10K
- R227 10K
- R228 10K
- R229 10K
- R230 10K
- R231 10K
- R232 10K
- R233 10K
- R234 10K
- R235 10K
- R236 10K
- R237 10K
- R238 10K
- R239 10K
- R240 10K
- R241 10K
- R242 10K
- R243 10K
- R244 10K
- R245 10K
- R246 10K
- R247 10K
- R248 10K
- R249 10K
- R250 10K
- R301 10K
- R302 10K
- R303 10K
- R304 10K
- R305 10K
- R306 10K
- R307 10K
- R308 10K
- R309 10K
- R310 10K
- R311 10K
- R312 10K
- R313 10K
- R314 10K
- R315 10K
- R316 10K
- R317 10K
- R318 10K
- R319 10K
- R320 10K
- R321 10K
- R322 10K
- R323 10K
- R324 10K
- R325 10K
- R326 10K
- R327 10K
- R328 10K
- R329 10K
- R330 10K
- R331 10K
- R332 10K
- R333 10K
- R334 10K
- R335 10K
- R336 10K
- R337 10K
- R338 10K
- R339 10K
- R340 10K
- R341 10K
- R342 10K
- R343 10K
- R344 10K
- R345 10K
- R346 10K
- R347 10K
- R348 10K
- R349 10K
- R350 10K
- R401 5.6K
- R402 18K
- R403 18K
- R404 100K
- R405 15K
- R406 100K
- R407 8.2K
- R408 10K
- R409 5.6K
- R410 330
- R411 5K
- R412 10K
- R413 10K
- R414 10K
- R415 10K
- R416 10K
- R417 10K
- R418 10K
- R419 10K
- R420 10K
- R421 10K
- R422 10K
- R423 10K
- R424 10K
- R425 10K
- R426 10K
- R427 10K
- R428 10K
- R429 10K
- R430 10K
- R431 10K
- R432 10K
- R433 10K
- R434 10K
- R435 10K
- R436 10K
- R437 10K
- R438 10K
- R439 10K
- R440 10K
- R441 10K
- R442 10K
- R443 10K
- R444 10K
- R445 10K
- R446 10K
- R447 10K
- R448 10K
- R449 10K
- R450 10K

- C101 10
- C102 0.001
- C103 0.001
- C104 100
- C105 0.001
- C106 0.001
- C107 0.001
- C108 0.001
- C109 3.3
- C110 0.001
- C111 0.001
- C112 10
- C113 0.01
- C114 0.001
- C115 0.01
- C116 0.01
- C117 0.001
- C118 0.001
- C119 1
- C120 220P
- C121 100
- C122 100
- C123 100
- C124 5
- C125 10
- C126 100
- C127 0.047
- C128 0.001
- C129 0.001
- C130 0.001
- C131 47
- C132 100
- C133 100
- C134 100
- C135 100
- C136 1000
- C137 220
- C138 10
- C139 0.022
- C140 0.001
- C141 0.001
- C142 0.001
- C143 2.2
- C144 2.2
- C145 2.2
- C146 2.2
- C147 2.2
- C148 2.2
- C149 2.2
- C150 2.2
- C201 10
- C202 10
- C203 10
- C204 10
- C205 10
- C206 10
- C207 10
- C208 10
- C209 10
- C210 10
- C211 10
- C212 10
- C213 10
- C214 10
- C215 10
- C216 10
- C217 10
- C218 10
- C219 10
- C220 10
- C221 10
- C222 10
- C223 10
- C224 10
- C225 10
- C226 10
- C227 10
- C228 10
- C229 10
- C230 10
- C231 10
- C232 10
- C233 10
- C234 10
- C235 10
- C236 10
- C237 10
- C238 10
- C239 10
- C240 10
- C241 10
- C242 10
- C243 10
- C244 10
- C245 10
- C246 10
- C247 10
- C248 10
- C249 10
- C250 10
- C301 10
- C302 10
- C303 10
- C304 10
- C305 10
- C306 10
- C307 10
- C308 10
- C309 10
- C310 330P
- C311 22
- C312 0.022
- C313 0.022
- C314 0.022
- C315 0.022
- C316 0.022
- C317 0.022
- C318 0.022
- C319 0.022
- C320 0.022
- C321 0.022
- C322 0.022
- C323 0.022
- C324 0.022
- C325 0.022
- C326 0.022
- C327 0.022
- C328 0.022
- C329 0.022
- C330 0.022
- C331 0.022
- C332 0.022
- C333 0.022
- C334 0.022
- C335 0.022
- C336 0.022
- C337 0.022
- C338 0.022
- C339 0.022
- C340 0.022
- C341 0.022
- C342 0.022
- C343 0.022
- C344 0.022
- C345 0.022
- C346 0.022
- C347 0.022
- C348 0.022
- C349 0.022
- C350 0.022

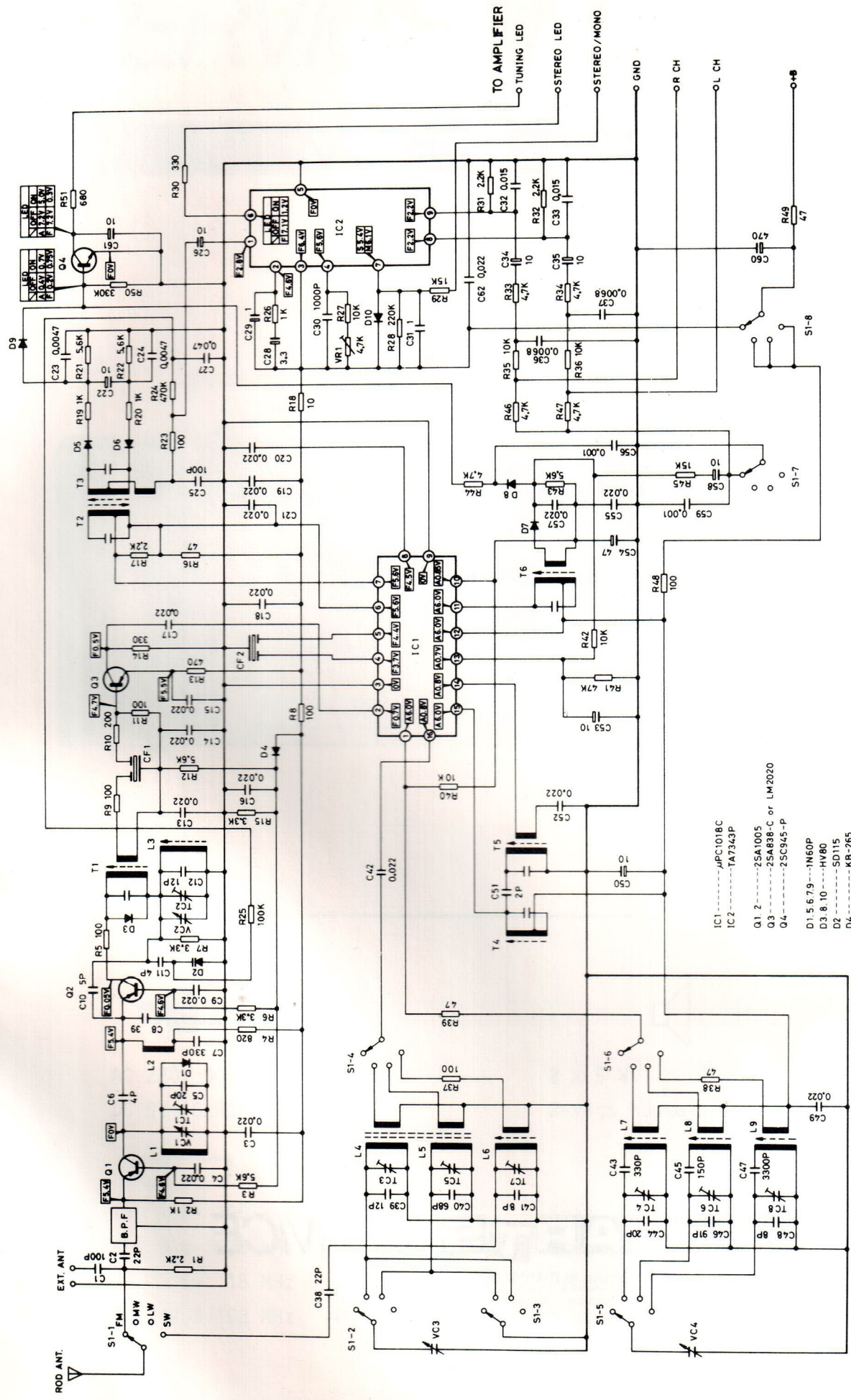
- VR101 47K
- VR201
- VR103 20KA X 2
- VR104 20KA X 2
- VR302 50K 1Z

- IC101 201---1A1710P
- IC102 202---18A20M
- IC103 203---1A4138
- IC401---1B1415
- IC201---1A1710P
- IC202---18A20M
- IC203---1A4138
- IC204---1B1415

- R101 1M
- R102 8.2K
- R103 1K
- R104 10K
- R105 100K
- R106 2.2K
- R107 10K
- R108 100K
- R109 10K
- R110 10K
- R111 2.2K
- R112 2.2K
- R113 4.7K
- R114 100K
- R115 5.6K
- R116 100K
- R117 100K
- R118 100K
- R119 100K
- R120 10K
- R121 8.2K
- R122 6.8K
- R123 6.8K
- R124 100K
- R125 1M
- R126 2.2K
- R127 270
- R128 2.2K
- R129 2.2K
- R130 22K
- R131 100
- R132 100
- R133 100
- R134 2.2K
- R135 220
- R136 100K
- R137 100
- R138 2.2K
- R139 3.3K
- R140 150
- R141 8.8K
- R142 100
- R143 100



# TUNER SCHEMATIC DIAGRAM



NOTES:

- 1 ALL RESISTANCE VALUES ARE IN  $\Omega$ ,  $\mu$ , K = 1000, M = 1000K, D.
- 2 ALL CAPACITANCE VALUES ARE IN P, N, U, M, F, UNLESS OTHERWISE SPECIFIED.
- 3 ALL RESISTORS ARE  $\frac{1}{4}$  WATT, UNLESS OTHERWISE SPECIFIED.
- 4 VOLTAGES MEASURED FROM POINT INDICATOR TO CHASSIS GROUND WITH VOLUME AT LINE VOLUME CONTROL MINIMUM AND NO SIGNAL.

(SPECIFICATIONS AND CIRCUITS SUBJECT TO CHANGE WITHOUT NOTICE FOR IMPROVEMENT.)

S1-1 - 8 ----- BAND SWITCH (FM POSITION)

----- ALL POSITION  
 ----- FM POSITION  
 ----- AM POSITION  
 ----- STEREO POSITION  
 ----- MONO POSITION

- IC1 ----- MC1018C
- IC2 ----- TA7343P
- Q1 2 ----- 2SA1005
- Q3 ----- 2SA838-C or LM2020
- Q4 ----- 2SC945-P
- D1 5, 6, 7, 9 ----- 1N60P
- D3 8, 10 ----- HV80
- D2 ----- SD115
- D4 ----- KB-265