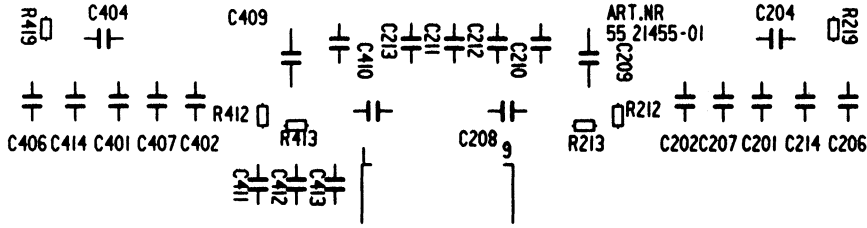


TESTPOINT

	A1	B	C	D	E	F	G	H	I	A2,3	B	C	D	E	F	G	H	I	
60 Hz	25 mV	100 mV	100 mV	3 mV	3 mV	50 mV	68 mV	580 mV	2.6 V	60 Hz	25 mV	245 mV	245 mV	7 mV	7 mV	120 mV	170 mV	1.3 V	6.1 V
100 Hz	25 mV	100 mV	100 mV	8 mV	8 mV	85 mV	138 mV	170 mV	1.6 V	100 Hz	25 mV	245 mV	245 mV	20 mV	20 mV	205 mV	340 mV	410 mV	4.0 V
1 kHz	25 mV	100 mV	100 mV	100 mV	100 mV	100 mV	3 mV	115 mV	0.95 V	1 kHz	25 mV	245 mV	245 mV	245 mV	245 mV	4 mV	280 mV	2.3 V	
10 kHz	25 mV	100 mV	100 mV	100 mV	100 mV	100 mV	1 mV	4 mV	0.82 V	10 kHz	25 mV	275 mV	275 mV	275 mV	275 mV	1 mV	10 mV	2.0 V	

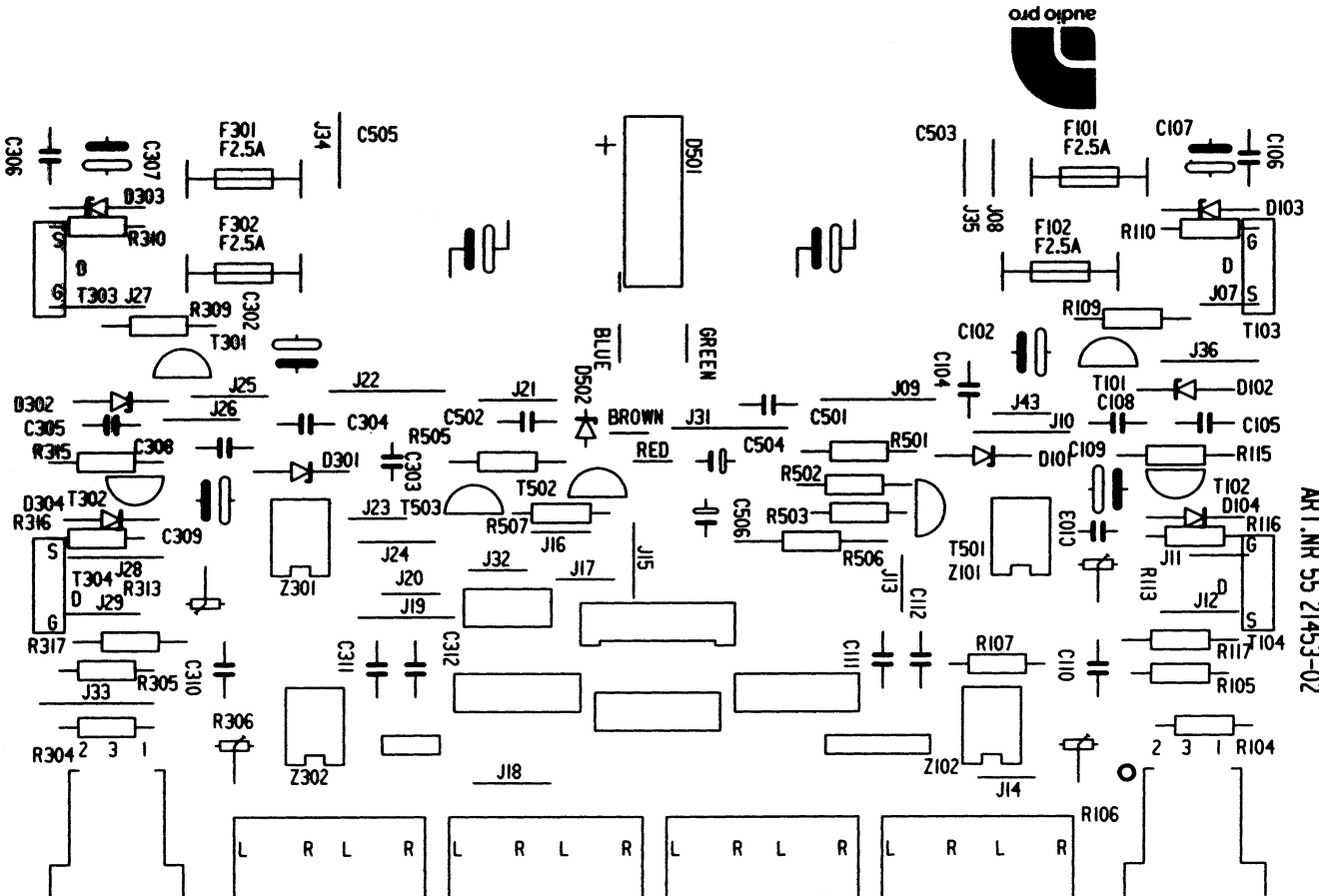
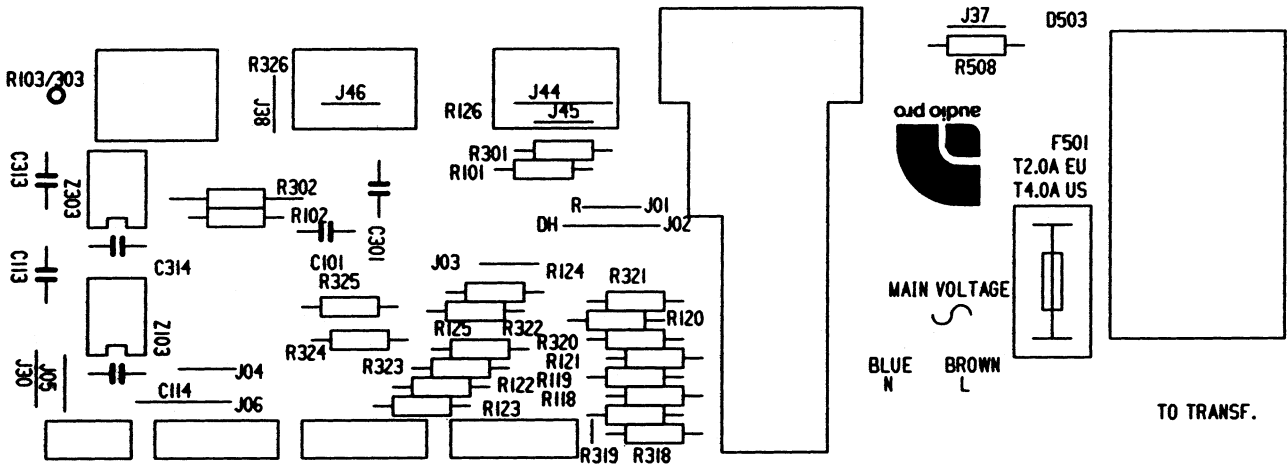
VOLUME R103/R303 AND BALANCE R126/R326 AT MAX      SPEAKERS CONNECTED      ALL MEASURED VALUES +/-2%

1	881116	LW	DIODE 1N4148 AND RESISTOR 680 OHMS REPLACE R316,R310,R116,R110 FROM SERIAL NO: 1001
ANDR. REV.	DATUM DATE	SIGN	ANDRINGSART / KIND OF REV.
SKALA	MATERIAL		
RIT. DRAW. ACC.	880815	S.D	INGAR I / PART OF 220 5101
REG.	audio pro Audio Pro Amplifier A100		ANM. / NOTE
LUXOR ELECTRONICS AB		RITNING / DRAWING 220 5101-01/11	ANDR. REV. INDEX 1
			BL. / SH.



**LUXOR U2**

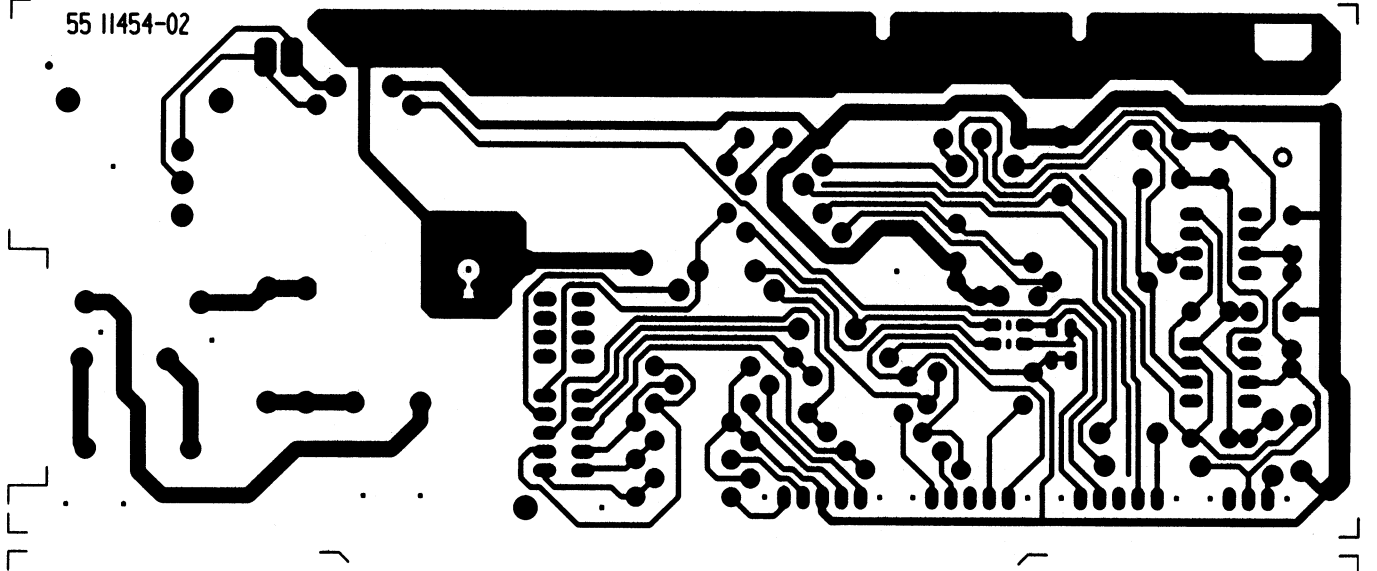
ART.NR: 55 21454-02



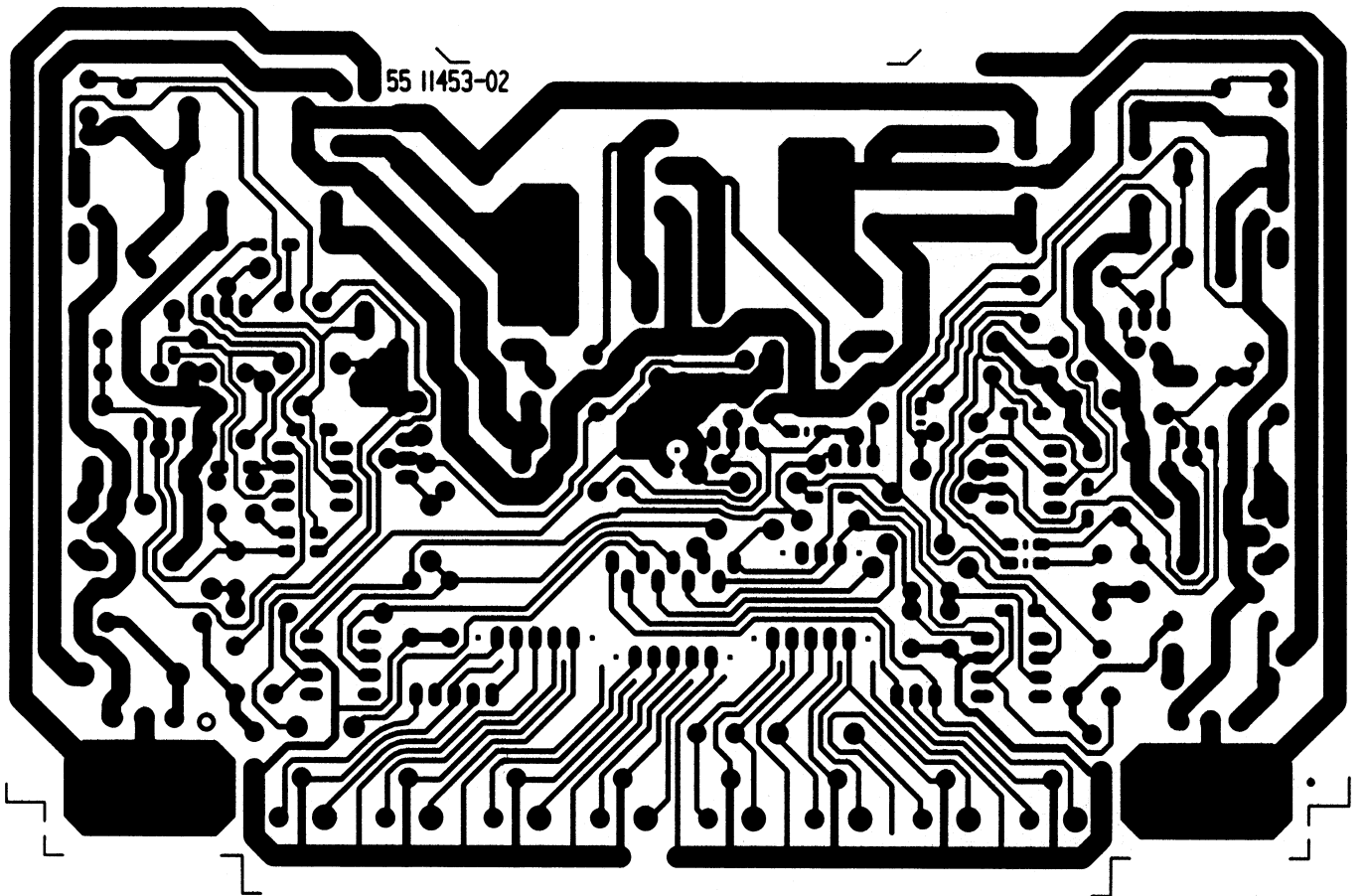
ART.NR 55 21453-02

PLOT-DATE  
88-03-22

55 11454-02



55 11453-02



FOLIE L-SIDA ( LAGER 4 )

