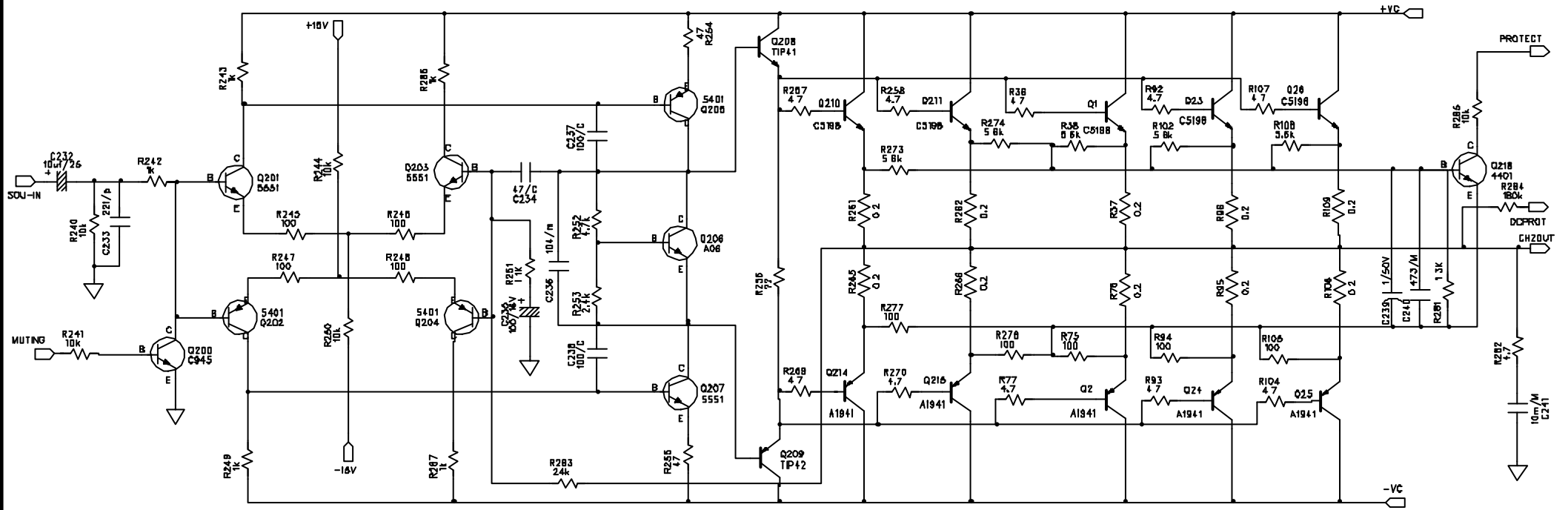
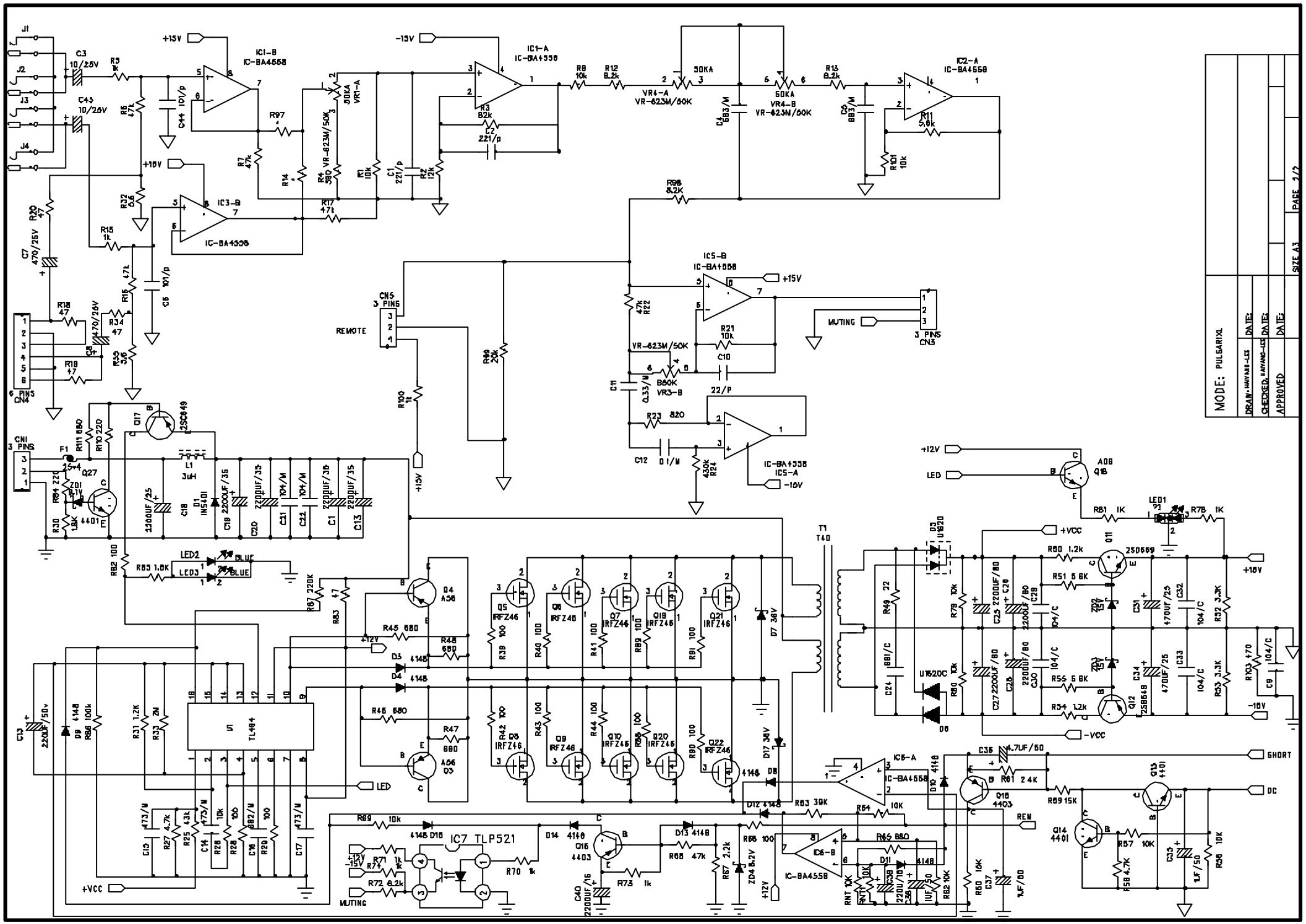




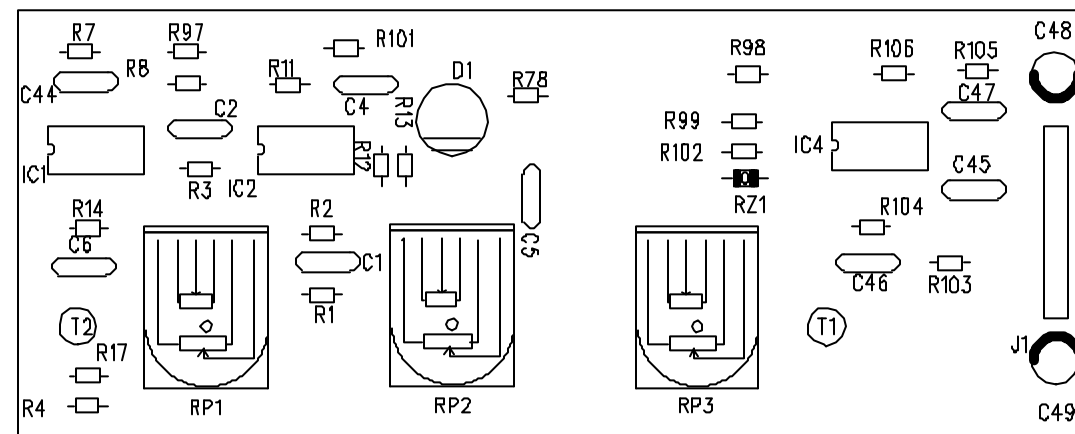
1XL

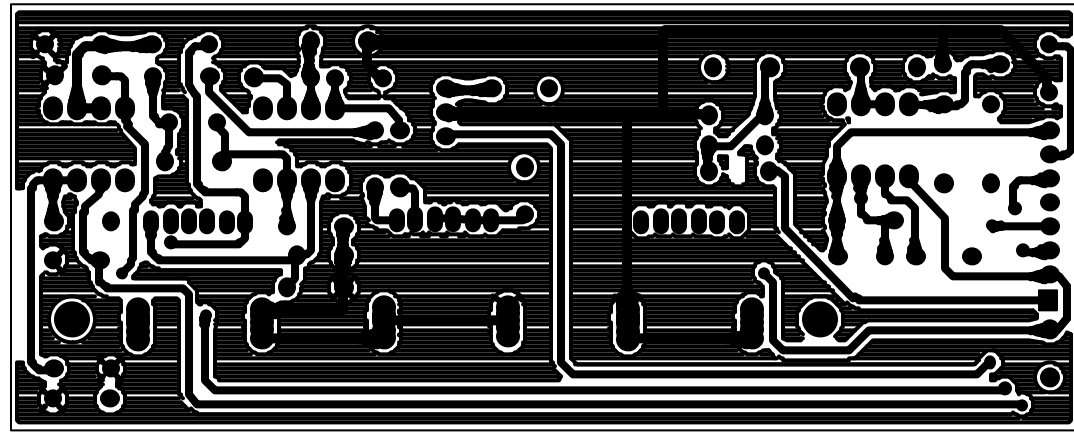


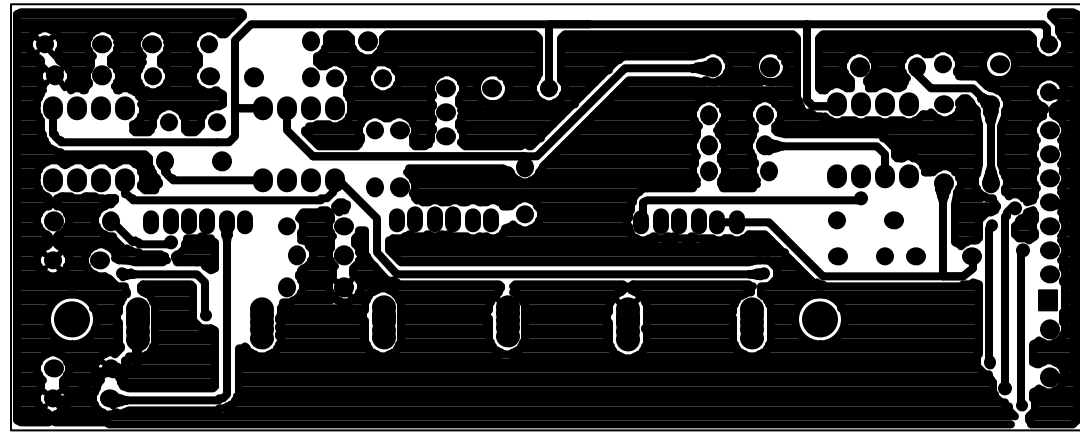
MODE: PULSAR1X1L		
DRAWN: HAYANO-LEX	DATE:	
CHECKED: HAYANO-LEX	DATE:	
APPROVED:	DATE:	
SIZE: A3	PAGE: 1/2	

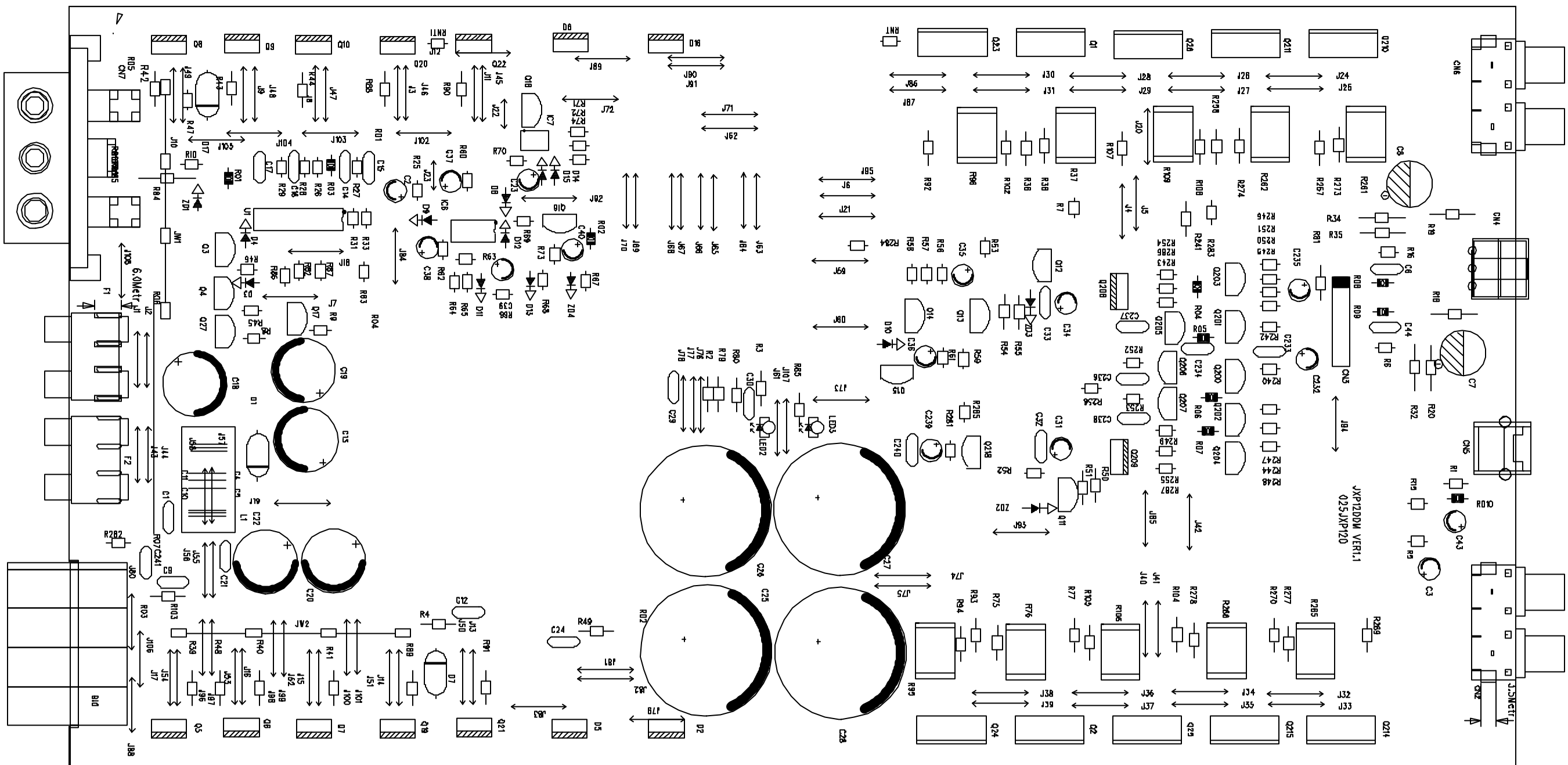


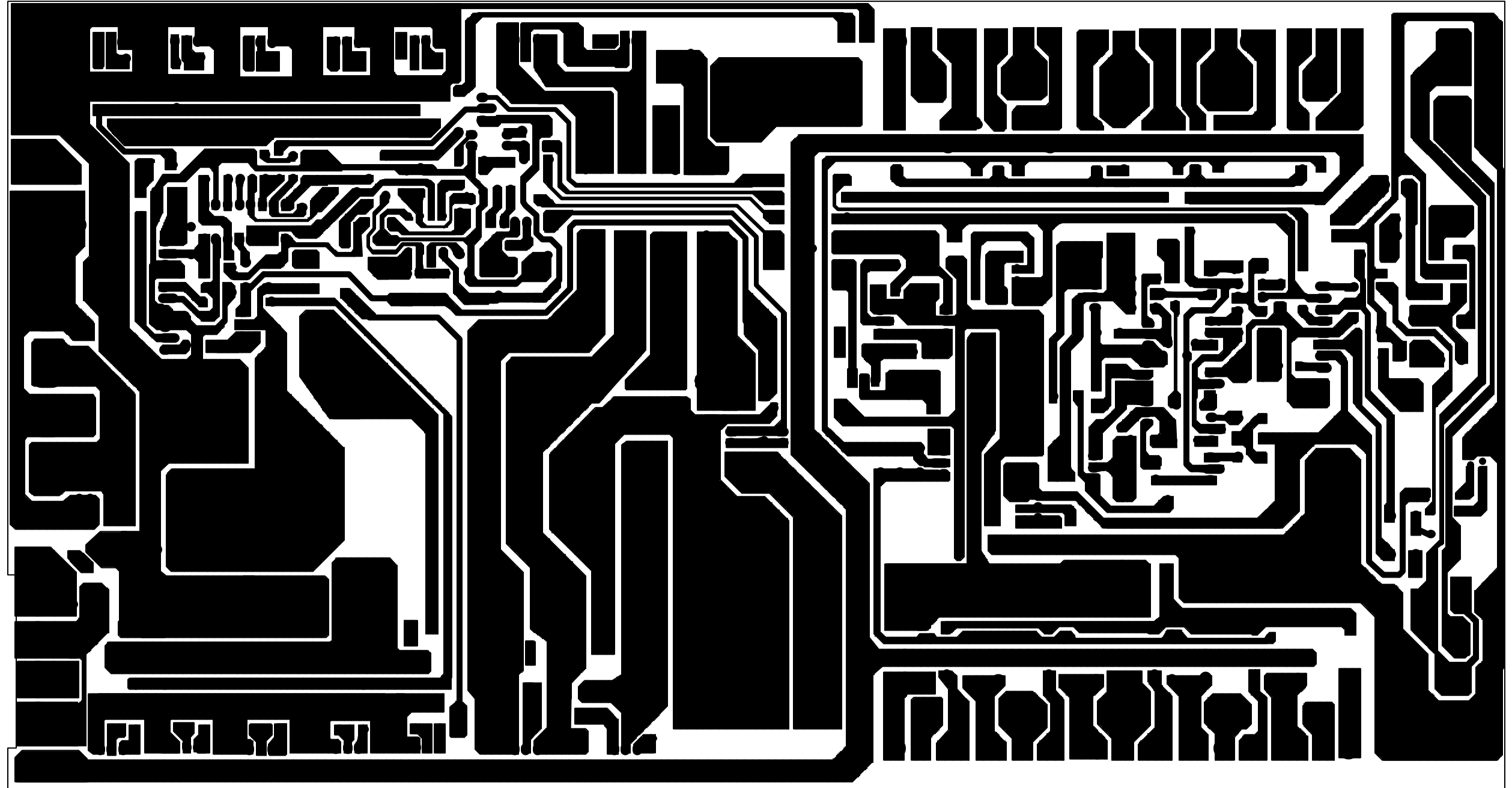
MODE: PULSAR/AL		
DRAM: HWYARI-JES	DATE:	
CHECKED: HWYARI-JES	DATE:	
APPROVED:	DATE:	

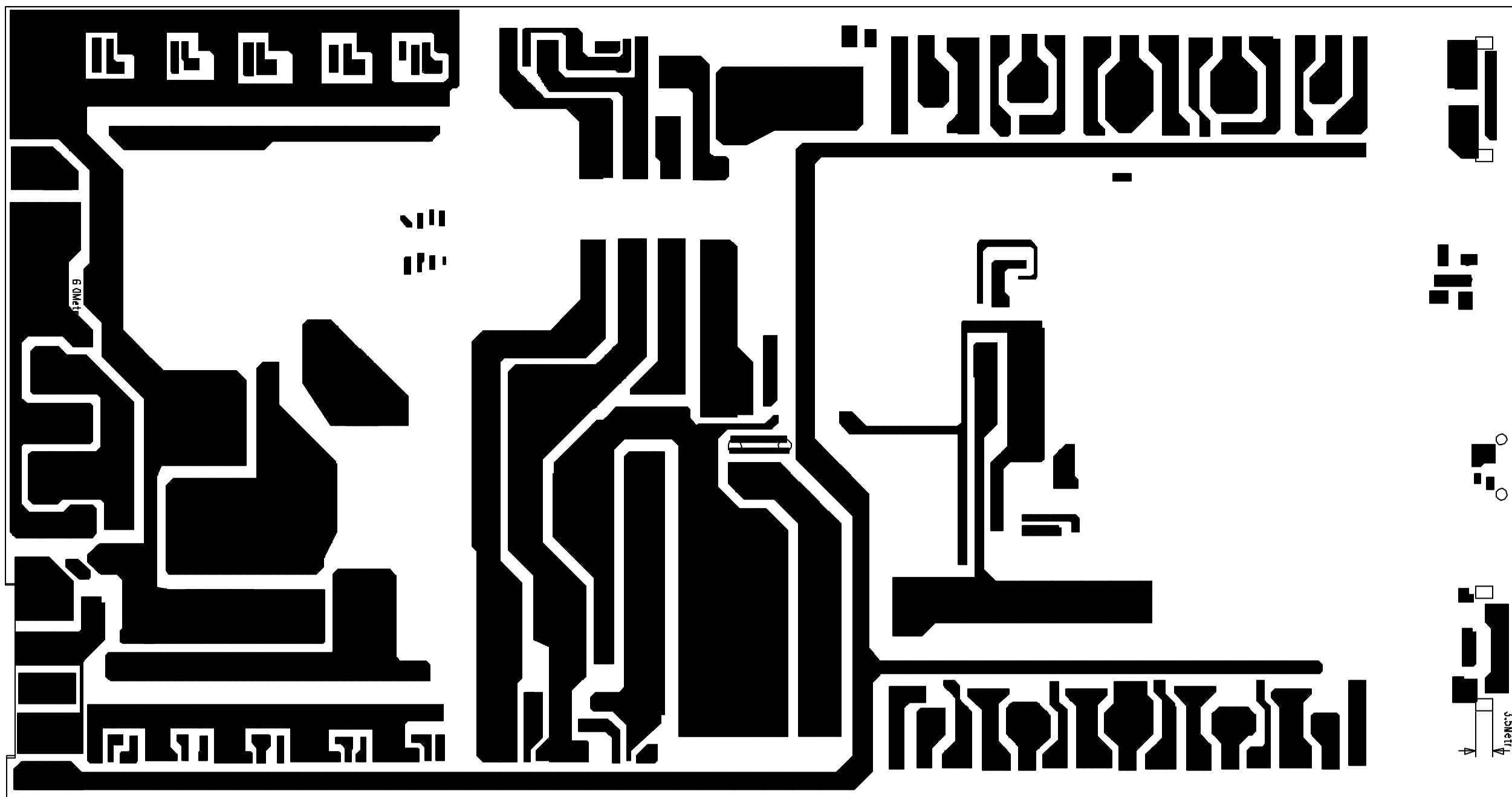












PULSAR 1XL BOM

PT-L-N036-01-C1

Date:2003-03-31

STAGE	PART NO.	NAME	DESCRIPTION	QTY	PART LOCATION
0	PULSAR 1XL				
0.1	ASYPULSAR 1XL	PULSAR MAIN BOARD		1	
.2	WZPULSAR 1XL	MAIN BOARD A/I		1	
...3	025JXP120	PCB	JXP1200用 329.5*173.5MM	1	
...3	124TN4401	TRANSISTOR	TR MOTOROLA 2N4401	4	Q13.Q218.Q14.Q27
...3	124TOSA06	TRANSISTOR	TRMOTOROLAMPSA06 80V	1	Q18
...3	124TOSA56	TRANSISTOR	TRMOTOROLAMPSA56 80V	4	Q3.Q4.Q15.Q16
...3	124TN5401	TRANSISTOR	TR MOTOROLA 2N5401	3	Q202.Q204.Q205
...3	124TN5551	TRANSISTOR	2N5551	3	Q201.Q203.Q207
...3	131TN4148	DIODE	DIODE NS1N4148HSS150MA	10	D3.D4.D8~D15
...3	132T-C882	ZINA DIODE	DIODE PHILIPS1/2W 8.2V	1	ZD4
...3	133T0J9B1	ZINA DIODE	DIODE NEC 0.5W 9.1V	1	ZD1
...3	133T0015B	ZINA DIODE	DIODE NEC RD15EB3 15V	2	ZD2.ZD3
...3	220220562	RESISTOR	carbon film RD 1/2W 5.6K	4	R2.R3.R79.R80
...3	220440101	RESISTOR	carbon filmRD 1/4W 100Ω	15	R39~44.75.88~91.94.105.277.278
...3	220440472	RESISTOR	carbon filmRD 1/4W 4.7K	5	R38.R102.R108.R273.R274
...3	220440681	RESISTOR	carbon filmRD 1/4W 680Ω	1	R48
...3	220440103	RESISTOR	carbon filmRD 1/4W 10K	1	R241
...3	22044047A	RESISTOR	carbon filmRD 1/4W 4.7Ω	10	R269.270.104.77.93.257.258.36.92.107
...3	220440471	RESISTOR	carbon filmRD 1/4W 470Ω	1	R103
...3	220880000	RESISTOR	carbon filmRD 1/8W 0Ω	10	R01~R010
...3	220880101	RESISTOR	carbon filmRD 1/8W 100Ω	5	R82.R245~R248
...3	220880102	RESISTOR	carbon filmRD 1/8W 1K	14	R81.1.5.15.70.71.73.74.242.243.249.286.287.251
...3	220880103	RESISTOR	carbon filmRD 1/8W 10K	11	R56.57.62.28.69.240.244.250.285.64.28
...3	220880104	RESISTOR	carbon filmRD 1/8W 100K	1	R86
...3	220880122	RESISTOR	carbon filmRD 1/8W 1.2K	1	R31
...3	220880132	RESISTOR	carbon filmRD 1/8W 1.3K	1	R281
...3	220880153	RESISTOR	carbon filmRD 1/8W 15K	1	R59
...3	220880184	RESISTOR	carbon filmRD 1/8W 180K	1	R284
...3	220880205	RESISTOR	carbon filmRD 1/8W 2M	1	R33
...3	220880221	RESISTOR	carbon filmRD 1/8W 220Ω	3	R256.R8.R9
...3	220880222	RESISTOR	carbon filmRD 1/8W 2.2K	1	R87
...3	220880224	RESISTOR	carbon filmRD 1/8W 220K	1	R87
...3	220880242	RESISTOR	carbon filmRD 1/8W 2.4K	2	R253.R61
...3	220880243	RESISTOR	carbon filmRD 1/8W 24K	1	R283
...3	220880302	RESISTOR	carbon filmRD 1/8W 3K	1	R29
...3	220880332	RESISTOR	carbon filmRD 1/8W 3.3K	2	R52.R53
...3	220880393	RESISTOR	carbon filmRD 1/8W 39K	1	R63
...3	220880472	RESISTOR	carbon filmRD 1/8W 4.7K	3	R58.R27.R252
...3	220880470	RESISTOR	carbon filmRD 1/8W 47Ω	3	R254.R255.R83
...3	220880473	RESISTOR	carbon filmRD 1/8W 47K	3	R68.R6.R16
...3	220880475	RESISTOR	carbon filmRD 1/8W 4.7M	1	R80
...3	220880562	RESISTOR	carbon filmRD 1/8W 5.6K	1	R10
...3	220880622	RESISTOR	carbon filmRD 1/8W 6.2K	1	R72
...3	220880681	RESISTOR	carbon filmRD 1/8W 680Ω	5	R45~R47.R84.R65
...3	31J510110	CERMET CAPACITOR	C/C NPO 100PF/100V J	5	C6.C44.C237.C238.C233
...3	31Z510410	CERMET CAPACITOR	C/C Y5V 0.1UF/100V Z	6	C1.C21.C29.C30.C32.C33
...3	31K547010	CERMET CAPACITOR	C/C Y5E 47PF/100V K	1	C234
...3	31K568125	CERMET CAPACITOR	C/C Y5E 680P/250V K	1	C12
...3	32J510410	METALLIZED POLYESTER CAPACITOR	M/C 0.1UF/100V J	2	C9.C241
...3	32J547310	METALLIZED POLYESTER CAPACITOR	M/C 0.047UF/100V J	4	C14.C15.C17.C240
...3	32J568210	METALLIZED POLYESTER CAPACITOR	M/C 0.0068uf/100V J	1	C16
...3	340Z10550	ELECTROLYTIC CAPACITOR	low cacophony1UF/50V 5*11	3	C35.C37.C38
...3	340Z10625	ELECTROLYTIC CAPACITOR	low cacophony10UF/25V 5*11	4	C3.C43.C239.C232
...3	340Z10716	ELECTROLYTIC CAPACITOR	low cacophony100U/16V 5*11	1	C235
...3	340Z47550	ELECTROLYTIC CAPACITOR	low cacophony4.7U/50V 5*11	1	C36
...3	391T63104	MET CAPACITOR	BOX 0.1U/63V MEMB	1	C236
...3	400T08009	JUMPER WIRE	JUMP 0.78*9MM	2	J22.J23
...3	400T08150	JUMPER WIRE	JUMP 0.78*15MM	104	J1~21.24~58.59~108
.2	WSPULSAR 1XL	MAIN BOARD M/I		1	
...3	220220122	RESISTOR	carbon film RD 1/2W 1.2K	2	R50.R54
...3	22022047A	RESISTOR	carbon film RD 1/2W 4.7Ω	1	R282
...3	220220682	RESISTOR	carbon film RD 1/2W 6.8K	2	R51.R55
...3	220440101	RESISTOR	carbon filmRD 1/4W 100Ω	1	R66
...3	231100220	RESISTOR(MINIMIZE)	metalized film 1Ws 22Ω	1	R4
...3	23110056A	RESISTOR(MINIMIZE)	metalized film 1Ws 5.6Ω	2	R32.R35
...3	231200470	RESISTOR(MINIMIZE)	metalized film 2Ws 47Ω	4	R18~R20.R34

PULSAR 1XL BOM

PT-L-N036-01-C1

STAGE	PART NO.	NAME	DESCRIPTION	QTY	PART LOCATION
...	13375036B	ZINA DIODE	36V 5W	2	D7.D17
...	1347N5402	DIODE	DIODE 1N5402 ET3.0A100V	1	D1
...	1257OC945	TRANSISTOR	TR NEC 2SC945P 0.1A60V	1	Q200
...	1267SD669	TRANSISTOR	2SD669	1	Q11
...	1267SB649	TRANSISTOR	2SB649	2	Q12.Q17
...	1287T141C	TRANSISTOR	T1P41C	1	Q208
...	1287T142C	TRANSISTOR	T1P42C	1	Q209
...	1547O4558	IC DIP8	ROHM BA4558	1	IC6
...	1547TP521	IC	6A P521	1	IC7
...	1587TL494	IC DIP16	NEC UPC494 OR TI TL494	1	U1
...	23150002A	CEMENT RESISTOR	SQM 5W 0.2Ω (立式)H=17	10	R95.R96.R106.R109.37.76.261.262.265.266
...	2617O5103	THERMISTOR	NTC THERMISTOR D103J 10K	2	RNT.RNT1
...	340722716	ELECTROLYTIC CAPACITOR	low cacophony220UF/16V B*12	1	C39
...	340747225	ELECTROLYTIC CAPACITOR	low cacophony470UF/25V B*14	6	C7.C8.C31.C34.C40.C2
...	340722880	low cacophonyELECTROLYTIC CAPACITOR	2200UF/80V 30*25	4	C25~C28
...	341722825	low cacophonyELECTROLYTIC CAPACITOR	2200UF/25V 16*26 105	1	C18
...	341722835	low cacophonyELECTROLYTIC CAPACITOR	2200UF/35V 16*26 105	4	C19.C20.C22.C13
...	4007O8150	JUMPER WIRE	JUMP 0.78*15MM	2	J57.J58
...	531725008	TERMINAL	8P插座 P=2.5MM	1	CN3
...	571718060	TERMINAL WITH WIRE	1015#AWG 18 60MM附端子	1	R05
...	8627O0010	FIBER TUBE	10MM φ1.0	4	套RNT.RNT1
...	8627O0013	FIBER TUBE	13MM φ1.0	2	套J57.J58
..2	EPULSAR 1XL	MAIN BOARD HAND SILDERING PARTS		1	
...	1247OS406	TRANSISTOR	TRMOTOROLAMPSA06 80V	1	Q206
...	1287A1941	TRANSISTOR	TRTOSHIBA A1941P10A	5	Q24.Q2.Q25.Q214.Q215
...	1287C5198	TRANSISTOR	TRTOSHIBAC5198N10A	5	Q1.Q23.Q26.Q211.Q210
...	13571620C	DIODE	DIODE MOTOROLA 1620CT	1	D5
...	13571620R	DIODE	DIODE MOTOROLA 1620CTR	1	D6
...	1237RFZ4N	TRANSISTOR	IR IRFZ46N	10	Q6~Q10.Q19~Q22.Q5
...	172741026	TOROIDAL INDUCTOR	T23*90-26 1.2*5 2.6uH	1	L1
...	182747419	POWER TRANSFORMER	ψ47 4:19F=1.0*6 S=1.0*4	1	
...	400725043	JUMPER WIRE	φ2.5*43.5mm H=15	1	
...	400725055	JUMPER WIRE	φ2.5*55mm H=15	1	
...	400725113	JUMPER WIRE	φ2.5*113mm H=15	1	
...	410721004	JUMPER WIRE	4P直腳 2.1*55.5MM	2	
...	5227RC292	RCA	左右紅鍍金插座RCA-023	2	
...	5427I2039B	TERMIANL	3P端子台 黑色 下折腳	1	CN1
...	5427I1354B	TERMIANL	4P端子台 黑色 下折腳	1	CN8
...	4477O0001	FUSE HOLDER	插PCB用加絨維 雙聯	2	F1.F2
...	4357O0025	FUSE	插片式保險絲 25A ATC	4	F1.F2
...	533742006	TERMINAL	6P插座P=4.2彎腳90度無耳	1	CN4
...	4507K6P15	REMOTE CONNECTOR	6P 15MM 方形	1	CN5
...	8627O0005	FIBER TUBE	5MM φ1.0	1	套Q206
0.1	ASYPULSAR 1XLL	SMALL PCB PARTS		1	
..2	WSPULSAR 1XLL	SMALL PCB PARTS A/I		1	
...	0837XP120	PCB	JXP1200&JXP600用135*45MM	1	
...	220880000	RESISTOR	carbon filmRD 1/8W 0Ω	1	RZ1
...	220880103	RESISTOR	carbon filmRD 1/8W 10K	5	R1.R8.R101.R104.R99
...	220880112	RESISTOR	carbon filmRD 1/8W 1.1K	1	R98
...	220880123	RESISTOR	carbon filmRD 1/8W 12K	1	R2
...	220880331	RESISTOR	carbon filmRD 1/8W 330Ω	1	R4
...	220880392	RESISTOR	carbon filmRD 1/8W 3.9K	1	R78
...	220880434	RESISTOR	carbon filmRD 1/8W 430K	1	R105
...	220880472	RESISTOR	carbon filmRD 1/8W 4.7K	2	R14.R97
...	220880473	RESISTOR	carbon filmRD 1/8W 47K	3	R103.R7.R17
...	220880562	RESISTOR	carbon filmRD 1/8W 5.6K	1	R11
...	220880821	RESISTOR	carbon filmRD 1/8W 820Ω	1	R106
...	220880822	RESISTOR	carbon filmRD 1/8W 8.2K	3	R102.R12.R13
...	220880823	RESISTOR	carbon filmRD 1/8W 82K	1	R3
...	31J522010	CERMET CAPACITOR	C/C NPO 22PF/100V J編帶	1	C46
...	31J522110	CERMET CAPACITOR	C/C NPO 220PF/100V編帶	4	C1.C2.C44.C6
...	340Z10716	ELECTROLYTIC CAPACITOR	low cacophony100U/16V 5*11編帶	2	C48.C49
...	391763104	MET CAPACITOR	BOX 0.1U/83V MEMB	1	C47
...	391763334	MET CAPACITOR	BOX 0.33U/63V MEMB	1	C45
...	391763683	MET CAPACITOR	BOX 0.068U/63V MEMB	2	C4.C5
..2	WSPULSAR 1XLL	SMALL PCB M/I PART		1	
...	1547O4558	IC DIP8	ROHM BA4558 雙排引腳	3	IC1.IC2.IC4

PULSAR 1XL BOM

PT-L-N036-01-C1

STAGE	PART NO.	NAME	DESCRIPTION	QTY	PART LOCATION
Date:2003-03-31					
..2	EPULSAR 1XLL	SMALL PCB HAND SILDERING		1	
...3	137R00525	LED	LED 5 ψ 紅綠雙色圓形三PIN	1	D1
...3	202T12B53	POTENTIOMETER	RP12A12H01-B50K-15KQ	2	PR1.PR2
...3	202T12C53	POTENTIOMETER	PR12A12H01-C50K-15KQ	1	PR3
...3	571T10008	WIRE WITH TERMINAL	1007#26 8P附線100MM T=5	1	
...3	862T00009	FIBER TUBE	9MM ϕ 1.0	1	套D1
0.1	ASYXA REMOTE	XA REMOTE ASSEMBLE PARTS		1	
..2	023T02243	PCB	XA&dB用遙控板 22*43mm	1	
..2	450YK6P15	REMOTE JACK	6P 15MM 方形	1	
..2	137T03G00	LED	LED3MM綠色圓形BL-B2141	1	
..2	204T15A13	POTENTIOMETER	WH9011A-2 A10K L=15mm	1	
..2	576Y80006	REMOTE WIRE	6000MM 6芯加端子CN*2	1	
..2	721T26065	SCREW	PT圓頭破尾2.6*6mm電鍍黑	2	
..2	811T56017	PLASTIC KNOB	BLAUPUNKT 機種使用	1	
..2	818TX1245	TOP COVER OF REMOTE CASE	XA遙控器用	1	
..2	818TX1246	BOTTOM COVER OF REMOTE CASE	XA用	1	
..2	873Y80810	PE BAG	8*10 0.08有環保標誌.警語	1	
0.1	APULSAR 1XL	ASSEMBLE PARTS		1	
* ..2	621B25038	TRANSISTOR BAR	1孔 2.5*15*38MM(大陸)	3	
* ..2	621B25138	TRANSISTOR BAR	1孔 2.5*15*38MM (偏心)	1	
..2	622B25060	TRANSISTOR BAR	2孔 2.5*15*60MM	1	
..2	623B25060	TRANSISTOR BAR	3孔 2.5*15*60MM(大陸)	2	
..2	623B25082	TRANSISTOR BAR	3孔 2.5*15*82MM(大陸)	1	
..2	655PUL330	HEATSINK	L=330 PULSAR 1XL用	1	
..2	676PUL1XL	RIGHT PANEL	PULSAR 1XL用	1	
..2	686PUL1XL	LEFT PANEL	PULSAR 1XL用	1	
..2	693PUL1XL	TOP PLATE	PULSAR 1XL用	1	
* ..2	717T14125	SCREW	六角頭4*12MM電鍍銀	14	鎖壓條
..2	717T63083	SCREW	3*8圓柱頭內六角 鍍銀	4	鎖銘牌
..2	711T04083	SCREW	M4*8MM 圓頭機械牙 鍍銀	8	鎖頂板
* ..2	721T63063	SCREW	M3*6十字圓頭平尾鍍銀	8	鎖左右側板.
..2	721T63086	SCREW	PTS 圓頭割尾 M3*8鍍銀	8	鎖RCA.FUSE及端子臺.銅柱
..2	724T53053	SCREW	M3*5自攻牙帶墊片 鍍黑	6	固定PCB
* ..2	735T60003	PLASTIC NUT	M3 塑膠六角螺母	2	
..2	772T00009	PLASTIC SUPPORT	TP-9	2	固定PCB
..2	820PULXXL	BADGE	PULSAR 系列共用	1	
* ..2	830PUL300	VU INSULATION PAD	PULSAR 1XL用	1	
..2	830T90100	INSULATION PAD	90*100MM	1	
..2	830T03010	INSULATION PAD	3*10*1mm	6	
* ..2	831360024A	INSULATION PAD	1孔 36*24MM	1	
..2	831T25046A	INSULATION PAD	1孔 25*46MM	3	
..2	83225063A	INSULATION PAD	2孔 25*63MM 孔距22	2	
..2	833T23065A	INSULATION PAD	3孔 23*65MM	2	
..2	843T61010	EVA	海棉墊 單面背膠10*10*6MM	1	貼熱敏電阻
..2	843651212	EVA	單面背膠 12*12*6.5mm	1	墊2N4401TRANSISTOR
..2	843T60510	EVA	5*10*6mm	1	
..2	952PUL1XL	LABEL	PULSAR 1XL用	1	
0.1	TPULSAR 1XL	PACKAGING		1	
..2	435T00025	FUSE	插片式保險絲 25A ATC	1	附件包
..2	721T64195	SCREW	PT 4*19mm 鍍銀	4	附件包
* ..2	750T30053	ALLEN WRENCH	18*53 T=3MM	1	
* ..2	750T32053	ALLEN WRENCH	2.0*53MM	1	
..2	750T00025	ALLEN WRENCH	T=2.5	1	附件包
..2	751T42088	GASKET	4.2*8.8*0.5MM(大陸)	1	附件包
..2	761T04001	GASKET	彈簧墊片4 ϕ 電鍍黑	4	附件包
..2	872T40405	PE BAG	4*5 0.04MM厚有環保標誌	1	裝附件
..2	873Y81014	PE BAG	10*14*0.08厚環保標誌警語	1	裝說明書
..2	873Y81420	PE BAG	14*20 0.08環保標誌.警語	1	裝機蓋
..2	915PUL1XL	OWNER'S MANUAL	PULSAR 1XL用	1	
..2	932PULXXL	STYROFOAM	PULSAR 共用	2	
..2	947PUL1XL	GIFT BOX	PULSAR 1XL用	1	
* ..2	958PUL1XL	SERIAL NUMBER LABEL	PULSAR 1XL用	1	
..2	965PUL1XL	MASTER CARTON	PULSAR 1XL用	1/4	
..2	999T20002	SILICON	2g	1	
主管:		機械校對:	電子校對:		經辦人: