

* Added to reduce
RF line through.

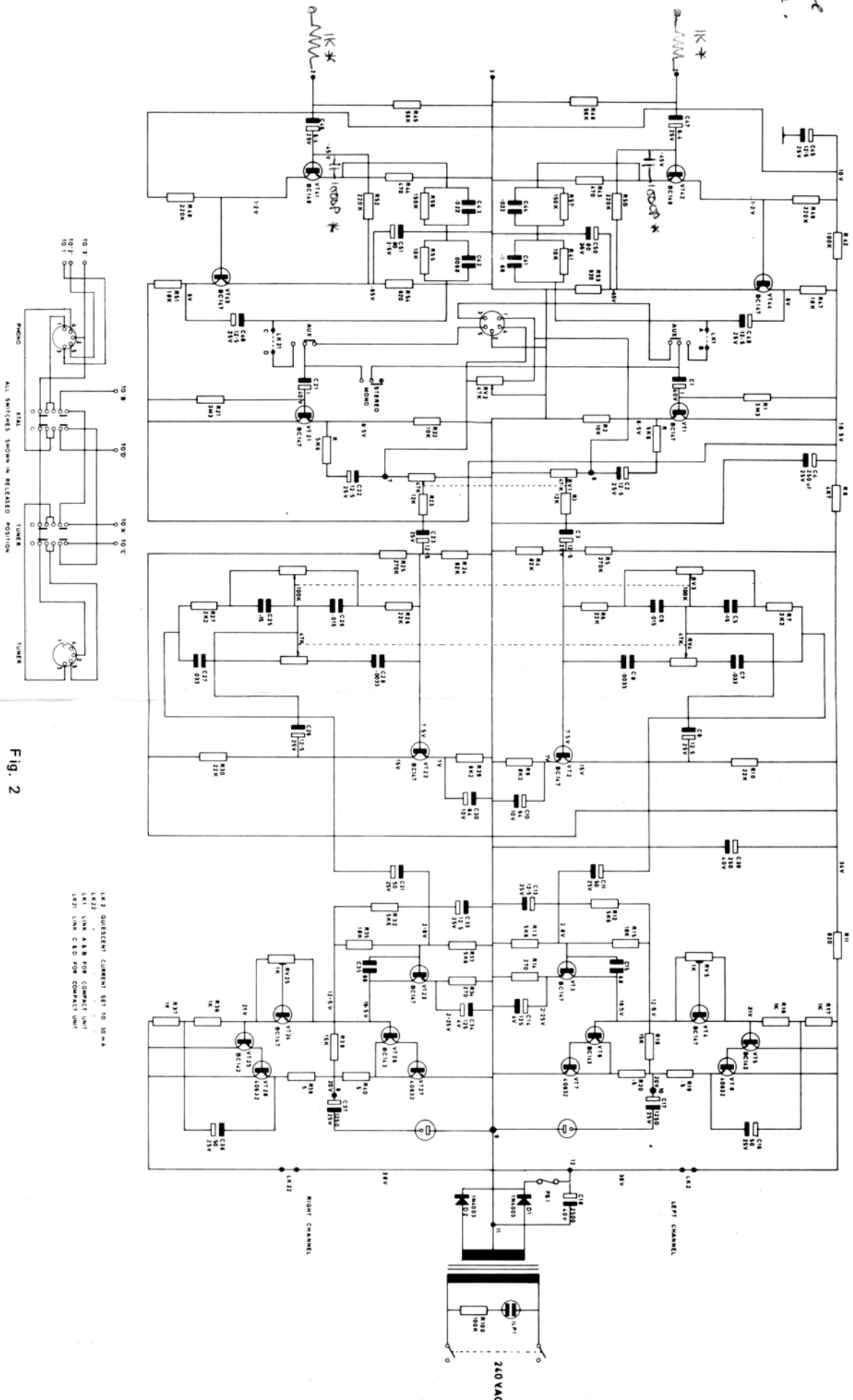


Fig. 2

LK1 QUIESCENT CURRENT SET TO 30mA
 LK2 LINE A.B.B FOR COMPACT UNIT
 LK3 LINE C.B.D FOR COMPACT UNIT