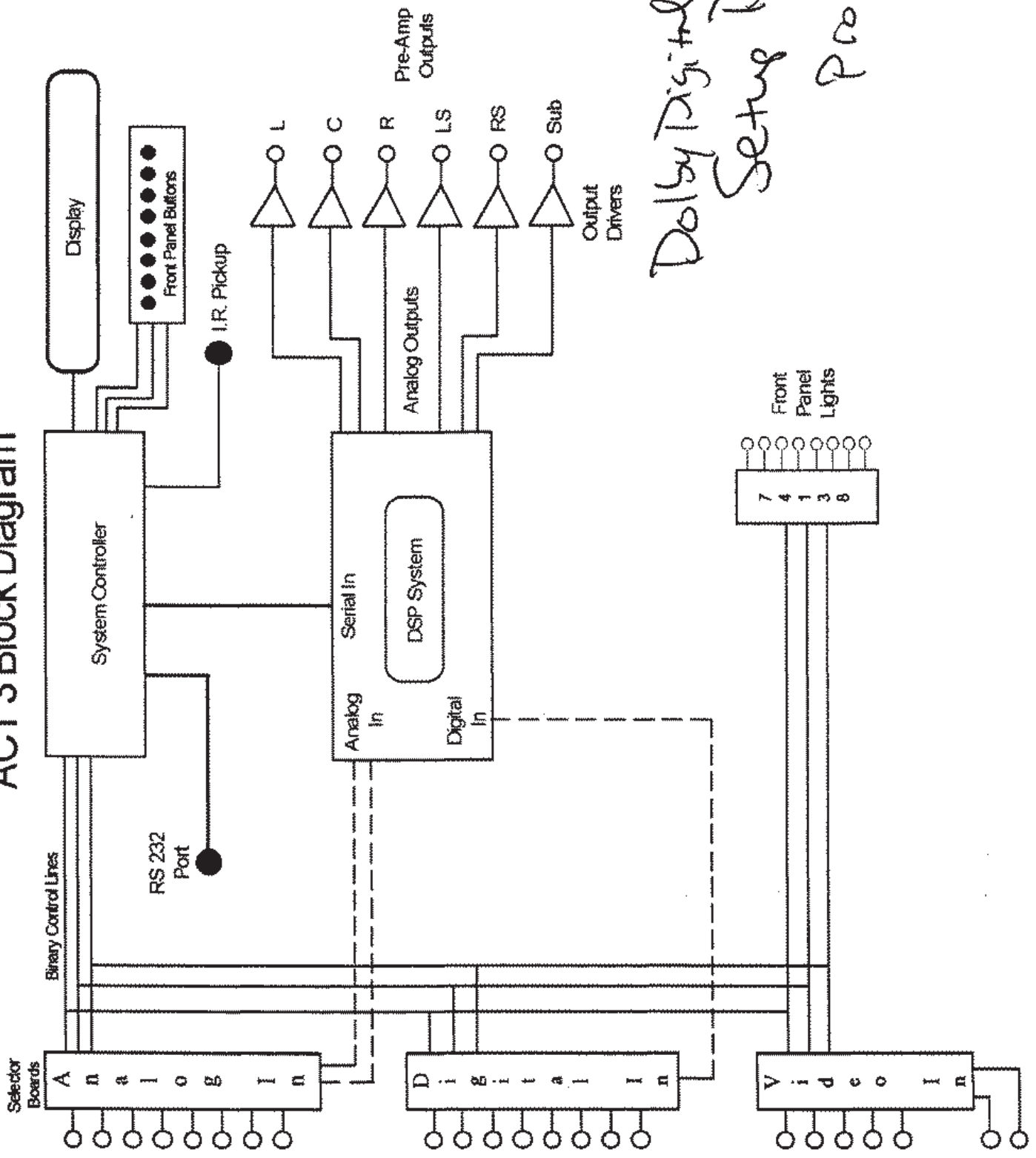


MONDIAL Designs

accurus act 3

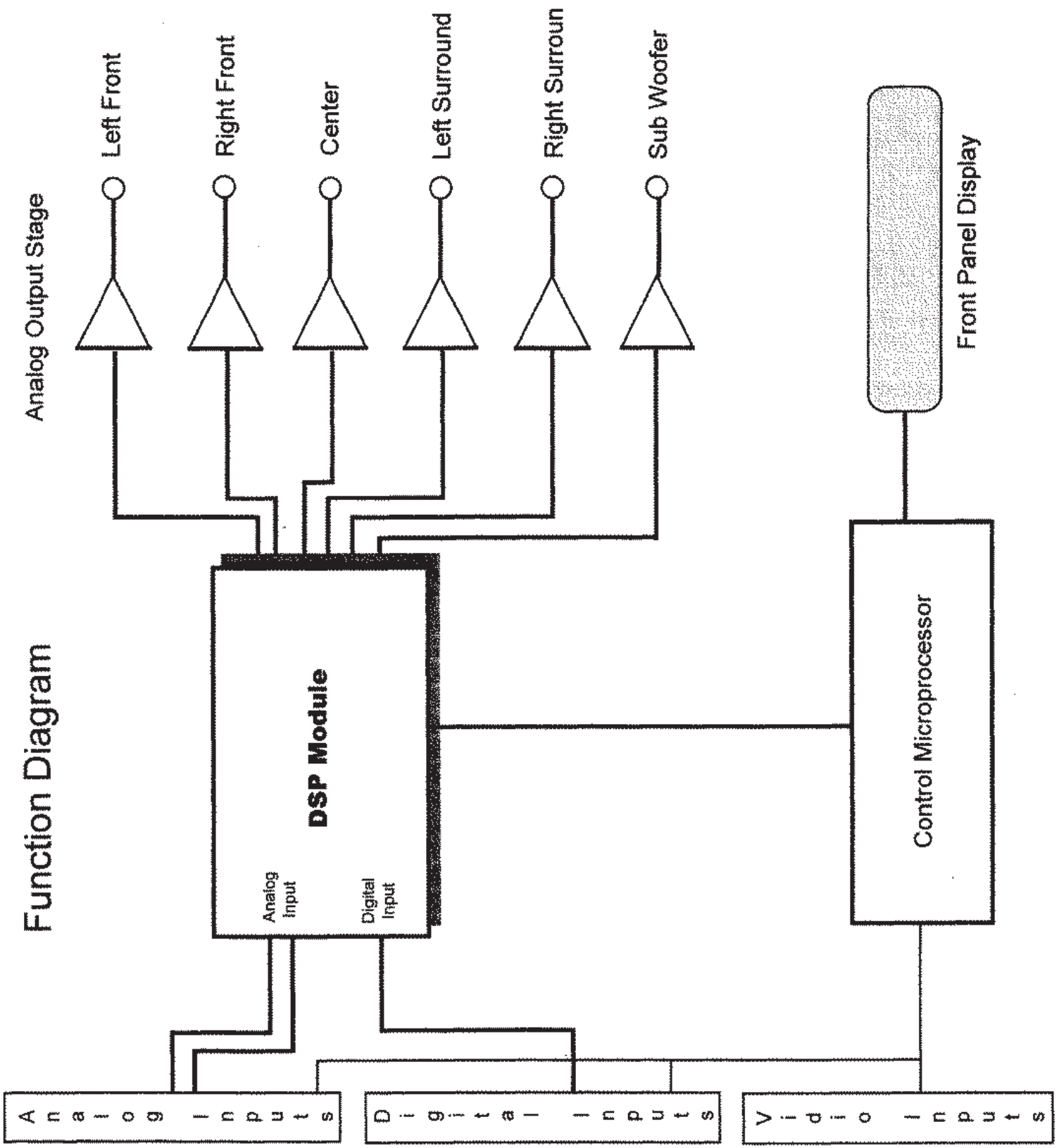
Digital Surround Processor

ACT 3 Block Diagram



*Dolby Digital Setup Disc
Pro-logic?*

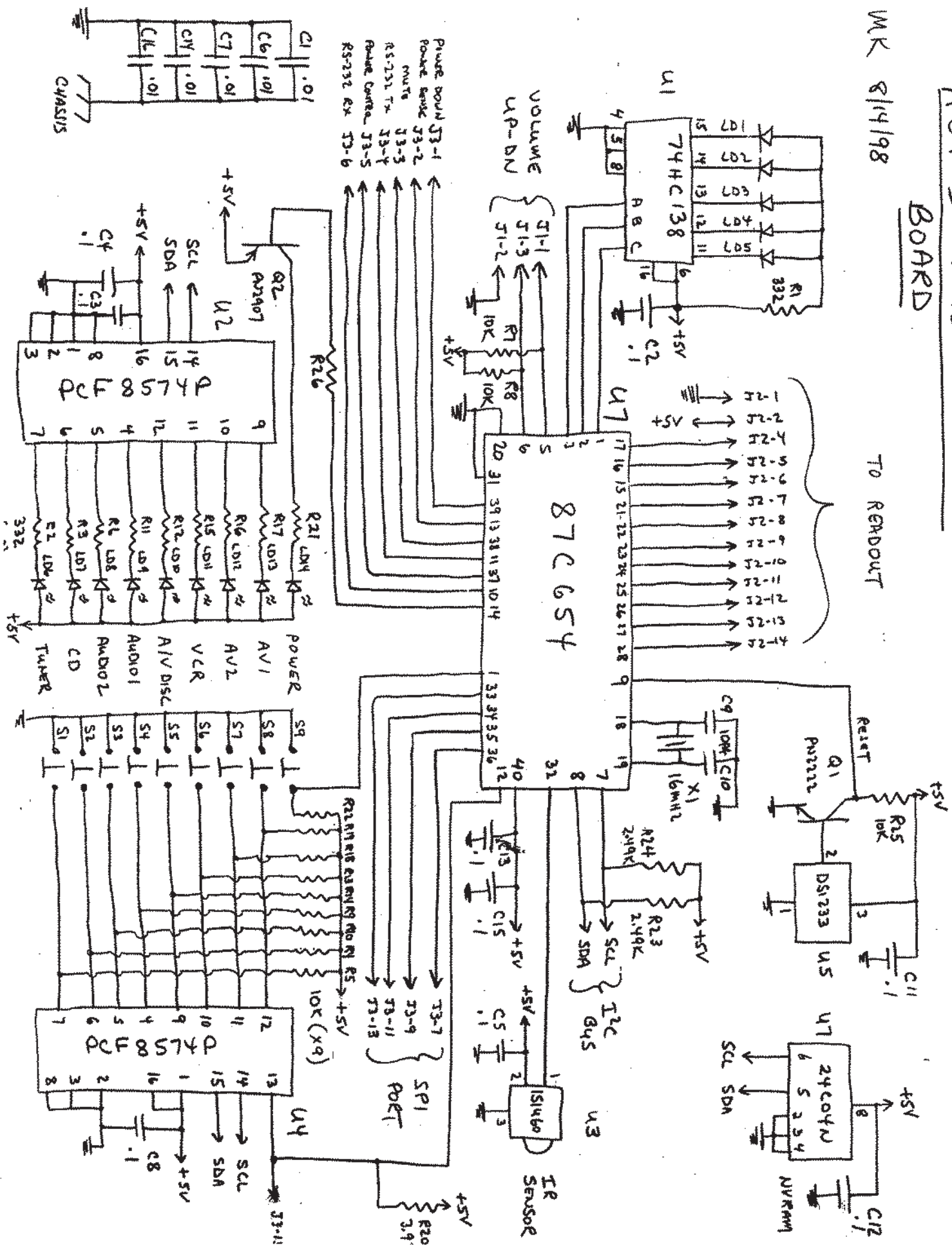
Function Diagram



ACT-3 FRONT PANEL BOARD

MK 8/14/98

TO REAROUT



- Power Down J3-1
- Power Sense J3-2
- MUTE J3-3
- RS-232 Tx J3-4
- Power Control J3-5
- RS-232 Rx J3-6

VOLUME UP-DN

87C654

U1

U7

IR SENSOR

U3

U4

U5

U7

U8

U9

U10

U11

U12

U13

U14

U15

U16

U17

U18

U19

U20

U21

U22

U23

U24

U25

U26

U27

U28

U29

U30

U31

U32

U33

U34

U35

U36

U37

U38

U39

U40

U41

U42

U43

U44

U45

U46

U47

U48

U49

U50

U51

U52

U53

U54

U55

U56

U57

U58

U59

U60

U61

U62

U63

U64

U65

U66

U67

U68

U69

U70

U71

U72

U73

U74

U75

U76

U77

U78

U79

U80

U81

U82

U83

U84

U85

U86

U87

U88

U89

U90

U91

U92

U93

U94

U95

U96

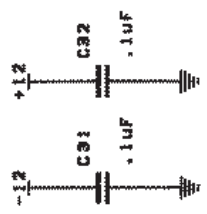
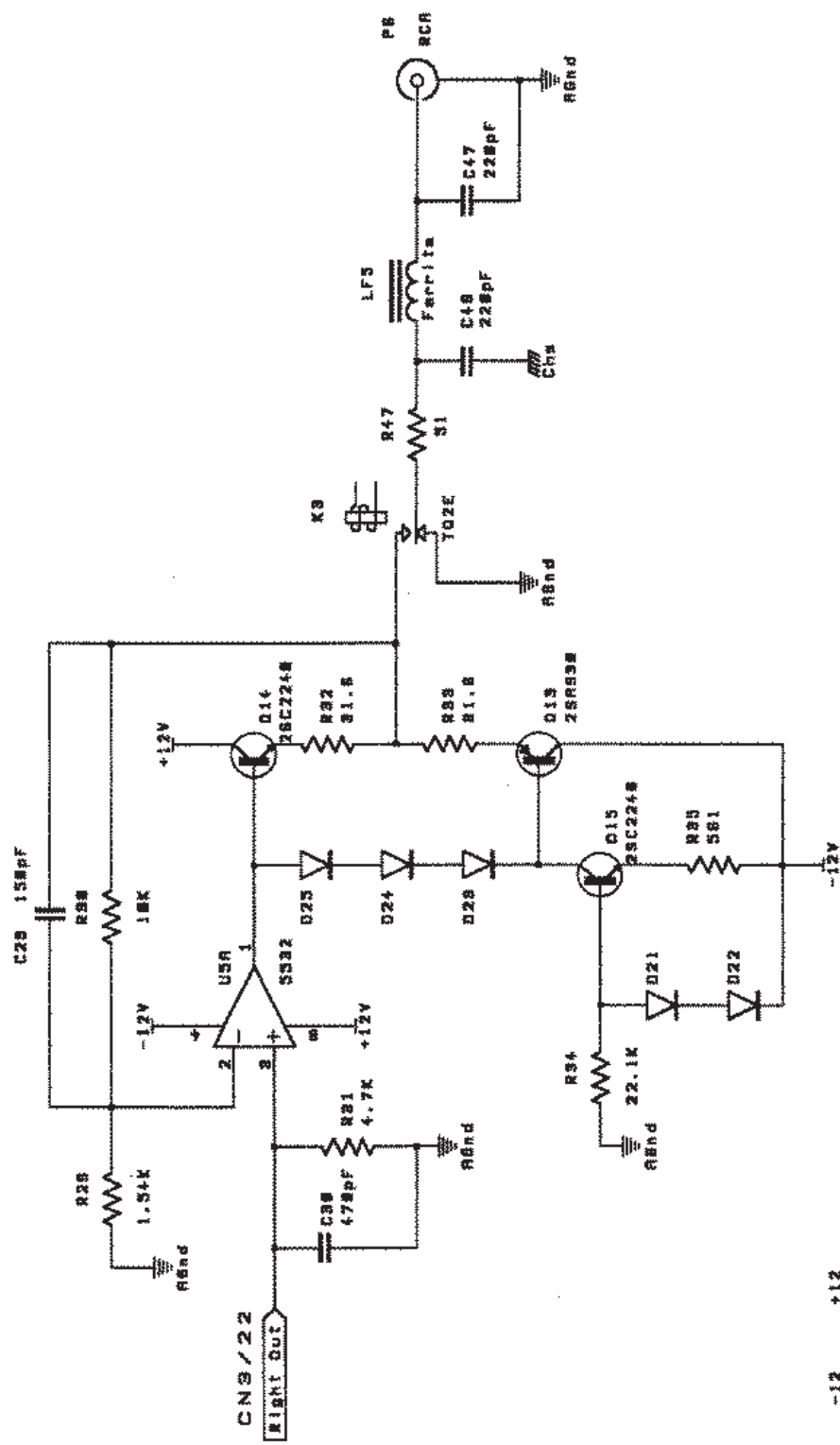
U97

U98

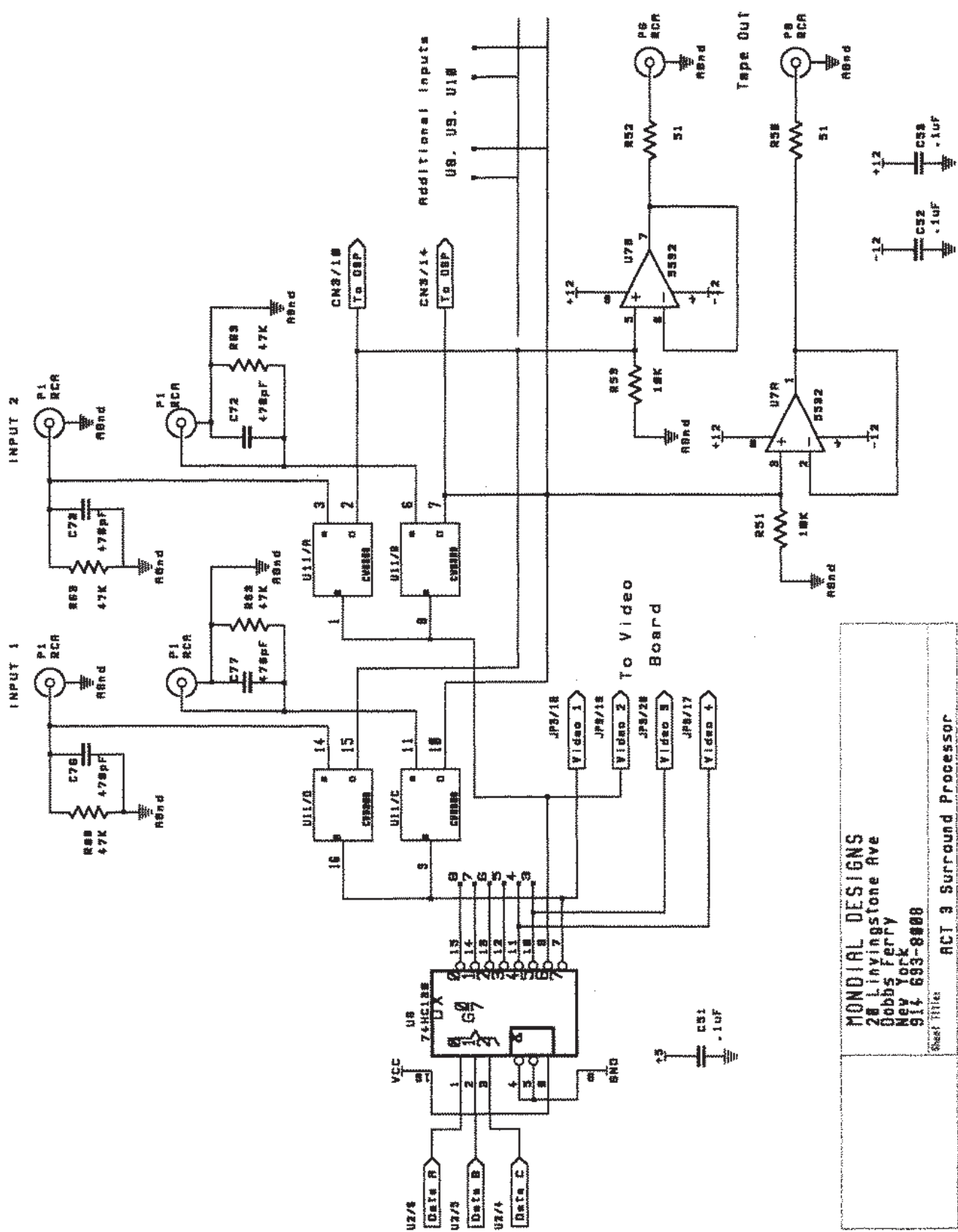
U99

U100

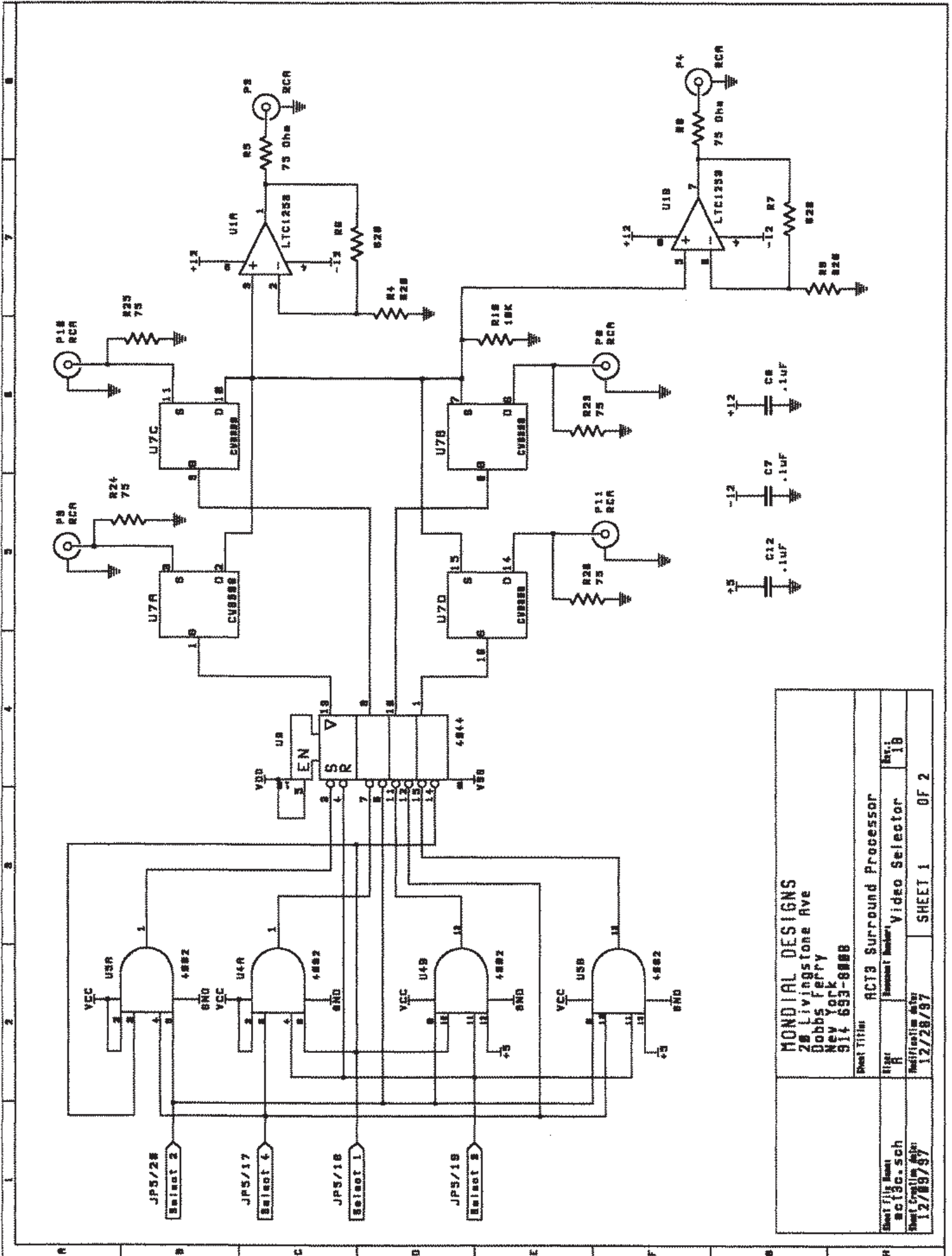
AUDIO OUTPUT STAGE
FRONT RIGHT CHANNEL



MONDIAL DESIGNS 20 Livingstone Ave Hobbs Ferry New York 914 693-8008		ACT3 Surround Processor Right Channel Output	
Date: 12/18/97 Drawn: S. sch Checked: 12/18/97	Part: R Rev: 1 Date: 12/29/97	Sheet: 5 Of: 6	Project: Right Channel Output

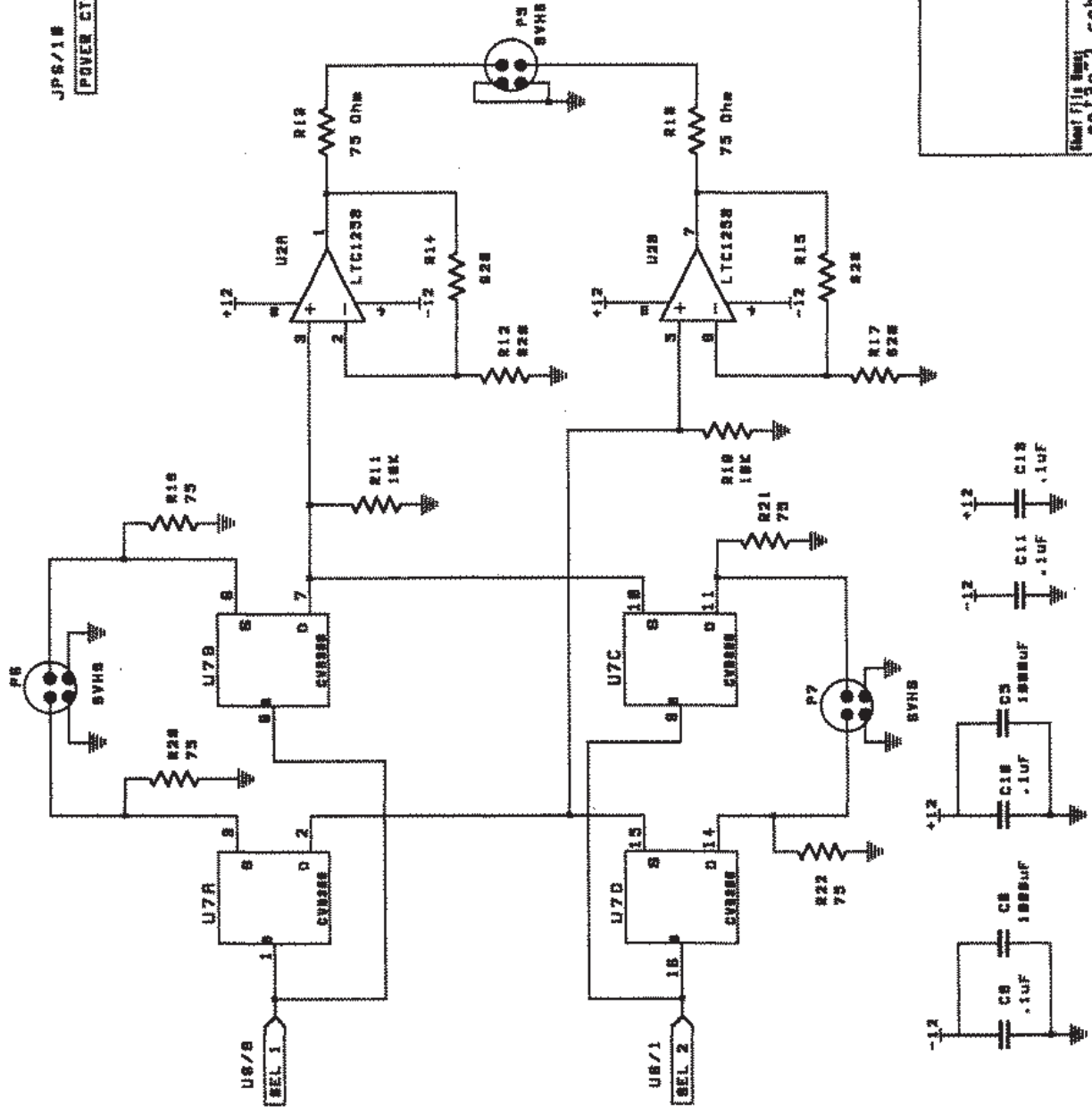


U2/S Data A U3/S Data B U7/T Data C U8 7414 Hex G7 VCC GND	U11/A U11/B U11/C U11/R U11/S JP8/18 Video 1 JP8/19 Video 2 JP8/20 Video 3 JP8/21 Video 4 JP8/22 Video 5 JP8/23 Video 6 C81 0.1uF +12 -12 C82 0.1uF C83 0.1uF R68 47K R69 47K C76 478pF C77 478pF C78 478pF C79 478pF R51 10K R52 10K R53 10K R54 10K R55 10K R56 10K R57 10K P1 RCA P1 RCA P1 RCA P1 RCA INPUT 1 INPUT 2 To Video Board To DSP To DSP Additional inputs U8, U9, U10	P1 RCA P1 RCA P1 RCA P1 RCA R51 10K R52 10K R53 10K R54 10K R55 10K R56 10K R57 10K C81 0.1uF C82 0.1uF C83 0.1uF +12 -12 Video 1 Video 2 Video 3 Video 4 Video 5 Video 6 ACT 3 Surround Processor 28 Livingstone Ave Hobbs Ferry New York 914 683-8000 12/10/87 12/28/87 ACT 3 Surround Processor Analog Input Selector Rev. 1 1B SHEET 1 OF 1
---	---	--

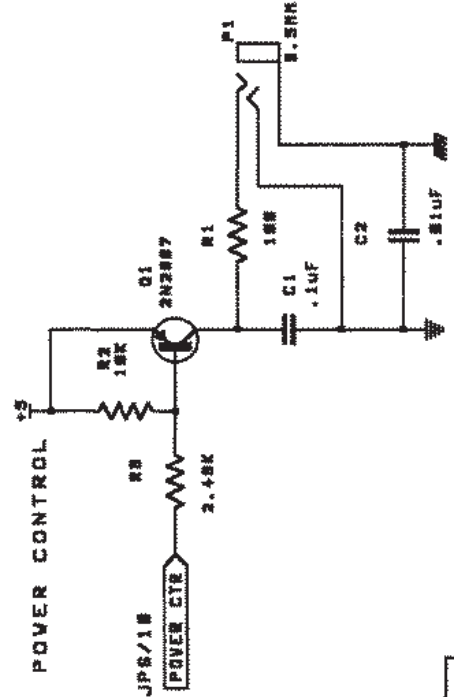


MONDIAL DESIGNS	
28 Livingston Ave Dobbs Ferry New York 914 693-8888	
Sheet Title:	AC13 Surround Processor
Sheet #/Total Sheets:	1/1
Revision #/Date:	1/2/28/97
Project #/Name:	12/28/97
Drawn By:	Video Selector
Checked By:	Inv: 1B
Sheet #/Total Sheets:	1/2

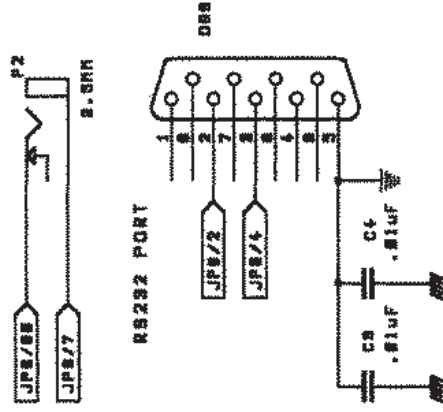
SVHS SELECTOR



EXTERNAL POWER CONTROL



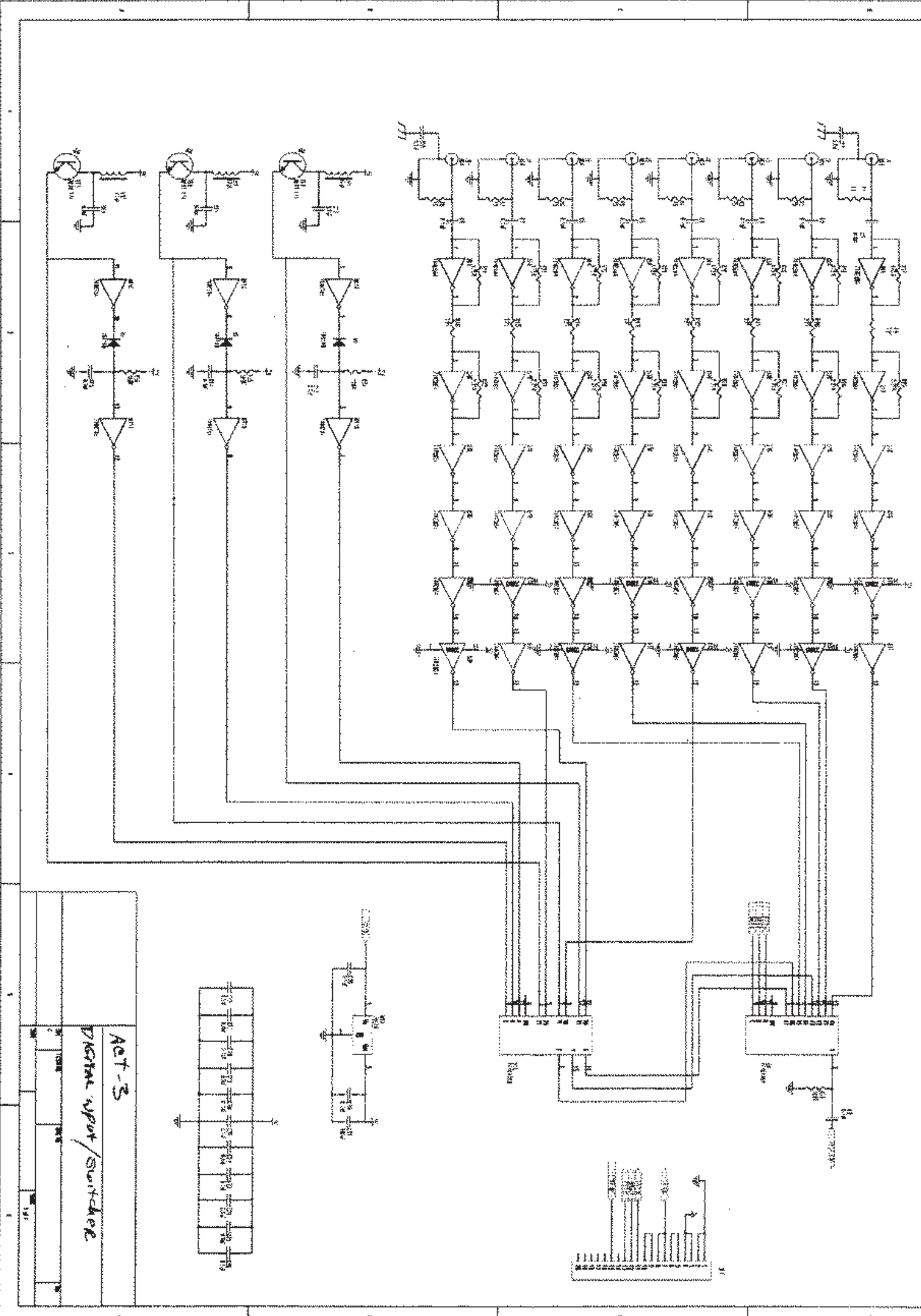
EXTERNAL IR INPUT



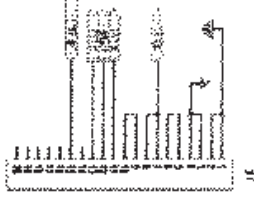
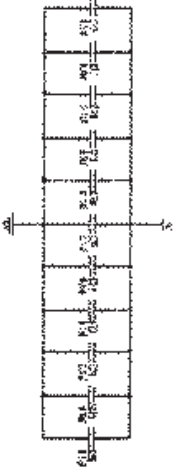
MONDIAL DESIGNS
 28 Livingstone Ave
 Hobbs Ferry
 New York
 914 693-8988

Sheet Title: ACT3 Surround Processor
 Sheet No: A
 Revision Number: 1B
 Issue Date: 12/28/87
 Drawing Date: 12/28/87

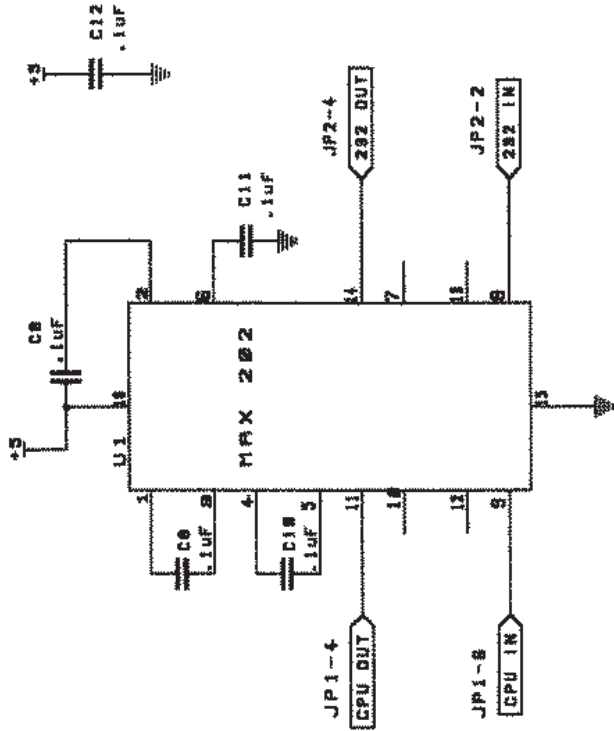
SHEET 2 OF 2



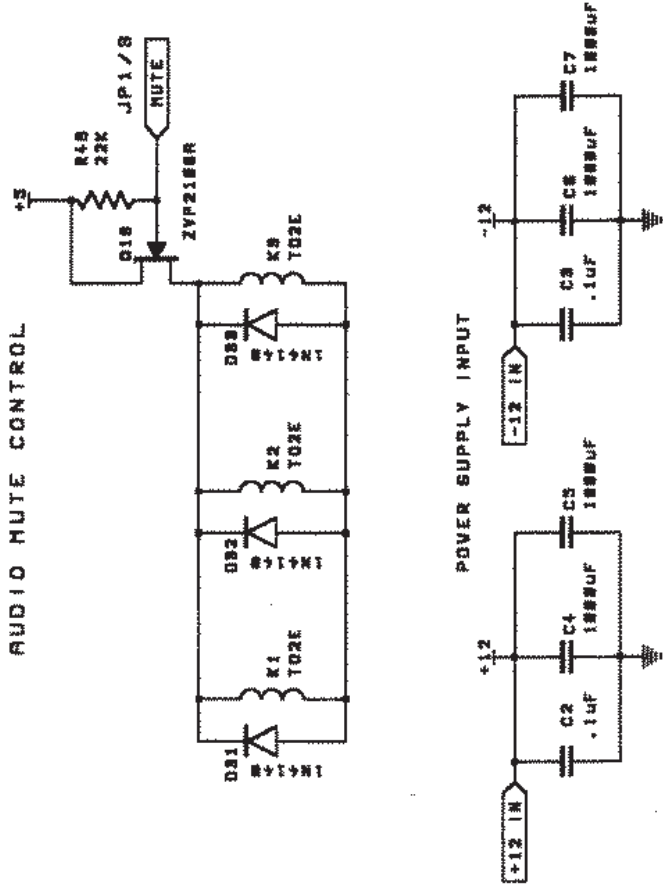
ACT-3
DIGITAL input/switches



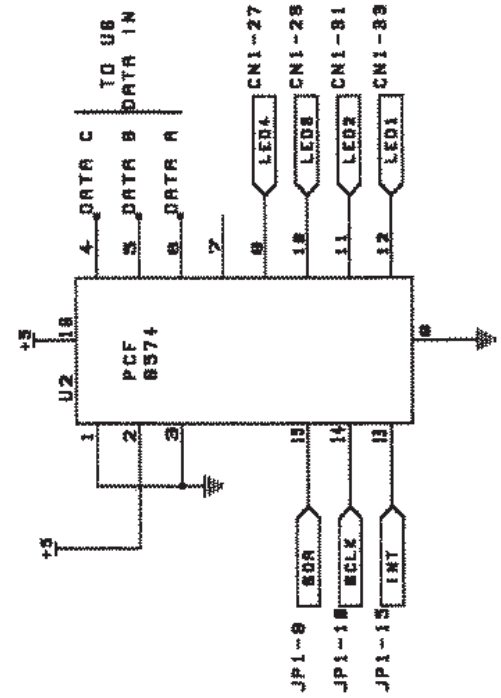
RS-232 PORT



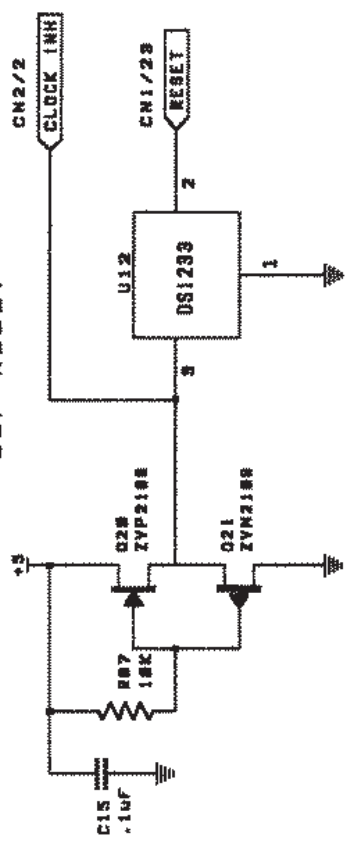
AUDIO MUTE CONTROL



I²C EXPANDER



DSP RESET

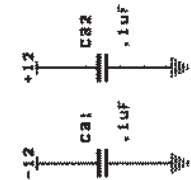
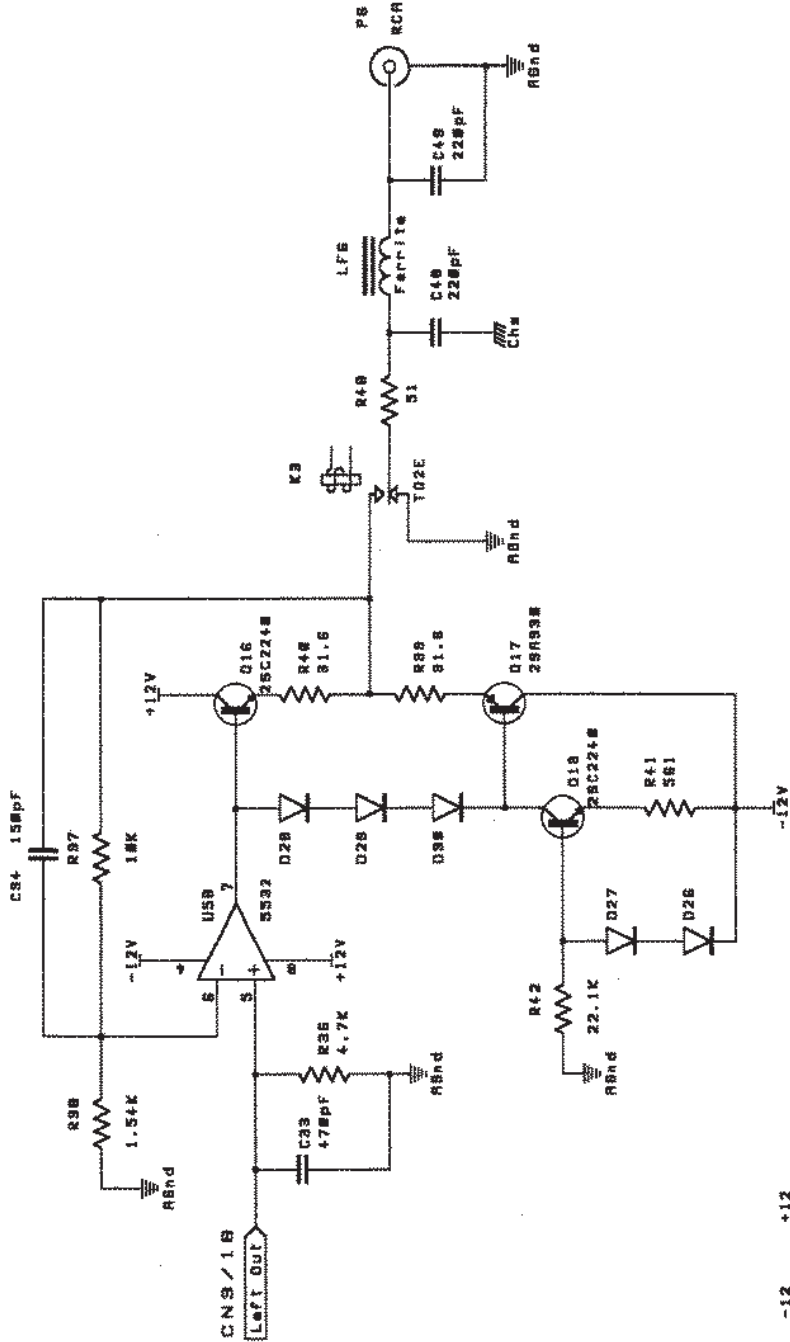


Mondial Designs
 28 Livingstone Ave
 Dobbs Ferry
 New York

Sheet Title: Act3 Surround Processor
 Sheet No: R
 Rev: 1b
 Date: 12/28/97

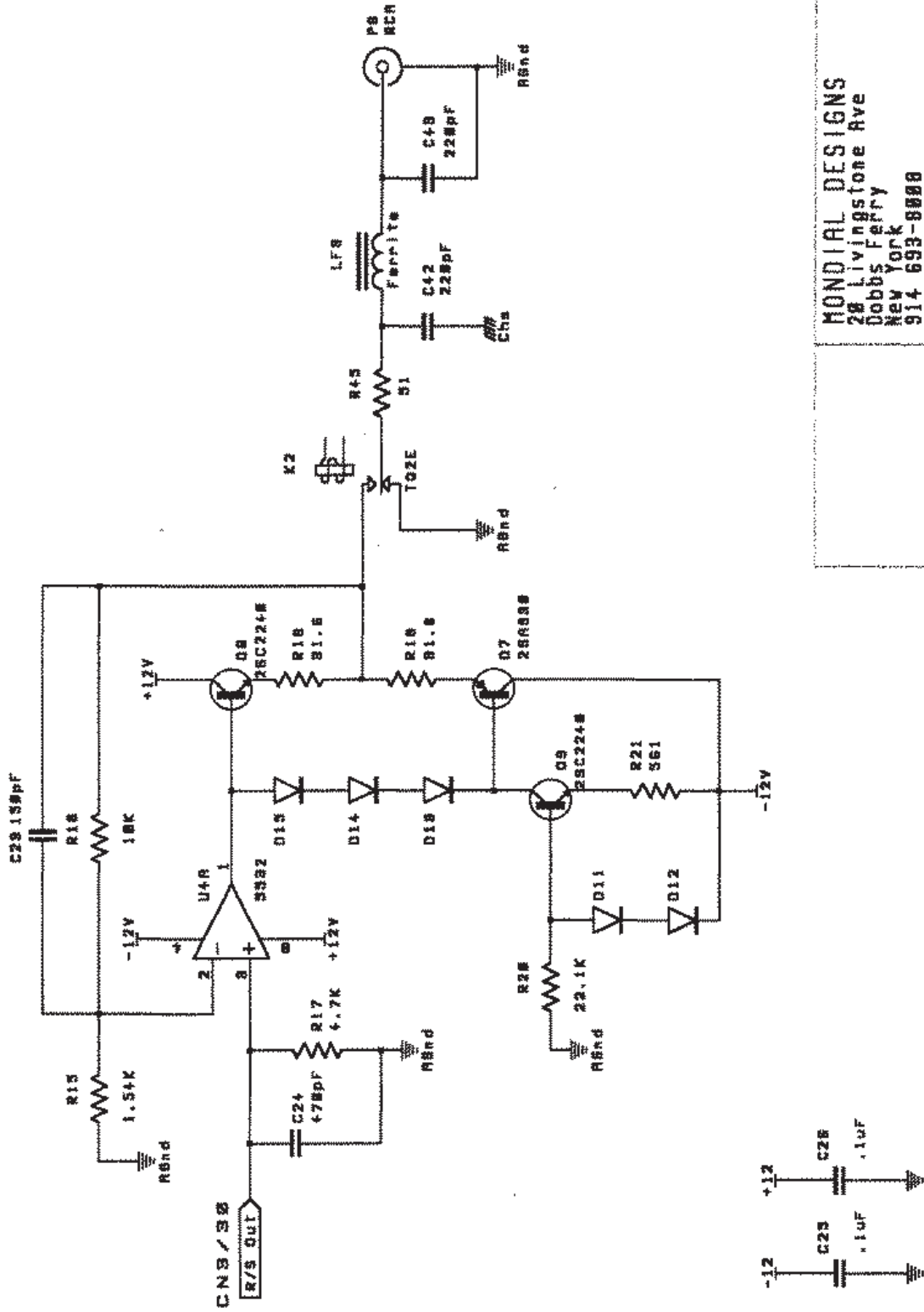
Control Circuits 1b
 SHEET 1 OF 1

AUDIO OUTPUT STAGE
FRONT LEFT CHANNEL



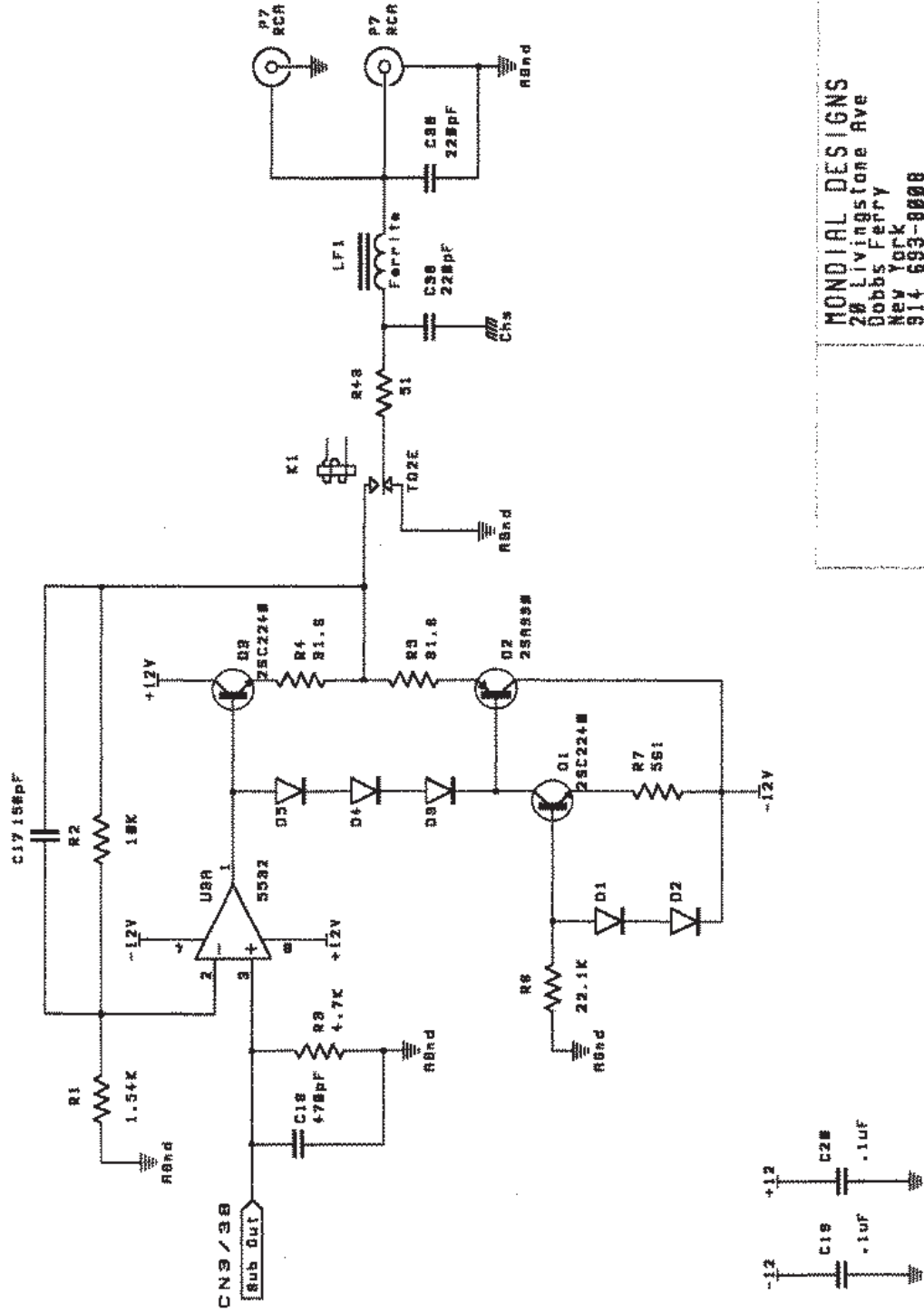
MONDIAL DESIGNS 28 Livingston Ave Dobbs Ferry New York 914 693-8888		Sheet Title: ACT3 Surround Processor	
		Sheet No: 6	Rev: 18
Date: 12/18/87	Design: act3a 36.sch	Date: 12/29/87	Sheet No: 6 of 6

AUDIO OUTPUT STAGE
RIGHT SURROUND CHANNEL



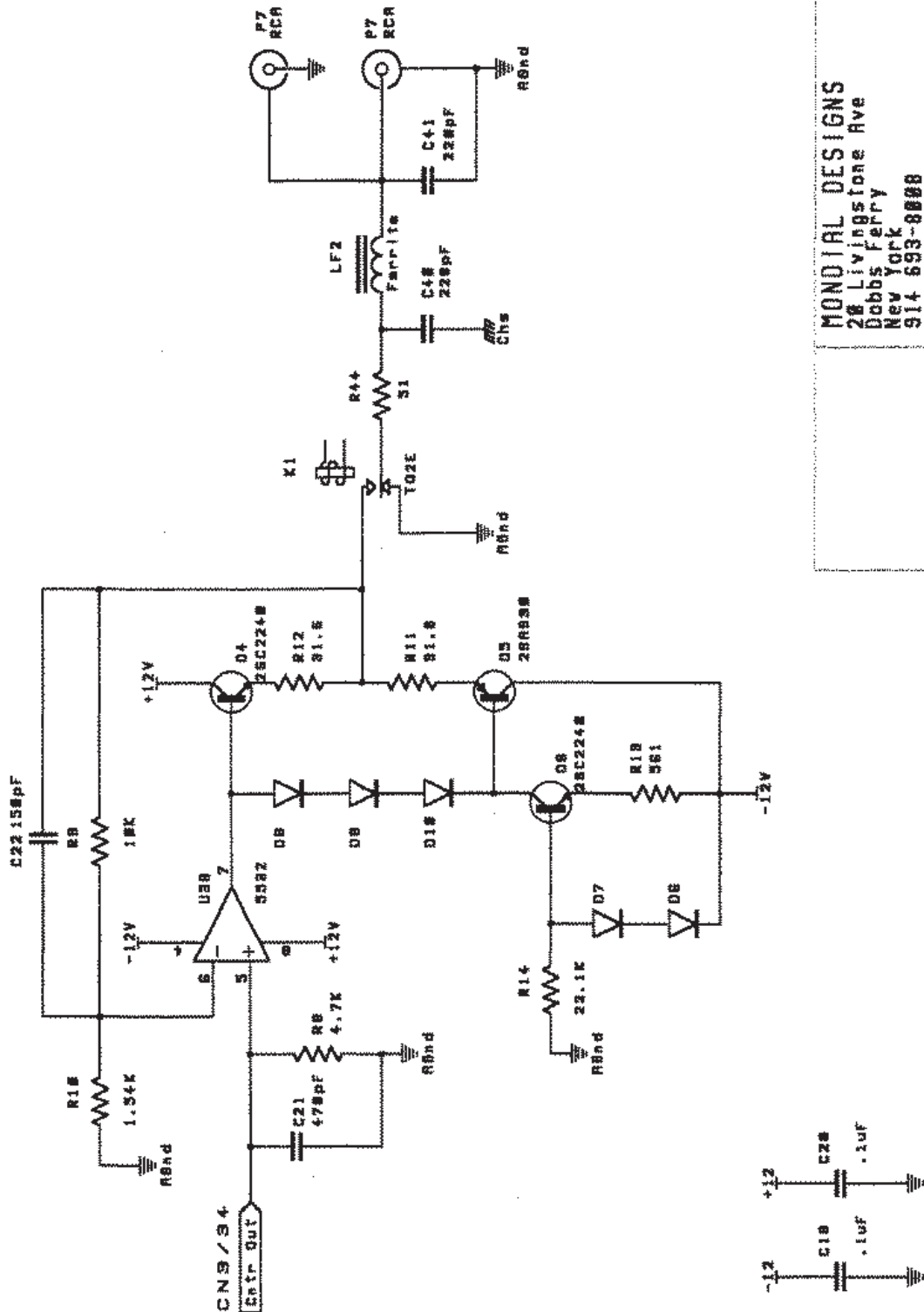
MONDIAL DESIGNS 28 Livingstone Ave Dobbs Ferry New York 914 693-8888		Sheet Title:	ACT3 Surround Processor
		Sheet No:	R Surround Output (w. 1B)
Sheet Date:	12/29/97	Sheet Title:	SHEET 3 OF 6
Sheet No:	act3sur.sch	Sheet Date:	12/29/97

AUDIO OUTPUT STAGE SUB WOOFER CHANNEL



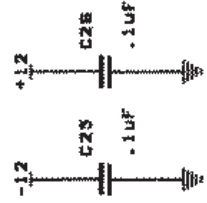
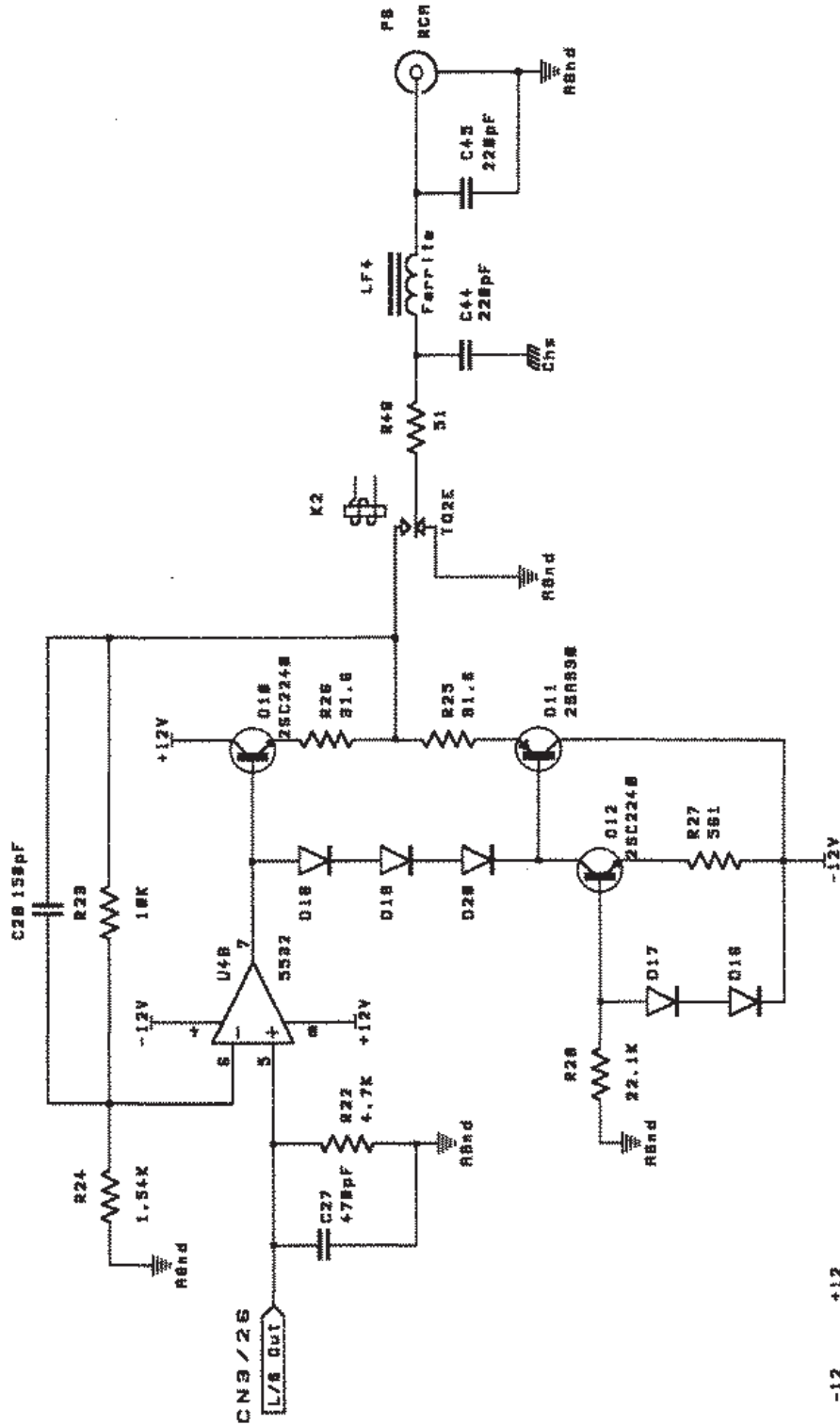
MONDIAL DESIGNS 20 Livingstone Ave Dobbs Ferry New York 914 693-8008		Sheet Title	ACT3 Surround Processor
		Sheet No.	Sub Woofer Output Rev. 1B
Sheet Title	12/29/97	Sheet No.	SHEET 1 OF 6

AUDIO OUTPUT STAGE CENTER CHANNEL

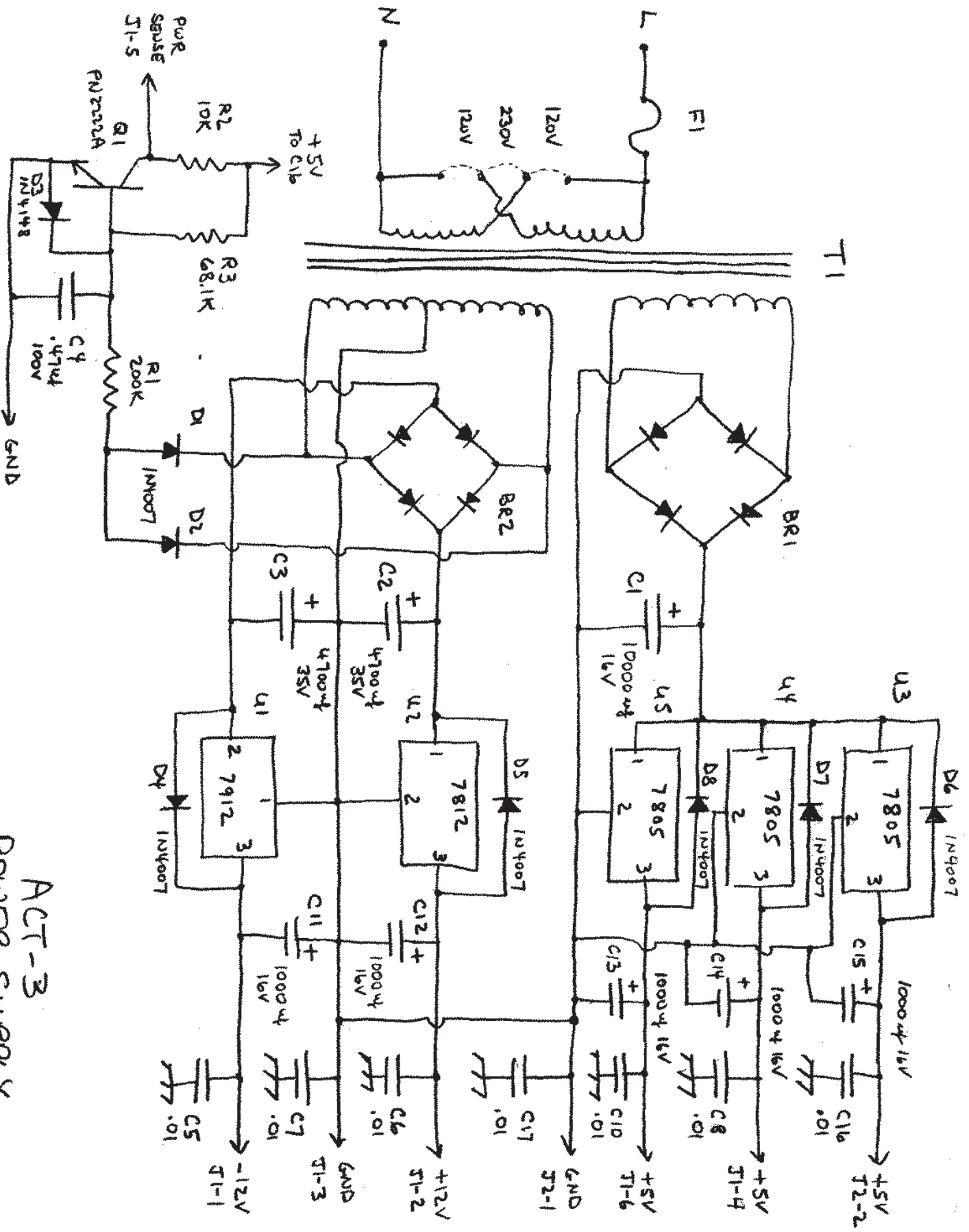


MONDIAL DESIGNS 28 Livingston Ave Dobbs Ferry New York 914 693-8888		ACT3 Surround Processor	
		Rev. 10	Rev. 10
Sheet 11 of 11	5705 R	12/28/97	SHEET 2 OF 6
Sheet 11 of 11	ACT3 v2.sch	12/18/97	Center Output

AUDIO OUTPUT STAGE
LEFT SURROUND CHANNEL



MONDIAL DESIGNS 28 Livingston Ave Dobbs Ferry New York 914 693-8888		Sheet Title: AC13 Surround Processor	
		Date: 12/29/97	Ver: 1B
Part No: ac13a-1.sch	Size: A	Left Surround Output	
Date: 12/18/97	Author: [blank]	Date: 12/29/97	Sheet: 6 OF 6



ACT-3
 POWER SUPPLY
 WR 3/11/99