

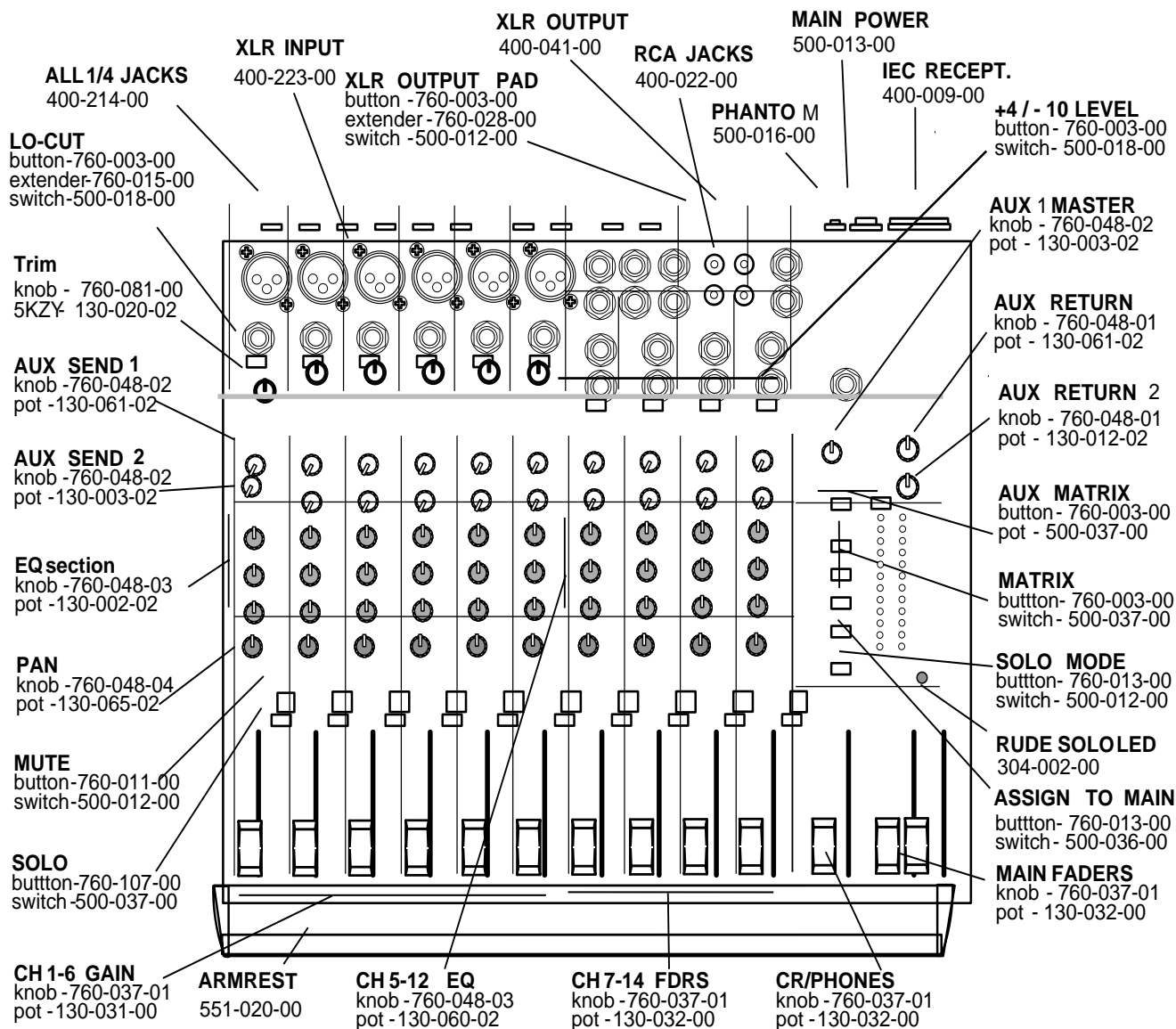
MICROSERIES 1402-VLZ™ MIC/LINE MIXER



SERVICE MANUAL

Contents	Pg.
Quick Parts	1
Block Diagram	2
Schematics	3-7
PCB Layout	8-11

QUICK PARTS



Other Stuff.....

END CAPS
left - 760-034-20
right - 760-034-10

SMALL LEDs
green - 304-004-00
yellow - 304-003-00
red - 304-001-00

BUMPON
750-001-00

STAR GROUND SCREW
700-031-01

BOTTOM SIDE SCREW
701-005-00

RCA SCREW
701-001-00

MAIN PCB
055-215-00-01

TOP SRF SCREWS
700-011-00

BOTTOM SCREWS
701-005-00

TRANSFORMER
110V - 080-007-00
230V - 080-007-01
100V - 080-007-02

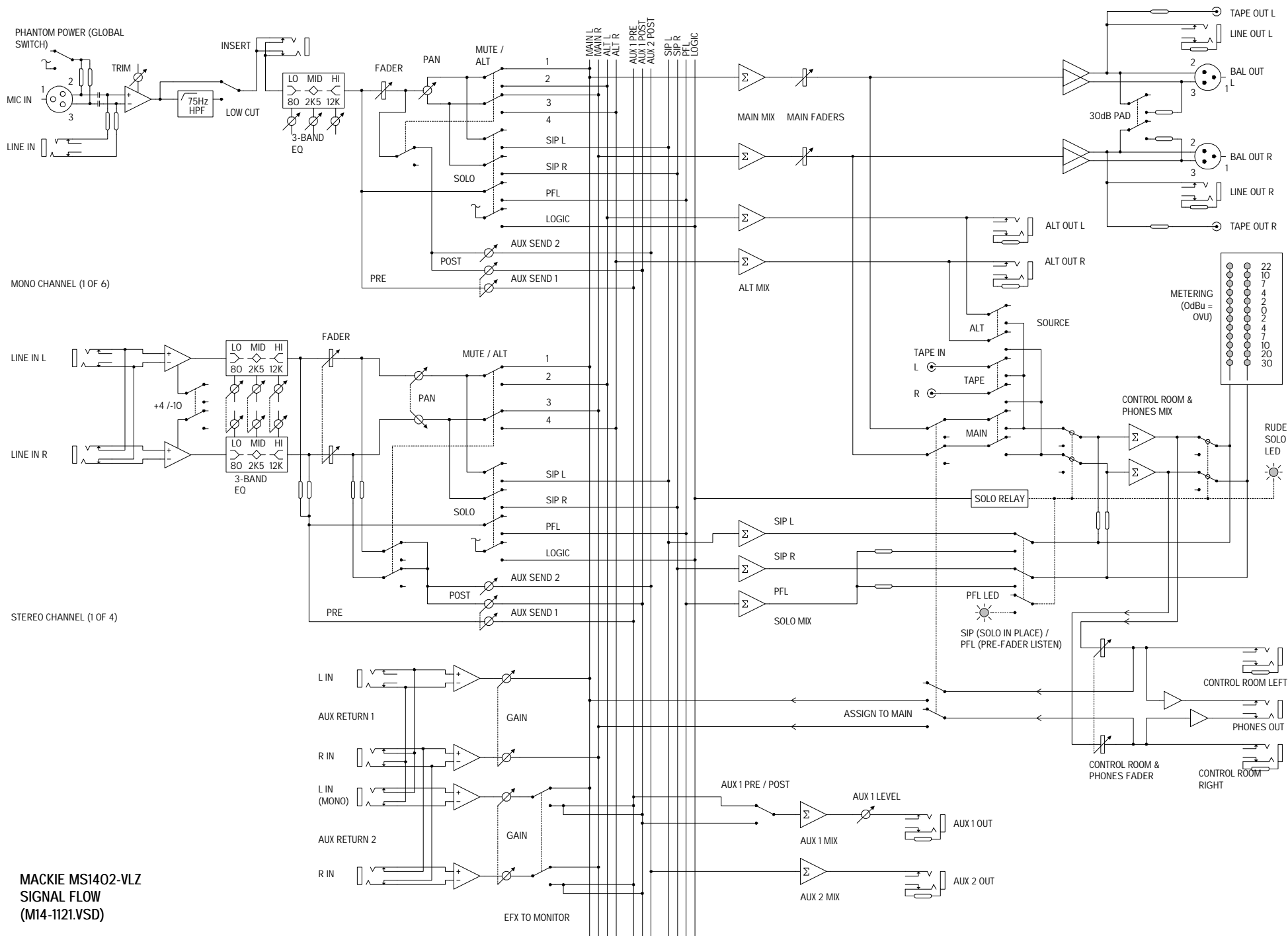
CHASSIS TOP
550-107-10

SIDE SCREWS
700-006-00

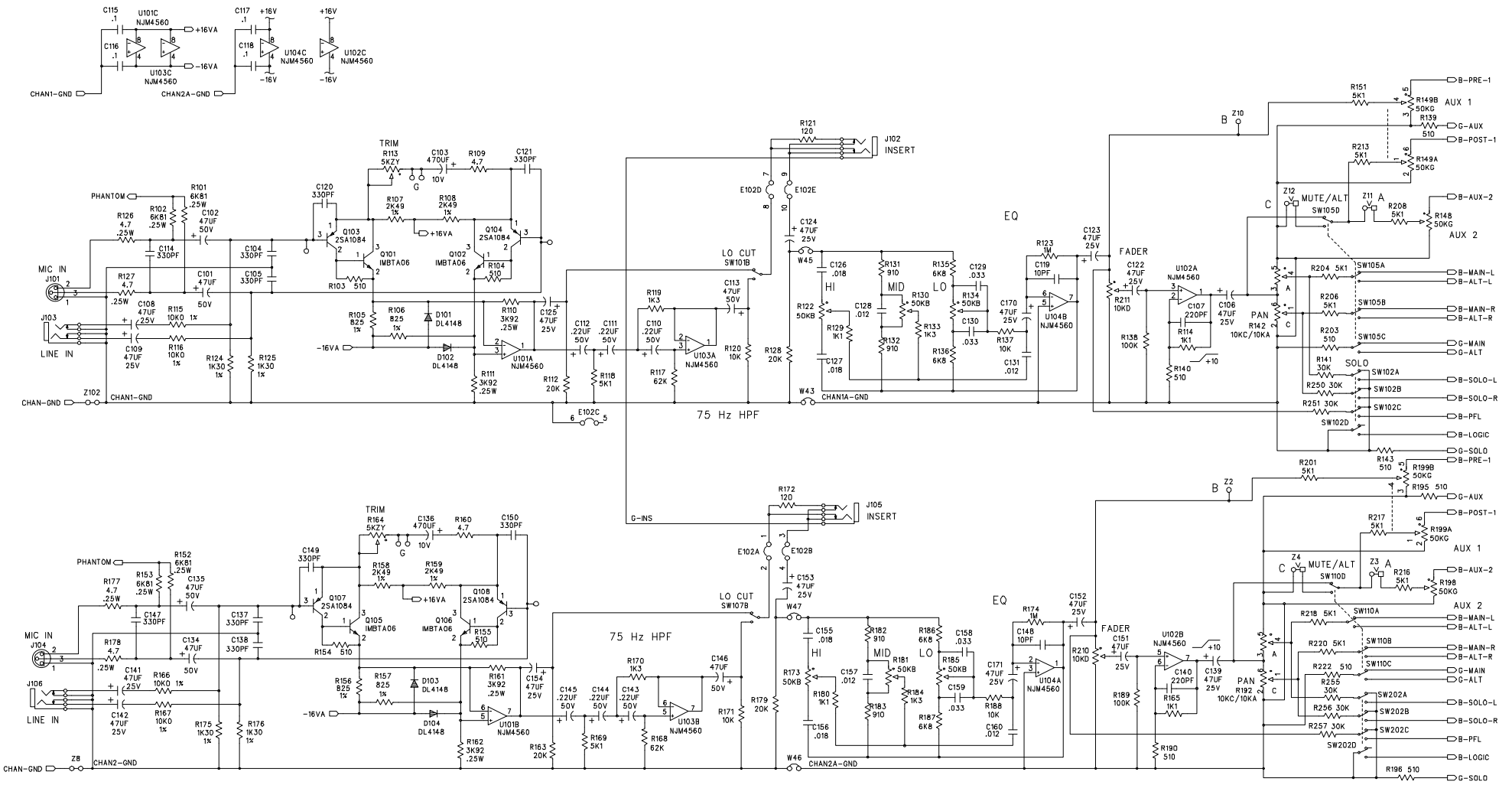
ALL XLR SCREWS
701-005-00

END CAP SCREWS
700-010-06

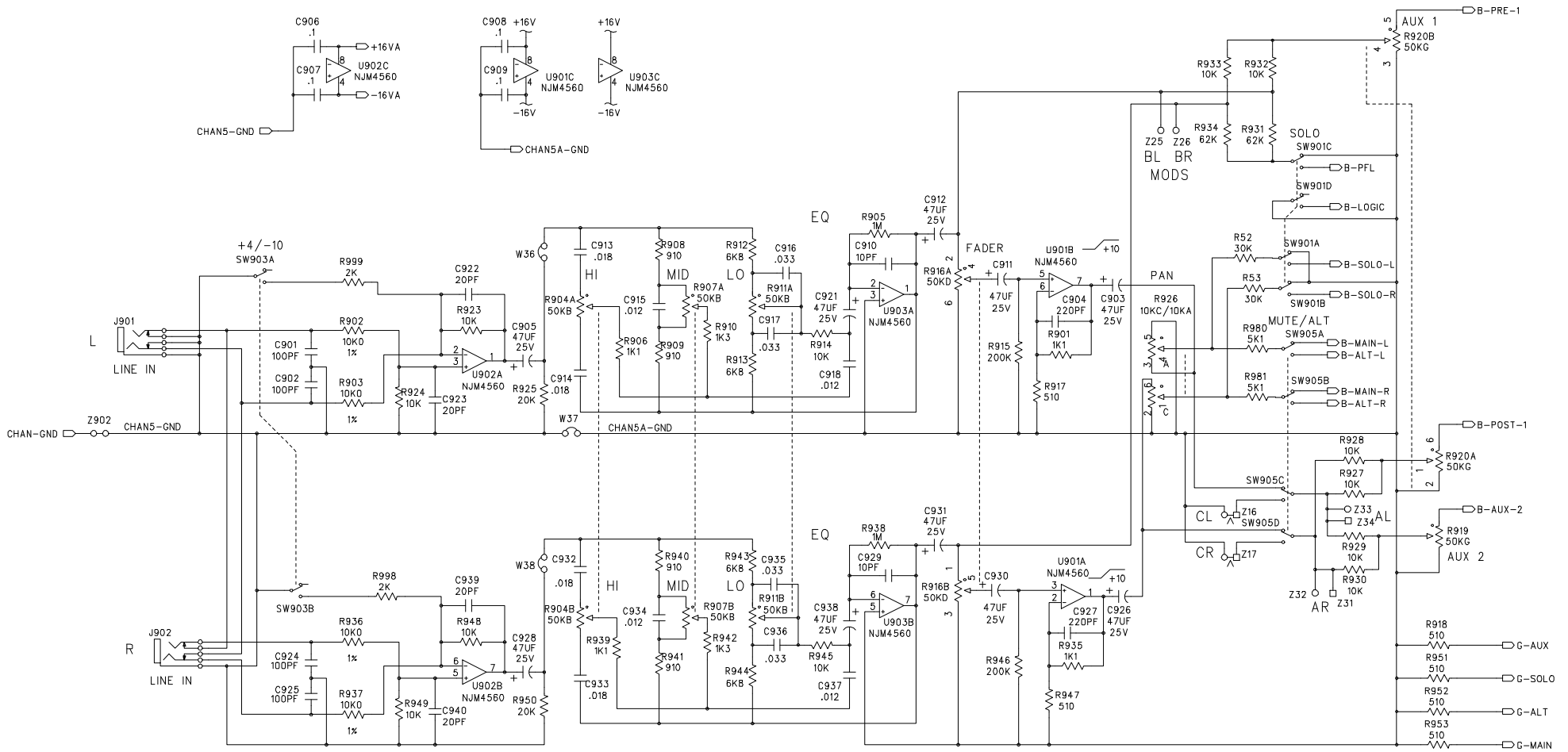
OWNER'S MANUAL
820-033-01



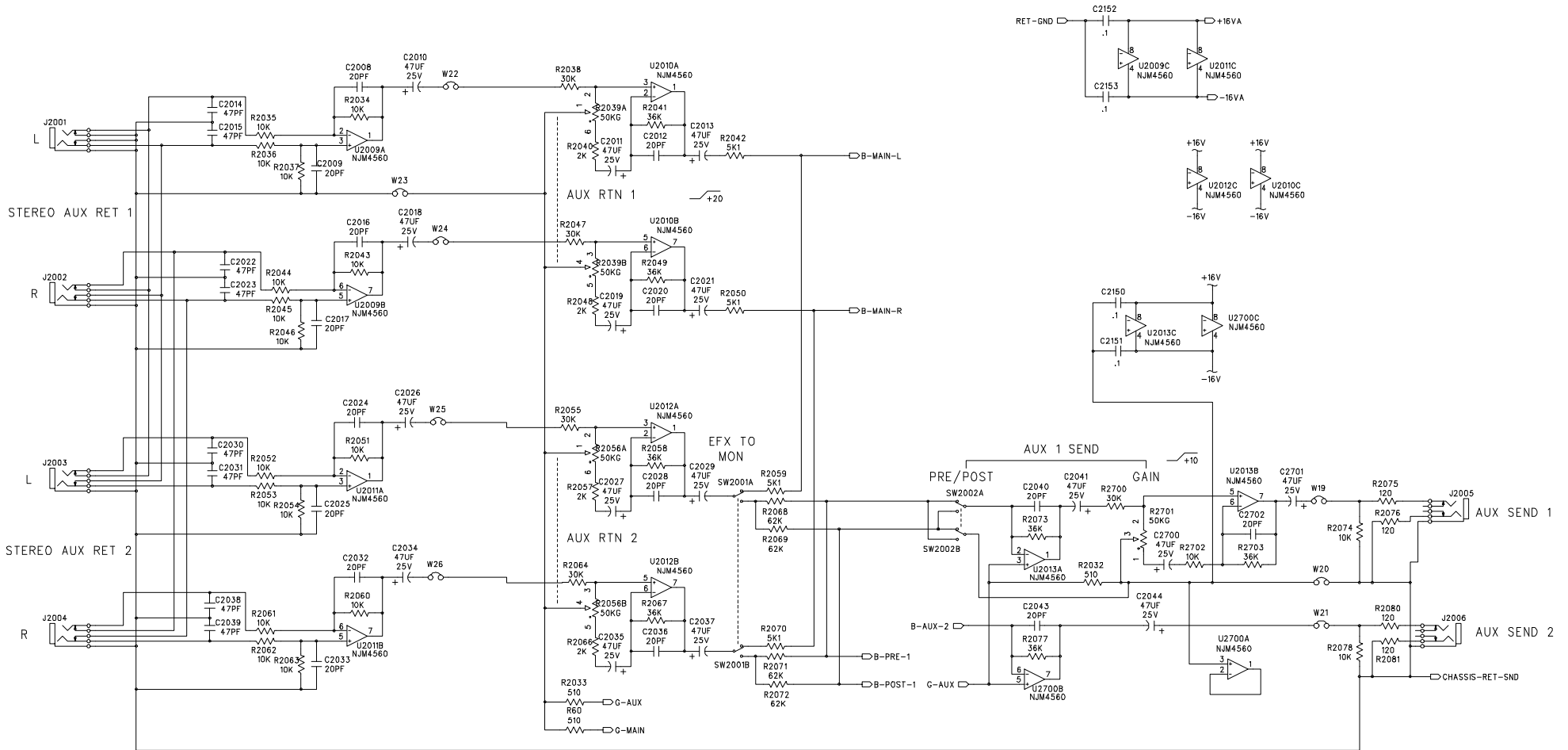
MACKIE MS1402-VLZ
 SIGNAL FLOW
 (M14-1121.VSD)

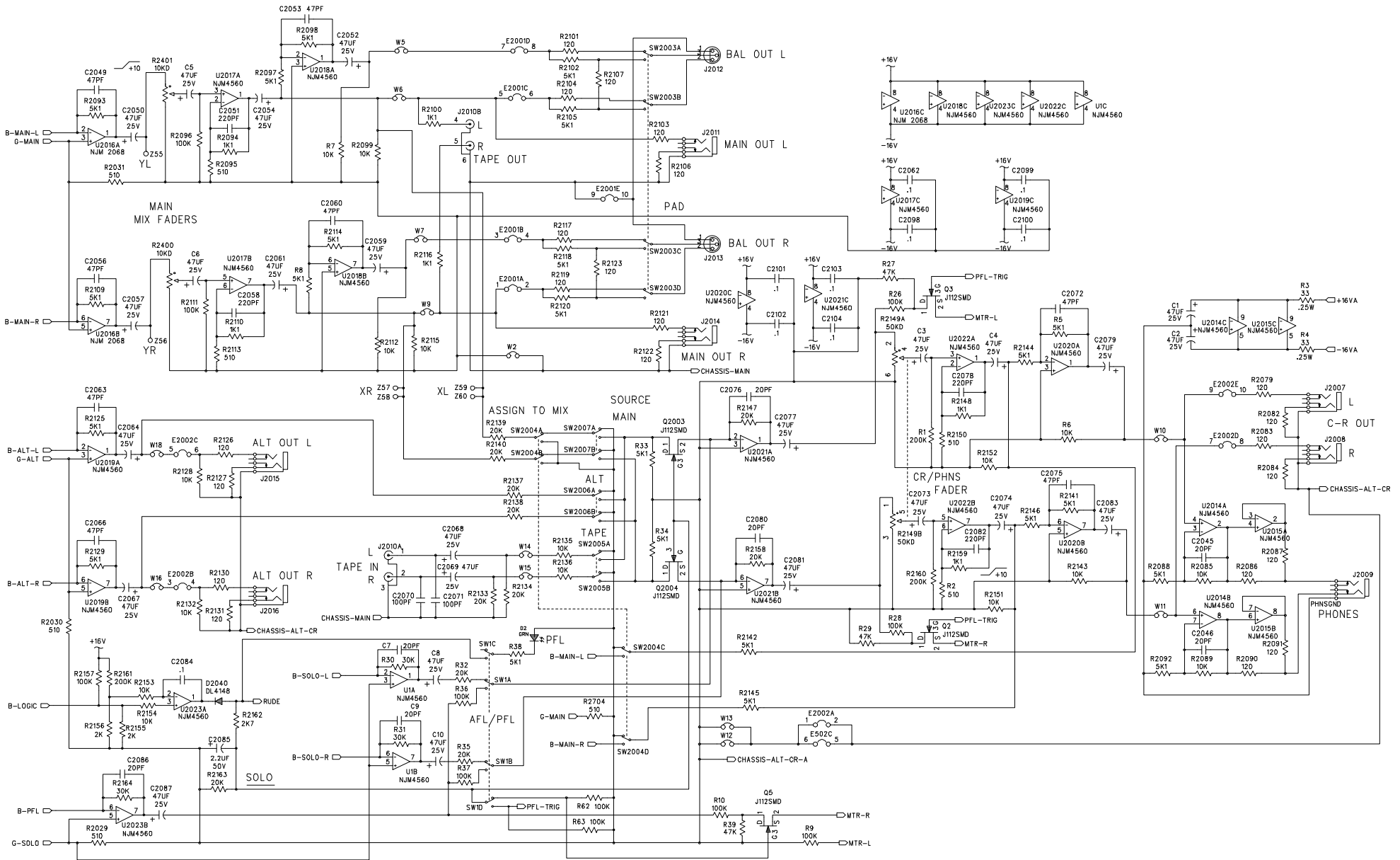


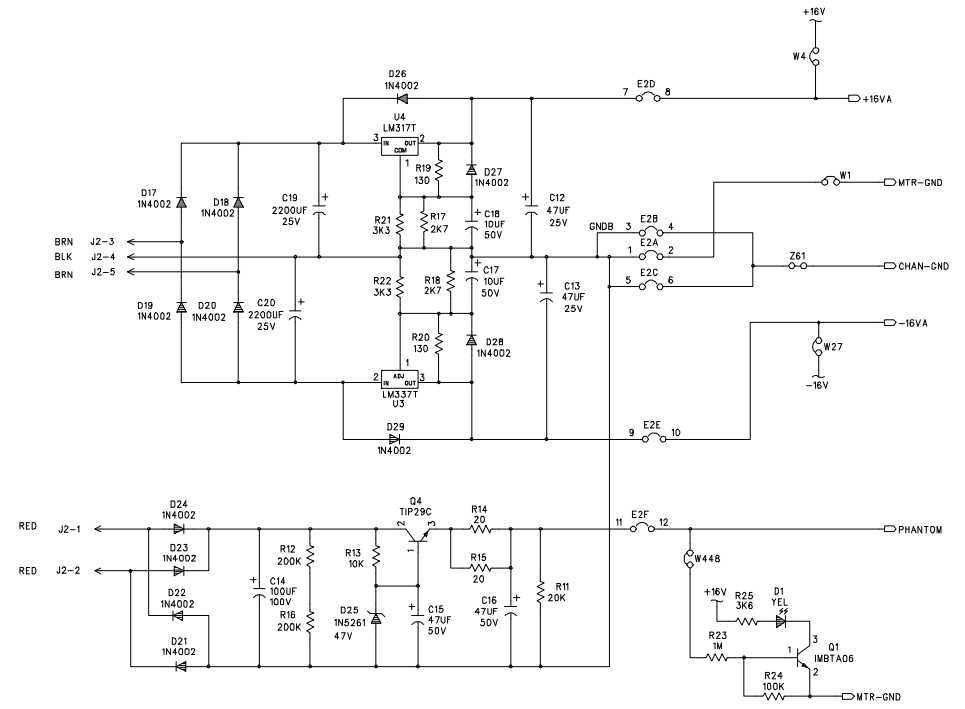
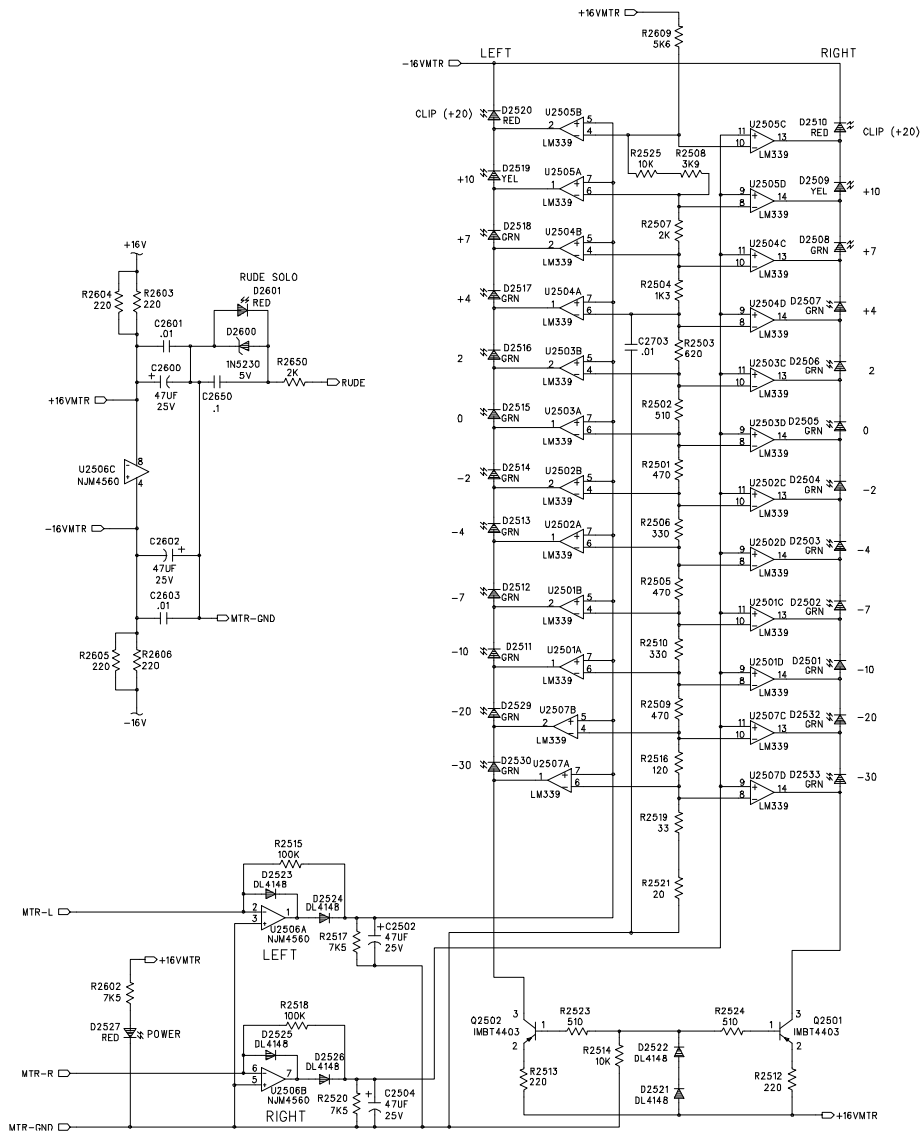
MACKIE.
MS1402VLZ MONO CHANNELS



MACKIE.
MS1402 VLZ STEREO CHANNELS







MACKIE.
MS1402 VLZ BARGRAPH METER
POWER SUPPLY

