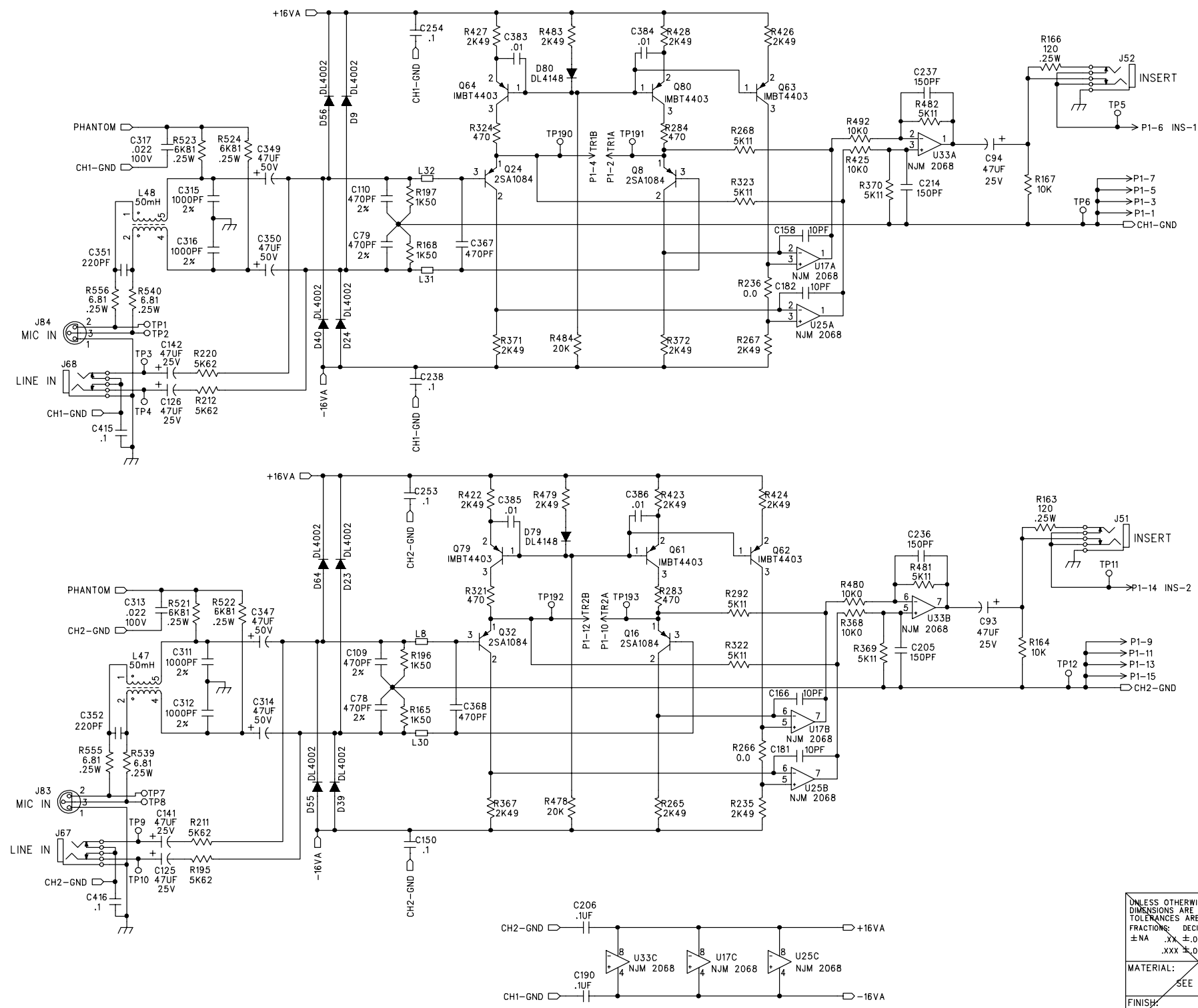
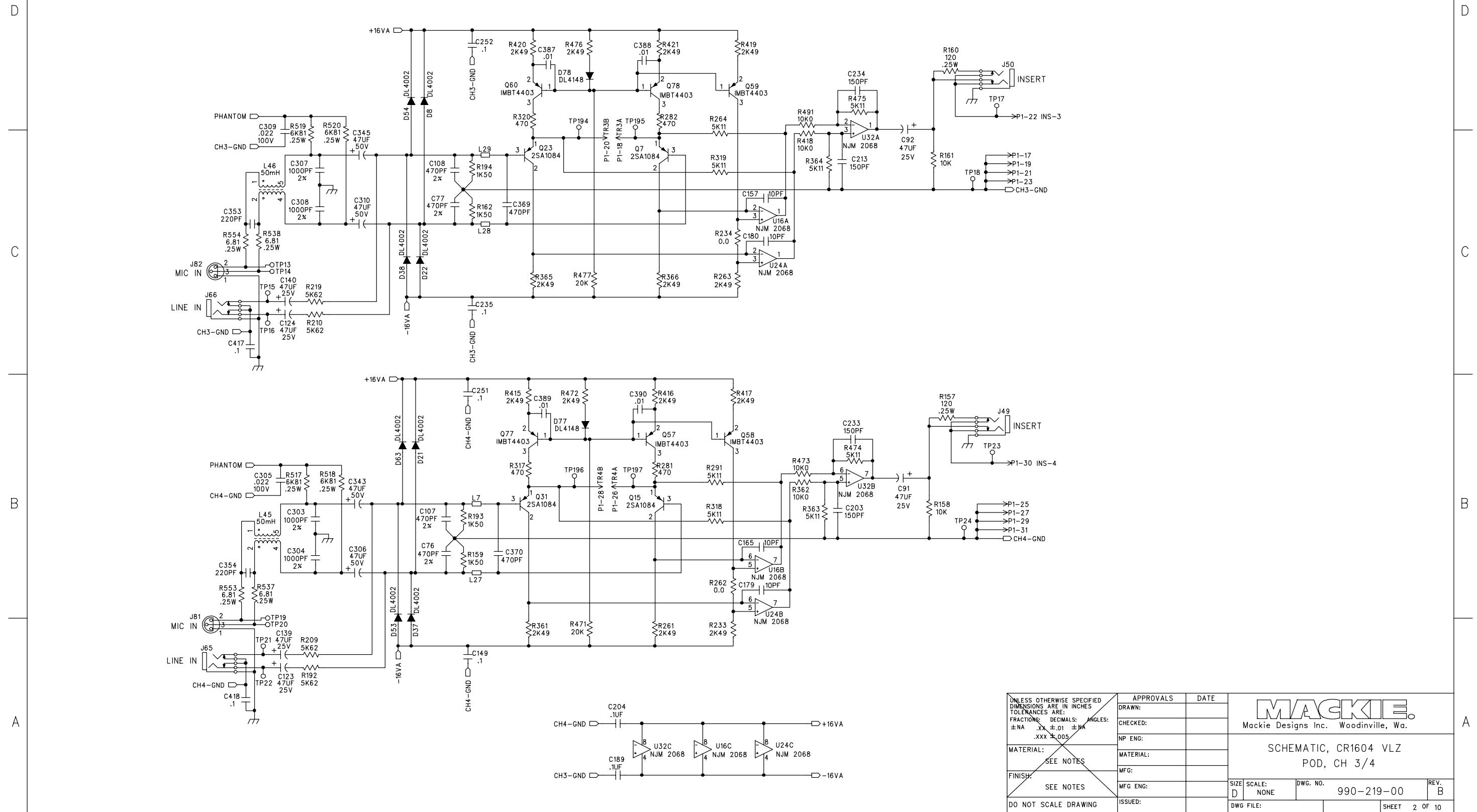


DWG. NO.	990-219-00	SHT	REV	1	B	1
REV:	ECO#	DESCRIPTION	REV. BY:	APP. BY:	DATE	
B	2165	ADD LABEL TO B.O.M.	KR		2-3-99	
	2180	MOVE CHOKES				



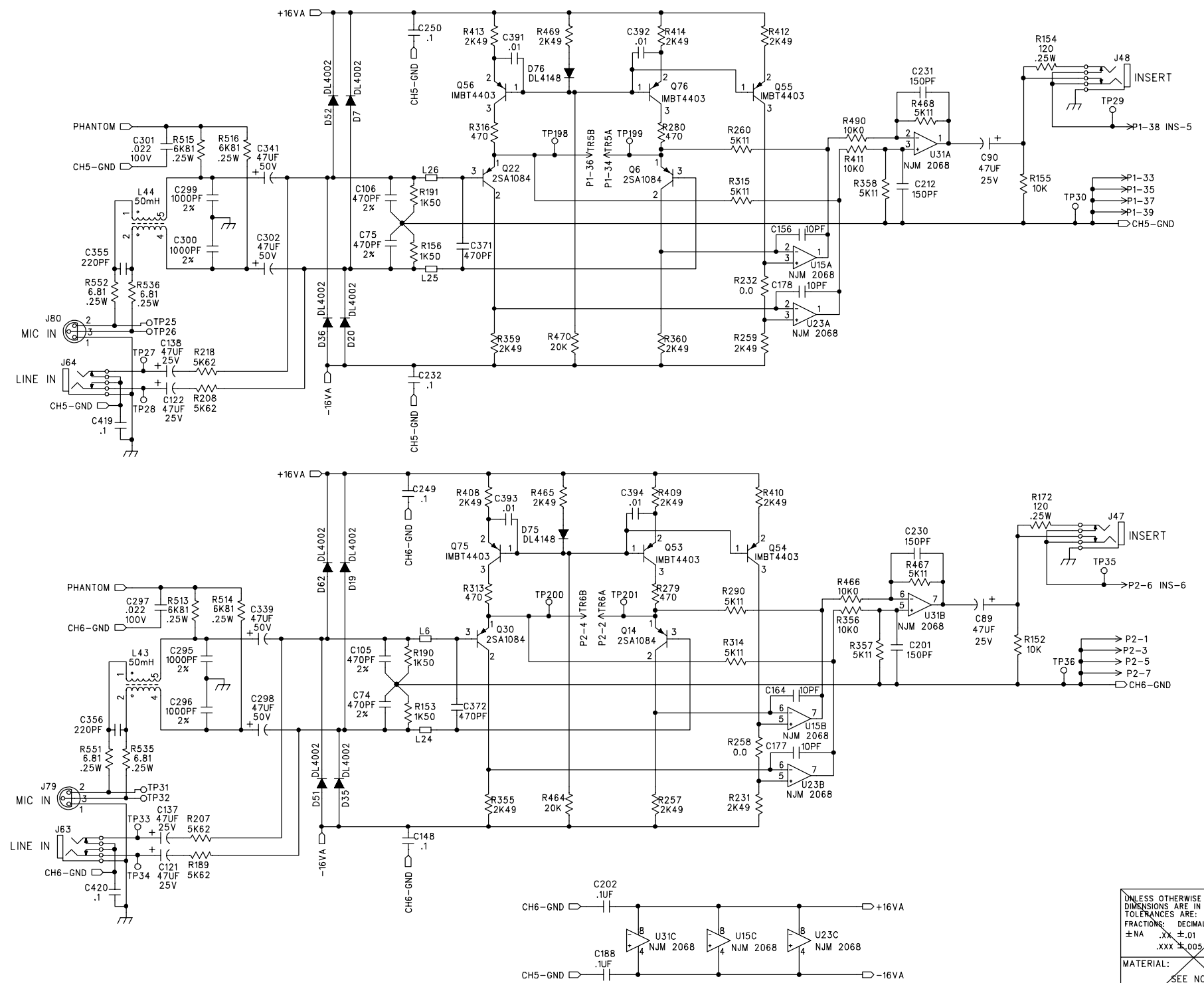
UNLESS OTHERWISE SPECIFIED DIMENSIONS ARE IN INCHES TOLERANCES ARE: FRACTIONS: DECIMALS: ANGLES: ±.NA .XX ±.01 ±.NA .XXX ±.005	APPROVALS	DATE	<p>Mackie Designs Inc. Woodinville, Wa.</p> <p>SCHEMATIC, CR1604 VLZ POD, CH 1/2</p>
	DRAWN: KR	4-21-98	
	CHECKED:		
	NP ENG: CW	12-2-98	
MATERIAL:	MATERIAL:		SIZE: D SCALE: NONE DWG. NO. 990-219-00 REV. B
FINISH:	MFG:		
DO NOT SCALE DRAWING	ISSUED: LEIGH	12-3-98	DWG FILE: SHEET 1 OF 10



UNLESS OTHERWISE SPECIFIED DIMENSIONS ARE IN INCHES FRACTIONS: DECIMALS: ANGLES: ±NA .XX ±.01 ±NA .XXX ±.005	APPROVALS	DATE	<p>Mackie Designs Inc. Woodinville, Wa.</p> <p>SCHEMATIC, CR1604 VLZ POD, CH 3/4</p>
	DRAWN:		
	CHECKED:		
	NP ENG:		
MATERIAL:	MATERIAL:		SIZE: D SCALE: NONE DWG. NO. 990-219-00 REV. B DWG FILE: SHEET 2 OF 10
SEE NOTES	MFG:		
FINISH:	MFG ENG:		
DO NOT SCALE DRAWING	ISSUED:		

219-2 POD BOARD 219 REV B

DWG. NO.	990-219-00	SHT	REV	1
REV.	ECO#	DESCRIPTION	REV. BY:	APP. BY:
				DATE

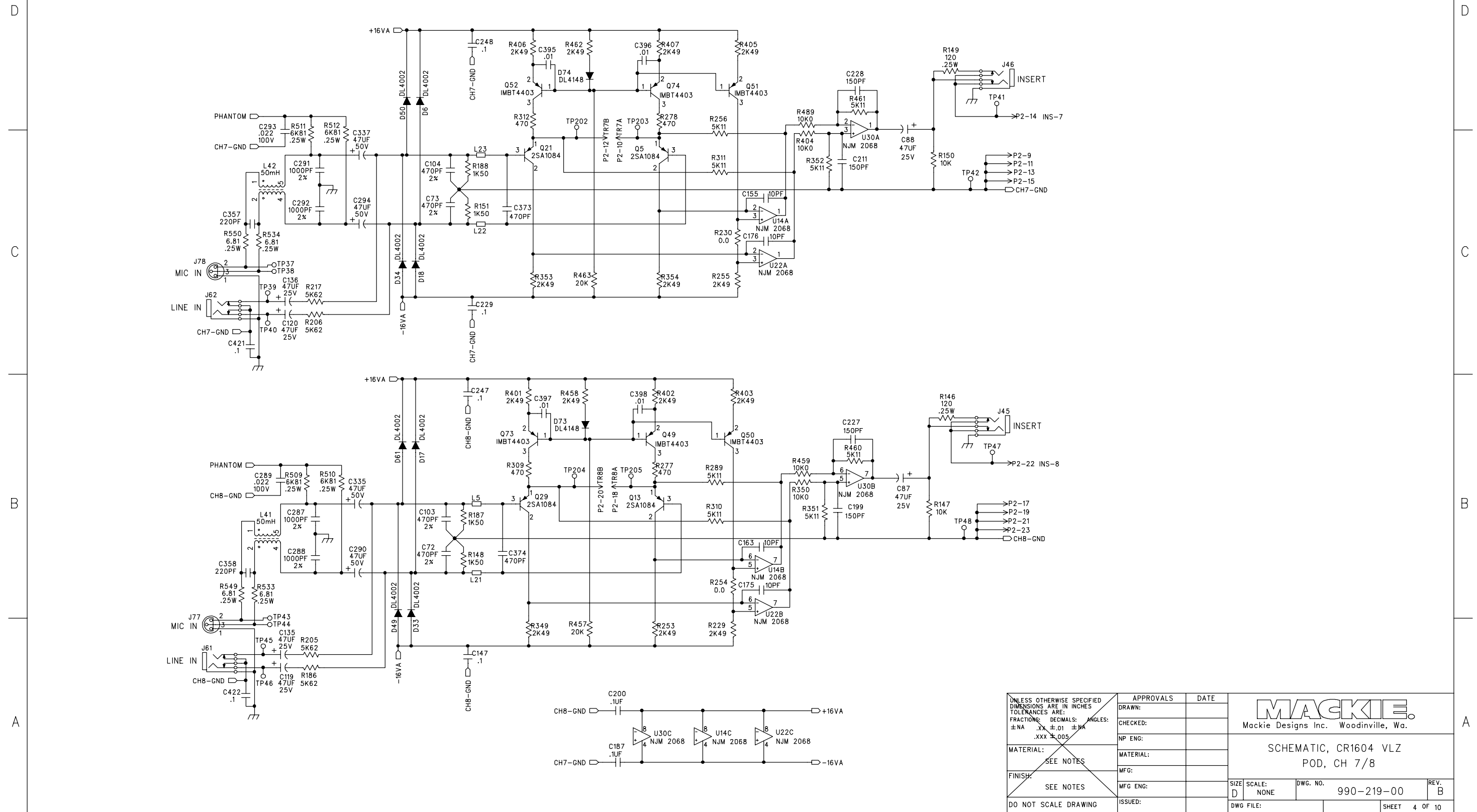


UNLESS OTHERWISE SPECIFIED DIMENSIONS ARE IN INCHES TOLERANCES ARE: FRACTIONS: .XX ±.01 ±.05 DECIMALS: .XXX ±.005 ANGLES: MATERIAL: FINISH: DO NOT SCALE DRAWING	APPROVALS	DATE
	CHECKED:	
	NP ENG:	
	MATERIAL:	
SEE NOTES	MFG:	
SEE NOTES	MFG ENG:	
	ISSUED:	

MACKIE
Mackie Designs Inc. Woodinville, Wa.

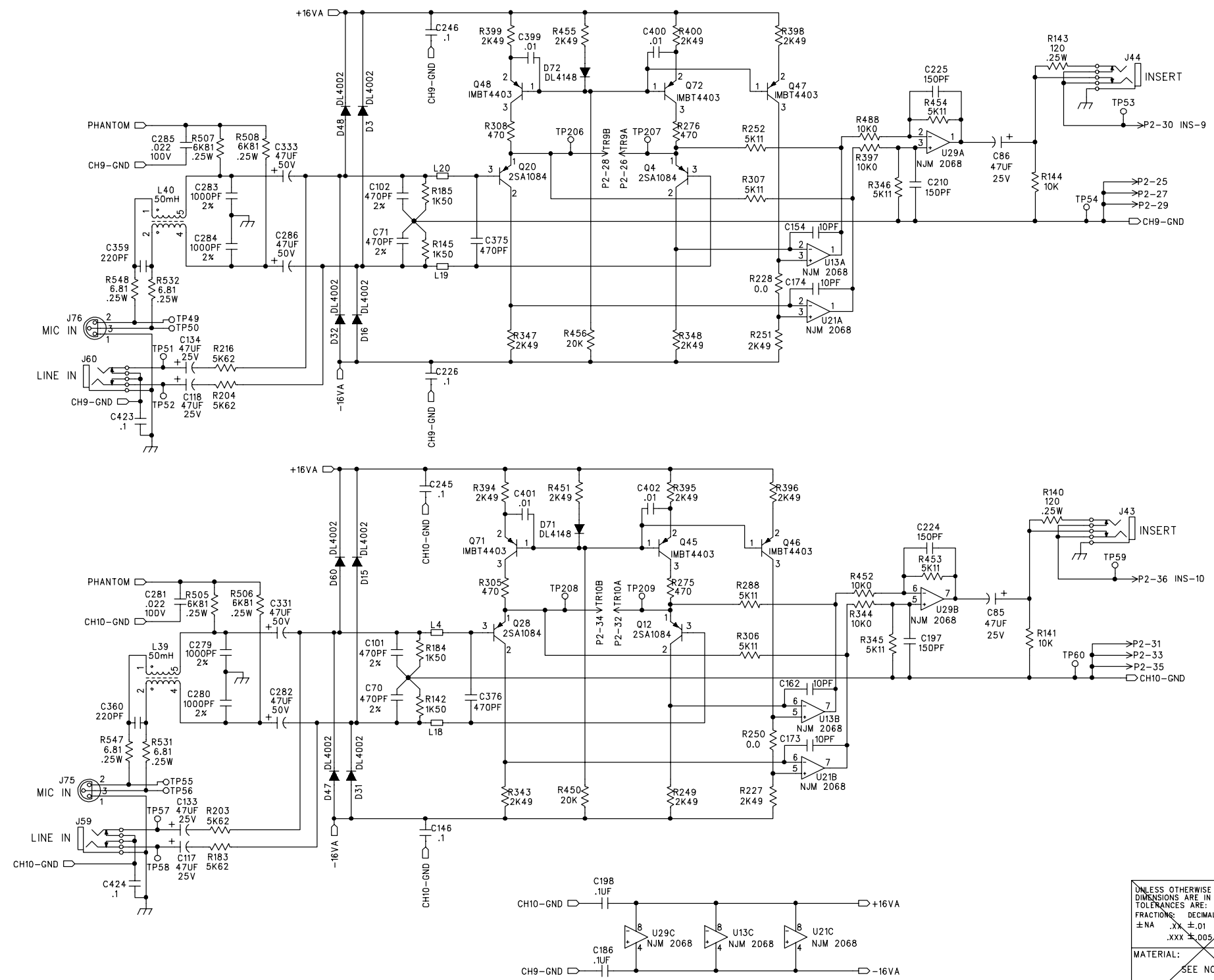
SCHEMATIC, CR1604 VLZ
POD, CH 5/6

SIZE	SCALE:	DWG. NO.	REV.
D	NONE	990-219-00	B
DWG FILE:		SHEET 3 OF 10	

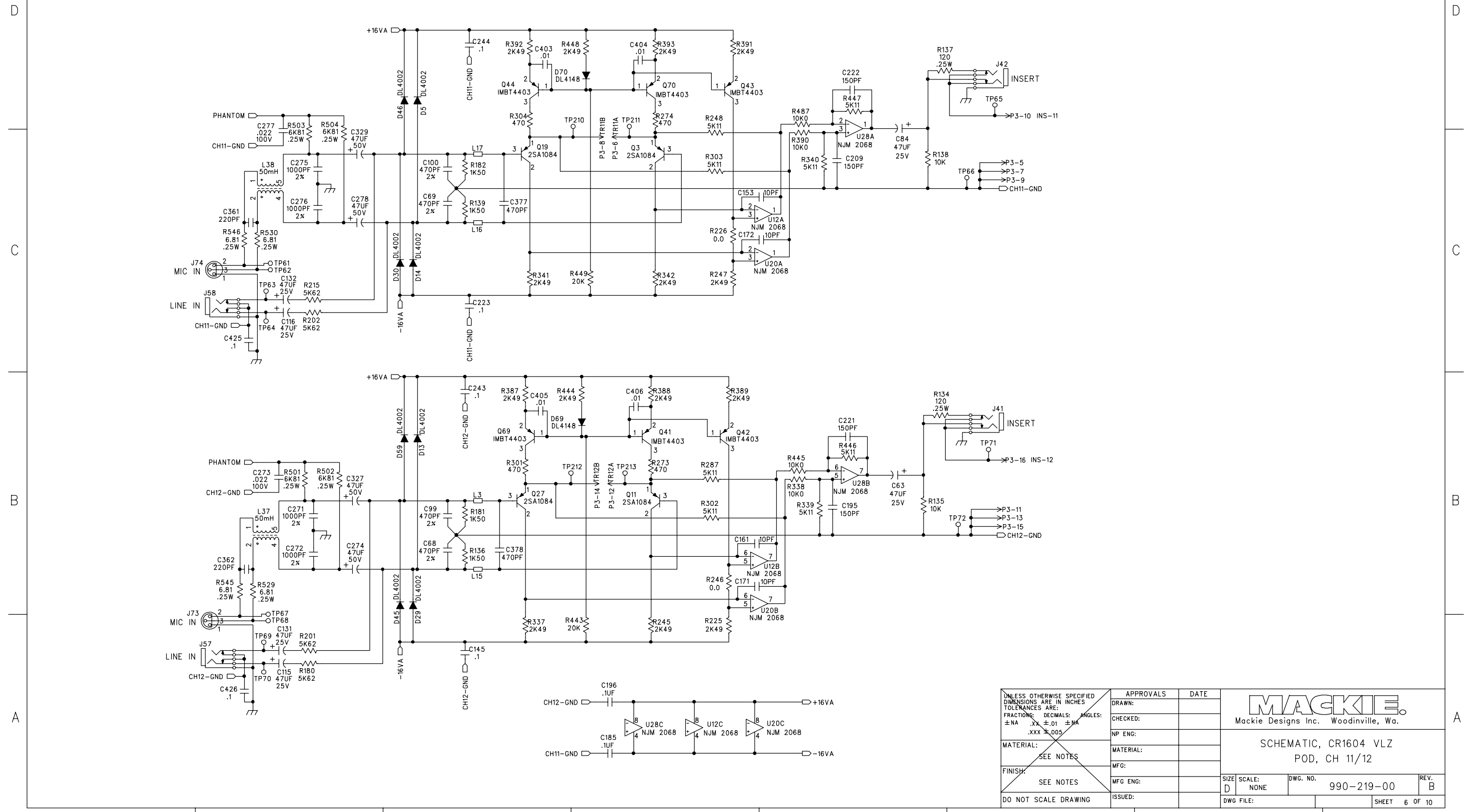


UNLESS OTHERWISE SPECIFIED DIMENSIONS ARE IN INCHES. TOLERANCES ARE: FRACTIONS: DECIMALS: ANGLES: ±.NA .XX ±.01 ±.NA .XXX ±.005	APPROVALS	DATE		
	DRAWN:			
	CHECKED:			
	NP ENG:			
MATERIAL:	MATERIAL:		SCHEMATIC, CR1604 VLZ POD, CH 7/8	
SEE NOTES	MFG:			
SEE NOTES	MFG ENG:			
DO NOT SCALE DRAWING	ISSUED:			
	SIZE D	SCALE: NONE	DWG. NO. 990-219-00	REV. B
	DWG FILE:			SHEET 4 OF 10

219-4 POD BOARD 219 REV B

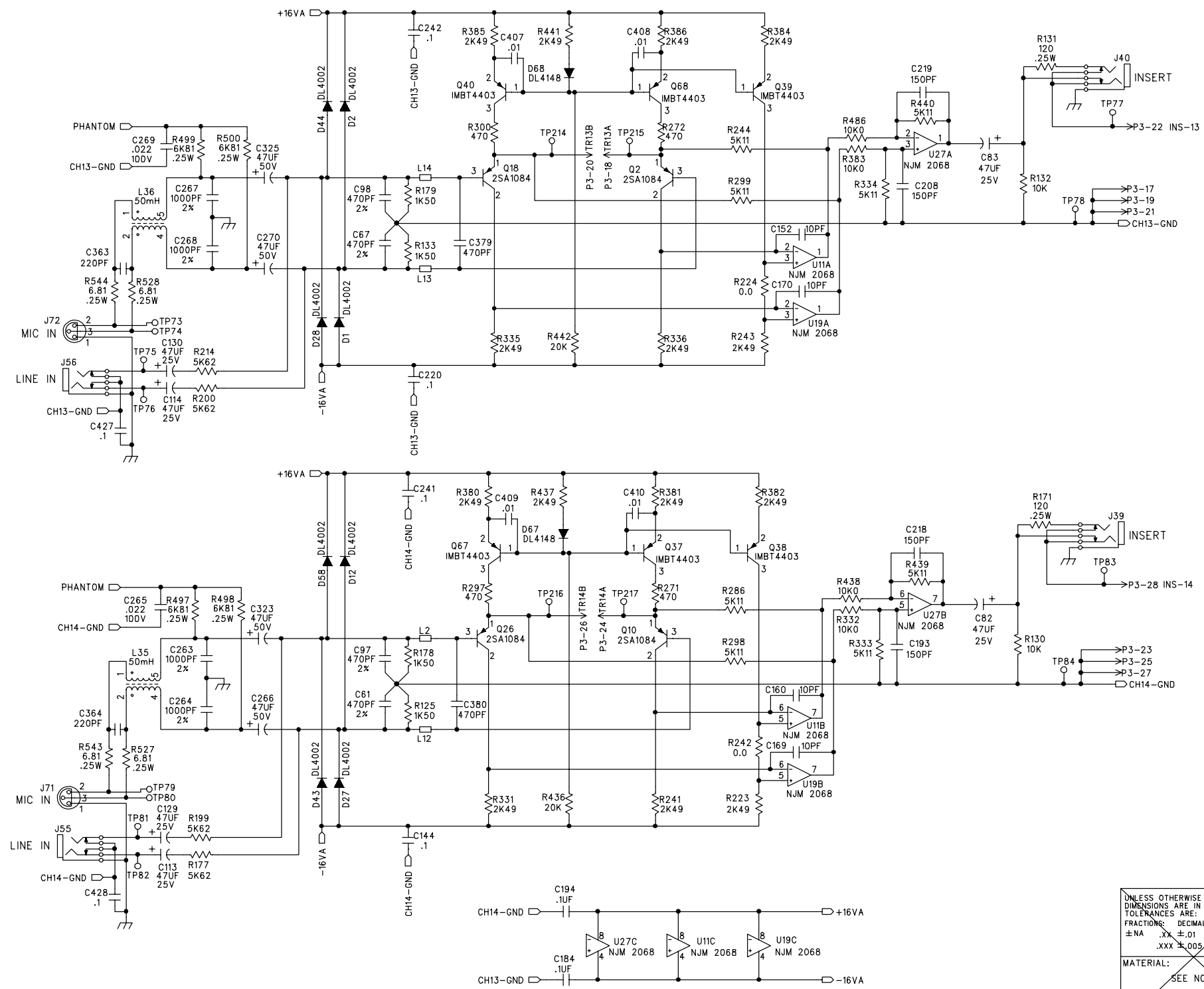


UNLESS OTHERWISE SPECIFIED DIMENSIONS ARE IN INCHES TOLERANCES ARE: FRACTIONS: DECIMALS: ANGLES: ±.NA .XX ±.01 ±.NA .XXX ±.005	APPROVALS	DATE	<p>Mackie Designs Inc. Woodinville, Wa.</p> <p>SCHEMATIC, CR1604 VLZ POD, CH 9/10</p>
	CHECKED:		
	NP ENG:		
	MATERIAL:		
FINISH:	SEE NOTES		SIZE SCALE: DWG. NO. REV.
DO NOT SCALE DRAWING	ISSUED:		D NONE 990-219-00 B
			DWG FILE: SHEET 5 OF 10



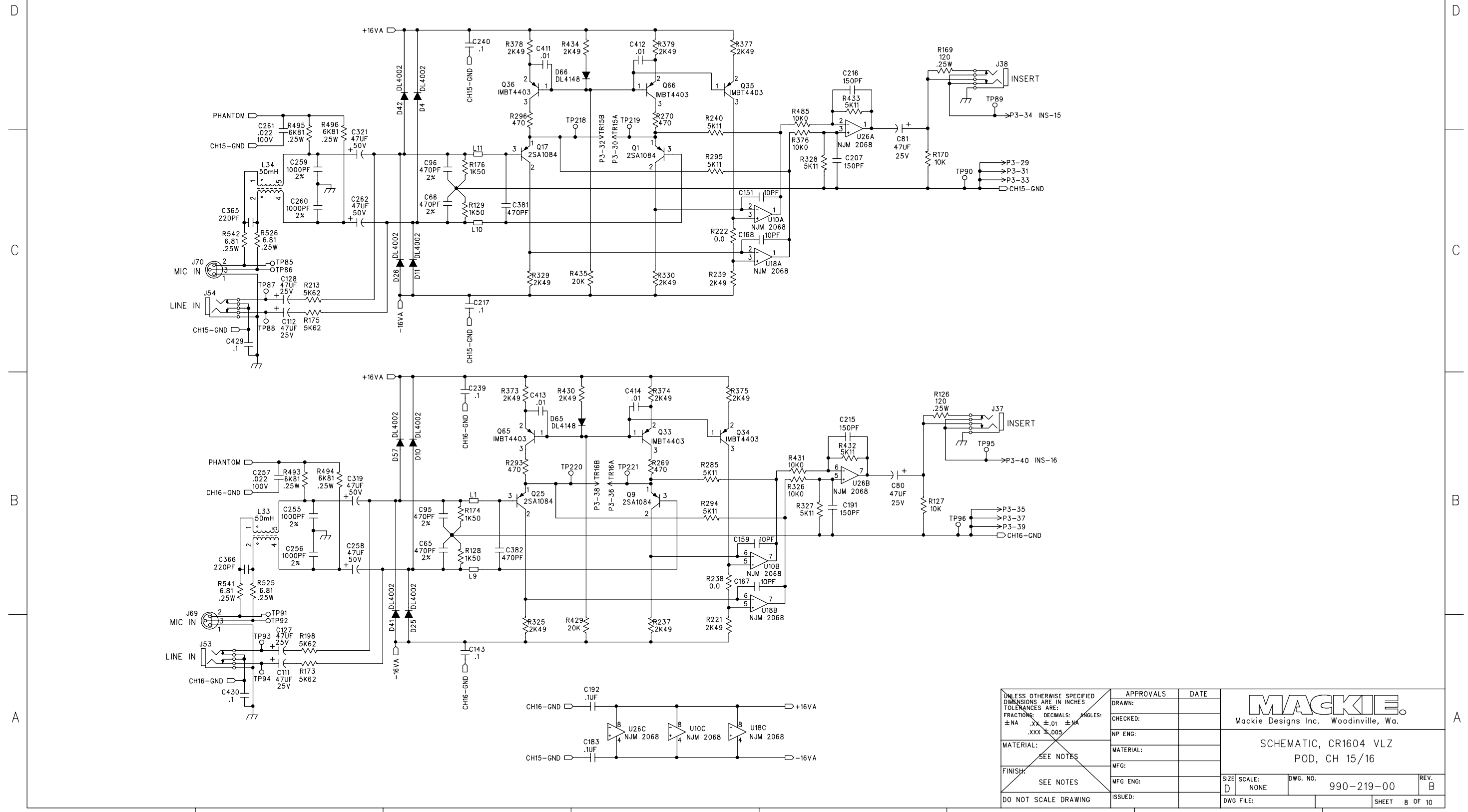
UNLESS OTHERWISE SPECIFIED DIMENSIONS ARE IN INCHES TOLERANCES ARE: FRACTIONS: DECIMALS: ANGLES: ±NA .XX ±.01 ±NA .XXX ±.005	APPROVALS	DATE		
	DRAWN:			
	CHECKED:			
	NP ENG:			
MATERIAL:	MATERIAL:		SCHEMATIC, CR1604 VLZ POD, CH 11/12	
SEE NOTES	MFG:			
SEE NOTES	MFG ENG:			
DO NOT SCALE DRAWING	ISSUED:			
	SIZE D	SCALE: NONE	DWG. NO. 990-219-00	REV. B
	DWG FILE:			SHEET 6 OF 10

219-6 POD BOARD 219 REV B

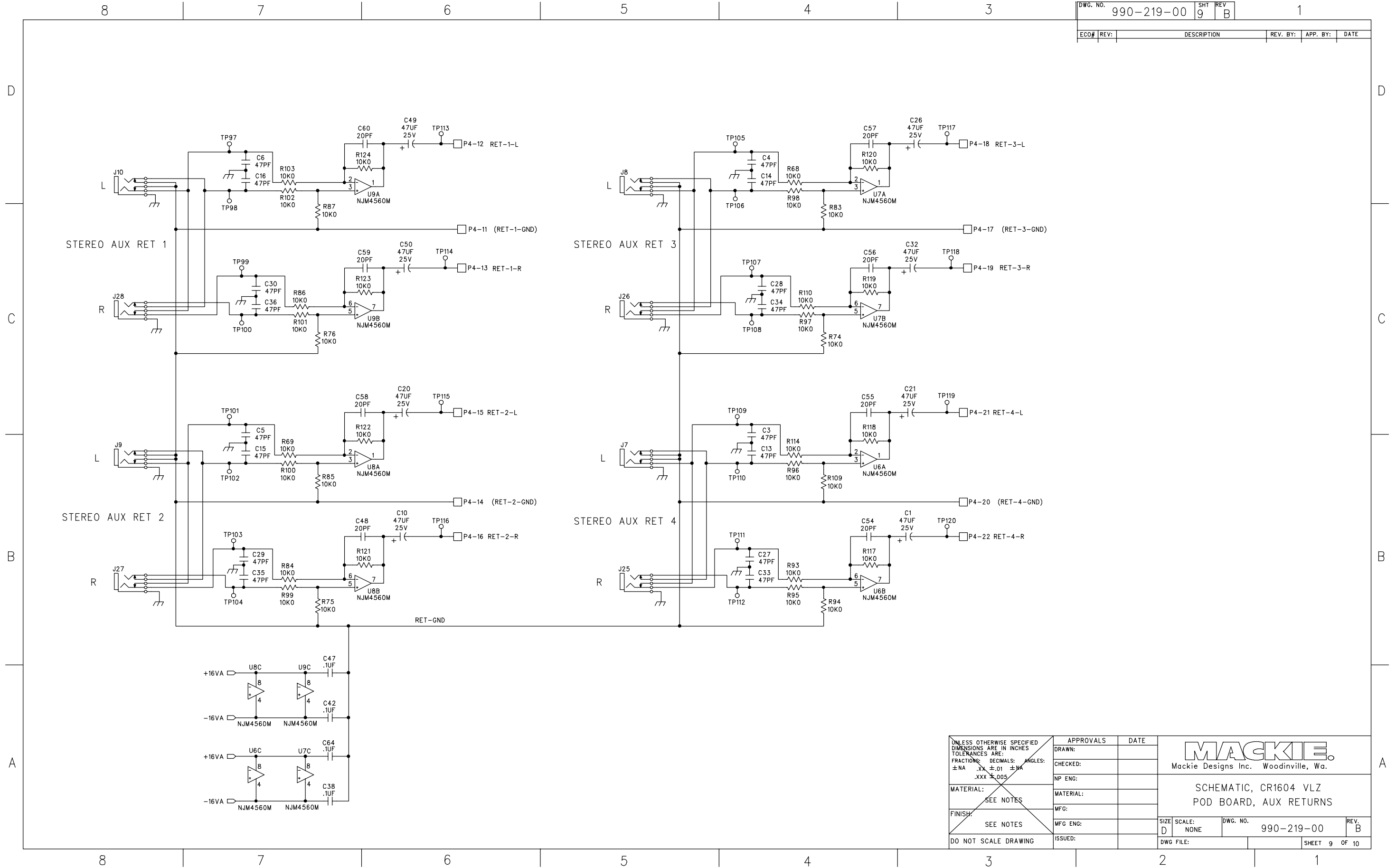


UNLESS OTHERWISE SPECIFIED DIMENSIONS ARE IN INCHES TOLERANCES ARE: FRACTIONS: DECIMALS: ANGLES: ±.NA .XX ±.01 ±.NA .XXX ±.005	APPROVALS	DATE
	DRAWN:	
	CHECKED:	
	NP ENG:	
MATERIAL:	MATERIAL:	
FINISH:	MFG:	
DO NOT SCALE DRAWING	MFG ENG:	
	ISSUED:	

MACKIE Mackie Designs Inc. Woodinville, Wa.	
SCHEMATIC, CR1604 VLZ POD, CH 13/14	
SIZE: D	SCALE: NONE
DWG. NO. 990-219-00	REV. B
DWG FILE:	SHEET 7 OF 10

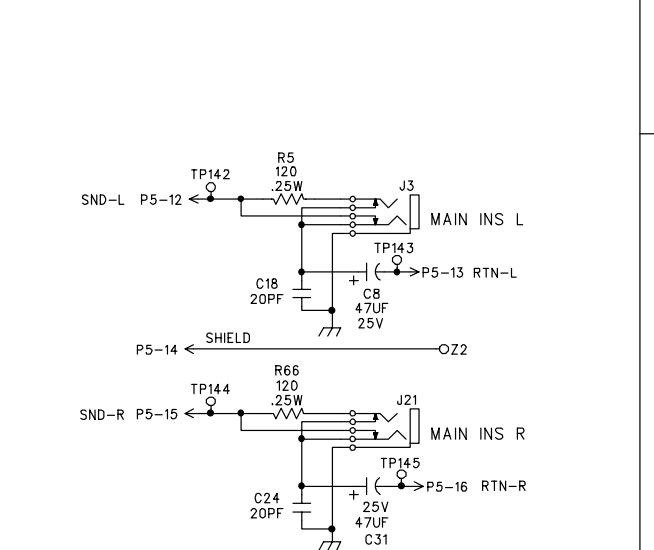
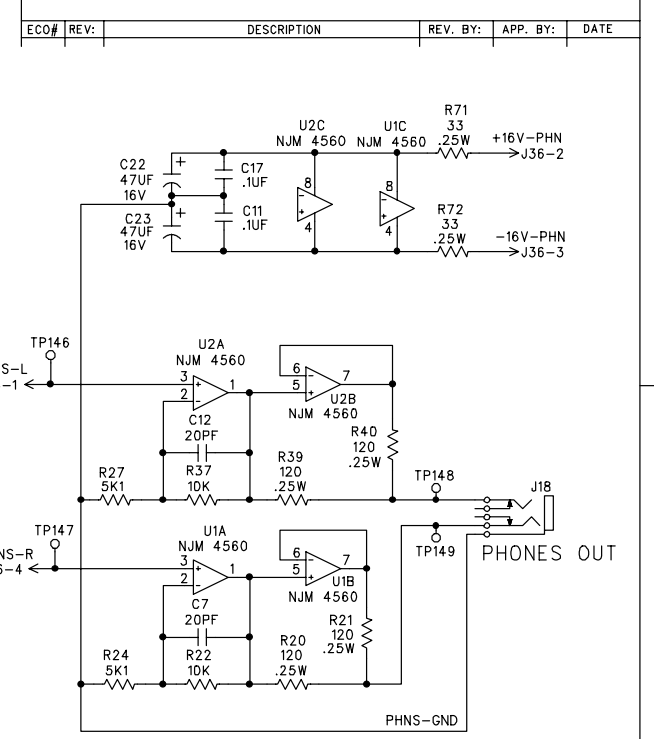
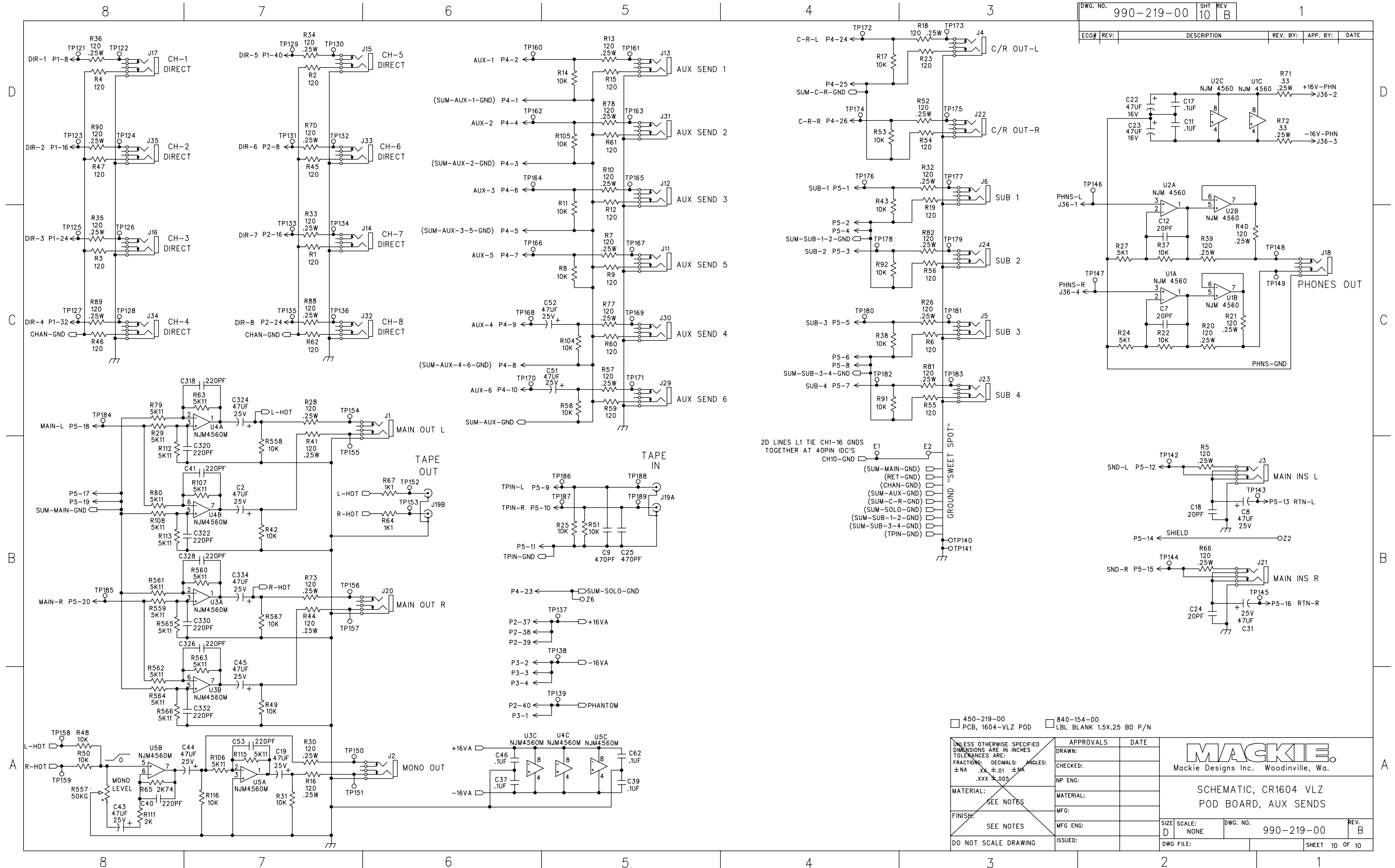


UNLESS OTHERWISE SPECIFIED DIMENSIONS ARE IN INCHES TOLERANCES ARE: FRACTIONS: DECIMALS: ANGLES: ±NA .XX ±.01 ±NA .XXX ±.005	APPROVALS	DATE	<p>Mackie Designs Inc. Woodinville, Wa.</p> <p>SCHEMATIC, CR1604 VLZ POD, CH 15/16</p>
	DRAWN:		
	CHECKED:		
	NP ENG:		
MATERIAL:	MATERIAL:		SIZE: D SCALE: NONE DWG. NO. 990-219-00 REV. B DWG FILE: SHEET 8 OF 10
FINISH:	MFG:		
SEE NOTES	MFG ENG:		
DO NOT SCALE DRAWING	ISSUED:		

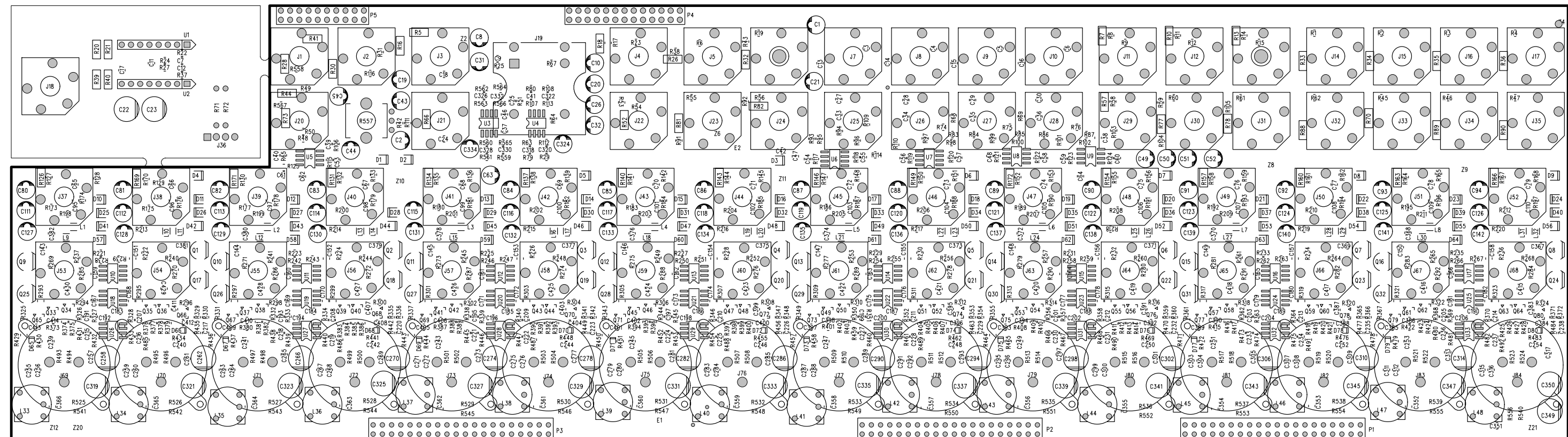
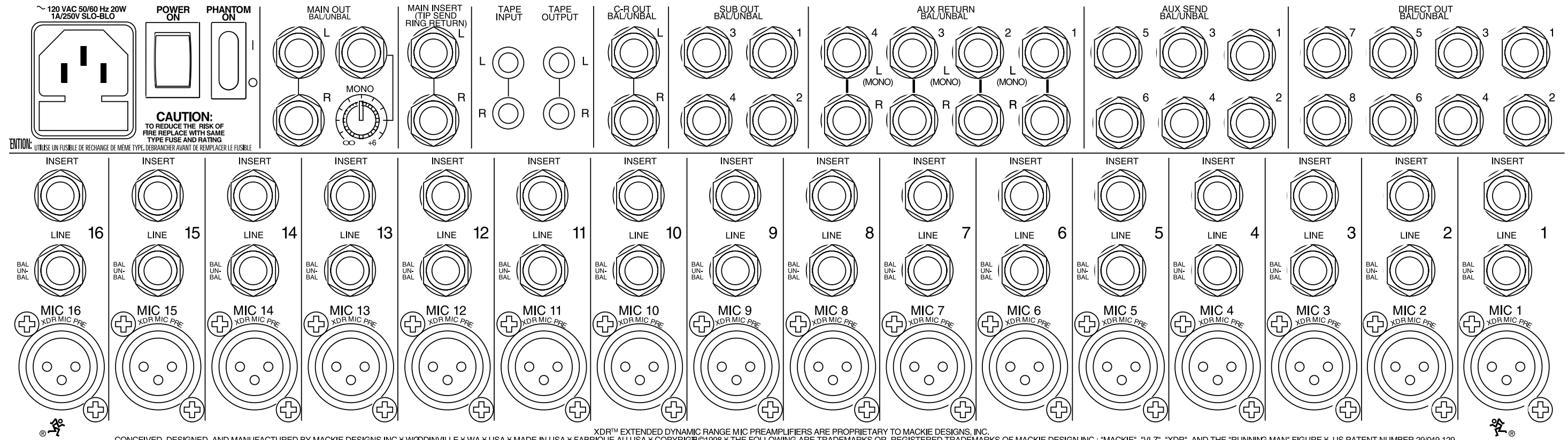


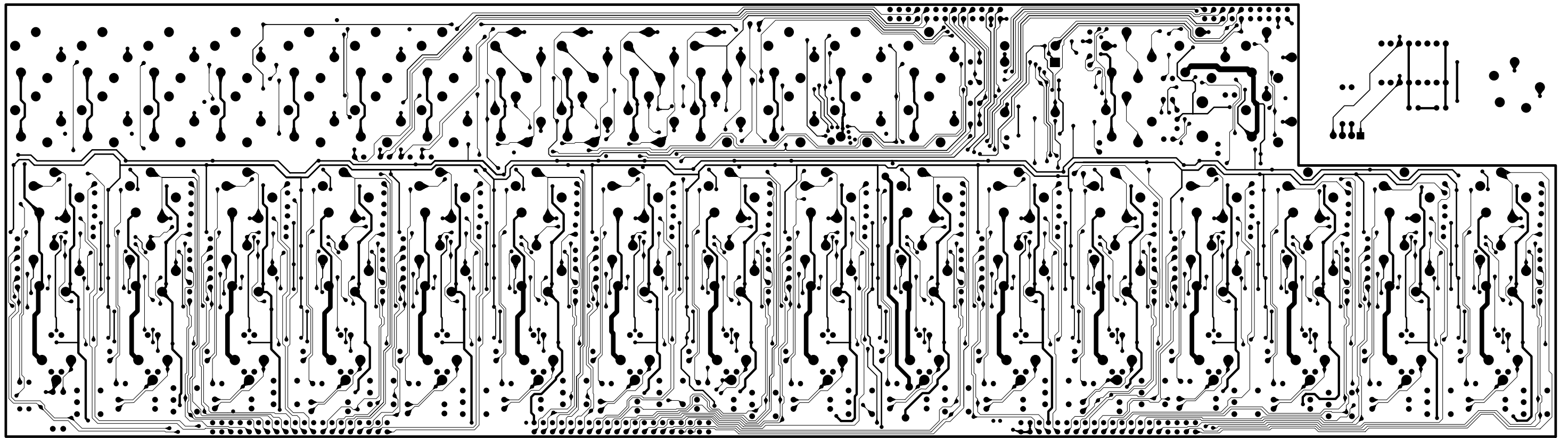
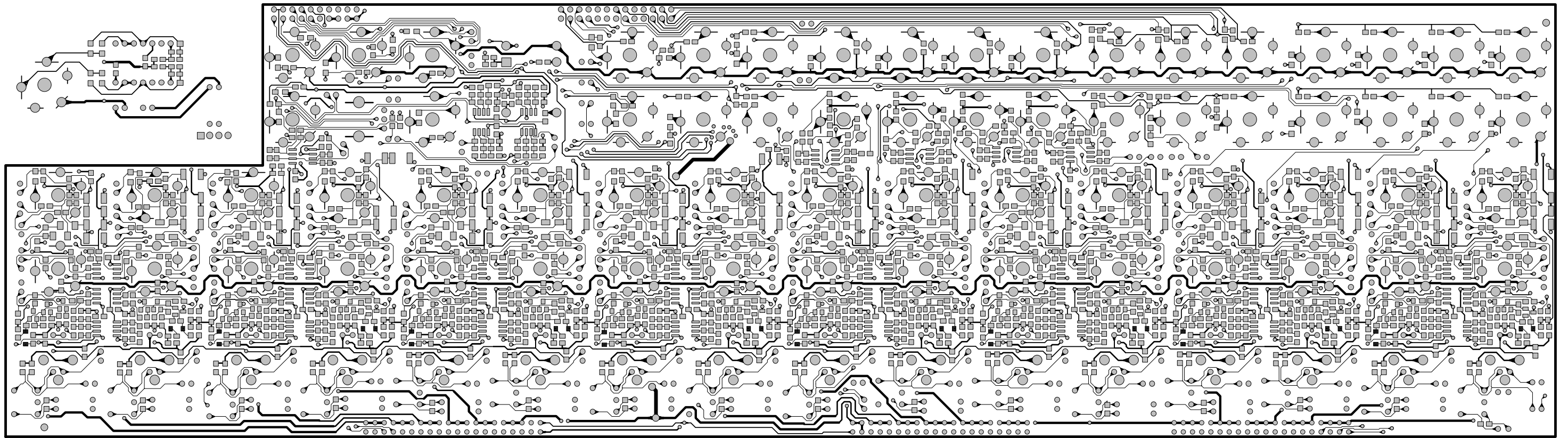
UNLESS OTHERWISE SPECIFIED DIMENSIONS ARE IN INCHES TOLERANCES ARE: FRACTIONS: DECIMALS: ANGLES: ±.NA .XX ±.01 ±.NA .XXX ±.005	APPROVALS	DATE
	DRAWN:	
	CHECKED:	
	NP ENG:	
MATERIAL:	MATERIAL:	
FINISH:	MFG:	
DO NOT SCALE DRAWING	MFG ENG:	
	ISSUED:	

MACKIE Mackie Designs Inc. Woodinville, Wa.		
SCHEMATIC, CR1604 VLZ POD BOARD, AUX RETURNS		
SIZE: D	SCALE: NONE	DWG. NO. 990-219-00
		REV. B
DWG FILE:		SHEET 9 OF 10



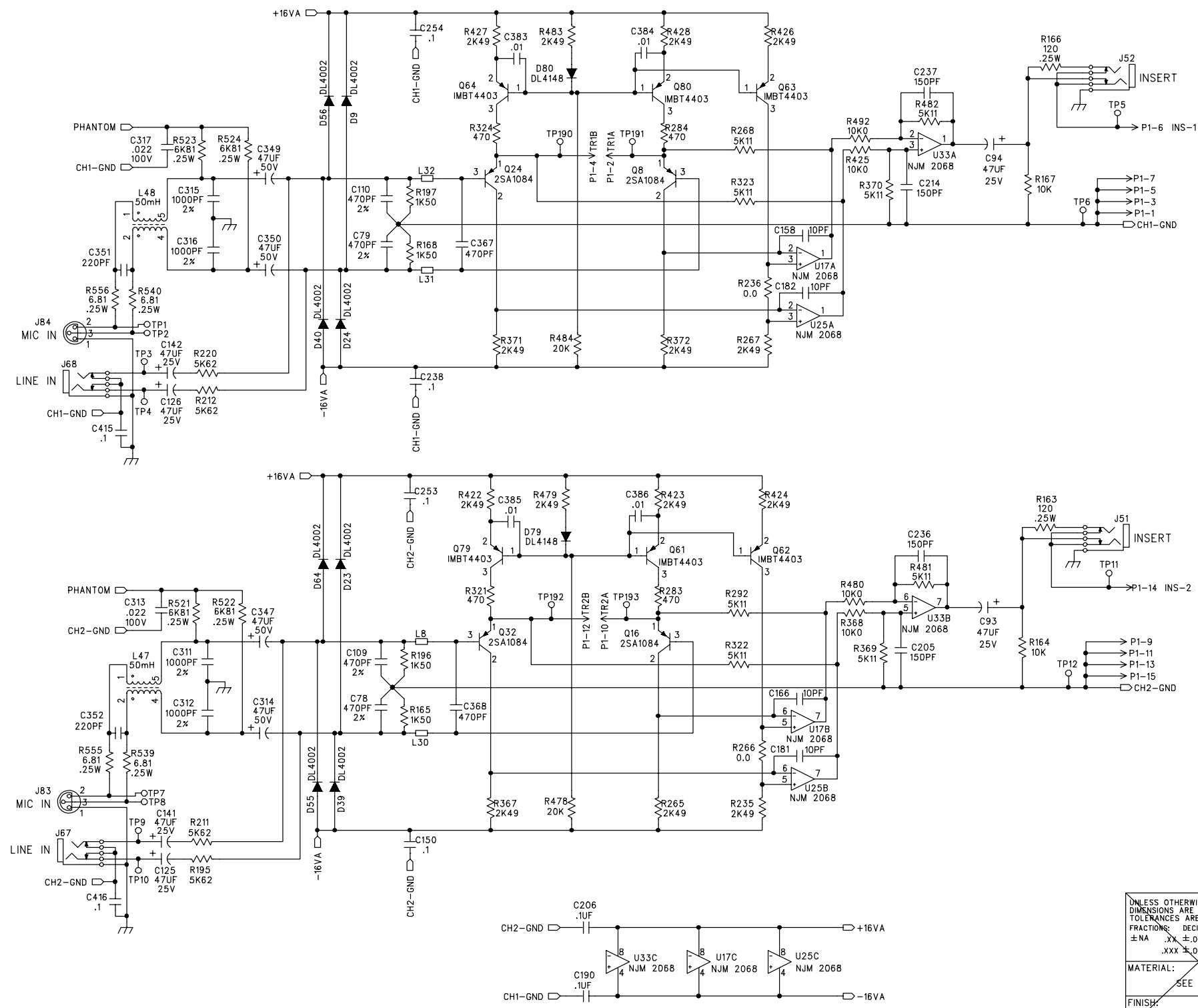
<p>450-219-00 PCB, 1604-VLZ POD</p> <p>840-154-00 LBL BLANK 1.5X.25 BD P/N</p> <p>UNLESS OTHERWISE SPECIFIED DIMENSIONS ARE IN INCHES TOLERANCES ARE:</p> <p>FRACTIONS: DECIMALS: ANGLES:</p> <p>±NA .XX ±.01 ±NA</p> <p>.XXX ±.005</p> <p>MATERIAL: SEE NOTES</p> <p>FINISH: SEE NOTES</p> <p>DO NOT SCALE DRAWING</p>	<table border="1"> <tr><th>APPROVALS</th><th>DATE</th></tr> <tr><td> </td><td> </td></tr> <tr><td> </td><td> </td></tr> <tr><td> </td><td> </td></tr> <tr><td> </td><td> </td></tr> <tr><td> </td><td> </td></tr> <tr><td> </td><td> </td></tr> <tr><td> </td><td> </td></tr> <tr><td> </td><td> </td></tr> <tr><td> </td><td> </td></tr> </table>	APPROVALS	DATE																			<p>MACKIE</p> <p>Mackie Designs Inc. Woodinville, Wa.</p> <p>SCHMATIC, CR1604 VLZ POD BOARD, AUX SENDS</p> <table border="1"> <tr><td>SIZE</td><td>SCALE</td><td>DWG. NO.</td><td>REV.</td></tr> <tr><td>D</td><td>NONE</td><td>990-219-00</td><td>B</td></tr> <tr><td>DWG FILE:</td><td> </td><td> </td><td> </td></tr> <tr><td> </td><td> </td><td> </td><td> </td></tr> </table>	SIZE	SCALE	DWG. NO.	REV.	D	NONE	990-219-00	B	DWG FILE:							
APPROVALS	DATE																																					
SIZE	SCALE	DWG. NO.	REV.																																			
D	NONE	990-219-00	B																																			
DWG FILE:																																						



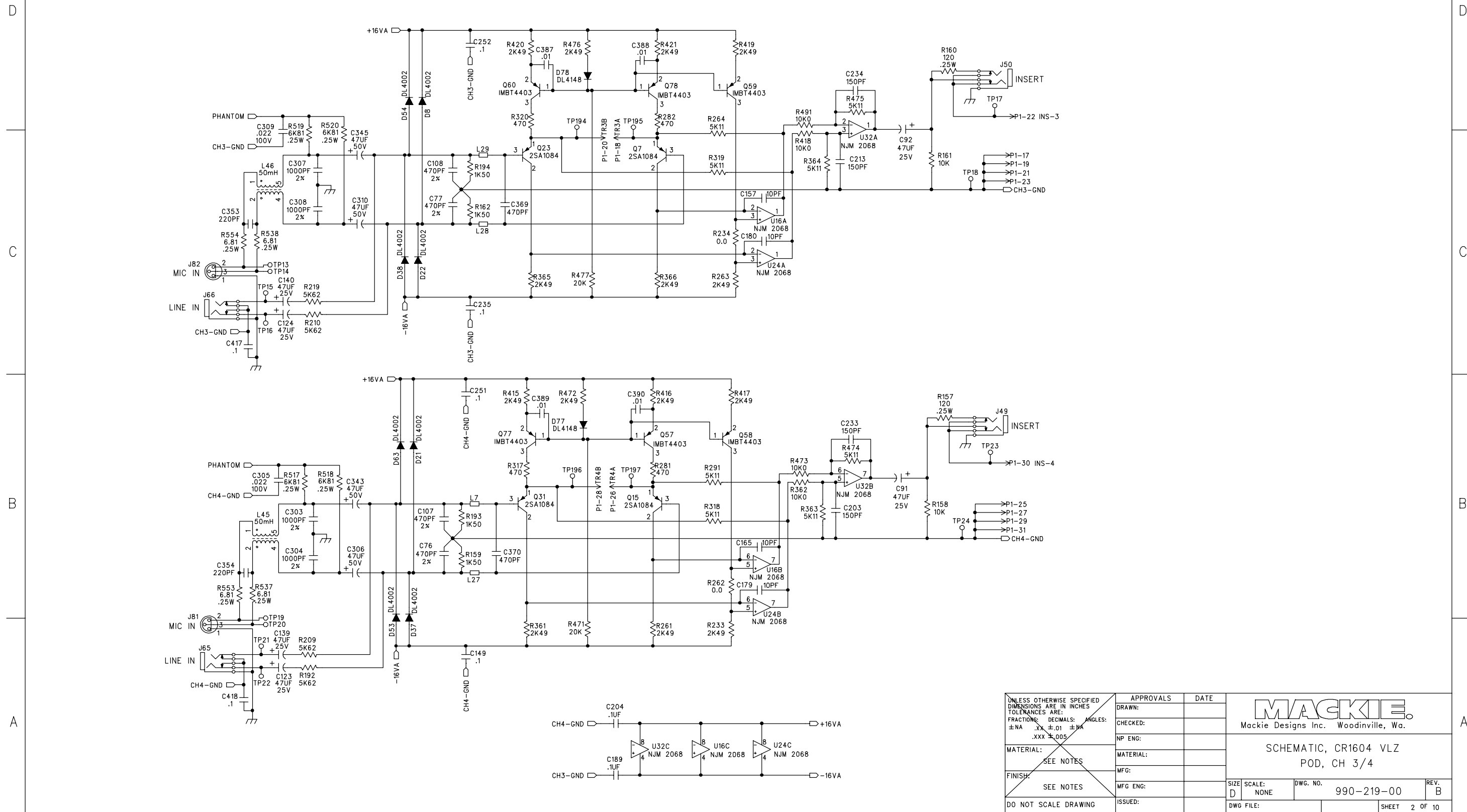


219-12 POD BOARD 219 REV B

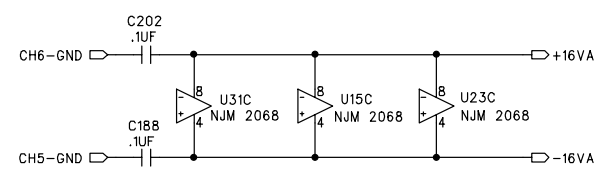
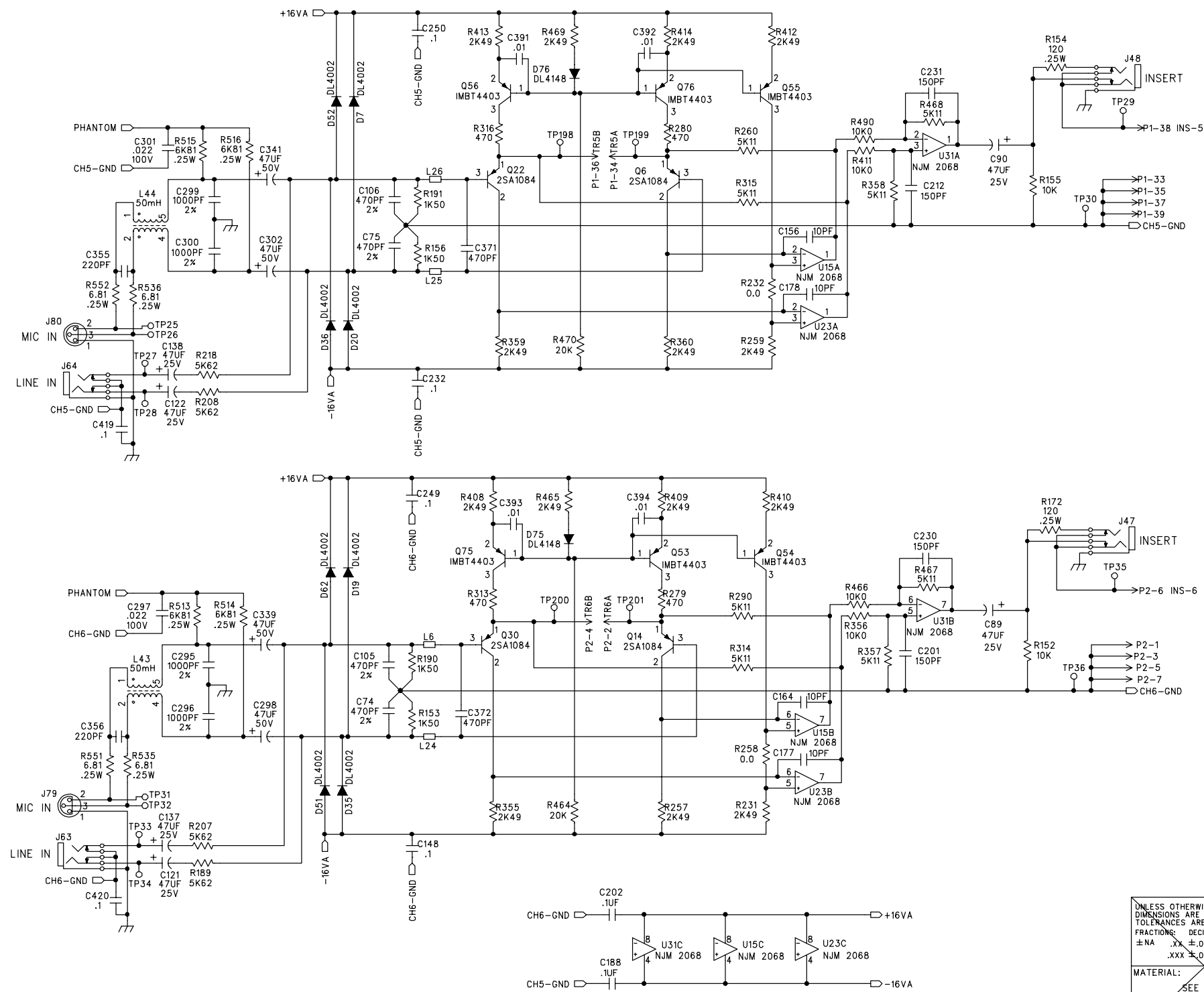
DWG. NO.	990-219-00	SHT	REV	1	B	1
REV:	ECO#	DESCRIPTION	REV. BY:	APP. BY:	DATE	
B	2165	ADD LABEL TO B.O.M.	KR		2-3-99	
	2180	MOVE CHOKES				



UNLESS OTHERWISE SPECIFIED DIMENSIONS ARE IN INCHES TOLERANCES ARE: FRACTIONS: DECIMALS: ANGLES: ±.NA .XX ±.01 ±.NA .XXX ±.005	APPROVALS	DATE	 Mackie Designs Inc. Woodinville, Wa.
	DRAWN: KR	4-21-98	
	CHECKED:		
	NP ENG: CW	12-2-98	
MATERIAL:	MATERIAL:		SCHEMATIC, CR1604 VLZ POD, CH 1/2
FINISH:	MFG:		
SEE NOTES	MFG ENG:		
DO NOT SCALE DRAWING	ISSUED: LEIGH	12-3-98	SIZE: D SCALE: NONE DWG. NO.: 990-219-00 REV.: B DWG FILE: SHEET 1 OF 10

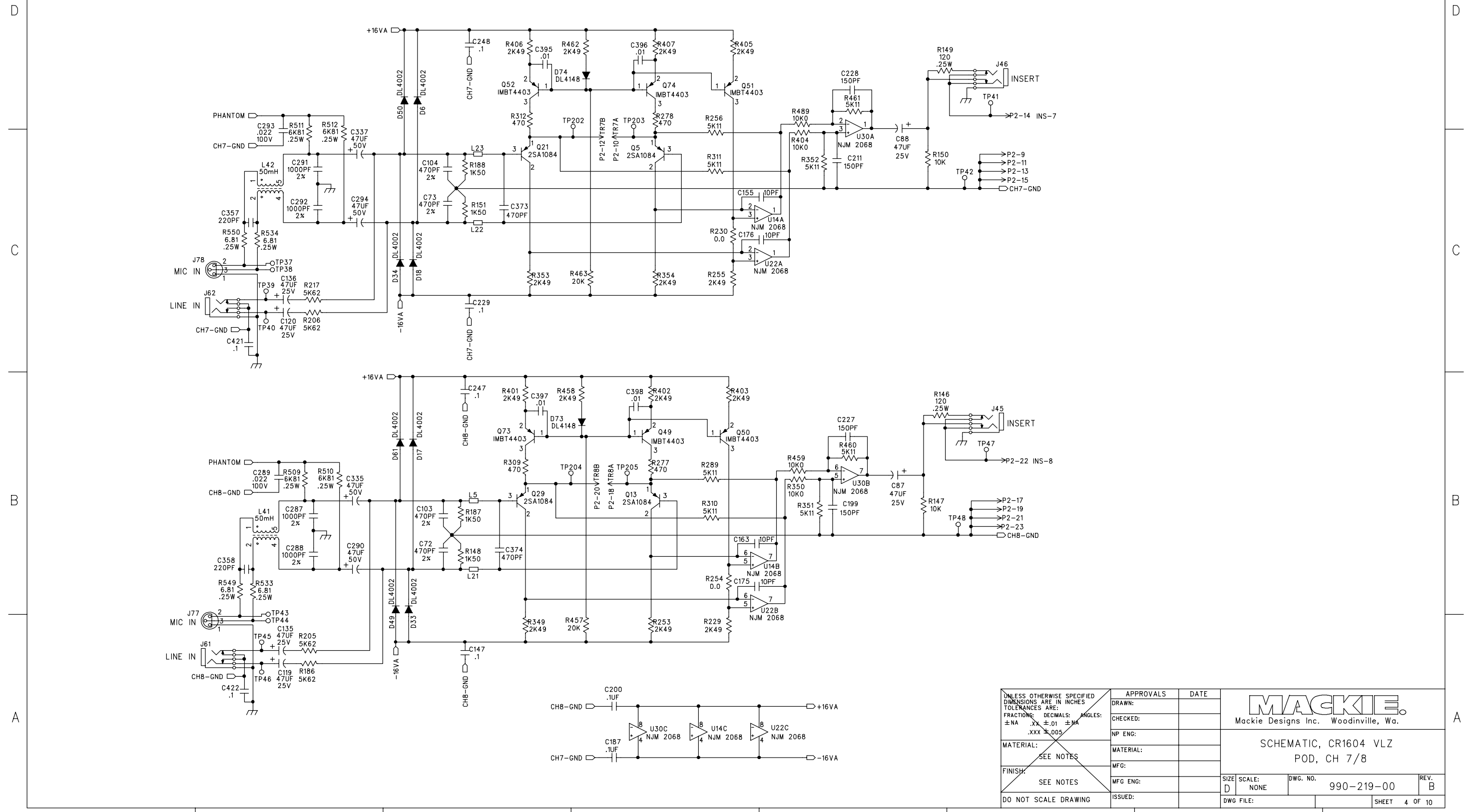


UNLESS OTHERWISE SPECIFIED DIMENSIONS ARE IN INCHES FRACTIONS: DECIMALS: ANGLES: ±NA .XX ±.01 ±NA .XXX ±.005 MATERIAL: SEE NOTES FINISH: SEE NOTES DO NOT SCALE DRAWING	APPROVALS	DATE	
	DRAWN:		
	CHECKED:		
	NP ENG:		
	MATERIAL:		SCHEMATIC, CR1604 VLZ POD, CH 3/4
	MFG:		
	MFG ENG:		SIZE: D SCALE: NONE DWG. NO. 990-219-00 REV. B
	ISSUED:		DWG FILE: SHEET 2 OF 10



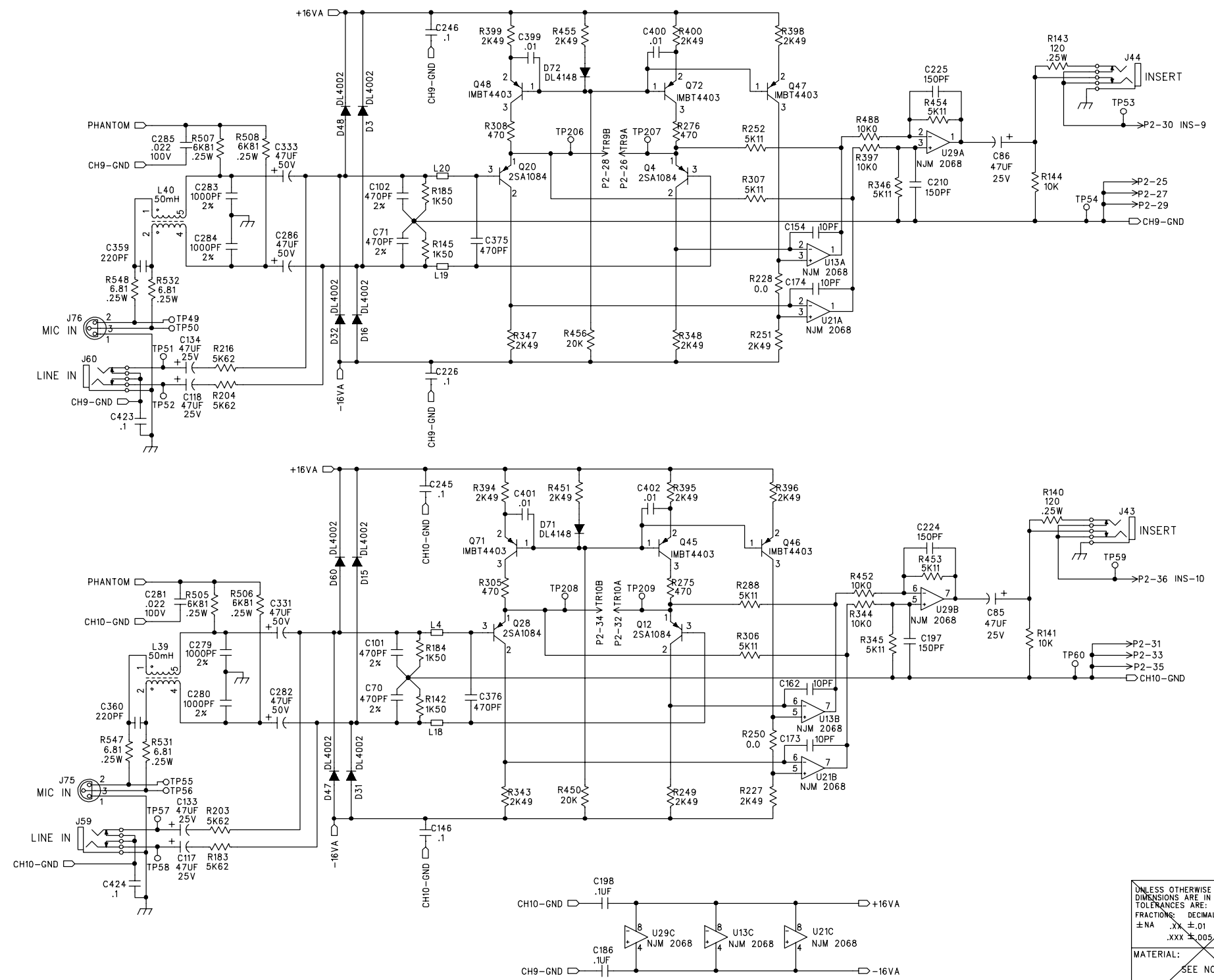
UNLESS OTHERWISE SPECIFIED DIMENSIONS ARE IN INCHES TOLERANCES ARE: FRACTIONS: DECIMALS: ANGLES: ±.NA .XX ±.01 ±.NA .XXX ±.005	APPROVALS	DATE
	DRAWN:	
	CHECKED:	
	NP ENG:	
MATERIAL:	MATERIAL:	
FINISH:	MFG:	
DO NOT SCALE DRAWING	MFG ENG:	
	ISSUED:	

MACKIE Mackie Designs Inc. Woodville, Wa.		
SCHEMATIC, CR1604 VLZ POD, CH 5/6		
SIZE: D	SCALE: NONE	DWG. NO. 990-219-00
		REV. B
DWG FILE:		SHEET 3 OF 10

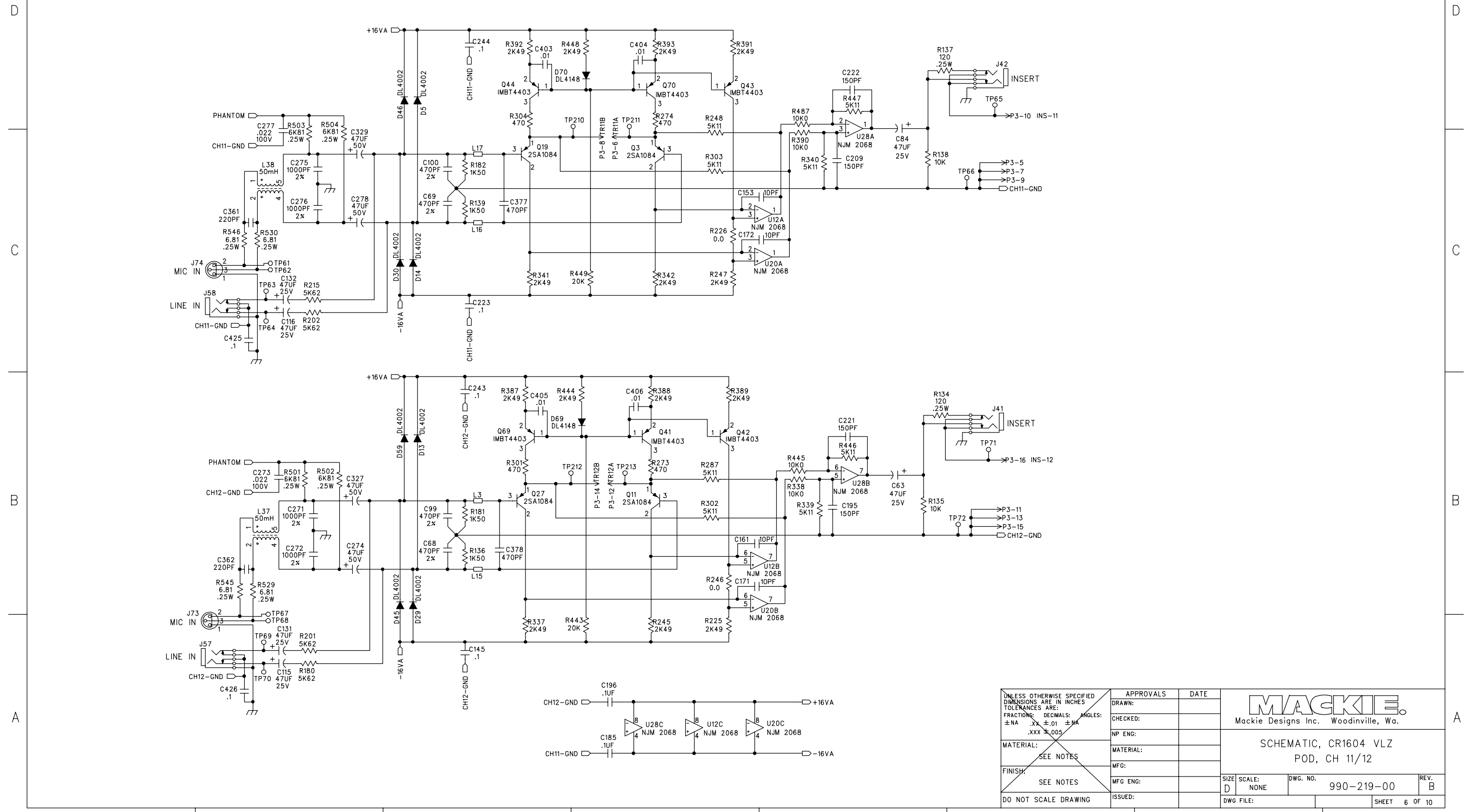


UNLESS OTHERWISE SPECIFIED DIMENSIONS ARE IN INCHES TOLERANCES ARE: FRACTIONS: DECIMALS: ANGLES: ±NA .XX ±.01 ±NA .XXX ±.005	APPROVALS	DATE	
	DRAWN:		
	CHECKED:		
	NP ENG:		
MATERIAL:	MATERIAL:		SCHEMATIC, CR1604 VLZ POD, CH 7/8
SEE NOTES	MFG:		
SEE NOTES	MFG ENG:		
DO NOT SCALE DRAWING	ISSUED:		
	SIZE D	SCALE: NONE	DWG. NO. 990-219-00
	DWG FILE:		REV. B
			SHEET 4 OF 10

219-4 POD BOARD 219 REV B

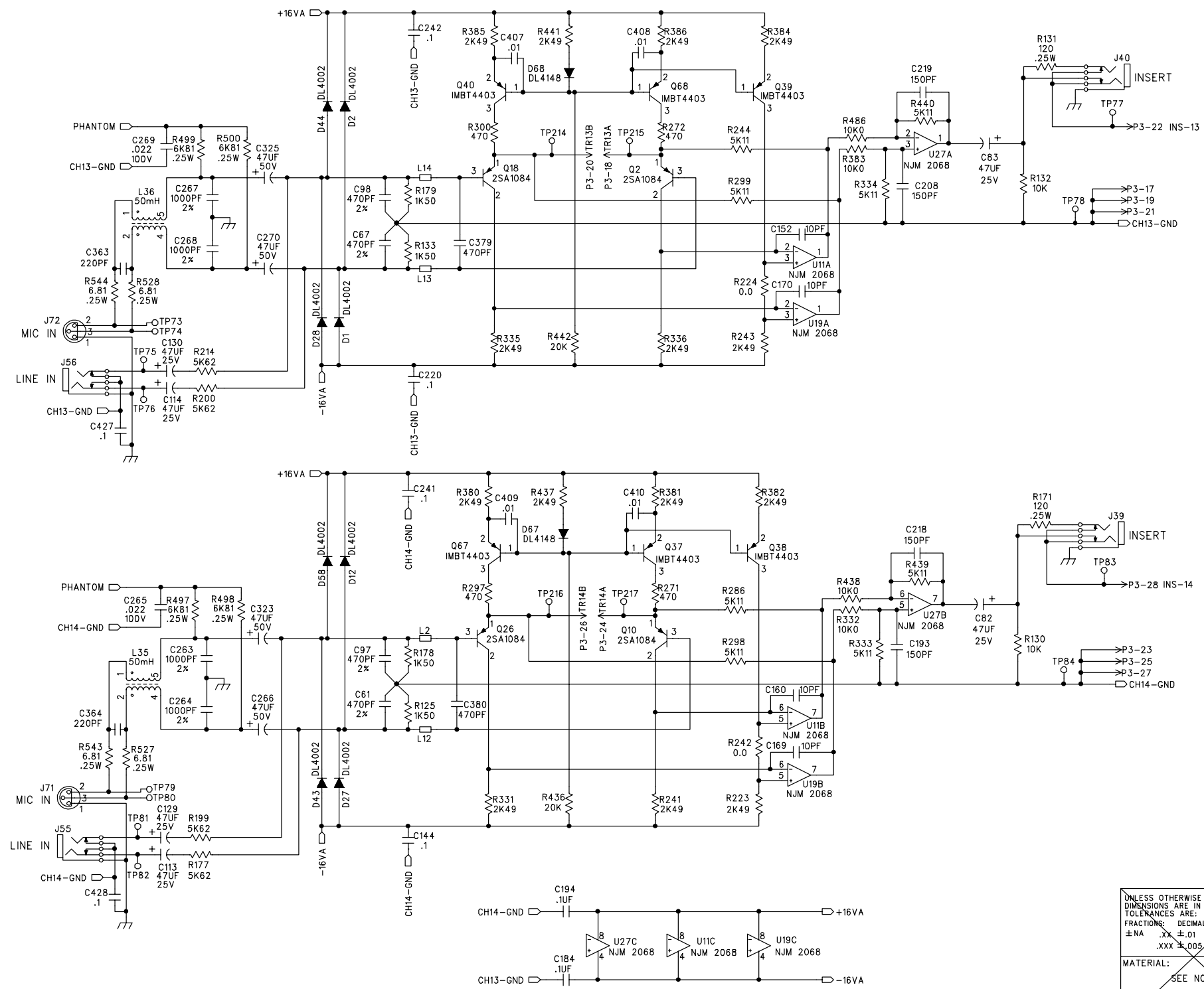


UNLESS OTHERWISE SPECIFIED DIMENSIONS ARE IN INCHES TOLERANCES ARE: FRACTIONS: .XX ±.01 ±.005 DECIMALS: .XXX ±.005 ANGLES: MATERIAL: FINISH: DO NOT SCALE DRAWING	APPROVALS	DATE	Mackie Designs Inc. Woodinville, Wa. SCHEMATIC, CR1604 VLZ POD, CH 9/10
	CHECKED:		
	NP ENG:		
	MATERIAL:		
SEE NOTES	MFG:		SIZE: D
SEE NOTES	MFG ENG:		SCALE: NONE
	ISSUED:		DWG. NO. 990-219-00
			REV. B
			DWG FILE:
			SHEET 5 OF 10



UNLESS OTHERWISE SPECIFIED DIMENSIONS ARE IN INCHES TOLERANCES ARE: FRACTIONS: DECIMALS: ANGLES: ±NA .XX ±.01 ±NA .XXX ±.005	APPROVALS	DATE	
	DRAWN:		
	CHECKED:		
	NP ENG:		
MATERIAL:	MATERIAL:		SCHEMATIC, CR1604 VLZ POD, CH 11/12
SEE NOTES	MFG:		
FINISH:	MFG ENG:		SIZE: D SCALE: NONE DWG. NO. 990-219-00 REV. B
DO NOT SCALE DRAWING	ISSUED:		DWG FILE: SHEET 6 OF 10

219-6 POD BOARD 219 REV B



UNLESS OTHERWISE SPECIFIED
DIMENSIONS ARE IN INCHES
TOLERANCES ARE:
FRACTIONS: DECIMALS: ANGLES:
±.NA .XX ±.01 ±.NA
.XXX ±.005

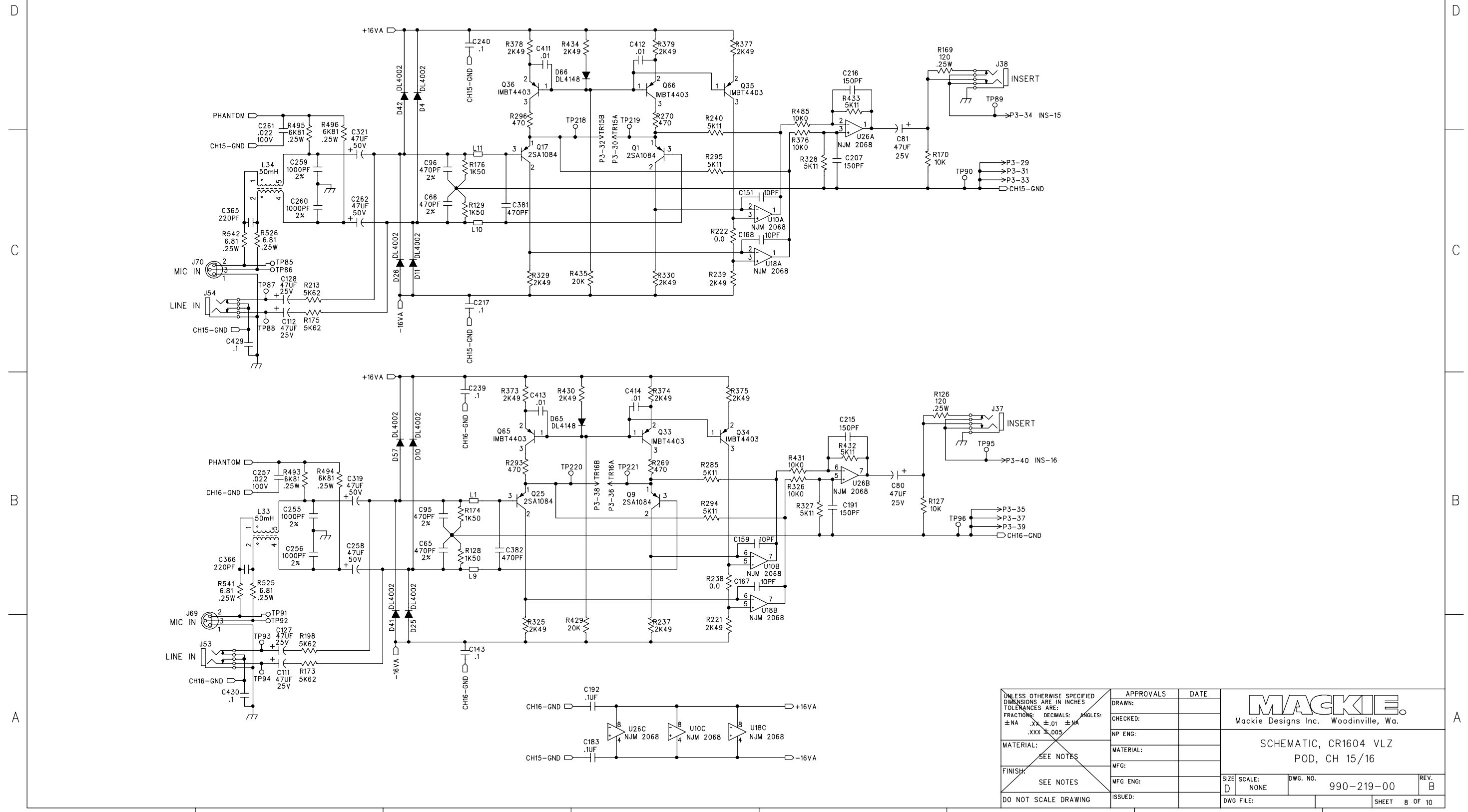
MATERIAL: SEE NOTES
FINISH: SEE NOTES
DO NOT SCALE DRAWING

APPROVALS	DATE
DRAWN:	
CHECKED:	
NP ENG:	
MATERIAL:	
MFG:	
MFG ENG:	
ISSUED:	

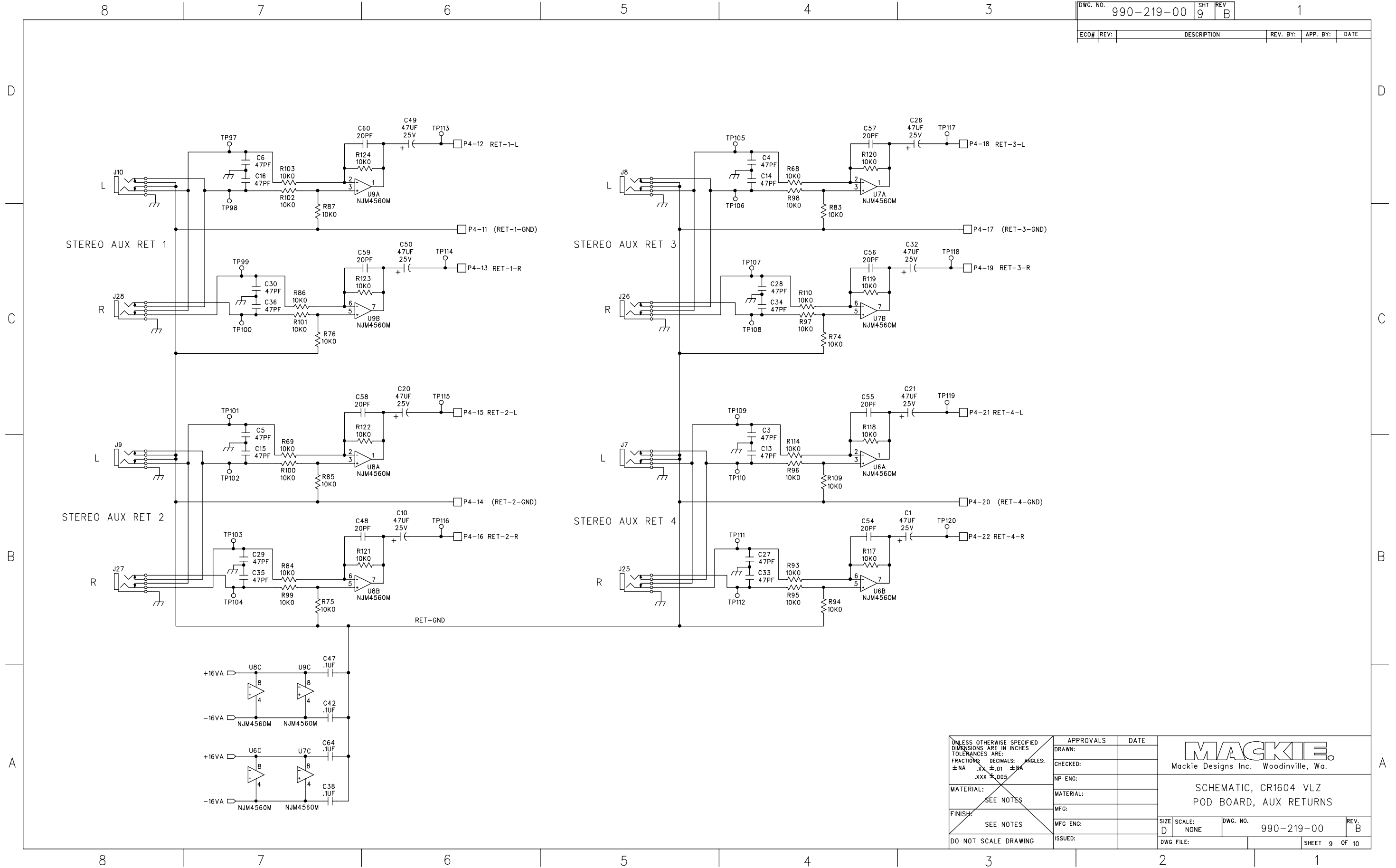
MACKIE
Mackie Designs Inc. Woodinville, Wa.

SCHEMATIC, CR1604 VLZ
POD, CH 13/14

SIZE: D	SCALE: NONE	DWG. NO. 990-219-00	REV. B
DWG FILE:		SHEET 7 OF 10	

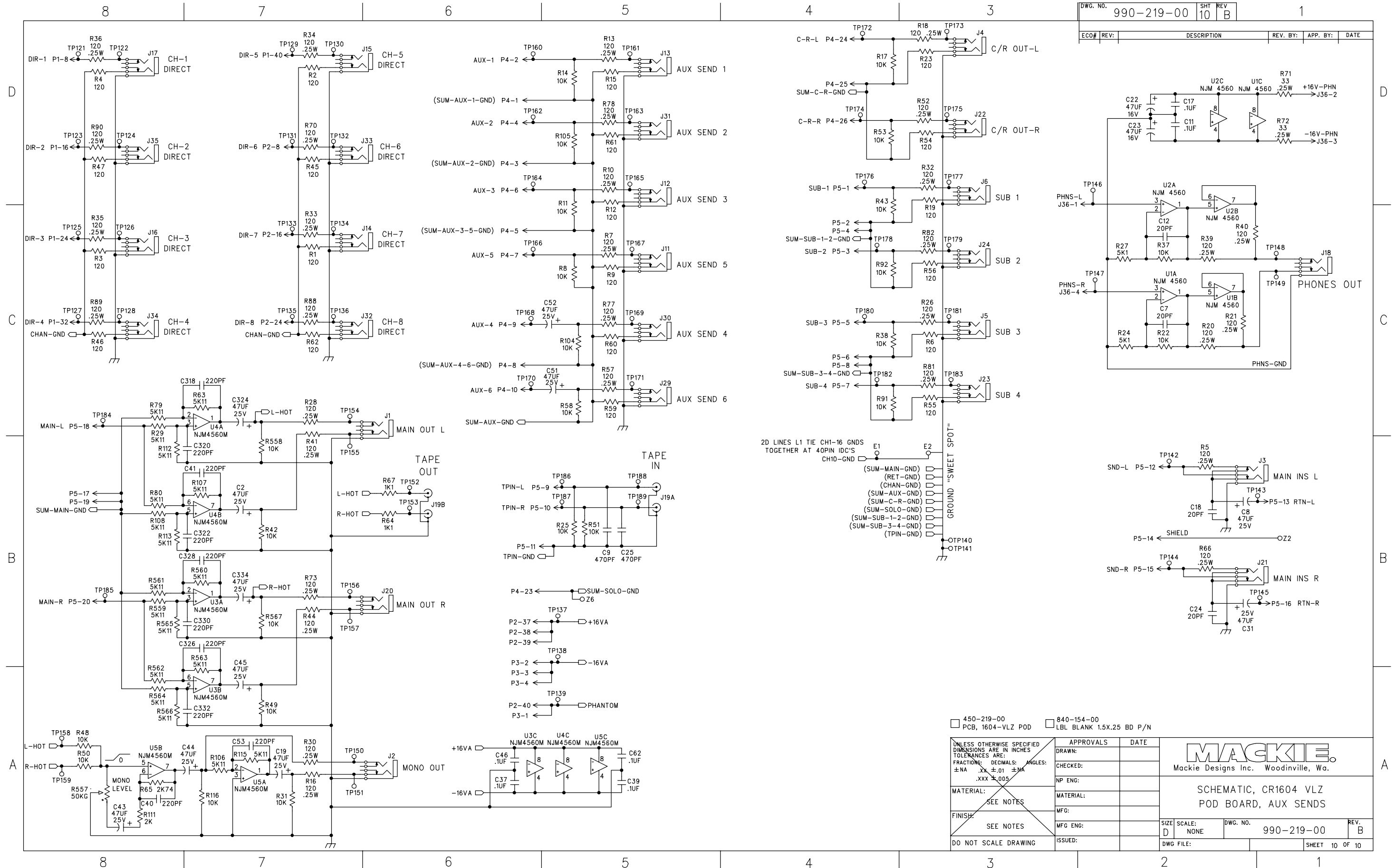


UNLESS OTHERWISE SPECIFIED DIMENSIONS ARE IN INCHES TOLERANCES ARE: FRACTIONS: DECIMALS: ANGLES: ±NA .XX ±.01 ±NA .XXX ±.005	APPROVALS	DATE	<p>Mackie Designs Inc. Woodinville, Wa.</p> <p>SCHEMATIC, CR1604 VLZ POD, CH 15/16</p>
	DRAWN:		
	CHECKED:		
	NP ENG:		
MATERIAL:	MATERIAL:		SIZE: D SCALE: NONE DWG. NO. 990-219-00 REV. B DWG FILE: SHEET 8 OF 10
FINISH:	MFG:		
DO NOT SCALE DRAWING	SEE NOTES	ISSUED:	



UNLESS OTHERWISE SPECIFIED DIMENSIONS ARE IN INCHES TOLERANCES ARE: FRACTIONS: DECIMALS: ANGLES: ±.NA .XX ±.01 ±.NA .XXX ±.005	APPROVALS	DATE
	DRAWN:	
	CHECKED:	
	NP ENG:	
MATERIAL:	MATERIAL:	
FINISH:	MFG:	
DO NOT SCALE DRAWING	MFG ENG:	
	ISSUED:	

MACKIE Mackie Designs Inc. Woodinville, Wa.			
SCHEMATIC, CR1604 VLZ POD BOARD, AUX RETURNS			
SIZE	SCALE:	DWG. NO.	REV.
D	NONE	990-219-00	B
DWG FILE:		SHEET 9 OF 10	



ECO#	REV.	DESCRIPTION	REV. BY:	APP. BY:	DATE

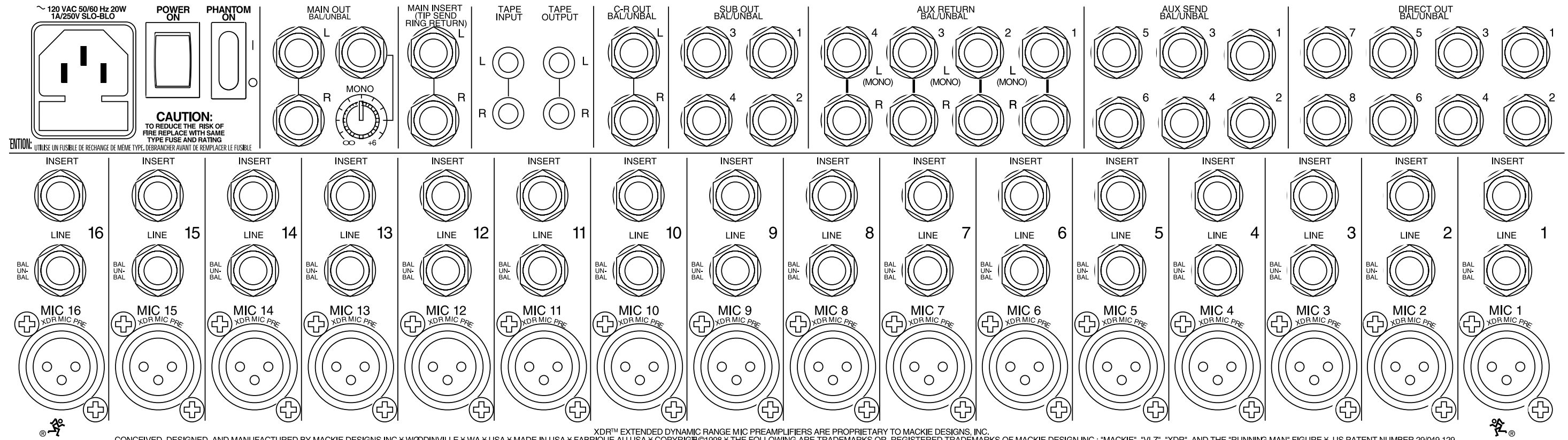
450-219-00 PCB, 1604-VLZ POD 840-154-00 LBL BLANK 1.5X.25 BD P/N

UNLESS OTHERWISE SPECIFIED DIMENSIONS ARE IN INCHES TOLERANCES ARE:	APPROVALS	DATE
FRACTIONS: DECIMALS: ANGLES:	DRAWN:	
±NA .XX ±.01 ±MA .xxx ±.005	CHECKED:	
MATERIAL:	NP ENG:	
SEE NOTES	MATERIAL:	
FINISH:	MFG:	
SEE NOTES	MFG ENG:	
DO NOT SCALE DRAWING	ISSUED:	

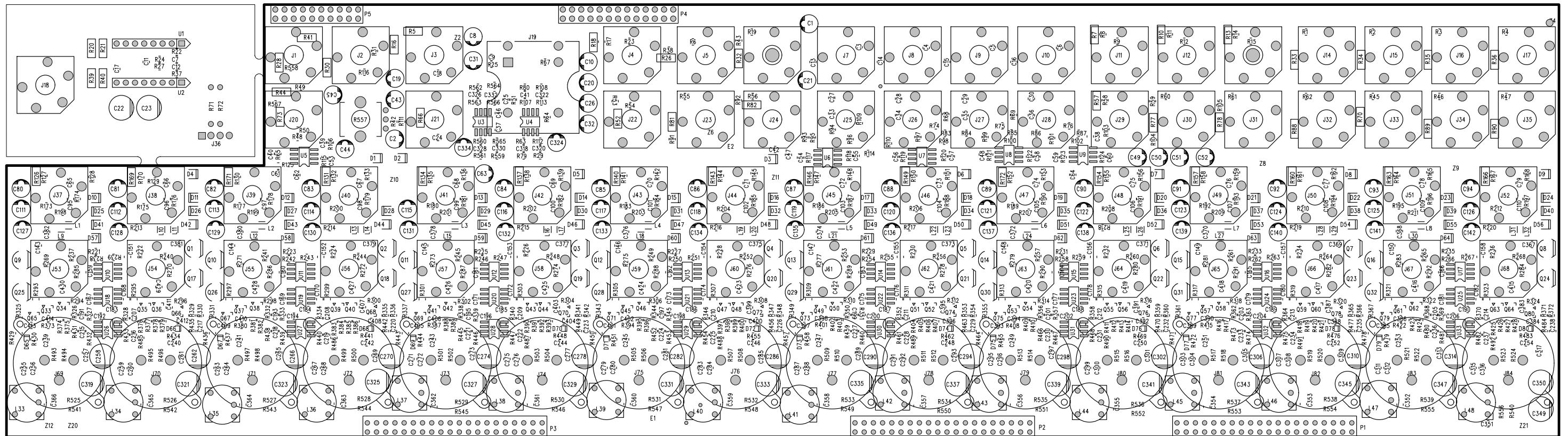
MACKIE.
Mackie Designs Inc. Woodinville, Wa.

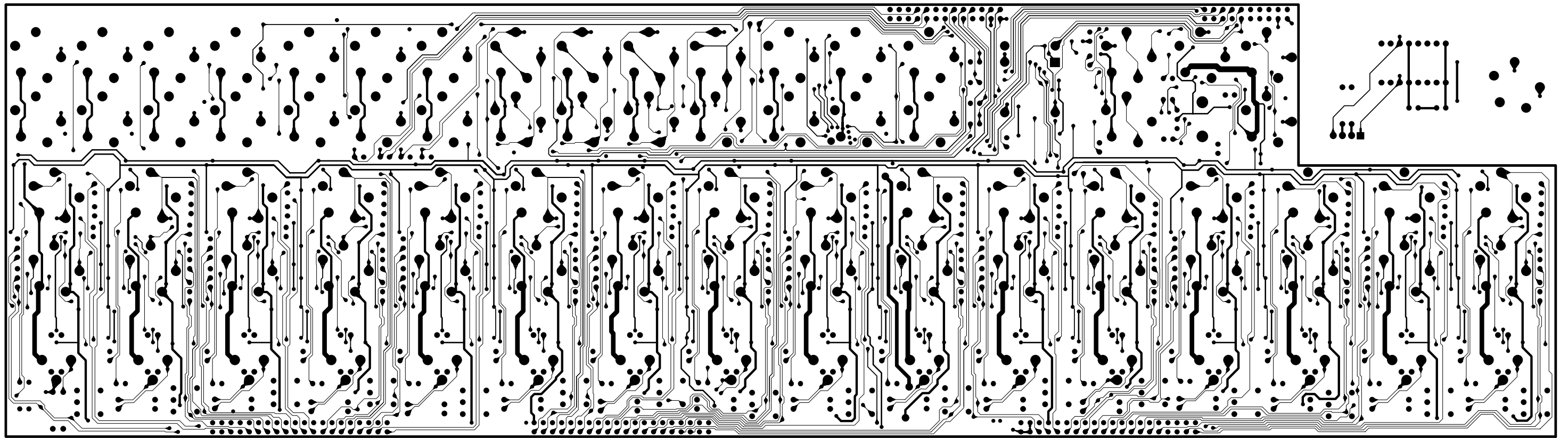
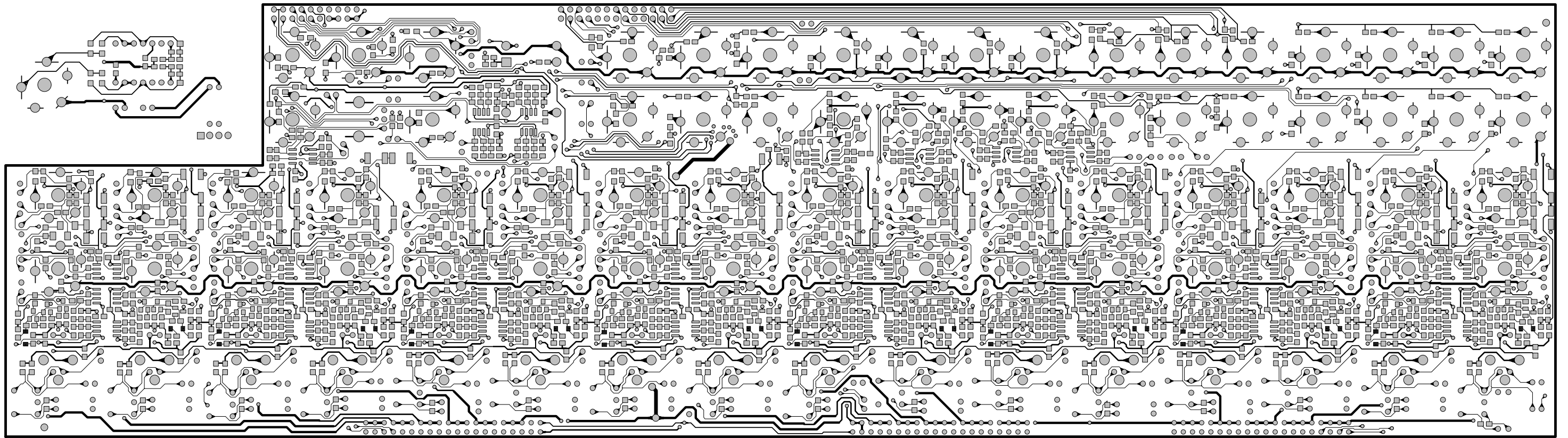
**SCHEMATIC, CR1604 VLZ
POD BOARD, AUX SENDS**

SIZE D	SCALE NONE	DWG. NO. 990-219-00	REV. B
DWG FILE:		SHEET 10 OF 10	

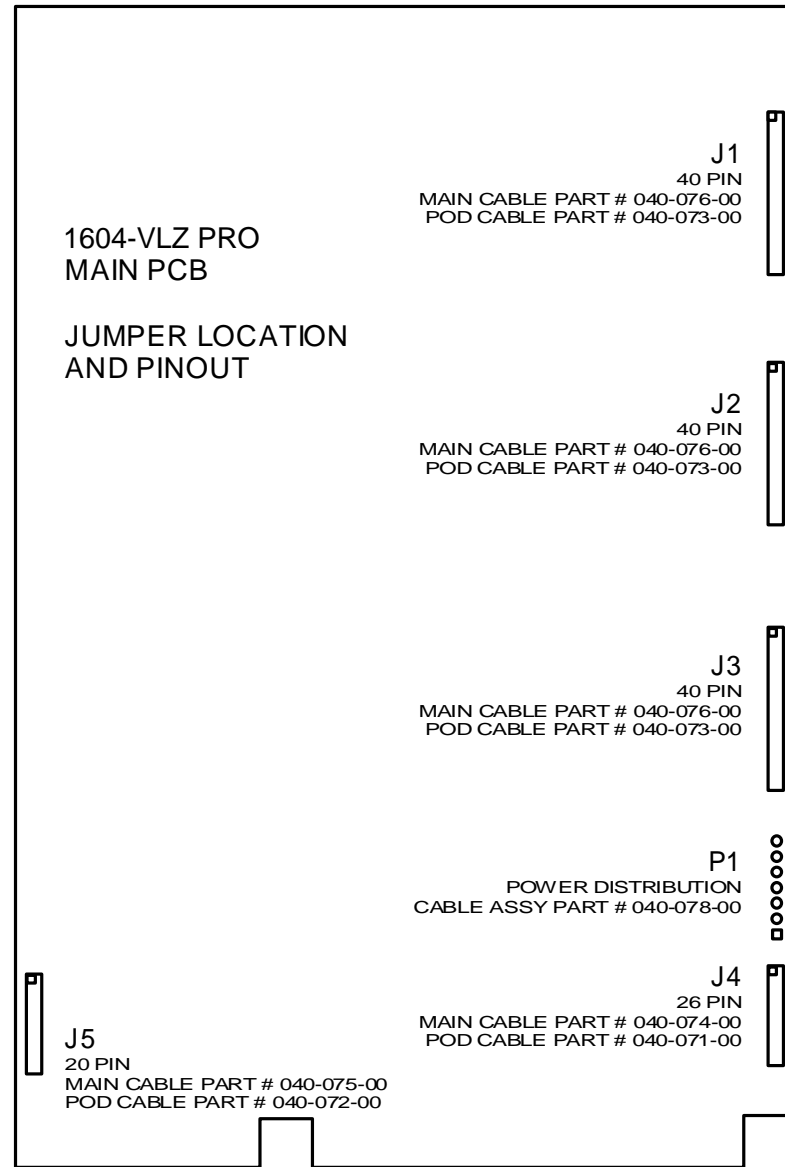


CONCEIVED, DESIGNED, AND MANUFACTURED BY MACKIE DESIGNS INC. WOODINVILLE, WA, USA. MADE IN USA. XDR™ EXTENDED DYNAMIC RANGE MIC PREAMPLIFIERS ARE PROPRIETARY TO MACKIE DESIGNS, INC. FABRIQUE AU USA. COPYRIGHT © 1998. THE FOLLOWING ARE TRADEMARKS OR REGISTERED TRADEMARKS OF MACKIE DESIGN INC.: "MACKIE", "VLZ", "XDR", AND THE "RUNNING MAN" FIGURE. US PATENT NUMBER 29/049,129





219-12 POD BOARD 219 REV B



J1

CHANNEL 1 GND	1	2	CHANNEL 1 TRIM A
CHANNEL 1 GND	3	4	CHANNEL 1 TRIM B
CHANNEL 1 GND	5	6	CHANNEL 1 IN
CHANNEL 1 GND	7	8	CHANNEL 1 DI OUT
CHANNEL 2 GND	9	10	CHANNEL 2 TRIM A
CHANNEL 2 GND	11	12	CHANNEL 2 TRIM B
CHANNEL 2 GND	13	14	CHANNEL 2 IN
CHANNEL 2 GND	15	16	CHANNEL 2 DI OUT
CHANNEL 3 GND	17	18	CHANNEL 3 TRIM A
CHANNEL 3 GND	19	20	CHANNEL 3 TRIM B
CHANNEL 3 GND	21	22	CHANNEL 3 IN
CHANNEL 3 GND	23	24	CHANNEL 3 DI OUT
CHANNEL 4 GND	25	26	CHANNEL 4 TRIM A
CHANNEL 4 GND	27	28	CHANNEL 4 TRIM B
CHANNEL 4 GND	29	30	CHANNEL 4 IN
CHANNEL 4 GND	31	32	CHANNEL 4 DI OUT
CHANNEL 5 GND	33	34	CHANNEL 5 TRIM A
CHANNEL 5 GND	35	36	CHANNEL 5 TRIM B
CHANNEL 5 GND	37	38	CHANNEL 5 IN
CHANNEL 5 GND	39	40	CHANNEL 5 DI OUT

J2

CHANNEL 6 GND	1	2	CHANNEL 6 TRIM A
CHANNEL 6 GND	3	4	CHANNEL 6 TRIM B
CHANNEL 6 GND	5	6	CHANNEL 6 IN
CHANNEL 6 GND	7	8	CHANNEL 6 DI OUT
CHANNEL 7 GND	9	10	CHANNEL 7 TRIM A
CHANNEL 7 GND	11	12	CHANNEL 7 TRIM B
CHANNEL 7 GND	13	14	CHANNEL 7 IN
CHANNEL 7 GND	15	16	CHANNEL 7 DI OUT
CHANNEL 8 GND	17	18	CHANNEL 8 TRIM A
CHANNEL 8 GND	19	20	CHANNEL 8 TRIM B
CHANNEL 8 GND	21	22	CHANNEL 8 IN
CHANNEL 8 GND	23	24	CHANNEL 8 DI OUT
CHANNEL 9 GND	25	26	CHANNEL 9 TRIM A
CHANNEL 9 GND	27	28	CHANNEL 9 TRIM B
CHANNEL 9 GND	29	30	CHANNEL 9 IN
CHANNEL 10 GND	31	32	CHANNEL 10 TRIM A
CHANNEL 10 GND	33	34	CHANNEL 10 TRIM B
CHANNEL 10 GND	35	36	CHANNEL 10 IN
+16 V	37	38	+16 V
+16 V	39	40	+48V PHANTOM PWR

J5

SUB 1 OUT	1	2	SUB 1 GND
SUB 2 OUT	3	4	SUB 2 OUT
SUB 3 OUT	5	6	SUB 3 GND
SUB 4 OUT	7	8	SUB 4 GND
TAPE IN LEFT	9	10	TAPE IN RIGHT
TAPE IN GND	11	12	LEFT MAIN INS SEND
LEFT MAIN INS RETURN	13	14	INSERT GND
RIGHT MAIN INS RTN	15	16	RIGHT MAIN INS SEND
MAIN L GND	17	18	MAIN L TO POD
MAIN R GND	19	20	MAIN R TO POD

P1

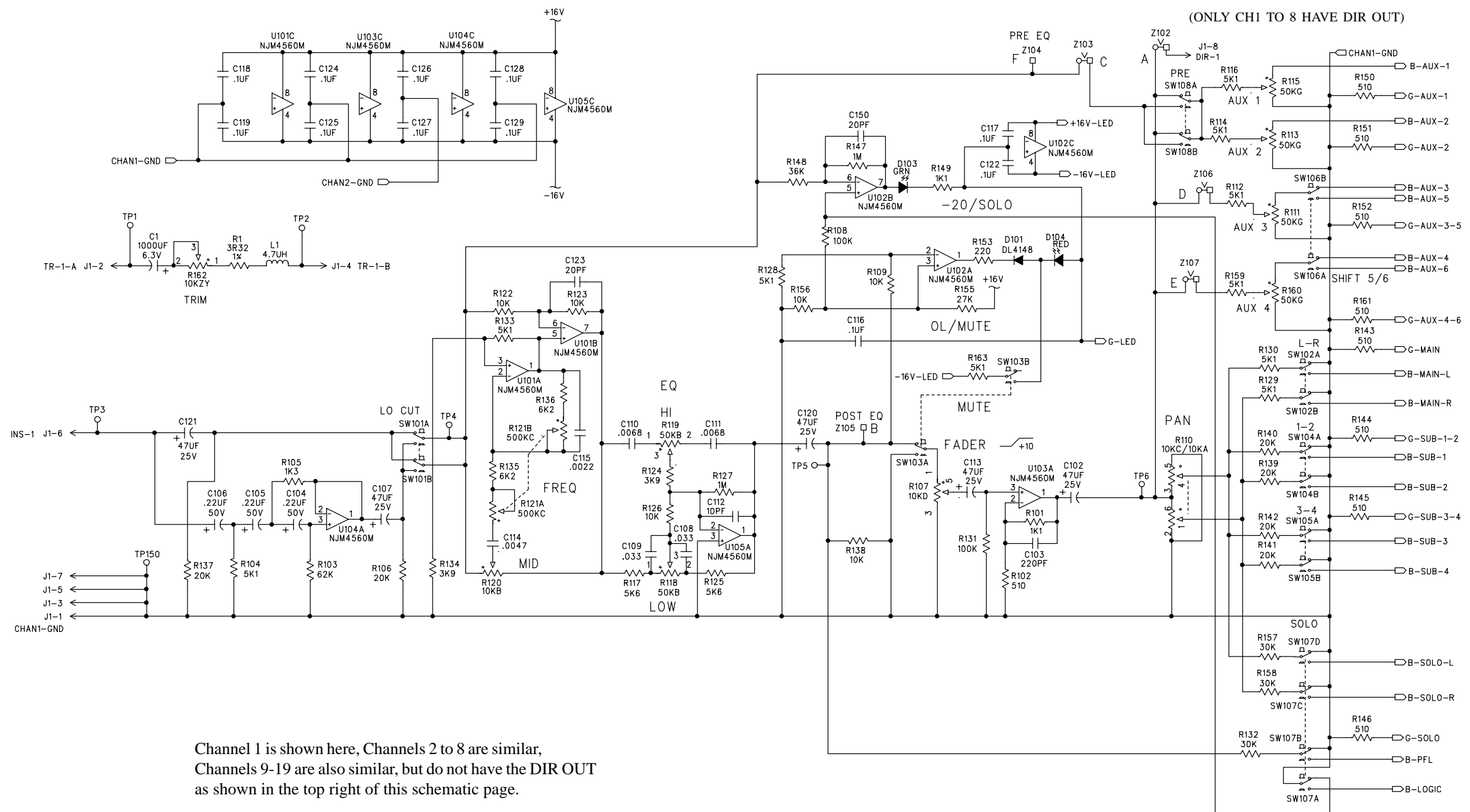
7	+48V PHANTOM
6	+16V LED
5	GND LED
4	-16V LED
3	+16V
2	GND
1	-16V

J4

AUX 1 SEND GND	1	2	AUX 1 SEND
AUX 2 SEND GND	3	4	AUX 2 SEND
AUX 3/5 SEND GND	5	6	AUX 3 SEND
AUX 5 SEND	7	8	AUX 4/6 SEND GND
AUX 4 SEND	9	10	AUX 6 SEND
AUX RETURN 1 GND	11	12	AUX RETURN 1 LEFT
AUX RETURN 1 RIGHT	13	14	AUX RETURN 2 GND
AUX RETURN 2 LEFT	15	16	AUX RETURN 2 RIGHT
AUX RETURN 3 GND	17	18	AUX RETURN 3 LEFT
AUX RETURN 3 RIGHT	19	20	AUX RETURN 4 GND
AUX RETURN 4 LEFT	21	22	AUX RETURN 4 RIGHT
CONTROL ROOM GND	23	24	CONTROL ROOM LEFT
CONTROL ROOM GND	25	26	CONTROL ROOM RIGHT

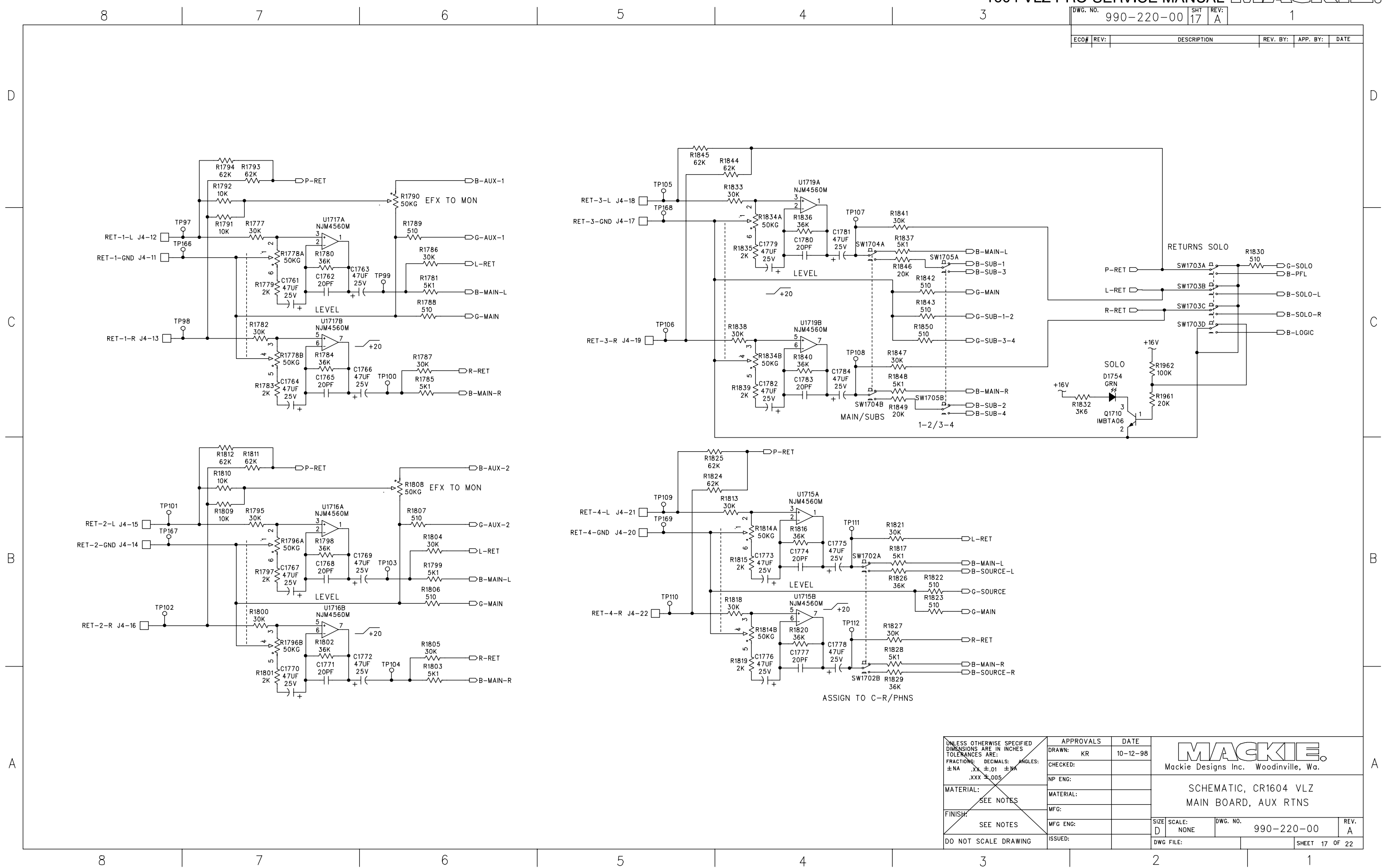
J3

+48V PHANTOM PWR	1	2	-16V
-16V	3	4	-16V
CHANNEL 11 GND	5	6	CHANNEL 11 TRIM A
CHANNEL 11 GND	7	8	CHANNEL 11 TRIM B
CHANNEL 11 GND	9	10	CHANNEL 11 IN
CHANNEL 12 GND	11	12	CHANNEL 12 TRIM A
CHANNEL 12 GND	13	14	CHANNEL 12 TRIM B
CHANNEL 12 GND	15	16	CHANNEL 12 IN
CHANNEL 13 GND	17	18	CHANNEL 13 TRIM A
CHANNEL 13 GND	19	20	CHANNEL 13 TRIM B
CHANNEL 13 GND	21	22	CHANNEL 13 IN
CHANNEL 14 GND	23	24	CHANNEL 14 TRIM A
CHANNEL 14 GND	25	26	CHANNEL 14 TRIM B
CHANNEL 14 GND	27	28	CHANNEL 14 IN
CHANNEL 15 GND	29	30	CHANNEL 15 TRIM A
CHANNEL 15 GND	31	32	CHANNEL 15 TRIM B
CHANNEL 15 GND	33	34	CHANNEL 15 IN
CHANNEL 16 GND	35	36	CHANNEL 16 TRIM A
CHANNEL 16 GND	37	38	CHANNEL 16 TRIM B
CHANNEL 16 GND	39	40	CHANNEL 16 IN

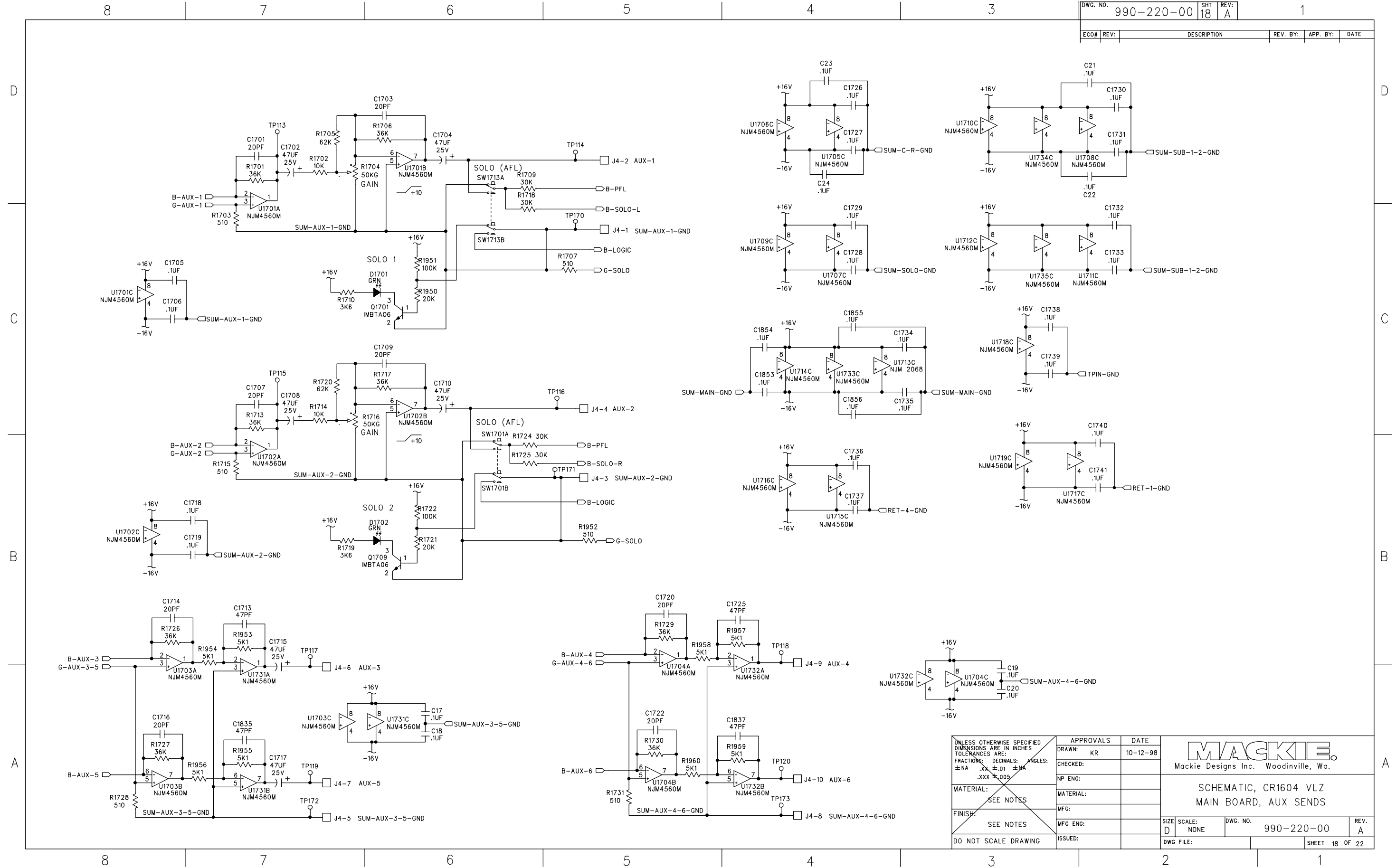


Channel 1 is shown here, Channels 2 to 8 are similar, Channels 9-19 are also similar, but do not have the DIR OUT as shown in the top right of this schematic page.

UNLESS OTHERWISE SPECIFIED DIMENSIONS ARE IN INCHES TOLERANCES ARE: FRACTIONS: DECIMALS: ANGLES: ±NA .XX ±.01 ±NA .XXX ±.005	APPROVALS	DATE	<p>Mackie Designs Inc. Woodinville, Wa.</p>
	DRAWN: KR	10-12-98	
	CHECKED:		
	NP ENG:		
MATERIAL:	MATERIAL:		SCHEMATIC, CR1604 VLZ MAIN BOARD, CHANNEL 1
SEE NOTES	MFG:		
SEE NOTES	MFG ENG:		
DO NOT SCALE DRAWING	ISSUED:		SIZE: D SCALE: NONE DWG. NO. 990-220-00 REV. A DWG FILE: SHEET 1 OF 22

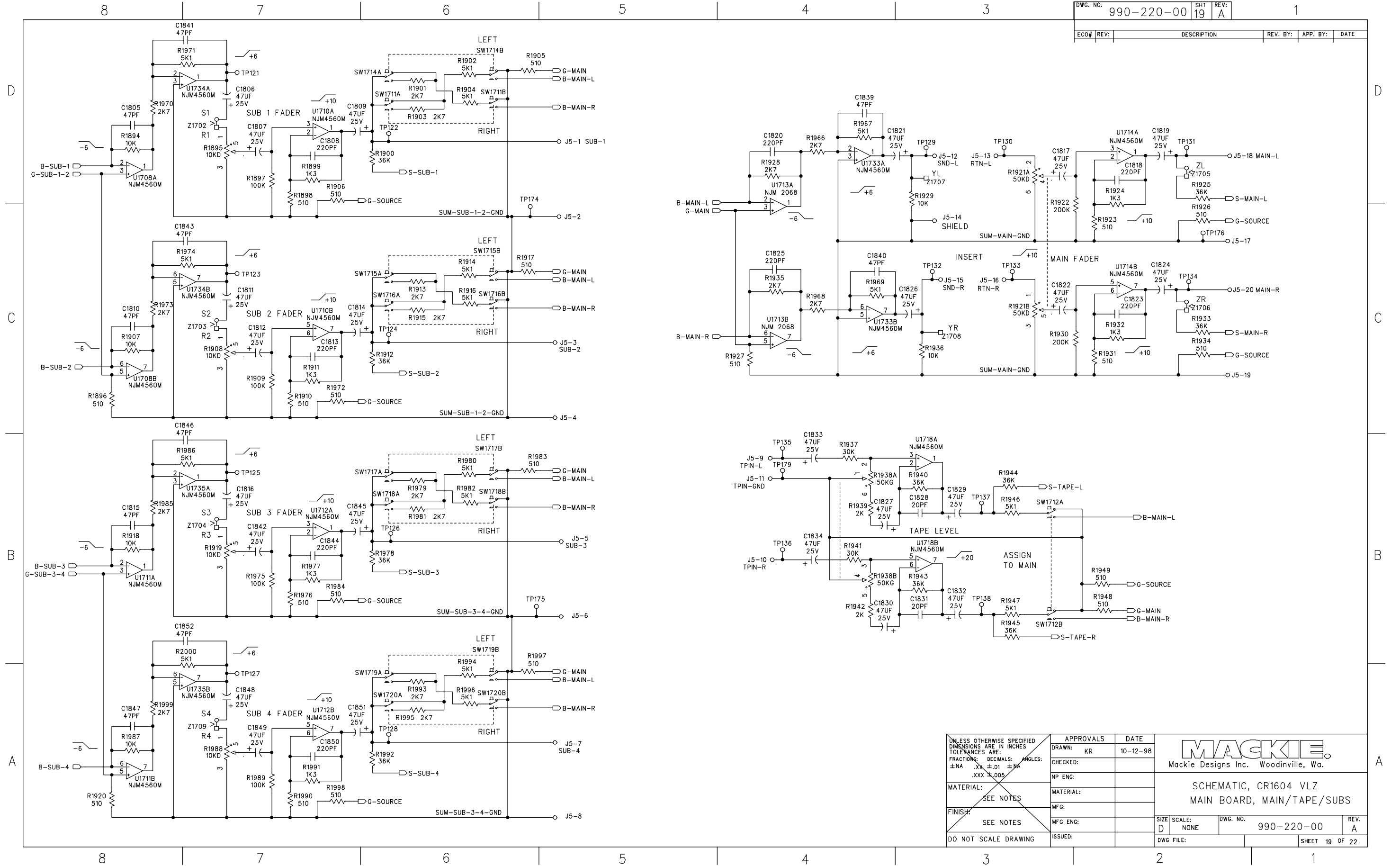


UNLESS OTHERWISE SPECIFIED DIMENSIONS ARE IN INCHES TOLERANCES ARE: FRACTIONS: .XX ±.01 ±.005 DECIMALS: .XXX ±.005 ANGLES: MATERIAL: SEE NOTES FINISH: SEE NOTES DO NOT SCALE DRAWING	APPROVALS	DATE	 Mackie Designs Inc. Woodinville, Wa. SCHEMATIC, CR1604 VLZ MAIN BOARD, AUX RTNS
	DRAWN: KR	10-12-98	
	CHECKED:		
	NP ENG:		
	MATERIAL:		SIZE SCALE: D NONE
	MFG:		DWG. NO. 990-220-00
	MFG ENG:		REV. A
	ISSUED:		DWG FILE: SHEET 17 OF 22



UNLESS OTHERWISE SPECIFIED DIMENSIONS ARE IN INCHES FRACTIONS: DECIMALS: ANGLES: ±NA .XX ±.01 ±MA .XXX ±.005	APPROVALS	DATE	<p>Mackie Designs Inc. Woodinville, Wa.</p>	
	DRAWN: KR	10-12-98		
	CHECKED:			
	NP ENG:			
MATERIAL:	MATERIAL:		SCHEMATIC, CR1604 VLZ MAIN BOARD, AUX SENDS	
SEE NOTES	MFG:			
SEE NOTES	MFG ENG:			
DO NOT SCALE DRAWING	ISSUED:			
	SIZE: D	SCALE: NONE	DWG. NO. 990-220-00	REV. A
	DWG FILE:			SHEET 18 OF 22

220-4 MAIN BOARD 220 REV A



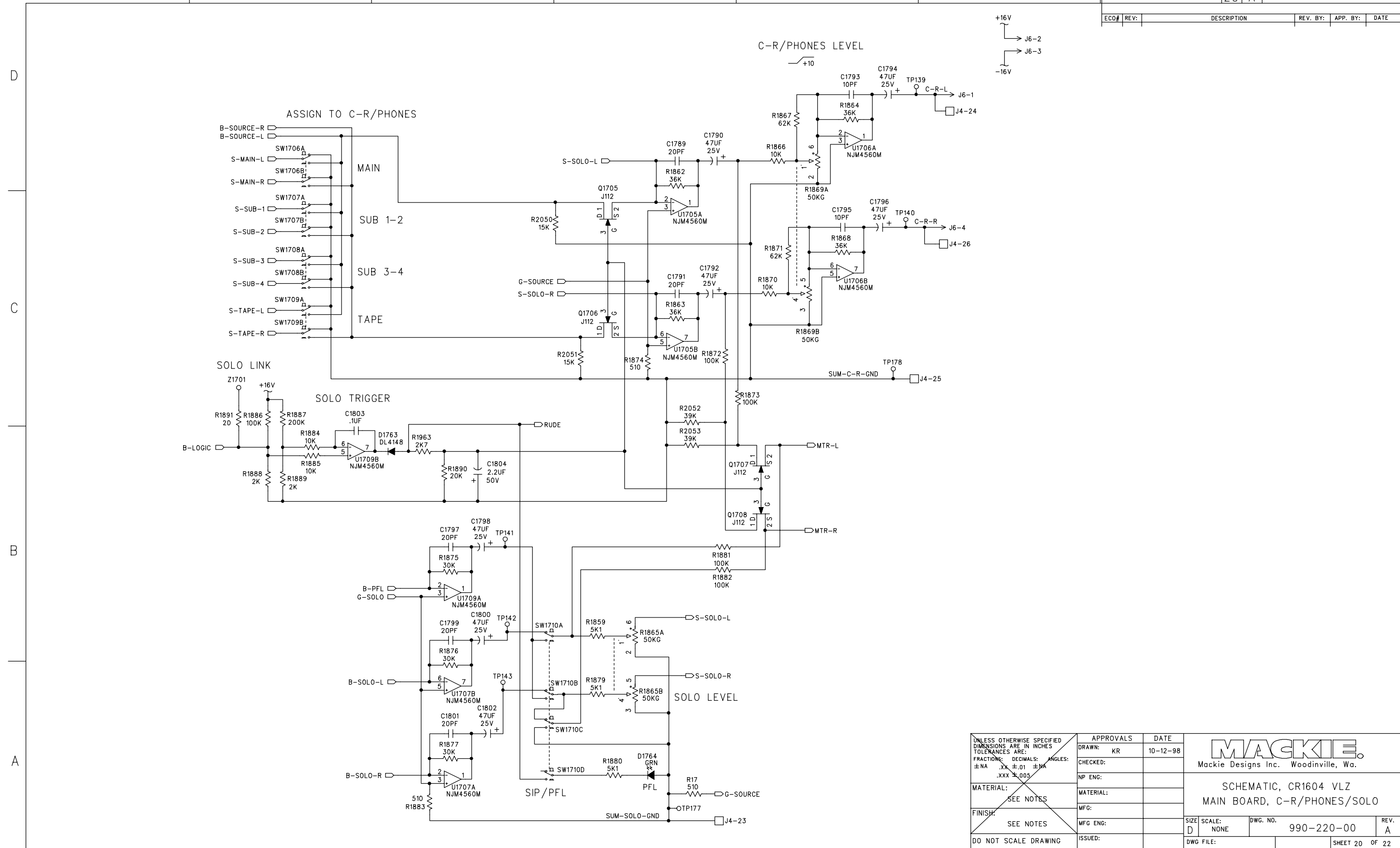
UNLESS OTHERWISE SPECIFIED DIMENSIONS ARE IN INCHES TOLERANCES ARE: FRACTIONS: DECIMALS: ANGLES: ±.NA .XX ±.01 ±.NA .XXX ±.005	APPROVALS	DATE
	DRAWN: KR	10-12-98
	CHECKED:	
	NP ENG:	
MATERIAL:	MATERIAL:	
SEE NOTES	MFG:	
SEE NOTES	MFG ENG:	
DO NOT SCALE DRAWING	ISSUED:	

MACKIE
Mackie Designs Inc. Woodinville, Wa.

SCHEMATIC, CR1604 VLZ
MAIN BOARD, MAIN/TAPE/SUBS

SIZE	SCALE:	DWG. NO.	REV.
D	NONE	990-220-00	A
DWG FILE:	SHEET 19 OF 22		

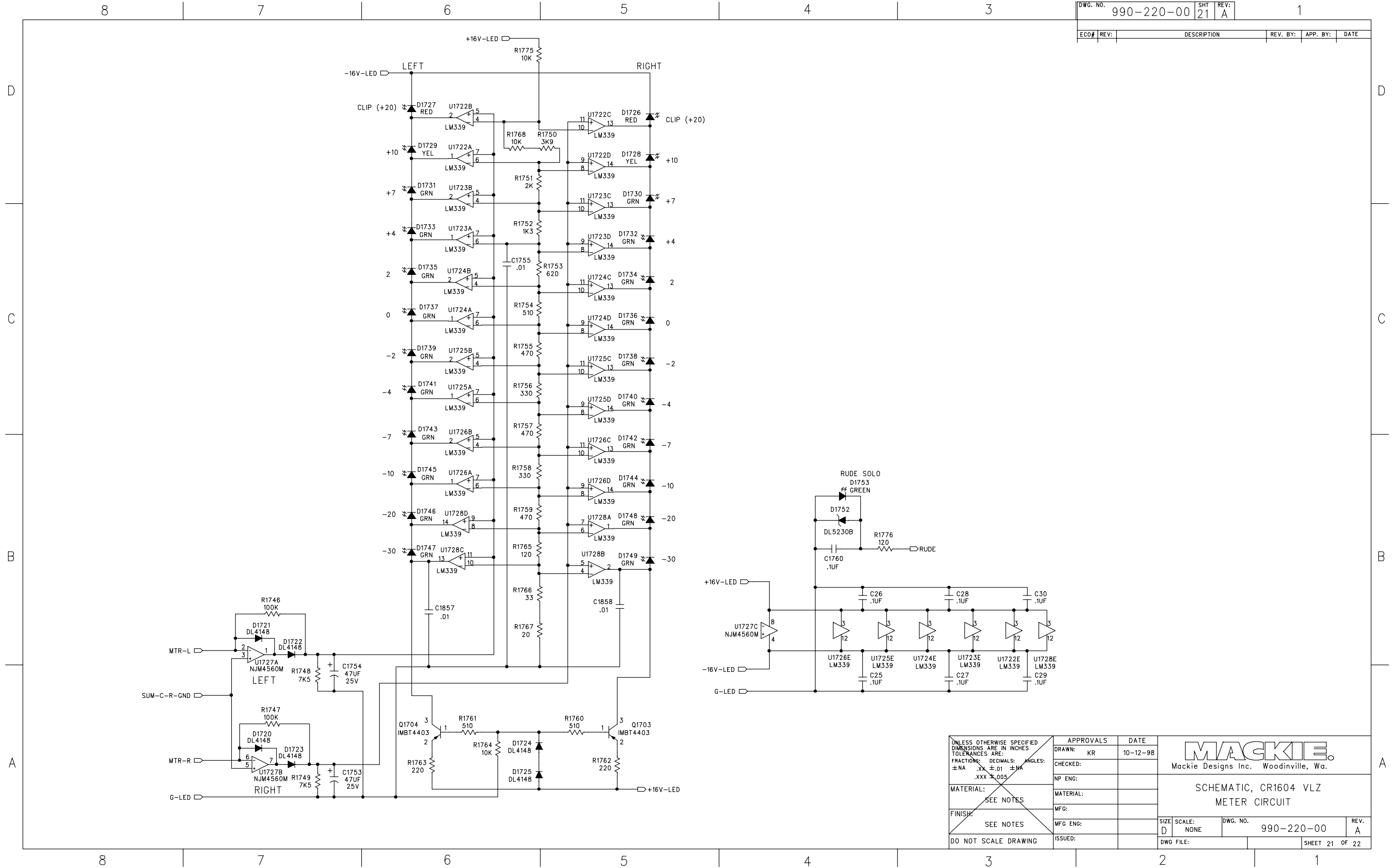
ECO#	REV:	DESCRIPTION	REV. BY:	APP. BY:	DATE



UNLESS OTHERWISE SPECIFIED DIMENSIONS ARE IN INCHES TOLERANCES ARE:	APPROVALS		DATE
	DRAWN:		
FRACTIONS: DECIMALS: ANGLES: ±NA .XX ±.01 ±MA .XXX ±.005	KR		10-12-98
MATERIAL: SEE NOTES	CHECKED:		
	NP ENG:		
FINISH: SEE NOTES	MATERIAL:		
	MFG:		
DO NOT SCALE DRAWING	MFG ENG:		
	ISSUED:		

Mackie Designs Inc. Woodinville, Wa.		SCHEMATIC, CR1604 VLZ MAIN BOARD, C-R/PHONES/SOLO	
		SIZE: D SCALE: NONE DWG. NO.: 990-220-00 REV: A	SHEET 20 OF 22

220-6 MAIN BOARD 220 REV A

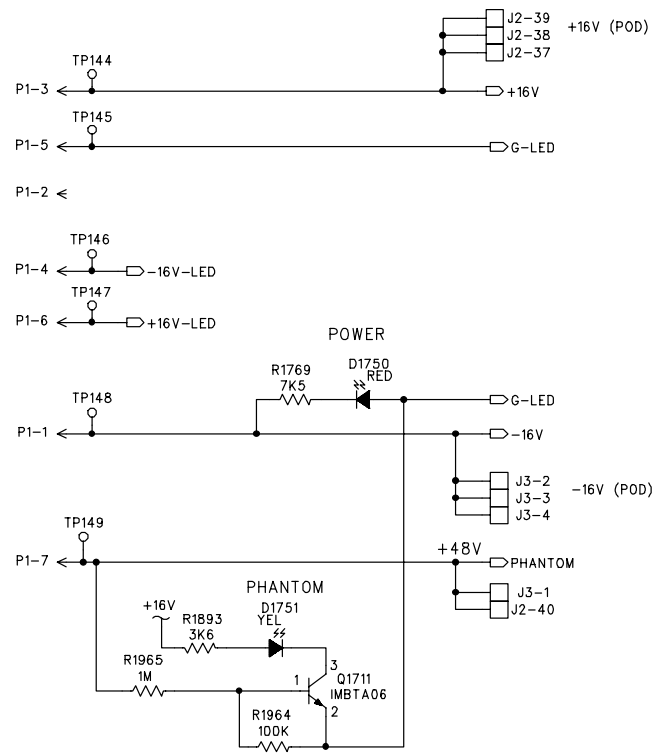


UNLESS OTHERWISE SPECIFIED DIMENSIONS ARE IN INCHES TOLERANCES ARE: FRACTIONS: DECIMALS: ANGLES: ±.NA .XX ±.01 ±.NA .XXX ±.005	APPROVALS	DATE	MACKIE Mackie Designs Inc. Woodinville, Wa.		
	DRAWN: KR	10-12-98			
	CHECKED:				
	NP ENG:				
MATERIAL:	MATERIAL:	SCHEMATIC, CR1604 VLZ METER CIRCUIT			
FINISH:	MFG:				
DO NOT SCALE DRAWING	ISSUED:	SIZE: D	SCALE: NONE	DWG. NO. 990-220-00	REV. A
		DWG FILE:	SHEET 21 OF 22		

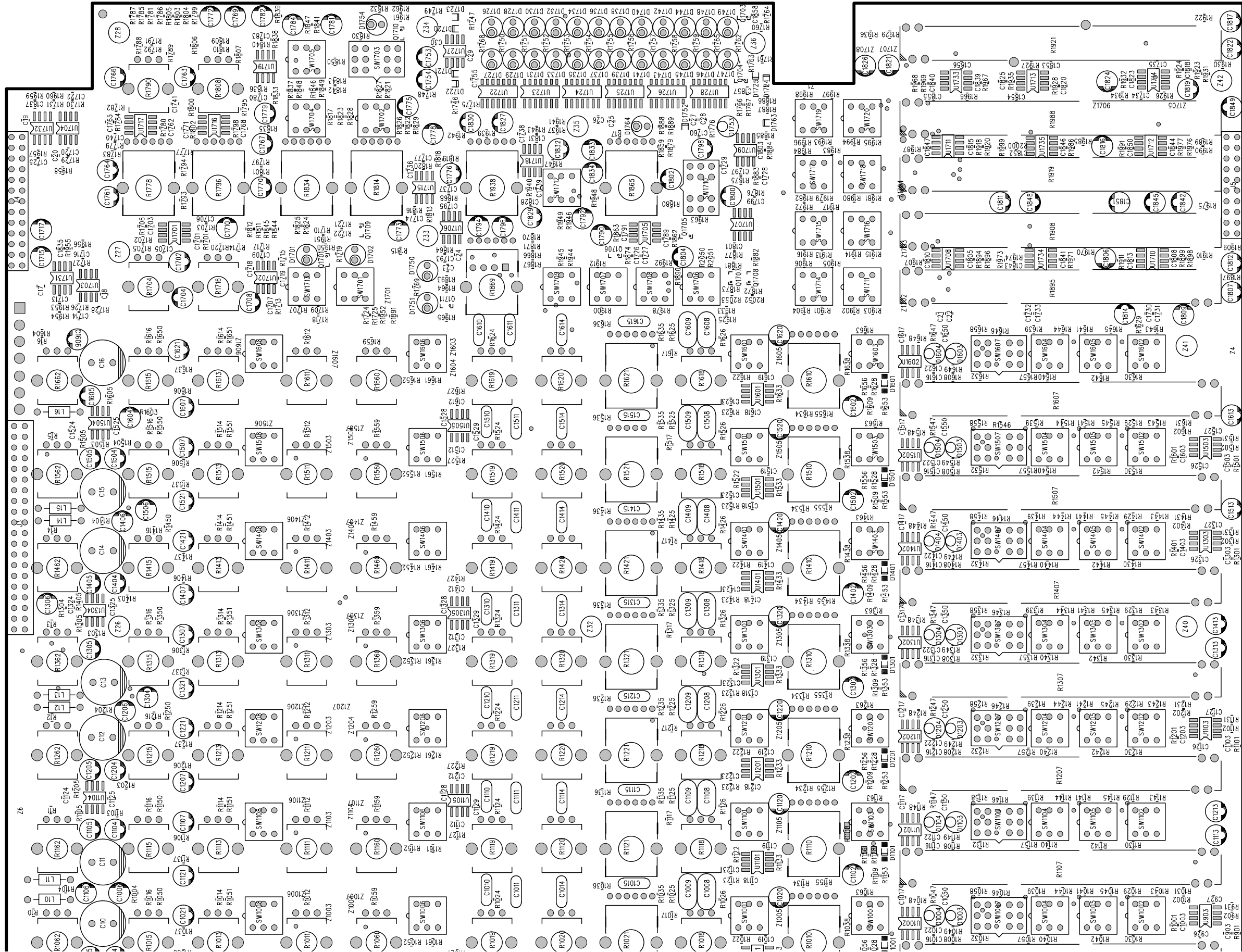
ECO#	REV:	DESCRIPTION	REV. BY:	APP. BY:	DATE
------	------	-------------	----------	----------	------

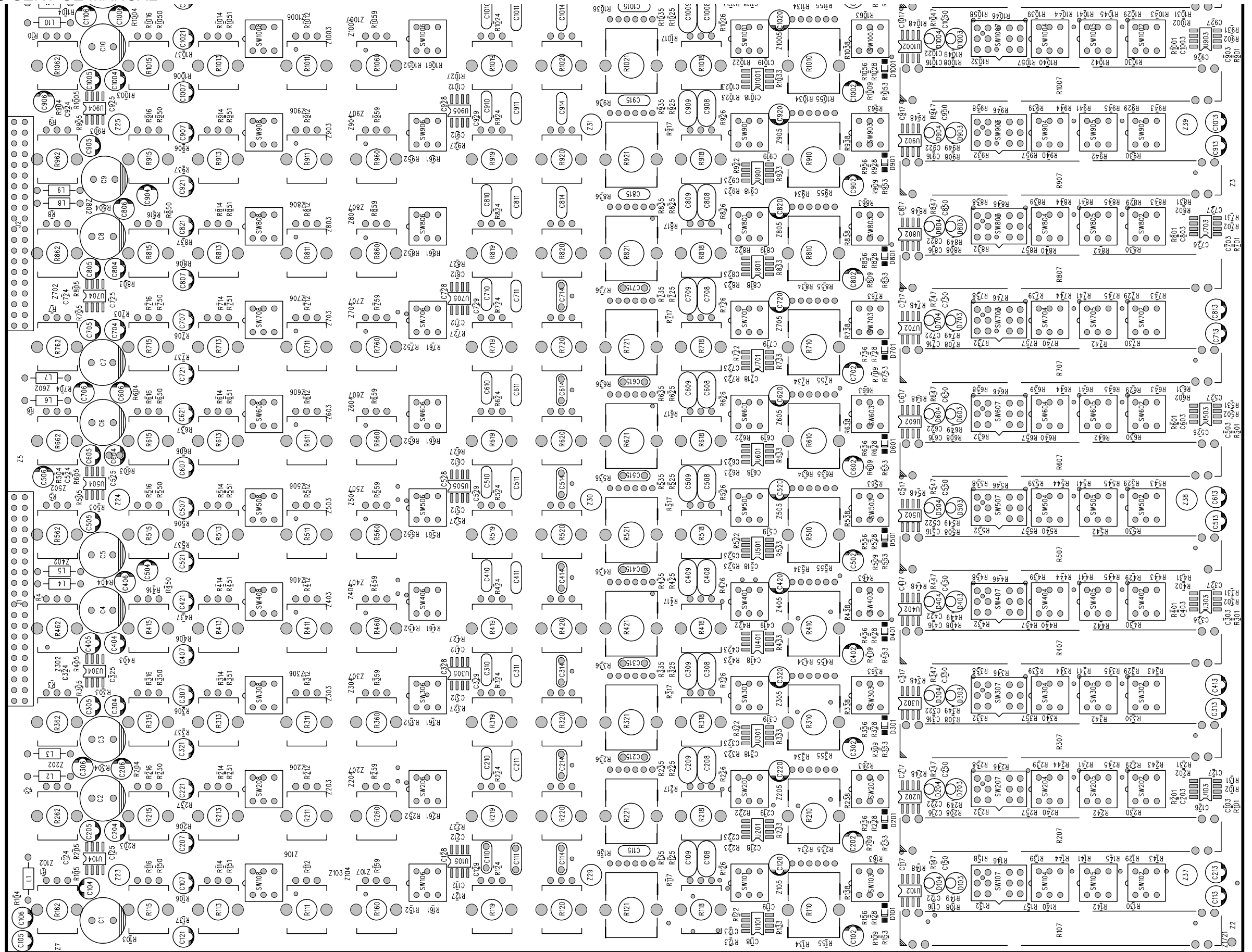
QUANTITY

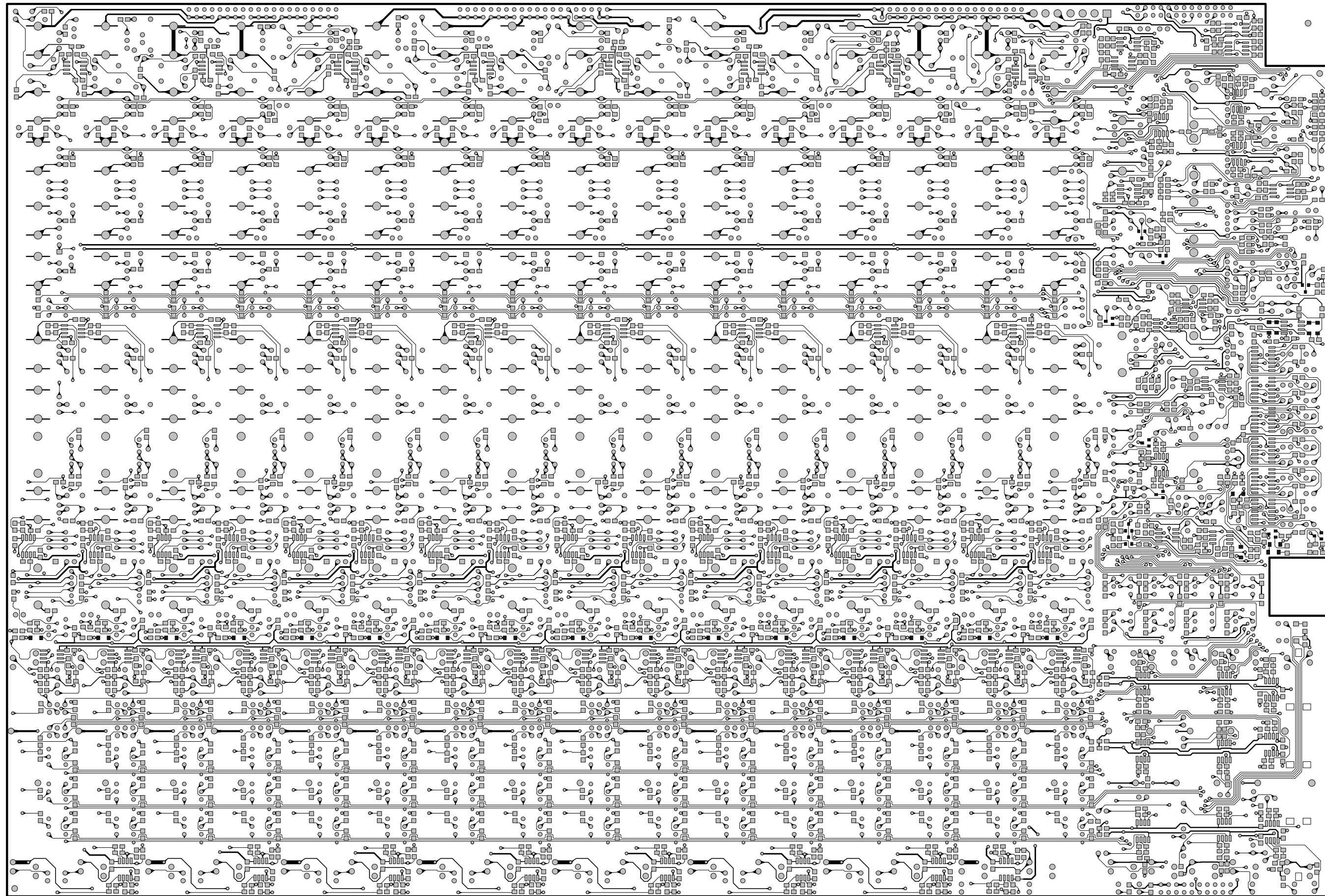
- 20 706-033-02
STDF SWAGE NO.4 X .555L F
- 132 760-107-00
BTN 2 COLOR 9X5MM
- 16 760-108-00
BTN 2 COLOR 9X9MM
- 1 706-009-00
SPACER, NYLON, LED .385
- 1 620-023-00
FLAT CBL 4 PIN 3.5"
- 1 450-220-00
PCB, 1604 VLZ-MAIN

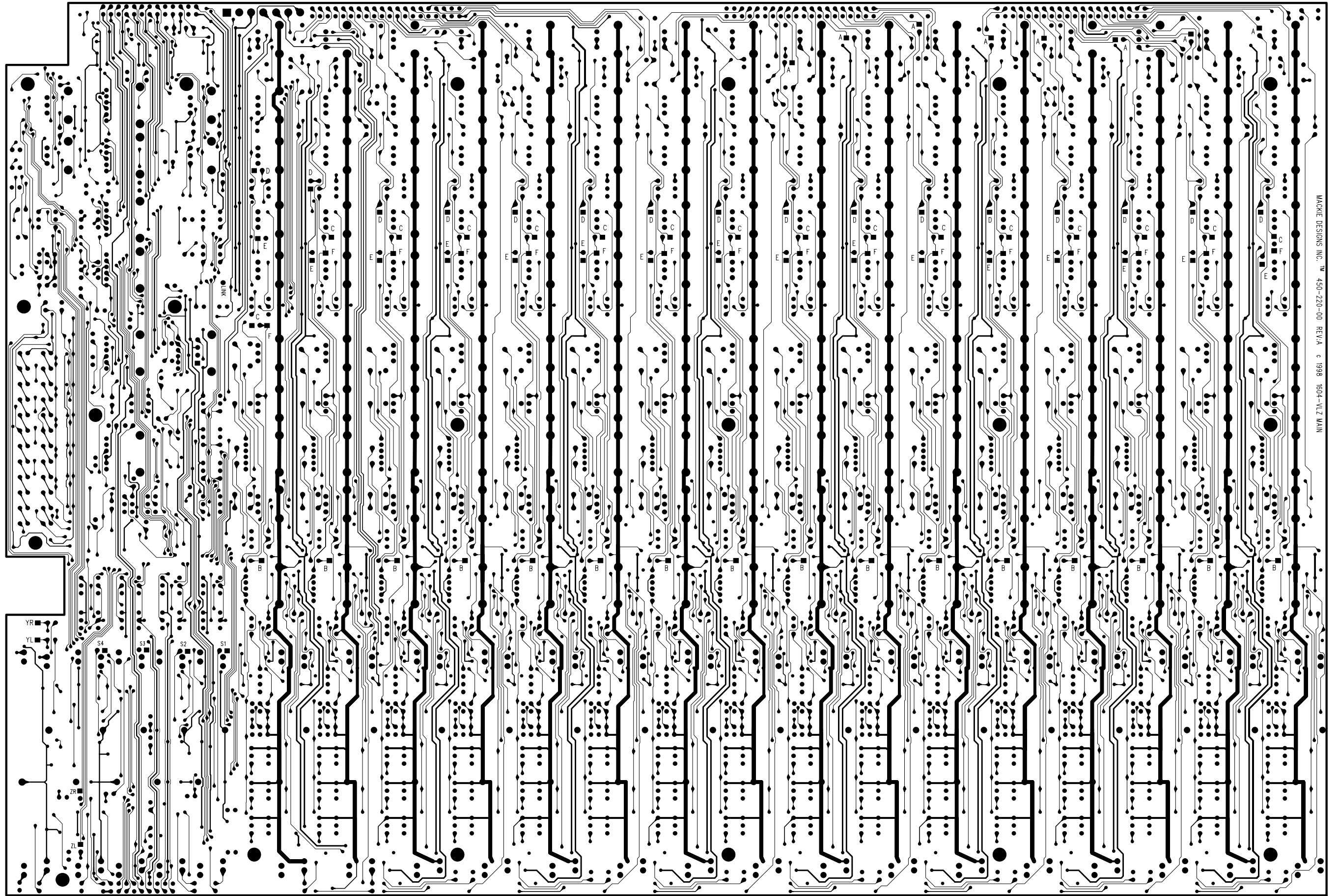


UNLESS OTHERWISE SPECIFIED DIMENSIONS ARE IN INCHES TOLERANCES ARE: FRACTIONS: DECIMALS: ANGLES: ±NA .XX ±.01 ±MA .XXX ±.005	APPROVALS	DATE	MACKIE. Mackie Designs Inc. Woodinville, Wa.			
	DRAWN: KR	10-12-98				
	CHECKED:					
	NP ENG:					
MATERIAL:	MATERIAL:		SCHEMATIC, CR1604 VLZ POWER SUPPLY			
SEE NOTES	MFG:					
FINISH:	MFG ENG:		SIZE	SCALE:	DWG. NO.	REV.
DO NOT SCALE DRAWING	ISSUED:		D	NONE	990-220-00	A
			DWG FILE:			SHEET 22 OF 22

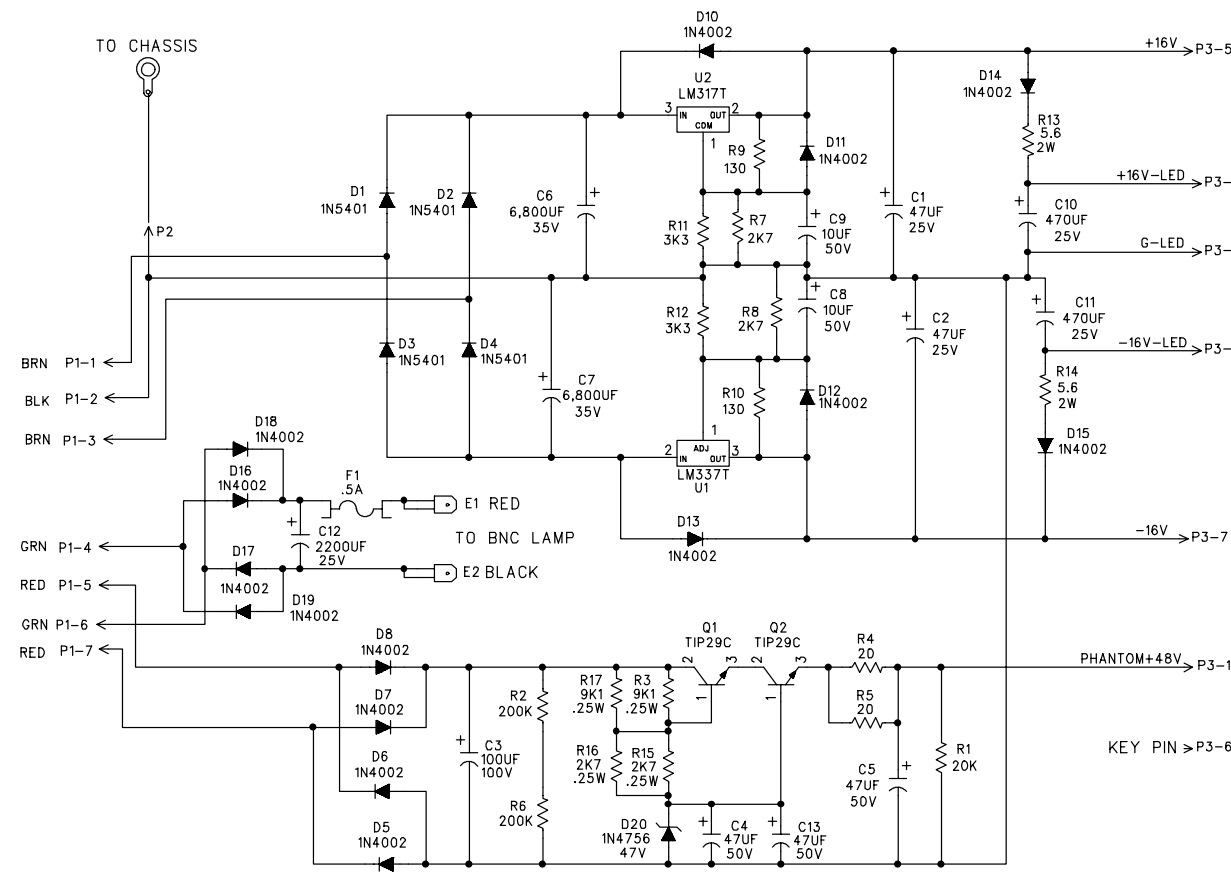
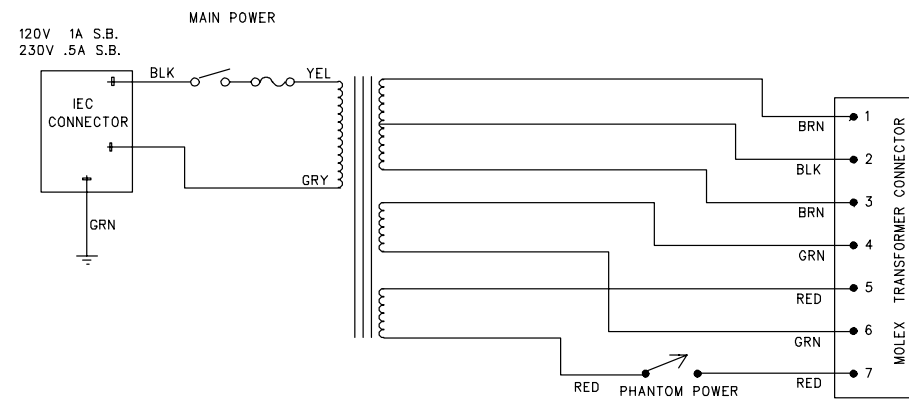








MACKIE DESIGNS INC.™ 450-220-00 REV A © 1998 1604-VLZ MAIN



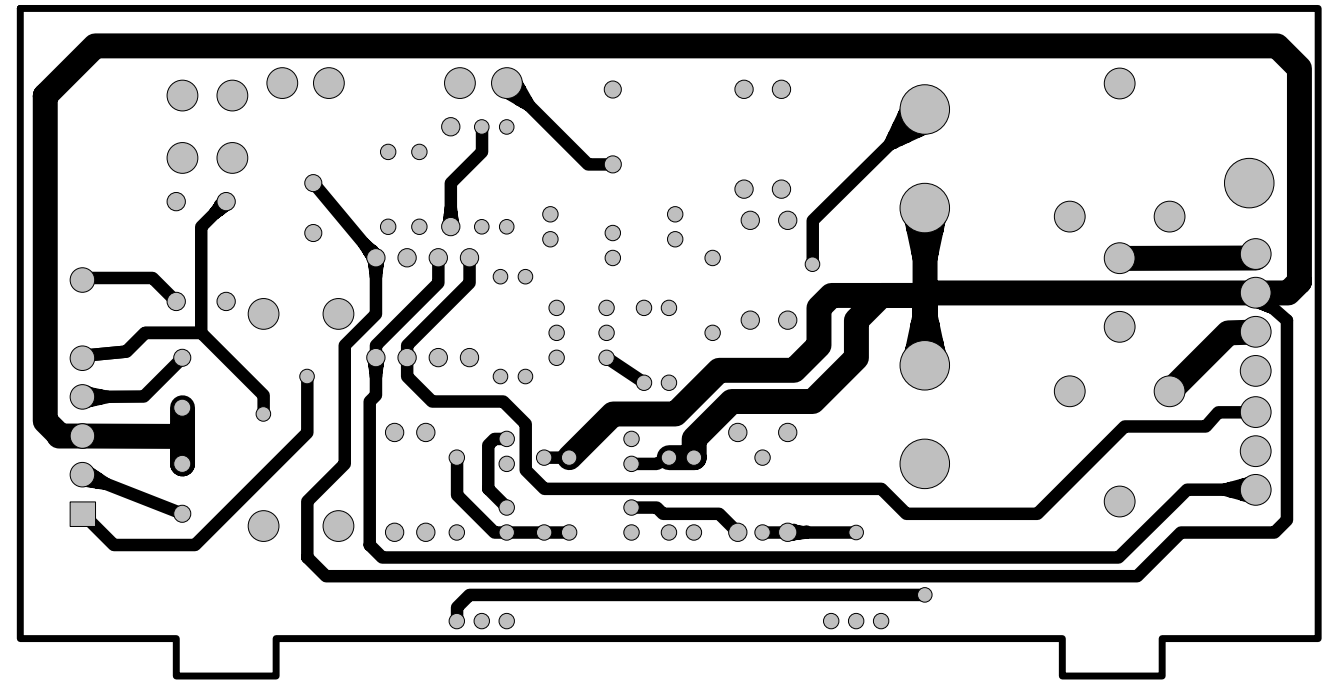
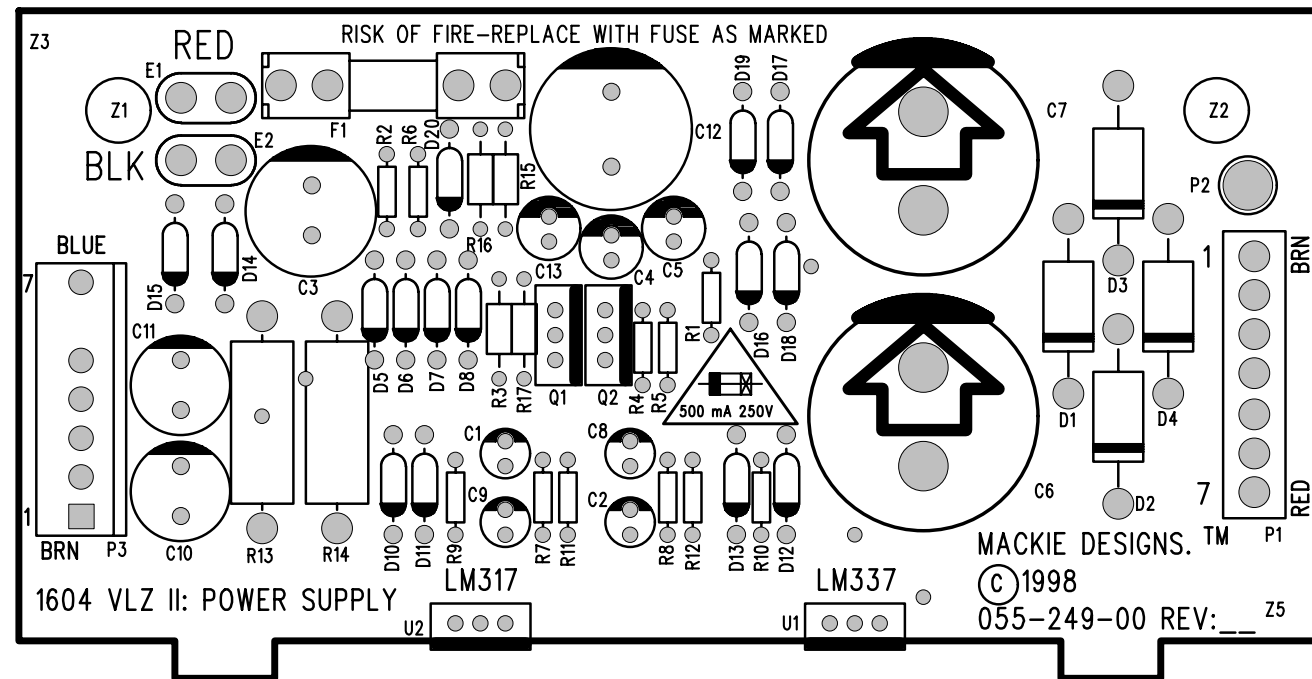
- 400-060-00 FUSE CLIP PCMT
- 400-060-00 FUSE CLIP PCMT
- 450-249-00 PCB, 1604 VLZ II POWER SUPPLY
- 706-008-00 STANDOFF, SWAGE 4-40 X .34
- 706-008-00 STANDOFF, SWAGE 4-40 X .34

UNLESS OTHERWISE SPECIFIED DIMENSIONS ARE IN INCHES TOLERANCES ARE: FRACTIONS: DECIMALS: ANGLES: ±.NA .XX ±.01 ±.NA .XXX ±.005	APPROVALS	DATE
	DRAWN: KR	11-30-98
	CHECKED:	
	NP ENG:	
MATERIAL:	MATERIAL:	
FINISH:	MFG:	
DO NOT SCALE DRAWING	MFG ENG:	
	ISSUED:	

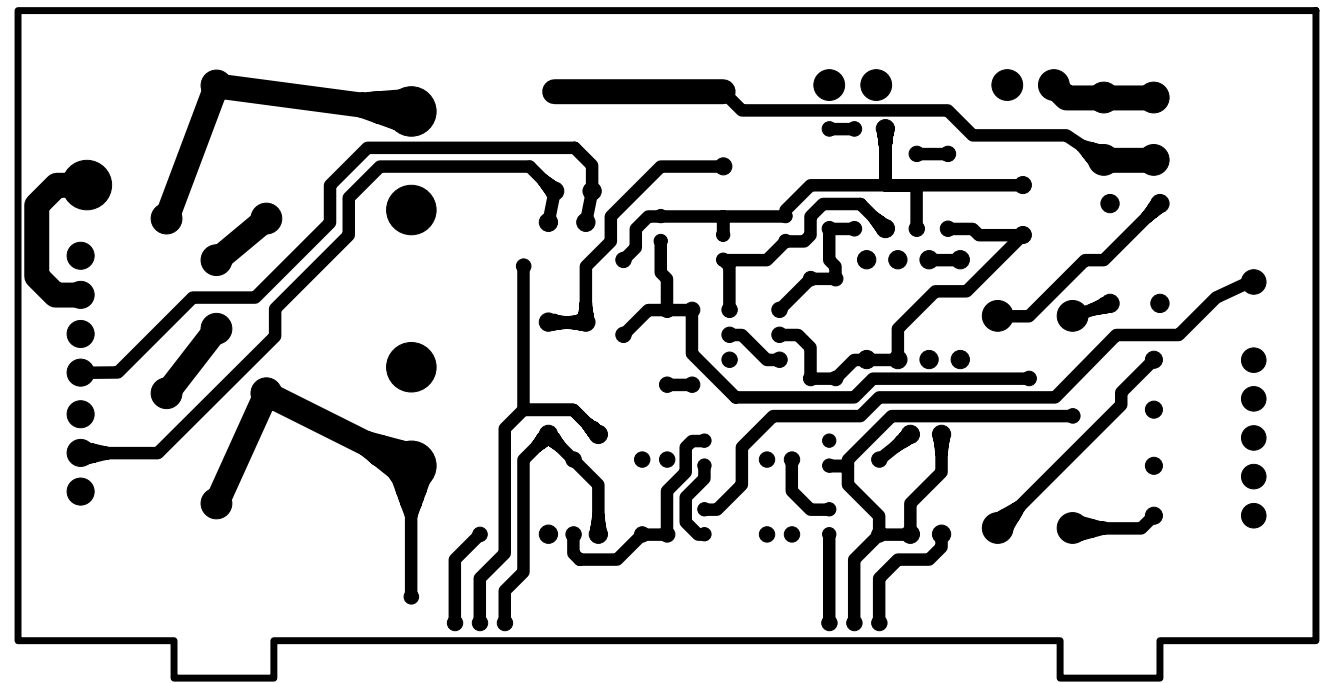
MACKIE.
Mackie Designs Inc. Woodinville, Wa.

SCHEMATIC, CR1604 VLZ II POWER SUPPLY

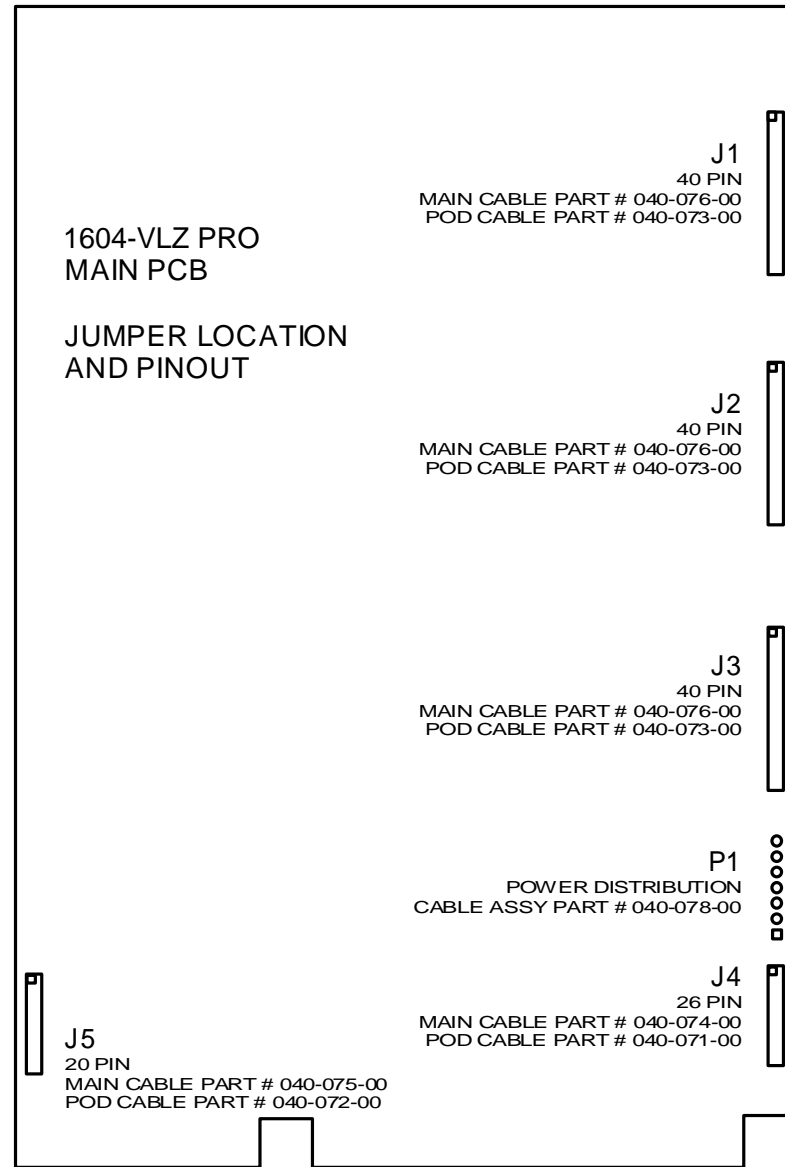
SIZE	SCALE:	DWG. NO.	REV.
D	NONE	990-249-00	A
DWG FILE:		SHEET 1 OF 1	



Top Traces



Bottom Traces



J1

CHANNEL 1 GND	1	2	CHANNEL 1 TRIM A
CHANNEL 1 GND	3	4	CHANNEL 1 TRIM B
CHANNEL 1 GND	5	6	CHANNEL 1 IN
CHANNEL 1 GND	7	8	CHANNEL 1 DI OUT
CHANNEL 2 GND	9	10	CHANNEL 2 TRIM A
CHANNEL 2 GND	11	12	CHANNEL 2 TRIM B
CHANNEL 2 GND	13	14	CHANNEL 2 IN
CHANNEL 2 GND	15	16	CHANNEL 2 DI OUT
CHANNEL 3 GND	17	18	CHANNEL 3 TRIM A
CHANNEL 3 GND	19	20	CHANNEL 3 TRIM B
CHANNEL 3 GND	21	22	CHANNEL 3 IN
CHANNEL 3 GND	23	24	CHANNEL 3 DI OUT
CHANNEL 4 GND	25	26	CHANNEL 4 TRIM A
CHANNEL 4 GND	27	28	CHANNEL 4 TRIM B
CHANNEL 4 GND	29	30	CHANNEL 4 IN
CHANNEL 4 GND	31	32	CHANNEL 4 DI OUT
CHANNEL 5 GND	33	34	CHANNEL 5 TRIM A
CHANNEL 5 GND	35	36	CHANNEL 5 TRIM B
CHANNEL 5 GND	37	38	CHANNEL 5 IN
CHANNEL 5 GND	39	40	CHANNEL 5 DI OUT

J2

CHANNEL 6 GND	1	2	CHANNEL 6 TRIM A
CHANNEL 6 GND	3	4	CHANNEL 6 TRIM B
CHANNEL 6 GND	5	6	CHANNEL 6 IN
CHANNEL 6 GND	7	8	CHANNEL 6 DI OUT
CHANNEL 7 GND	9	10	CHANNEL 7 TRIM A
CHANNEL 7 GND	11	12	CHANNEL 7 TRIM B
CHANNEL 7 GND	13	14	CHANNEL 7 IN
CHANNEL 7 GND	15	16	CHANNEL 7 DI OUT
CHANNEL 8 GND	17	18	CHANNEL 8 TRIM A
CHANNEL 8 GND	19	20	CHANNEL 8 TRIM B
CHANNEL 8 GND	21	22	CHANNEL 8 IN
CHANNEL 8 GND	23	24	CHANNEL 8 DI OUT
CHANNEL 9 GND	25	26	CHANNEL 9 TRIM A
CHANNEL 9 GND	27	28	CHANNEL 9 TRIM B
CHANNEL 9 GND	29	30	CHANNEL 9 IN
CHANNEL 10 GND	31	32	CHANNEL 10 TRIM A
CHANNEL 10 GND	33	34	CHANNEL 10 TRIM B
CHANNEL 10 GND	35	36	CHANNEL 10 IN
+16 V	37	38	+16 V
+16 V	39	40	+48V PHANTOM PWR

J5

SUB 1 OUT	1	2	SUB 1 GND
SUB 2 OUT	3	4	SUB 2 OUT
SUB 3 OUT	5	6	SUB 3 GND
SUB 4 OUT	7	8	SUB 4 GND
TAPE IN LEFT	9	10	TAPE IN RIGHT
TAPE IN GND	11	12	LEFT MAIN INS SEND
LEFT MAIN INS RETURN	13	14	INSERT GND
RIGHT MAIN INS RTN	15	16	RIGHT MAIN INS SEND
MAIN L GND	17	18	MAIN L TO POD
MAIN R GND	19	20	MAIN R TO POD

P1

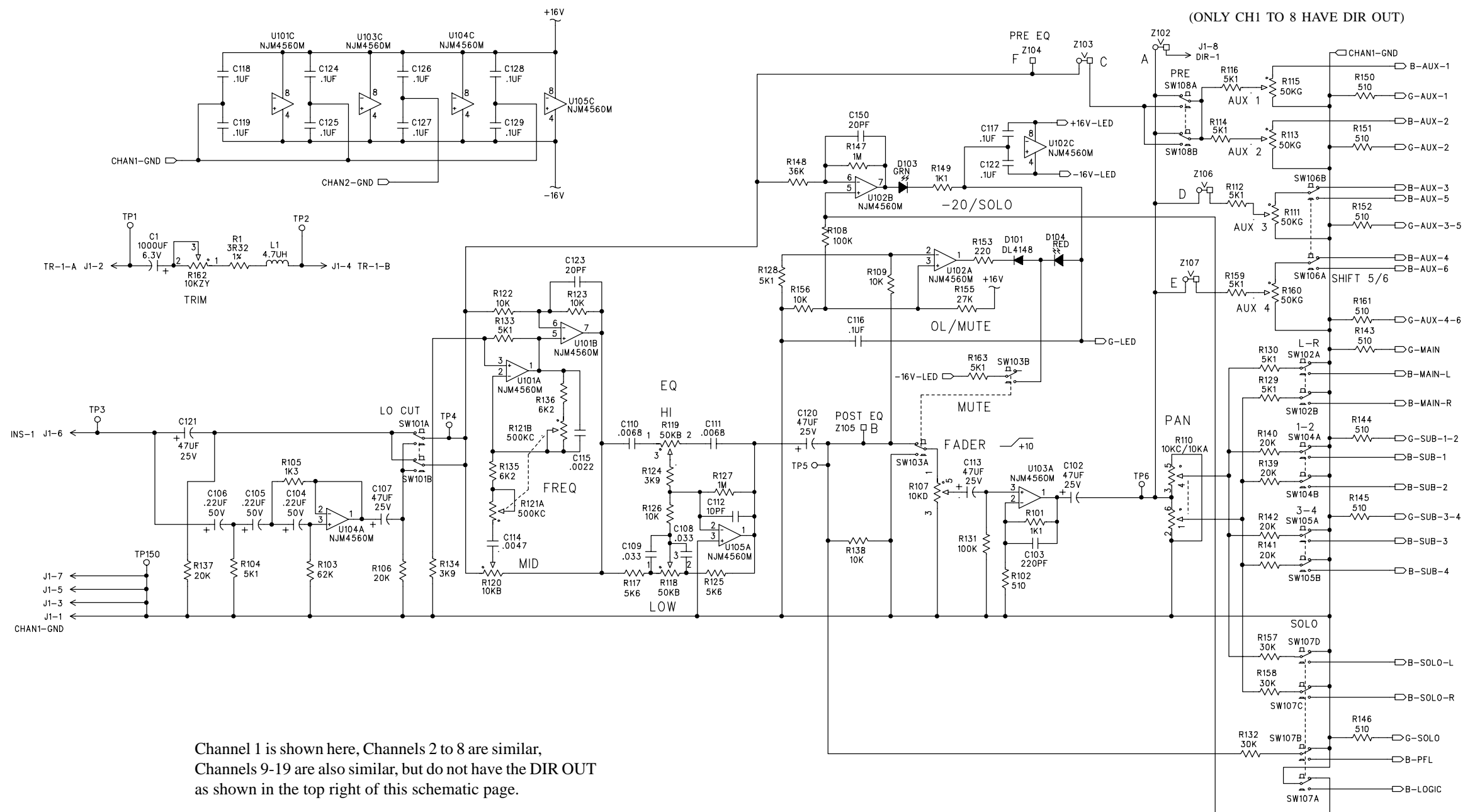
7	+48V PHANTOM
6	+16V LED
5	GND LED
4	-16V LED
3	+16V
2	GND
1	-16V

J4

AUX 1 SEND GND	1	2	AUX 1 SEND
AUX 2 SEND GND	3	4	AUX 2 SEND
AUX 3/5 SEND GND	5	6	AUX 3 SEND
AUX 5 SEND	7	8	AUX 4/6 SEND GND
AUX 4 SEND	9	10	AUX 6 SEND
AUX RETURN 1 GND	11	12	AUX RETURN 1 LEFT
AUX RETURN 1 RIGHT	13	14	AUX RETURN 2 GND
AUX RETURN 2 LEFT	15	16	AUX RETURN 2 RIGHT
AUX RETURN 3 GND	17	18	AUX RETURN 3 LEFT
AUX RETURN 3 RIGHT	19	20	AUX RETURN 4 GND
AUX RETURN 4 LEFT	21	22	AUX RETURN 4 RIGHT
CONTROL ROOM GND	23	24	CONTROL ROOM LEFT
CONTROL ROOM GND	25	26	CONTROL ROOM RIGHT

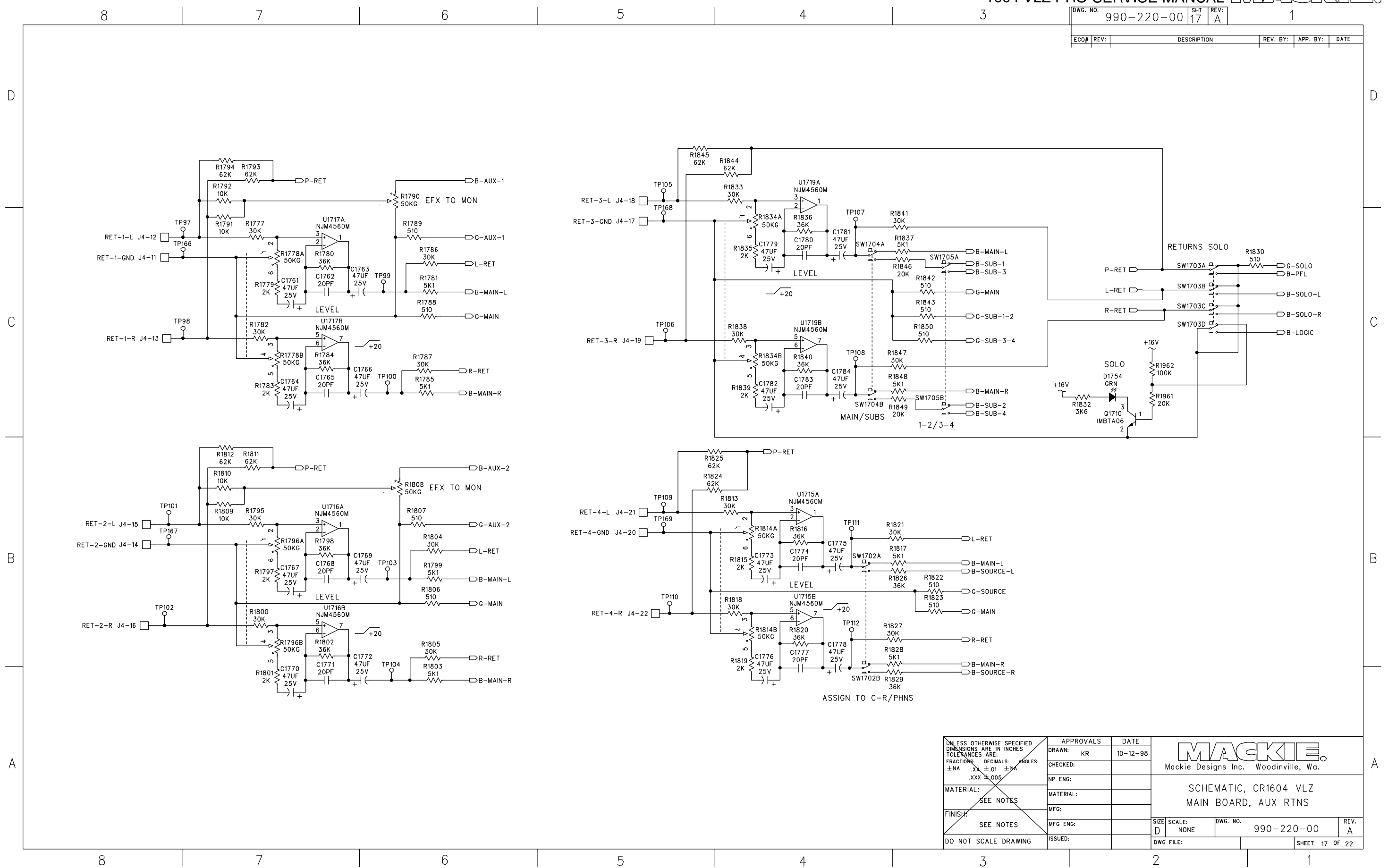
J3

+48V PHANTOM PWR	1	2	-16V
-16V	3	4	-16V
CHANNEL 11 GND	5	6	CHANNEL 11 TRIM A
CHANNEL 11 GND	7	8	CHANNEL 11 TRIM B
CHANNEL 11 GND	9	10	CHANNEL 11 IN
CHANNEL 12 GND	11	12	CHANNEL 12 TRIM A
CHANNEL 12 GND	13	14	CHANNEL 12 TRIM B
CHANNEL 12 GND	15	16	CHANNEL 12 IN
CHANNEL 13 GND	17	18	CHANNEL 13 TRIM A
CHANNEL 13 GND	19	20	CHANNEL 13 TRIM B
CHANNEL 13 GND	21	22	CHANNEL 13 IN
CHANNEL 14 GND	23	24	CHANNEL 14 TRIM A
CHANNEL 14 GND	25	26	CHANNEL 14 TRIM B
CHANNEL 14 GND	27	28	CHANNEL 14 IN
CHANNEL 15 GND	29	30	CHANNEL 15 TRIM A
CHANNEL 15 GND	31	32	CHANNEL 15 TRIM B
CHANNEL 15 GND	33	34	CHANNEL 15 IN
CHANNEL 16 GND	35	36	CHANNEL 16 TRIM A
CHANNEL 16 GND	37	38	CHANNEL 16 TRIM B
CHANNEL 16 GND	39	40	CHANNEL 16 IN



Channel 1 is shown here, Channels 2 to 8 are similar, Channels 9-19 are also similar, but do not have the DIR OUT as shown in the top right of this schematic page.

UNLESS OTHERWISE SPECIFIED DIMENSIONS ARE IN INCHES TOLERANCES ARE: FRACTIONS: DECIMALS: ANGLES: ±NA .XX ±.01 ±NA .XXX ±.005	APPROVALS	DATE	Mackie Designs Inc. Woodinville, Wa.
	DRAWN: KR	10-12-98	
	CHECKED:		
	NP ENG:		
MATERIAL:	MATERIAL:		SCHEMATIC, CR1604 VLZ MAIN BOARD, CHANNEL 1
SEE NOTES	MFG:		
SEE NOTES	MFG ENG:		
DO NOT SCALE DRAWING	ISSUED:		SIZE: D SCALE: NONE DWG. NO. 990-220-00 REV. A DWG FILE: SHEET 1 OF 22

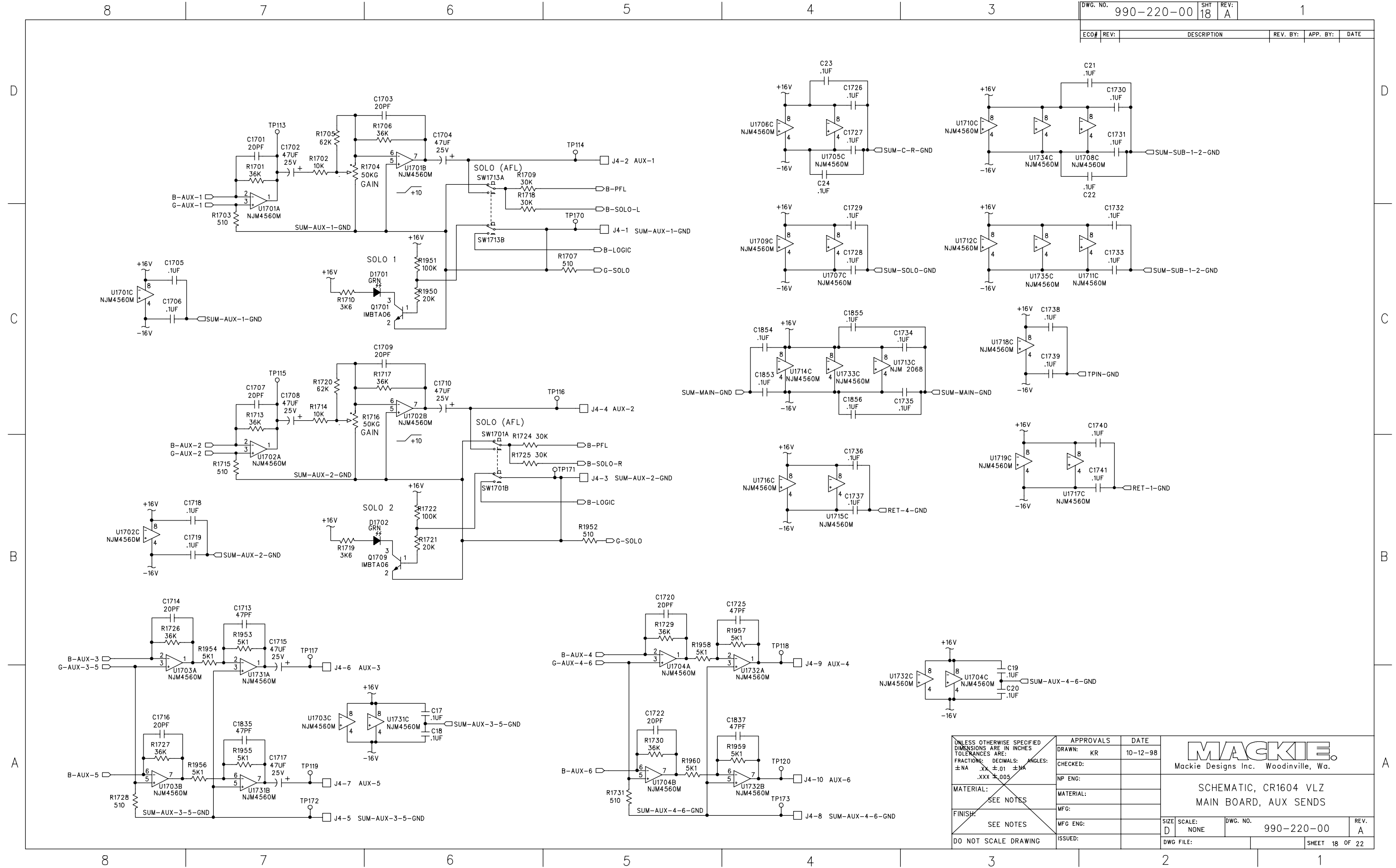


UNLESS OTHERWISE SPECIFIED DIMENSIONS ARE IN INCHES TOLERANCES ARE: FRACTIONS: .XX ±.01 ±.005 DECIMALS: .XXX ±.005 ANGLES: MATERIAL: FINISH: DO NOT SCALE DRAWING	APPROVALS	DATE
	DRAWN: KR	10-12-98
	CHECKED:	
	NP ENG:	
	MATERIAL:	
	MFG:	
	MFG ENG:	
	ISSUED:	

MACKIE
Mackie Designs Inc. Woodinville, Wa.

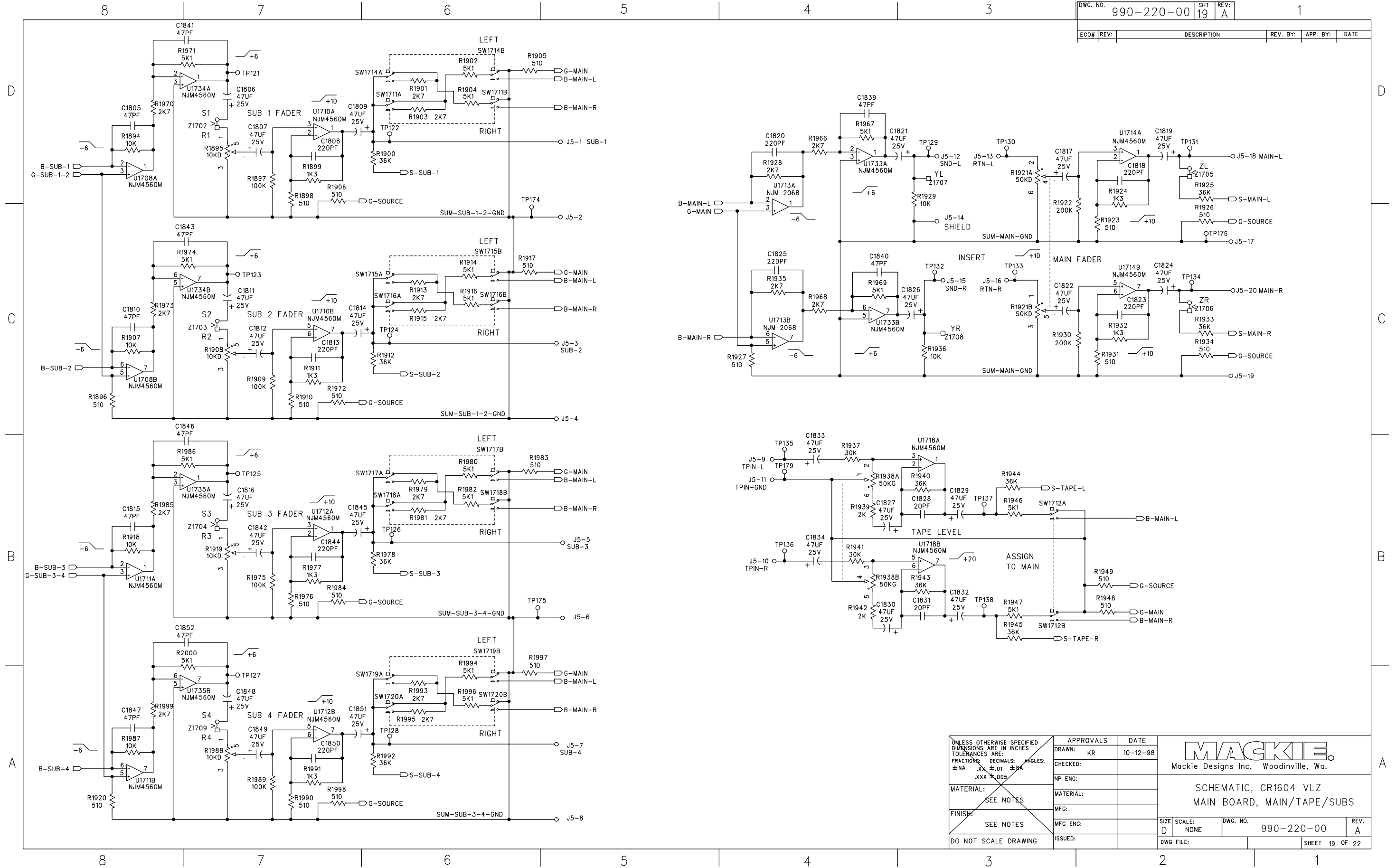
SCHEMATIC, CR1604 VLZ
MAIN BOARD, AUX RTNS

SIZE: D	SCALE: NONE	DWG. NO. 990-220-00	REV. A
DWG FILE:		SHEET 17 OF 22	



UNLESS OTHERWISE SPECIFIED DIMENSIONS ARE IN INCHES FRACTIONS: DECIMALS: ANGLES: ±NA .XX ±.01 ±MA .XXX ±.005	APPROVALS	DATE	<p>Mackie Designs Inc. Woodinville, Wa.</p>	
	DRAWN: KR	10-12-98		
	CHECKED:			
	NP ENG:			
MATERIAL:	MATERIAL:		SCHEMATIC, CR1604 VLZ MAIN BOARD, AUX SENDS	
SEE NOTES	MFG:			
SEE NOTES	MFG ENG:			
DO NOT SCALE DRAWING	ISSUED:			
	SIZE: D	SCALE: NONE	DWG. NO. 990-220-00	REV. A
	DWG FILE:			SHEET 18 OF 22

220-4 MAIN BOARD 220 REV A

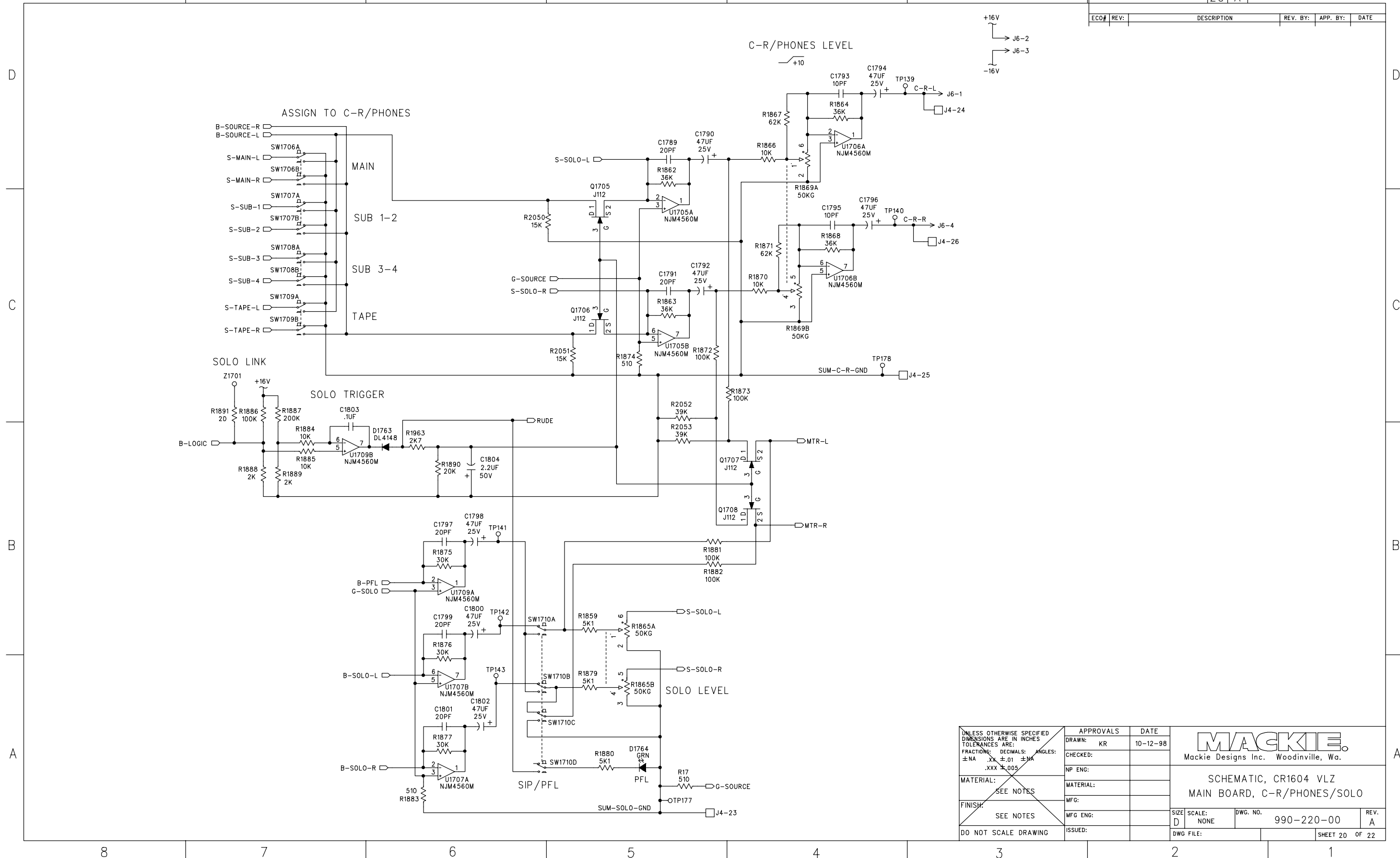


UNLESS OTHERWISE SPECIFIED DIMENSIONS ARE IN INCHES TOLERANCES ARE: FRACTIONS: DECIMALS: ANGLES: ±.NA .XX ±.01 ±.NA .XXX ±.005	APPROVALS	DATE
	CHECKED: KR	10-12-98
	NP ENG:	
	MATERIAL:	
FINISH: SEE NOTES	MFG:	
DO NOT SCALE DRAWING	MFG ENG:	
	ISSUED:	

MACKIE
Mackie Designs Inc. Woodinville, Wa.

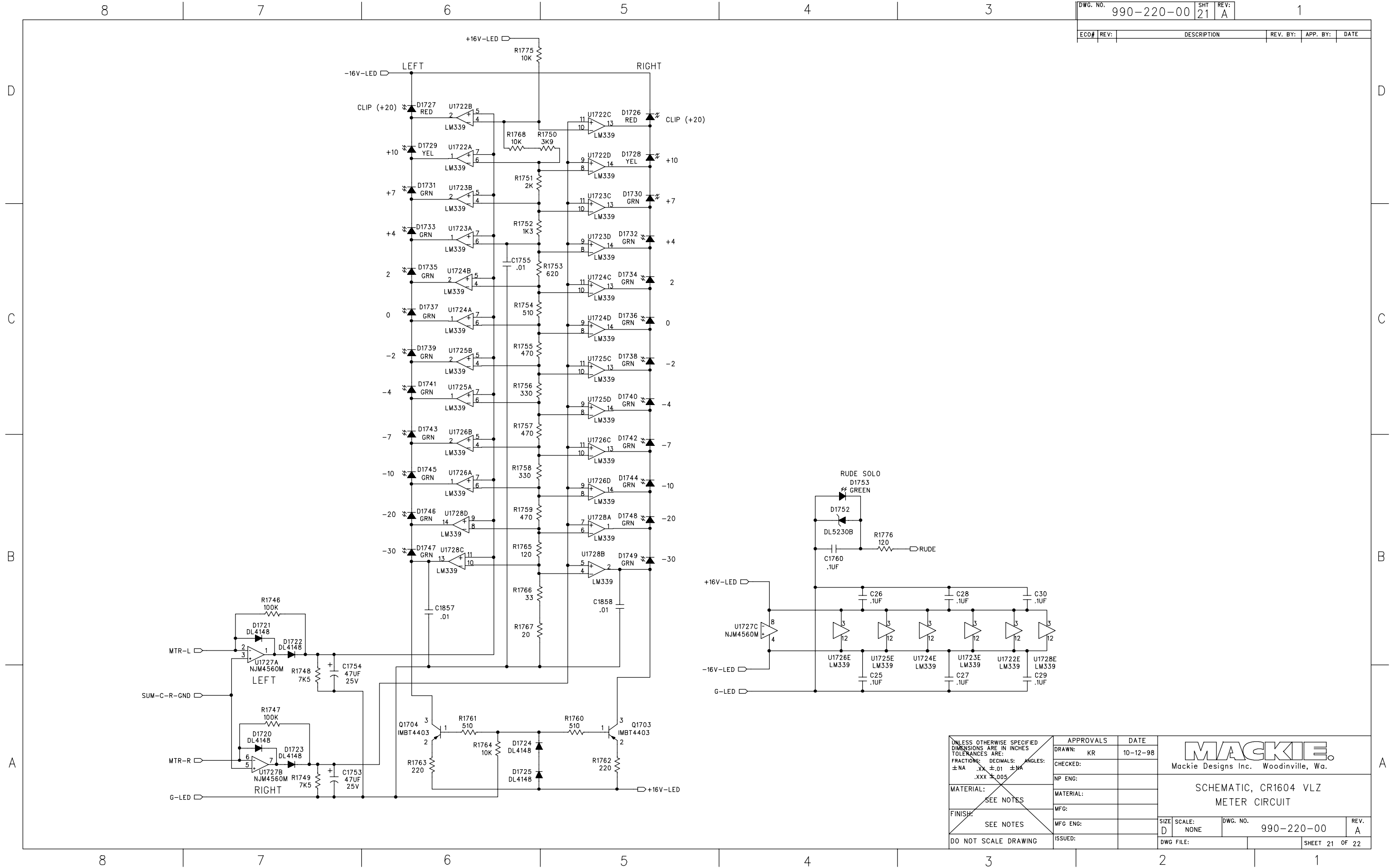
SCHEMATIC, CR1604 VLZ
MAIN BOARD, MAIN/TAPE/SUBS

SIZE	SCALE: NONE	DWG. NO.	990-220-00	REV.	A
DWG. FILE:				SHEET	19 OF 22



UNLESS OTHERWISE SPECIFIED DIMENSIONS ARE IN INCHES. FRACTIONS: DECIMALS: ANGLES: ±NA .XX ±.01 ±MA .XXX ±.005	APPROVALS	DATE	<p>Mackie Designs Inc. Woodinville, Wa.</p> <p>SCHMATIC, CR1604 VLZ MAIN BOARD, C-R/PHONES/SOLO</p>		
	DRAWN: KR	10-12-98			
	CHECKED:				
	NP ENG:				
MATERIAL:	MATERIAL:	SIZE	SCALE: NONE	DWG. NO. 990-220-00	REV. A
SEE NOTES	MFG:	D			
SEE NOTES	MFG ENG:				
DO NOT SCALE DRAWING	ISSUED:				

220-6 MAIN BOARD 220 REV A

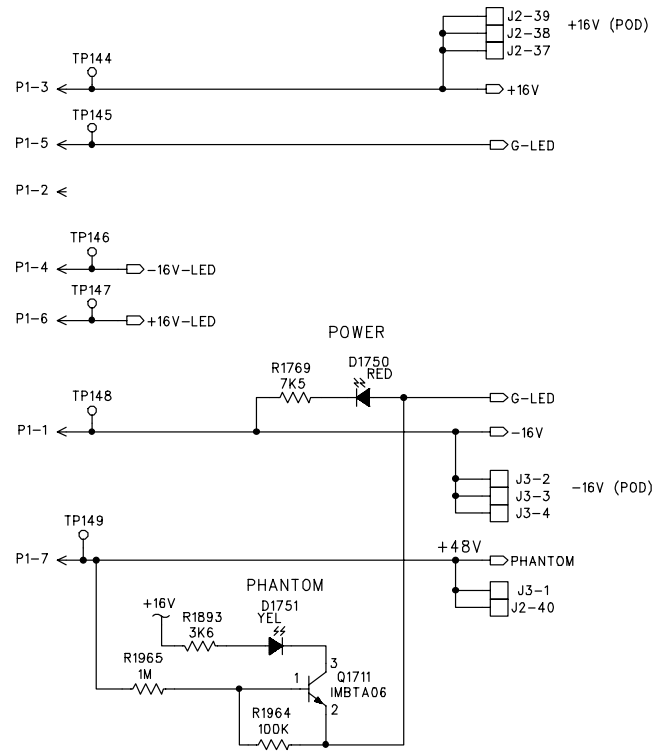


UNLESS OTHERWISE SPECIFIED DIMENSIONS ARE IN INCHES TOLERANCES ARE: FRACTIONS: DECIMALS: ANGLES: ±.NA .XX ±.01 ±.NA .XXX ±.005	APPROVALS	DATE	MACKIE Mackie Designs Inc. Woodinville, Wa.		
	DRAWN: KR	10-12-98			
	CHECKED:				
	NP ENG:				
MATERIAL:	MATERIAL:	SCHEMATIC, CR1604 VLZ METER CIRCUIT			
FINISH:	MFG:				
DO NOT SCALE DRAWING	ISSUED:	SIZE: D	SCALE: NONE	DWG. NO. 990-220-00	REV. A
		DWG FILE:		SHEET 21 OF 22	

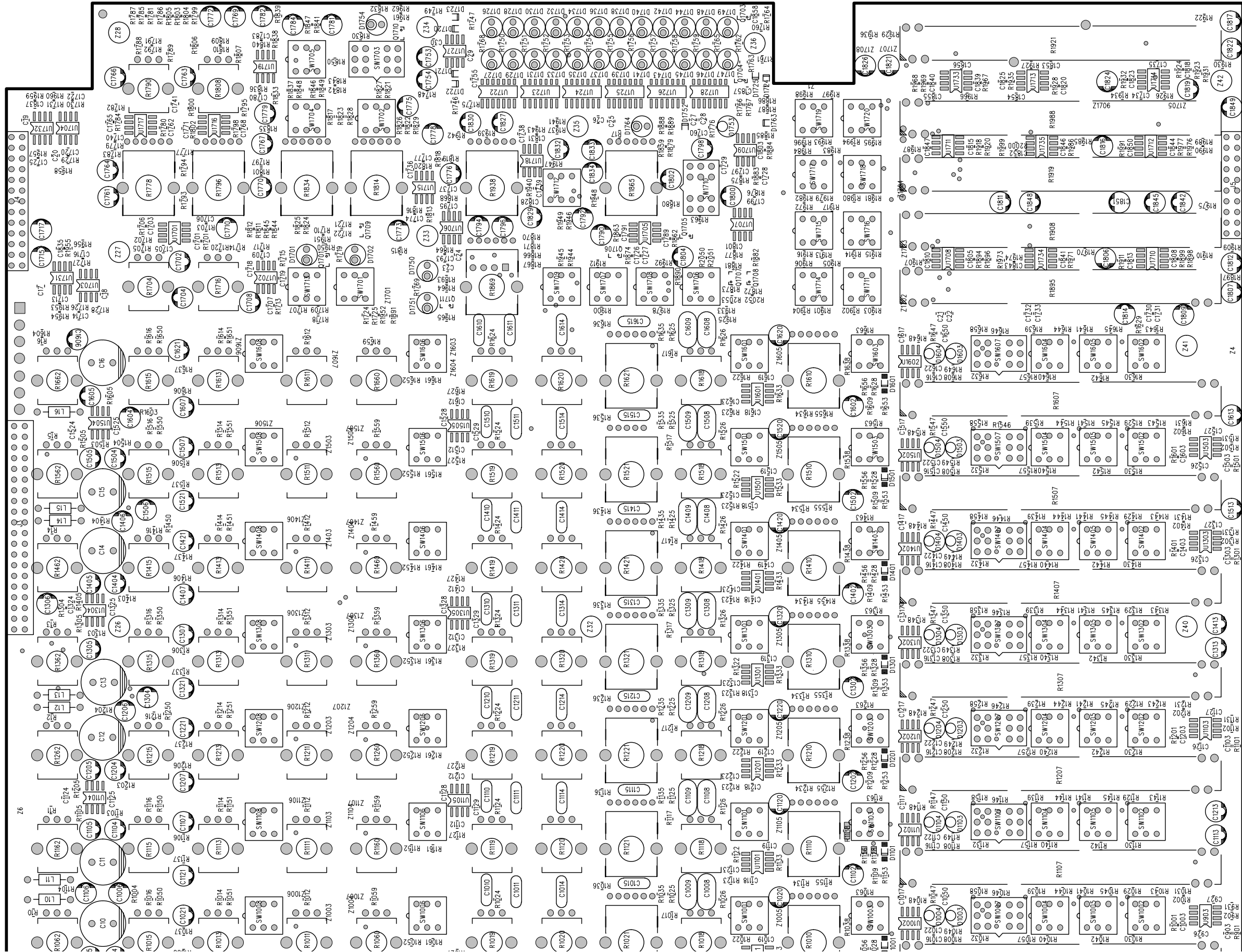
ECO#	REV:	DESCRIPTION	REV. BY:	APP. BY:	DATE
------	------	-------------	----------	----------	------

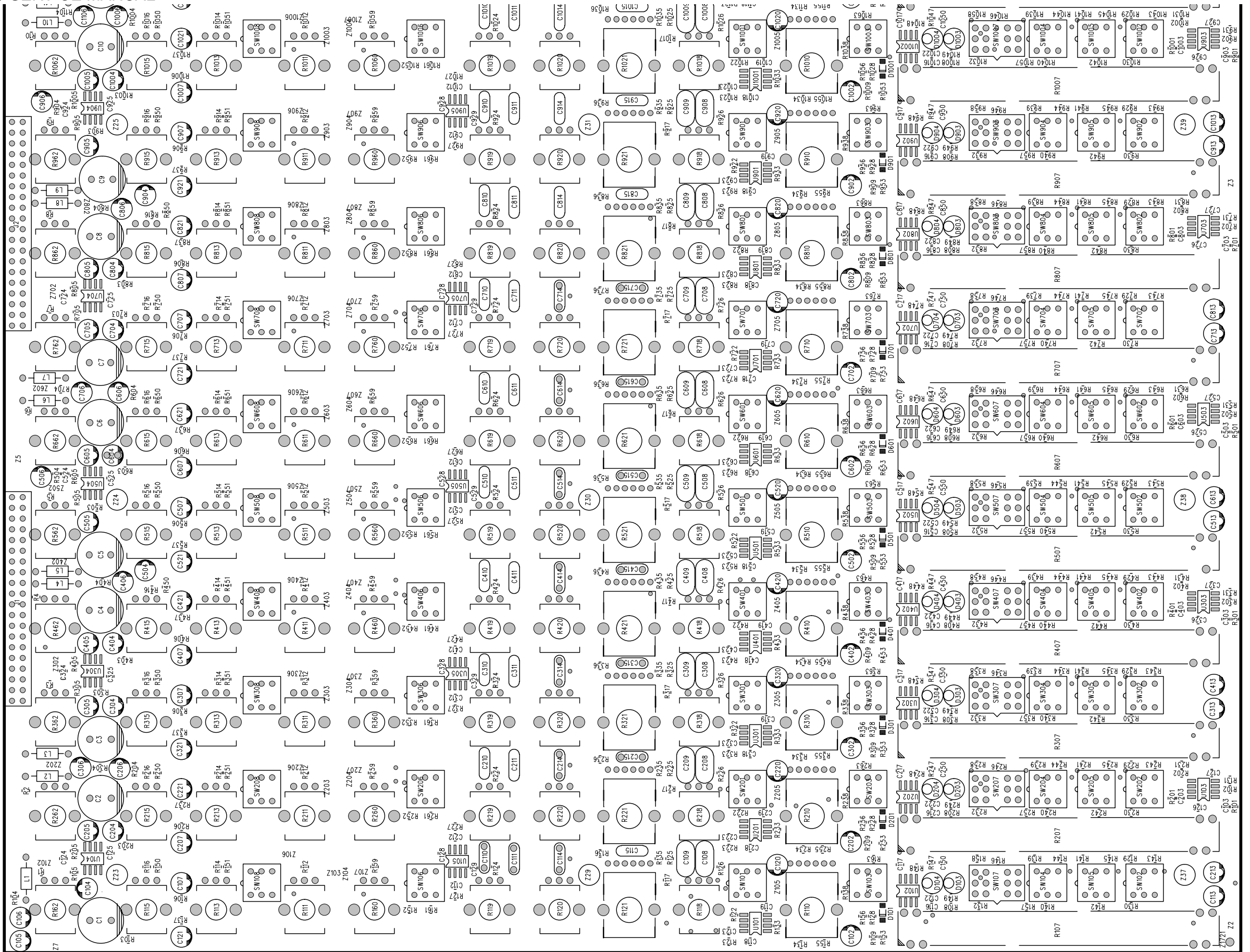
QUANTITY

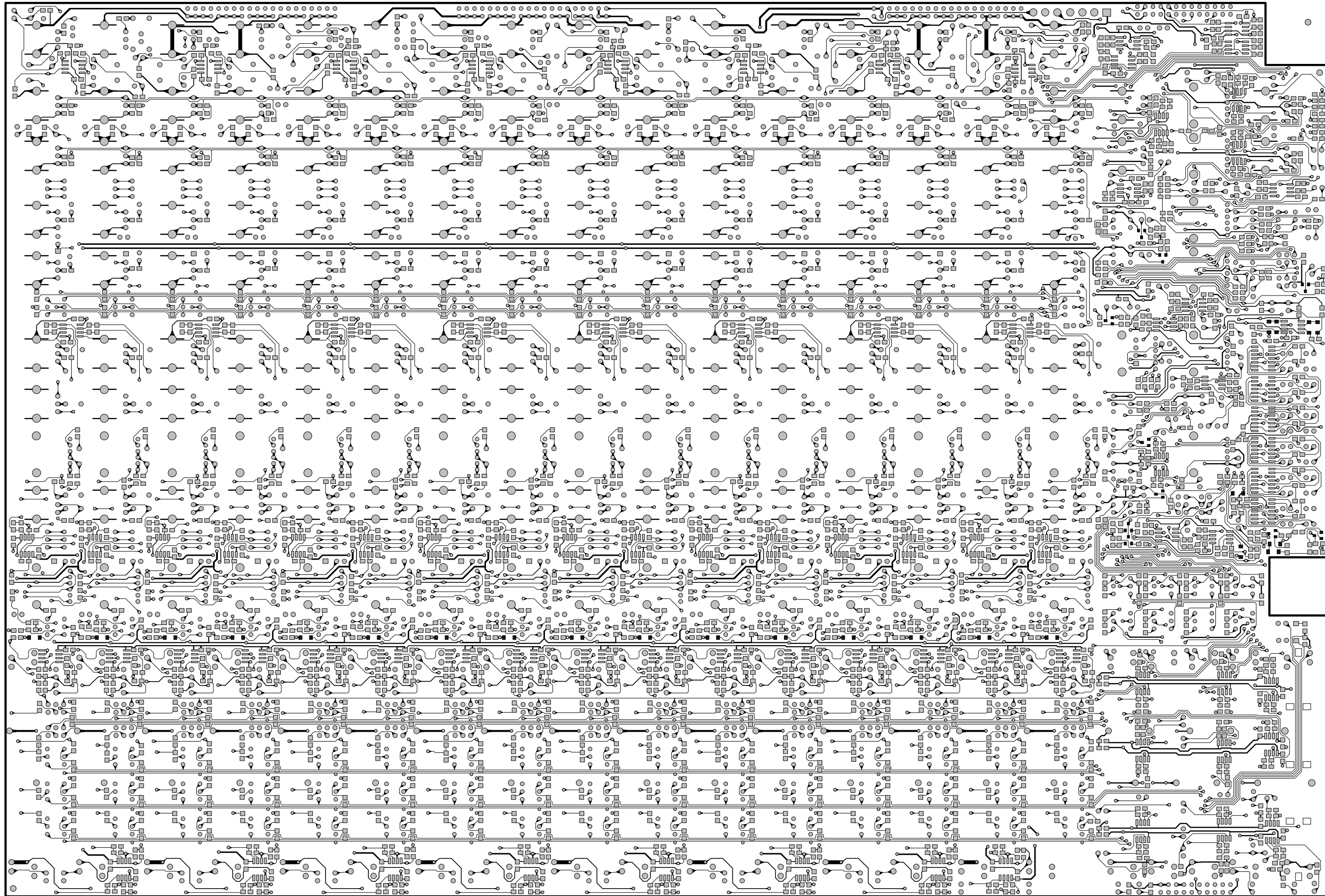
- 20 706-033-02
STDF SWAGE NO.4 X .555L F
- 132 760-107-00
BTN 2 COLOR 9X5MM
- 16 760-108-00
BTN 2 COLOR 9X9MM
- 1 706-009-00
SPACER, NYLON, LED .385
- 1 620-023-00
FLAT CBL 4 PIN 3.5"
- 1 450-220-00
PCB, 1604 VLZ-MAIN

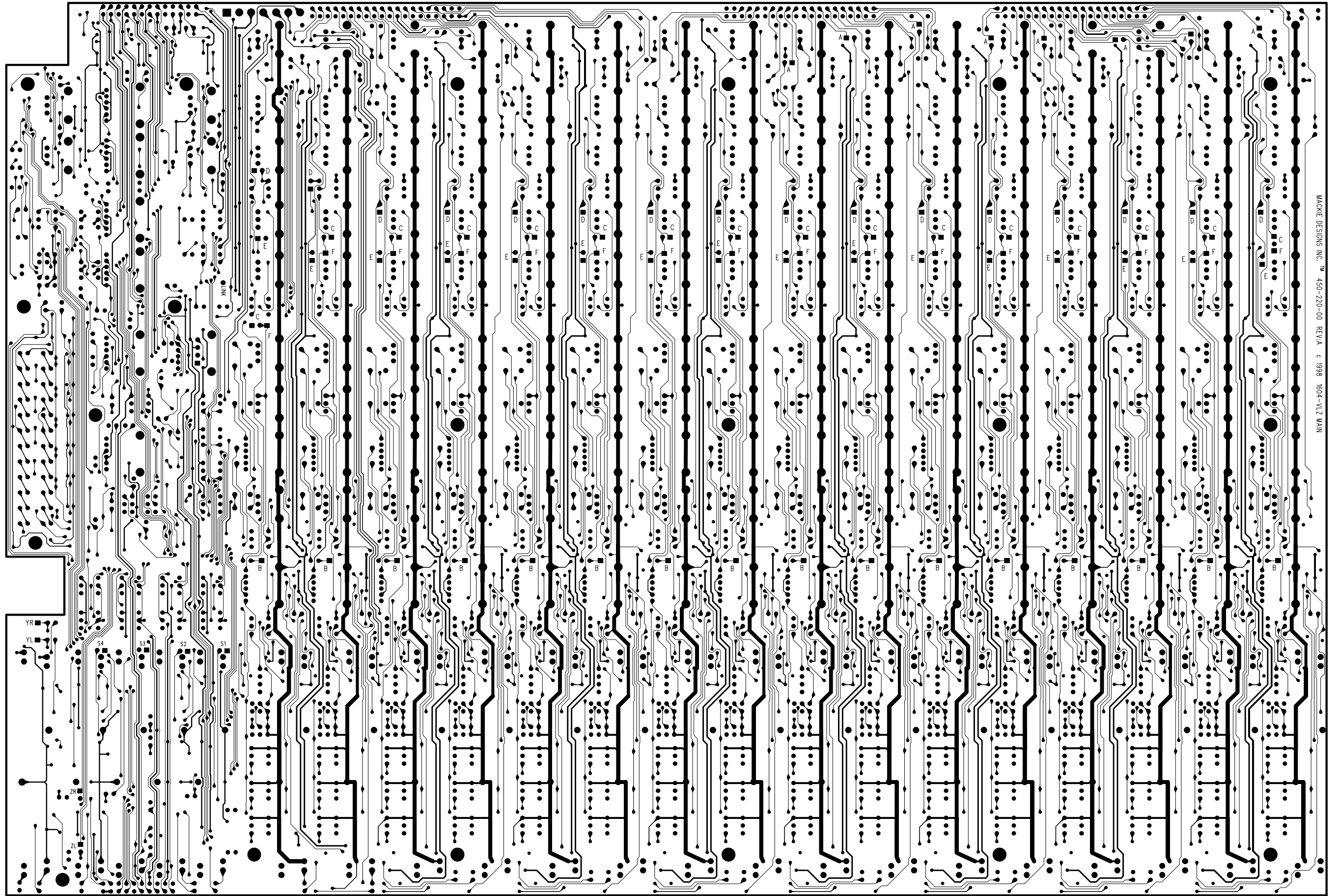


UNLESS OTHERWISE SPECIFIED DIMENSIONS ARE IN INCHES TOLERANCES ARE: FRACTIONS: DECIMALS: ANGLES: ±NA .XX ±.01 ±MA .XXX ±.005	APPROVALS	DATE	MACKIE. Mackie Designs Inc. Woodinville, Wa.			
	DRAWN: KR	10-12-98				
	CHECKED:					
	NP ENG:					
MATERIAL:	MATERIAL:		SCHEMATIC, CR1604 VLZ POWER SUPPLY			
SEE NOTES	MFG:					
FINISH:	MFG ENG:		SIZE	SCALE:	DWG. NO.	REV.
DO NOT SCALE DRAWING	ISSUED:		D	NONE	990-220-00	A
			DWG FILE:			SHEET 22 OF 22



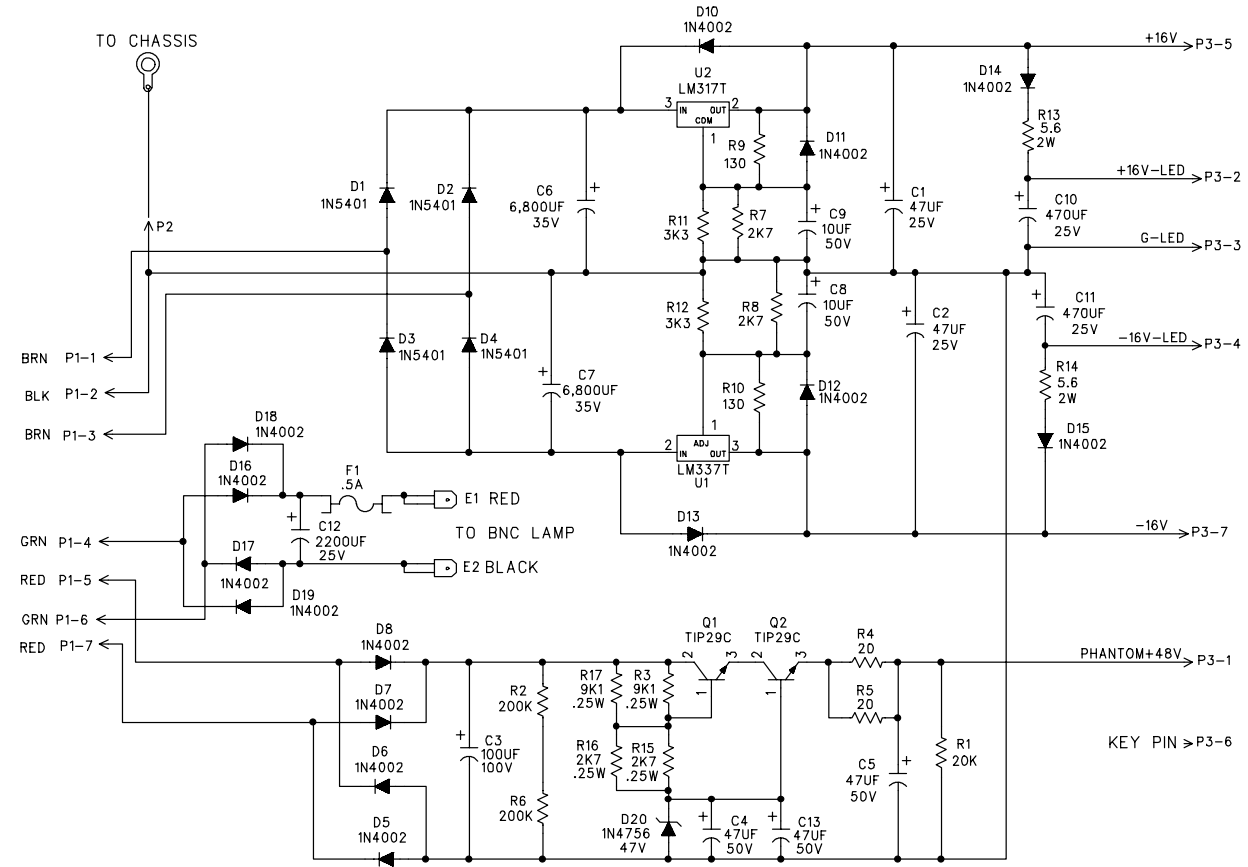
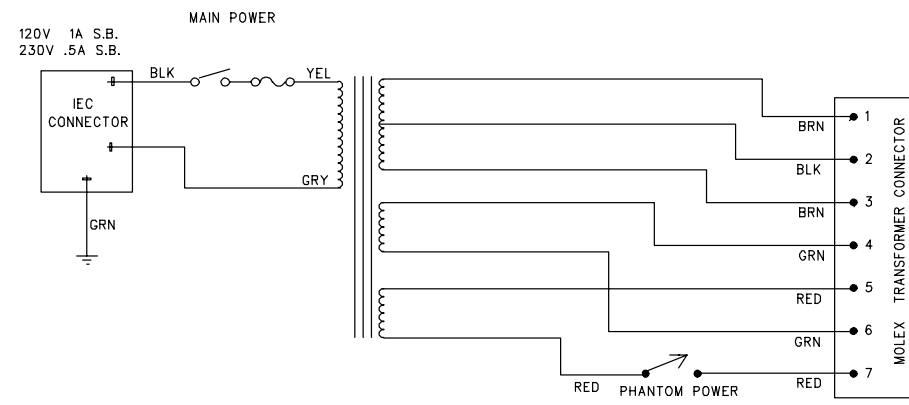






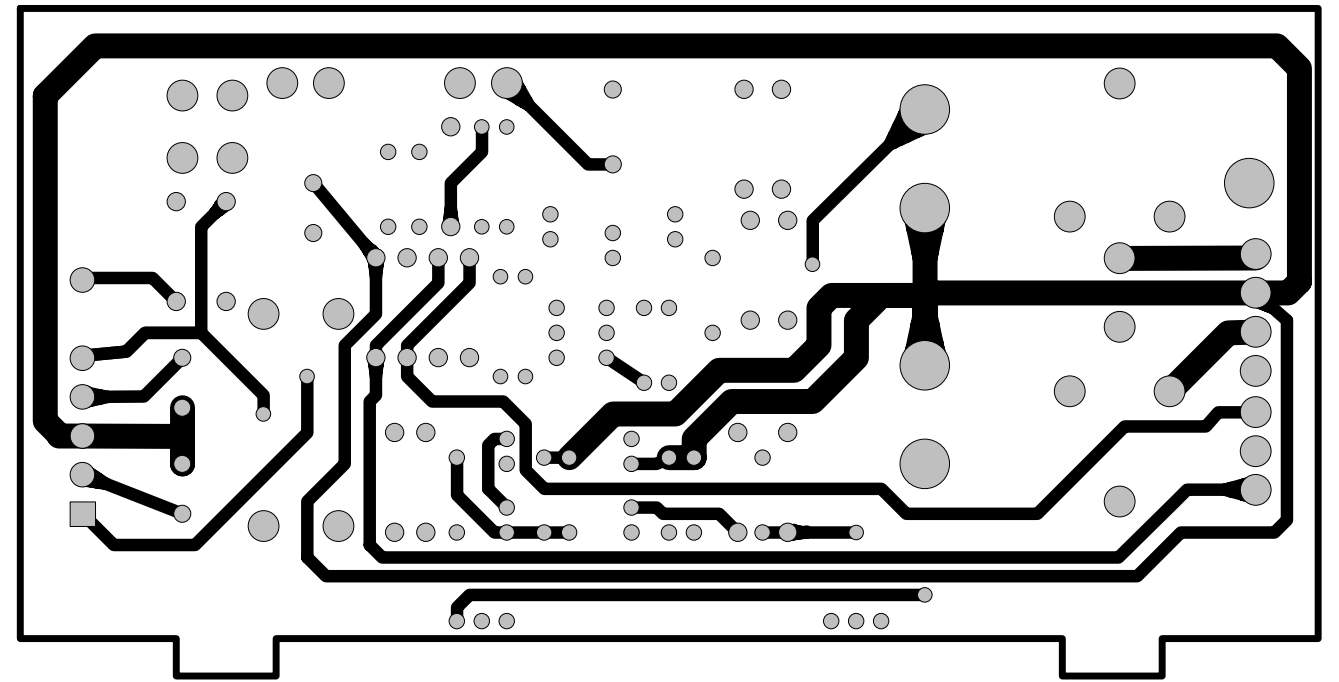
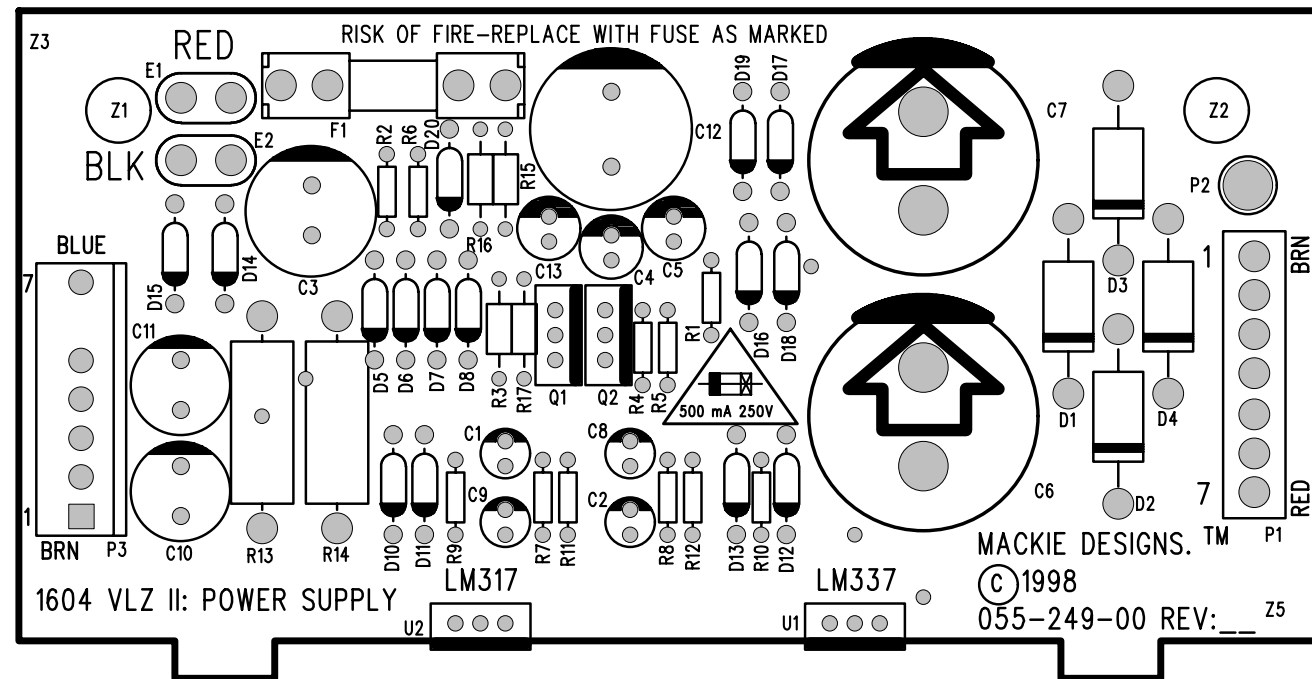
MACKIE DESIGNS INC.™ 450-220-00 REV. A © 1998 1604-VLZ MAIN

DWG. NO:	990-249-00	SHT	1	REV:	A	1
REV:	ECD#	DESCRIPTION	REV. BY:	APP. BY:	DATE	

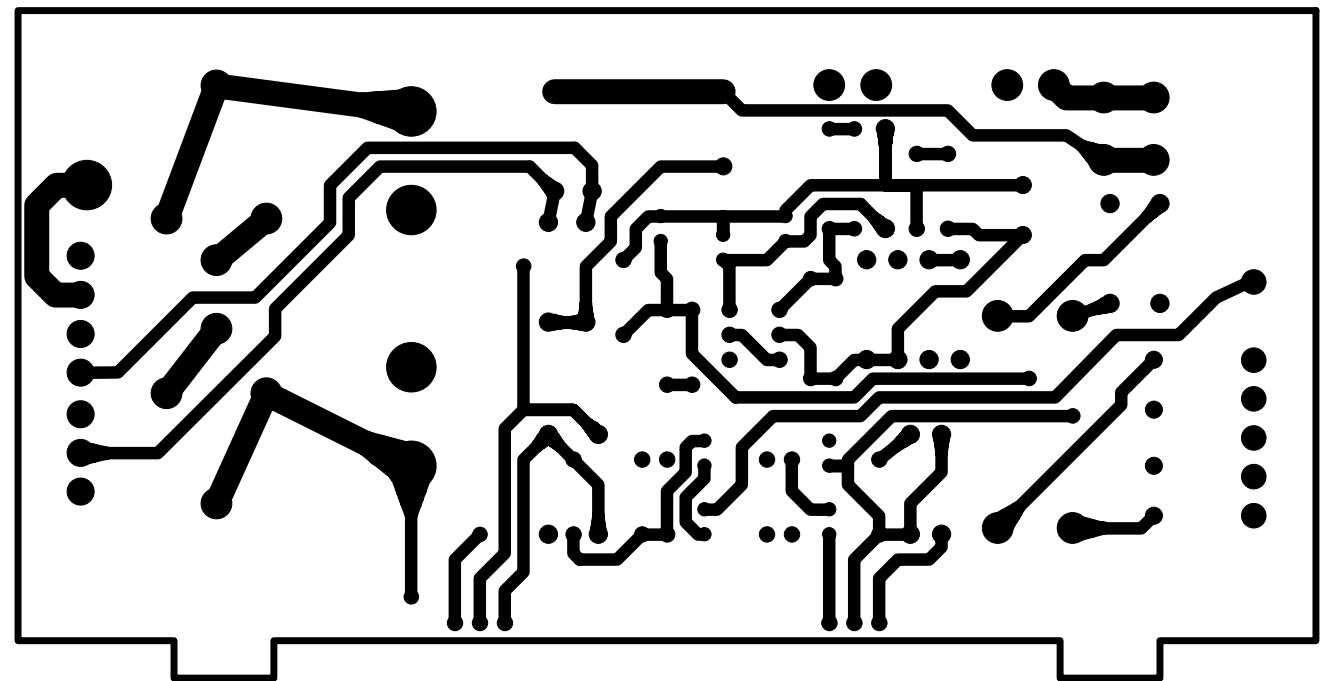


- 400-060-00 FUSE CLIP PCMT
- 400-060-00 FUSE CLIP PCMT
- 450-249-00 PCB, 1604 VLZ II POWER SUPPLY
- 706-008-00 STANDOFF, SWAGE 4-40 X .34
- 706-008-00 STANDOFF, SWAGE 4-40 X .34

UNLESS OTHERWISE SPECIFIED DIMENSIONS ARE IN INCHES TOLERANCES ARE: FRACTIONS: DECIMALS: ANGLES: ±.NA .XX ±.01 ±.NA .XXX ±.005	APPROVALS	DATE	MACKIE Mackie Designs Inc. Woodinville, Wa.		
	DRAWN: KR	11-30-98			
	CHECKED:				
	NP ENG:				
MATERIAL:	MATERIAL:	SCHEMATIC, CR1604 VLZ II POWER SUPPLY			
SEE NOTES	MFG:				
FINISH:	MFG ENG:	SIZE	SCALE:	DWG. NO.	REV.
DO NOT SCALE DRAWING	ISSUED:	D	NONE	990-249-00	A
		DWG FILE:			SHEET 1 OF 1

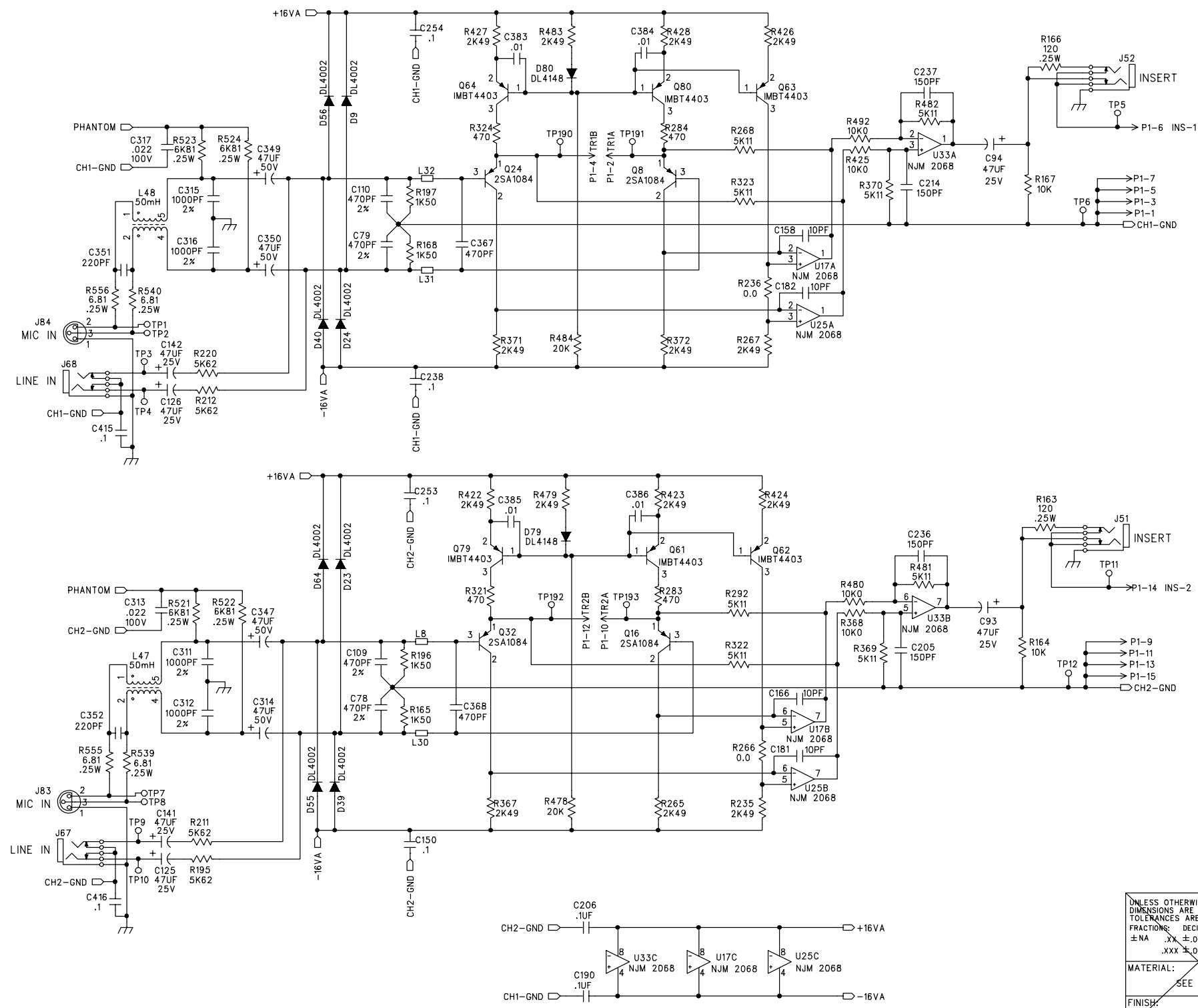


Top Traces

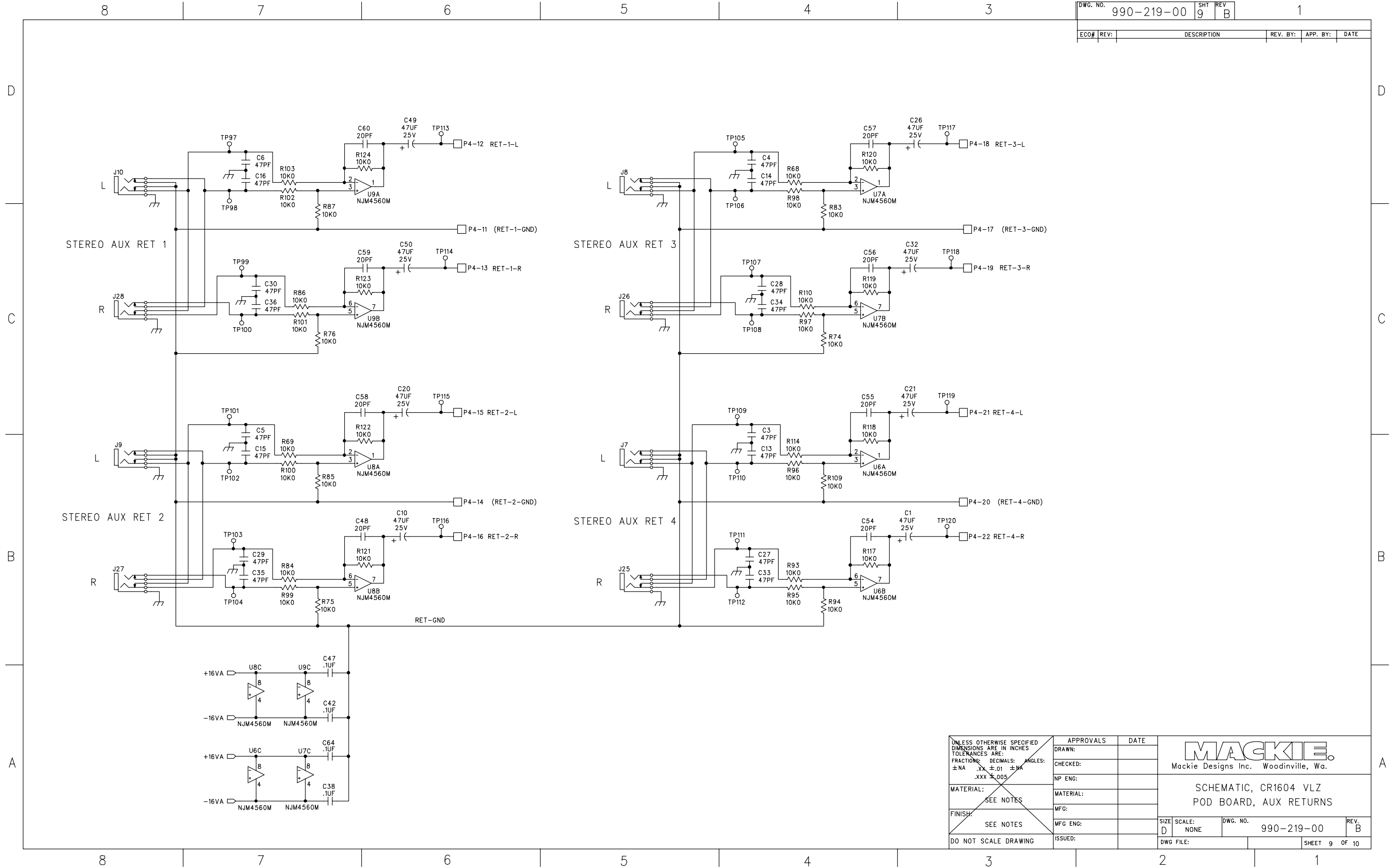


Bottom Traces

DWG. NO.	990-219-00	SHT	1	REV	B
REV:	ECO#	DESCRIPTION	REV. BY:	APP. BY:	DATE
B	2165	ADD LABEL TO B.O.M.	KR		2-3-99
	2180	MOVE CHOKES			

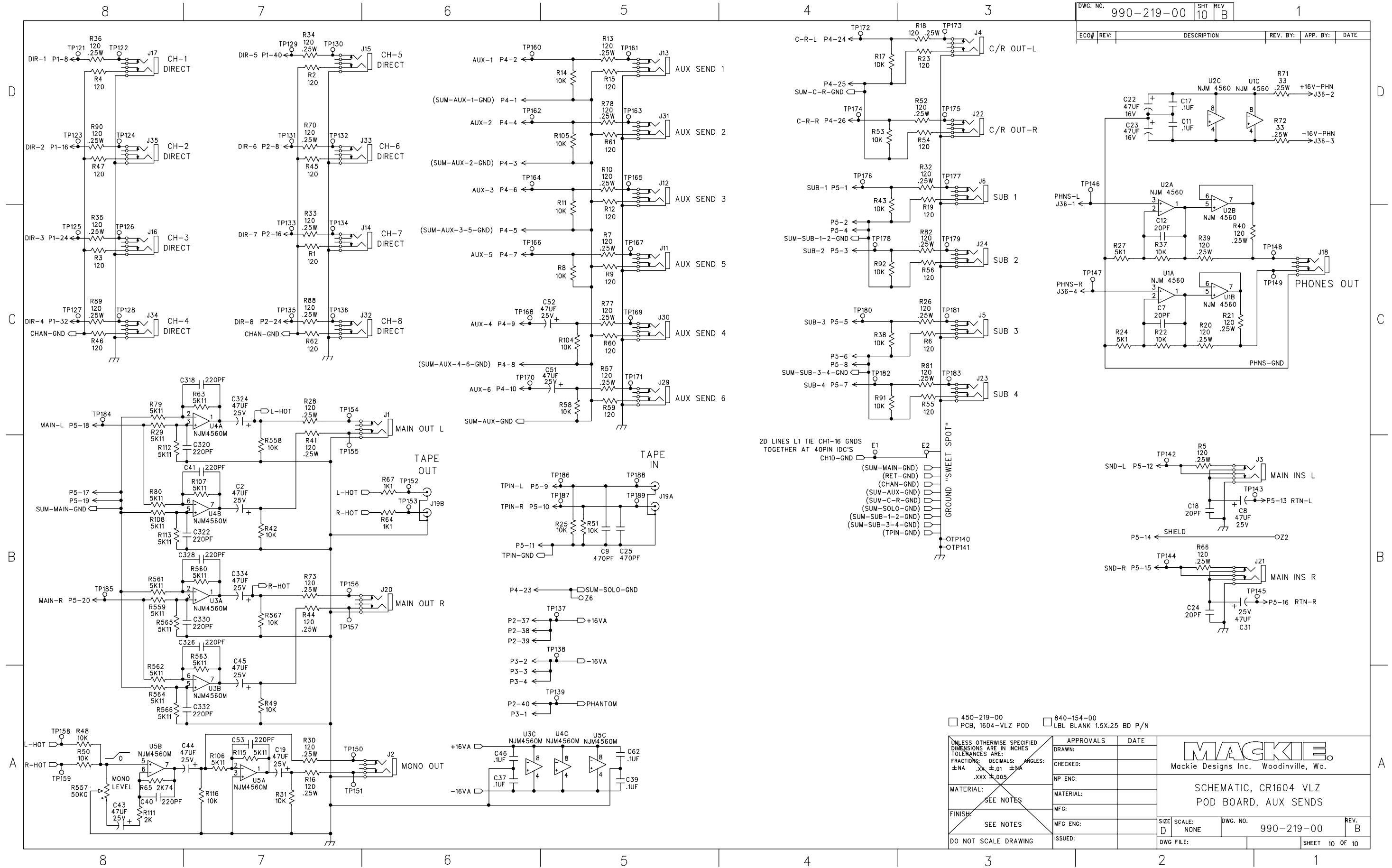


UNLESS OTHERWISE SPECIFIED DIMENSIONS ARE IN INCHES TOLERANCES ARE: FRACTIONS: .XX ±.01 ±.01 DECIMALS: .XXX ±.005 ANGLES: ±NA .XX ±.01 ±.01 .XXX ±.005	APPROVALS	DATE	<p>Mackie Designs Inc. Woodinville, Wa.</p> <p>SCHEMATIC, CR1604 VLZ POD, CH 1/2</p>
	DRAWN: KR	4-21-98	
	CHECKED: CW	12-2-98	
	NP ENG: CW	12-2-98	
MATERIAL: SEE NOTES	MATERIAL:		SIZE: D SCALE: NONE DWG. NO.: 990-219-00 REV.: B
FINISH: SEE NOTES	MFG:		
DO NOT SCALE DRAWING	ISSUED: LEIGH	12-3-98	DWG. FILE: SHEET 1 OF 10



UNLESS OTHERWISE SPECIFIED DIMENSIONS ARE IN INCHES TOLERANCES ARE: FRACTIONS: DECIMALS: ANGLES: ±.NA .XX ±.01 ±.NA .XXX ±.005	APPROVALS	DATE
	DRAWN:	
	CHECKED:	
	NP ENG:	
MATERIAL:	MATERIAL:	
FINISH:	MFG:	
DO NOT SCALE DRAWING	MFG ENG:	
	ISSUED:	

MACKIE Mackie Designs Inc. Woodinville, Wa.		
SCHEMATIC, CR1604 VLZ POD BOARD, AUX RETURNS		
SIZE: D	SCALE: NONE	DWG. NO. 990-219-00
		REV. B
DWG FILE:		SHEET 9 OF 10



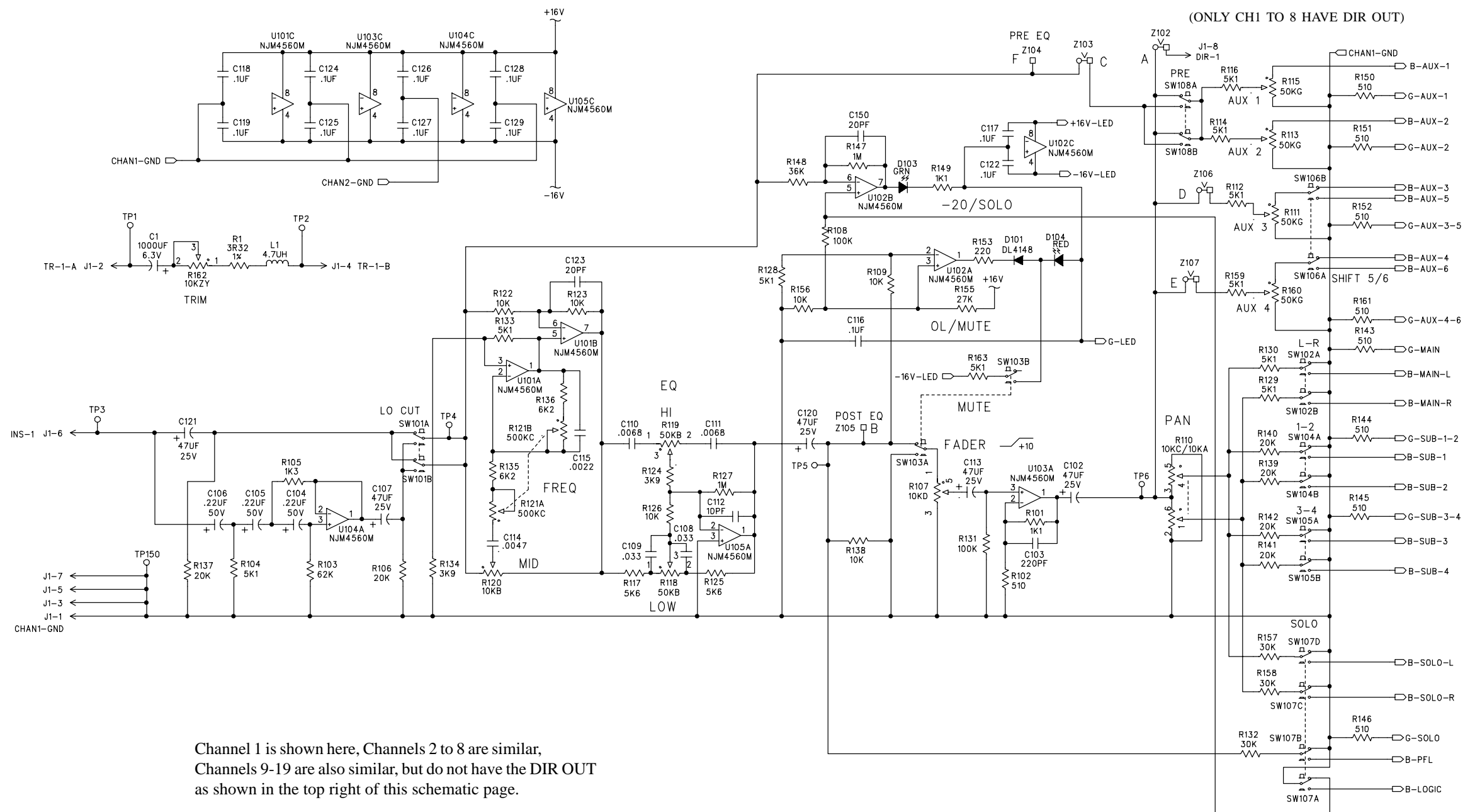
ECO#	REV	DESCRIPTION	REV. BY	APP. BY	DATE

UNLESS OTHERWISE SPECIFIED DIMENSIONS ARE IN INCHES TOLERANCES ARE:		APPROVALS		DATE
FRACTIONS:	DECIMALS:	DRAWN:		
±NA	.XX ±.01 ±MA	CHECKED:		
MATERIAL:		NP ENG:		
SEE NOTES		MATERIAL:		
FINISH:		MFG:		
SEE NOTES		MFG ENG:		
DO NOT SCALE DRAWING		ISSUED:		

450-219-00 PCB, 1604-VLZ POD	840-154-00 LBL BLANK 1.5X.25 BD P/N
------------------------------	-------------------------------------

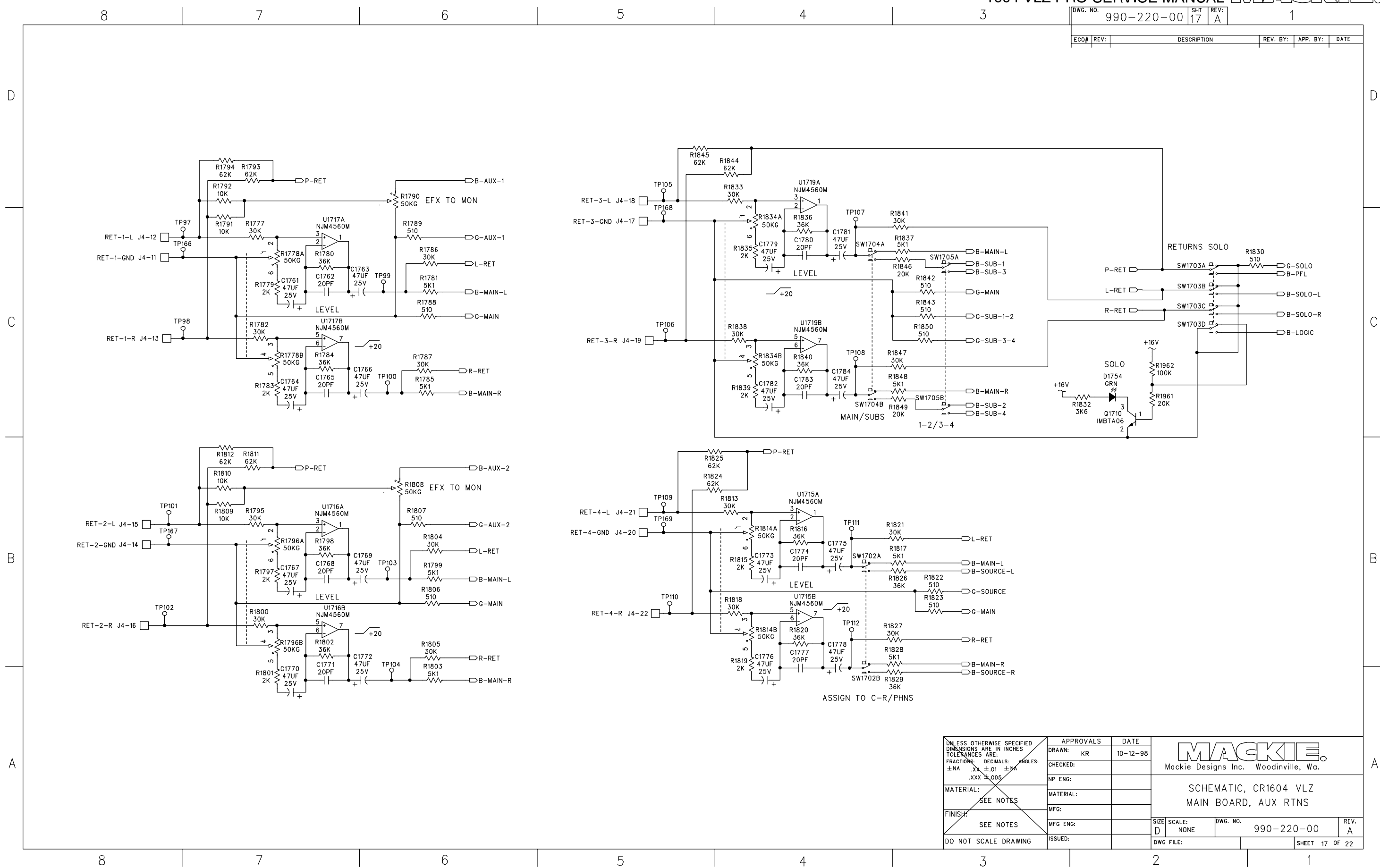
<p>Mackie Designs Inc. Woodinville, Wa.</p>		SCHEMATIC, CR1604 VLZ POD BOARD, AUX SENDS	
		SIZE: D	SCALE: NONE
DWG FILE:		SHEET 10 OF 10	

219-3 POD BOARD 219 REV B

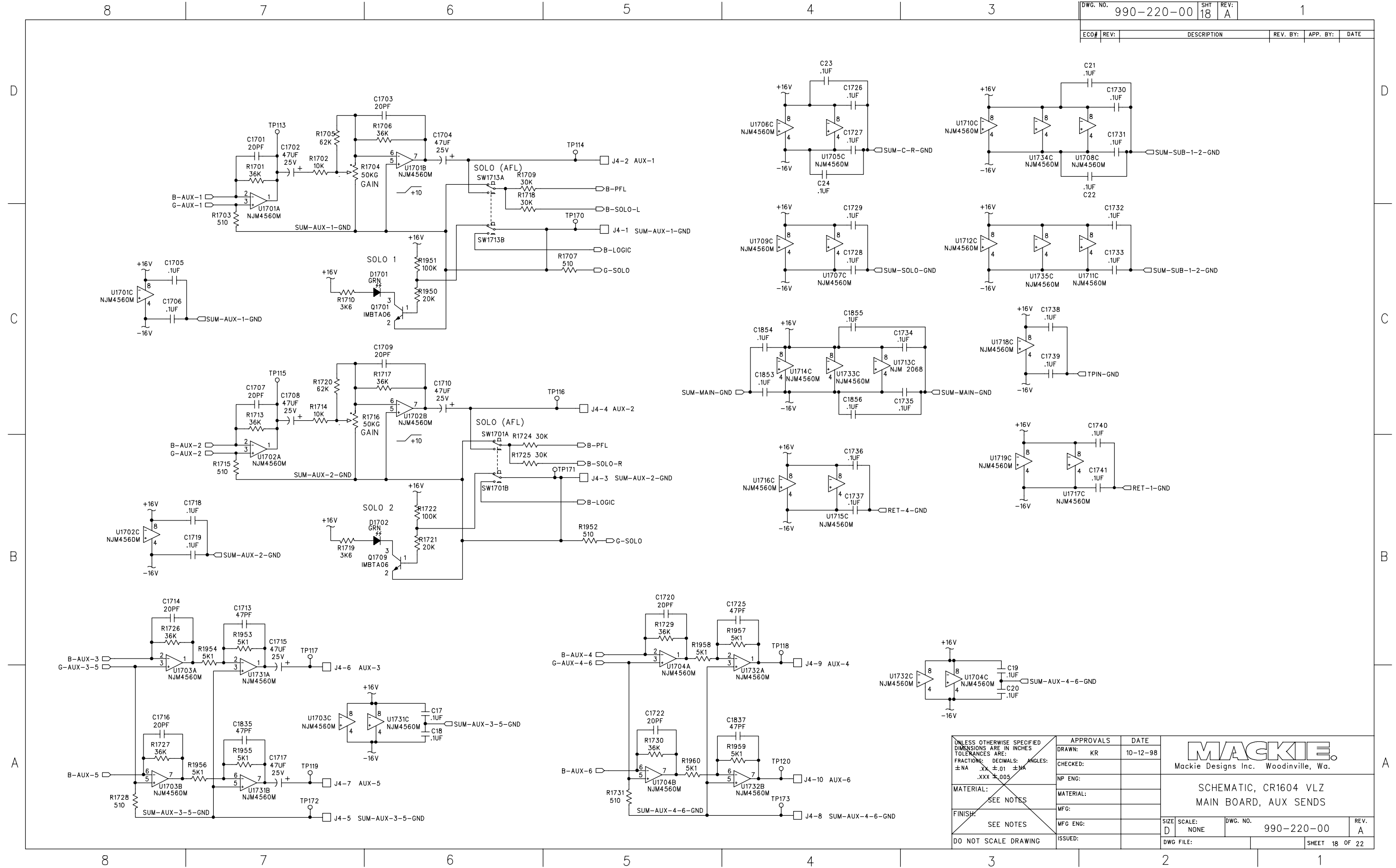


Channel 1 is shown here, Channels 2 to 8 are similar, Channels 9-19 are also similar, but do not have the DIR OUT as shown in the top right of this schematic page.

UNLESS OTHERWISE SPECIFIED DIMENSIONS ARE IN INCHES TOLERANCES ARE: FRACTIONS: DECIMALS: ANGLES: ±NA .XX ±.01 ±NA .XXX ±.005	APPROVALS	DATE	Mackie Designs Inc. Woodinville, Wa.
	DRAWN: KR	10-12-98	
	CHECKED:		
	NP ENG:		
MATERIAL:	MATERIAL:		SCHEMATIC, CR1604 VLZ MAIN BOARD, CHANNEL 1
SEE NOTES	MFG:		
FINISH:	MFG ENG:		
SEE NOTES	ISSUED:		
DO NOT SCALE DRAWING			SIZE: D SCALE: NONE DWG. NO. 990-220-00 REV. A DWG FILE: SHEET 1 OF 22

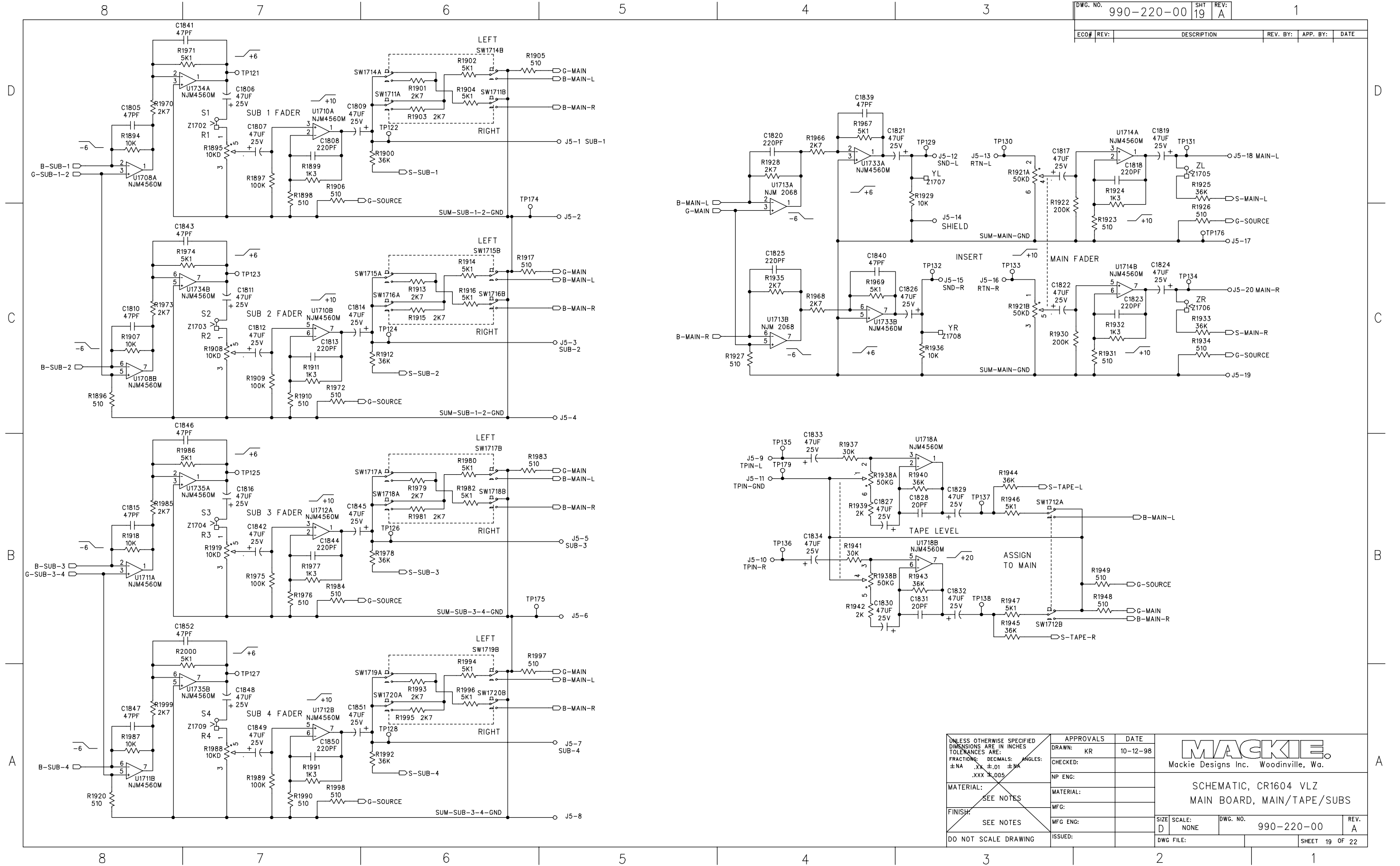


UNLESS OTHERWISE SPECIFIED DIMENSIONS ARE IN INCHES TOLERANCES ARE: FRACTIONS: DECIMALS: ANGLES: ±.NA .XX ±.01 ±.NA .XXX ±.005	APPROVALS	DATE	MACKIE Mackie Designs Inc. Woodinville, Wa.
	DRAWN: KR	10-12-98	
	CHECKED:		
	NP ENG:		
MATERIAL:	MATERIAL:		SCHEMATIC, CR1604 VLZ MAIN BOARD, AUX RTNS
SEE NOTES	MFG:		
FINISH:	MFG ENG:		SIZE SCALE: DWG. NO. 990-220-00 REV. A
DO NOT SCALE DRAWING	ISSUED:		DWG FILE: SHEET 17 OF 22



UNLESS OTHERWISE SPECIFIED DIMENSIONS ARE IN INCHES FRACTIONS: DECIMALS: ANGLES: ±NA .XX ±.01 ±MA .XXX ±.005	APPROVALS	DATE	<p>Mackie Designs Inc. Woodinville, Wa.</p>
	DRAWN: KR	10-12-98	
	CHECKED:		
	NP ENG:		
MATERIAL:	MATERIAL:		SCHEMATIC, CR1604 VLZ MAIN BOARD, AUX SENDS
SEE NOTES	MFG:		
SEE NOTES	MFG ENG:		
DO NOT SCALE DRAWING	ISSUED:		
	SIZE: D	SCALE: NONE	DWG. NO. 990-220-00
			REV. A
	DWG FILE:		SHEET 18 OF 22

220-3 MAIN BOARD 220 REV A

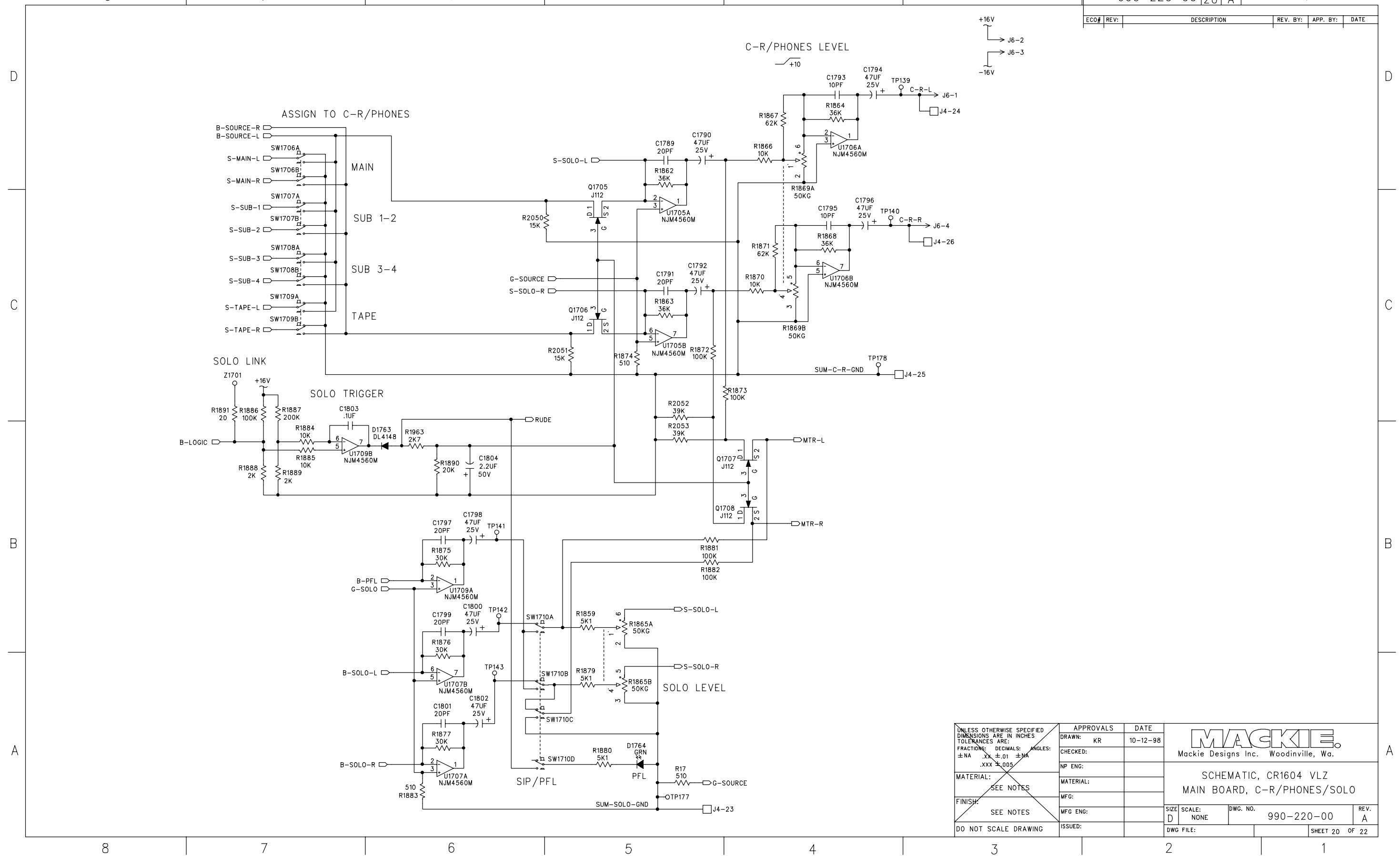


UNLESS OTHERWISE SPECIFIED DIMENSIONS ARE IN INCHES TOLERANCES ARE: FRACTIONS: DECIMALS: ANGLES: ±.NA .XX ±.01 ±.NA .XXX ±.005	APPROVALS	DATE
	DRAWN: KR	10-12-98
	CHECKED:	
	NP ENG:	
MATERIAL:	MATERIAL:	
FINISH:	MFG:	
SEE NOTES	MFG ENG:	
DO NOT SCALE DRAWING	ISSUED:	

MACKIE
Mackie Designs Inc. Woodinville, Wa.

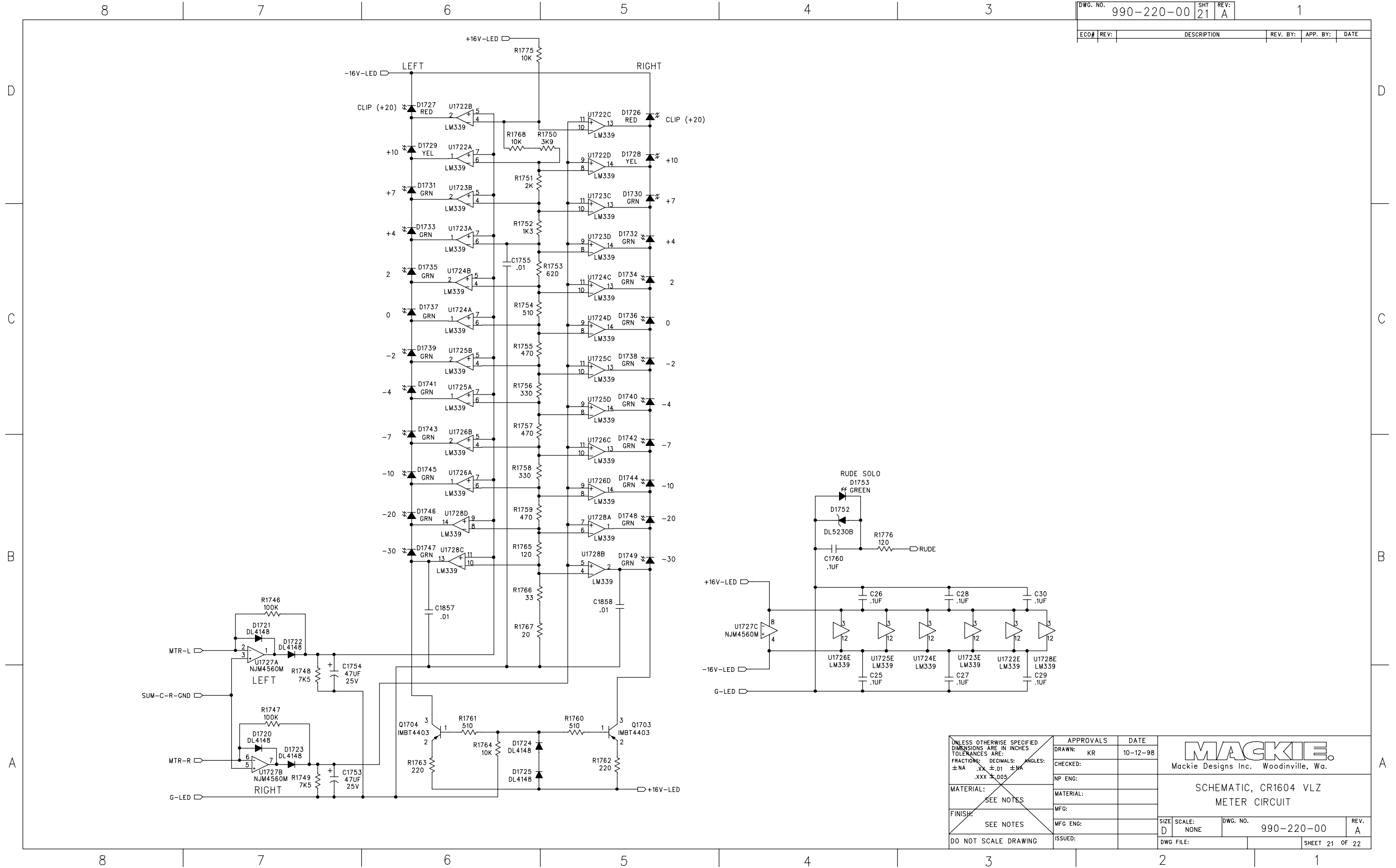
SCHEMATIC, CR1604 VLZ
MAIN BOARD, MAIN/TAPE/SUBS

SIZE	SCALE:	DWG. NO.	REV.
D	NONE	990-220-00	A
DWG FILE:	SHEET 19 OF 22		



UNLESS OTHERWISE SPECIFIED DIMENSIONS ARE IN INCHES. FRACTIONS: DECIMALS: ANGLES: ±NA .XX ±.01 ±MA .XXX ±.005	APPROVALS	DATE	<p>Mackie Designs Inc. Woodinville, Wa.</p> <p>SCHMATIC, CR1604 VLZ MAIN BOARD, C-R/PHONES/SOLO</p>		
	DRAWN: KR	10-12-98			
	CHECKED:				
	NP ENG:				
MATERIAL:	MATERIAL:	SIZE	SCALE: NONE	DWG. NO. 990-220-00	REV. A
SEE NOTES	MFG:	D			
SEE NOTES	MFG ENG:				
DO NOT SCALE DRAWING	ISSUED:		DWG FILE:		SHEET 20 OF 22

220-5 MAIN BOARD 220 REV A

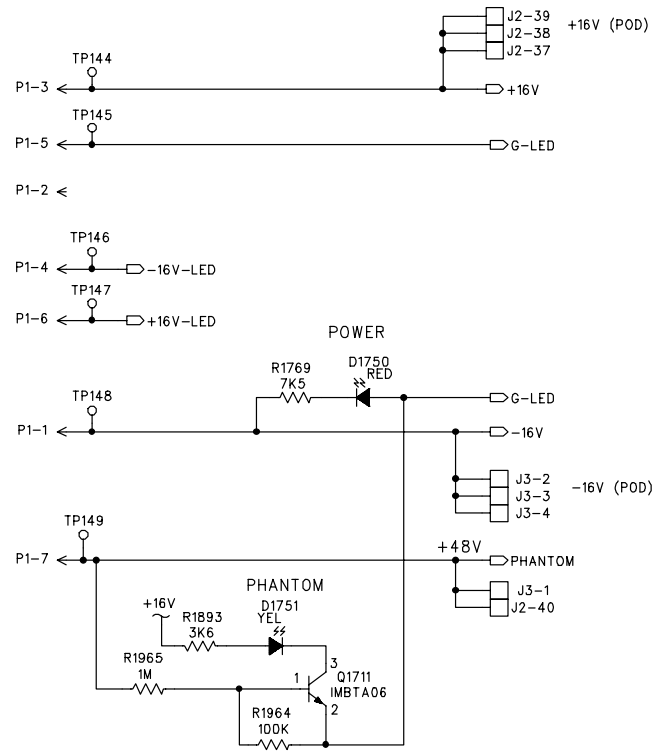


UNLESS OTHERWISE SPECIFIED DIMENSIONS ARE IN INCHES TOLERANCES ARE: FRACTIONS: .XX ±.01 ±.005 DECIMALS: .XXX ±.005 ANGLES: ±.01 ±.005 MATERIAL: SEE NOTES FINISH: SEE NOTES DO NOT SCALE DRAWING	APPROVALS	DATE	MACKIE Mackie Designs Inc. Woodinville, Wa.
	DRAWN: KR	10-12-98	
	CHECKED:		
	NP ENG:		
MATERIAL:	MATERIAL:	SCHEMATIC, CR1604 VLZ METER CIRCUIT	
FINISH:	MFG:	SIZE: D	SCALE: NONE
DO NOT SCALE DRAWING	MFG ENG:	DWG. NO. 990-220-00	REV. A
	ISSUED:	DWG FILE:	SHEET 21 OF 22

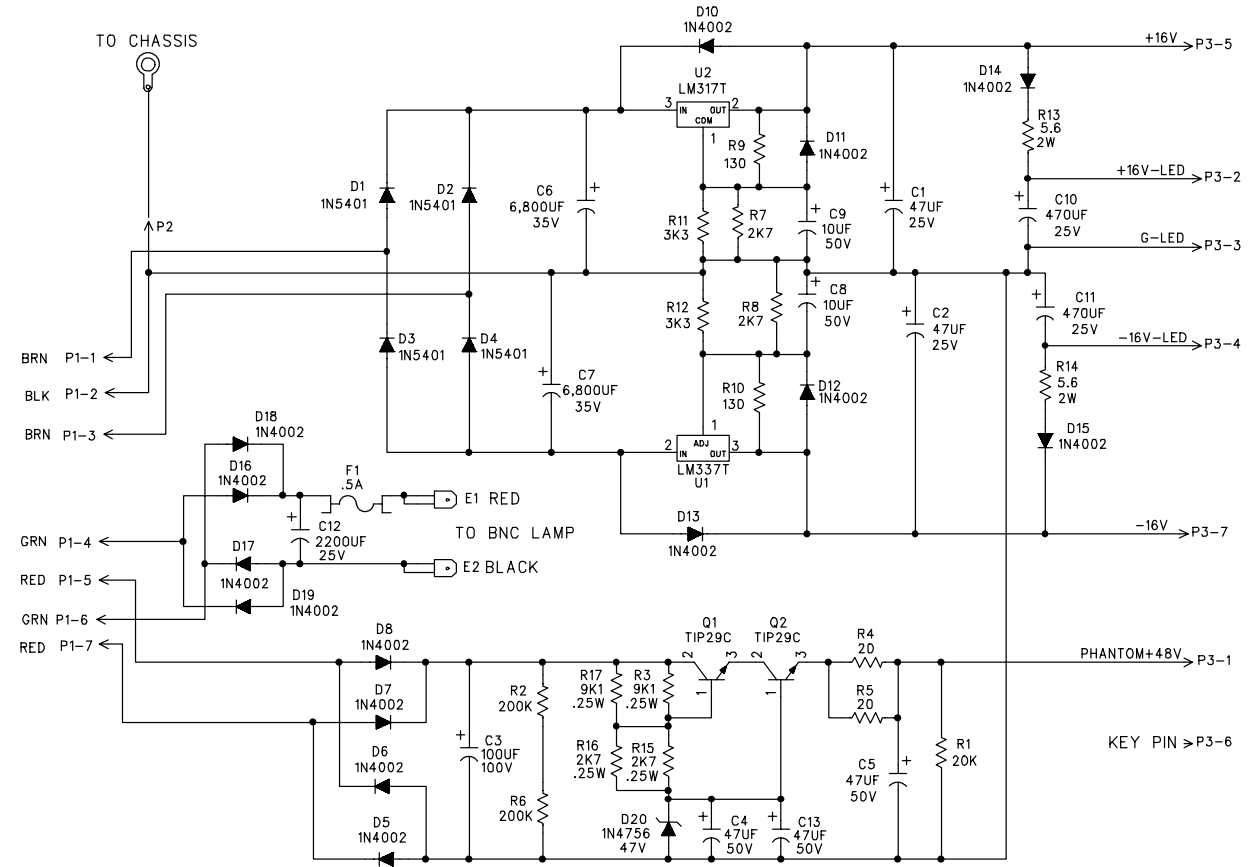
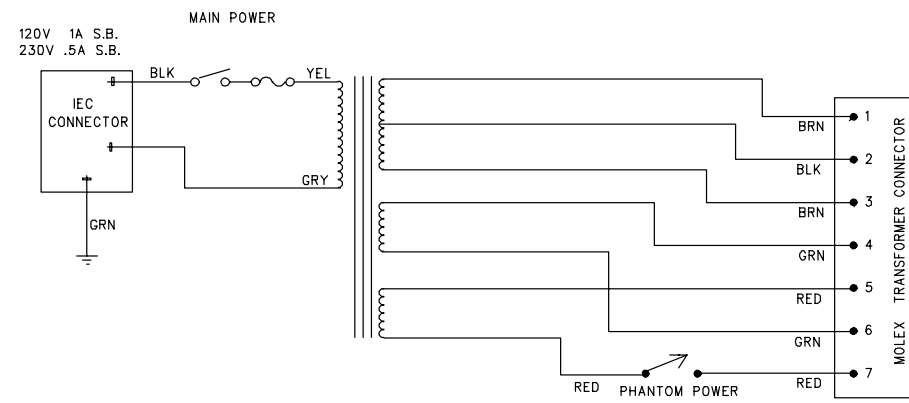
ECO#	REV:	DESCRIPTION	REV. BY:	APP. BY:	DATE
------	------	-------------	----------	----------	------

QUANTITY

- 20 706-033-02
STDF SWAGE NO.4 X .555L F
- 132 760-107-00
BTN 2 COLOR 9X5MM
- 16 760-108-00
BTN 2 COLOR 9X9MM
- 1 706-009-00
SPACER, NYLON, LED .385
- 1 620-023-00
FLAT CBL 4 PIN 3.5"
- 1 450-220-00
PCB, 1604 VLZ-MAIN



UNLESS OTHERWISE SPECIFIED DIMENSIONS ARE IN INCHES TOLERANCES ARE: FRACTIONS: DECIMALS: ANGLES: ±NA .XX ±.01 ±MA .XXX ±.005	APPROVALS	DATE	Mackie Designs Inc. Woodinville, Wa.			
	DRAWN: KR	10-12-98				CHECKED:
	NP ENG:					MFG:
	MFG ENG:					ISSUED:
MATERIAL: SEE NOTES	MATERIAL:		SIZE D	SCALE: NONE	DWG. NO. 990-220-00	REV. A
FINISH: SEE NOTES			DWG FILE:			SHEET 22 OF 22



- 400-060-00 FUSE CLIP PCMT
- 400-060-00 FUSE CLIP PCMT
- 450-249-00 PCB, 1604 VLZ II POWER SUPPLY
- 706-008-00 STANDOFF, SWAGE 4-40 X .34
- 706-008-00 STANDOFF, SWAGE 4-40 X .34

UNLESS OTHERWISE SPECIFIED
DIMENSIONS ARE IN INCHES
TOLERANCES ARE:
FRACTIONS: DECIMALS: ANGLES:
±.NA .XX ±.01 ±.NA
.XXX ±.005

MATERIAL: SEE NOTES
FINISH: SEE NOTES
DO NOT SCALE DRAWING

APPROVALS	DATE
DRAWN: KR	11-30-98
CHECKED:	
NP ENG:	
MATERIAL:	
MFG:	
MFG ENG:	
ISSUED:	

MACKIE
Mackie Designs Inc. Woodinville, Wa.

SCHEMATIC, CR1604 VLZ II
POWER SUPPLY

SIZE: D	SCALE: NONE	DWG. NO. 990-249-00	REV. A
DWG FILE:		SHEET 1 OF 1	