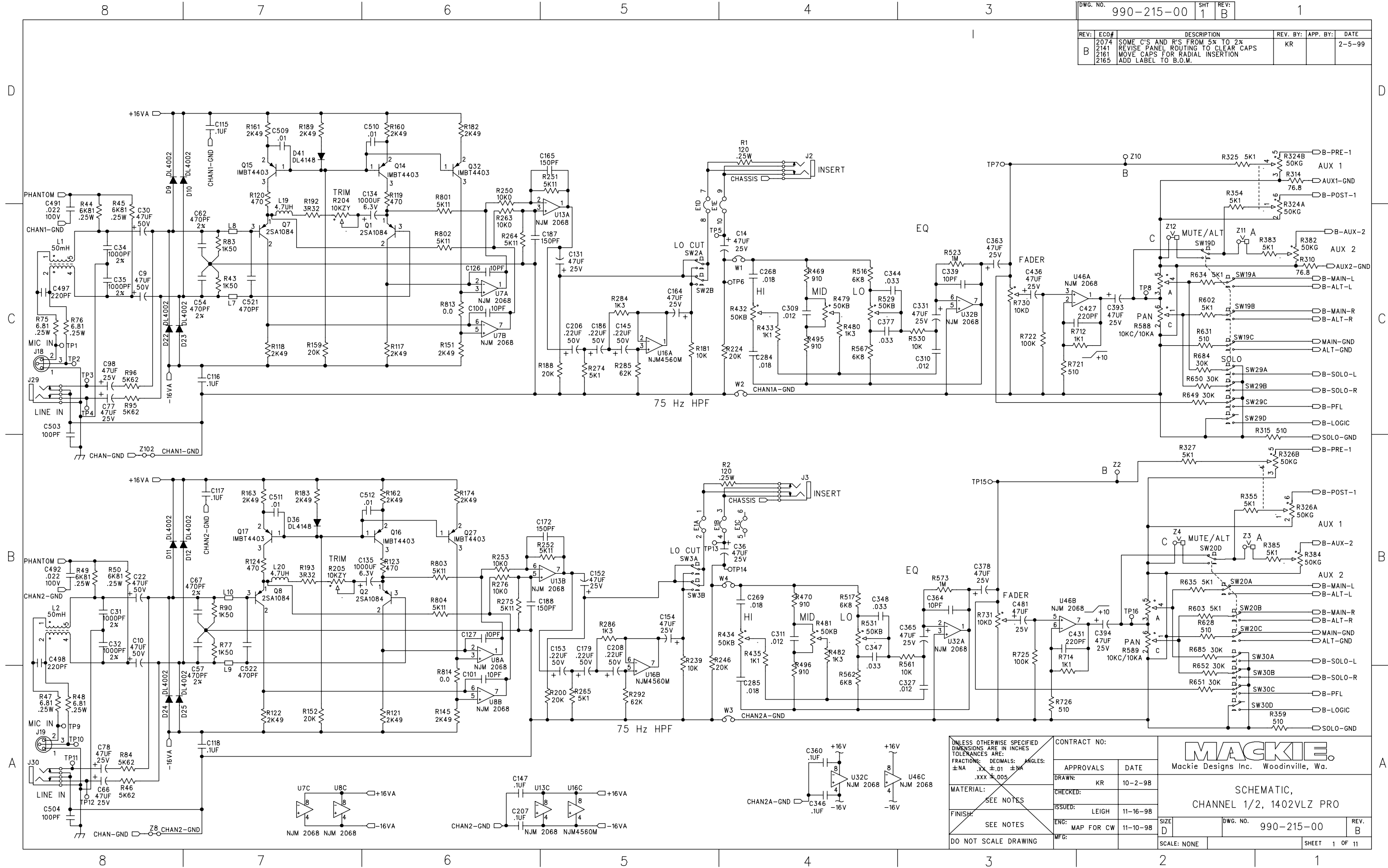
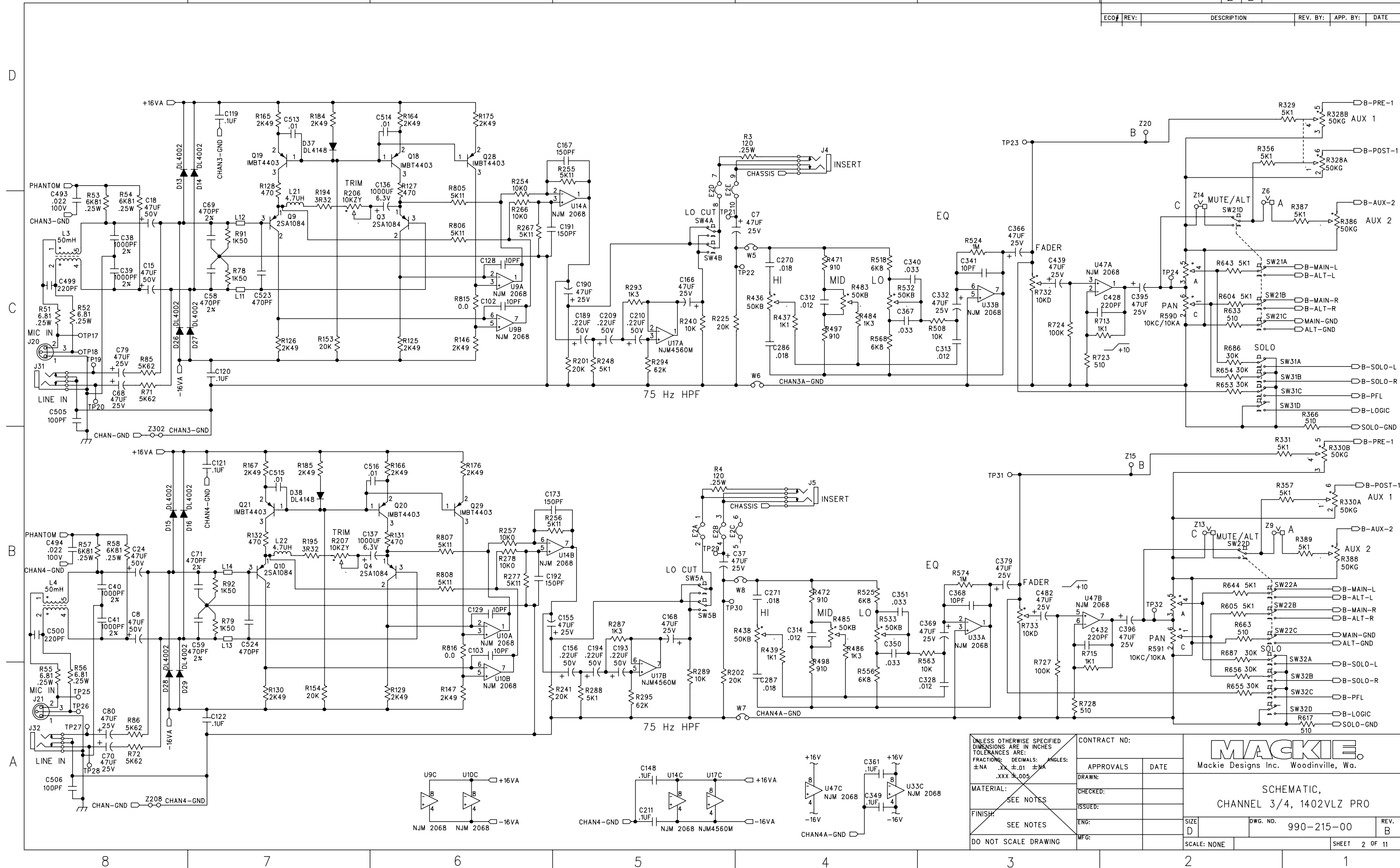


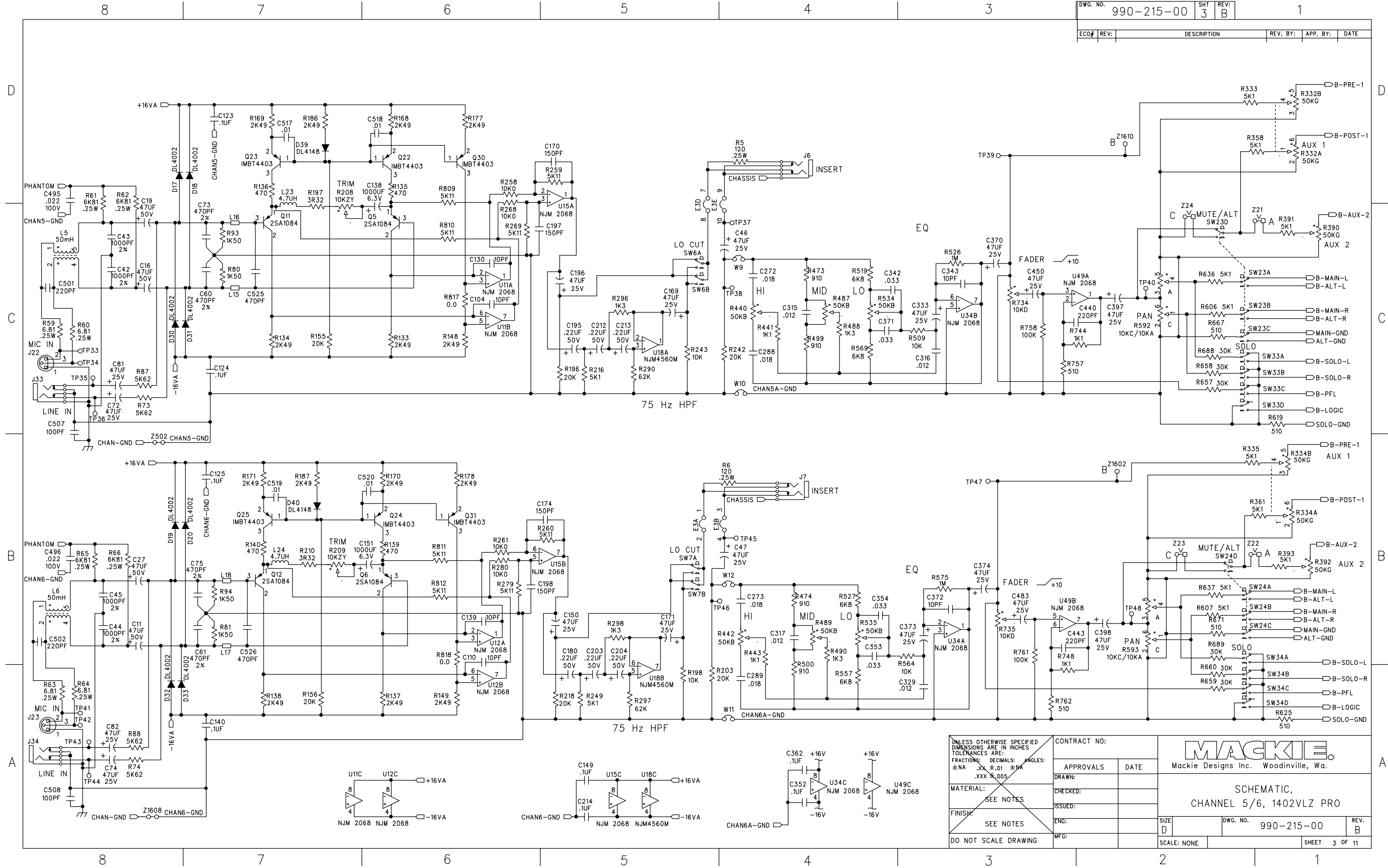
DWG. NO.	990-215-00	SHT	1	REV:	B
REV:	ECOD	DESCRIPTION	REV. BY:	APP. BY:	DATE
B	2074	SOME C'S AND R'S FROM 5X TO 2X	KR		2-5-99
	2141	REVISE PANEL ROUTING TO CLEAR CAPS			
	2161	MOVE CAPS FOR RADIAL INSERTION			
	2165	ADD LABEL TO B.O.M.			



<p>UNLESS OTHERWISE SPECIFIED DIMENSIONS ARE IN INCHES. TOLERANCES ARE:</p> <p>FRACTIONS: DECIMALS: ANGLES:</p> <p>±.NA .XX ±.01 ±.NA</p> <p>.XXX ±.005</p> <p>MATERIAL: SEE NOTES</p> <p>FINISH: SEE NOTES</p> <p>DO NOT SCALE DRAWING</p>	CONTRACT NO:		<p>MACKIE</p> <p>Mackie Designs Inc. Woodinville, Wa.</p> <p>SCHEMATIC, CHANNEL 1/2, 1402VLZ PRO</p>
	APPROVALS:	DATE:	
	CHECKED:	ISSUED:	
	ENG: MAP FOR CW	11-10-98	
DWG. NO. 990-215-00		REV. B	SCALE: NONE
SHEET 1 OF 11			



UNLESS OTHERWISE SPECIFIED DIMENSIONS ARE IN INCHES TOLERANCES ARE: FRACTIONS: DECIMALS: ANGLES: ±.NA .XX ±.01 ±.NA .XXX ±.005		CONTRACT NO:		Mackie Designs Inc. Woodinville, Wa.	
MATERIAL: SEE NOTES		APPROVALS	DATE		
FINISH: SEE NOTES		CHECKED:	ISSUED:	SCHEMATIC, CHANNEL 3/4, 1402VLZ PRO	
DO NOT SCALE DRAWING		ENG:	MFG:		
				SCALE: NONE	SHEET 2 OF 11

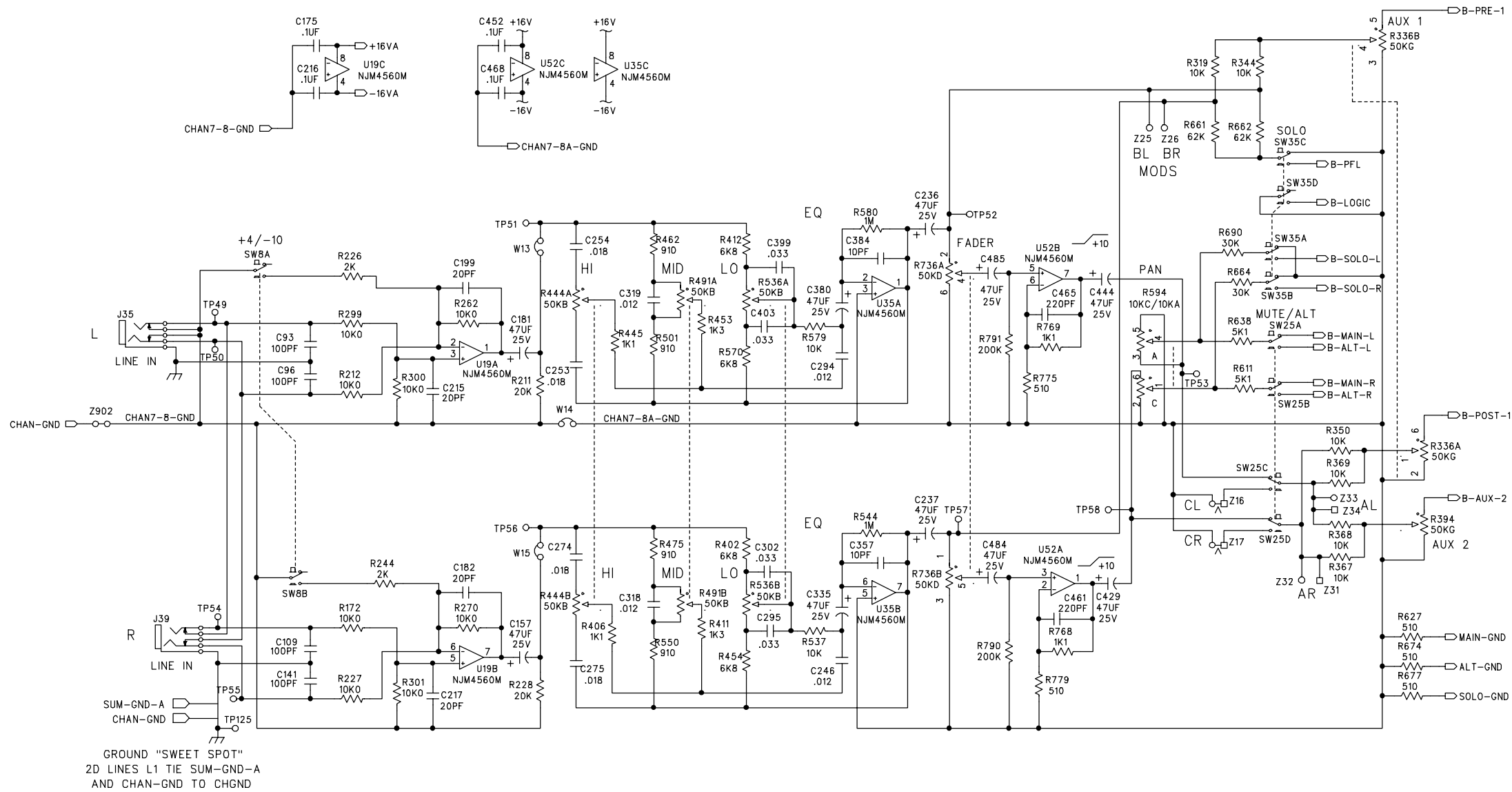


UNLESS OTHERWISE SPECIFIED DIMENSIONS ARE IN INCHES TOLERANCES ARE: FRACTIONS: DECIMALS: ANGLES: ±.NA .XX ±.01 ±.NA .XXX ±.005		CONTRACT NO.:	
MATERIAL: SEE NOTES		APPROVALS:	DATE:
FINISH: SEE NOTES		CHECKED:	ISSUED:
DO NOT SCALE DRAWING		ENG:	MFG:

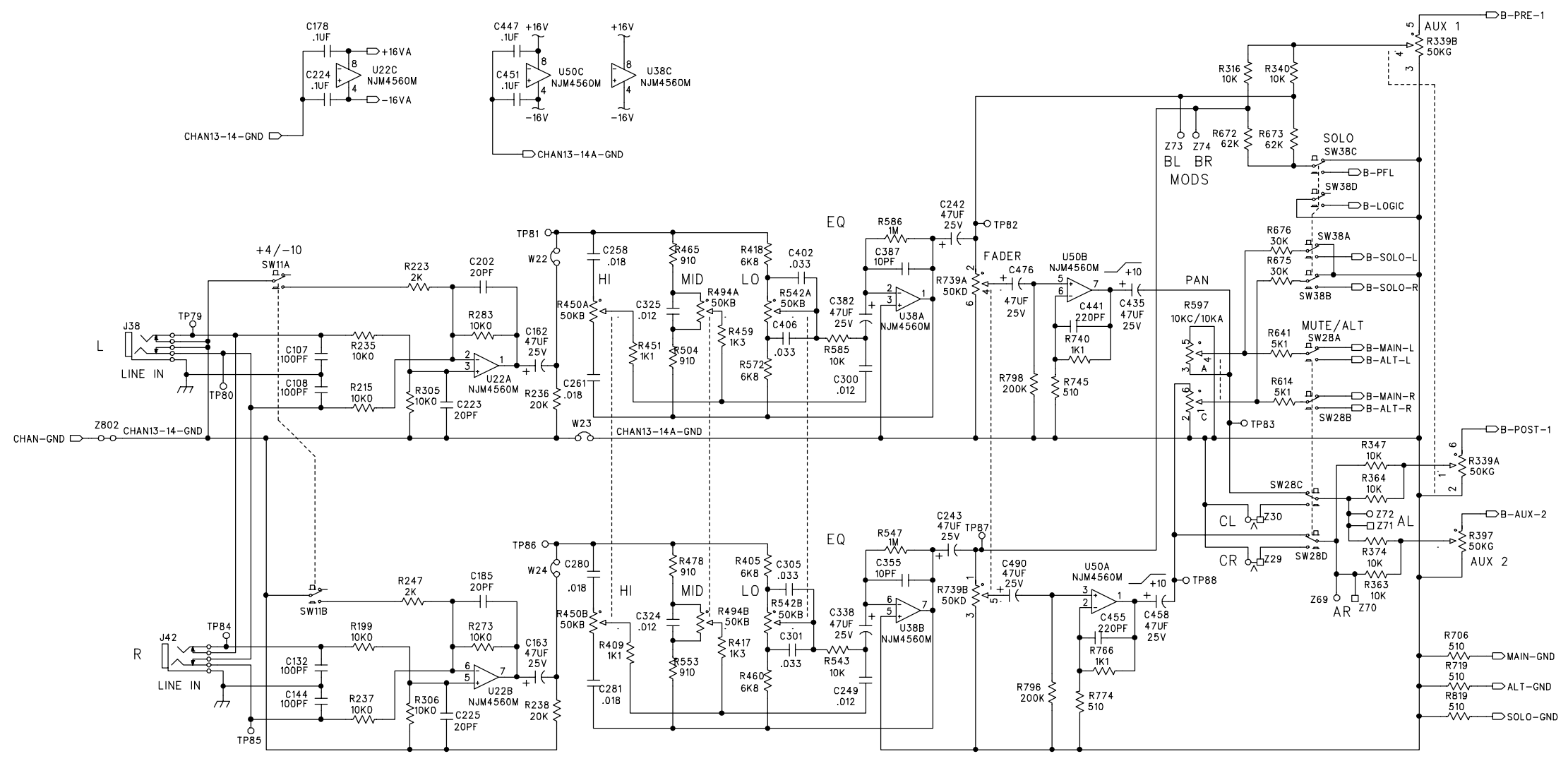
Mackie Designs Inc. Woodinville, Wa.

SCHMATIC,
CHANNEL 5/6, 1402VLZ PRO

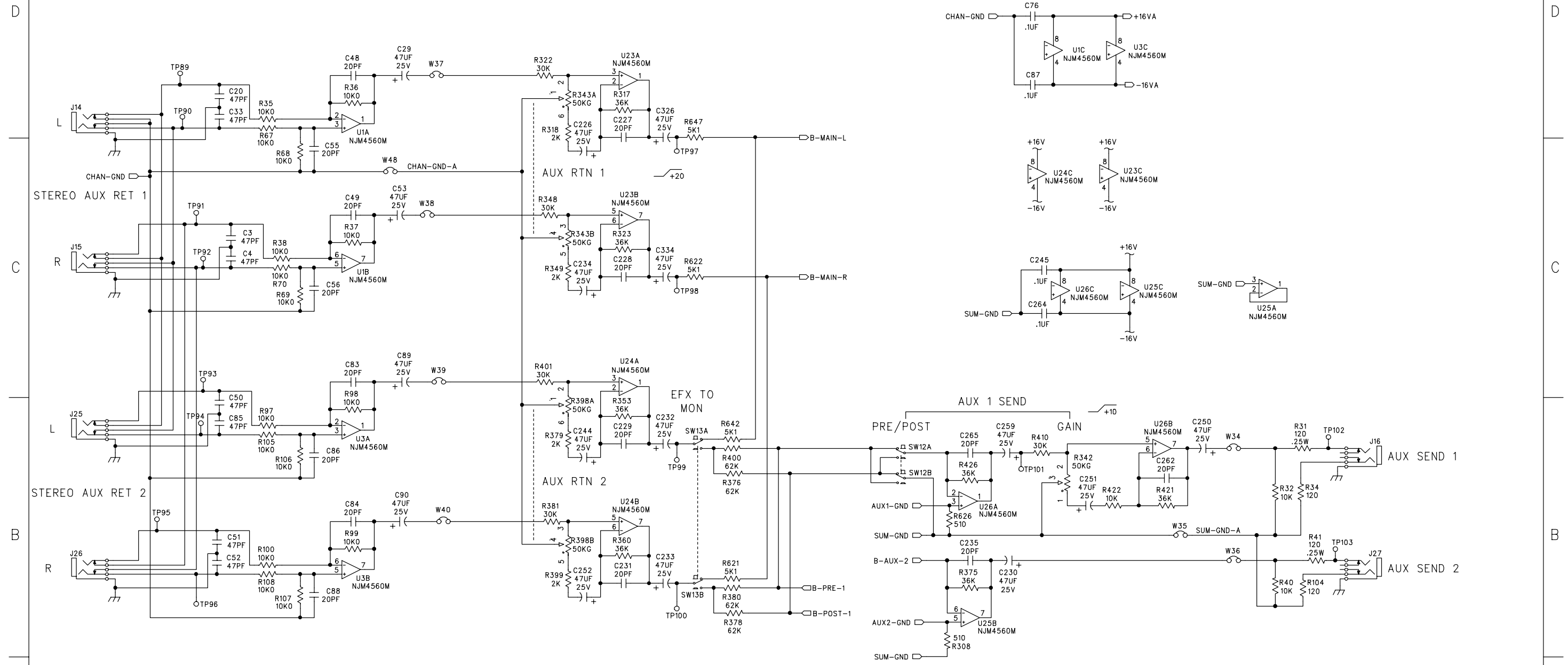
SIZE: D	DWG. NO. 990-215-00	REV. B
SCALE: NONE	SHEET 3 OF 11	



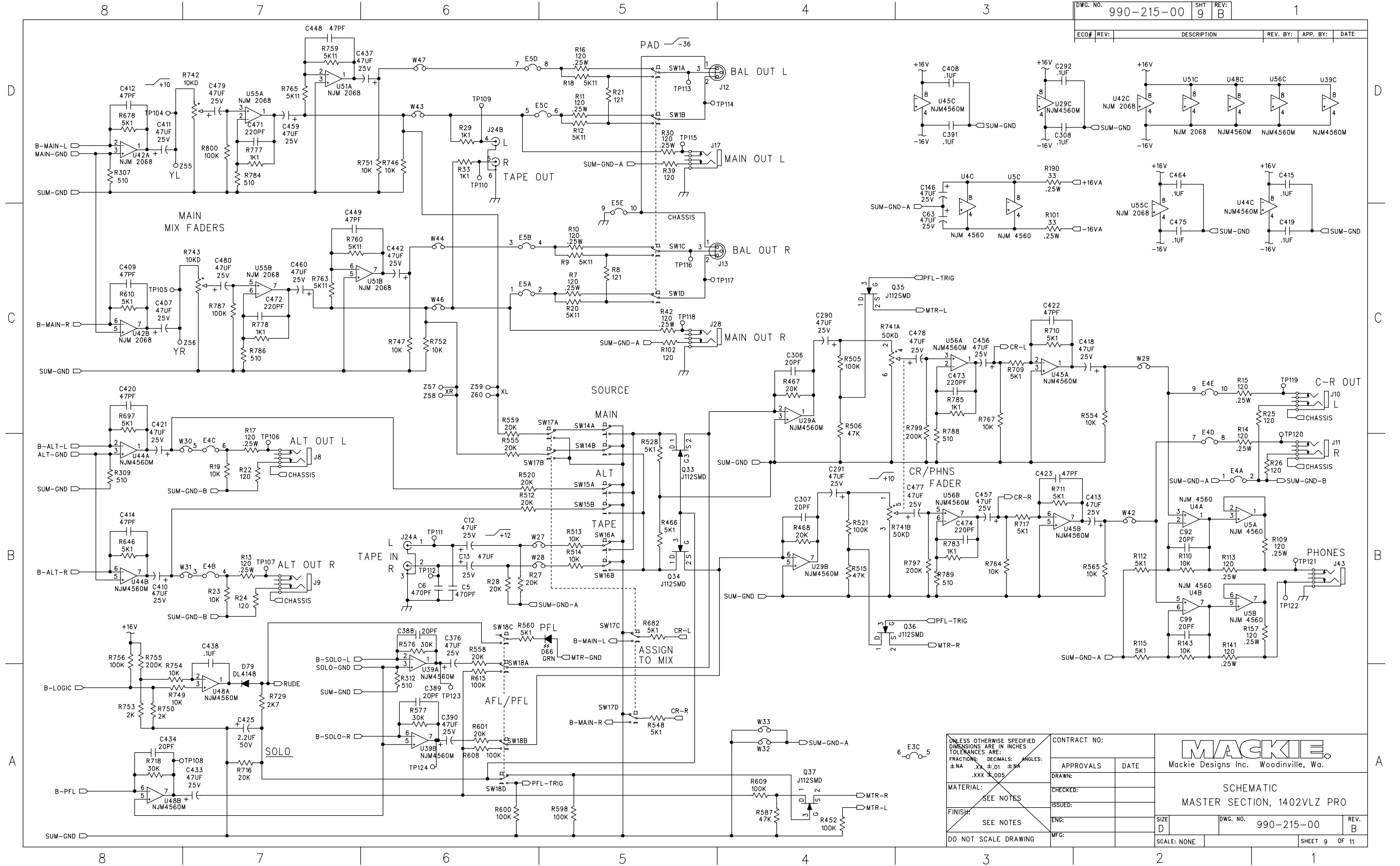
UNLESS OTHERWISE SPECIFIED DIMENSIONS ARE IN INCHES TOLERANCES ARE: FRACTIONS: DECIMALS: ANGLES: ±.NA .XX ±.01 ±NA .XXX ±.005	CONTRACT NO:		 Mackie Designs Inc. Woodinville, Wa.		
	APPROVALS	DATE			
	MATERIAL:	CHECKED:	SCHEMATIC, CHANNEL 7/8, 1402VLZ PRO		
	SEE NOTES	ISSUED:			
FINISH:	ENG:	SIZE	DWG. NO.	REV.	
DO NOT SCALE DRAWING	MFG:	SCALE: NONE	990-215-00	B	



UNLESS OTHERWISE SPECIFIED DIMENSIONS ARE IN INCHES TOLERANCES ARE: FRACTIONS: .XX ±.01 ±.005 DECIMALS: .XXX ±.005 ANGLES: MATERIAL: SEE NOTES FINISH: SEE NOTES DO NOT SCALE DRAWING	CONTRACT NO:		MACKIE Mackie Designs Inc. Woodinville, Wa.	
	APPROVALS	DATE		
	DRAWN:	CHECKED:	SCHEMATIC, CHANNEL 13/14, 1402VLZ PRO	
	ISSUED:	ENG:		
MFG:	SCALE: NONE	SIZE D	DWG. NO. 990-215-00	REV. B
			SHEET 7 OF 11	



UNLESS OTHERWISE SPECIFIED DIMENSIONS ARE IN INCHES TOLERANCES ARE: FRACTIONS: DECIMALS: ANGLES: ±NA .XX ±.01 ±MA .XXX ±.005	CONTRACT NO:		MACKIE. Mackie Designs Inc. Woodinville, Wa.	
	APPROVALS	DATE		
	MATERIAL:	CHECKED:	SCHEMATIC	
	FINISH:	ISSUED:	MASTER SECTION, 1402VLZ PRO	
DO NOT SCALE DRAWING	ENG:	SIZE	DWG. NO. 990-215-00	REV. B
	MFG:	SCALE: NONE	SHEET 8 OF 11	

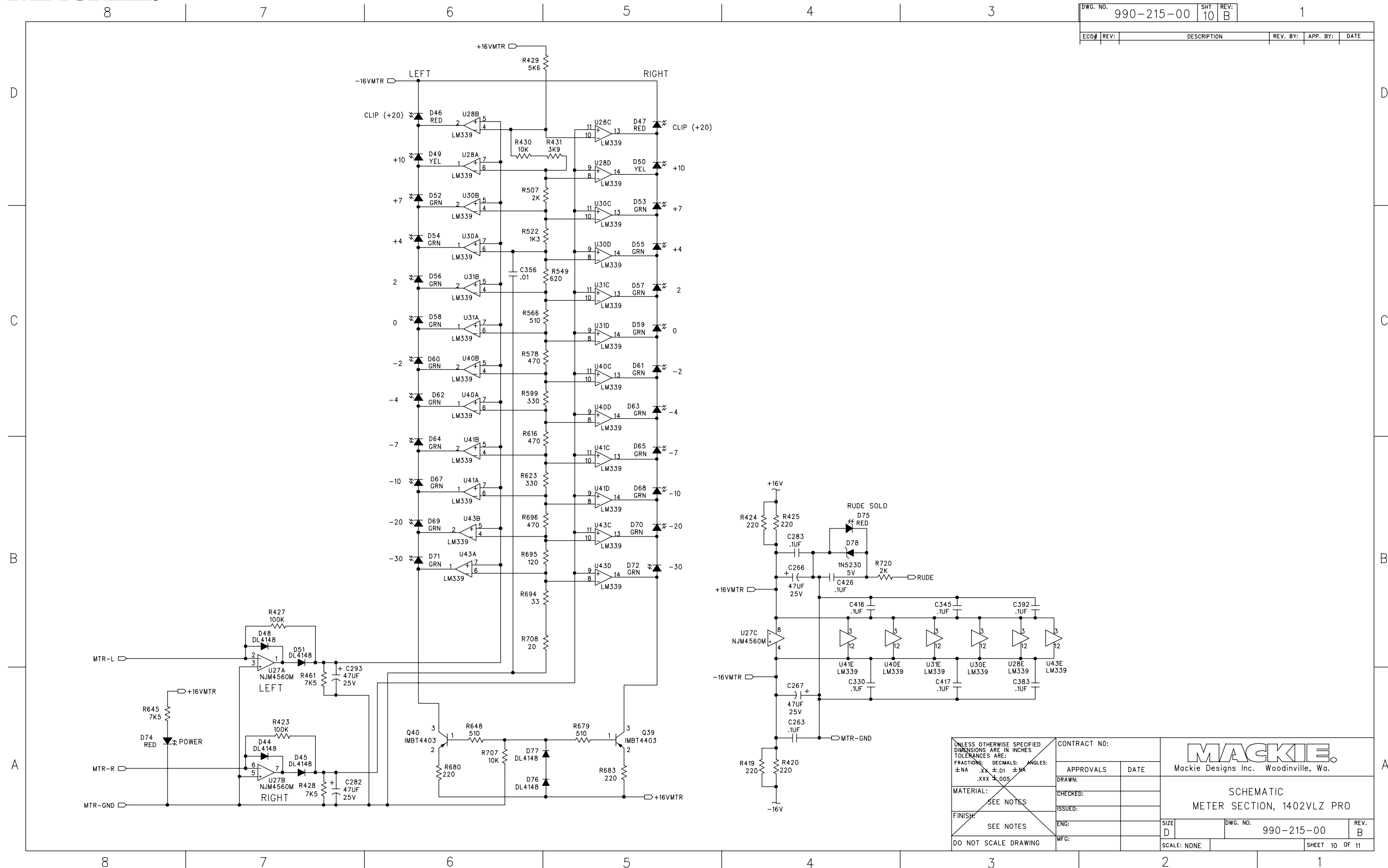


UNLESS OTHERWISE SPECIFIED DIMENSIONS ARE IN INCHES TOLERANCES ARE:
 FRACTIONS: DECIMALS: ANGLES:
 ±.NA .XX ±.01 ±.NA
 .XXX ±.005

MATERIAL: SEE NOTES
 FINISH: SEE NOTES
 DO NOT SCALE DRAWING

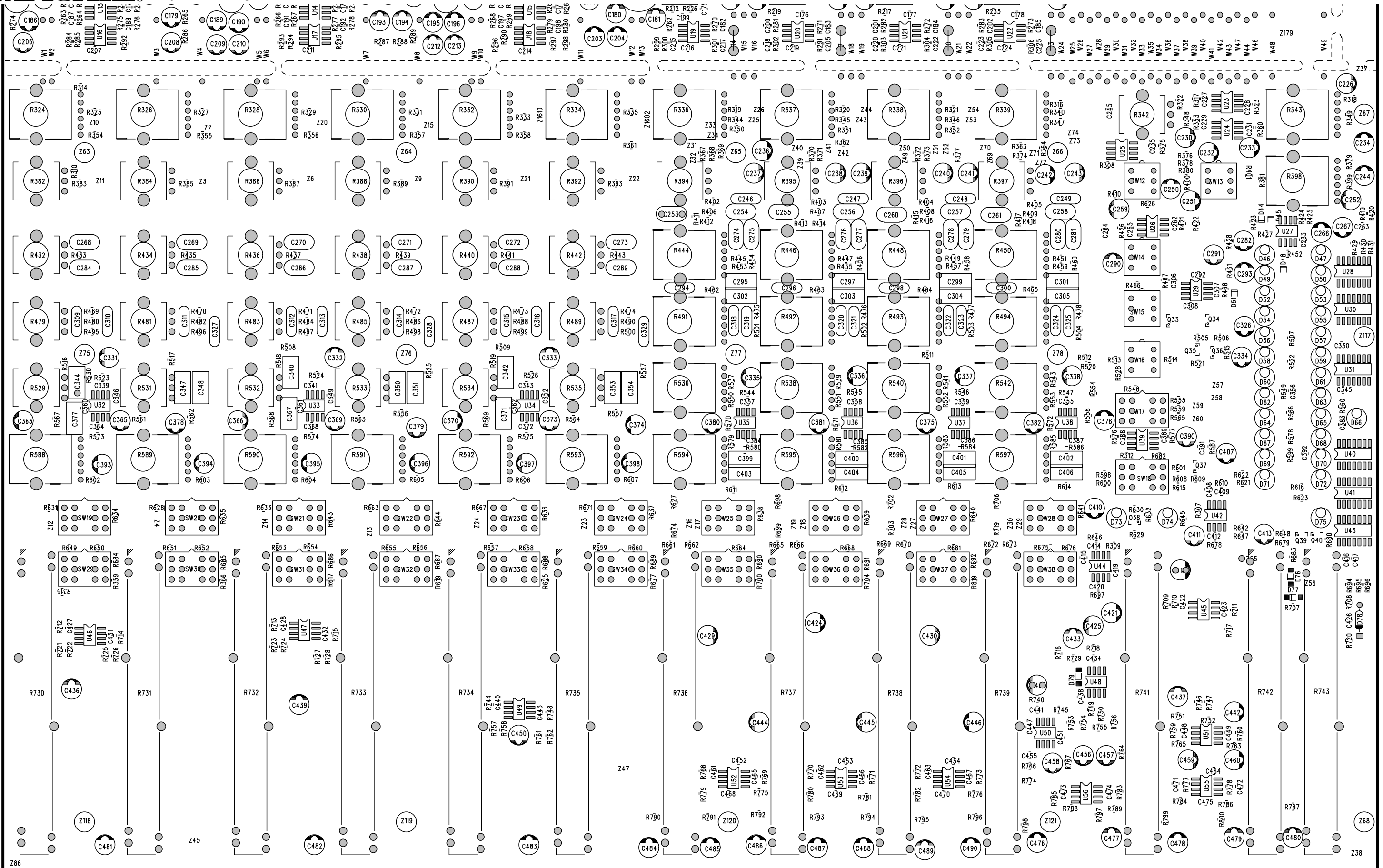
CONTRACT NO:	
APPROVALS	DATE
DRAWN:	
CHECKED:	
ISSUED:	
ENG:	
MFG:	

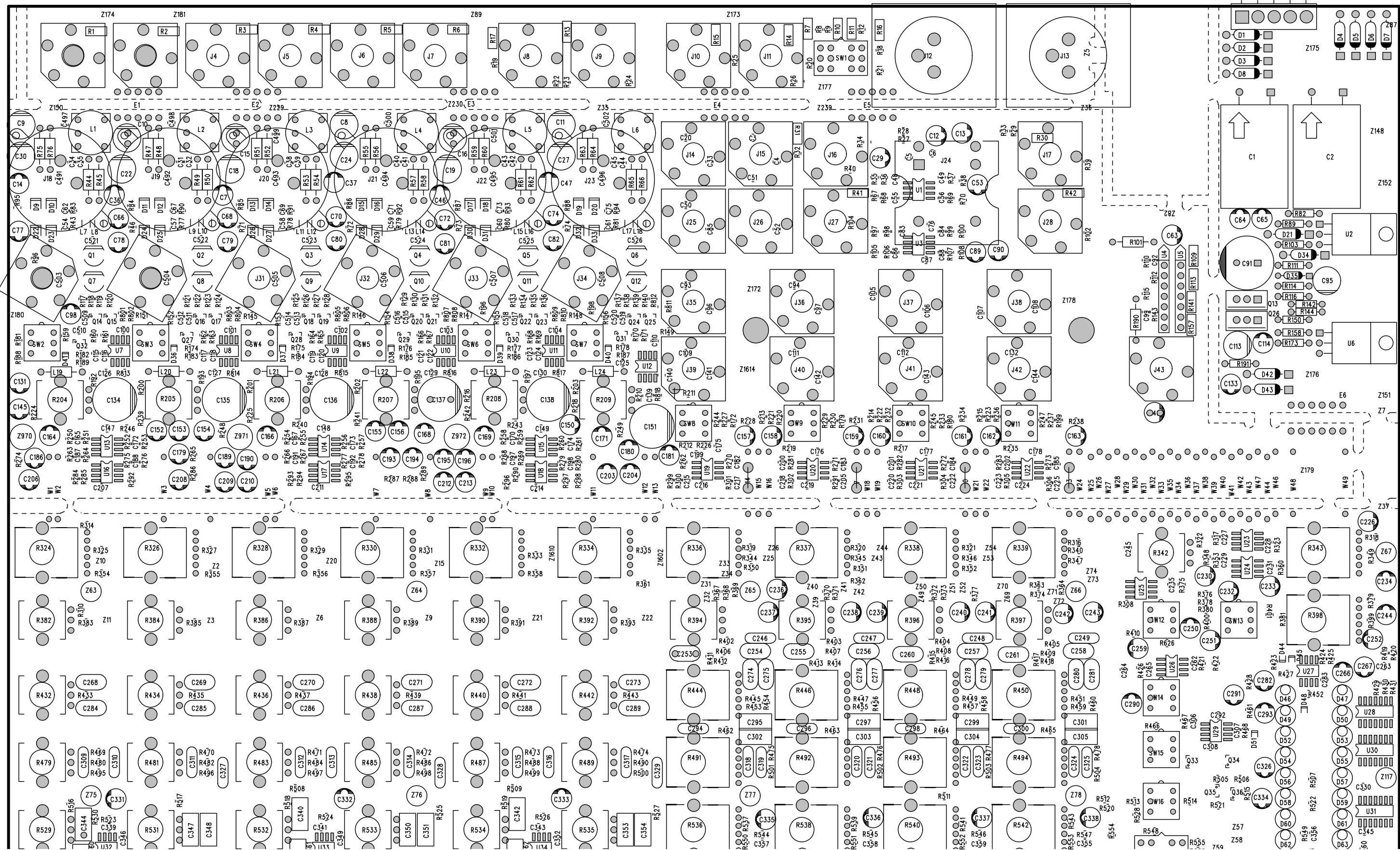
MACKIE Mackie Designs Inc. Woodinville, Wa.			
SCHEMATIC MASTER SECTION, 1402VLZ PRO			
SIZE	DWG. NO.	REV.	
D	990-215-00	B	
SCALE: NONE	SHEET 9 OF 11		

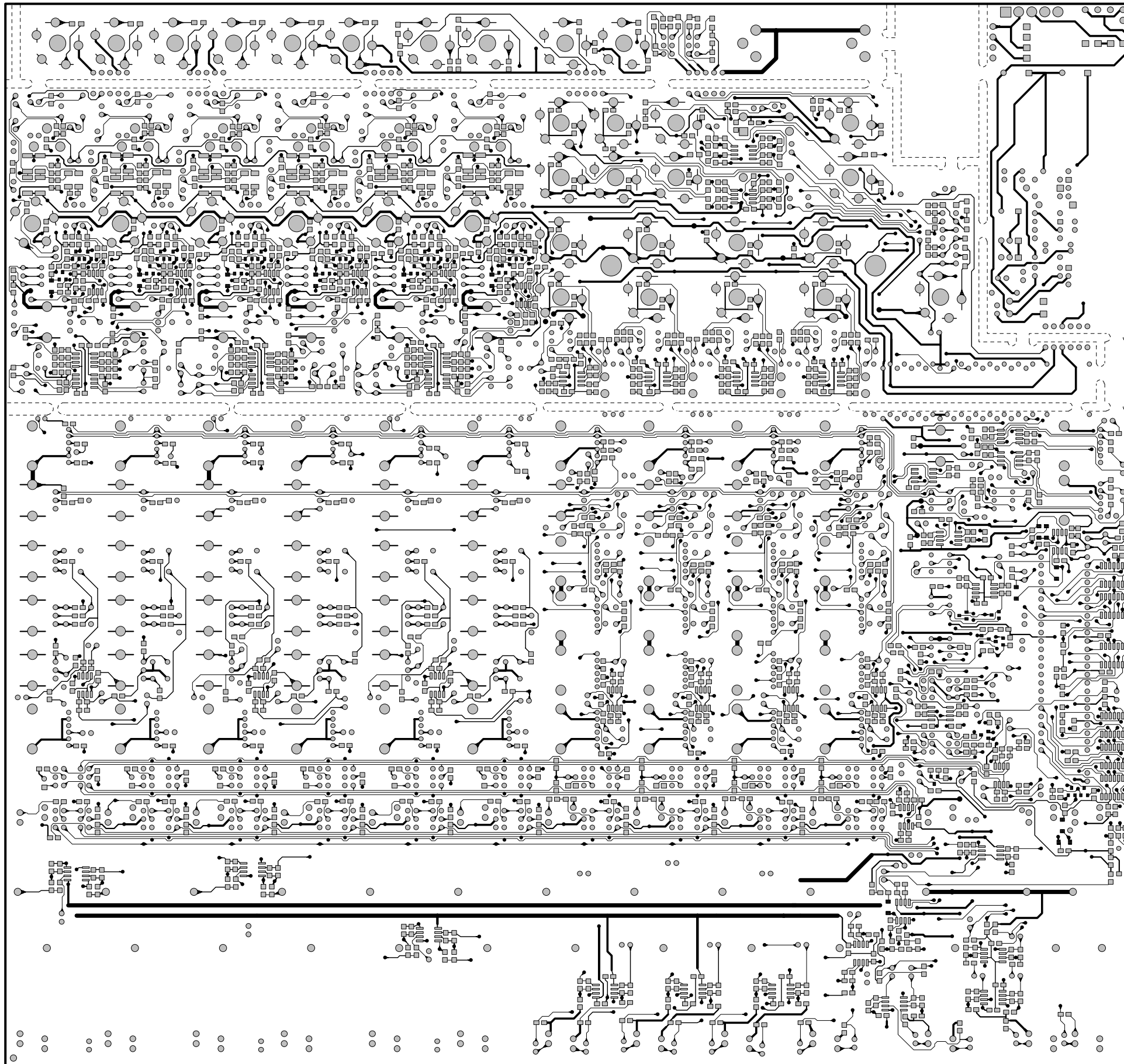


UNLESS OTHERWISE SPECIFIED DIMENSIONS ARE IN INCHES TOLERANCES ARE: FRACTIONS: DECIMALS: ANGLES: ±.01 ±.005 ±.01 ±.005	CONTRACT NO:		MACKIE Mackie Designs Inc. Woodinville, Wa.	
	APPROVALS	DATE		
	DRAWN:		CHECKED:	
	ISSUED:		ENG:	
MATERIAL:		MFG:		SIZE D DWG. NO. 990-215-00 REV. B SCALE: NONE SHEET 10 OF 11
FINISH:		DO NOT SCALE DRAWING		

215-10 MAIN BOARD 215 REV B



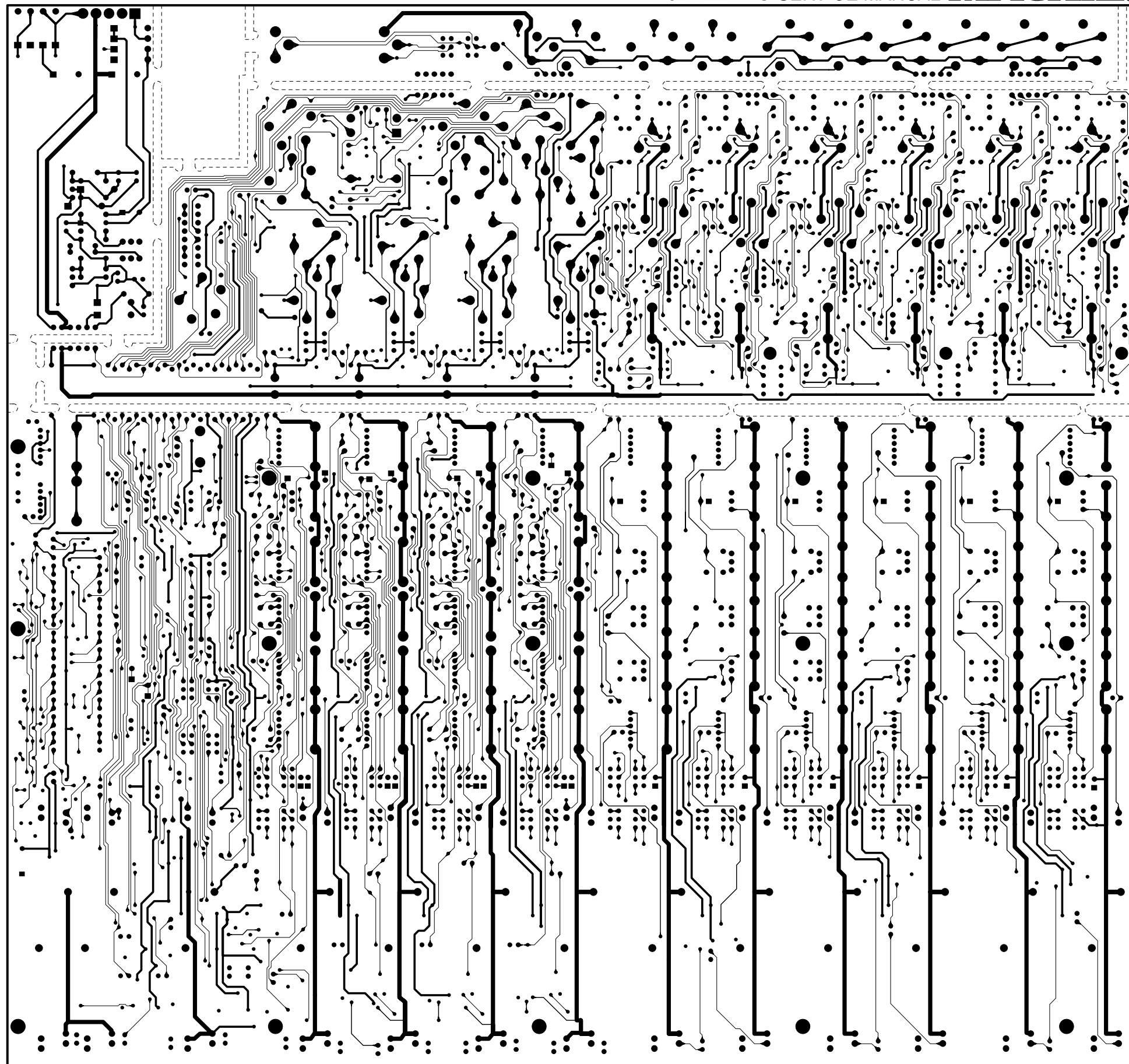




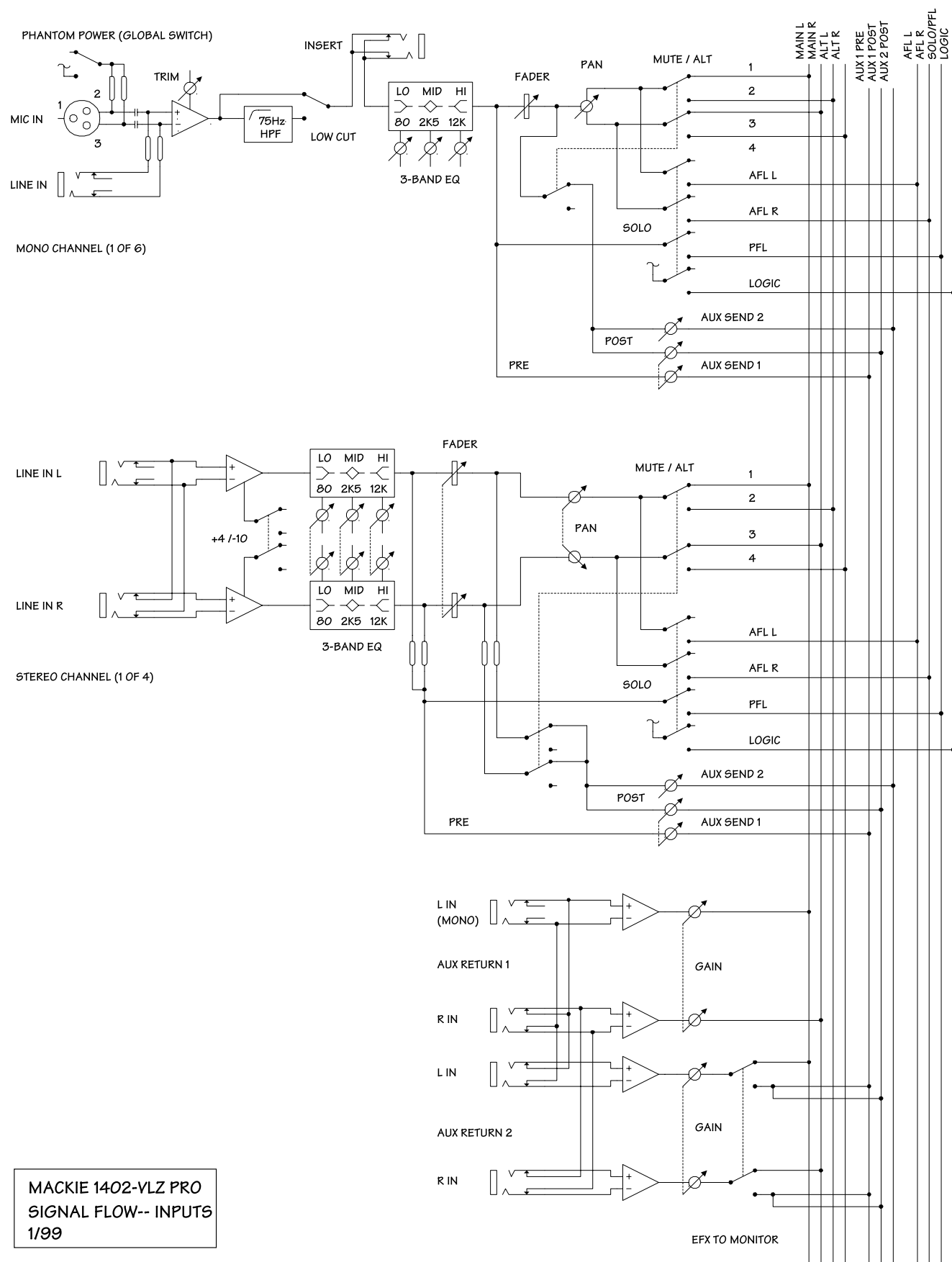
TOP TRACES

215-14

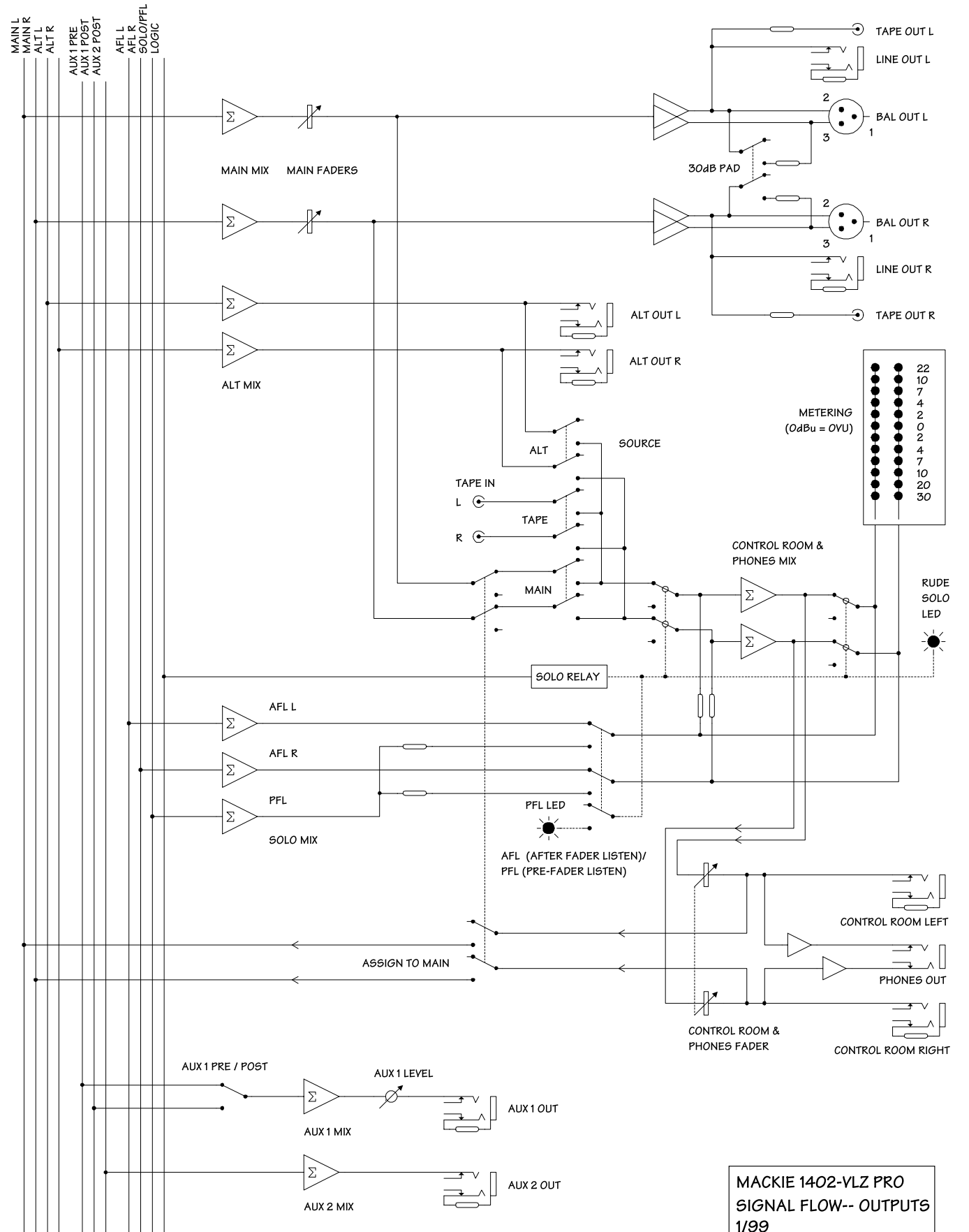
MAIN BOARD 215 REV B



BOTTOM TRACES



MACKIE 1402-VLZ PRO
SIGNAL FLOW-- INPUTS
1/99



MACKIE 1402-VLZ PRO
SIGNAL FLOW-- OUTPUTS
1/99