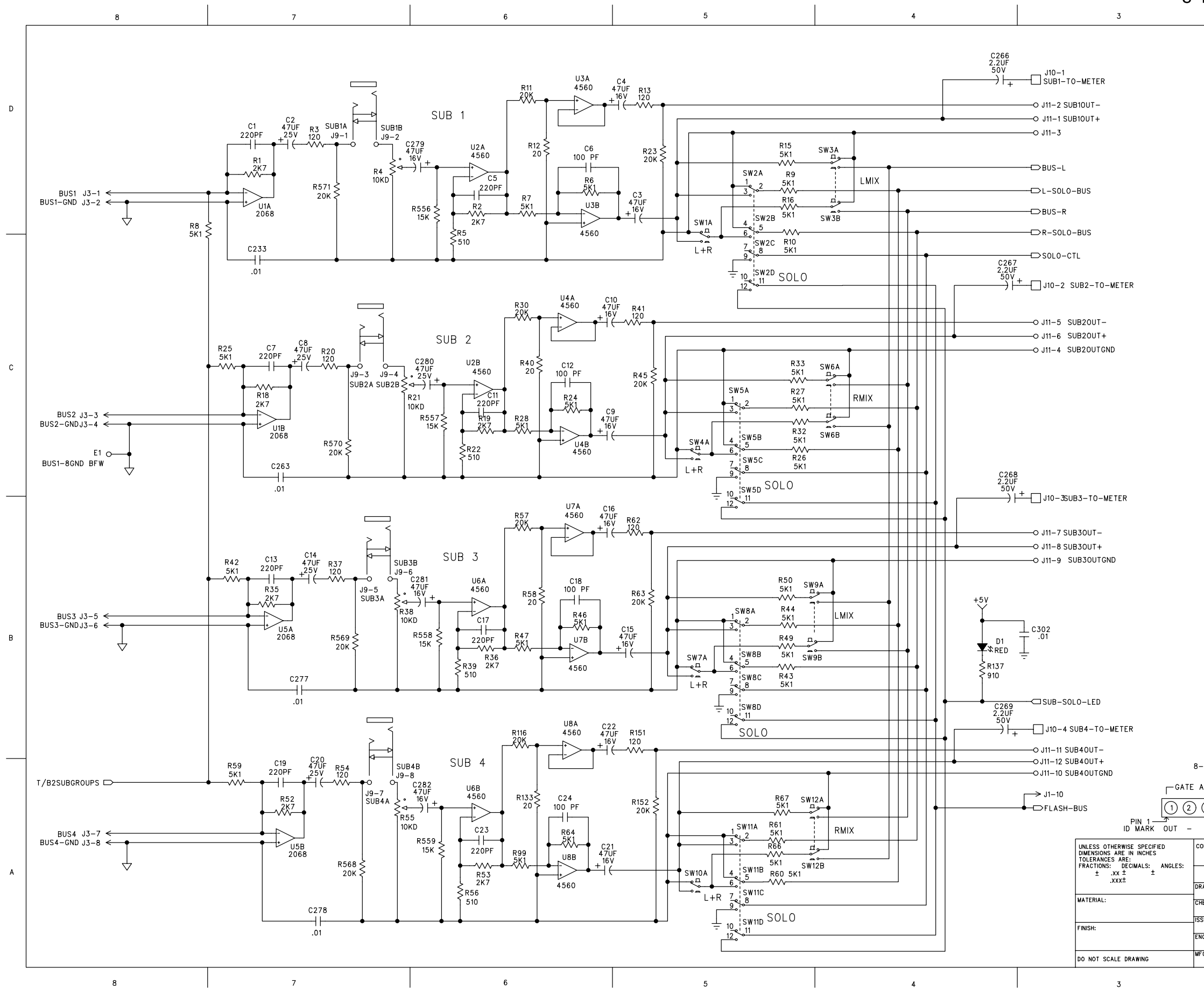


DWG. NO. 990-010-00 SHT 1 REV: U

REVISIONS			
REV:	ECO:	DESCRIPTION	REV BY: APP BY: DATE
C		INCORP ECO 52	trh JC 9-28-93
D	58	ADDED R611, D21	trh JC 10-13-93
E	66	ARTWORK REVISED FOR SOLDERABILITY	trh JC 11-02-93
F	69	DELETED RESISTORS ADDED WITH ECO 52	trh 11-16-93
G	109	U57 WAS NJM2043, REVISED NJM2068.	trh 12-28-93
H		SPREAD APART LYTICS	trh 1-19-94
J	145 158	PHASE 1 ; DIODE HOLES WERE .032	trh JGG 4-17-94
K		INCORP ECO'S:189,193,307,545,568,588.	KR 9-12-95
L		INCORP ECO'S:427,631,727,852.	KR ES 2-16-96
S	987 993	AUTO INSERT LED'S SOLDER BRIDGE REDUCTION	KR 11-15-96
T	921 926 1223 1284 1294 1387 1406 1410 1411 1454	LARGE CORE SWITCHES LARGE CORE BUTTONS AUTO INSERT LED'S TO .038 HOLE SIZE AUTO INSERT 25C3792'S REMOVE MADE IN U.S.A. NOTE SNAP IN SWITCHES NO STEP SHAFT 50KG DUAL SOLDER BRIDGE REDUCTION SCORE PANEL & ADD MATERIAL 8-PIN SIP 4560'S	KR 1-6-98
U	1490	INCORPORATE ECO'S: 987,993,921,926,1223, 1284,1294,1387,1406,1410,1411,1454.	KR 2-3-98

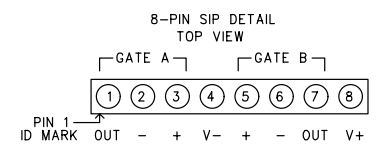
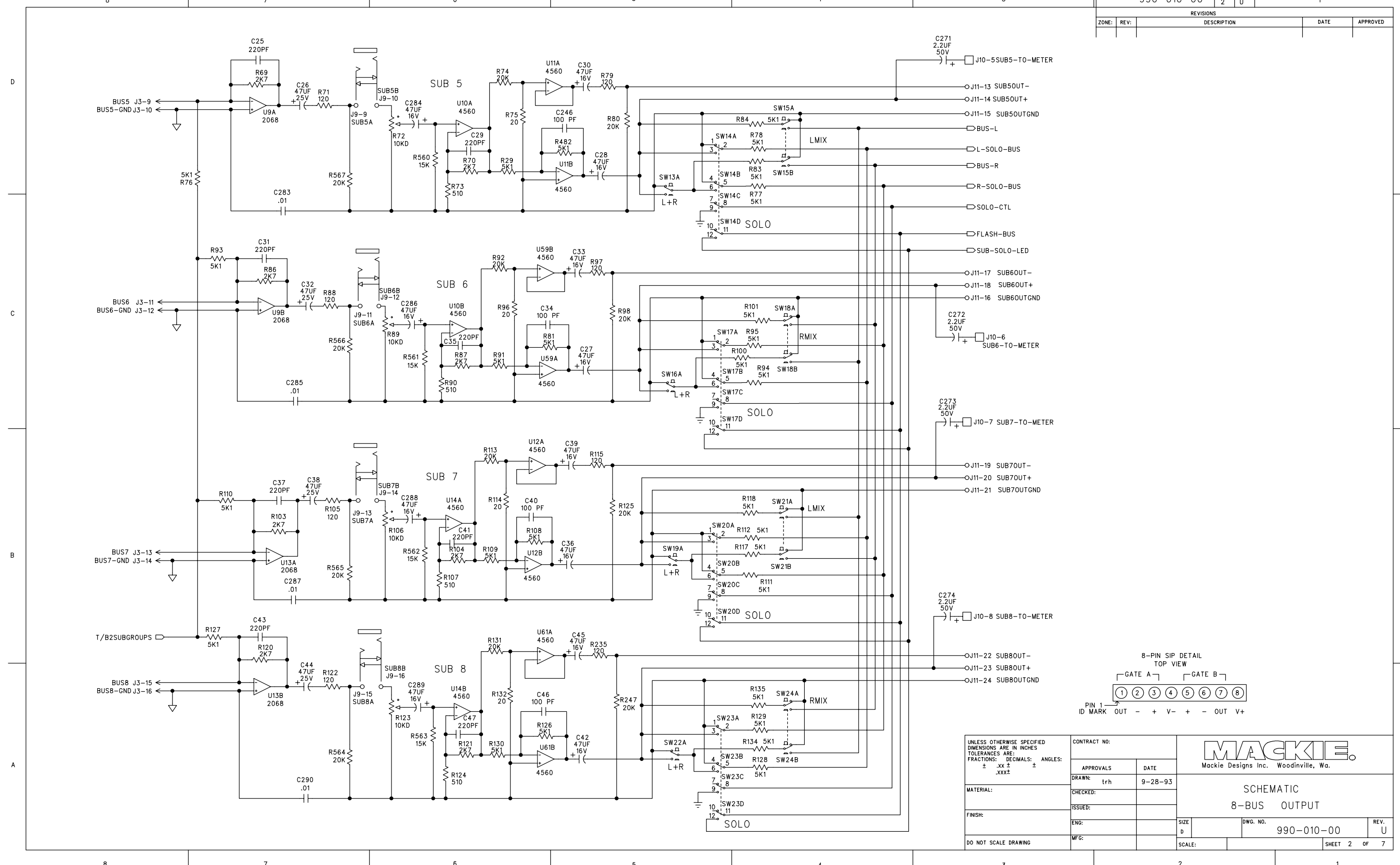


8-PIN SIP DETAIL
TOP VIEW

PIN 1 ID MARK OUT - + V- + - OUT V+

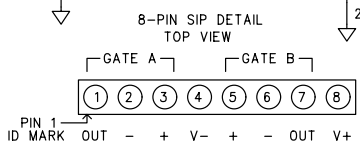
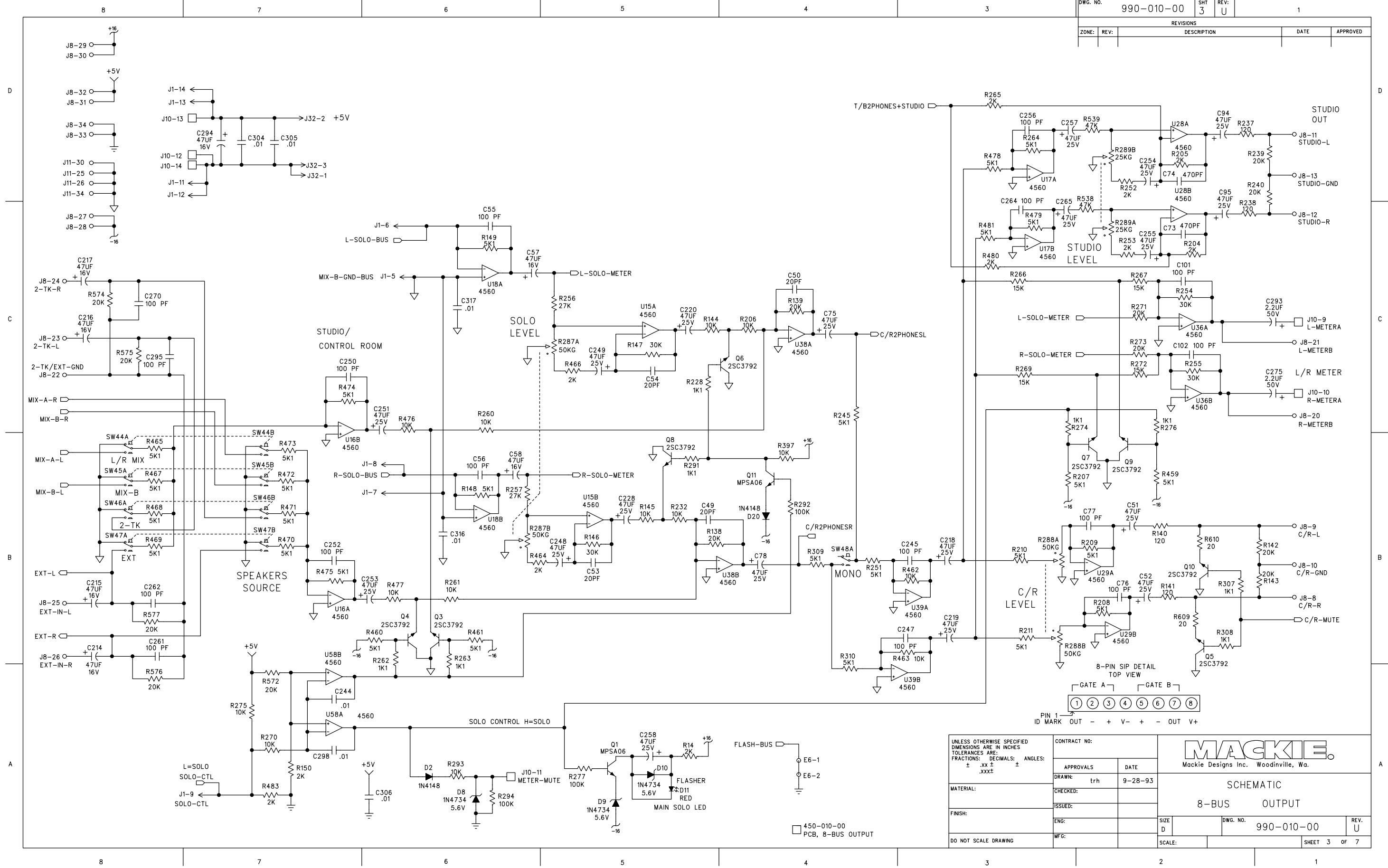
UNLESS OTHERWISE SPECIFIED DIMENSIONS ARE IN INCHES TOLERANCES ARE: FRACTIONS: DECIMALS: ANGLES: ±.xx ± .xxx±		CONTRACT NO:		MACKIE Mackie Designs Inc. Woodinville, Wa.	
MATERIAL:		APPROVALS	DATE		
FINISH:		CHECKED: trh	6-23-93	SCHEMATIC 8-BUS OUTPUT	
DO NOT SCALE DRAWING		ISSUED: CJ	7-9-93		
		ENG: CR	7-9-93	SIZE	DWG. NO. 990-010-00
		MFG:		SCALE:	SHEET 1 OF 7

REVISIONS			DATE	APPROVED
ZONE:	REV:	DESCRIPTION		



UNLESS OTHERWISE SPECIFIED DIMENSIONS ARE IN INCHES TOLERANCES ARE: FRACTIONS: DECIMALS: ANGLES: ± .xx ± .xxx±	CONTRACT NO:			
	APPROVALS	DATE		
	MATERIAL:	CHECKED:	SCHEMATIC	
	FINISH:	ISSUED:	8-BUS OUTPUT	
DO NOT SCALE DRAWING	ENG:	SIZE D	DWG. NO. 990-010-00	REV. U
	MFG:	SCALE:	SHEET 2 OF 7	

REVISIONS		DATE	APPROVED
REV:	DESCRIPTION		



UNLESS OTHERWISE SPECIFIED DIMENSIONS ARE IN INCHES TOLERANCES ARE: FRACTIONS: DECIMALS: ANGLES: ±.xx ±.xxx±

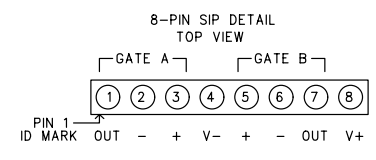
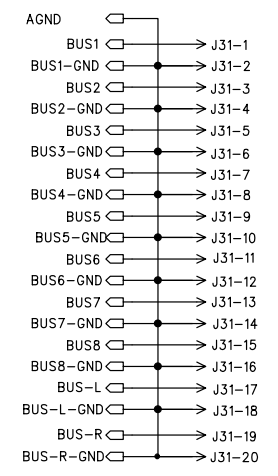
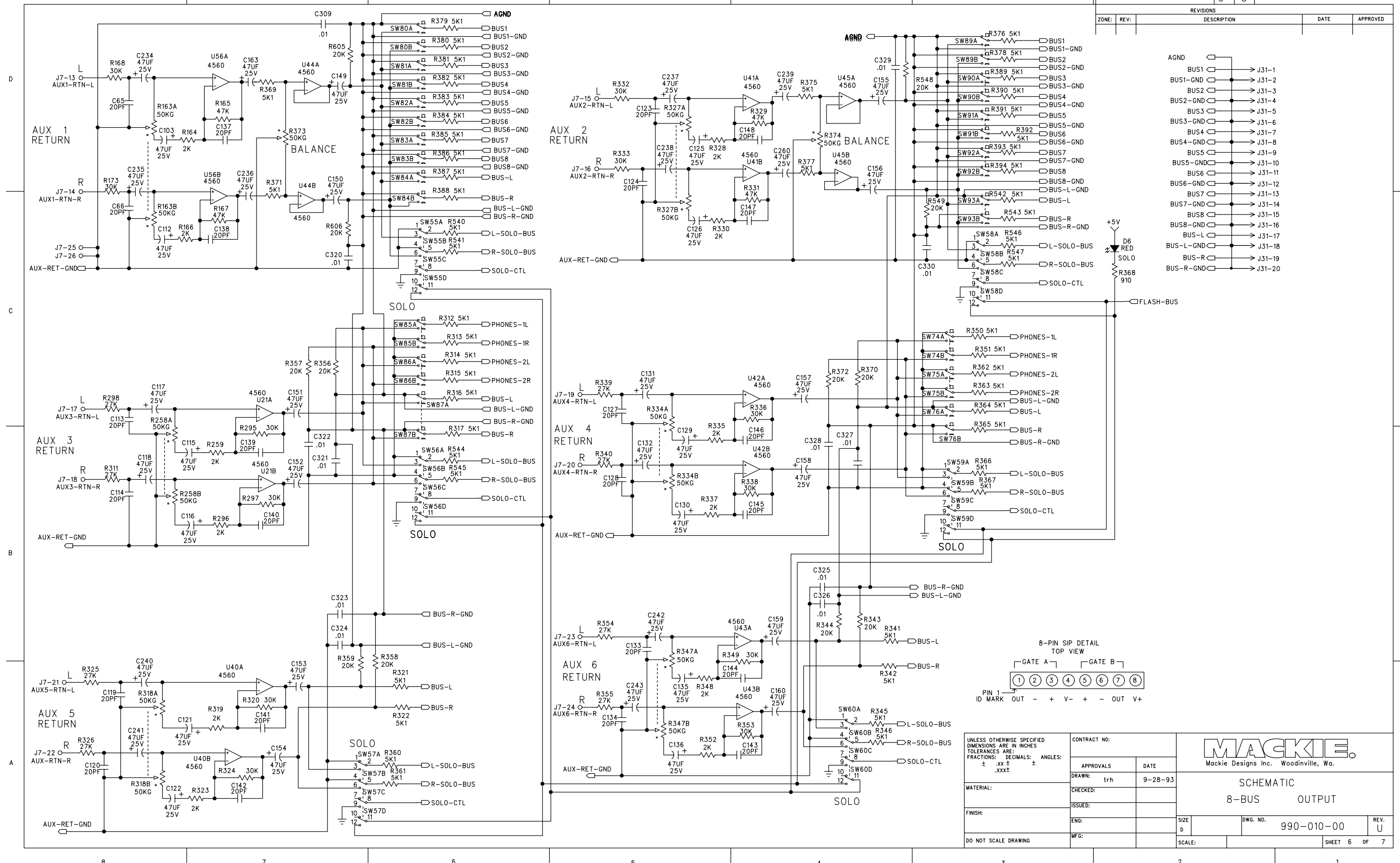
CONTRACT NO:	
APPROVALS	DATE
DRAWN: trh	9-28-93
CHECKED:	
ISSUED:	
ENG:	
MFG:	
DO NOT SCALE DRAWING	

MACKIE
Mackie Designs Inc. Woodinville, Wa.

SCHEMATIC
8-BUS OUTPUT

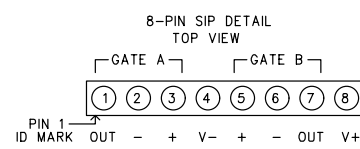
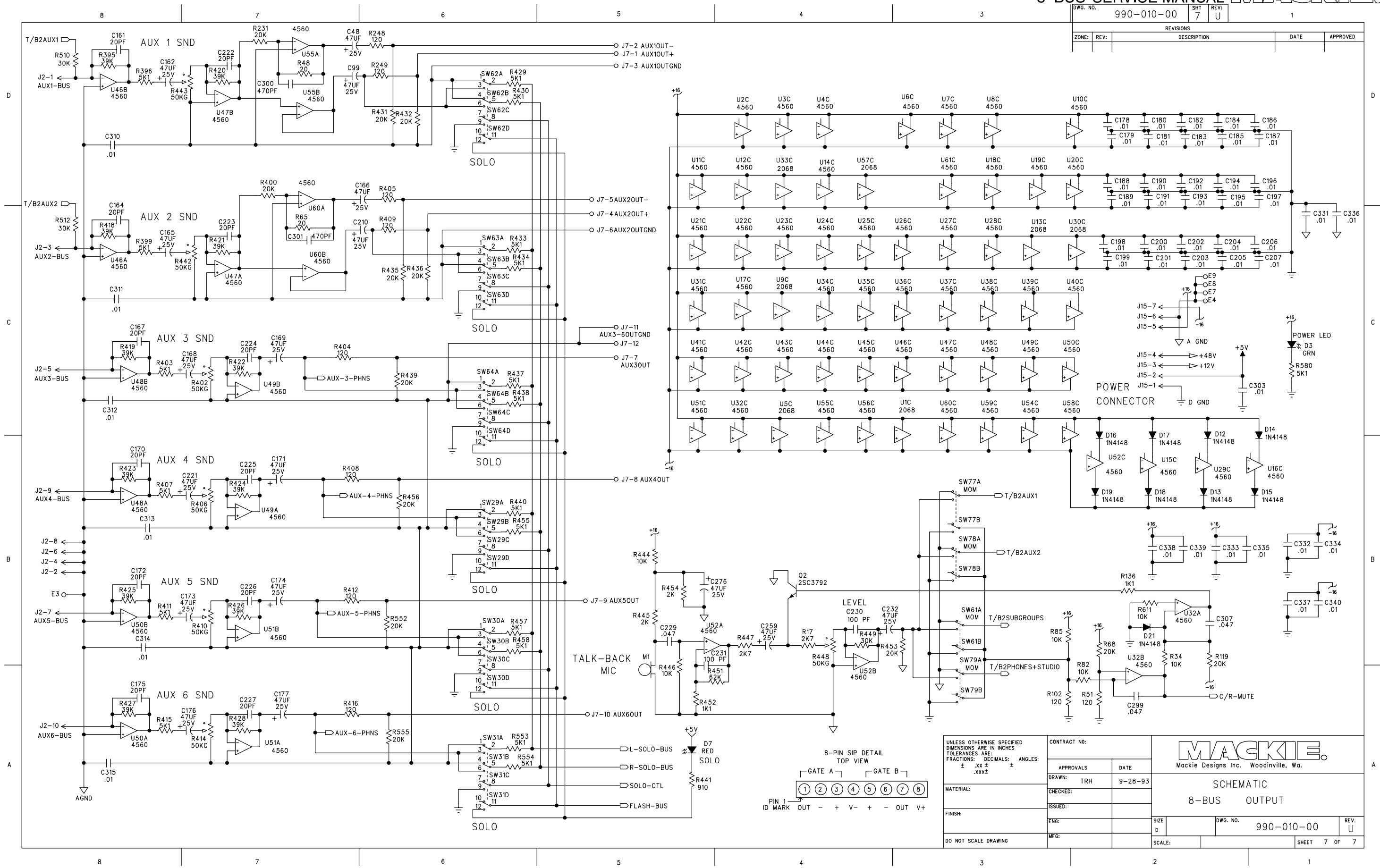
SIZE D	DWG. NO. 990-010-00	REV. U
SCALE:	SHEET 3 OF 7	

REVISIONS				
ZONE:	REV:	DESCRIPTION	DATE	APPROVED



UNLESS OTHERWISE SPECIFIED DIMENSIONS ARE IN INCHES TOLERANCES ARE: FRACTIONS: DECIMALS: ANGLES: ± .xx ± .xxx ±	CONTRACT NO:		Mackie Designs Inc. Woodinville, Wa.		
	APPROVALS	DATE			
	MATERIAL:	CHECKED: trh	DATE: 9-28-93	SCHEMATIC 8-BUS OUTPUT	
	FINISH:	ISSUED:	ENG:		
DO NOT SCALE DRAWING	MFG:	SIZE: D	DWG. NO. 990-010-00	REV. U	
SCALE:			SHEET 6 OF 7		

REVISIONS		DATE	APPROVED
ZONE:	REV:	DESCRIPTION	

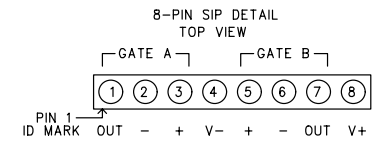
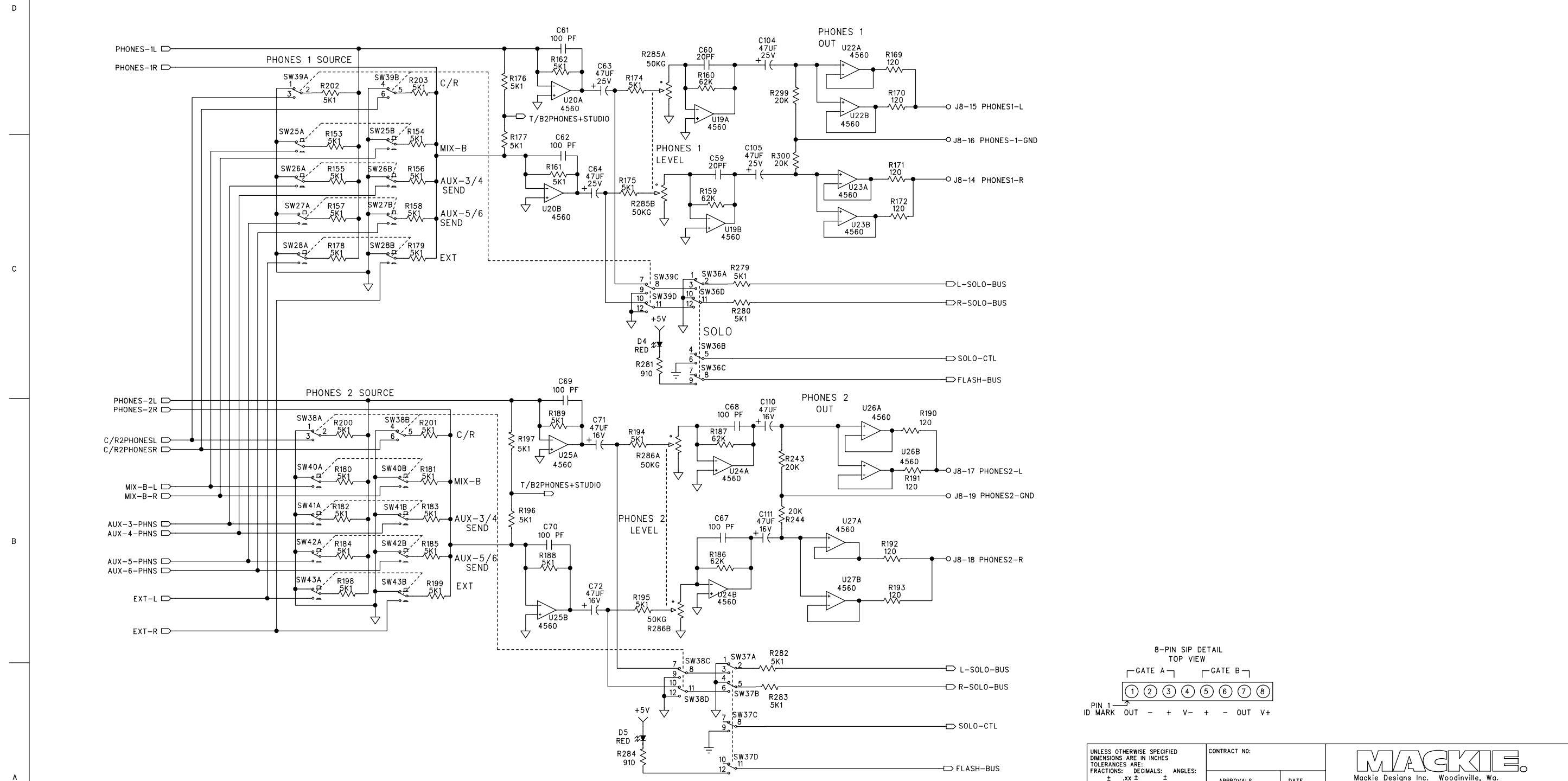


UNLESS OTHERWISE SPECIFIED DIMENSIONS ARE IN INCHES TOLERANCES ARE: FRACTIONS: DECIMALS: ANGLES: ±.xx ±.xxx±

CONTRACT NO:	
APPROVALS:	DATE:
DRAWN: TRH	9-28-93
CHECKED:	
ISSUED:	
ENG:	
MFG:	
DO NOT SCALE DRAWING	

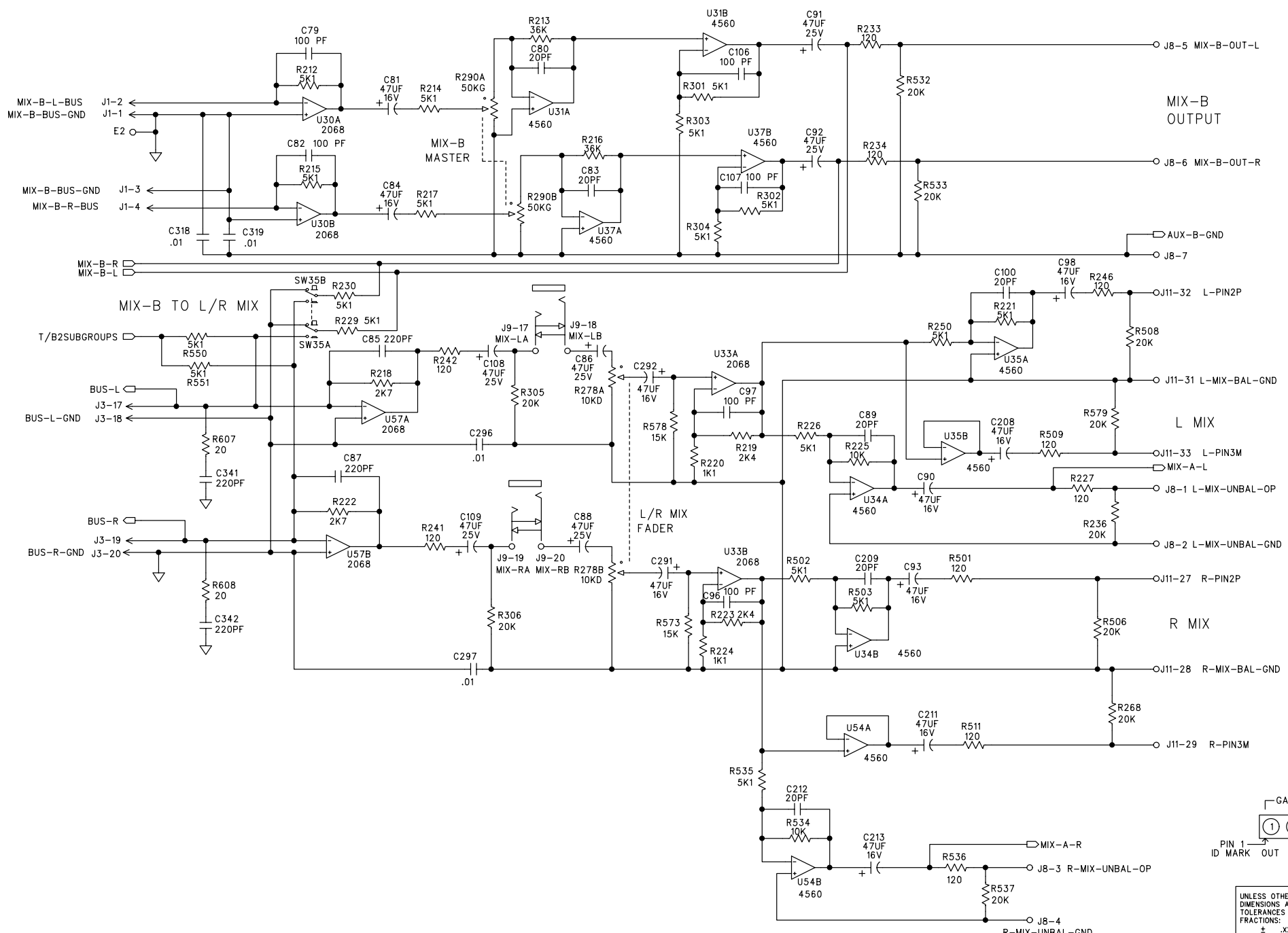
MACKIE Mackie Designs Inc. Woodville, Wa.		SCHEMATIC	
		8-BUS OUTPUT	
SIZE	DWG. NO.	REV.	
D	990-010-00	U	
SCALE:	SHEET 7 OF 7		

REVISIONS		DATE	APPROVED
ZONE:	REV:	DESCRIPTION	



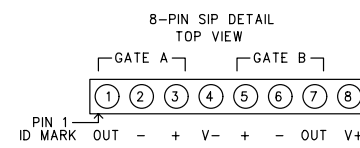
UNLESS OTHERWISE SPECIFIED DIMENSIONS ARE IN INCHES TOLERANCES ARE: FRACTIONS: .xx ± DECIMALS: .xxx ±	CONTRACT NO:		 Mackie Designs Inc. Woodinville, Wa.		
	APPROVALS:	DATE:			
MATERIAL:	DRAWN: trh	9-28-93	SCHEMATIC 8-BUS OUTPUT		
FINISH:	CHECKED:	ISSUED:			
DO NOT SCALE DRAWING	ENG:	MFG:	SIZE D	DWG. NO. 990-010-00	REV. U
			SCALE:	SHEET 4 OF 7	

DWG. NO.	990-010-00	SHT	5	REV.	U
REVISIONS					
ZONE:	REV:	DESCRIPTION	DATE	APPROVED	

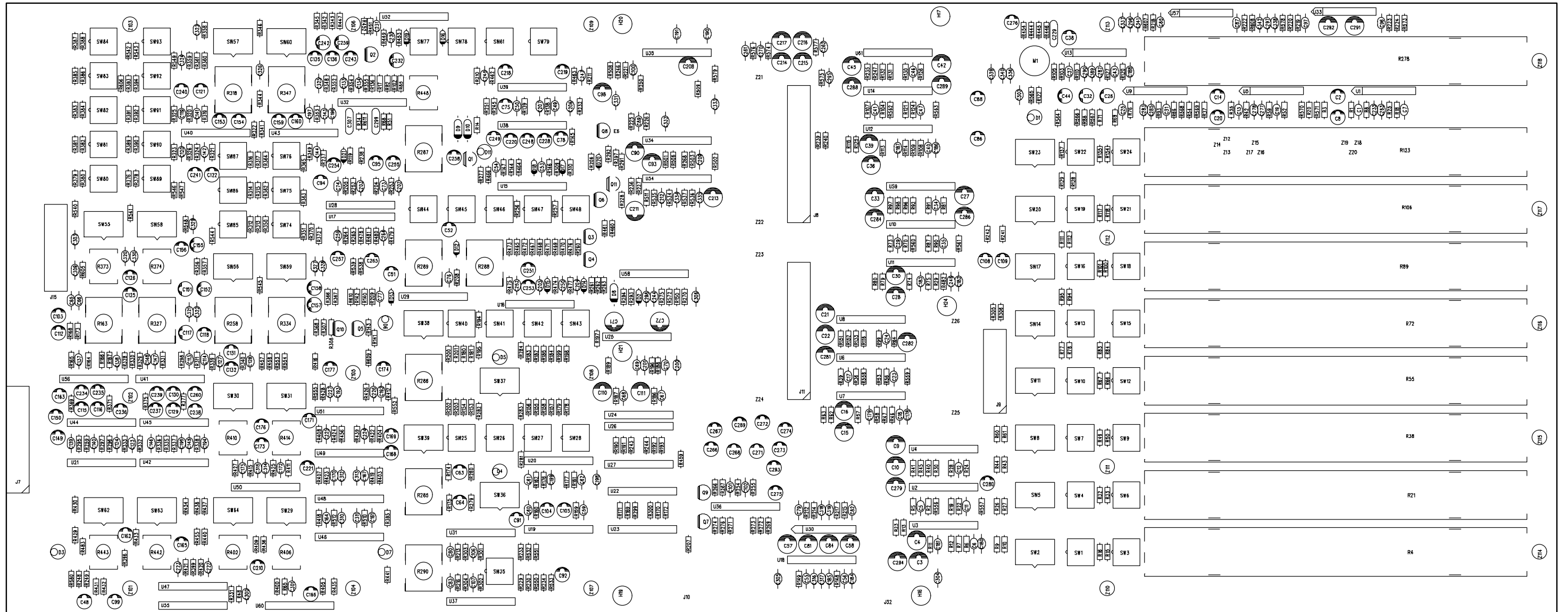


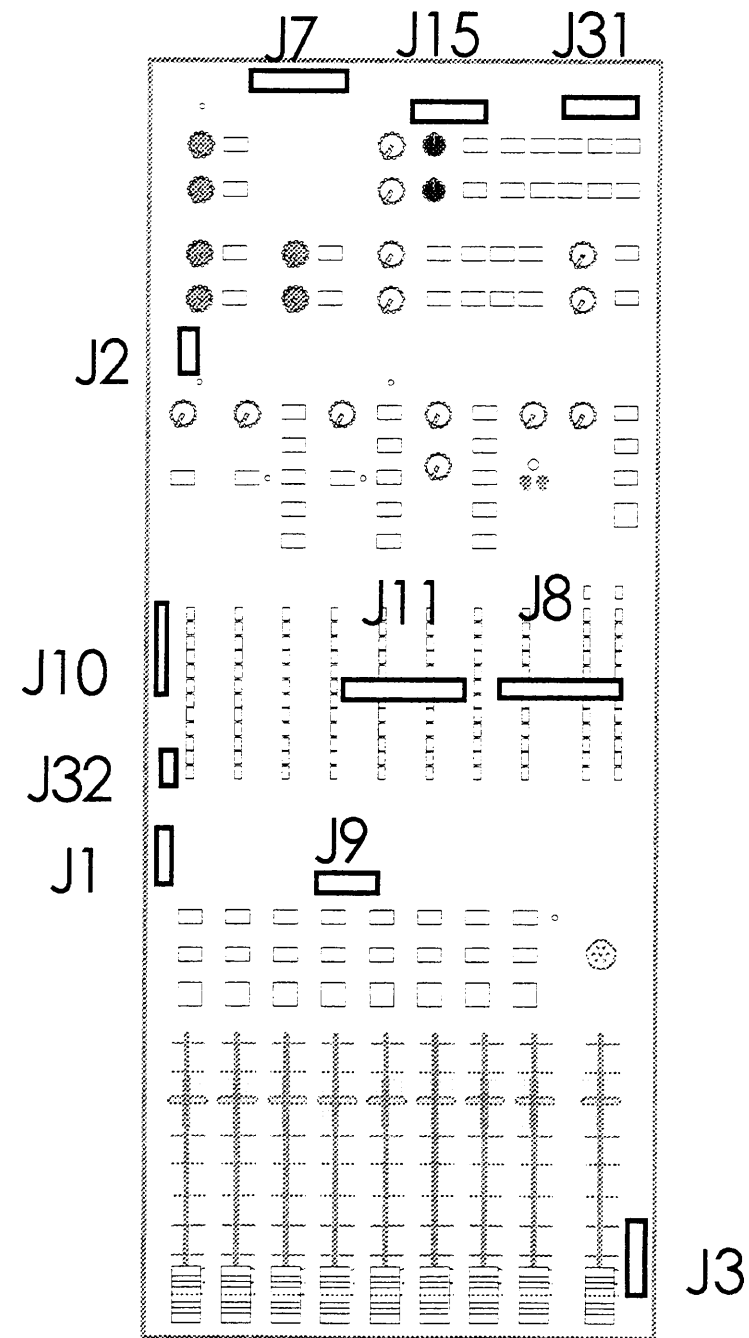
- Z101 706-033-01
- STANDOFF, SWAGE, 4-40 X .542L
- Z102 706-033-01
- STANDOFF, SWAGE, 4-40 X .542L
- Z103 706-033-01
- STANDOFF, SWAGE, 4-40 X .542L
- Z104 706-033-01
- STANDOFF, SWAGE, 4-40 X .542L
- Z105 706-033-01
- STANDOFF, SWAGE, 4-40 X .542L
- Z106 706-033-01
- STANDOFF, SWAGE, 4-40 X .542L
- Z107 706-033-01
- STANDOFF, SWAGE, 4-40 X .542L
- Z108 706-033-01
- STANDOFF, SWAGE, 4-40 X .542L
- Z109 706-033-01
- STANDOFF, SWAGE, 4-40 X .542L
- Z110 706-033-01
- STANDOFF, SWAGE, 4-40 X .542L
- Z111 706-033-01
- STANDOFF, SWAGE, 4-40 X .542L
- Z112 706-033-01
- STANDOFF, SWAGE, 4-40 X .542L
- Z113 706-033-01
- STANDOFF, SWAGE, 4-40 X .542L
- Z114 706-033-01
- STANDOFF, SWAGE, 4-40 X .542L
- Z115 706-033-01
- STANDOFF, SWAGE, 4-40 X .542L
- Z116 706-033-01
- STANDOFF, SWAGE, 4-40 X .542L
- Z117 706-033-01
- STANDOFF, SWAGE, 4-40 X .542L
- Z118 706-033-01
- STANDOFF, SWAGE, 4-40 X .542L

- QTY
- 9 760-011-00
BTN 9X9MM LG CORE
 - 65 760-013-00
BTN 9X5MM LG CORE
 - 1 706-009-00
SPACER, PLASTIC .385 LED



UNLESS OTHERWISE SPECIFIED DIMENSIONS ARE IN INCHES TOLERANCES ARE: FRACTIONS: DECIMALS: ANGLES: ± .xx ± ± .xxx ±	CONTRACT NO:		MACKIE Mackie Designs Inc. Woodinville, Wa.
	APPROVALS:	DATE:	
	DRAWN: trh	9-28-93	
	CHECKED:		
MATERIAL:	CHECKED:		SCHEMATIC 8-BUS OUTPUT
FINISH:	ISSUED:		
DO NOT SCALE DRAWING	ENG:		
	MFG:		
		SIZE D	DWG. NO. 990-010-00
		SCALE:	REV. U
			SHEET 5 OF 7





J1

AGND	1	2	L-MIX-B-BUS
AGND	3	4	R-MIX-B-BUS
AGND	5	6	L-SOLO-BUS
AGND	7	8	R-SOLO-BUS
SOLO-CTL	9	10	FLASH-BUS
DGND	11	12	DGND
+5V	13	14	+5V

J2

AUX-1-BUS	1	2	AGND
AUX-2-BUS	3	4	AGND
AUX-3-BUS	5	6	AGND
AUX-5-BUS	7	8	AGND
AUX-4-BUS	9	10	AUX-6-BUS

J3

BUS-1	1	2	AGND
BUS-2	3	4	AGND
BUS-3	5	6	AGND
BUS-4	7	8	AGND
BUS-5	9	10	AGND
BUS-6	11	12	AGND
BUS-7	13	14	AGND
BUS-8	15	16	AGND
BUS-L	17	18	AGND
BUS-R	19	20	AGND

J7

AUX 1 OUT +	1	2	AUX 1 OUT -
AUX 1 OUT GND	3	4	AUX 2 OUT +
AUX 2 OUT -	5	6	AUX 2 OUT GND
AUX 3 OUT	7	8	AUX 4 OUT
AUX 5 OUT	9	10	AUX 6 OUT
AUX 3-6 GND	11	12	AUX 3-6 GND
AUX 1 RTN L	13	14	AUX 1 RTN R
AUX 2 RTN L	15	16	AUX 2 RTN R
AUX 3 RTN L	17	18	AUX 3 RTN R
AUX 4 RTN L	19	20	AUX 4 RTN R
AUX 5 RTN L	21	22	AUX 5 RTN R
AUX 6 RTN L	23	24	AUX 6 RTN R
AUX RTN GND	25	26	AUX RTN GND

J8

L MIX UNBAL OUT	1	2	L MIX UNBAL GND
R MIX UNBAL OUT	3	4	R MIX UNBAL GND
MIX B OUT L	5	6	MIX B OUT R
MIX B GND	7	8	CONTROL ROOM R
CONTROL ROOM L	9	10	CONTROL ROOM GND
STUDIO L	11	12	STUDIO R
STUDIO GND	13	14	PHONES 1 R
PHONES 1 L	15	16	PHONES 1 GND
PHONES 2 L	17	18	PHONES 2 R
PHONES 2 GND	19	20	R METER B
L METER B	21	22	2 TRK/EXT GND
2 TRK L	23	24	2 TRK R
EXT IN L	25	26	EXT IN R
-16V	27	28	-16V
+16V	29	30	+16V
+5V	31	32	+5V
DGND	33	34	DGND

J9

SUB 1 INS SEND	1	2	SUB 1 INS RTN
SUB 2 INS SEND	3	4	SUB 2 INS RTN
SUB 3 INS SEND	5	6	SUB 3 INS RTN
SUB 4 INS SEND	7	8	SUB 4 INS RTN
SUB 5 INS SEND	9	10	SUB 5 INS RTN
SUB 6 INS SEND	11	12	SUB 6 INS RTN
SUB 7 INS SEND	13	14	SUB 6 INS RTN
SUB 8 INS SEND	15	16	SUB 8 INS RTN
L MIX INS SEND	17	18	L MIX INS RTN
R MIX INS SEND	19	20	R MIX INS RTN

J10

SUB 1 TO METER	1
SUB 2 TO METER	2
SUB 3 TO METER	3
SUB 4 TO METER	4
SUB 5 TO METER	5
SUB 6 TO METER	6
SUB 7 TO METER	7
SUB 8 TO METER	8
L TO METER	9
R TO METER	10
SUB METER MUTE	11
DGND	12
+5V	13
DGND	14

J11

SUB 1 OUT +	1	2	SUB 1 OUT -
SUB 1 OUT GND	3	4	SUB 2 OUT GND
SUB 2 OUT -	5	6	SUB 2 OUT +
SUB 3 OUT -	7	8	SUB 3 OUT +
SUB 3 OUT GND	9	10	SUB 4 OUT GND
SUB 4 OUT -	11	12	SUB 4 OUT +
SUB 5 OUT -	13	14	SUB 5 OUT +
SUB 5 OUT GND	15	16	SUB 6 OUT GND
SUB 6 OUT -	17	18	SUB 6 OUT +
SUB 7 OUT -	19	20	SUB 7 OUT +
SUB 7 OUT GND	21	22	SUB 8 OUT -
SUB 8 OUT GND	23	24	SUB 8 OUT GND
AGND	25	26	AGND
R OUT +	27	28	R OUT GND
R OUT -	29	30	AGND
L OUT GND	31	32	L OUT +
L OUT -	33	34	AGND

J15

DGND	1
+5V	2
+12V	3
+48V	4
+16V	5
AGND	6
-18V	7

This was going to be a blank page, but I thought you might enjoy coloring in this block diagram instead. A free box of crayons to the best entry.

