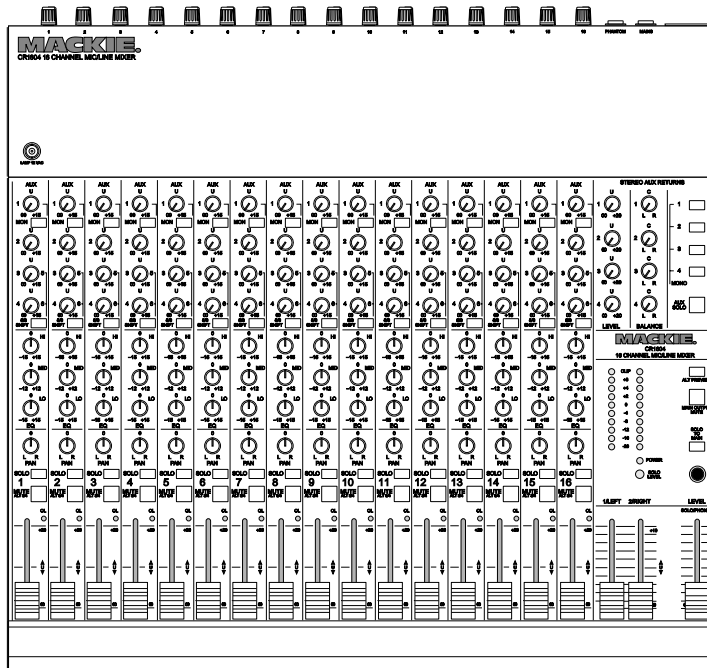


MACKIE®

CR1604

16-CHANNEL MIC/LINE MIXER



SERVICE MANUAL

	SERVICE ON THIS EQUIPMENT IS TO BE PERFORMED BY EXPERIENCED REPAIR TECHNICIANS ONLY <i>CONFIER L'ENTRETIEN AU PERSONNEL QUALIFIE</i>	
-----------------------------------------------------------------------------------	--------------------------------------------------------------------------------------------------------------------------------------------	-------------------------------------------------------------------------------------

	CAUTION AVIS RISK OF ELECTRIC SHOCK DO NOT OPEN <i>RISQUE DE CHOC ELECTRIQUE NE PAS OUVRIR</i>	
-----------------------------------------------------------------------------------	------------------------------------------------------------------------------------------------------------------------	-------------------------------------------------------------------------------------

CAUTION: TO REDUCE THE RISK OF ELECTRIC SHOCK DO NOT REMOVE THE COVER (OR BACK) NO USER SERVICEABLE PARTS INSIDE REFER SERVICING TO QUALIFIED PERSONNEL

WARNING: TO REDUCE THE RISK OF FIRE OR ELECTRIC SHOCK, DO NOT EXPOSE THIS PRODUCT TO RAIN OR MOISTURE

TO PREVENT ELECTRIC SHOCK, DO NOT USE THIS POLARIZED PLUG WITH AN EXTENSION CORD, RECEPTACLE OR OTHER OUTLET UNLESS THE BLADES CAN BE FULLY INSERTED TO PREVENT BLADE EXPOSURE.

ATTENTION: POUR EVITER LES RISQUES DE CHOC ELECTRIQUE, NE PAS ENLEVER LE COUVERCLE. AUCUN ENTRETIEN DE PIECES INTERIEURES PAR L'USAGER. CONFIER L'ENTRETIEN AU PERSONNEL QUALIFIE.

AVIS: POUR EVITER LES RISQUES D'INCENDIE OU D'ELECTROCUTION, N'EXPOSEZ PAS CET ARTICLE A LA PLUIE OU A L'HUMIDITE.

POUR PREVENIR LES CHOCS ELECTRIQUES NE PAS UTILISER CETTE FICHE POLARISEE AVEC UN PROLONGATEUR, UN PRISE DE COURANT OU UNE AUTRE SORTIE DE COURANT, SAUF SI LES LAMES PEUVENT ETRE INSEREES A FOND SANS LAISSER AUCUNE PARTIE A DECOUVERT.

This apparatus does not exceed the Class A/Class B (whichever is applicable) limits for radio noise emissions from digital apparatus as set out in the radio interference regulations of the Canadian Department of Communications.

ATTENTION :Le présent appareil numérique n'émet pas de bruits radioélectriques dépassant les limites applicables aux appareils numériques de class A/de class B (selon le cas) prescrites dans le règlement sur le brouillage radioélectrique édicté par les ministere des communications du Canada.

This equipment has been tested and found to comply with the limits for a Class A digital device, pursuant to part 15 of the FCC rules. These limits are designed to provide reasonable protection against harmful interference when the equipment is operated in a commercial environment. This equipment generates, uses, and can radiate radio energy and, if not installed properly and used in accordance with the instruction manual, may cause harmful interference to radio communications. Operation of this equipment in a residential area is likely to cause harmful interference in which case the user will be required to correct the interference at his own expense.



The lightning flash with arrowhead symbol within an equilateral triangle is intended to alert the user to the presence of uninsulated "dangerous voltage" within the product's enclosure, that may be of sufficient magnitude to constitute a risk of electric shock to persons.

Le symbole éclair avec point de flèche à l'intérieur d'un triangle équilatéral est utilisé pour alerter l'utilisateur de la présence à l'intérieur du coffret de "voltage dangereux" non isolé d'ampleur suffisante pour constituer un risque d'électrocution.



The exclamation point within an equilateral triangle is intended to alert the user of the presence of important operating and maintenance (servicing) instructions in the literature accompanying the appliance.

Le point d'exclamation à l'intérieur d'un triangle équilatéral est employé pour alerter les utilisateurs de la présence d'instructions importantes pour le fonctionnement et l'entretien (service) dans le livret d'instruction accompagnant l'appareil.

CONTENTS

INTRODUCTION 3
 Technical Support 3
 Disclaimer 3
 BLOCK DIAGRAM 4
 QUICK PARTS..... 5-6
 ACCESSORY QUICK PARTS..... 7-8
 FOLD-OUT SECTIONS:
 Main Board Schematics and PCB 01-1
 Pod Schematics and PCB 02-1
 Meter and Power Supply Schematics and PCB..... 03-1
 XLR-10 Schematics and PCD 05-1
 Mixer-Mixer Schematics and PCB 06-1

INTRODUCTION

	<p>SERVICE ON THIS EQUIPMENT IS TO BE PERFORMED BY EXPERIENCED REPAIR TECHNICIANS ONLY</p> <p><i>CONFIER L'ENTRETIEN AU PERSONNEL QUALIFIE</i></p>	
-------------------------------------------------------------------------------------	---------------------------------------------------------------------------------------------------------------------------------------------------------------	---------------------------------------------------------------------------------------

This manual contains basic service information. It is essential that you have a copy of the user's manual as this contains the complete operating instructions.



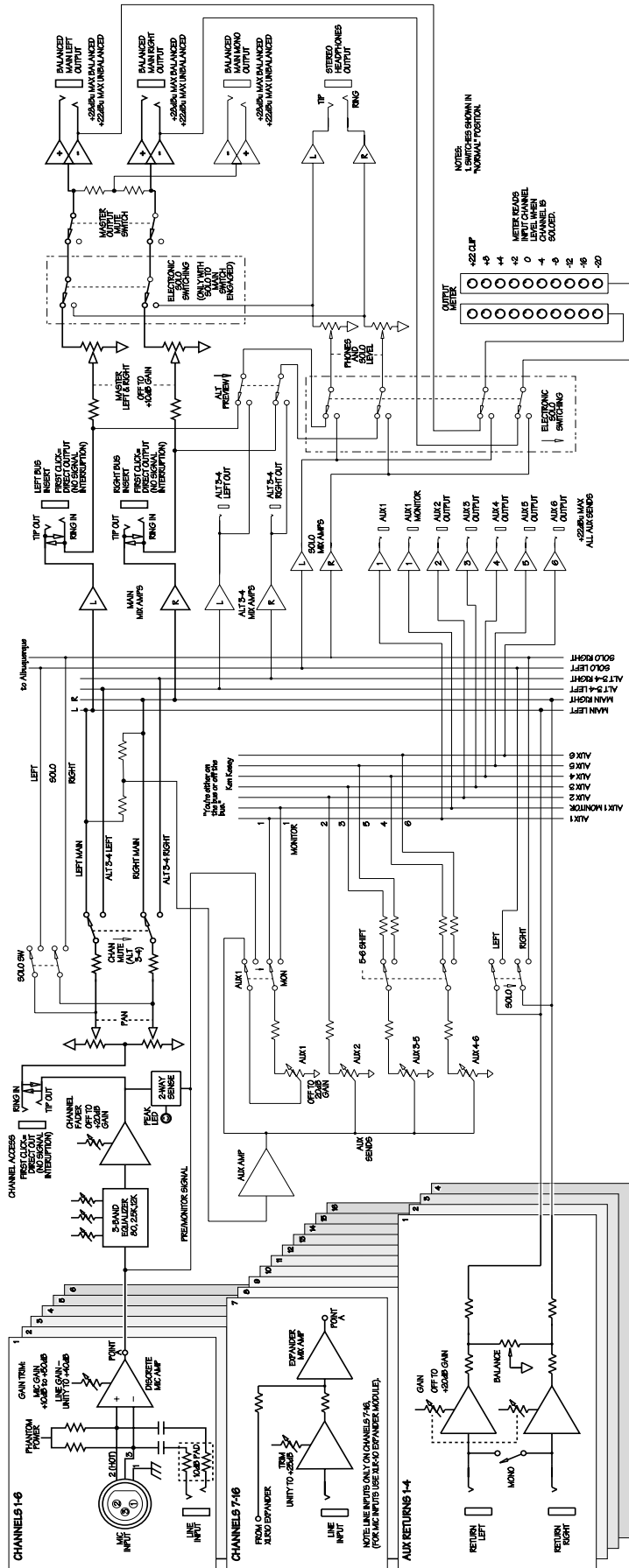
SERVICE TECHNICAL ASSISTANCE

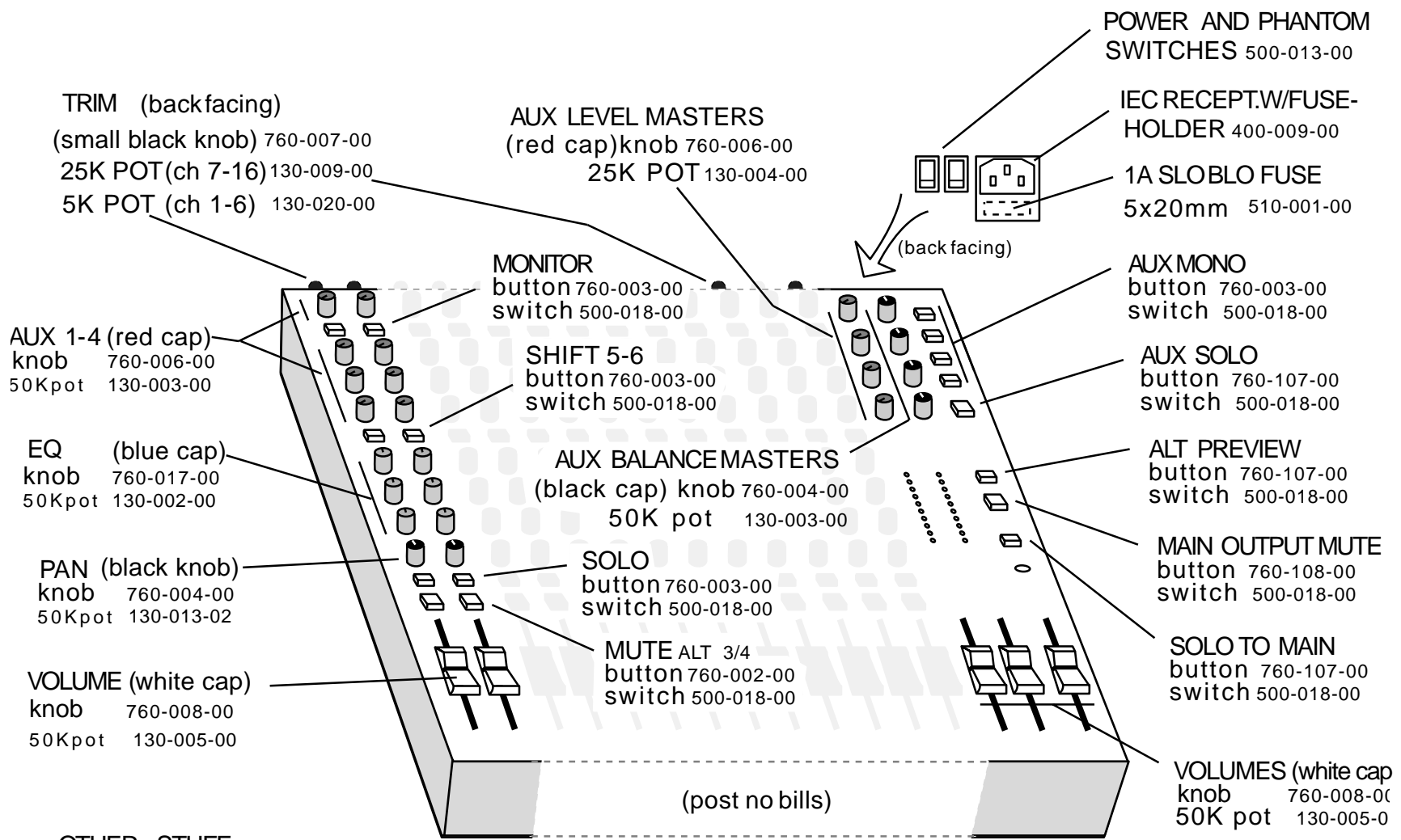
Mackie Designs, Service Technical Assistance, is available 8AM - 5PM PST, Monday through Friday for Authorized Mackie Service Centers, at 1-800-258-6883. Feel free to call with any questions and speak with a carefully-calibrated technician. If one is not available, leave a detailed message and a qualified Mackoid will return your call asap.

DISCLAIMER

The information contained in this manual is proprietary to Mackie Designs, Inc. The entire manual is protected under copyright and may not be reproduced by any means without express written permission from Mackie Designs, Inc.

BLOCK DIAGRAM





TRIM (backfacing)
 (small black knob) 760-007-00
 25K POT(ch 7-16) 130-009-00
 5K POT (ch 1-6) 130-020-00

AUX LEVEL MASTERS
 (red cap)knob 760-006-00
 25K POT 130-004-00

POWER AND PHANTOM
 SWITCHES 500-013-00

IEC RECEPT.W/FUSE-
 HOLDER 400-009-00

1A SLOBLO FUSE
 5x20mm 510-001-00

MONITOR
 button 760-003-00
 switch 500-018-00

SHIFT 5-6
 button 760-003-00
 switch 500-018-00

AUX MONO
 button 760-003-00
 switch 500-018-00

AUX SOLO
 button 760-107-00
 switch 500-018-00

AUX 1-4 (red cap)
 knob 760-006-00
 50Kpot 130-003-00

EQ (blue cap)
 knob 760-017-00
 50Kpot 130-002-00

AUX BALANCE MASTERS
 (black cap) knob 760-004-00
 50K pot 130-003-00

ALT PREVIEW
 button 760-107-00
 switch 500-018-00

PAN (black knob)
 knob 760-004-00
 50Kpot 130-013-02

SOLO
 button 760-003-00
 switch 500-018-00

MAIN OUTPUT MUTE
 button 760-108-00
 switch 500-018-00

VOLUME (white cap)
 knob 760-008-00
 50Kpot 130-005-00

MUTE ALT 3/4
 button 760-002-00
 switch 500-018-00

SOLO TO MAIN
 button 760-107-00
 switch 500-018-00

(post no bills)

VOLUMES (white cap)
 knob 760-008-00
 50K pot 130-005-00

...OTHER STUFF...

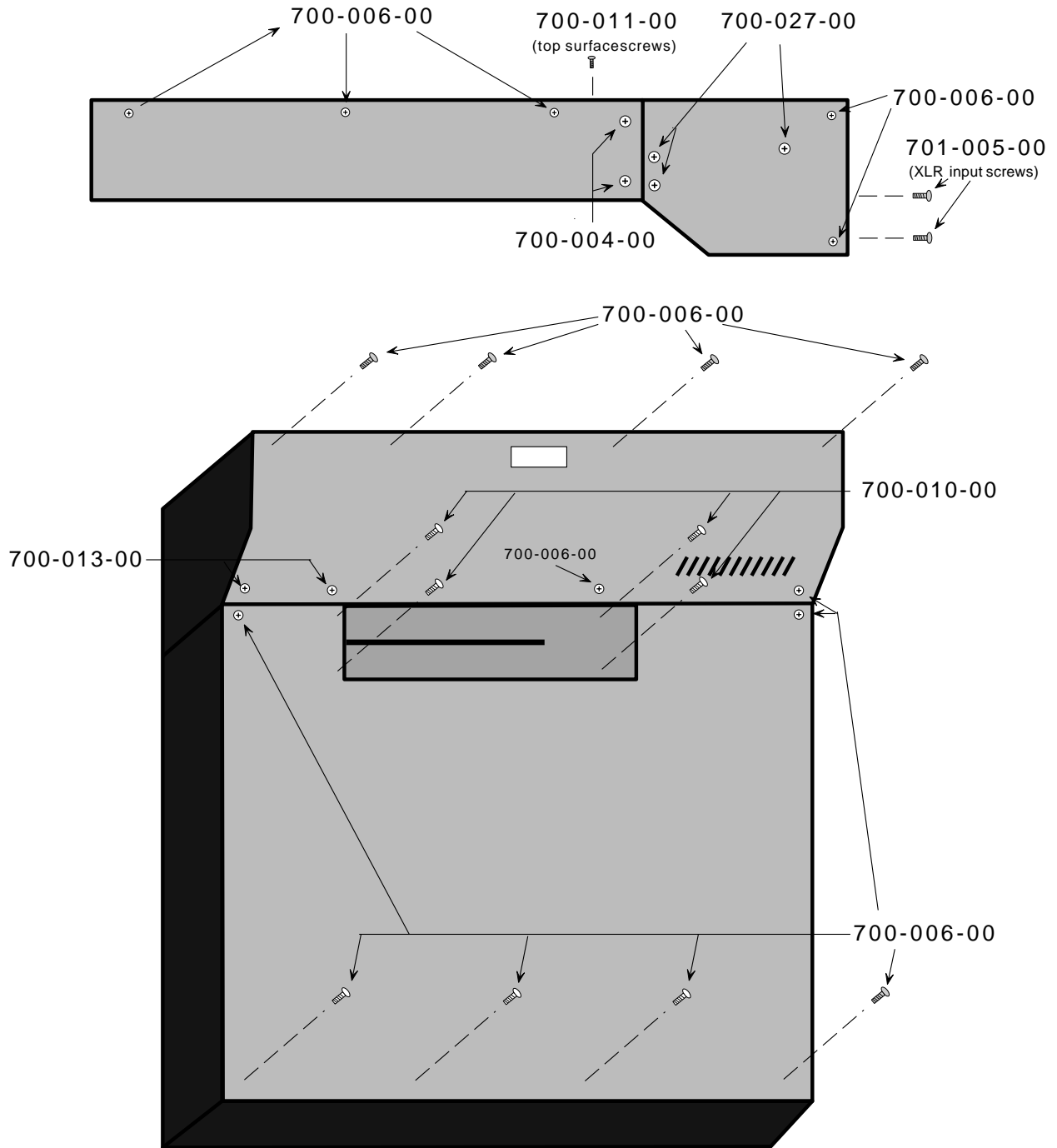
LED'S
 RED RUDE 304-002-00
 RED 304-001-00
 YELLOW 304-003-00
 GREEN 304-004-00

LAMP SOCKET
 BNC 400-010-00
 LINE CORD 6' IEC
 10 A 640-001-00

XLR FEMALE JACK
 400-223-00
 1/4" FEMALE JACK
 400-214-00

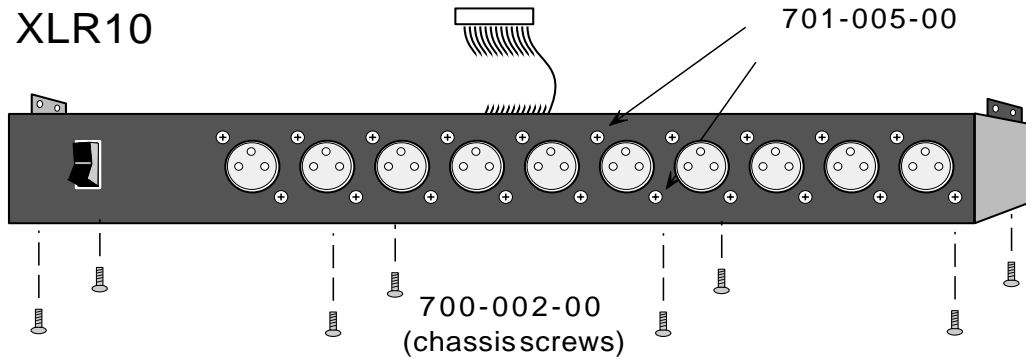
RACK EARS (PR)
 550-005-00
 OWNER'S MANUAL
 820-001-00

Version 2.1
 05/99

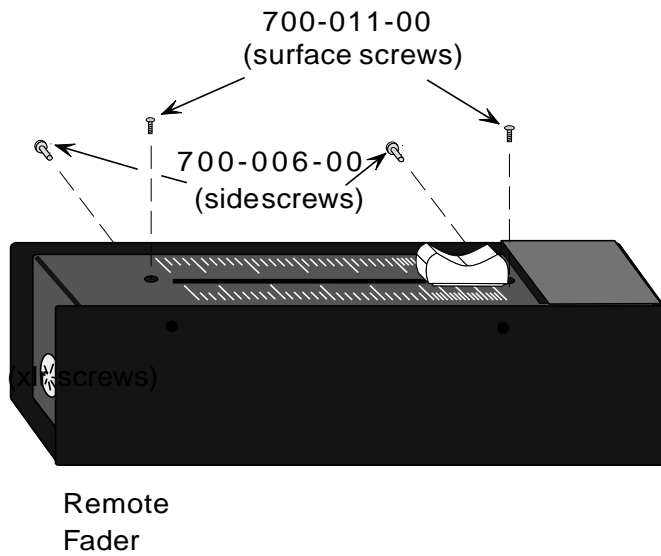


Version 1.0
6/95

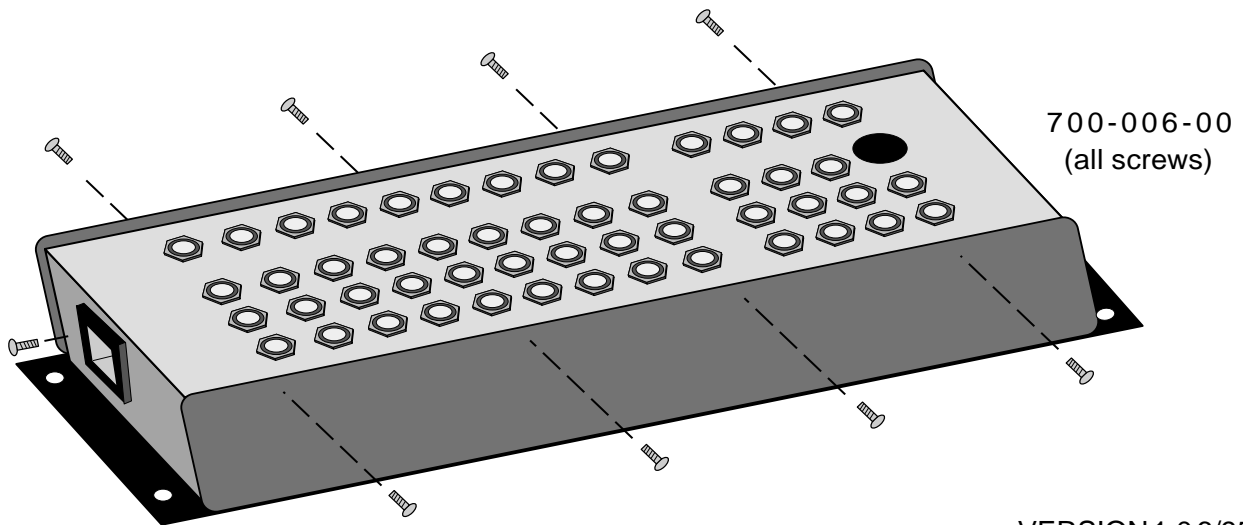
XLR10



REMOTE FADER

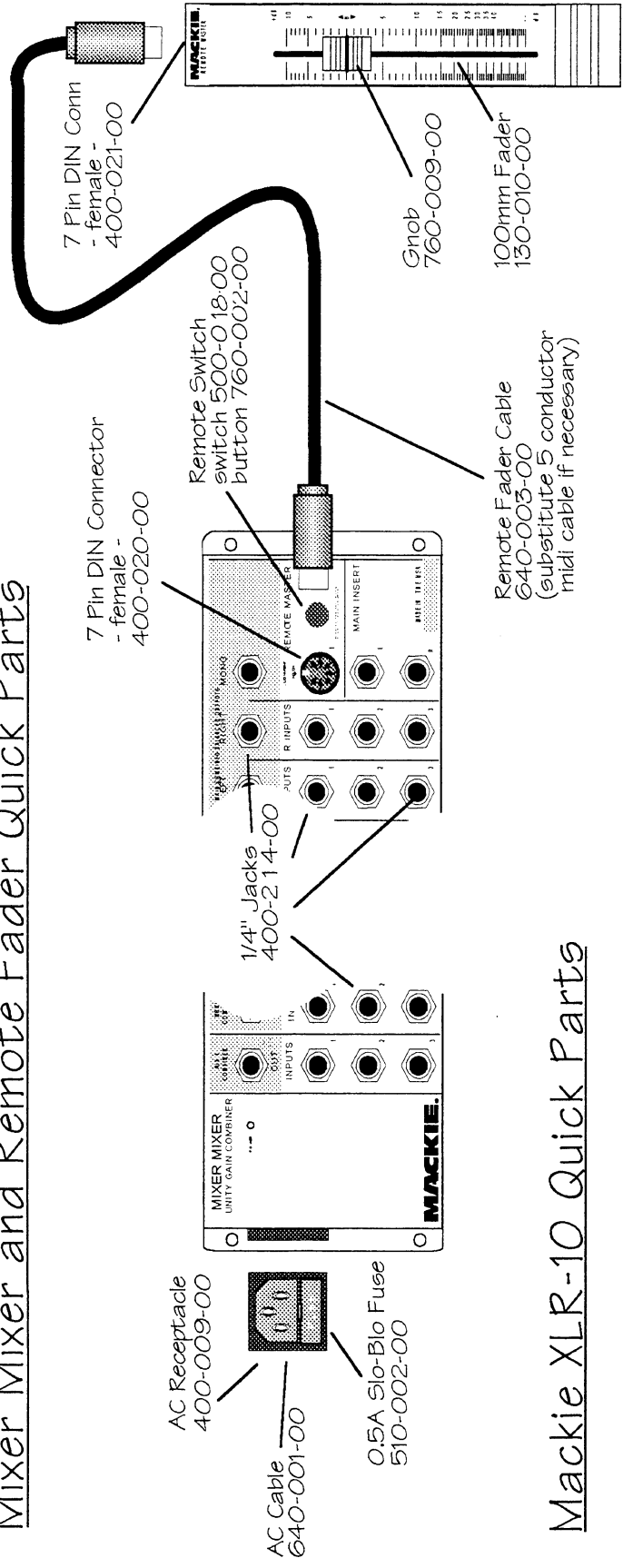


MIXER/MIXER



VERSION 1.06/95

Mixer Mixer and Remote Fader Quick Parts



Mackie XLR-10 Quick Parts

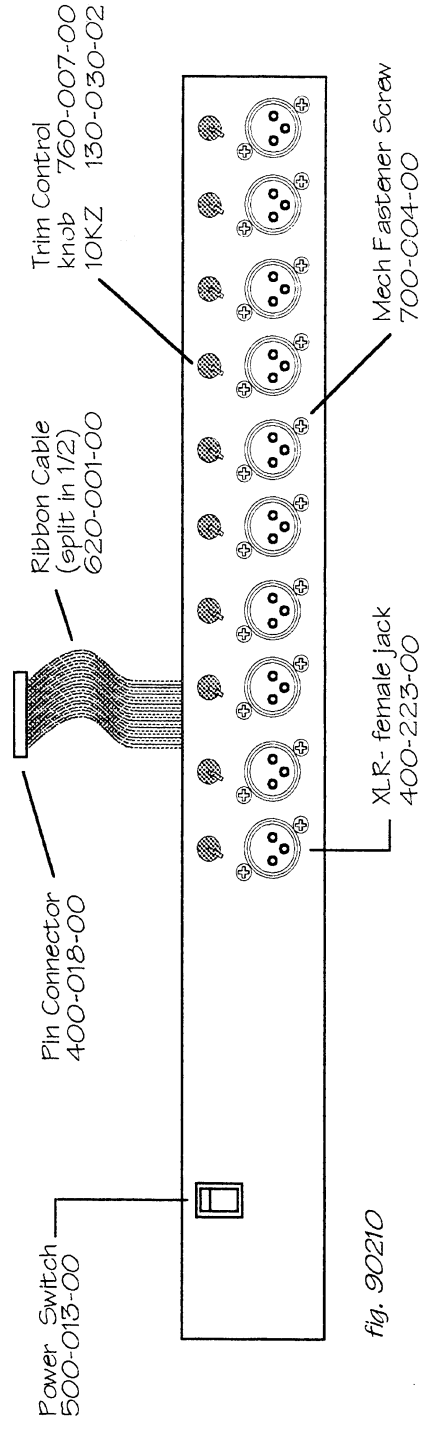
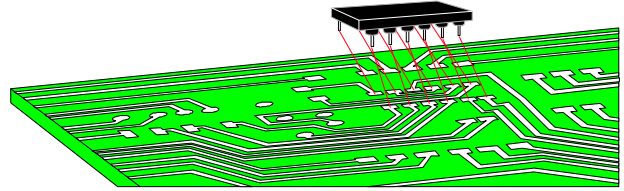


fig. 90210

MACKIE.



THE MIXER FIXER • MACKIE DESIGNS

CR-1604 THERMAL SHUTDOWN

Model: 1604, mainly ser#'s in the 35,000 to 55,000 range.

Symptom: Gets hot, shuts off, especially with XLR-10.

Cause: Voltage regulators not properly seated to chassis (heatsink).

Fix: Reseat Regulators.

Notes: Some may have TO-220 case regulators with totally plastic packages. We recommend using the 7815 / 7915 with a metal tab for better thermal conduction. Remember to use mica insulators and heatsink compound.