

| ECO# | REV: | DESCRIPTION | REV. BY: | APP. BY: | DATE |
|------|------|------------------------------|----------|----------|-----------|
| 01 | | PROTOTYPE RELEASE | SOBEK | Violi | 28.3.01 |
| 02 | | R56-R59-R87-R90 da 5K9 a 5K6 | Adami | Violi | 23.5.2001 |

D

D

C

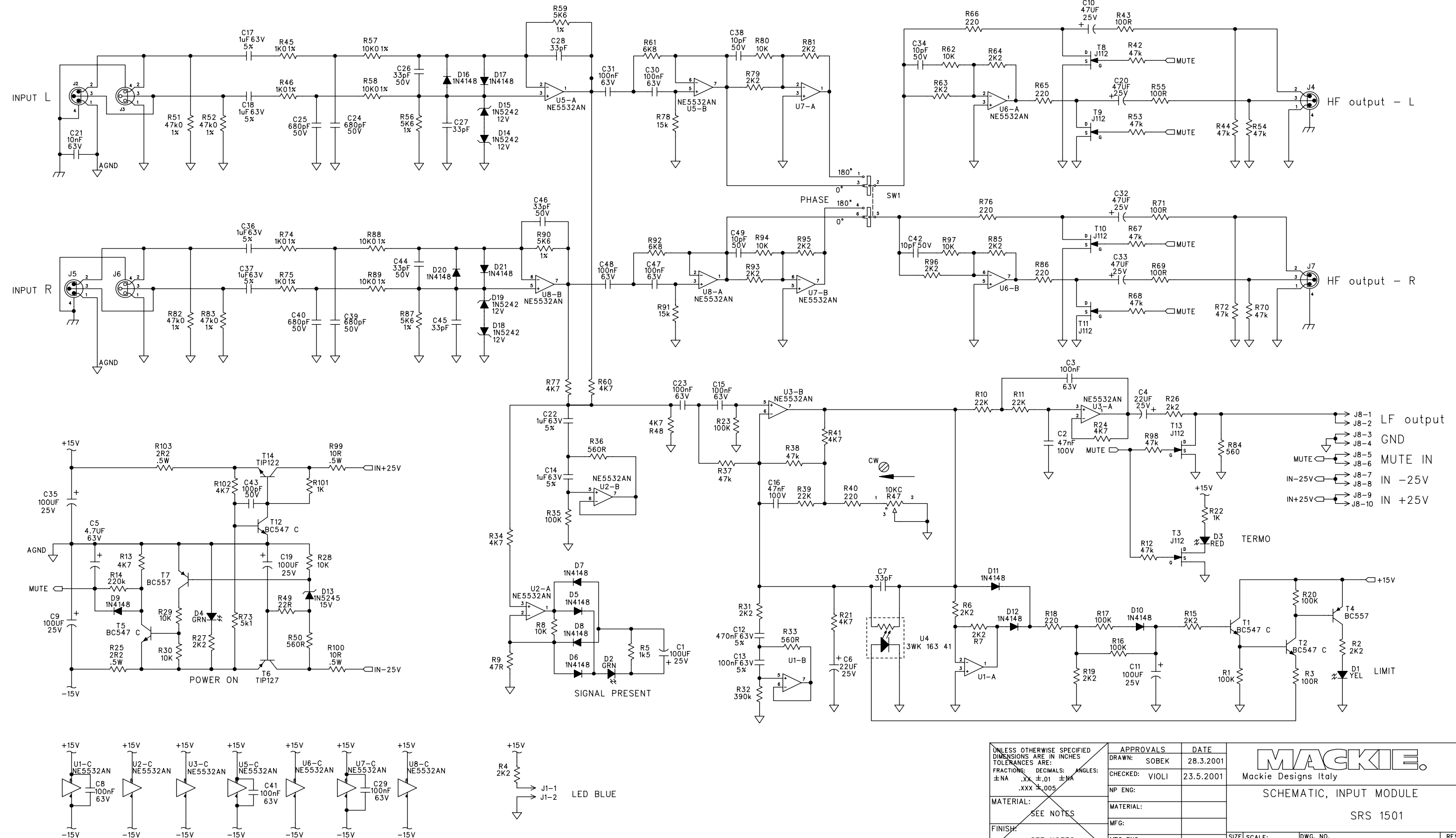
C

B

B

A

A



| UNLESS OTHERWISE SPECIFIED DIMENSIONS ARE IN INCHES TOLERANCES ARE: | | APPROVALS | | DATE |
|---|--------------|-----------|-------|-----------|
| FRACTIONS: | ±NA | DRAWN: | SOBEK | 28.3.2001 |
| DECIMALS: | .XX ±0.1 ±NA | CHECKED: | VIOLI | 23.5.2001 |
| ANGLES: | .XXX ±0.05 | NP ENG: | | |
| MATERIAL: | SEE NOTES | MATERIAL: | | |
| FINISH: | SEE NOTES | MFG: | | |
| DO NOT SCALE DRAWING | | MFG ENG: | | |
| | | ISSUED: | | |

MACKIE
Mackie Designs Italy

SCHMATIC, INPUT MODULE

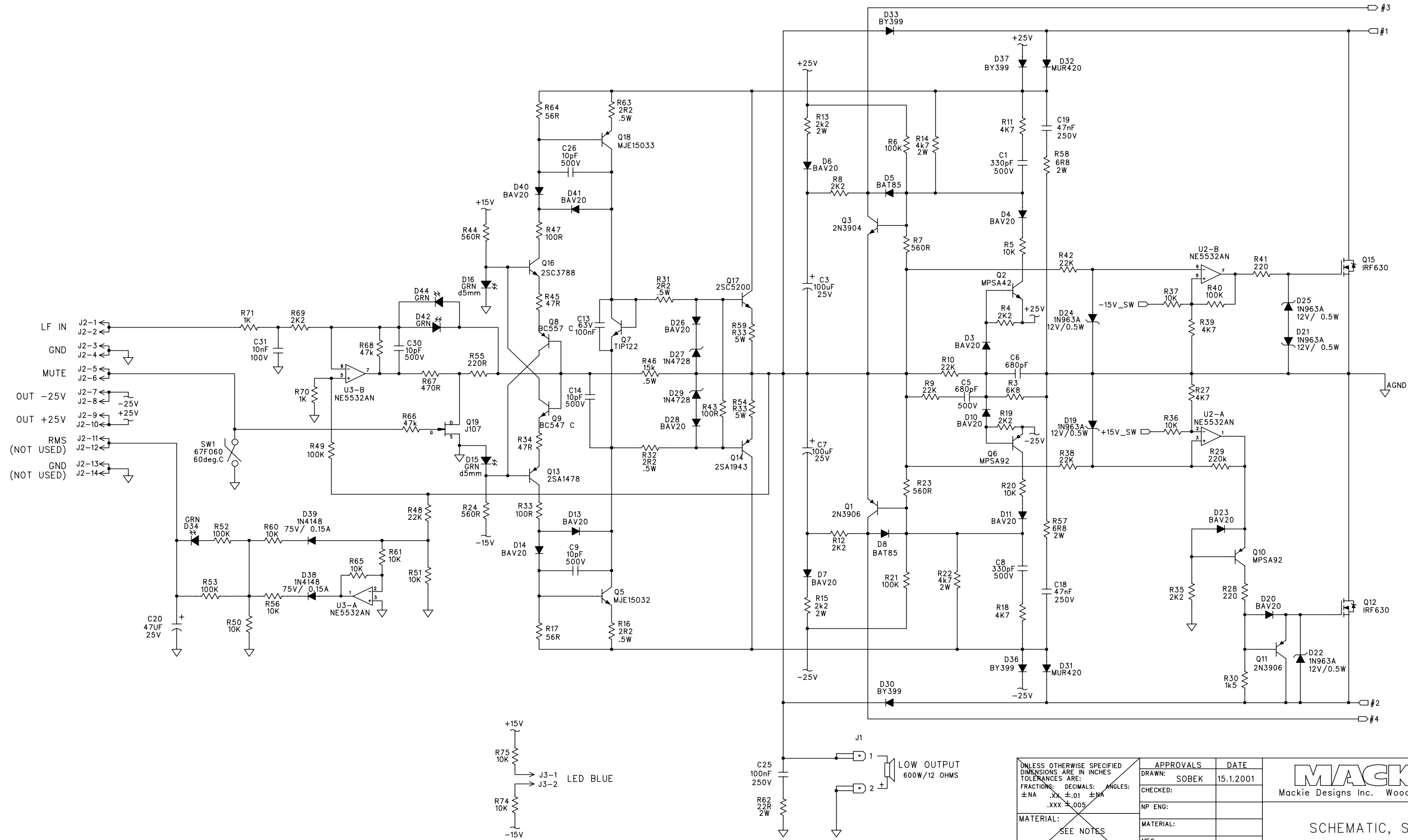
SRS 1501

| | | | |
|------|--------|---------------|------|
| SIZE | SCALE: | DWG. NO. | REV. |
| D | NONE | Cod. SE036964 | 02 |

DWG FILE: MN 052 121-01_label 03.sch
SHEET 1 OF 1

| ECO# | REV: | DESCRIPTION | REV. BY: | APP. BY: | DATE |
|------|------|----------------------|----------|----------|-----------|
| 01 | | PROTOTYPE RELEASE 01 | SOBEK | | 15.1.2001 |
| 02 | | PROTOTYPE RELEASE 02 | SOBEK | | 26.2.2001 |
| 03 | | PRODUCTION RELEASE | SOBEK | | 4.4.2001 |

D
C
B
A



| UNLESS OTHERWISE SPECIFIED DIMENSIONS ARE IN INCHES TOLERANCES ARE: | | APPROVALS | DATE |
|---|--------------|-----------|-----------|
| FRACTIONS: | DECIMALS: | CHECKED: | 15.1.2001 |
| ±NA | .XX ±.01 ±MA | NP ENG: | |
| | .XXX ±.005 | MATERIAL: | |
| MATERIAL: | | MFG: | |
| FINISH: | | MFG ENG: | |
| DO NOT SCALE DRAWING | | ISSUED: | |

MACKIE
Mackie Designs Inc. Woodinville, Wa.

SCHEMATIC, SRS1501

| | | | |
|--------------------------------------|-------------|---------------------|--------------|
| SIZE: A3 | SCALE: NONE | DWG. NO. MN 042 130 | REV. 03 |
| DWG FILE: MN 042 130-03 label 03.sch | | Label 03 | SHEET 1 OF 2 |

| ECO# | REV: | DESCRIPTION | REV. BY: | APP. BY: | DATE |
|------|------|----------------------|----------|----------|-----------|
| 01 | | PROTOTYPE RELEASE 01 | SOBEK | | 15.1.2001 |
| 02 | | PROTOTYPE RELEASE 02 | SOBEK | | 26.2.2001 |
| 03 | | PRODUCTION RELEASE | SOBEK | | 4.4.2001 |

D

D

C

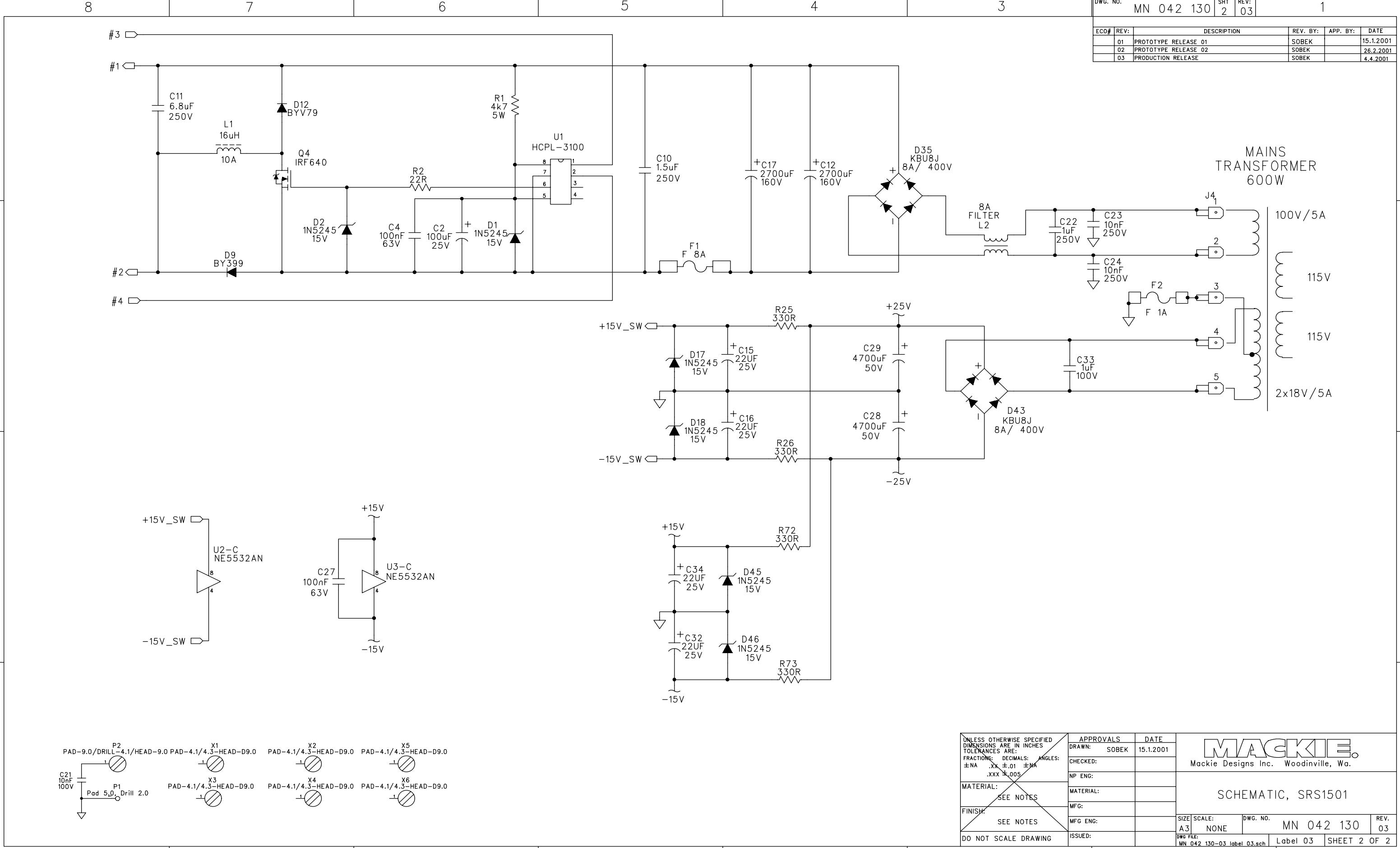
C

B

B

A

A



| UNLESS OTHERWISE SPECIFIED DIMENSIONS ARE IN INCHES TOLERANCES ARE: | | APPROVALS | | DATE |
|---|--------------|-----------|-------|-----------|
| FRACTIONS: | DECIMALS: | DRAWN: | SOBEK | 15.1.2001 |
| ±NA | .XX ±.01 ±MA | CHECKED: | | |
| | .XXX ±.005 | NP ENG: | | |
| MATERIAL: | SEE NOTES | MATERIAL: | | |
| FINISH: | SEE NOTES | MFG: | | |
| DO NOT SCALE DRAWING | | MFG ENG: | | |
| | | ISSUED: | | |

MACKIE
Mackie Designs Inc. Woodinville, Wa.

SCHEMATIC, SRS1501

| | | | |
|-----------|----------|--------------|------|
| SIZE | SCALE: | DWG. NO. | REV. |
| A3 | NONE | MN 042 130 | 03 |
| DWG FILE: | Label 03 | SHEET 2 OF 2 | |