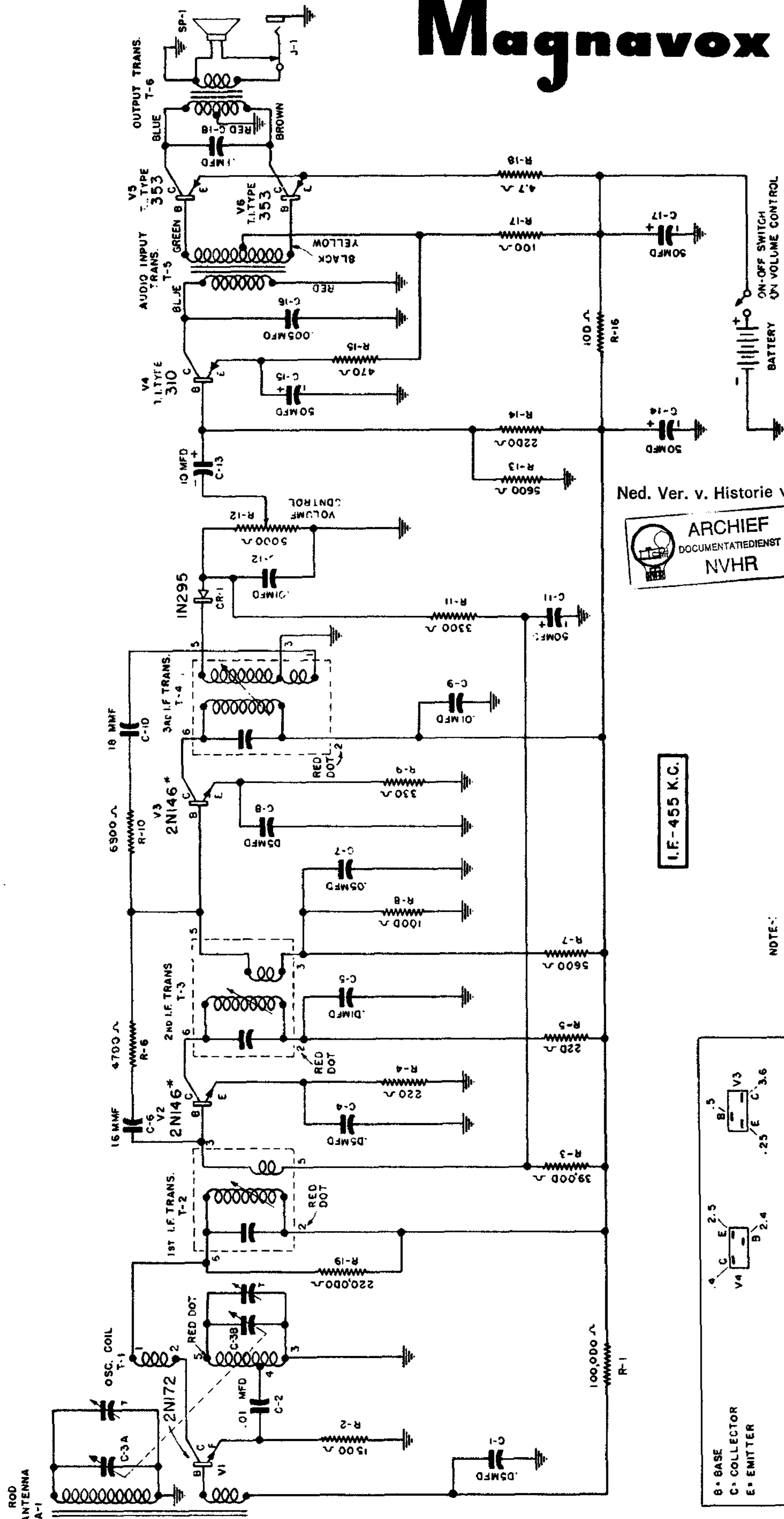
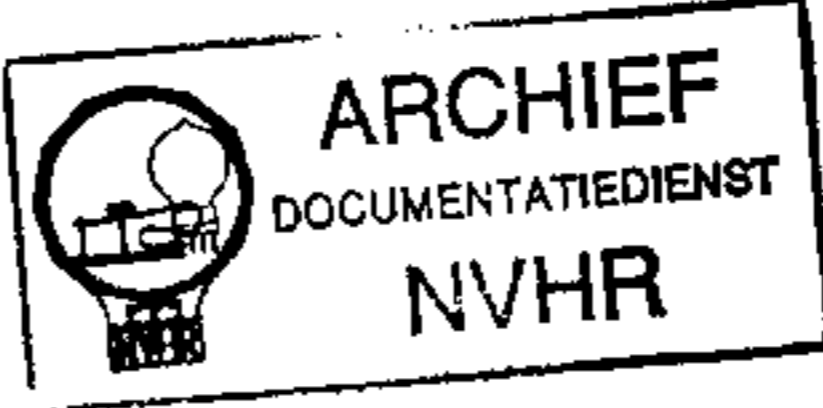


# Magnavox

Type AM2 Radio



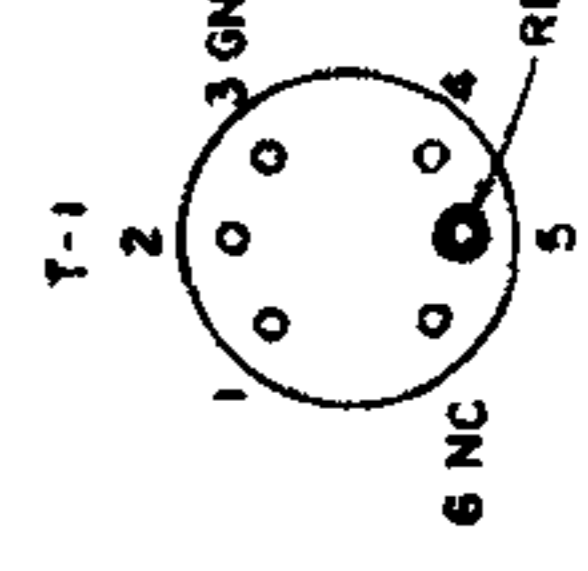
Ned. Ver. v. Historie v/d Radio



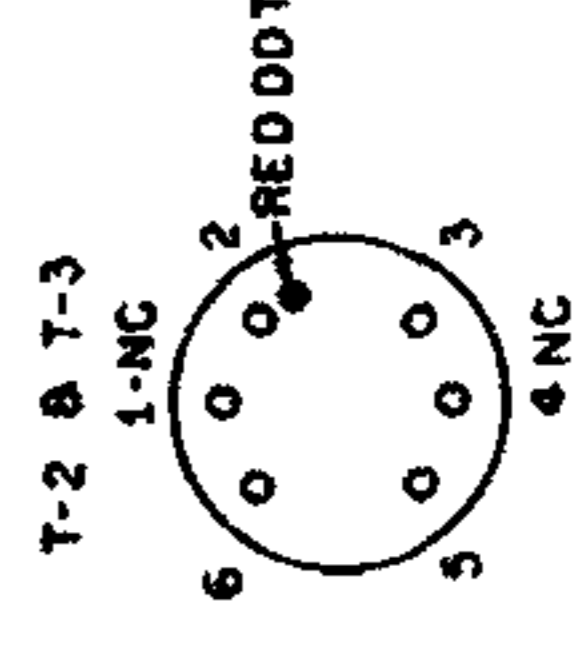
I.F. - 455 K.C.

NOTE:

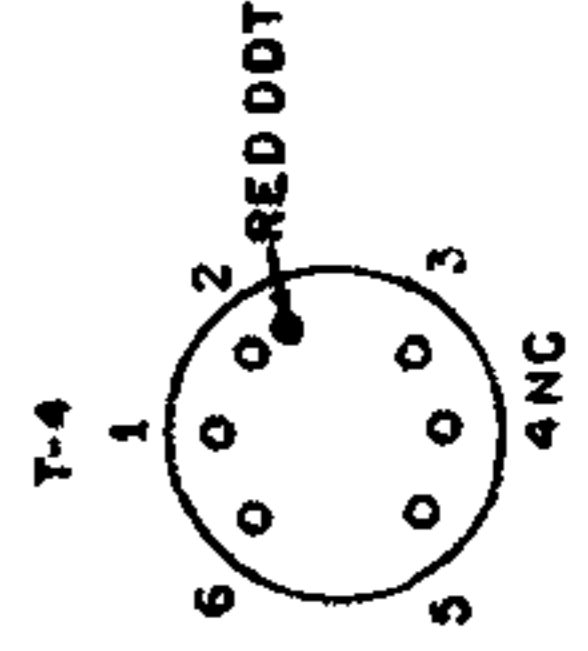
ALL TRANSISTORS MARKED "T.I. TYPE" ARE TEXAS INSTRUMENTS INC. TRANSISTOR NUMBERS.



OSC. COIL TERMINALS UP

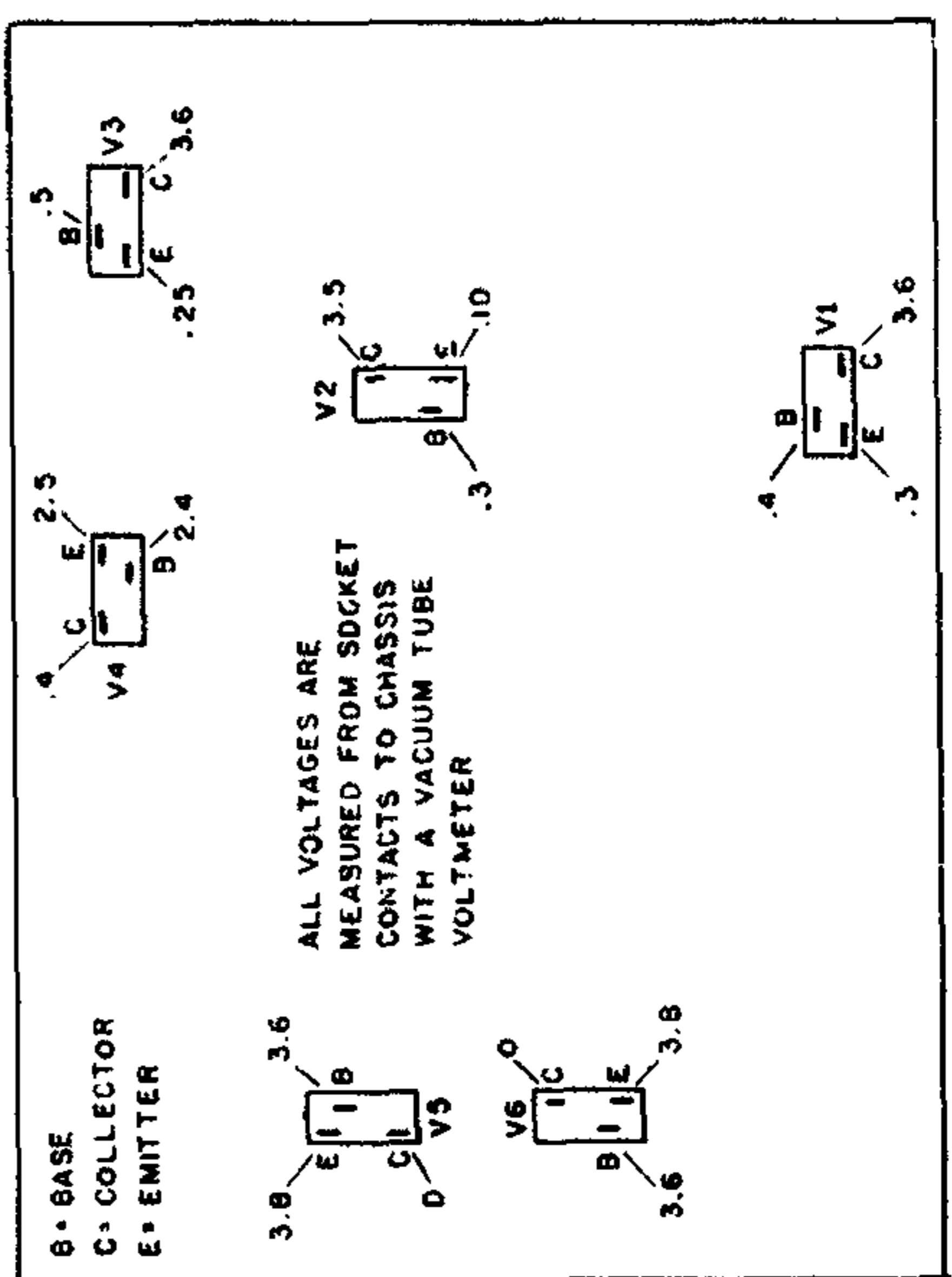


1ST & 2ND I.F. TRANS TERMINALS UP



3RD I.F. TRANS TERMINALS UP

\* WHEN 2N146 TRANSISTORS ARE USED THEY WILL BE IN BOTH 1ST. AND 2ND. I.F. STAGES. WHEN 2N145 AND 2N147 TRANSISTORS ARE USED THE 2N145 SHOULD BE IN 1ST. I.F. STAGE AND THE 2N147 IN 2ND. I.F. STAGE.



ALL VOLTAGES ARE MEASURED FROM SDCCKET CONTACTS TO CHASSIS WITH A VACUUM TUBE VOLTMETER

VOLTAGE TABLE (BOTTOM VIEW OF CHASSIS)

MAGNAVOX Type AM2 Radio