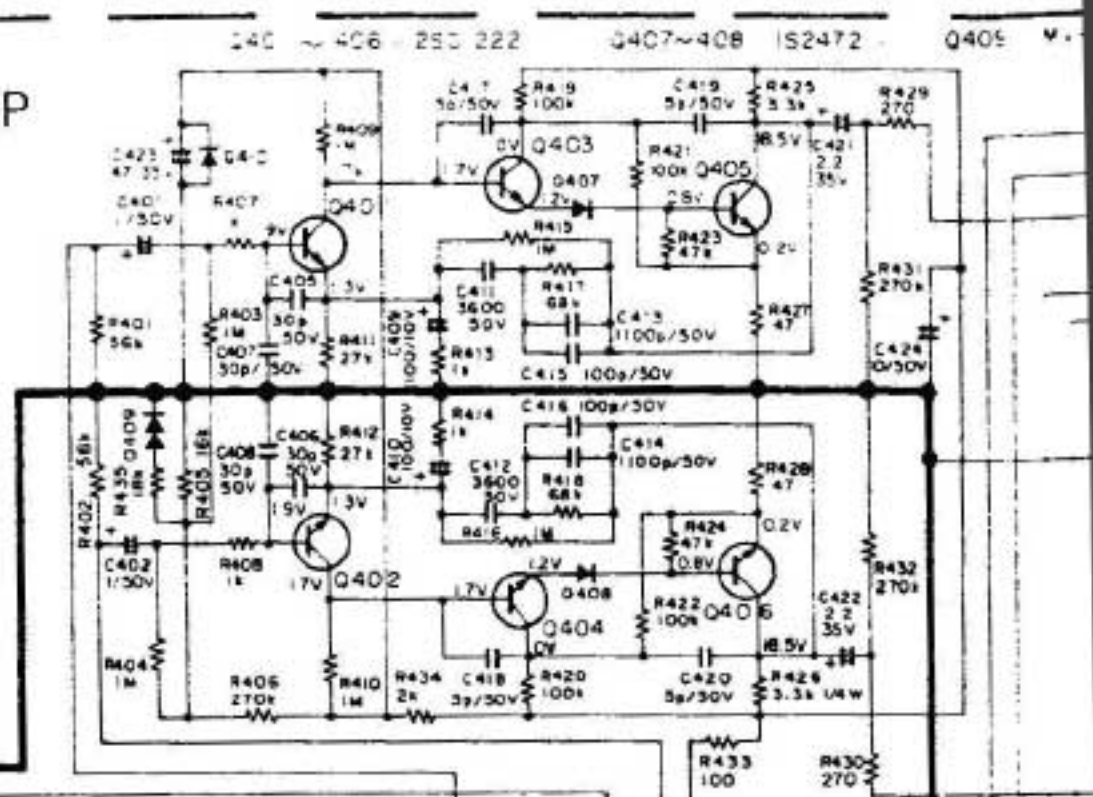
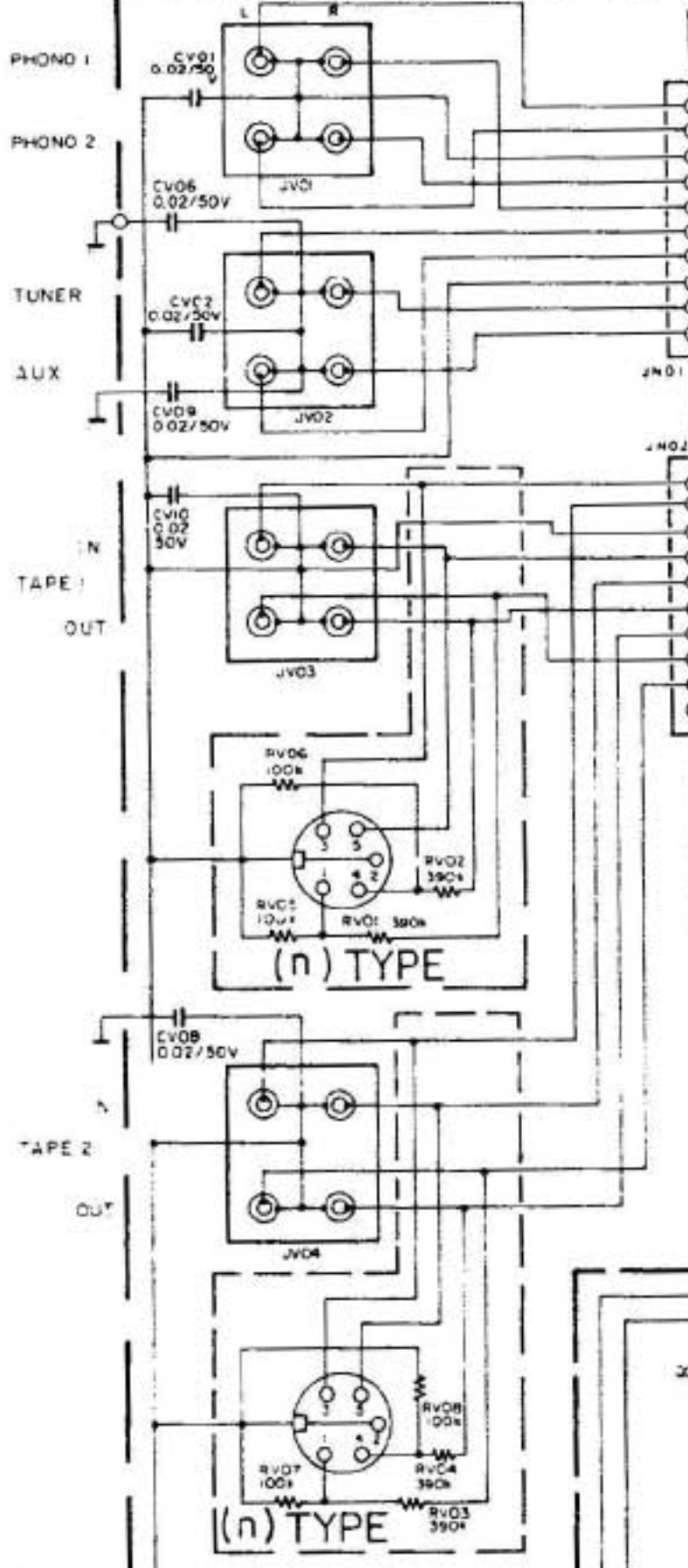


P400
PRE AMP

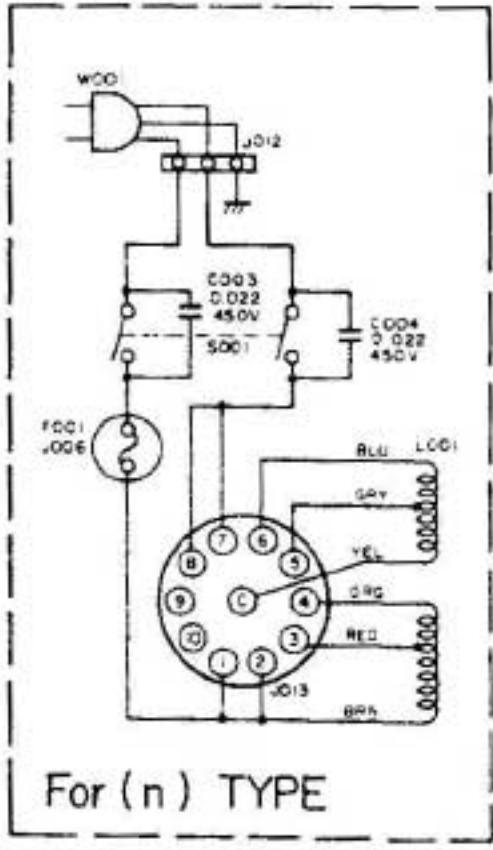


PV00 REAR PANEL ASSY

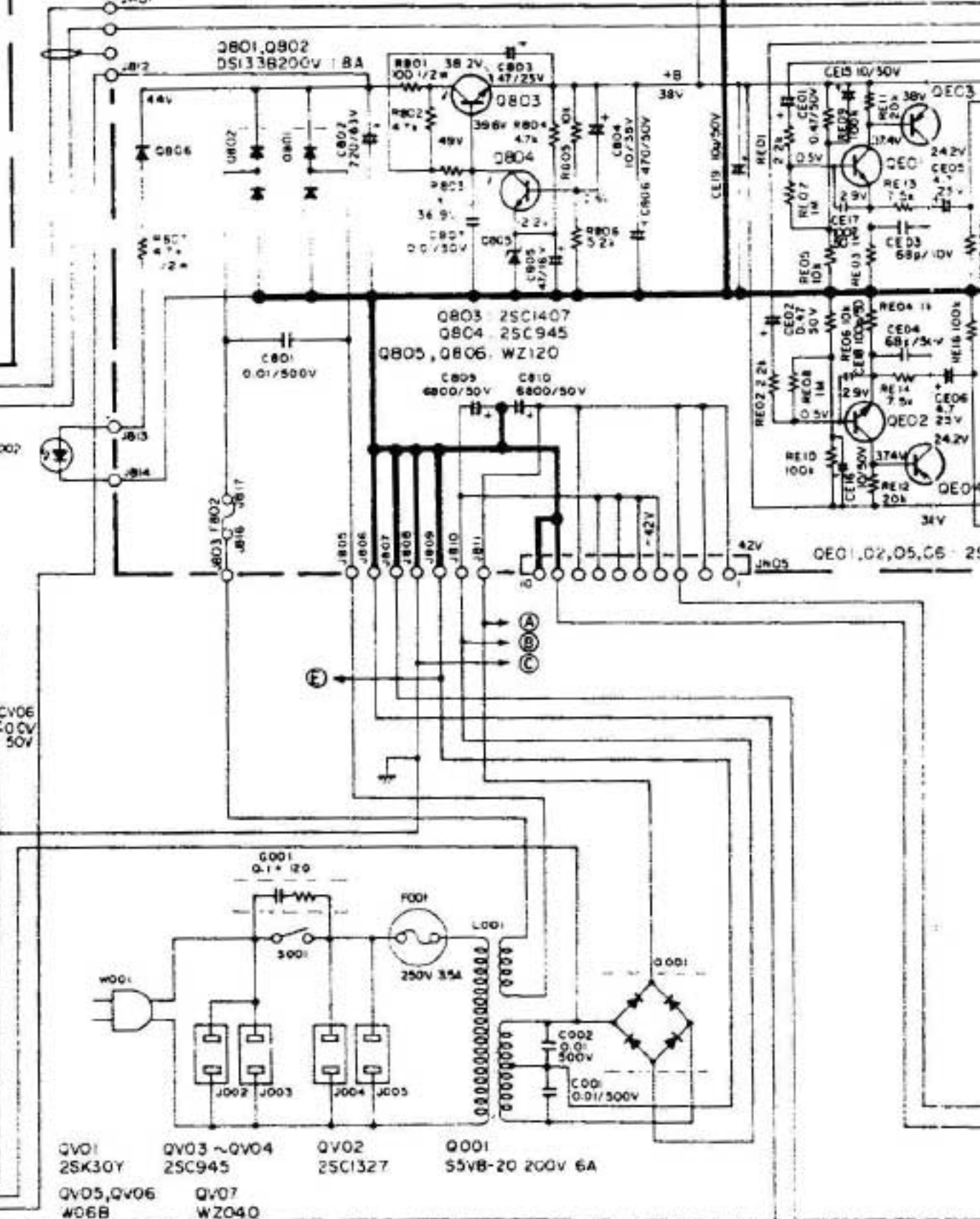


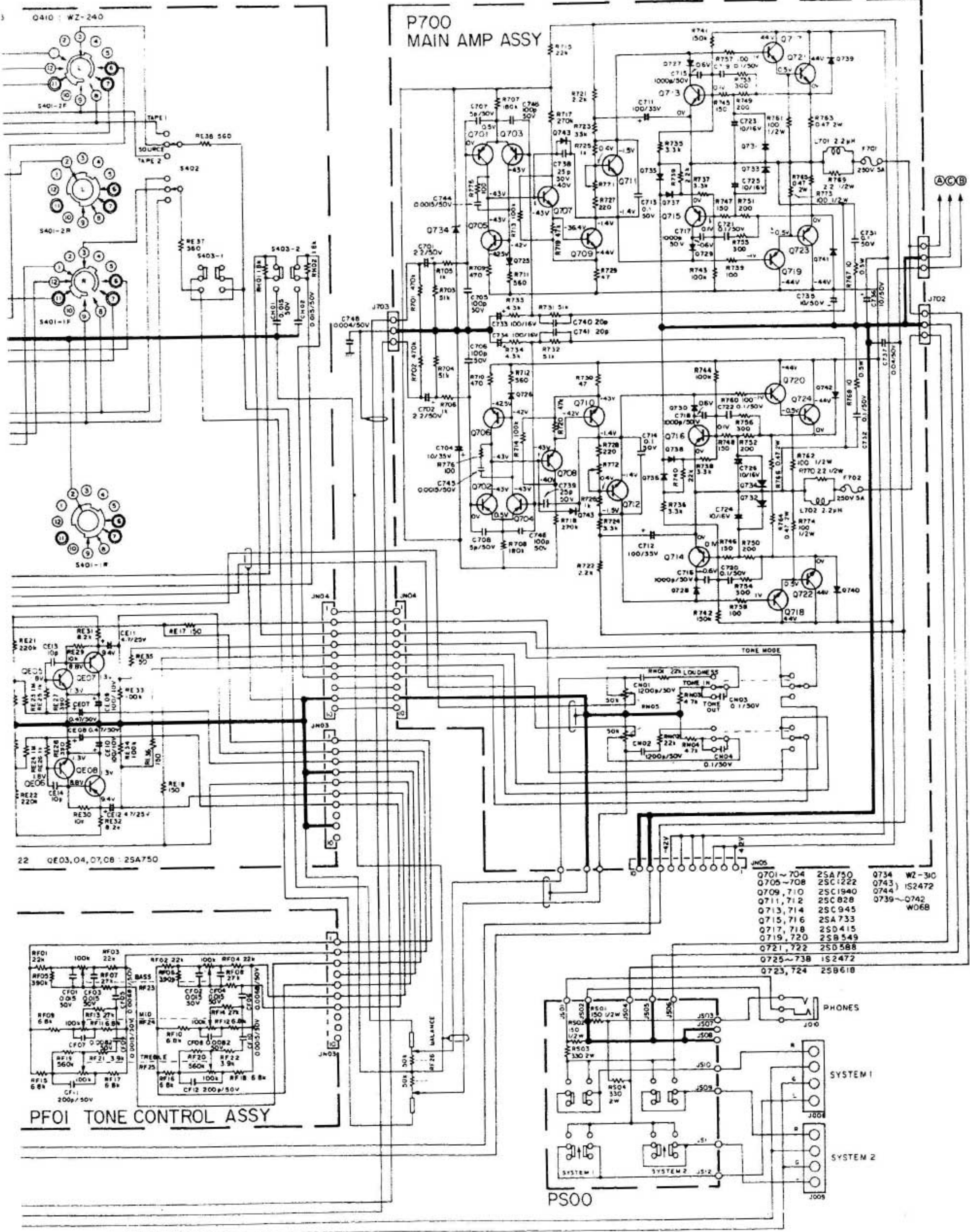
(n) TYPE

(n) TYPE

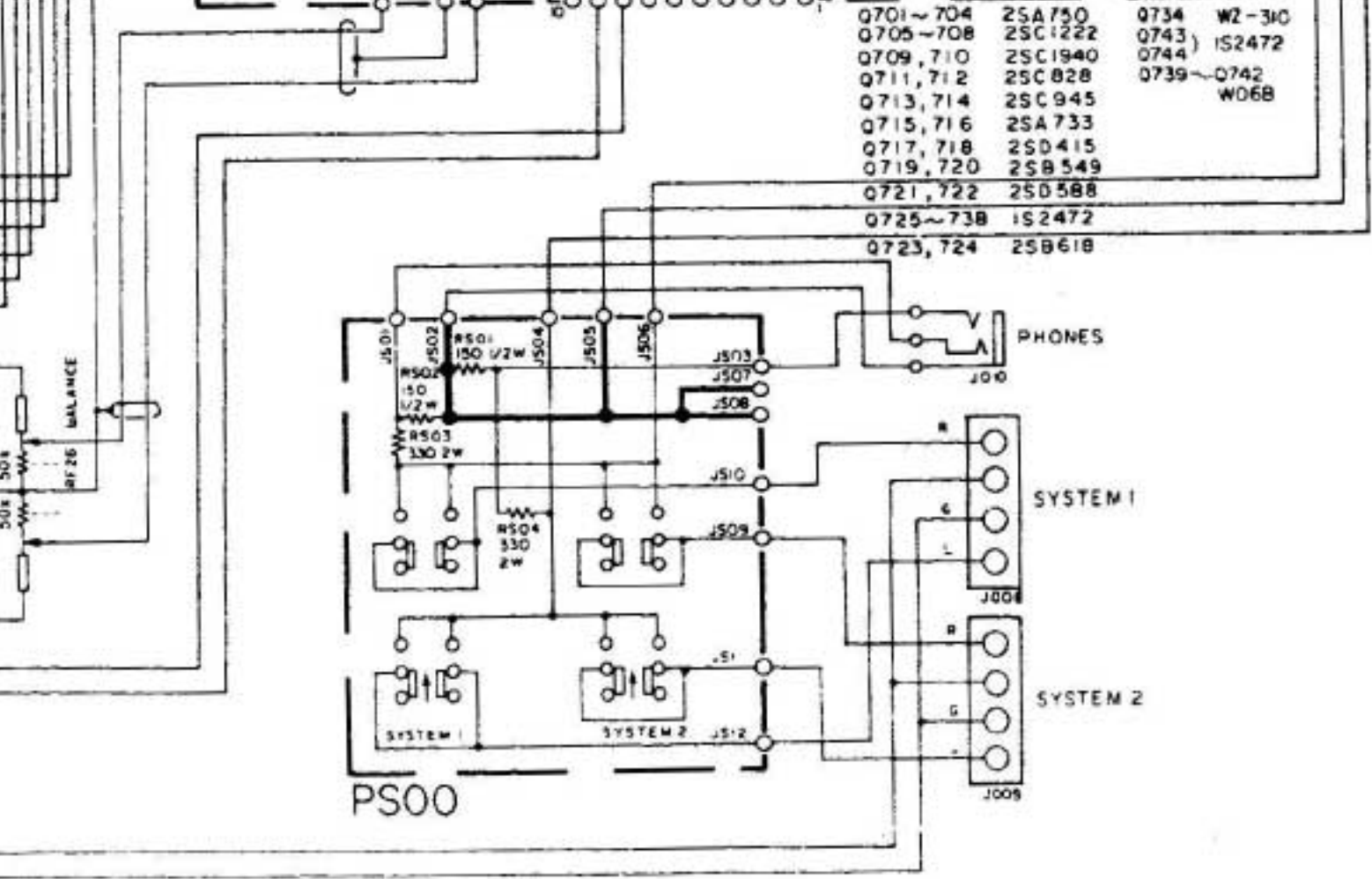
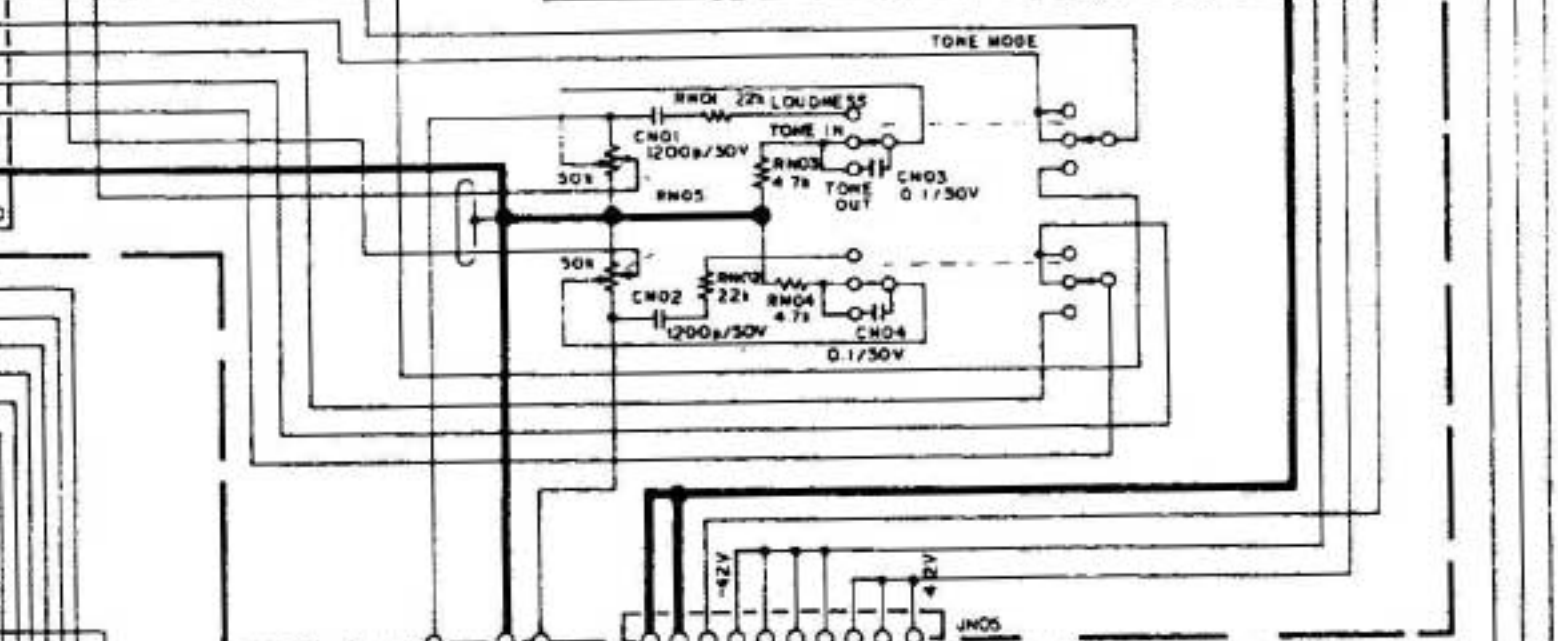
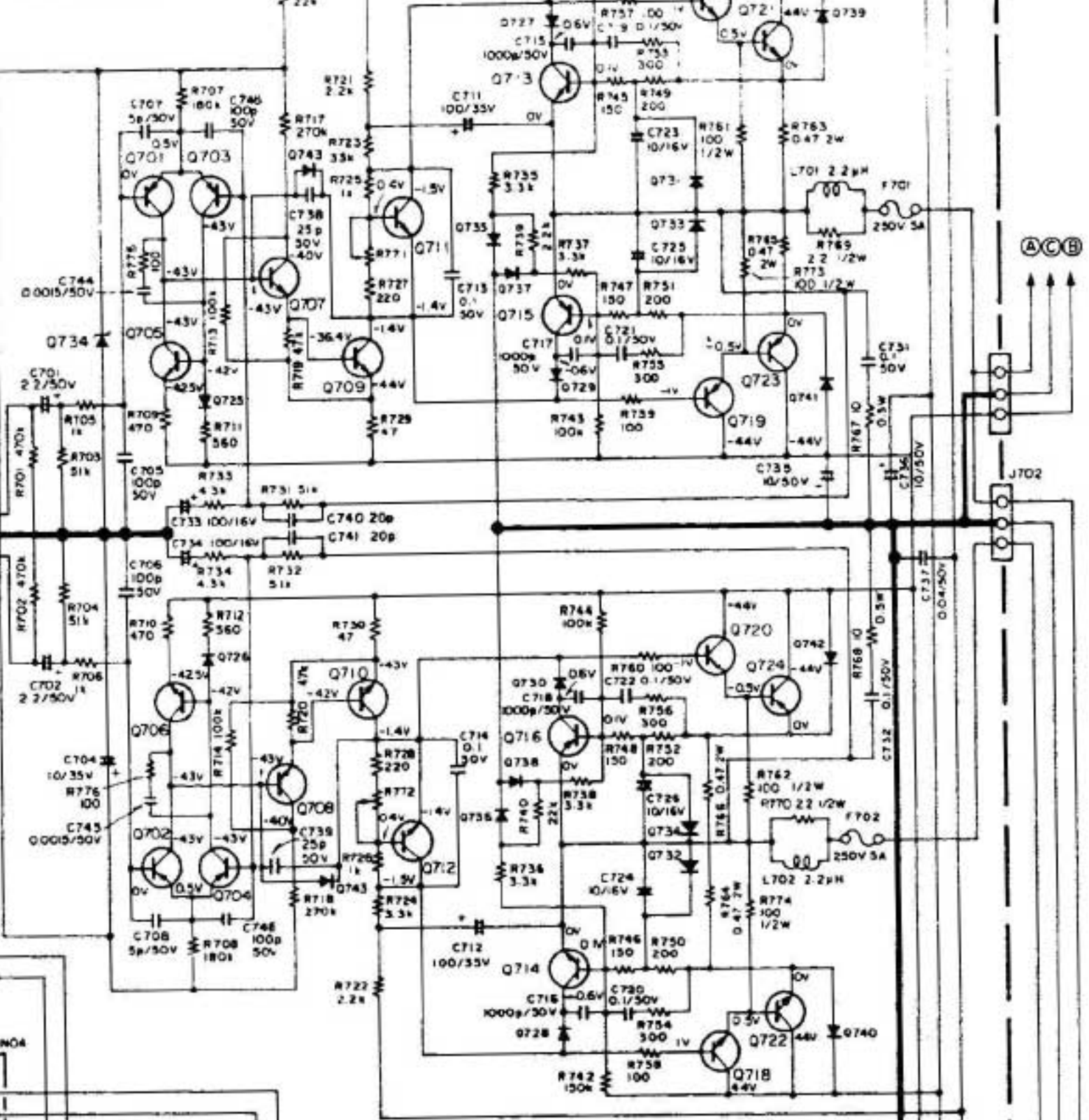


For (n) TYPE





P700
MAIN AMP ASSY



- | | | | |
|------------|---------|-------------|--------|
| Q701 ~ 704 | 25A750 | Q734 | W2-310 |
| Q705 ~ 708 | 25C1222 | Q743 | IS2472 |
| Q709, 710 | 25C1940 | Q744 | IS2472 |
| Q711, 712 | 25C828 | Q739 ~ Q742 | W06B |
| Q713, 714 | 25C945 | | |
| Q715, 716 | 25A733 | | |
| Q717, 718 | 25D415 | | |
| Q719, 720 | 25B549 | | |
| Q721, 722 | 25D588 | | |
| Q725 ~ 738 | IS2472 | | |
| Q723, 724 | 25B618 | | |

22 QE03,04,07,08 : 25A750

PFO1 TONE CONTROL ASSY

PS00