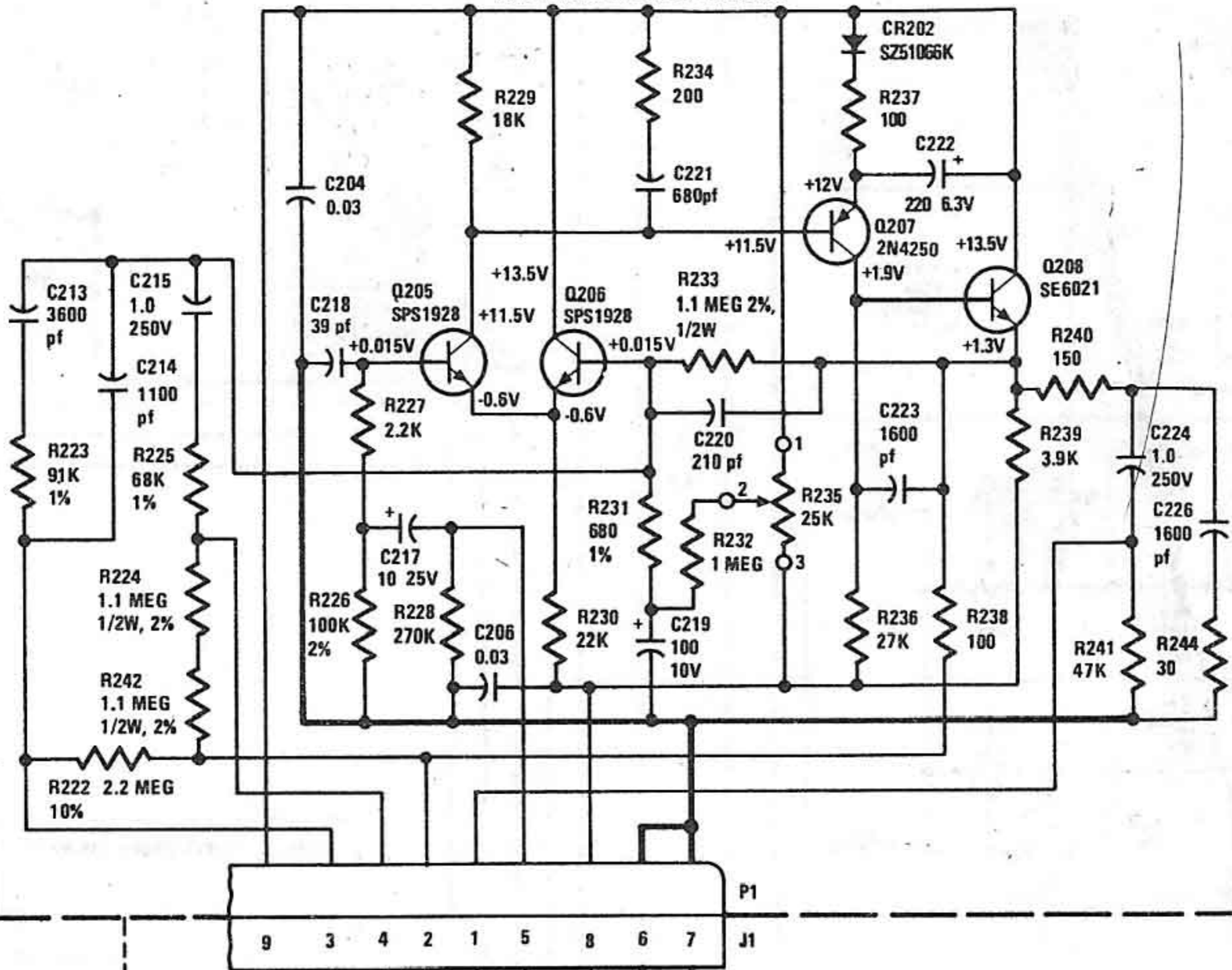
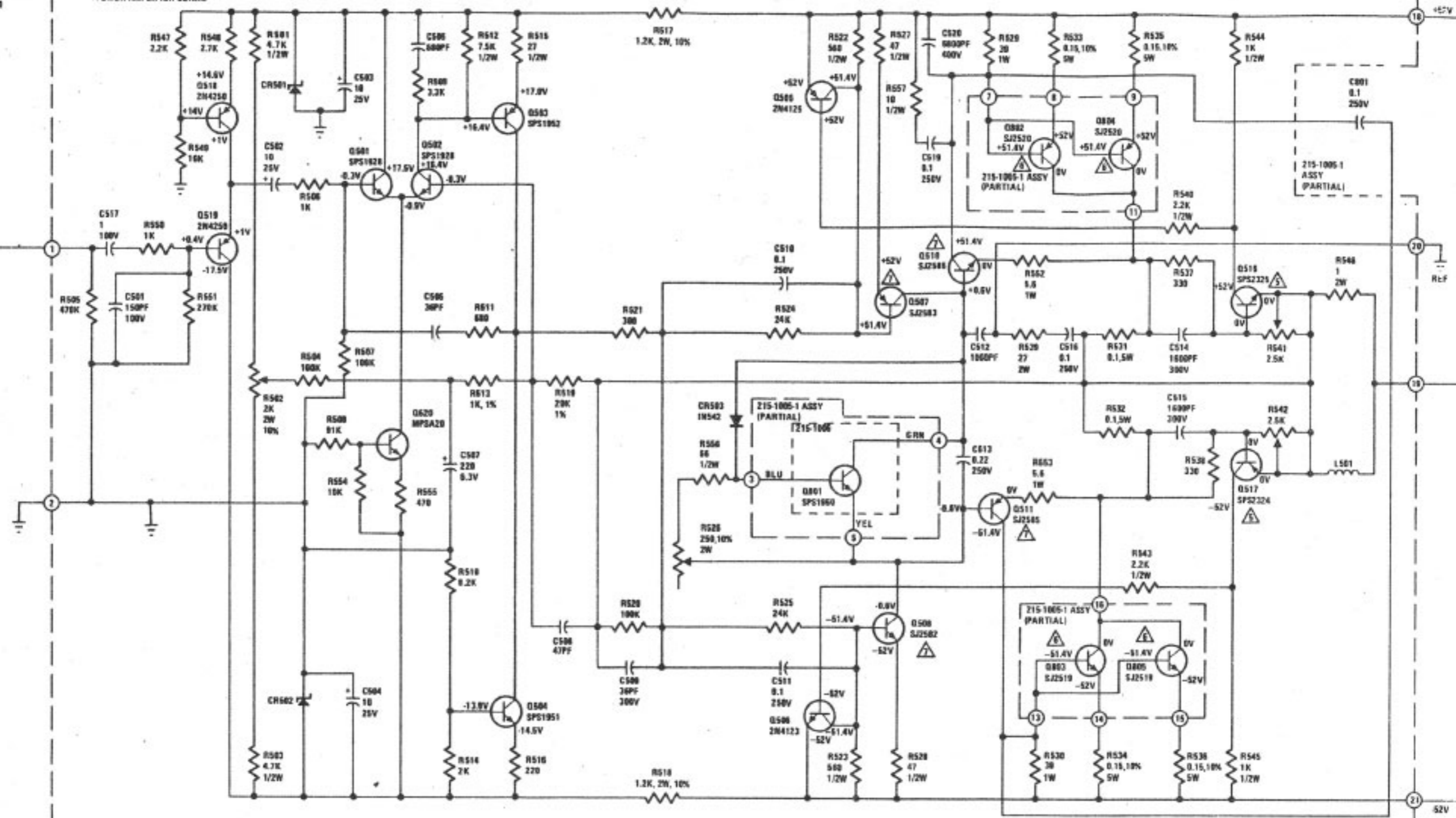


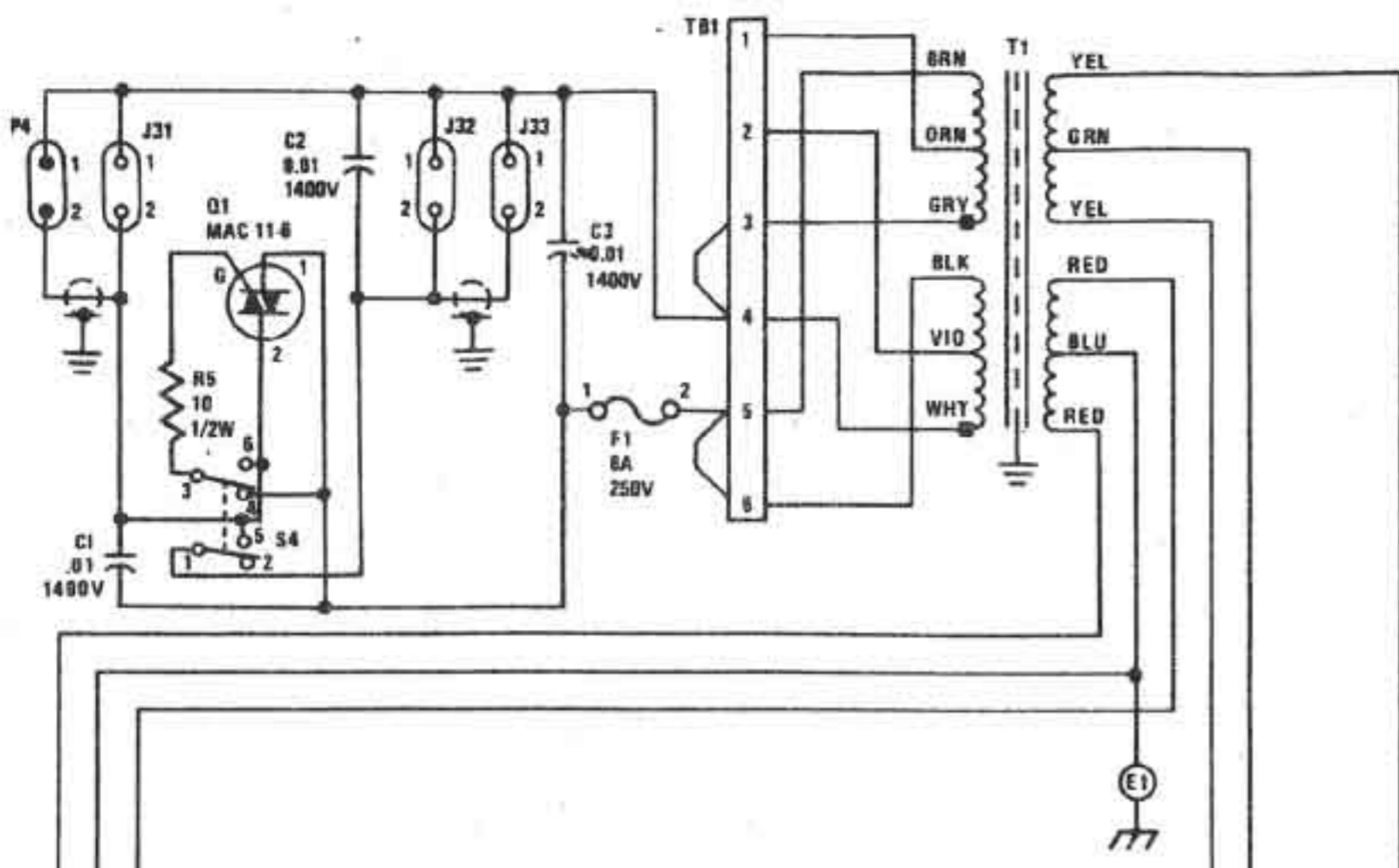
1/2 A2 PHONO AMPL. BD 200-1033-1



AS  
HEATSINK ASSY  
215-1005-1

ASSY 200-1026-1  
POWER AMPLIFIER BOARD

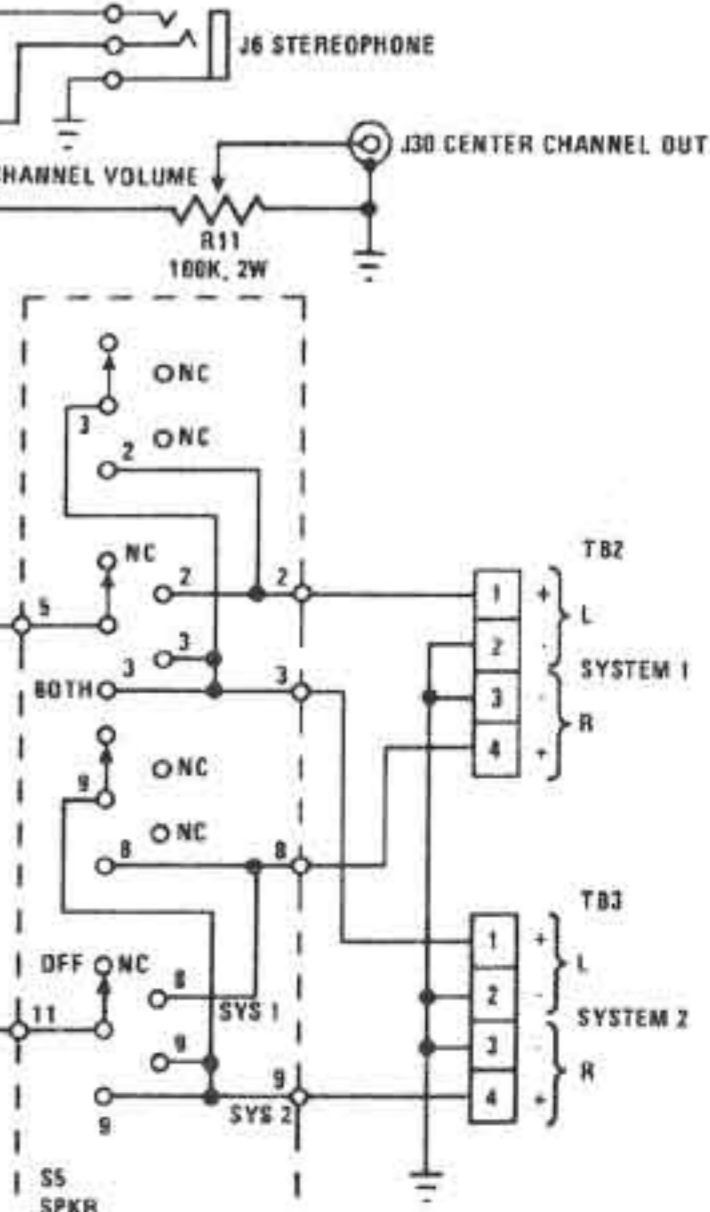
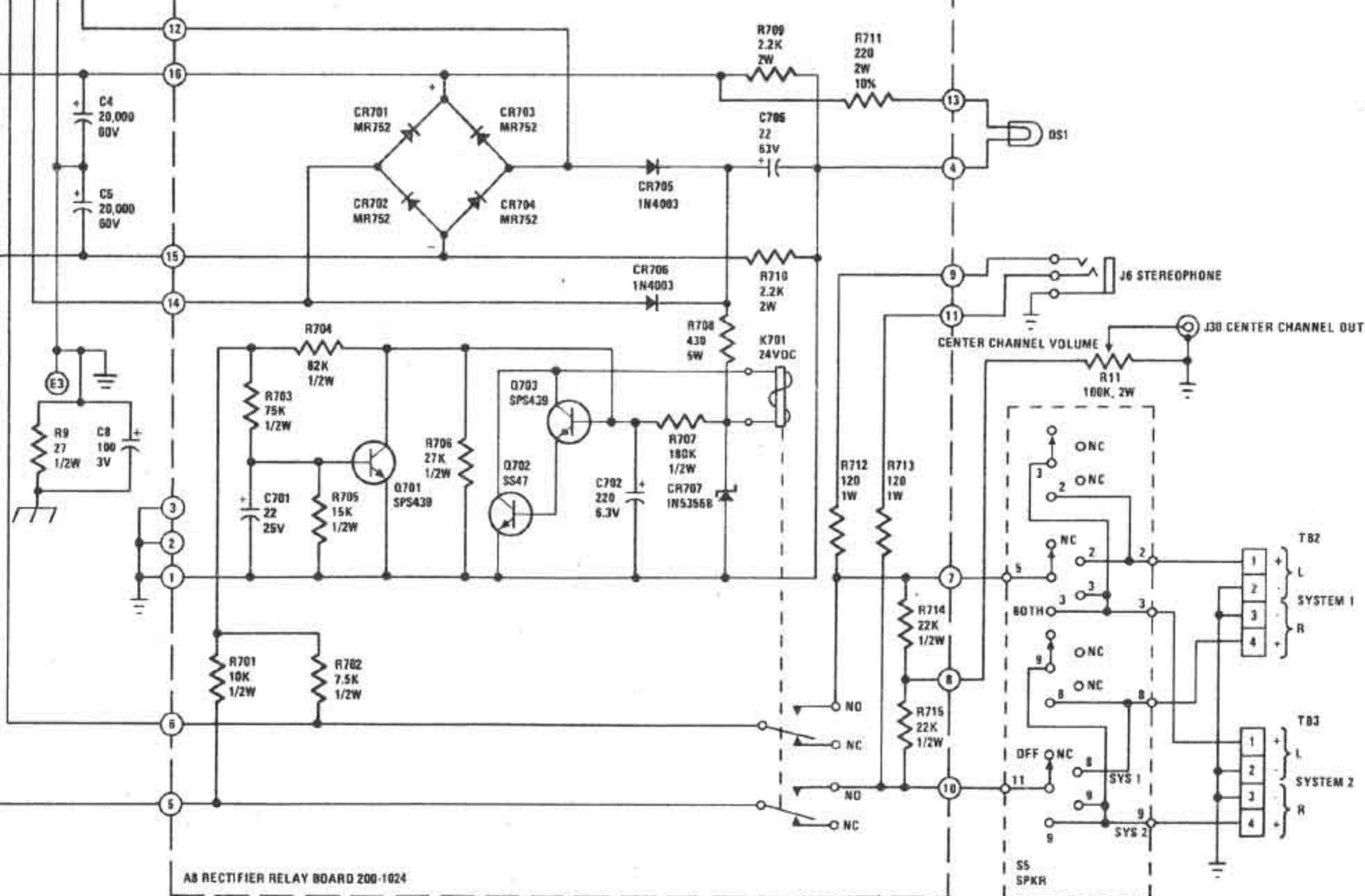
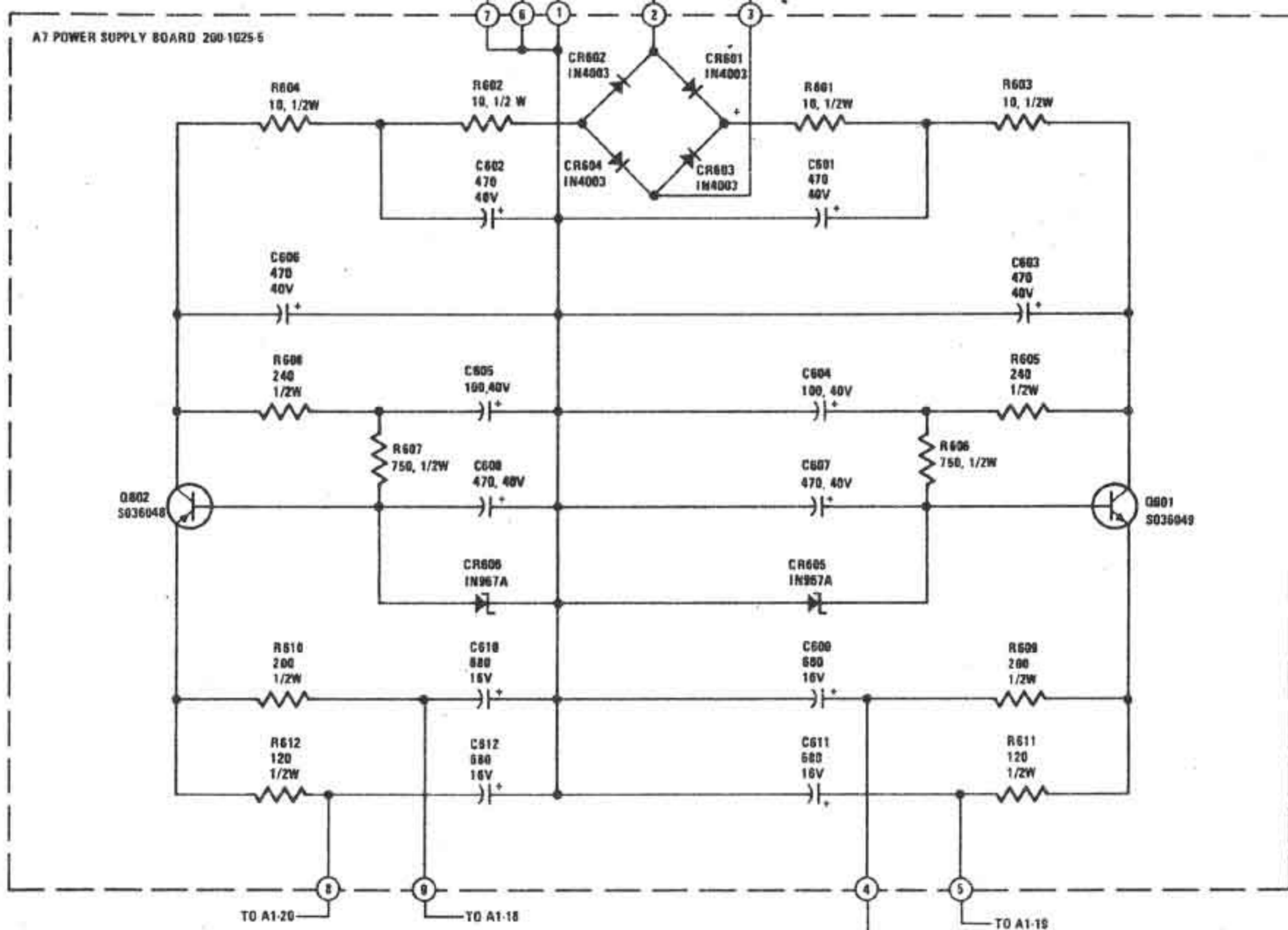


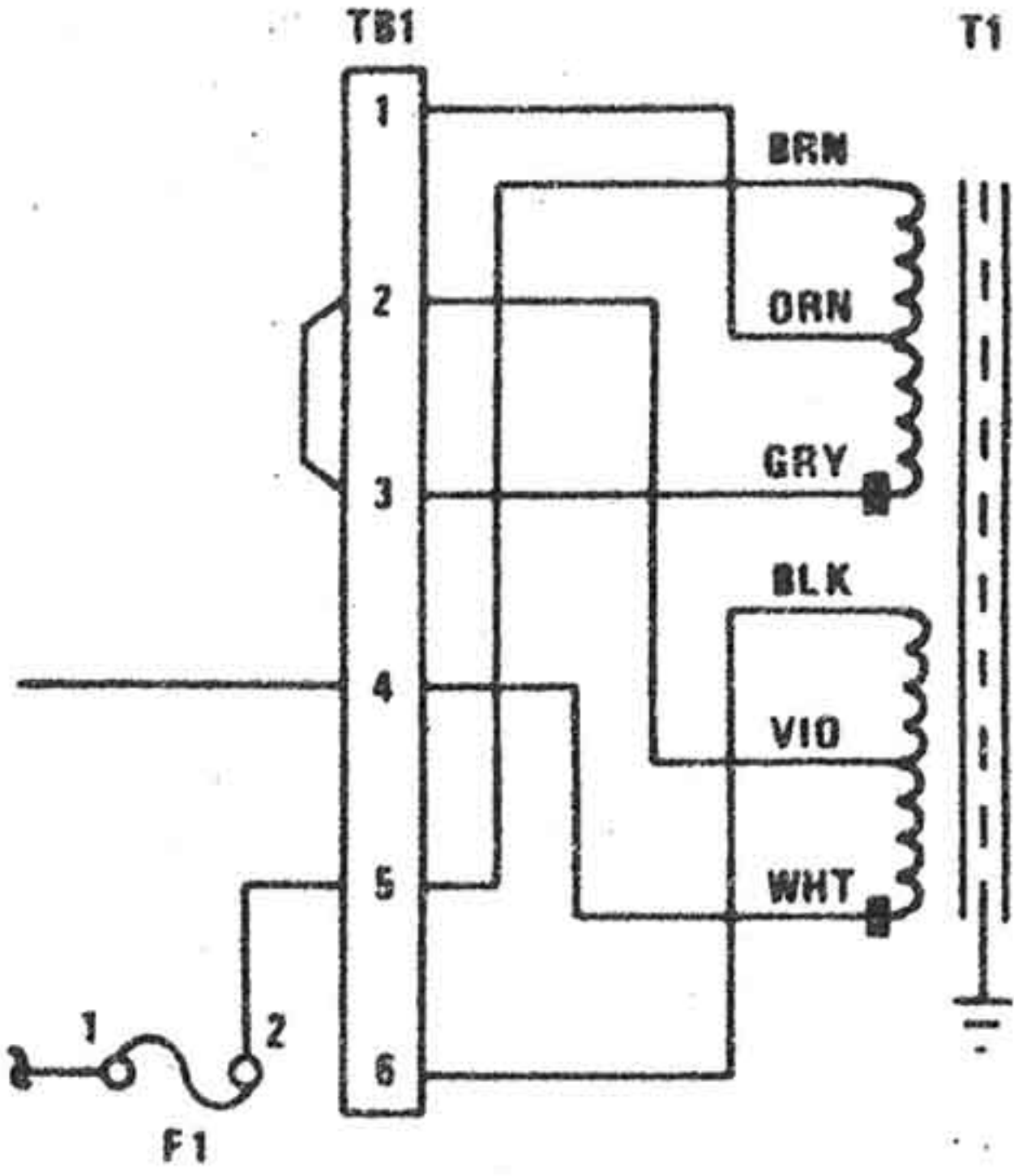


TRANSISTOR SPECIFICATIONS			
REF. DES.	V <sub>CEO</sub>	BETA (H <sub>FE</sub> ) RANGE	DASH NO./COLOR CODE
Q507	IV 120	90 TO 200	-41/BLU
Q508		200-300	-43/GRY
Q510	IV 120	50 TO 79	-41/ORN
Q511		80 TO 124	-42/YEL
		125 & UP	-43/BLU
Q516	IV 120	40-150	-31/RED
Q517		151 & UP	-32/VIO
Q802	IV 120	30-49	-11/RED
Q803		50-69	-12/ORN
Q804		70-99	-13/YEL
Q805		100-120	-14/GRN

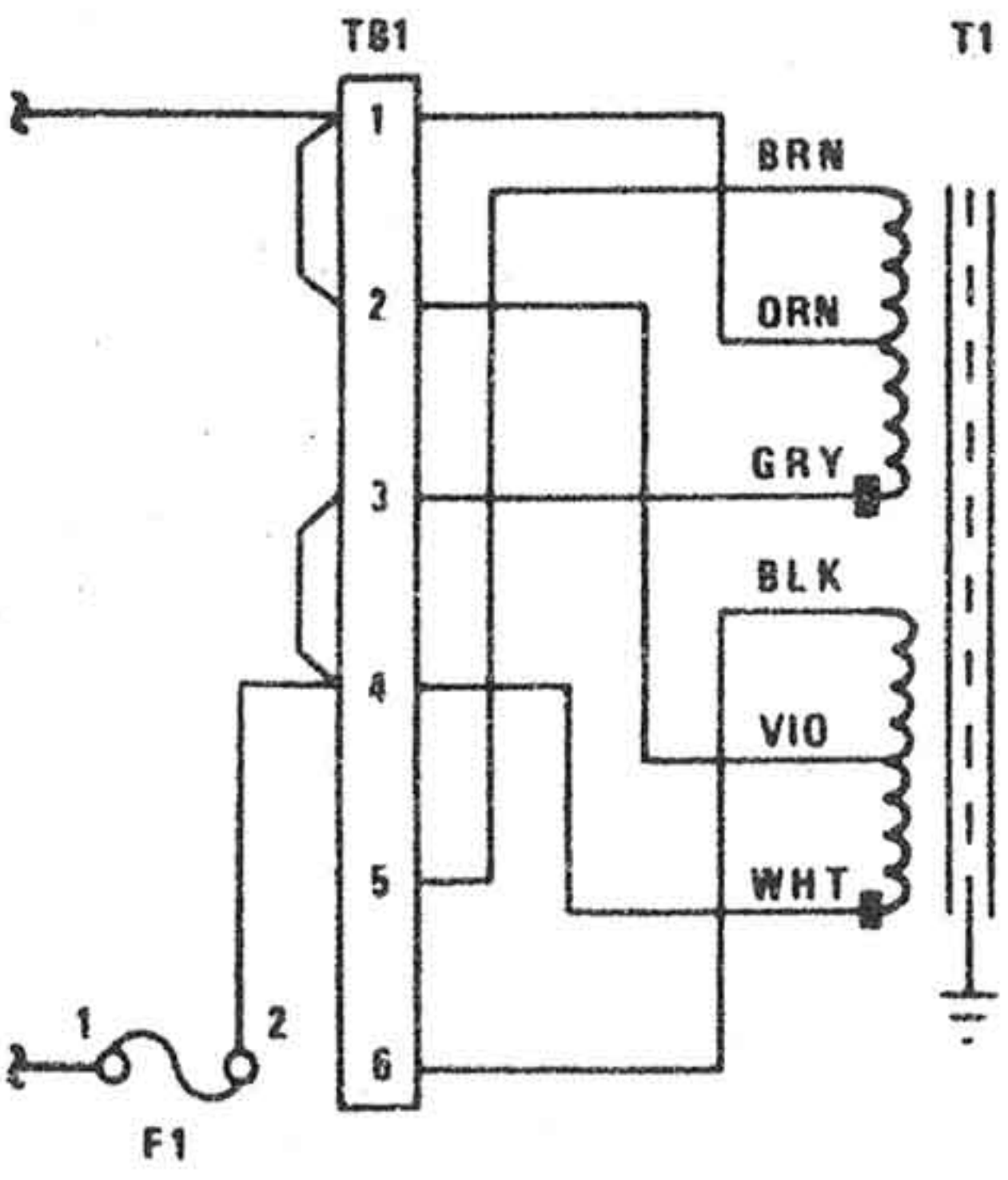
NOTES: UNLESS OTHERWISE SPECIFIED

- ALL CAPACITOR VALUES ARE IN MICRO-FARADS ; 100V
- ALL DIODES ARE 1N9678
- ALL RESISTORS ARE 1/4W; VALUES ARE IN OHMS, ±5% FOR COMPONENT ASSY SEE DWG 200-1020-1 & DWG 215-1005-1.
- TRANSISTOR PAIR Q516-Q517 TO BE MATCHED IN SAME BETA RANGE. Q802 TO BE IN SAME BETA RANGE AS Q803 Q804 TO BE IN SAME BETA RANGE AS Q805 TRANSISTOR PAIR Q802-Q803 TO BE MATCHED TO PAIR Q804-Q805 WITHIN ONE BETA RANGE TRANSISTOR PAIRS Q507-Q508 & Q510-Q511 TO BE MATCHED WITHIN ONE BETA RANGE

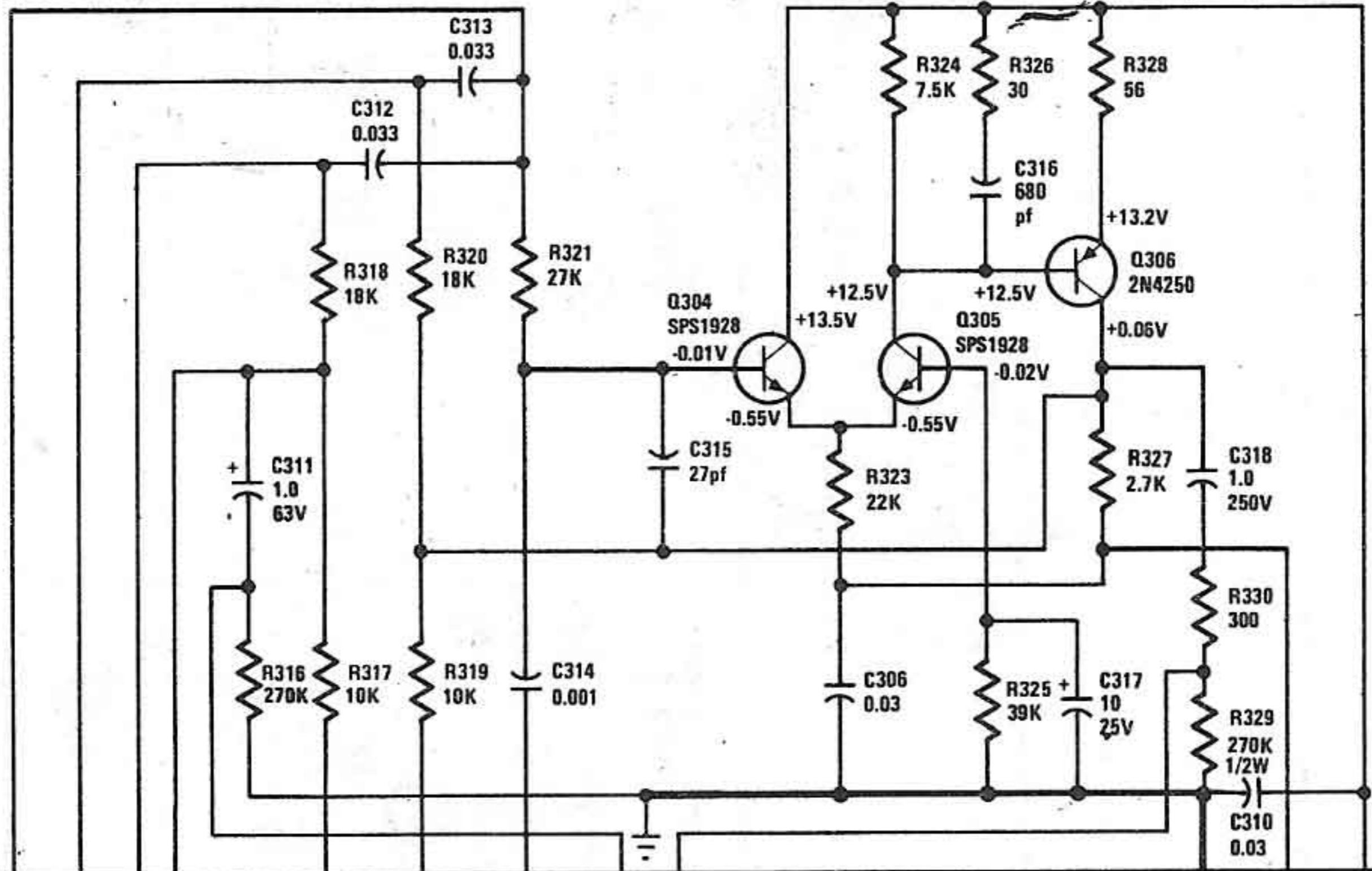




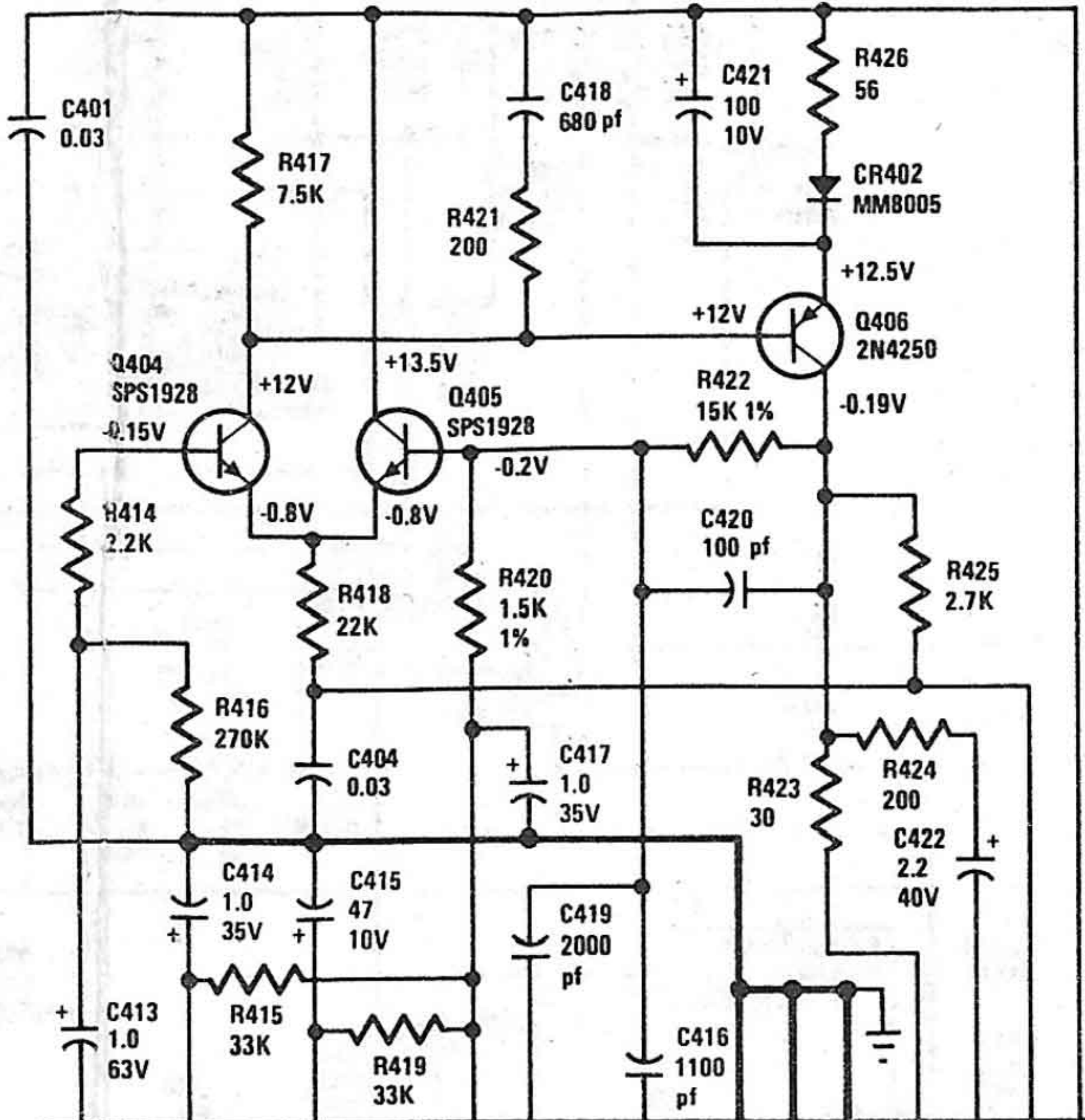
220 V CONVERSION WIRING



100 V CONVERSION WIRING

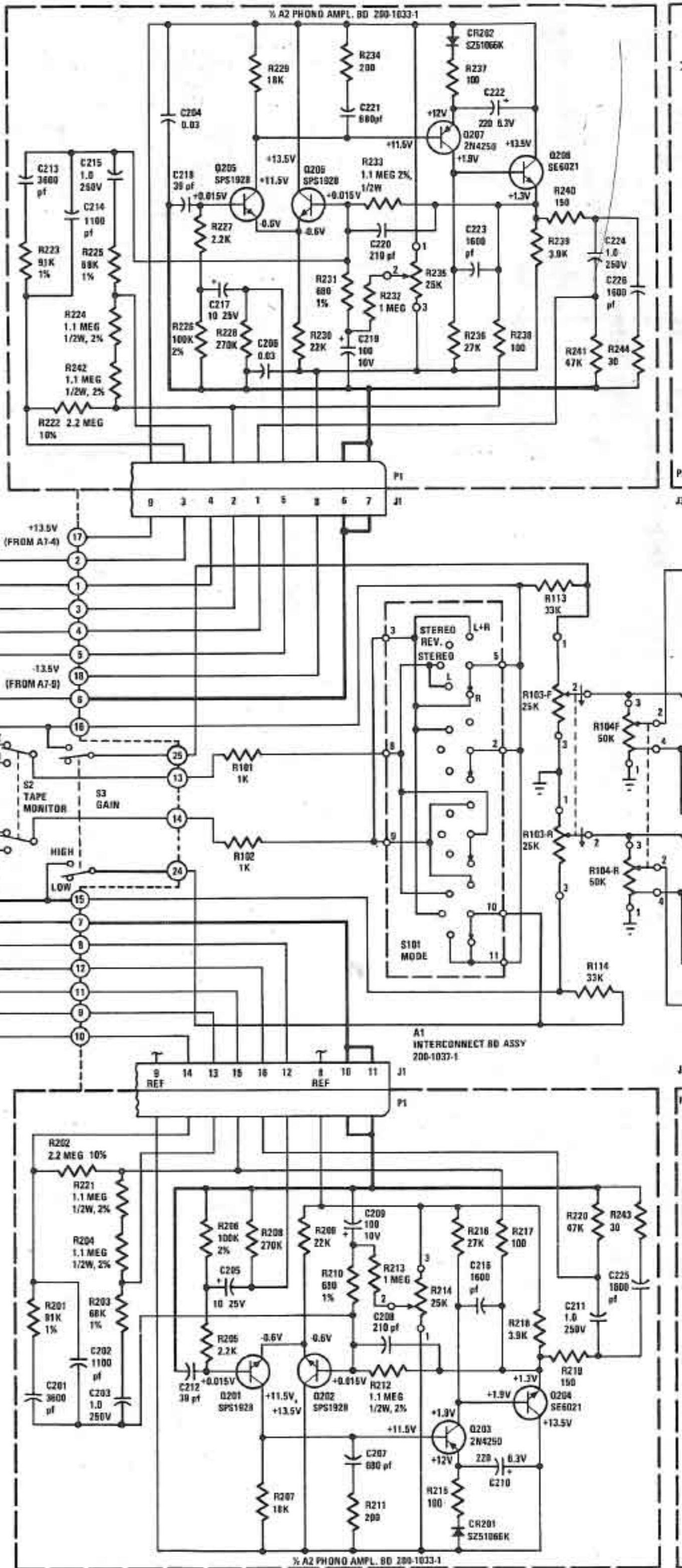
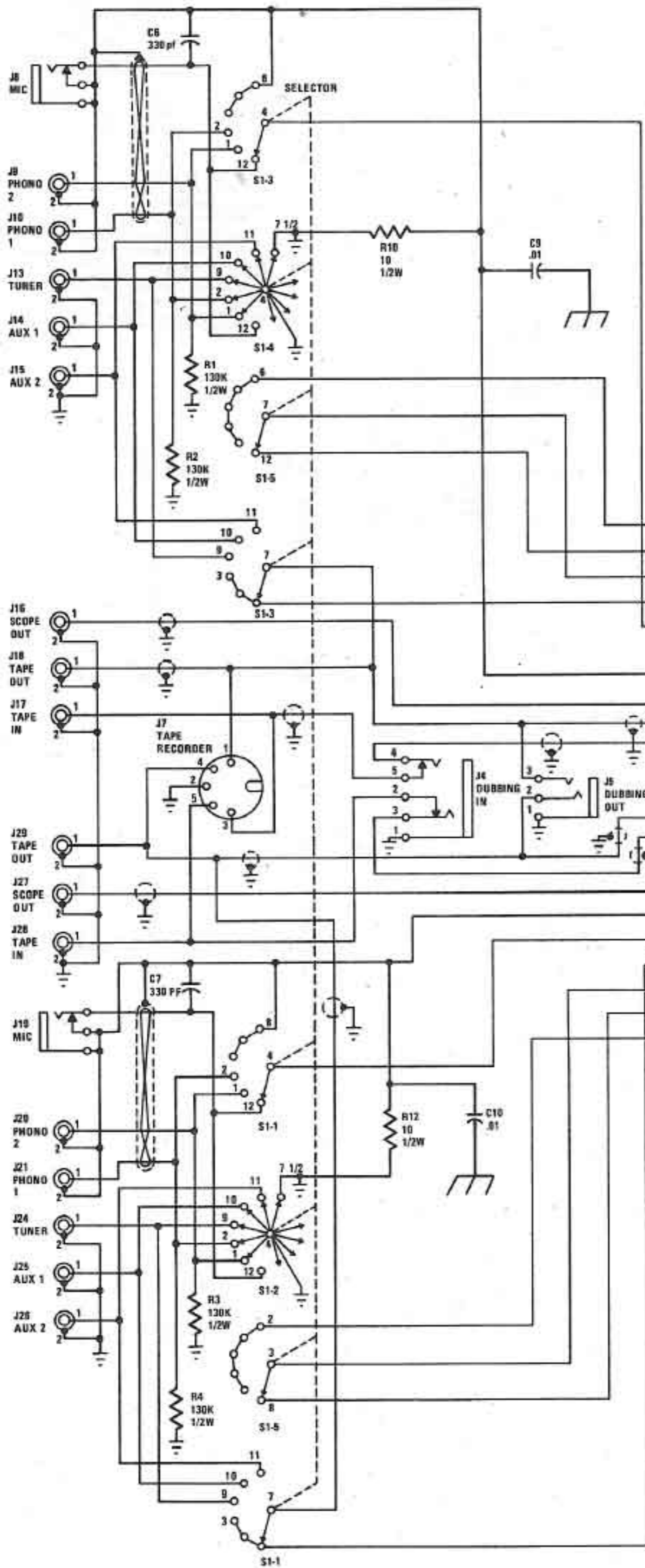


½ A3 X 10 AMPL. BD. 200-1022-1



P3

J3 10 5 4 6 2 1 13 15 16 3 8 24 23



1/2 A3 X 10 AMPL. BD. 200-1022-1

1/2 A4 TONE BD. 200-1023-1

