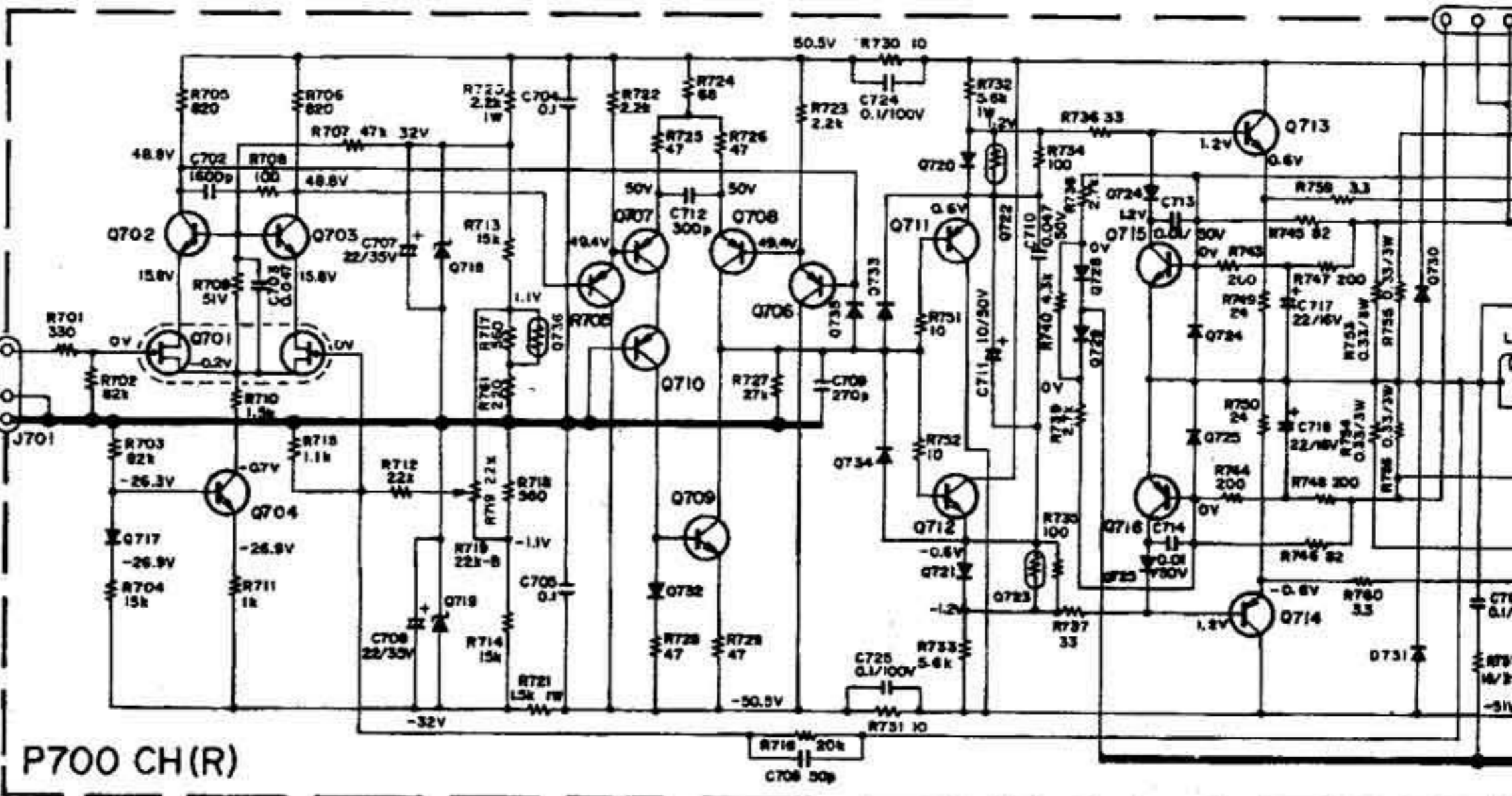
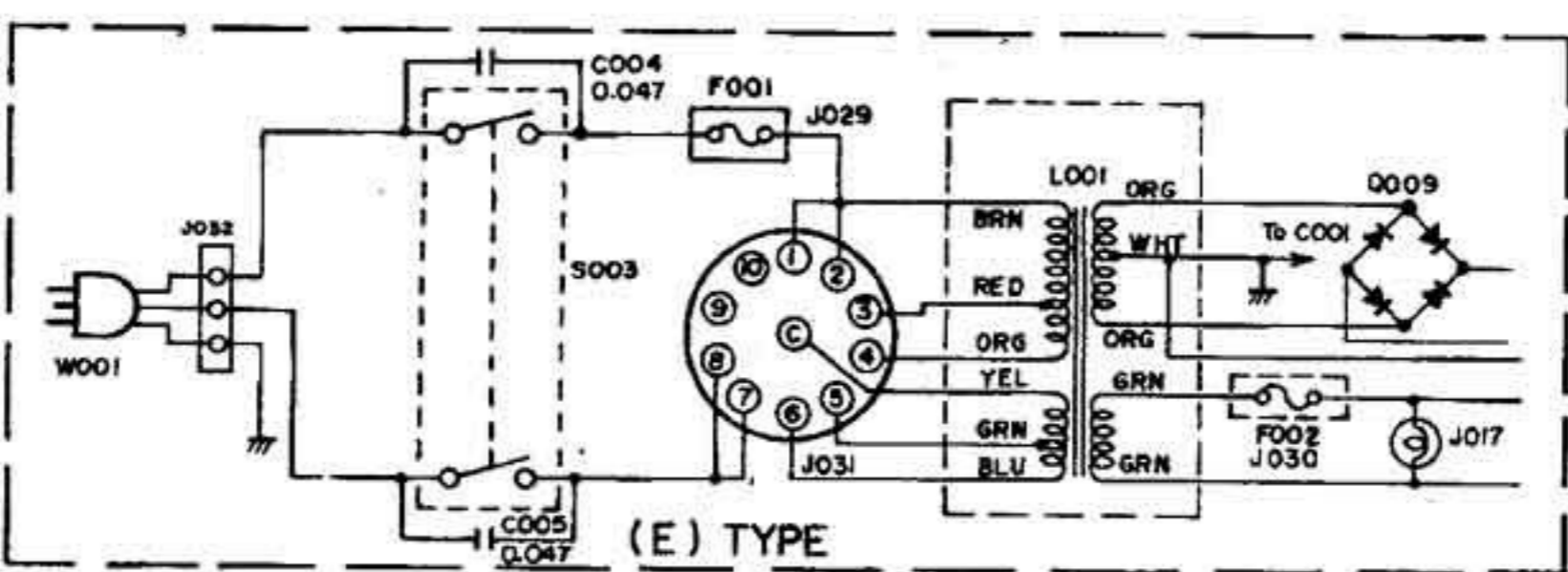


P700 CH(L)

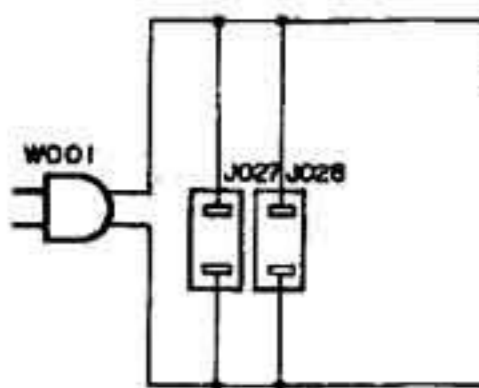
- | | | | | | | | | | | |
|----------------|----------------------------|---------------------------------|--------------------|-------------------------|-------------------------|------------------------|------------------------|------------------------|-------------------|--|
| Q701
2SK109 | Q702~Q704,
2SC1775A(EF) | Q705~Q708
Q710
2SA872A(E) | Q711
2SA914(RS) | Q712
2SC1953
(RS) | Q713
2SC1913
(QR) | Q714
2SA913
(QR) | Q715
2SC945
(QR) | Q716
2SA733
(QR) | Q720,Q721
MV-1 | Q717
Q724~Q726
Q732~Q734
1S1556 |
|----------------|----------------------------|---------------------------------|--------------------|-------------------------|-------------------------|------------------------|------------------------|------------------------|-------------------|--|



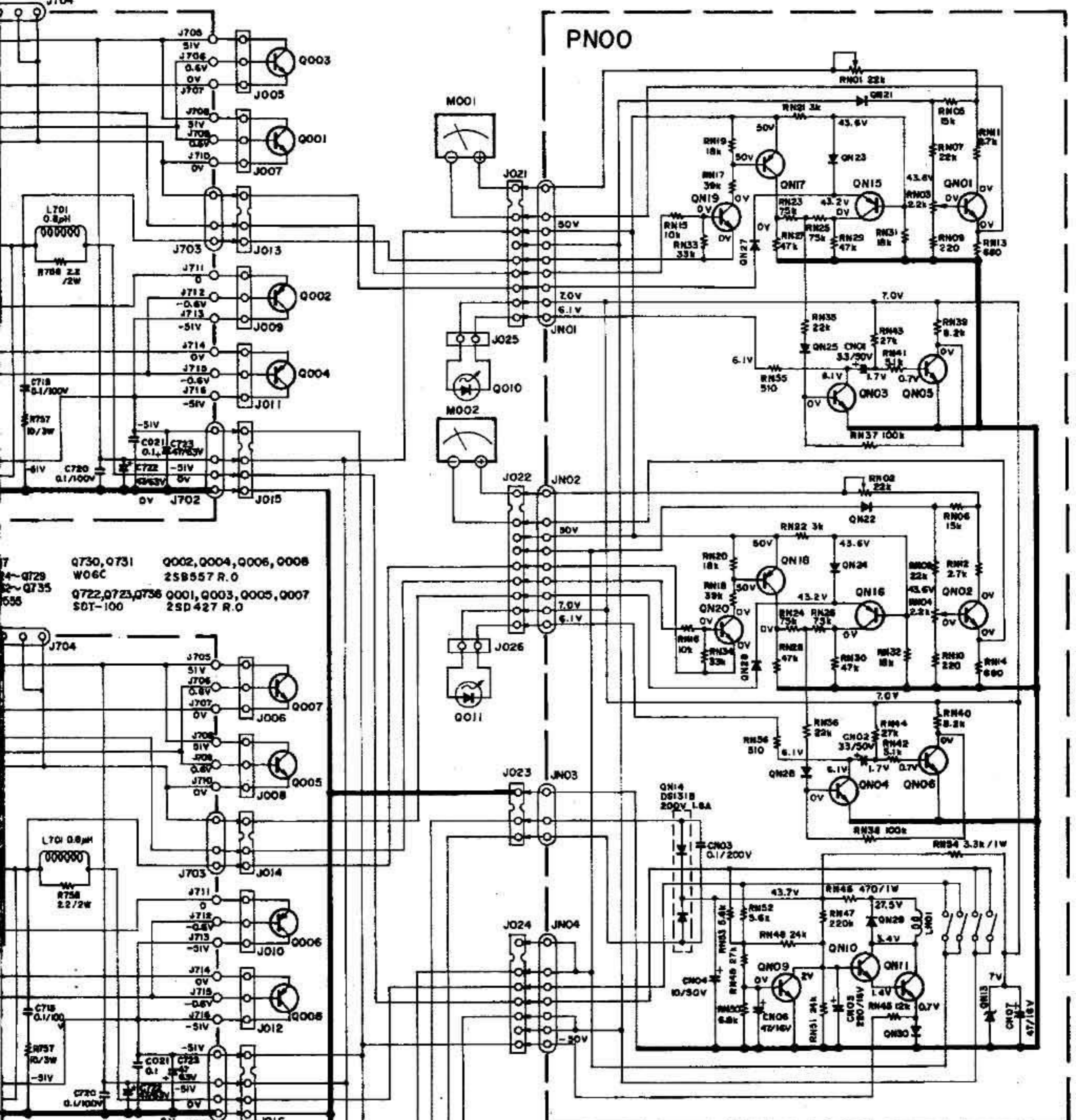
P700 CH(R)



(E) TYPE



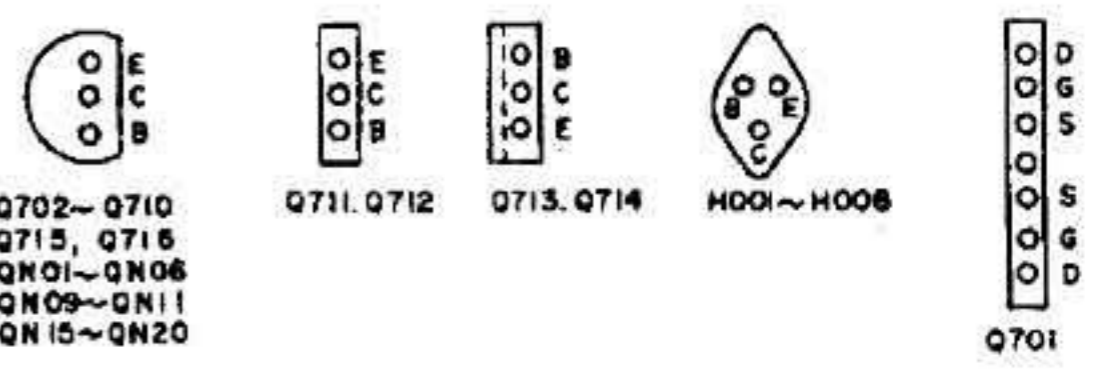
PN00



Q730, Q731 W06C
 Q002, Q004, Q006, Q008 25B557 R.0
 Q722, Q723, Q736 S0T-100
 Q001, Q003, Q005, Q007 25D427 R.0

- | | | | |
|-----------------------------|----------------------------|--------------------------|---------------------------|
| QN01~QN06, QN09
25C945OR | QN10, QN11
25C1318 Q.RS | QN15~QN18
25A872A.D.E | QN19, QN20
25C1775A.EF |
| QN21, QN22
1S2471 | QN23~QN26
1S2473 | QN27, QN28
1S2092 | QN29, QN30
W06B |

TRANSISTOR CONNECTION
 (BOTTOM VIEW)
 B: BASE C: COLLECTOR E: EMITTER



Q702~Q710
 Q715, Q716
 QN01~QN06
 QN09~QN11
 QN15~QN20

Q711, Q712

Q713, Q714

M001~M008

Q701

NOTE: NO MARKING RESISTOR: 1/4W

