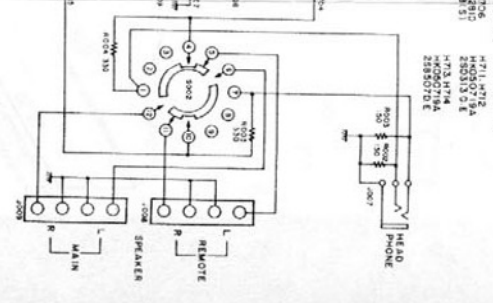
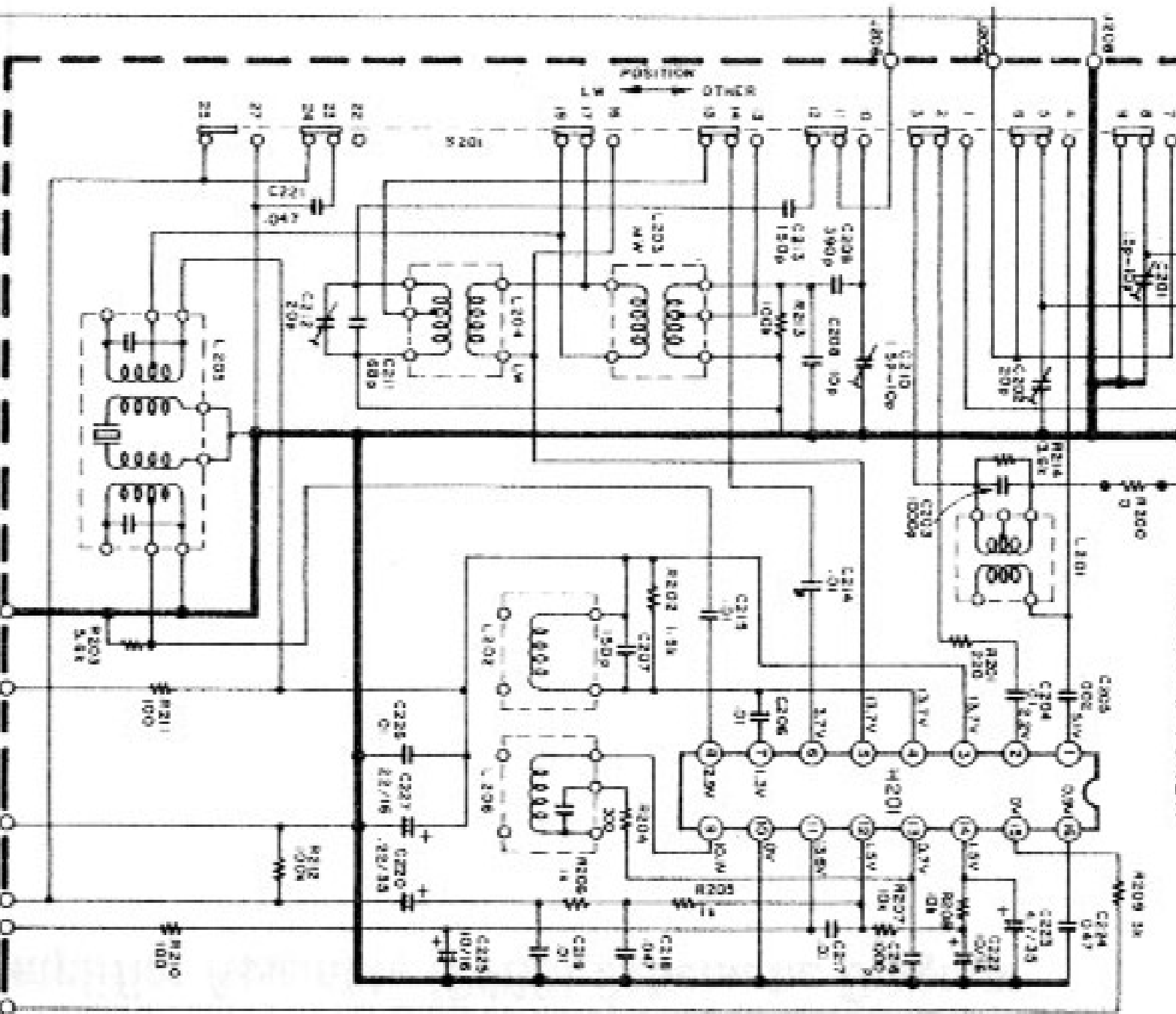


- H201 1.0K
- H202 2.0K
- H203 1.0K
- H204 5.0K
- H205 1.0K
- H206 1.0K
- H207 1.0K
- H208 1.0K
- H209 1.0K
- H210 1.0K
- H211 1.0K
- H212 1.0K
- H213 1.0K
- H214 1.0K
- H215 1.0K
- H216 1.0K
- H217 1.0K
- H218 1.0K
- H219 1.0K
- H220 1.0K
- H221 1.0K
- H222 1.0K
- H223 1.0K
- H224 1.0K
- H225 1.0K
- H226 1.0K
- H227 1.0K
- H228 1.0K
- H229 1.0K
- H230 1.0K
- H231 1.0K
- H232 1.0K
- H233 1.0K
- H234 1.0K
- H235 1.0K
- H236 1.0K
- H237 1.0K
- H238 1.0K
- H239 1.0K
- H240 1.0K
- H241 1.0K
- H242 1.0K
- H243 1.0K
- H244 1.0K
- H245 1.0K
- H246 1.0K
- H247 1.0K
- H248 1.0K
- H249 1.0K
- H250 1.0K

SEM CONDUCTOR CONNECTION (BOTTOM VIEW)





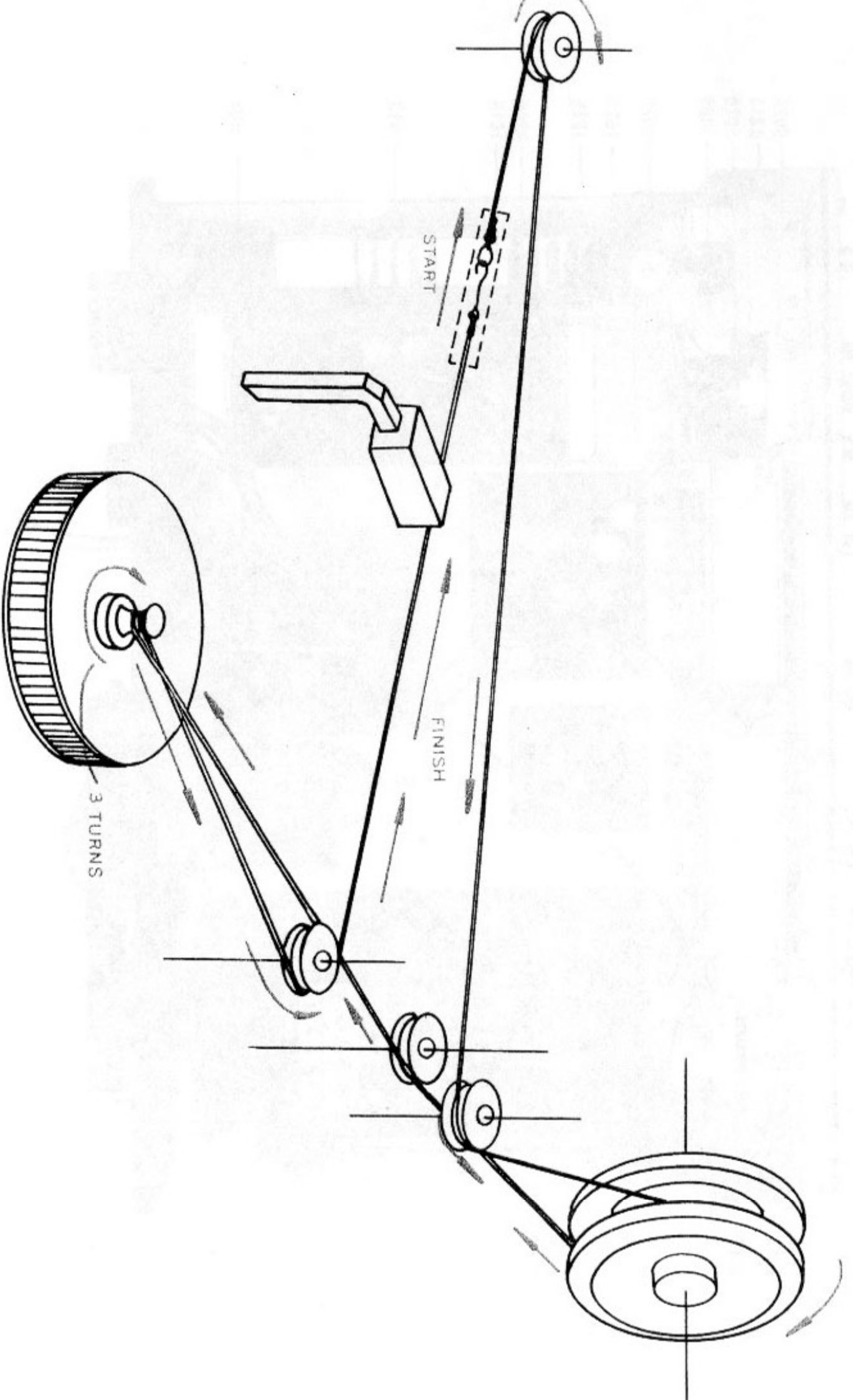


Fig. 1 Dial Stringing

P100 FM TUNER

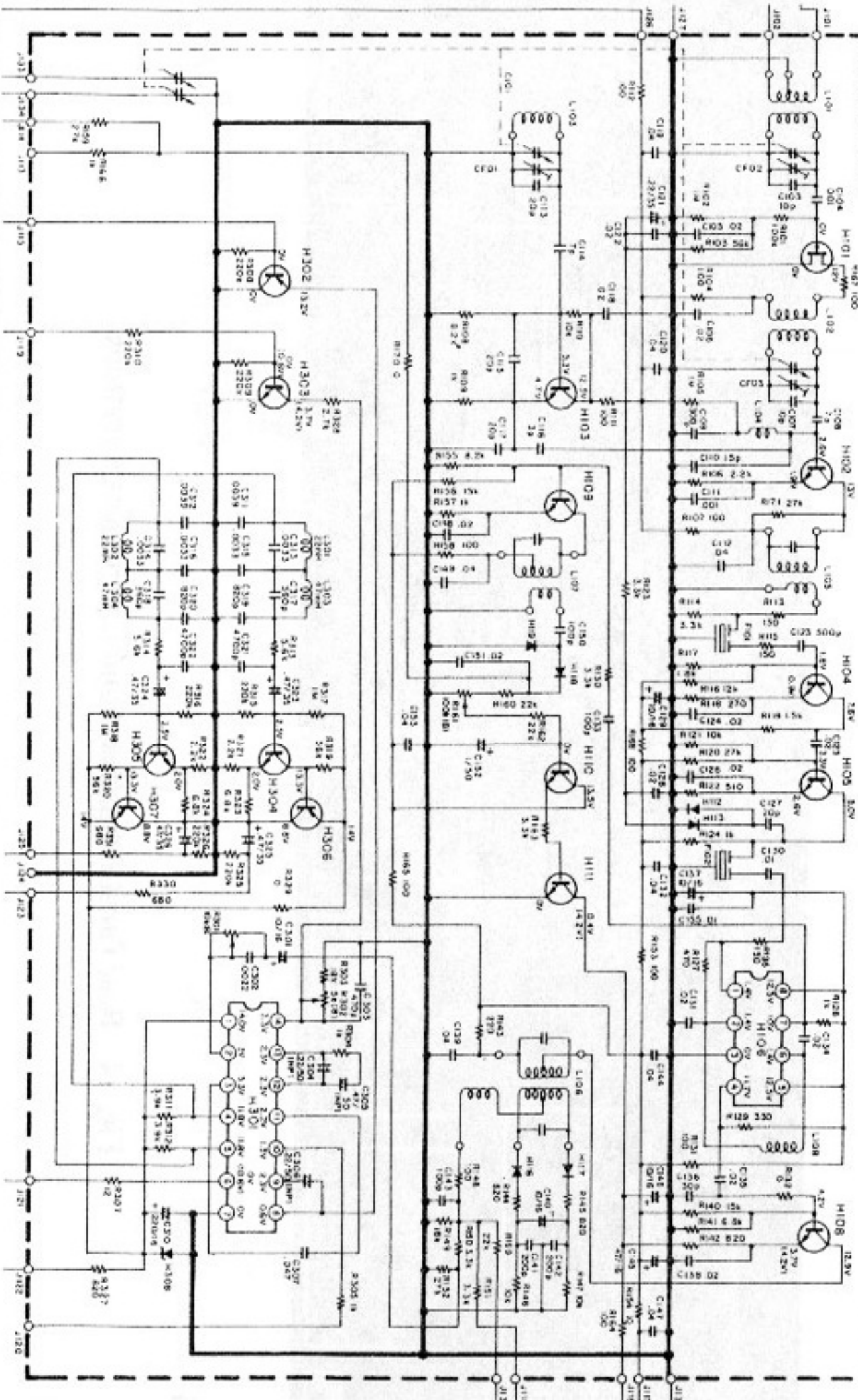


Fig. 6 FM Tuner Assembly (P100) Schematic Diagram

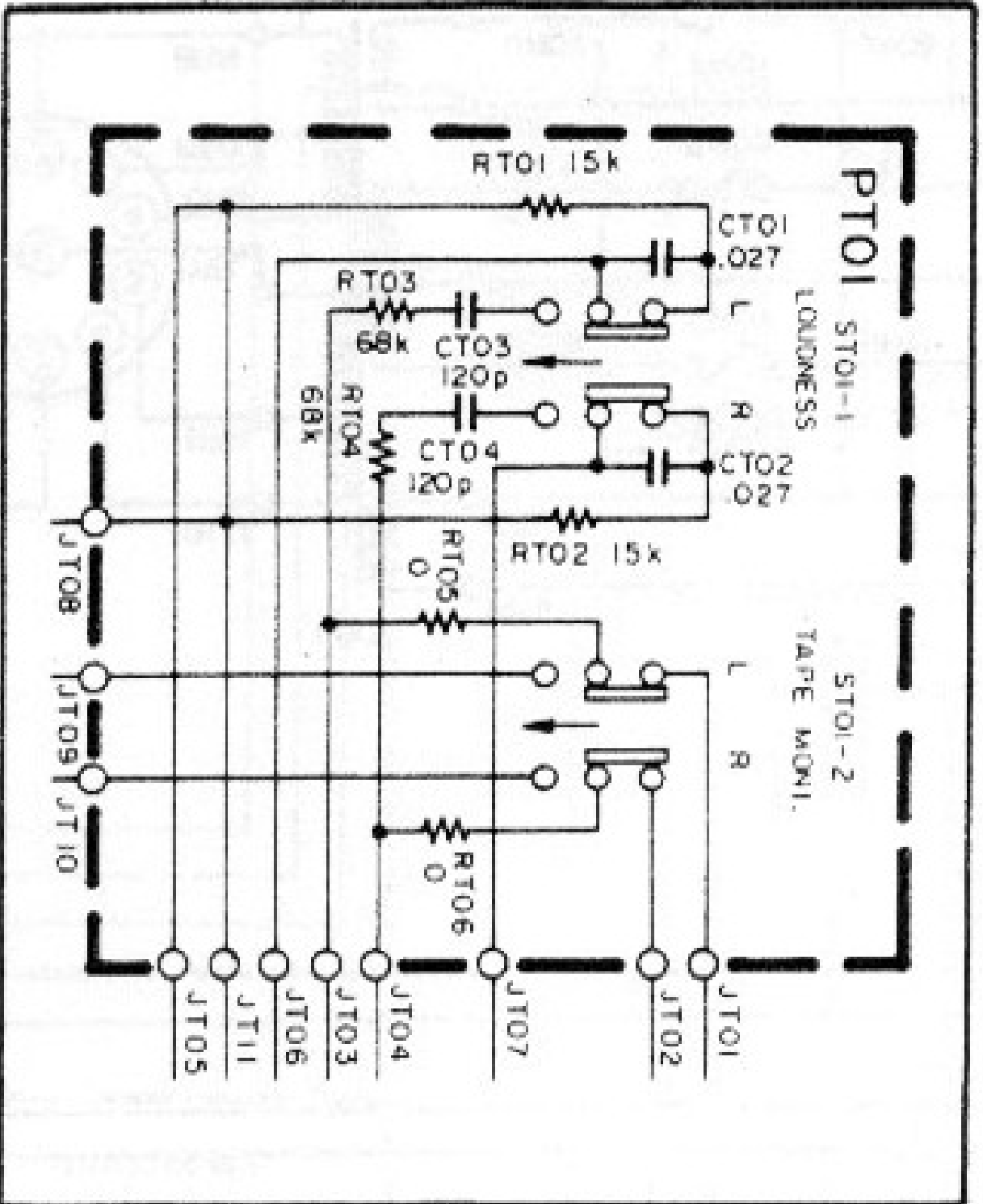


Figure 22 Loudness and Monitor Assembly (PT01) Schematic Diagram

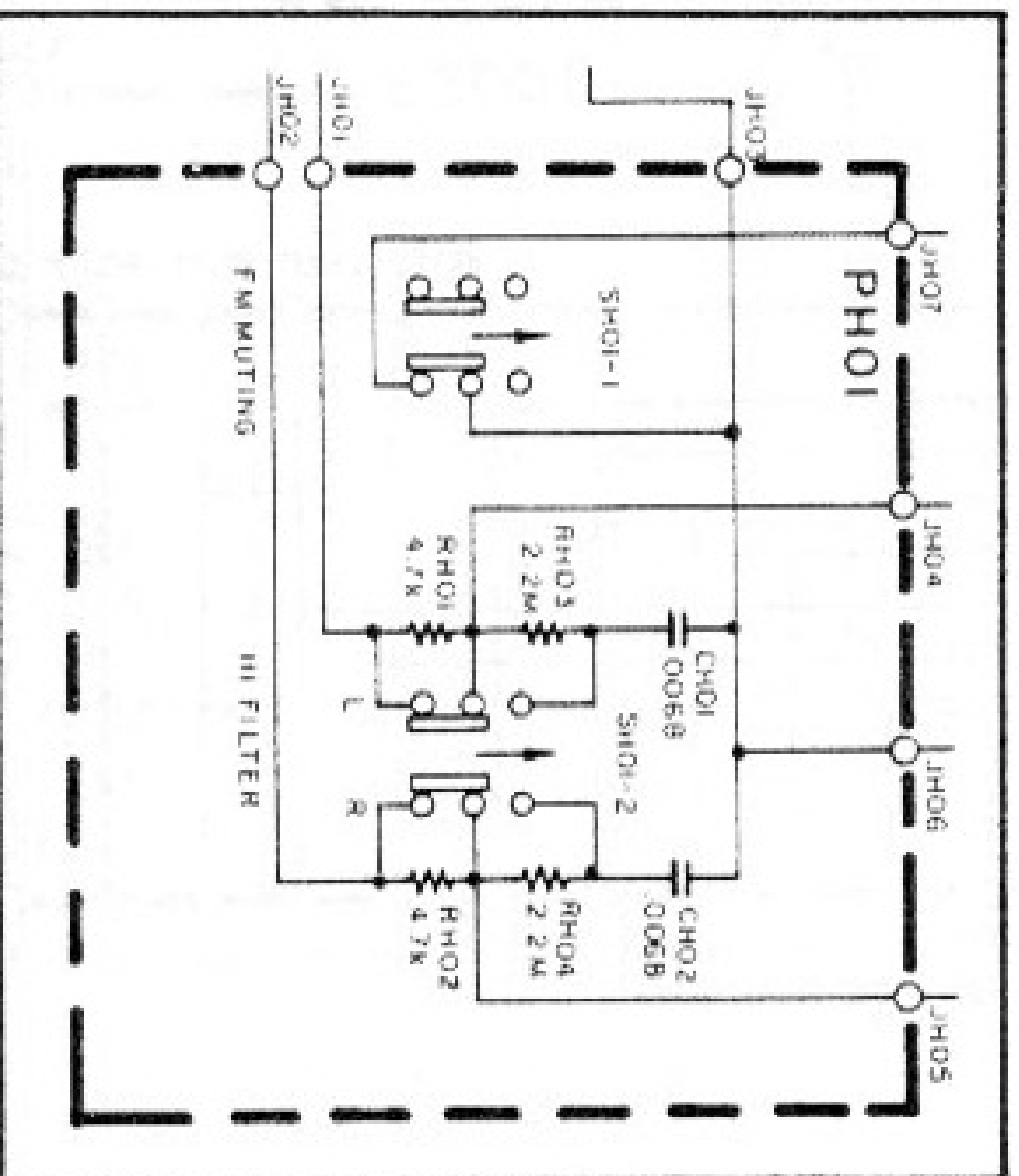
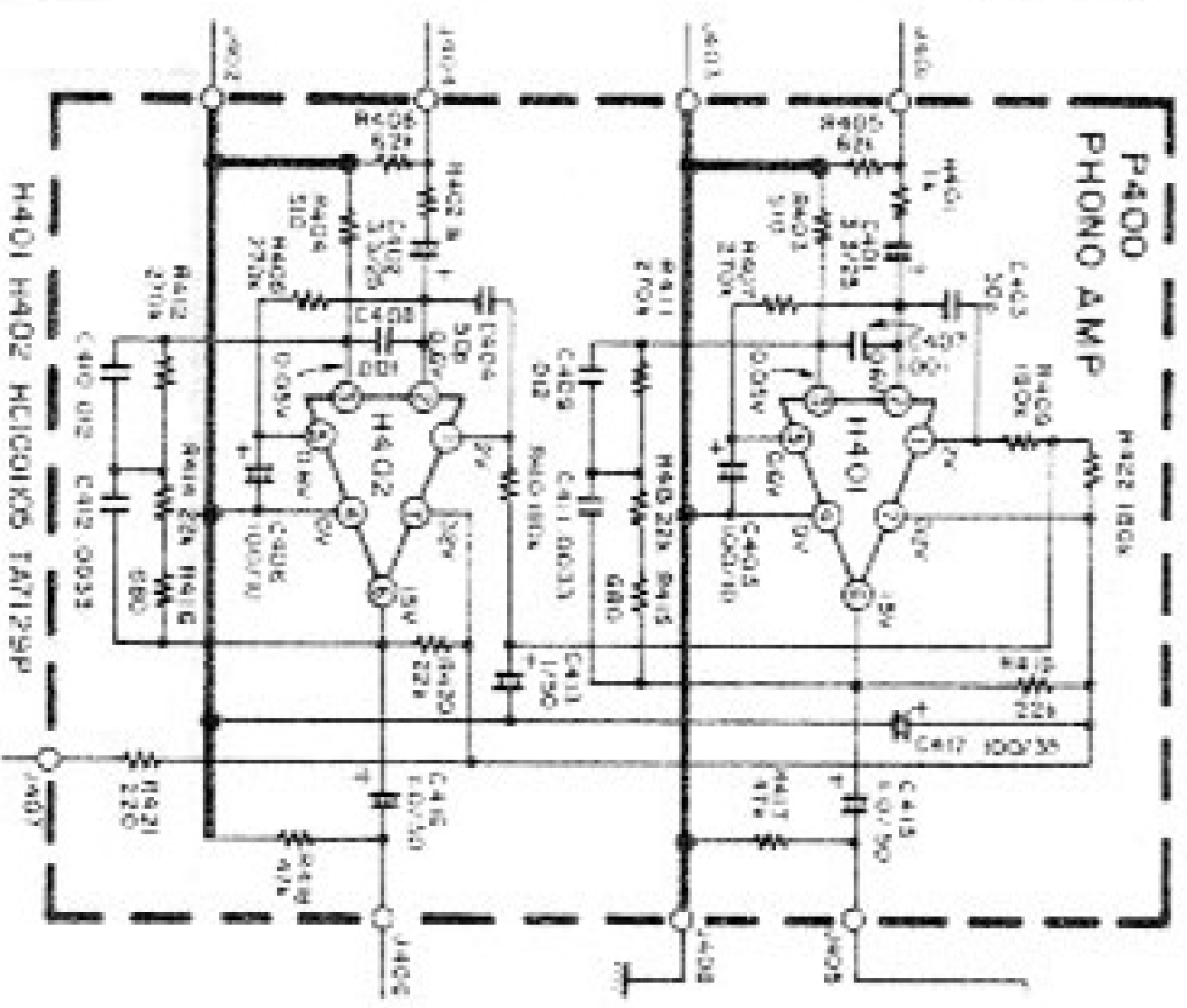
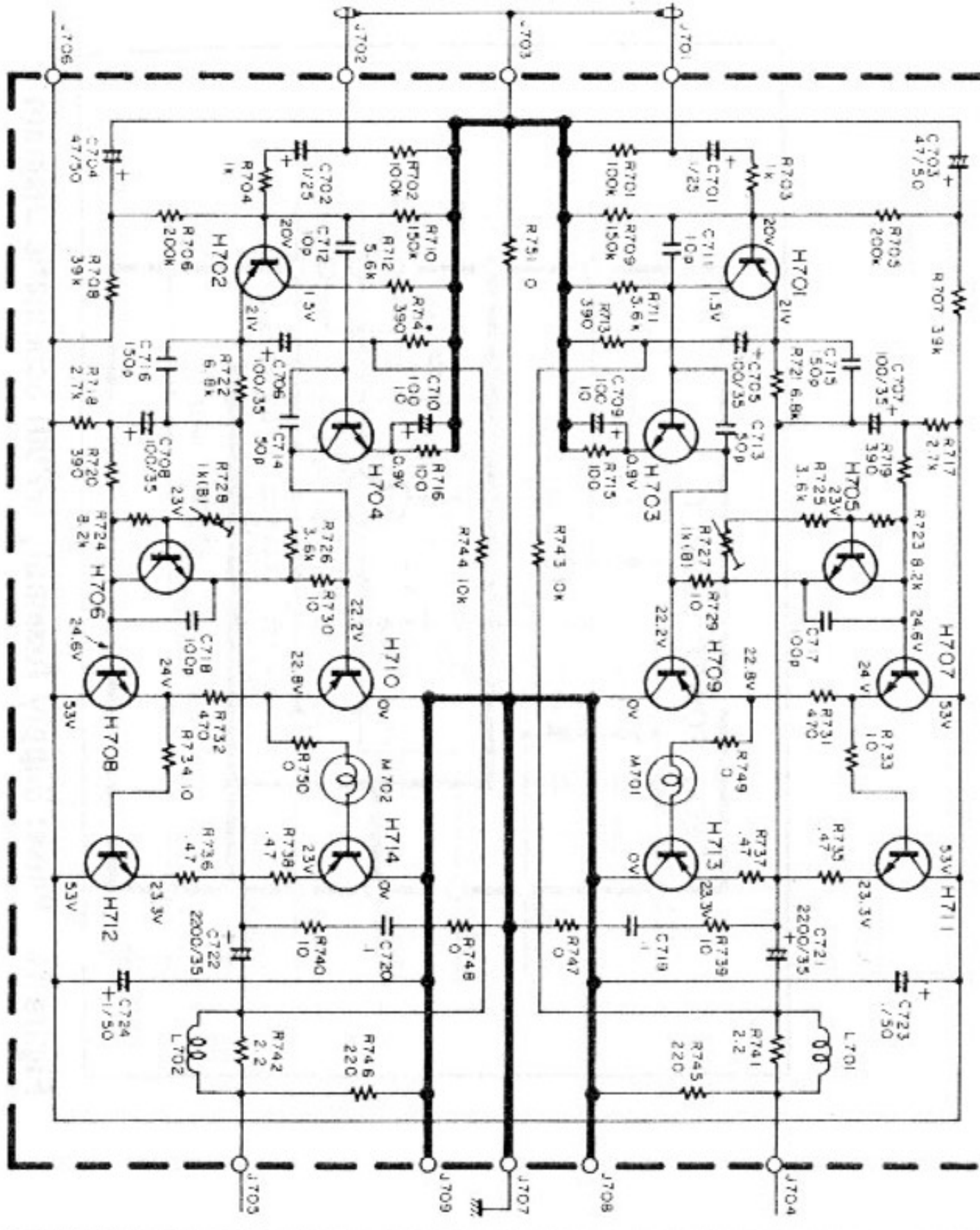


Figure 20 Muting Hi Filter Assembly (PH01) Schematic Diagram



Phono Amplifier Assembly (P400) Schematic Diagram

# P700 MAIN AMP





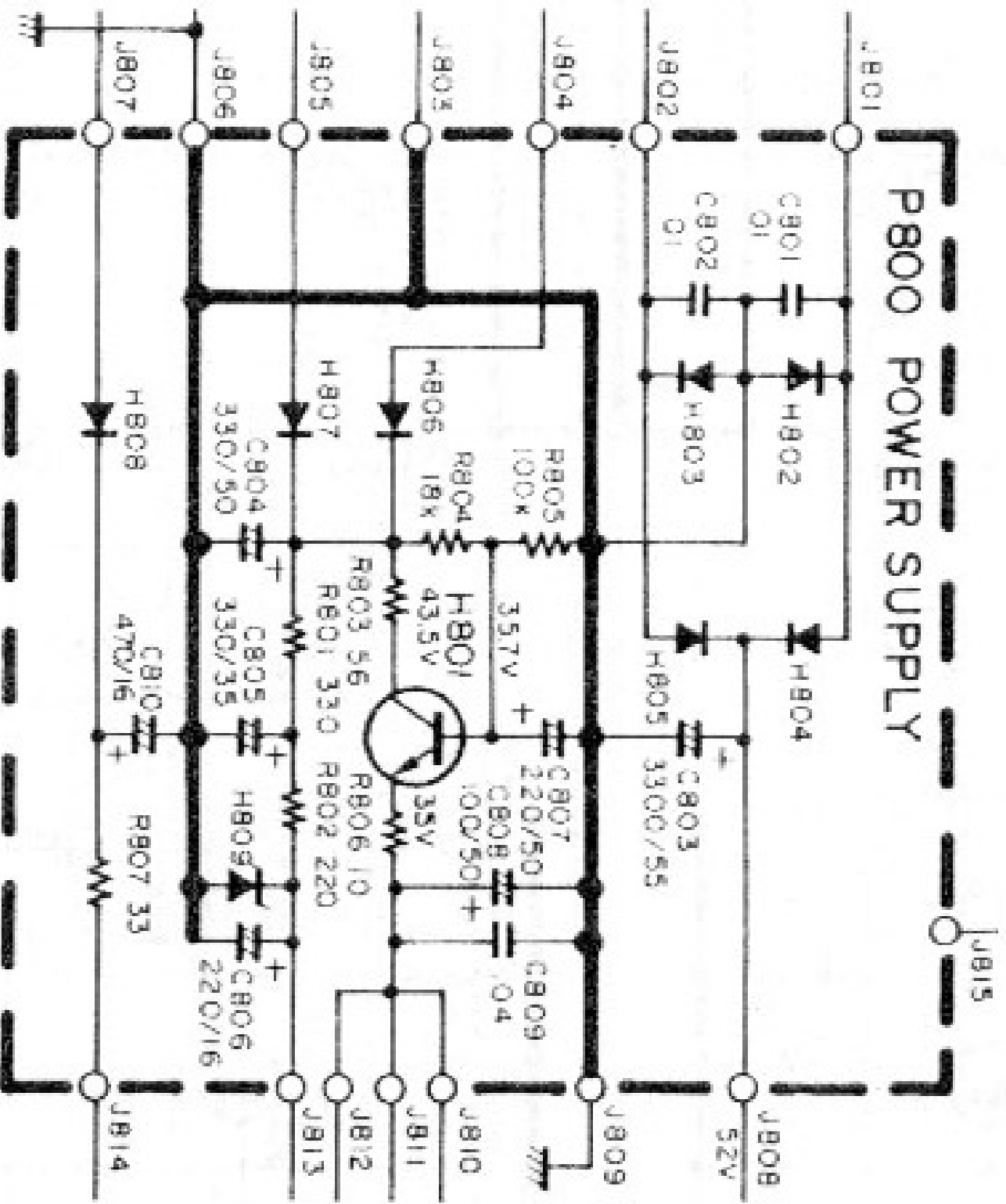


Figure 16 Power Supply Assembly (P800) Schematic Diagram

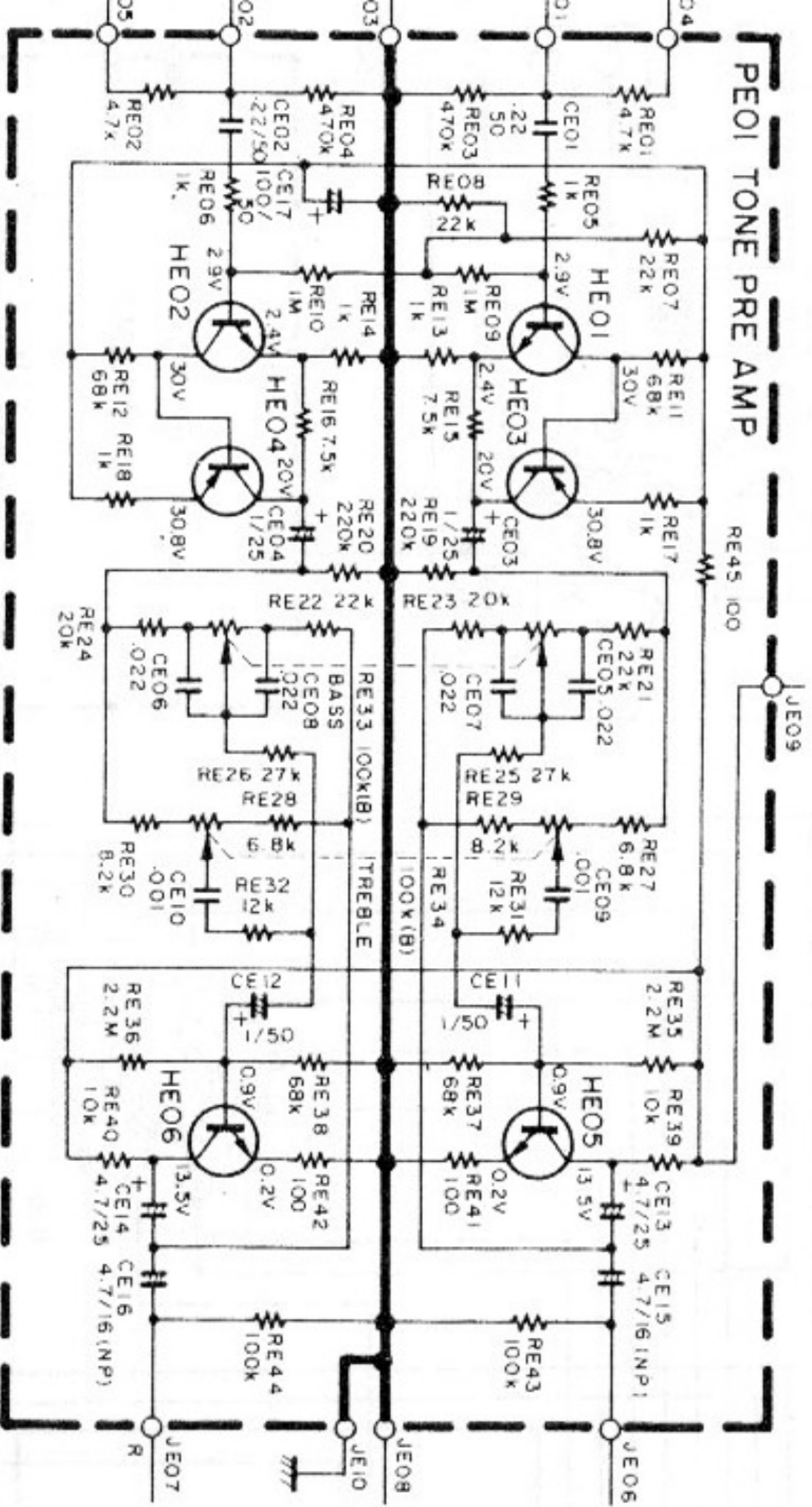


Figure 18 Tone Amplifier (PE01) Schematic Diagram