

244

SERVICE MANUAL



marantz

model 2226 B

Stereophonic Receiver

TABLE OF CONTENTS

SECTION	PAGE
1. INTRODUCTION	1
2. SERVICE NOTES	1
3. TEST EQUIPMENT REQUIRED FOR SERVICING	2
4. AM ALIGNMENT PROCEDURE	2
5. FM ALIGNMENT PROCEDURE	3
6. POWER AMPLIFIER ADJUSTMENT	3
7. POWER SUPPLY ADJUSTMENT	3
8. VOLTAGE CONVERSION FOR EUROPEAN MODEL	4
9. FTZ REGULATION FOR EUROPE	4
10. MAJOR COMPONENT LOCATIONS	5
10.1 Front Panel Adjustment and Component Locations	5
10.2 Main Chassis Component Locations (Top View)	5
10.3 Rear Panel Adjustment and Component Locations	6
10.4 Main Chassis Component Locations (Bottom View)	6
11. DIAGRAM AND COMPONENT LOCATIONS	7
11.1 FM Front End Assembly (P100) Schematic Diagram and Component Locations	7
11.2 Dial Lamp Assembly (PZ01) Schematic Diagram and Component Locations	7
11.3 Phono Amp. Assembly (P400) Schematic Diagram and Component Locations	8
11.4 Tuner Assembly (P200) Schematic Diagram and Component Locations	9
11.5 Tone Switch Assembly (PE01) Schematic Diagram and Component Locations	11
11.6 Main Amp. & Power Supply Assembly (P700) Schematic Diagram and Component Locations	13
12. BLOCK DIAGRAM	15
13. CONNECTION DIAGRAMS	17
13.1 For U.S.A. & Canadian Models	17
13.2 For European Model	19
14. SCHEMATIC DIAGRAMS	21
14.1 For U.S.A. & Canadian Models	21
14.2 For European Model	23
15. EXPLODED MECHANICAL DIAGRAMS	25
15.1 Cabinet	25
15.2 Chassis	27
15.3 Rear Panel for U.S.A. & Canadian Models	29
15.4 Rear Panel for European Model	29
16. PACKING MATERIAL EXPLODED VIEW	30
17. PARTS LIST	31
18. TECHNICAL SPECIFICATIONS	39

1. INTRODUCTION

This service manual was prepared for use by Authorized Warranty Stations and contains service information for Marantz Model 2226B Stereophonic Receiver.

Servicing information and voltage data included in this manual are intended for use by the knowledgeable and experienced technician only. All instructions should be read carefully. No attempt should be made to proceed without a good understanding of the operations in the receiver.

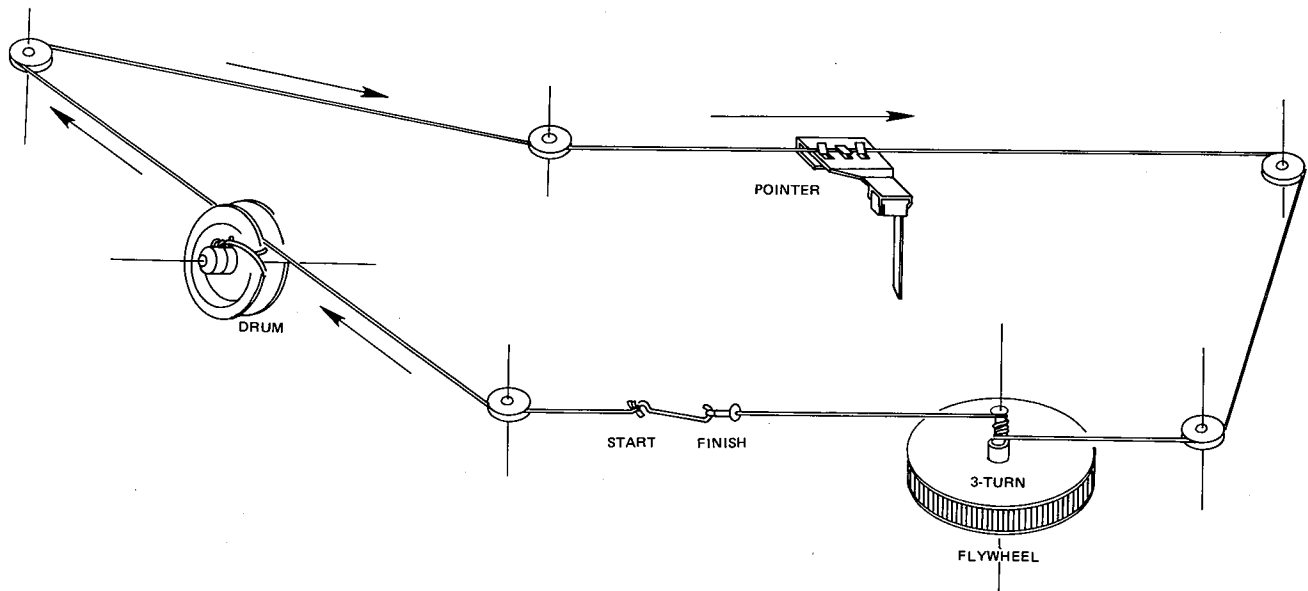
The parts list furnishes information by which replacement parts may be ordered from the Marantz Company. A simple description is included for parts which can usually be obtained through local suppliers.

2. SERVICE NOTES

As can be seen from the circuit diagram, the chassis of Model 2226B consists of the following units. Each unit mounted on a printed circuit board is described within the square enclosed by a bold dotted line on the circuit diagram.

1. FM Front End mounted on P.W.B. P 100
2. Tuner mounted on P.W.B. P200
3. Phono Equalizer Amp & Selector ... mounted on P.W.B. P400
4. Main Amp. & Power Supply mounted on P.W.B. P700
5. Pre, Tone Amp. & Switch Ass'y mounted on P.W.B. PE01
6. Dial Lamp mounted on P.W.B. PZ01

Figure 1. Dial Stringing



3. TEST EQUIPMENT REQUIRED FOR SERVICING

This table lists the test equipment required for servicing the Model 2226B Receiver.

Item	Manufacturer and Model No.	Use
AM Signal Generator		Signal source for AM alignment
Test Loop		Use with AM Signal Generator
FM Signal Generator MPX Signal Generator	Sound Technology Model 1000A	Signal source for FM alignment Stereo separation alignment and trouble shooting
Distortion Analyzer Audio Oscillator AC VTVM	Sound Technology Model 1700A	Distortion measurements Sinewave and squarewave signal source Voltage measurements (AC)
Oscilloscope	Tektronix Model T932 Philips Model 3232	Waveform analysis and trouble shooting and ASO alignment
Frequency Counter	Fluke Model 1900A	MPX Oscillator adjustment (VCO)
Circuit Tester		Trouble shooting
DC VTVM	Fluke Model 8000 "Digital" Simpson Model 313, Triplet Model 801	Voltage measurements (DC)
AC Wattmeter	Simpson Model 1379	Monitors primary power to amplifier
AC Ammeter	Commercial Grade (1~10A)	Monitors amplifier output under short circuit condition
Line Voltmeter	Simpson Model 1359	Monitors potential of primary power to amplifier
Variable Autotransformer	Superior Electronic Co., Powerstat Model 116B-10A	Adjusts level of primary power to amplifier
Shorting Plug	Use phono plug with 600-ohm across center pin and shell	Shorts amplifier input to eliminate noise pickup
Output Load (8 ohms, $\pm 0.5\%$, 100W)	Commercial Grade	Provides 8-ohm load for amplifier output termination
Output Load (4 ohms, $\pm 0.5\%$, 100W)	Commercial Grade	Provides 4-ohm load for amplifier output termination

4. AM ALIGNMENT PROCEDURE

4.1 AM IF ALIGNMENT

1. Connect a sweep generator to the L153 and an alignment scope to the J233.
2. Rotate each core of IF transformers L155 and L156 for the maximum height and flat top symmetrical response.

4.2 AM FREQUENCY RANGE AND TRACKING ALIGNMENT

1. Set AM signal generator to 515 kHz. Turn the tuning capacitor fully closed (place the tuning pointer at the low end) and adjust the oscillator coil L154 for maximum audio output.

2. Set the signal generator to 1650 kHz. Place the tuning pointer in the high frequency end and adjust the oscillator trimmer on the oscillator tuning capacitor for maximum audio output.
3. Repeat steps 1 and 2 until no further adjustment is necessary.
4. Set the generator to 600 kHz, tune the receiver to the same frequency and adjust a slug core of AM ferrite-rod antenna L001 for maximum output.
5. Set the generator to 1400 kHz and tune the receiver to the same frequency and adjust the trimming capacitor on the antenna tuning capacitor for maximum output.

6. Repeat procedures 4 and 5 until no further adjustment is necessary.

NOTE

During tracking alignment reduce the signal generator output as necessary to avoid AGC action.

5. FM ALIGNMENT PROCEDURE

5.1 FM FREQUENCY RANGE AND TRACKING ALIGNMENT

1. Connect an FM signal generator to the FM antenna terminals and an oscilloscope and an audio distortion analyzer to the TAPE OUT jacks on the rear panel.
2. Set the generator to 87.4 MHz and provide about 3 to 5 μV . Place the tuning pointer at the low frequency end by rotating the tuning knob and adjust the pitch of oscillator coil L107 to obtain maximum audio output.
3. Set the generator to 109 MHz and provide about 3 to 5 μV . Rotate the tuning knob and place the tuning pointer at the high frequency end and adjust the trimming capacitor C121 for maximum output.
4. Repeat steps 2 and 3 until no further adjustment is necessary.
5. Set the generator to 90 MHz and tune the receiver to the same frequency. Decrease signal generator output until the audio output level decreases with the decreasing generator output. Adjust the pitch of antenna coil L102 and RF coil L104 for maximum output.
6. Set the generator to 106 MHz and tune the receiver to the same frequency. Decrease the signal generator output until the audio output level decreases with the decreasing generator output. Adjust the trimming capacitors of antenna and RF tuning circuits for maximum output.
7. Repeat steps 5 and 6 until no further adjustment is necessary.
8. Adjust the primary core (low core) of discriminator transformer L202 so that the center tuning meter pointer indicates its center at no signal applied. Set the FM signal generator to 98 MHz and increase its output level 1 μV and tune the receiver to the same frequency so that the center tuning meter pointer indicates its center. Adjust the secondary core (upper core) of L202 for minimum distortion.

5.2 STEREO SEPARATION ALIGNMENT

1. Set the FM signal generator to provide 1 μV at 98 MHz. Tune the receiver to the same frequency so that the center tuning meter pointer indicates its center. Then turn off the modulation of the generator, connect a frequency counter to test point J229 and adjust R301 so that the frequency counter may precisely read 76 kHz.
2. Modulate the generator with stereo composite signal consisting of only L or R channel (of course a pilot signal must be included).
3. Adjust the trimming resistor R317 for maximum and same separation in both channels.

5.3 MUTING THRESHOLD ADJUSTMENT

1. Set the FM signal generator output to provide 12.5 μV (IHF) at 98 MHz and tune receiver to the same frequency. Adjust the trimming resistor R212 for the threshold level of 12.5 μV . (During this adjustment turn the FM MUTING pushswitch "on".)

5.4 FM DOLBY LEVEL ADJUSTMENT

1. Set the FM signal generator to provide a 400 Hz, 50% modulated 98 MHz mono signal, at 1 μV output. Precisely tune the receiver to 98 MHz.
2. Depress the FM 25 μS pushswitch, and adjust R215 until the outputs of both channels are 580 mV.

6. POWER AMPLIFIER ADJUSTMENT

Connect a VTVM between R757(+) and R759(-) and adjust the trimming resistor R739 until the VTVM reads 18.8 mV DC. And next, connect a VTVM between J735 and J732 (GROUND) and adjust the trimming resistor R737 until the VTVM reads 0 mV DC. Do over again. For the other channel, connect the VTVM between R758(+) and R760(-) and adjust the R740 for the same reading, and connect the VTVM between J736 and J732 and adjust the R738 for the same reading. Do over again. When adjusting a DC offset voltage, the switch of the SPEAKER SYSTEM 1 must be turned on.

7. POWER SUPPLY ADJUSTMENT

Connect a VTVM between J708(+) and J715(-) and adjust R783 until the VTVM reads 35.0 V under no signal condition.

● **EUROPEAN MODEL ONLY**

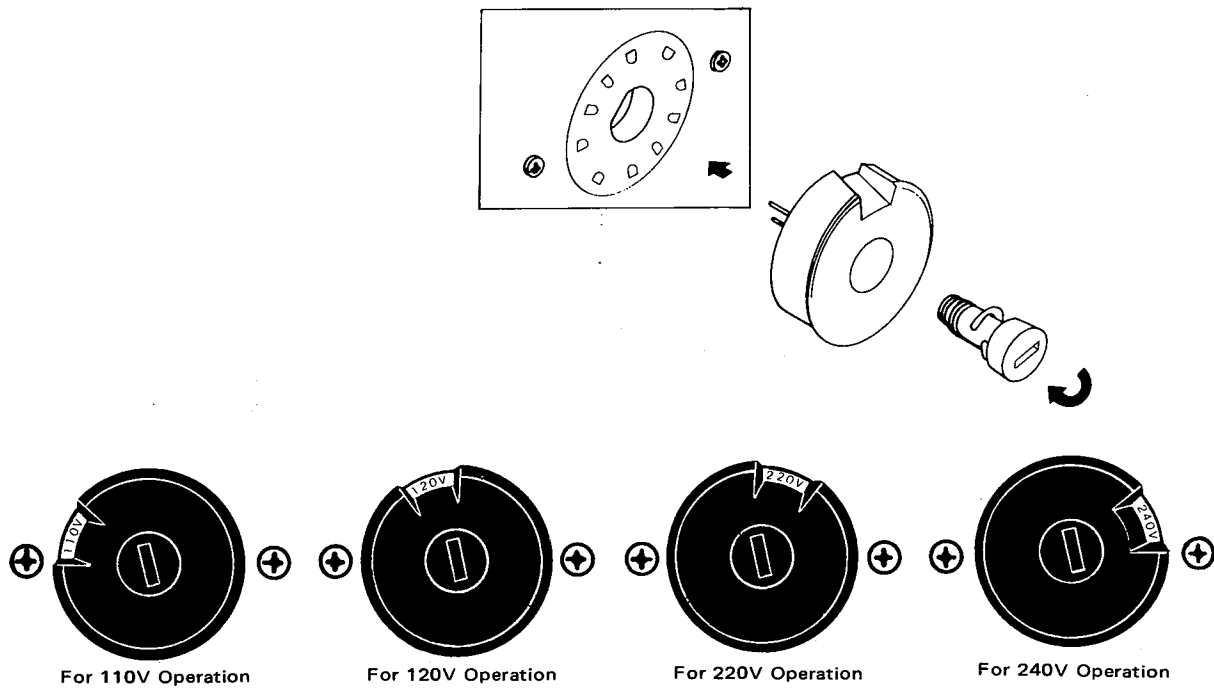
8. VOLTAGE CONVERSION

The European version of the Model 2226B is equipped with a universal power transformer that may be adjusted to operate at 110V, 120V, 220V, or 240V AC at 50 to 60 Hz. To convert the unit to a different power source voltage, reposition conversion plug as shown in Figure 2.

CAUTION

DISCONNECT POWER SUPPLY CORD FROM AC OUTLET BEFORE CONVERTING VOLTAGE.

Figure 2. Voltage Conversion Chart



9. FTZ REGULATION

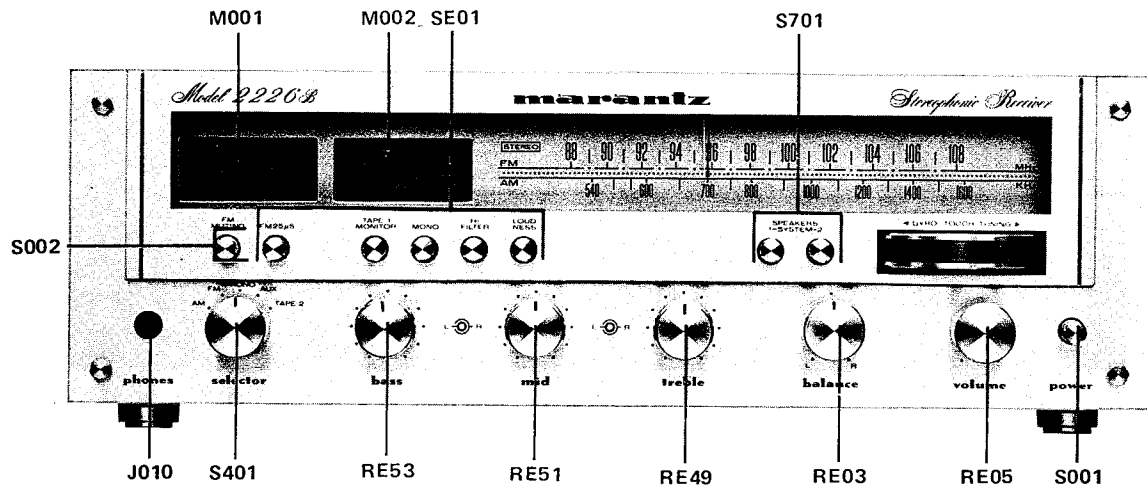
Instruction for the use
in the rage other than specified in FTZ codes

Achtung für die Leute, die in dem Gebiet wohnen,
wo die FTZ-Bestimmungen vorherrschend sind.

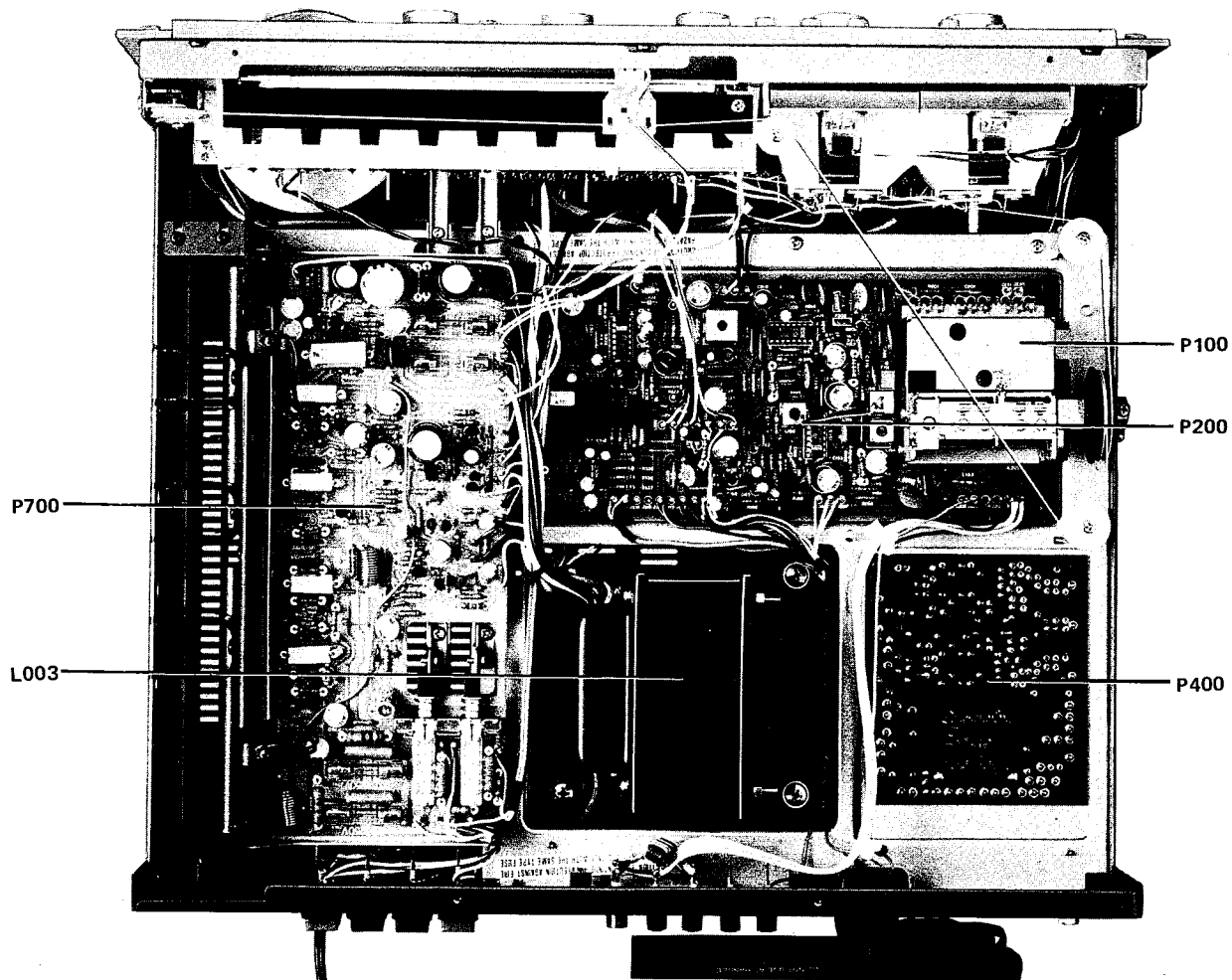
Sollte das Gerät auch für Frequenzen ausserhalb des in den FTZ-Bestimmungen angegebenen Bereiches empfangebereit sein, bitten wir, den Bereich durch Nachstellen des Kernes in der Oszillatorspeule (in der Abbildung mit „FTZ“ gekennzeichnet) so zu korrigieren, dass er den Bestimmungen entspricht.

10. MAJOR COMPONENT LOCATIONS

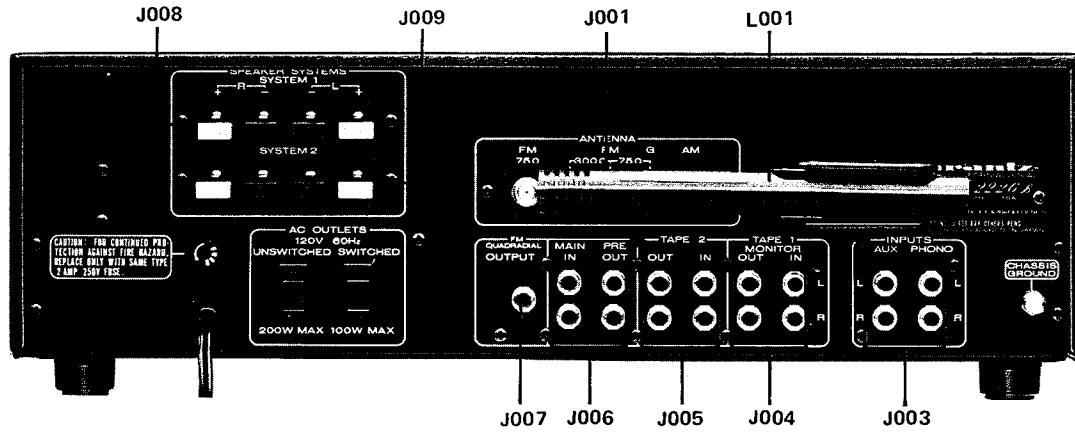
10.1 Front Panel Adjustment and Component Locations



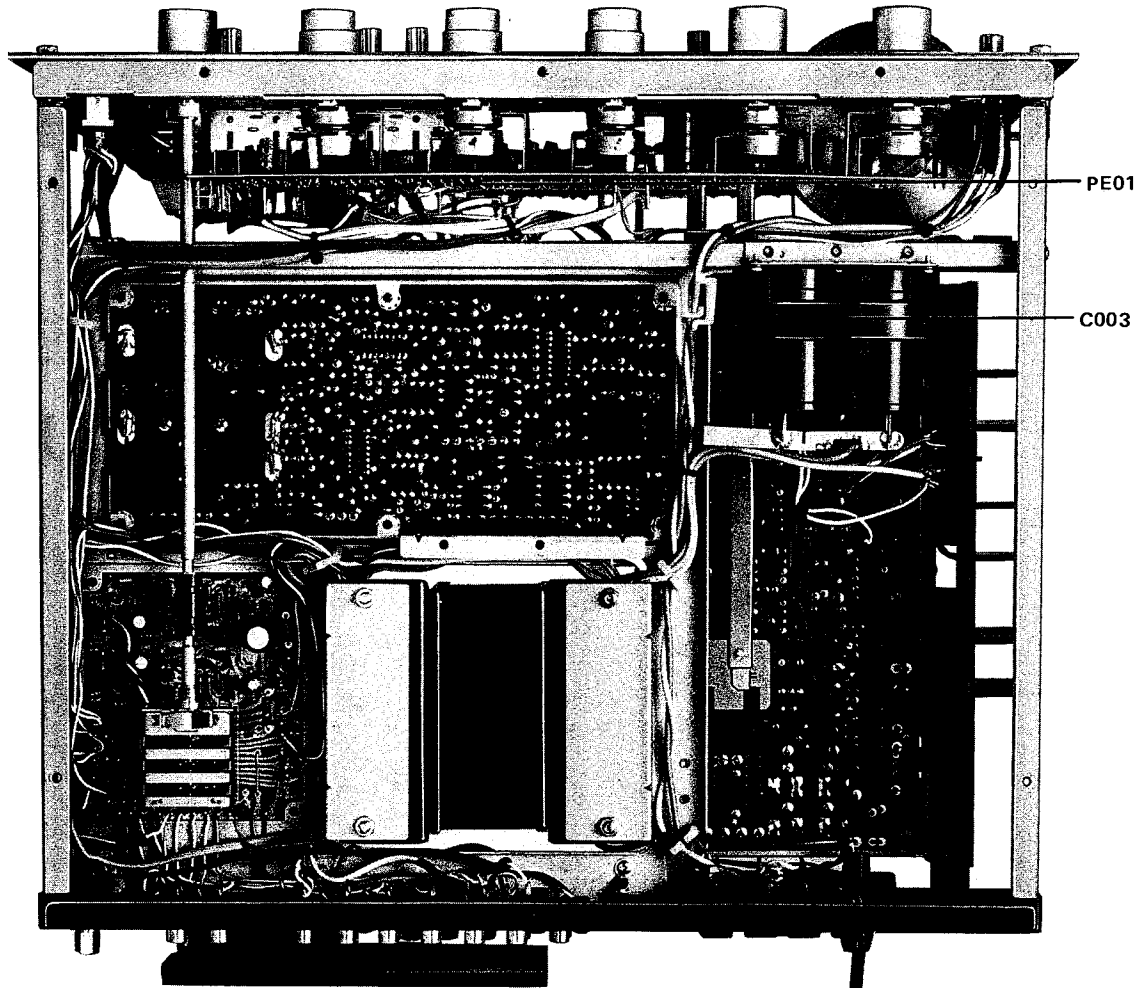
10.2 Main Chassis Component Locations (Top View)



10.3 Rear Panel Adjustment and Component Locations

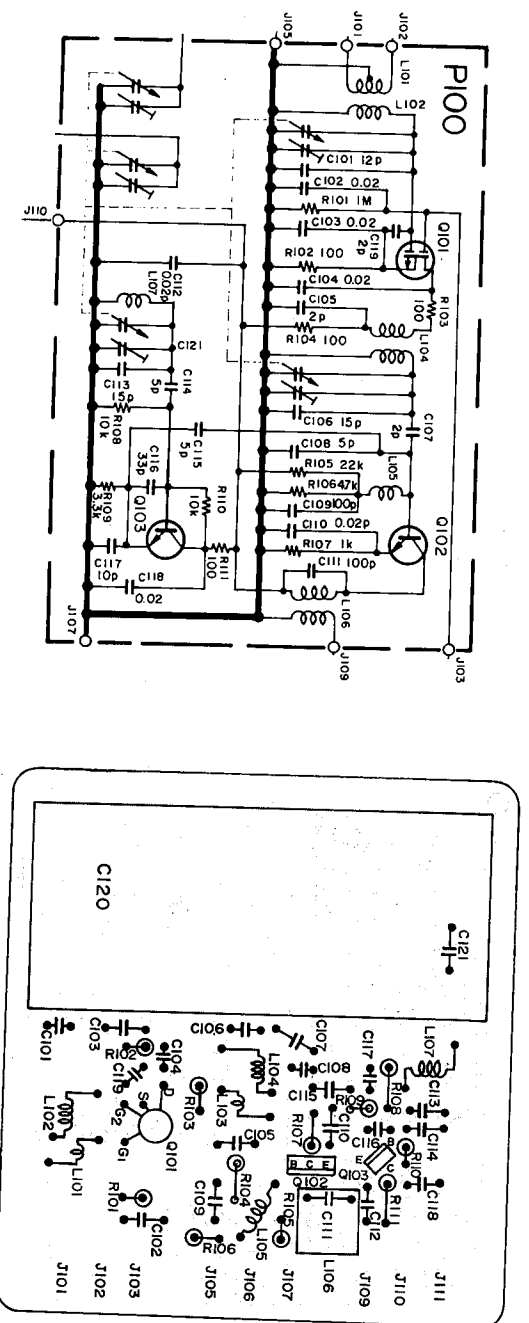


10.4 Main Chassis Component Locations (Bottom View)

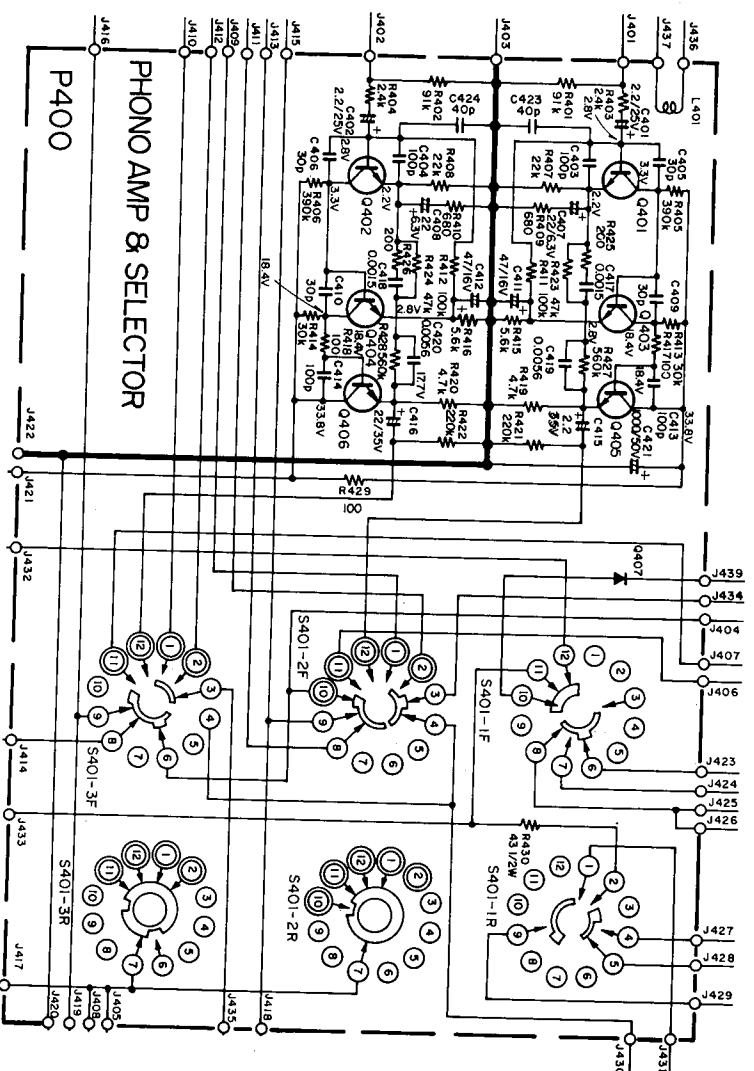


11. DIAGRAM AND COMPONENT LOCATIONS

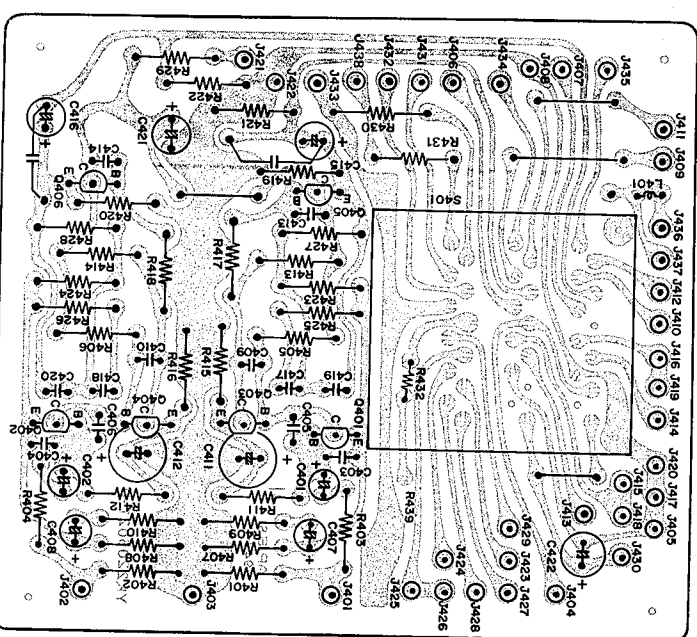
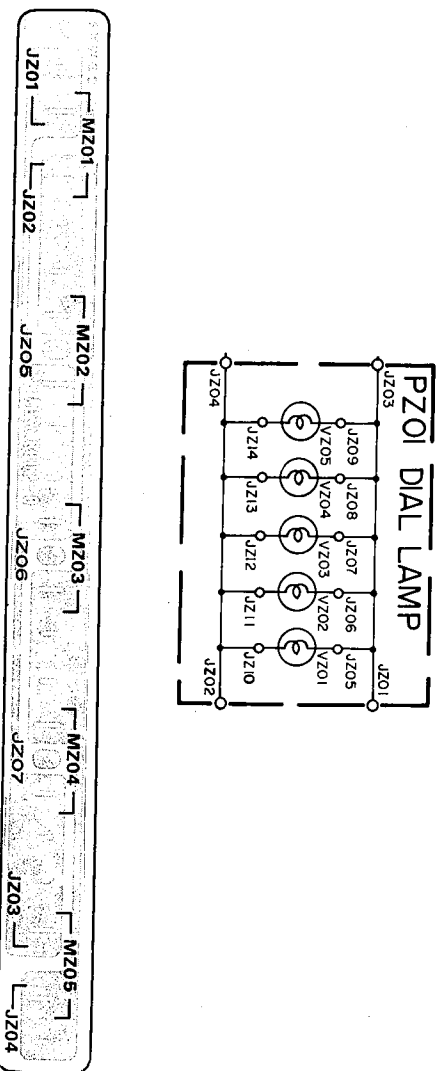
11.1 FM Front End Assembly (P100) Schematic Diagram and Component Locations



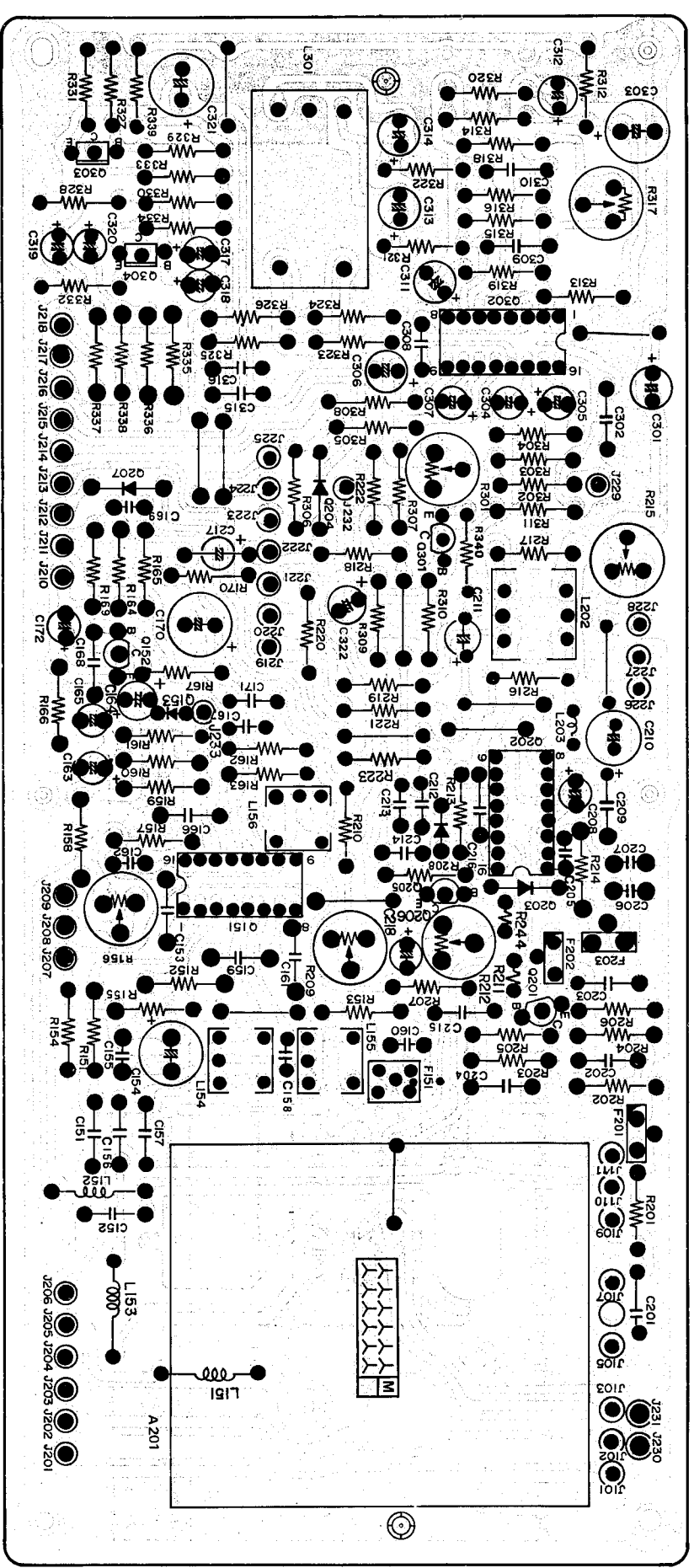
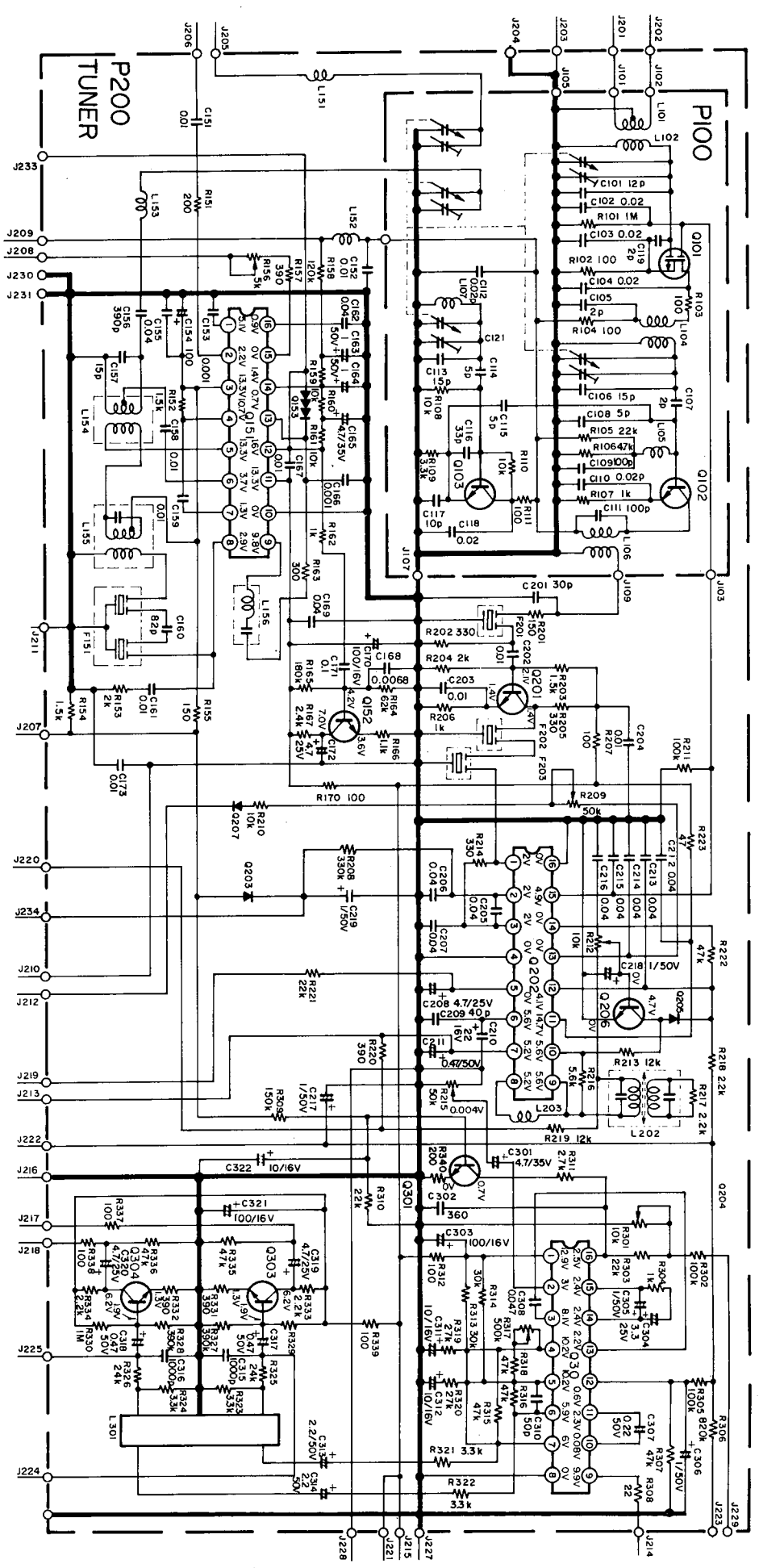
11.3 Phono Amp. Assembly (P400) Schematic Diagram and Component Locations



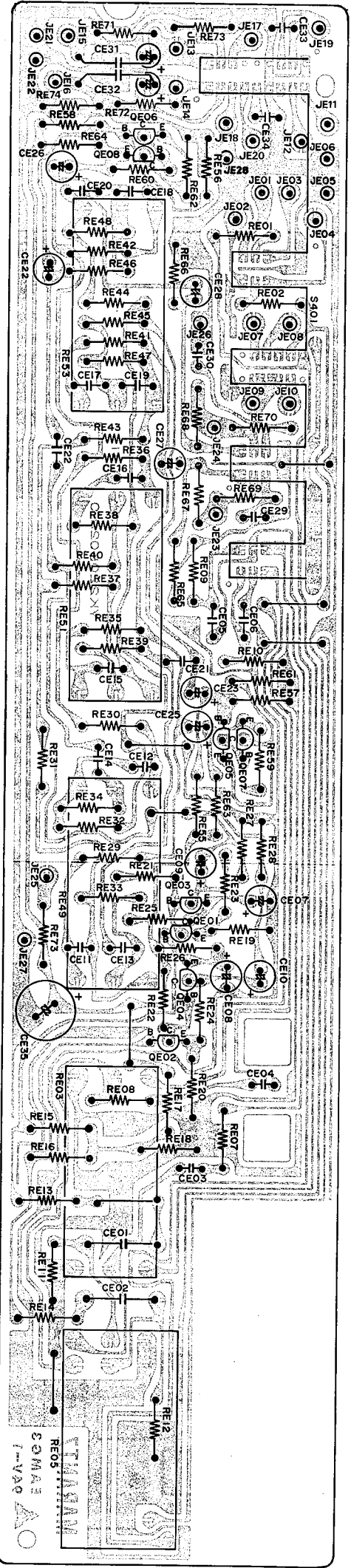
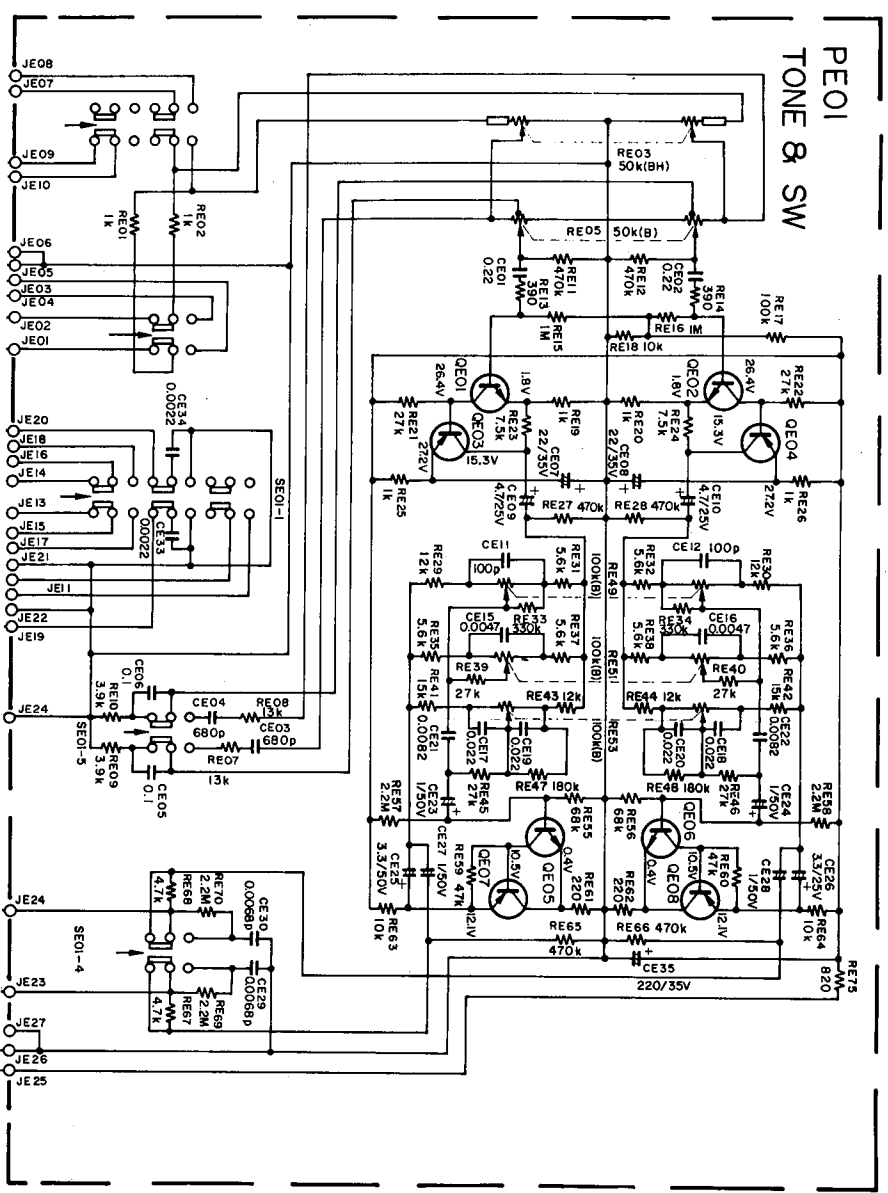
11.2 Dial Lamp Assembly (PZ01) Schematic Diagram and Component Locations



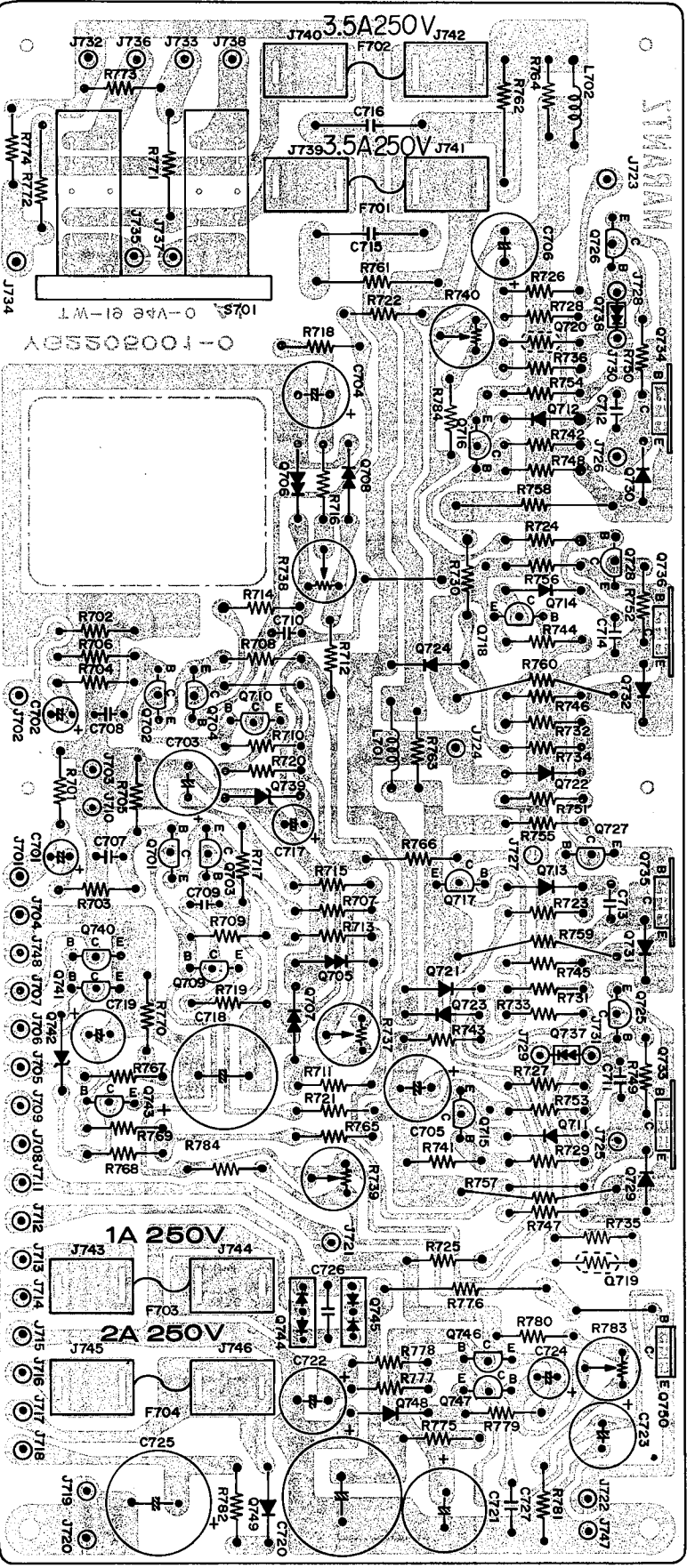
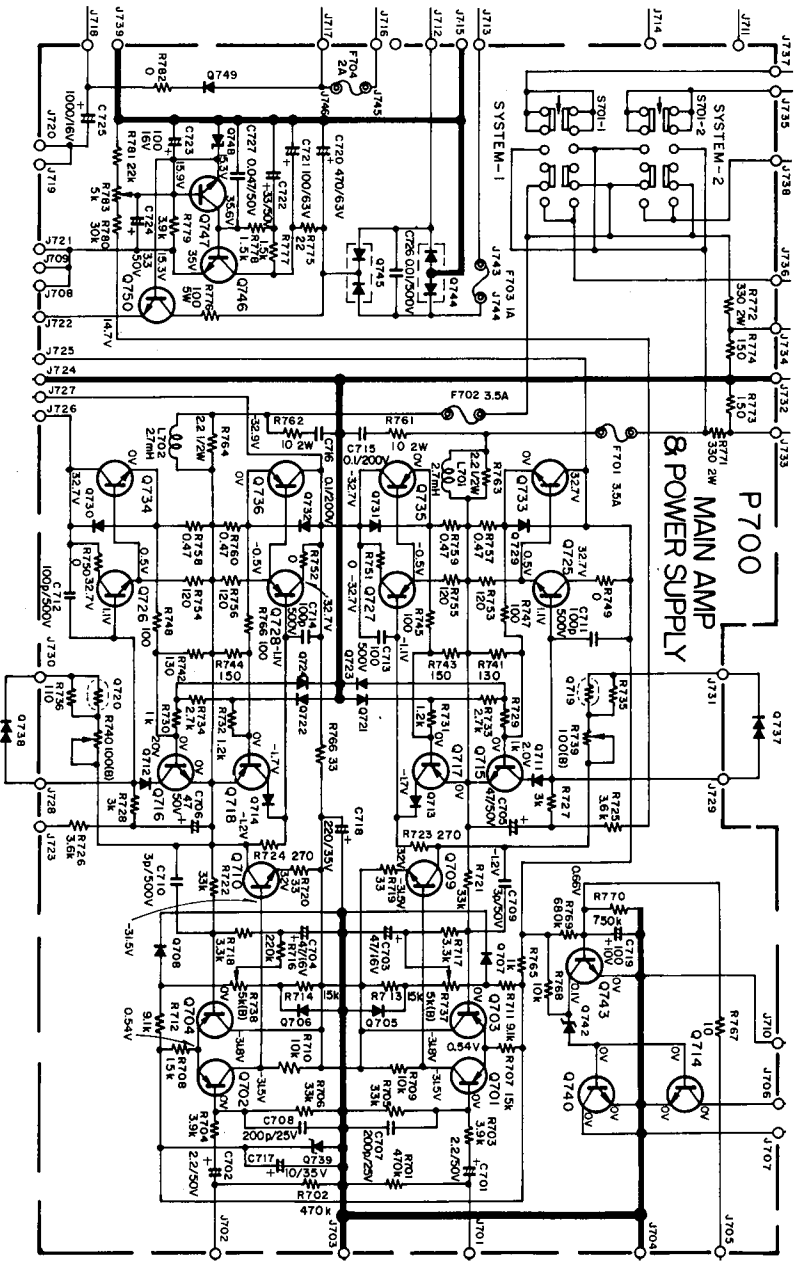
11.4 Tuner Assembly (P200) Schematic Diagram and Component Locations



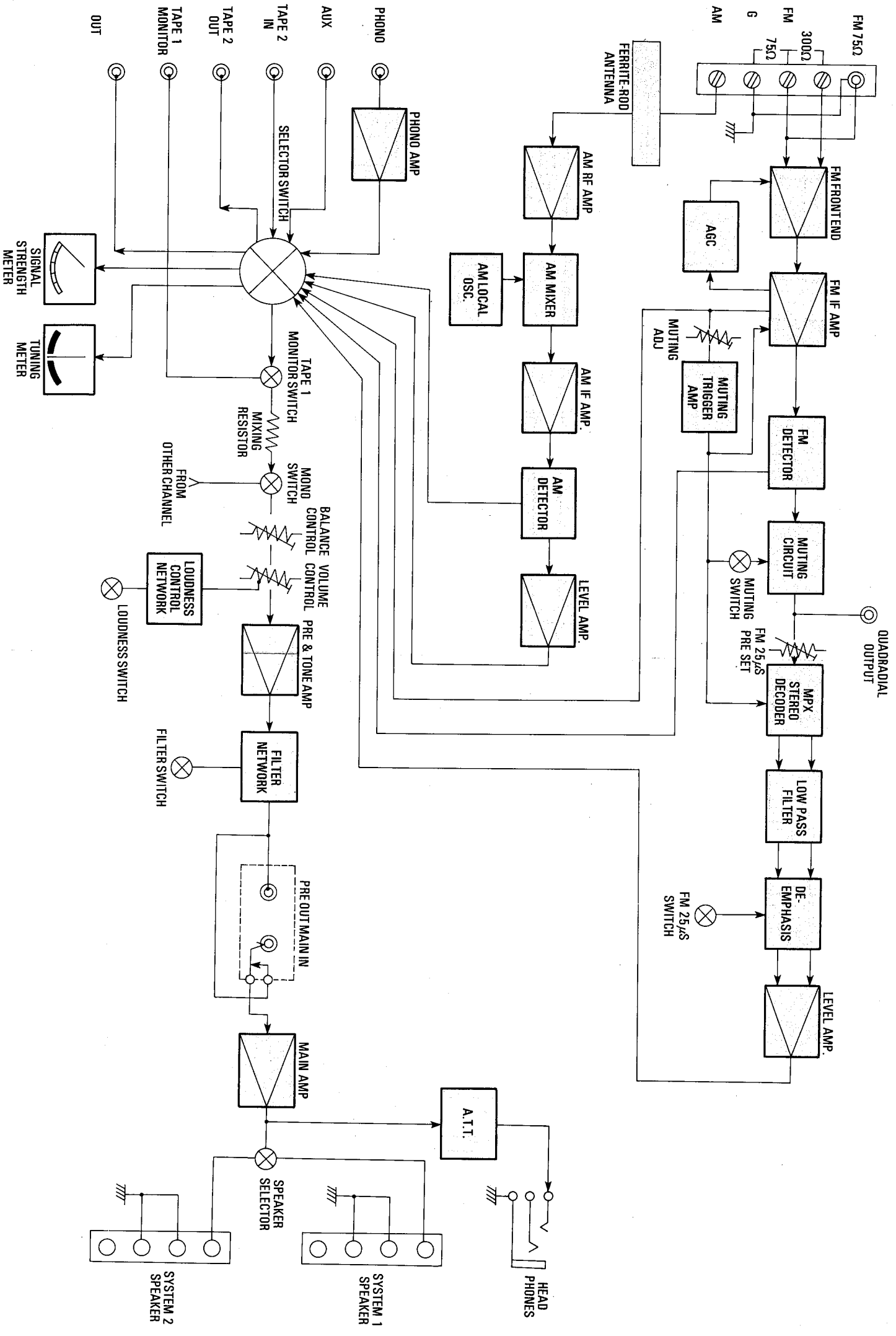
11.5 Tone Switch Assembly (PE01) Schematic Diagram and Component Locations



11.6 Main Amp. & Power Supply Assembly (P700) Schematic Diagram and Component Locations

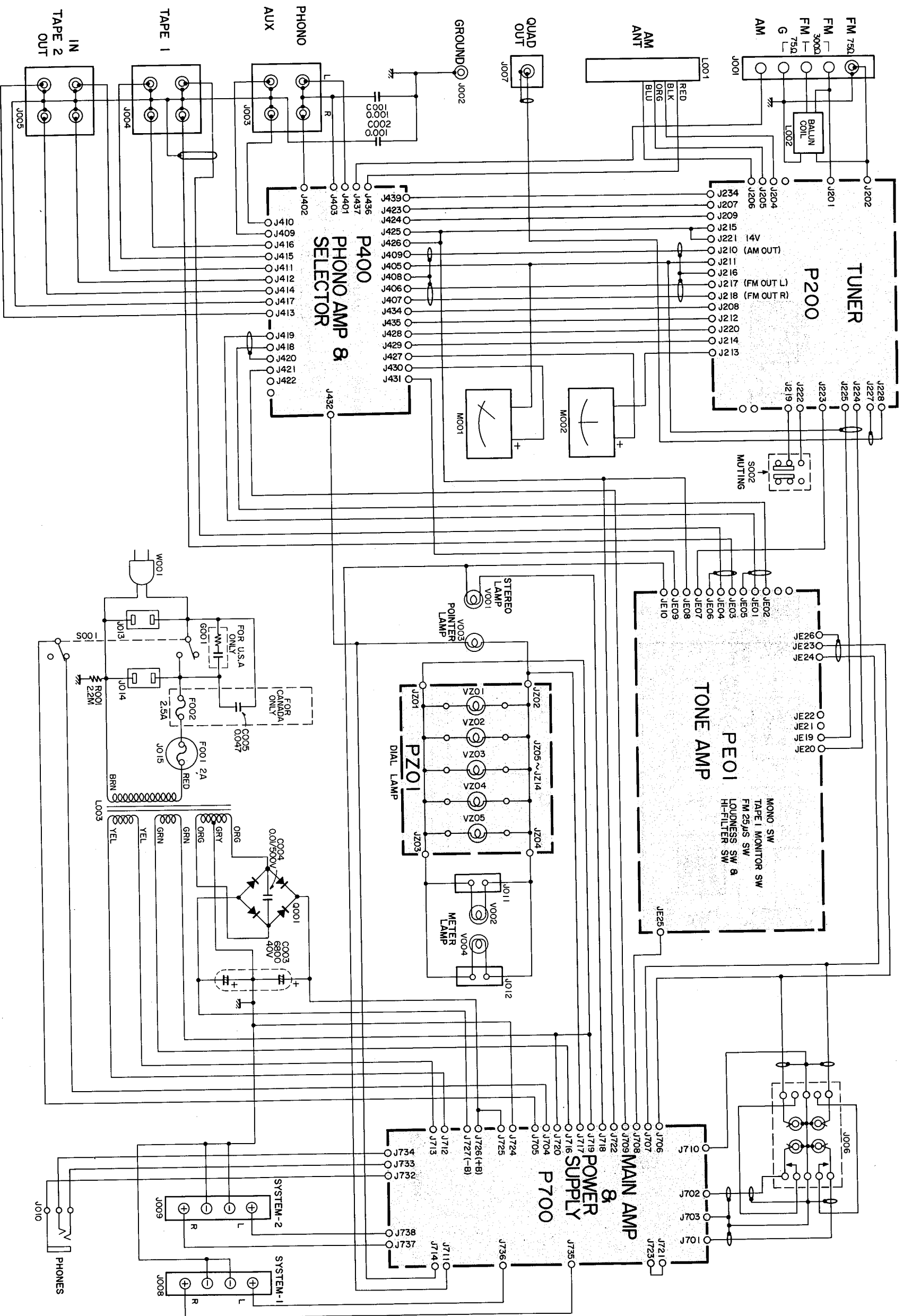


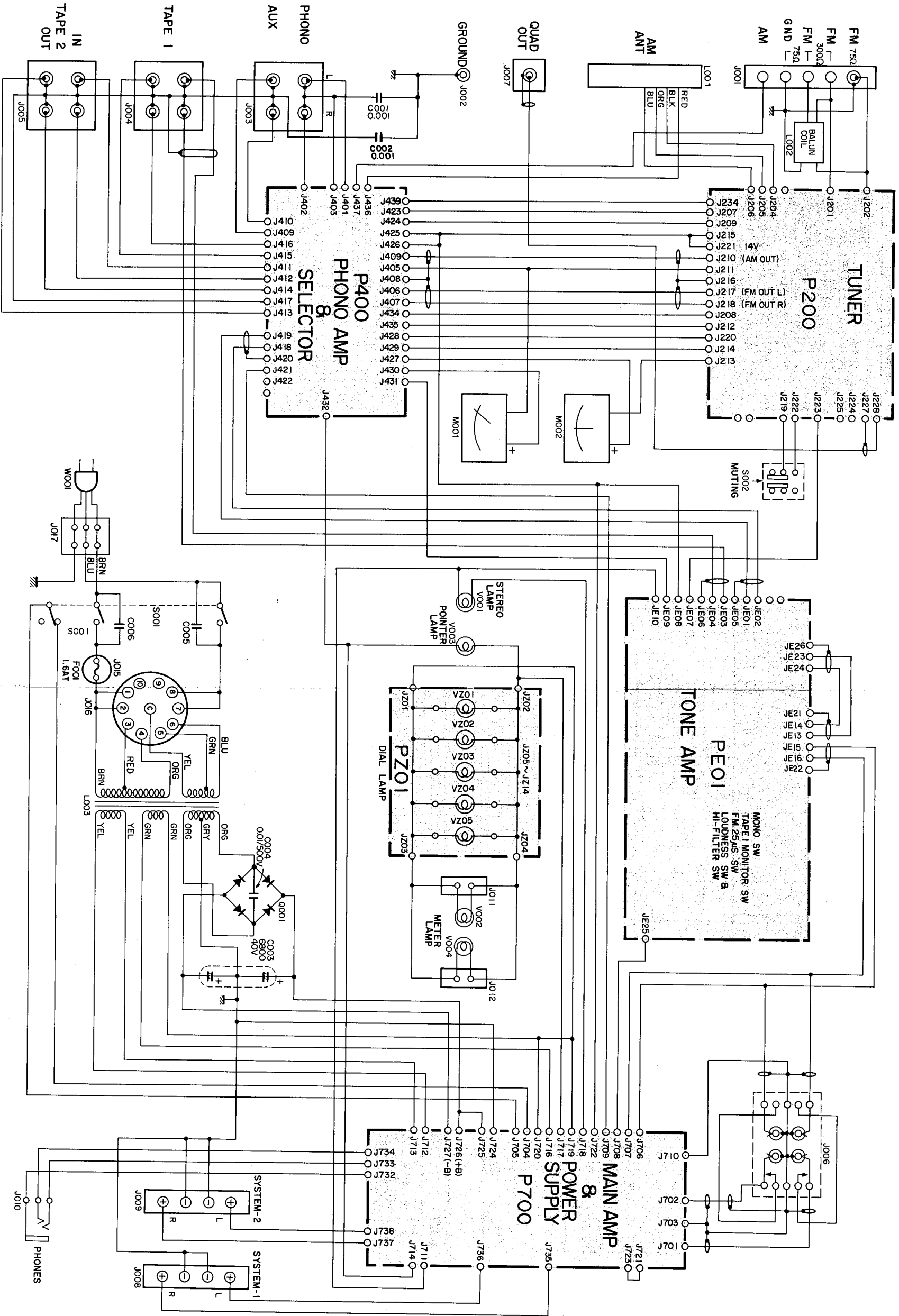
12. BLOCK DIAGRAM



13. CONNECTION DIAGRAMS

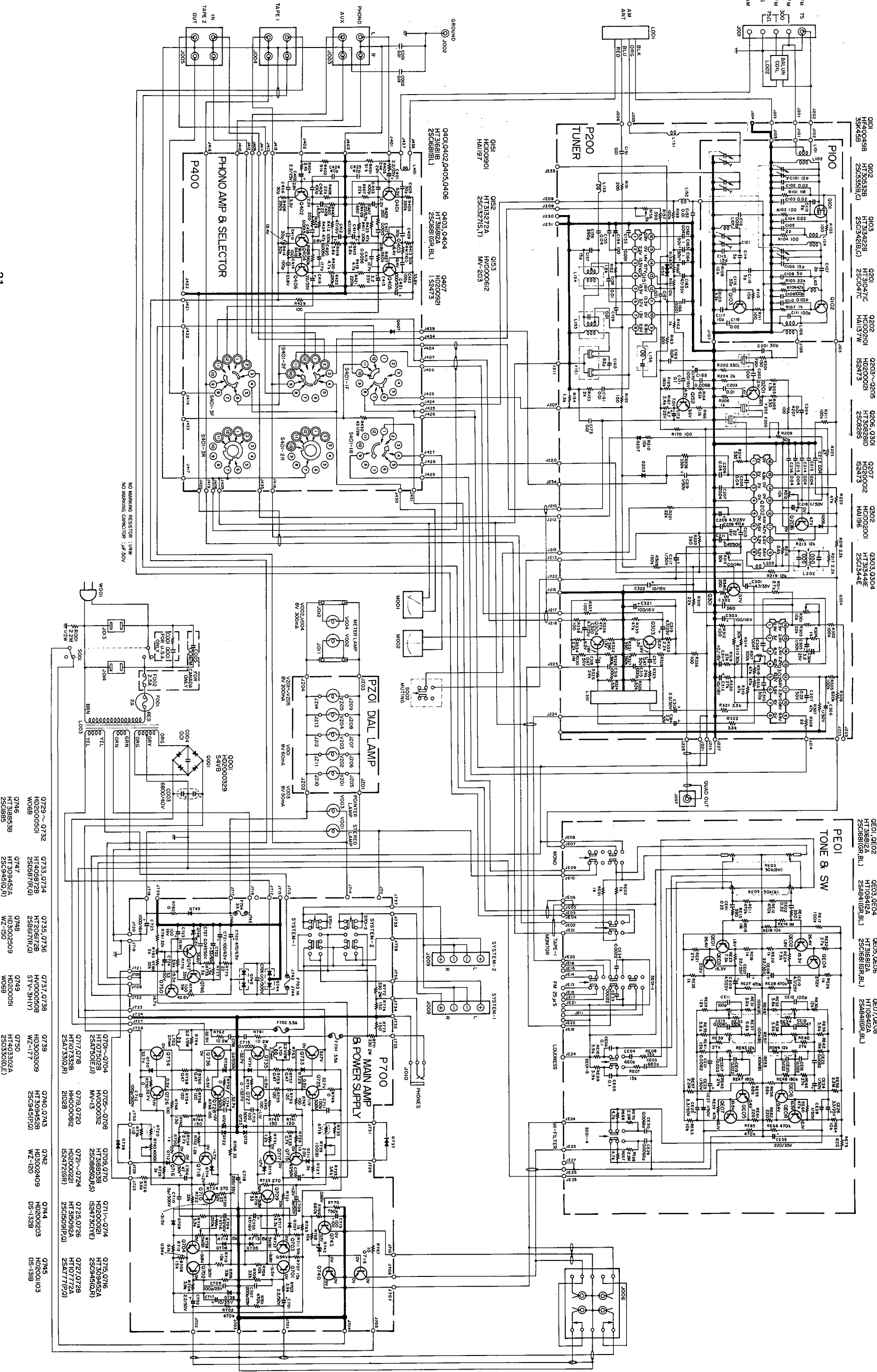
13.1 For U.S.A. & Canadian Models



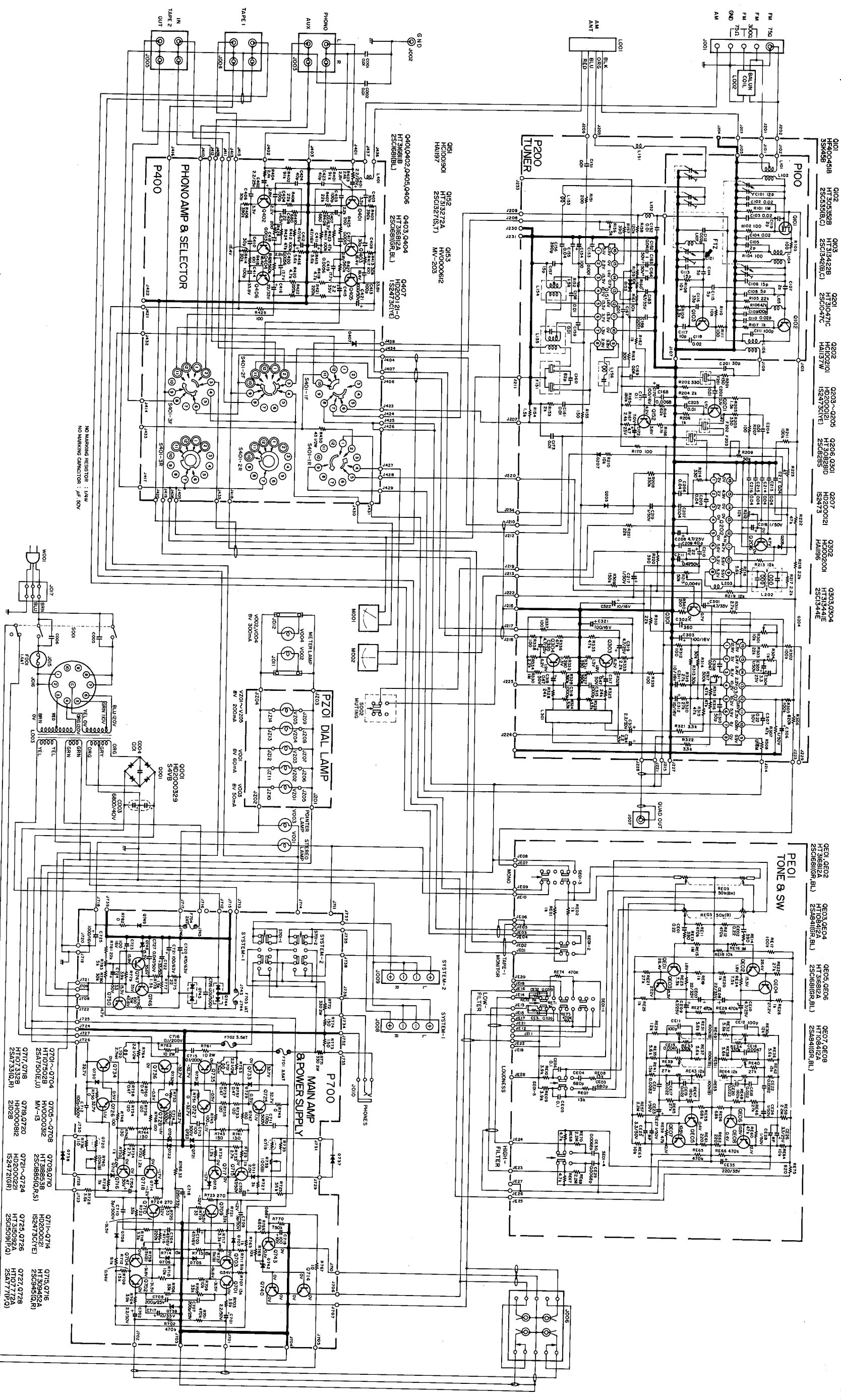


14.1 For U.S.A. & Canadian Models

Model 2226B

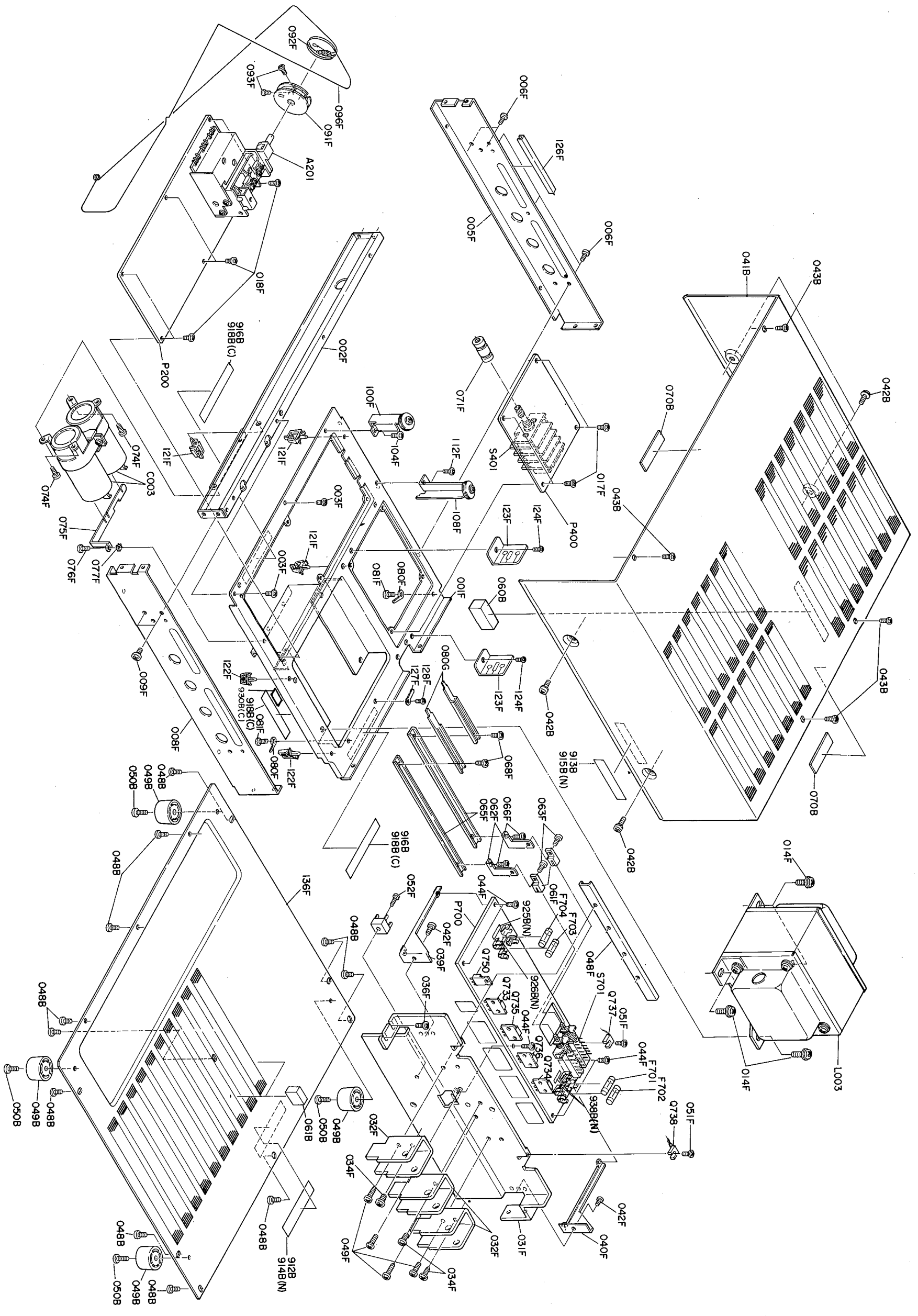


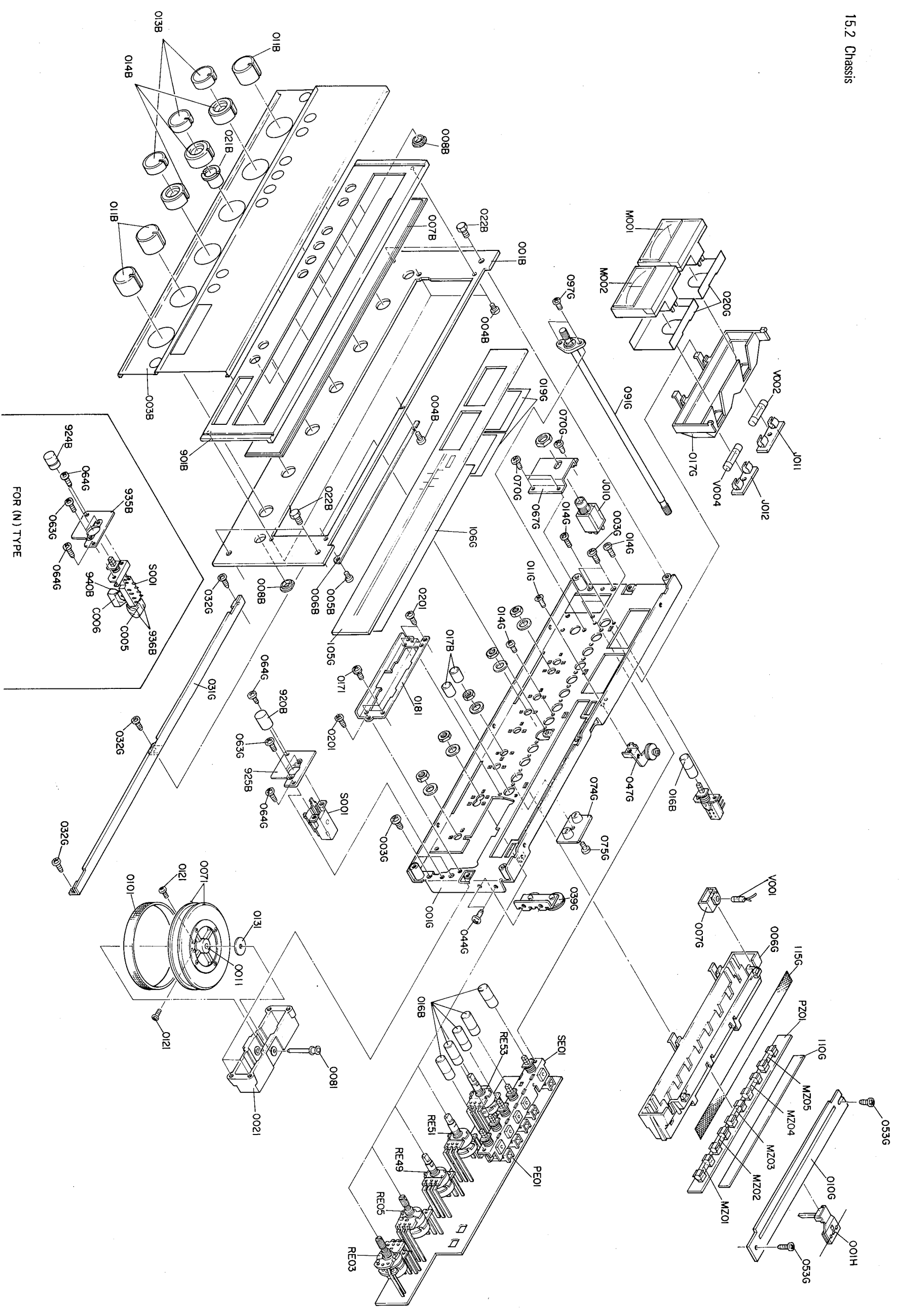
- Q101 HT30532B 25C353B(C)
- Q102 HT30532B 25C353B(C)
- Q103 HT30422B 25C1342B(C)
- Q201 HT3047C HA137W
- Q202 HC00201 HA137W
- Q203 ~ Q205
- Q206 Q301
- Q207 HC00201 25C3285
- Q302 HC00201 HA196
- Q303 Q304 HT3044E 25C1344E
- QEO1 QEO2 HT36812A 25C6812A(BL)
- QEO3 QEO4 HT10412A 25C10412A(BL)
- QEO5 QEO6 HT36812A 25C6812A(BL)
- QEO7 QEO8 HT36812A 25C6812A(BL)



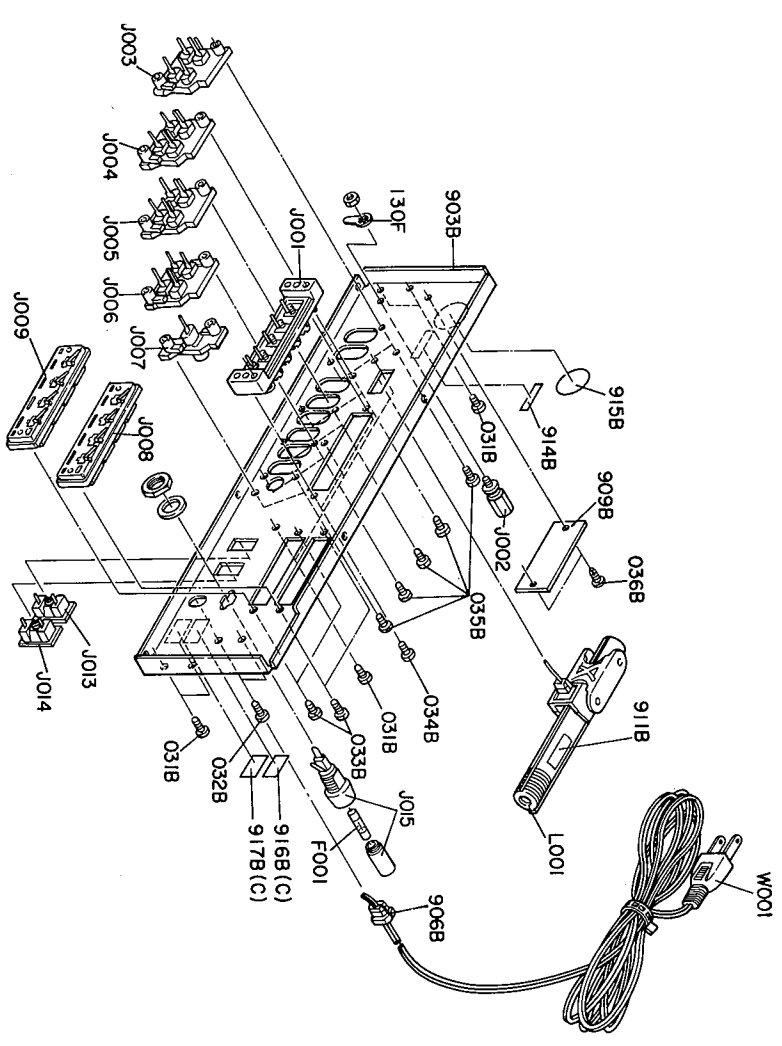
- 0901 HT305382B
- 0902 HT305382B
- 0903 HT305382B
- 0904 HT305382B
- 0905 HT305382B
- 0906 HT305382B
- 0907 HT305382B
- 0908 HT305382B
- 0909 HT305382B
- 0910 HT305382B
- 0911 HT305382B
- 0912 HT305382B
- 0913 HT305382B
- 0914 HT305382B
- 0915 HT305382B
- 0916 HT305382B
- 0917 HT305382B
- 0918 HT305382B
- 0919 HT305382B
- 0920 HT305382B
- 0921 HT305382B
- 0922 HT305382B
- 0923 HT305382B
- 0924 HT305382B
- 0925 HT305382B
- 0926 HT305382B
- 0927 HT305382B
- 0928 HT305382B
- 0929 HT305382B
- 0930 HT305382B
- 0931 HT305382B
- 0932 HT305382B
- 0933 HT305382B
- 0934 HT305382B
- 0935 HT305382B
- 0936 HT305382B
- 0937 HT305382B
- 0938 HT305382B
- 0939 HT305382B
- 0940 HT305382B
- 0941 HT305382B
- 0942 HT305382B
- 0943 HT305382B
- 0944 HT305382B
- 0945 HT305382B
- 0946 HT305382B
- 0947 HT305382B
- 0948 HT305382B
- 0949 HT305382B
- 0950 HT305382B
- 0951 HT305382B
- 0952 HT305382B
- 0953 HT305382B
- 0954 HT305382B
- 0955 HT305382B
- 0956 HT305382B
- 0957 HT305382B
- 0958 HT305382B
- 0959 HT305382B
- 0960 HT305382B
- 0961 HT305382B
- 0962 HT305382B
- 0963 HT305382B
- 0964 HT305382B
- 0965 HT305382B
- 0966 HT305382B
- 0967 HT305382B
- 0968 HT305382B
- 0969 HT305382B
- 0970 HT305382B
- 0971 HT305382B
- 0972 HT305382B
- 0973 HT305382B
- 0974 HT305382B
- 0975 HT305382B
- 0976 HT305382B
- 0977 HT305382B
- 0978 HT305382B
- 0979 HT305382B
- 0980 HT305382B
- 0981 HT305382B
- 0982 HT305382B
- 0983 HT305382B
- 0984 HT305382B
- 0985 HT305382B
- 0986 HT305382B
- 0987 HT305382B
- 0988 HT305382B
- 0989 HT305382B
- 0990 HT305382B
- 0991 HT305382B
- 0992 HT305382B
- 0993 HT305382B
- 0994 HT305382B
- 0995 HT305382B
- 0996 HT305382B
- 0997 HT305382B
- 0998 HT305382B
- 0999 HT305382B
- 1000 HT305382B

15. EXPLODED MECHANICAL DIAGRAMS
15.1 Cabinet

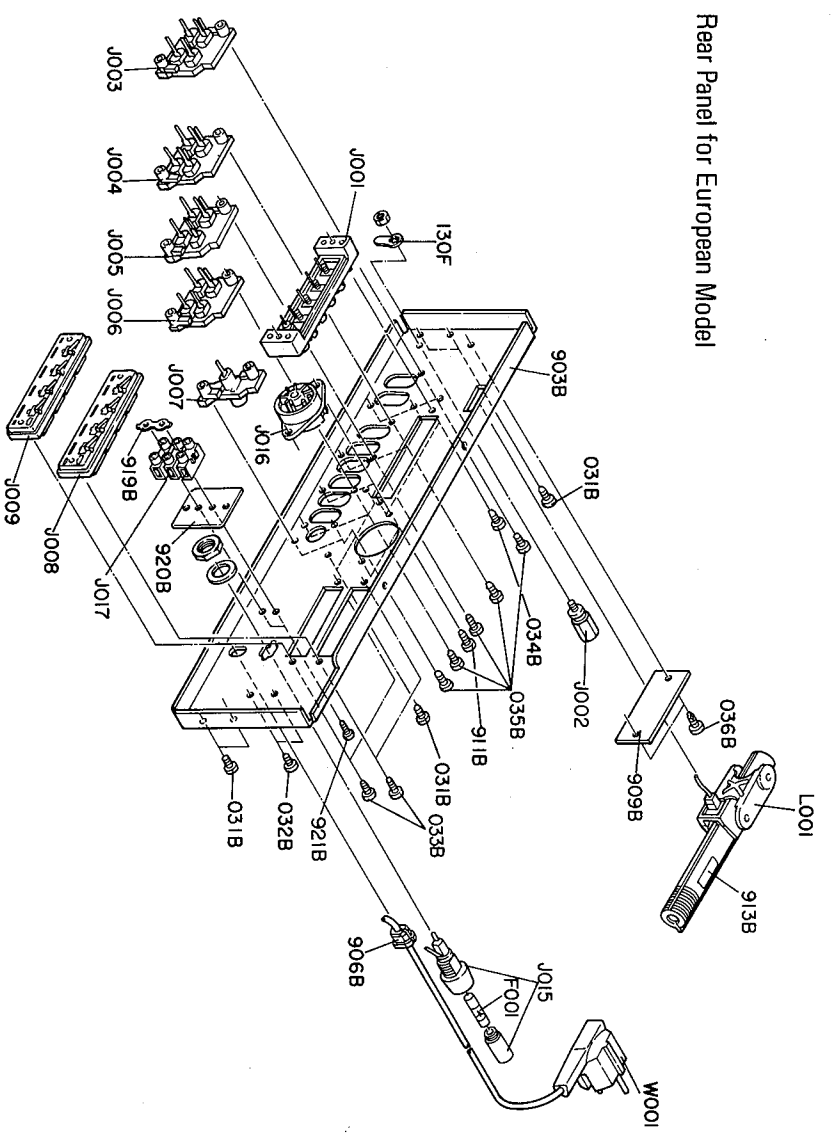




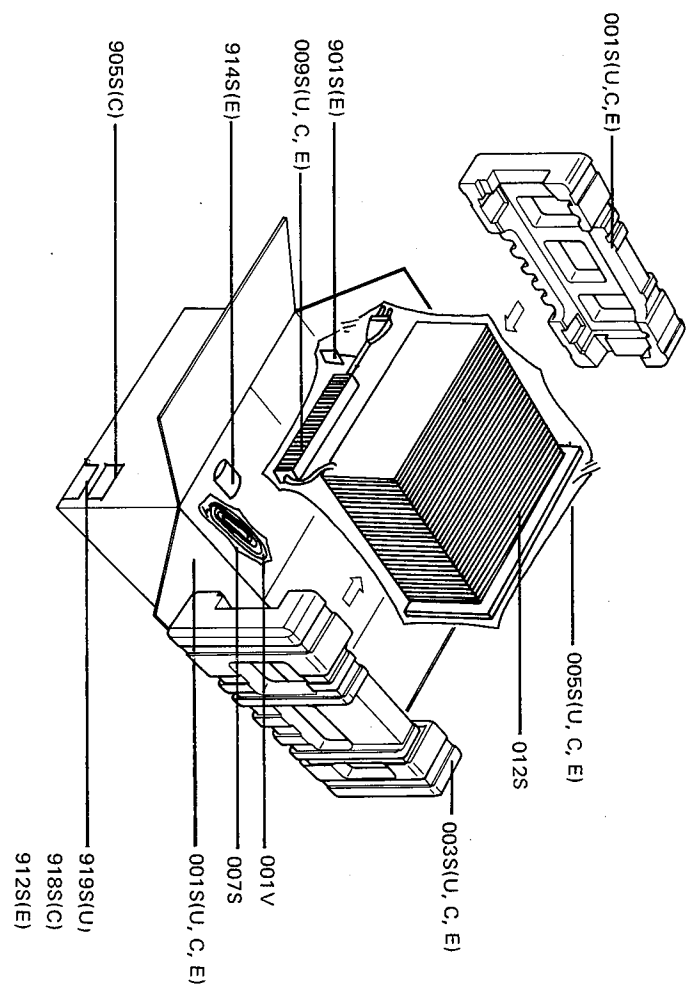
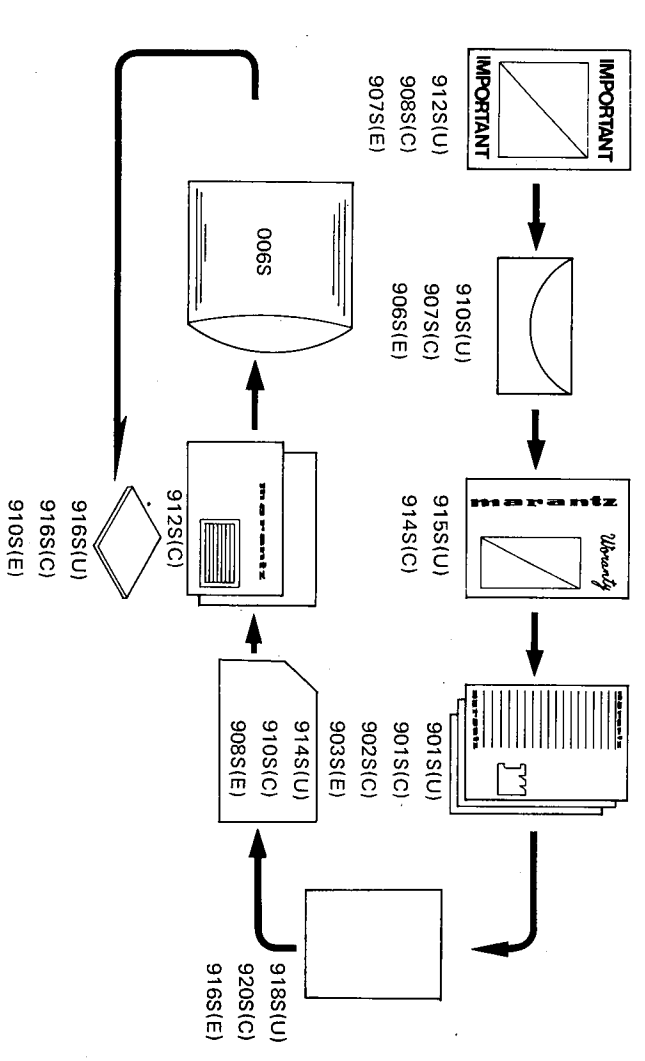
15.3 Rear Panel for U.S.A. & Canadian Models



15.4 Rear Panel for European Model



16. PACKING MATERIAL EXPLODED VIEW



- (U) for U.S.A.
- (C) for Canada
- (E) for Europe

17. PARTS LIST

- (U) for U.S.A.
- (C) for Canada
- (N) for Europe

REF. DESIG.	Q'TY			PART NO.	DESCRIPTION
	U	C	E		
A	1	1		2205063400	Front Panel Assembly
A1			1	2205063410	Front Panel Assembly
001B	1	1	1	2205063012	Escutcheon
003B	1	1	1	2205053012	Cover
004B	5	5	5	51100305A9	B.H.M. Screw, B3 x 5
005B	2	2	2	51100306S9	B.H.M. Screw B3 x 6
006B	1	1	1	2213160170	Bracket
007B	1	1	1	2211158110	Window
008B	9	9	9	2978259010	Bushing
901B	1	1		2205063022	Escutcheon
901B			1	2205063120	Escutcheon
B	1	1	1	2219273400	Flywheel Assembly
0011	1	1	1	2219273010	Flywheel
0071	2	2	2	2219063030	Escutcheon
0101	1	1	1	2219353010	Ring
0121	1	1	1	51820206B0	P.H.M. Screw, P2 x 6
C	1	1	1	2205159400	Drum Assembly
091F	1	1	1	2204159010	Drum
092F	1	1	1	2205115020	Spring
093F	2	2	2	51064019A9	P.H.M. Screw
PE08	2	2	2	2933118020	Spacer
PE11	1	1	1	75060751P0	Jumper
PE12	1	1	1	75061001P0	Jumper
PE13	6	6	6	75061251P0	Jumper
P208	12	12	12	2933118020	Spacer
P211	12	12	12	75061251P0	Jumper
P408	4	4	4	2933118020	Spacer
P411	1	1	1	75061001P0	Jumper
P412	2	2	2	75061251P0	Jumper
P413	1	1	1	75061501P0	Jumper
P707	34	34	34	3444118050	Spacer
P708	18	18	18	2933118020	Spacer
P711	4	4	4	75061251P0	Jumper
R308	1	1	1	75061251P0	Jumper
001F	1	1	1	2205105012	Chassis
001G	1	1	1	2211160043	Bracket
001H	1	1	1	2991103500	Pointer
001S	1	1	1	2205801010	Packing Case
001V	1	1	1	ZA02000070	Ext. Antenna, FM
002F	1	1	1	2205126010	Stay
002I	1	1	1	2213104500	Retainer
003F	2	2	2	51280306B0	B.H. Tapped Screw, B3 x 6
003G	4	4	4	51280406B0	B.H. Tapped Screw, B4 x 6
003S	2	2	2	2204809012	Cushion
005F	1	1	1	2205126023	Stay
005S	1	1	1	9014838380	Polyethylene Bag
006F	5	5	5	51280306B0	B.H. Tapped Screw, B3 x 6
006G	1	1	1	2211274102	Reflector
006S	1	1	1	9013025010	Polyethylene Bag

REF. DESIG.	Q'TY			PART NO.	DESCRIPTION
	U	C	E		
007G	1	1	1	2211274302	Reflector
007S	1	1	1	9013025010	Polyethylene Bag
008F	1	1	1	2205126033	Stay
008I	1	1	1	2219112010	Shaft
009F	2	2	2	51280306B0	B.H. Tapped Screw, B3 x 6
009S	1	1	1	2864804010	Sleeve
010G	1	1	1	2205051013	Guide
011B	3	3	3	2221154230	Knob
011G	2	2	2	51042608A0	F.H.M. Screw, F2.6 x 8
012S	1	1	1	2918107130	Sheet
013B	3	3	3	2205154010	Knob
013I	1	1	1	59031405G9	Washer
014B	3	3	3	2205154020	Knob
014F	4	4	4	51490514A9	L. Washer Screw, L5 x 14
014G	4	4	4	51100306A9	B.H.M. Screw, B3x 6
016B	6	6	6	2205154030	Knob
017B	2	2	2	2963154022	Knob
017F	4	4	4	51280308U0	B.H. Tapped Screw, B3 x 8
017G	1	1	1	2211274203	Reflector
017I	4	4	4	51470306A9	L. Washer Screw, L3 x 6
018F	6	6	6	51280308U0	B.H. Tapped Screw, B3 x 8
018I	1	1	1	2205160123	Bracket
019G	2	2	2	2213053022	Cover
020G	2	2	2	2991107020	Sheet
020I	3	3	3	51280306B0	B.H. Tapped Screw, B3 x 6
021B	1	1	1	2213055010	Collar
022B	4	4	4	52017069J0	H. Head Bolt
031B	6	6	6	51280308U0	B.H. Tapped Screw, B3 x 8
031F	1	1	1	2205267012	Heatsink
031G	1	1	1	2205269013	Protector
032B	2	2	2	51280308U0	B.H. Tapped Screw, B3 x 8
032F	3	3	3	2205267020	Heatsink
032G	3	3	3	51280306B0	B.H. Tapped Screw, B3 x 6
033B	4	4	4	51280308U0	B.H. Tapped Screw, B3 x 8
034B	2	2	2	51280308U0	B.H. Tapped Screw, B3 x 8
034F	3	3	3	51280310U0	B.H. Tapped Screw, B3 x 10
035B	10	10	10	51280308U0	B.H. Tapped Screw, B3 x 8
036B	2	2	2	51760306B0	OS Tapped Screw, O3 x 6
036F	2	2	2	51280308B0	B.H. Tapped Screw, B3 x 8
039F	1	1	1	2205160040	Bracket
039G	1	1	1	2205262512	Pulley
040F	1	1	1	2205160050	Bracket
041B	1	1	1	2205257010	Lid
042B	4	4	4	51480406S9	F. Washer Screw, F4 x 6
042F	2	2	2	51280308U0	B.H. Tapped Screw, B3 x 8
043B	4	4	4	51280306U0	B.H. Tapped Screw, B3 x 6
044F	5	5	5	51280308U0	B.H. Tapped Screw, B3 x 8
044G	2	2	2	51280306B0	B.H. Tapped Screw, B3 x 6
047B	1	1	1	2205257030	Lid
047G	1	1	1	2205262502	Pulley
048B	11	11	11	51280410U0	B.H. Tapped Screw, B4 x 10
048F	1	1	1	2205160062	Bracket
049B	4	4	4	2932057010	Leg
049F	4	4	4	51280316U0	B.H. Tapped Screw, B3 x 16
050B	4	4	4	51570410S0	P. Tapped Screw, P4 x 10
051F	2	2	2	51280310U0	B.H. Tapped Screw, B3 x 10
052F	1	1	1	51280316U0	B.H. Tapped Screw, B3 x 16

- (U) for U.S.A.
- (C) for Canada
- (N) for Europe

REF. DESIG.	Q'TY			PART NO.	DESCRIPTION
	U	C	E		
053G	1	1	1	51280306B0	B.H. Tapped Screw, B3 x 6
061F	2	2	2	2891271013	Holder
062F	2	2	2	2205002012	Arm
063F	2	2	2	51280306B0	B.H. Tapped Screw, B3 x 6
063G	2	2	2	51100306A9	B.H.M. Screw, B3 x 6
064G	2	2	2	51280306B0	B.H. Tapped Screw, B3 x 6
065F	2	2	2	2207160010	Bracket
066F	2	2	2	51300306B0	P.H. Tapped Screw, P3 x 6
067G	1	1	1	2205160010	Bracket
068F	2	2	2	51300306B0	P.H. Tapped Screw, P3 x 6
070G	3	3	3	51280306B0	B.H. Tapped Screw, B3 x 6
071F	1	1	1	2963125010	Joint
074F	4	4	4	51280306B0	B.H. Tapped Screw, B3 x 6
074G	1	1	1	2213106012	Sustainer
075F	1	1	1	2205160110	Bracket
075G	1	1	1	51280306B0	B.H. Tapped Screw, B3 x 6
076F	1	1	1	51280306B0	B.H. Tapped Screw, B3 x 6
077F	1	1	1	54050300R0	T.L. Washer OR
080F	2	2	2	62030049W0	Lug
080G	2	2	2	2205160032	Bracket
081F	2	2	2	51280306B0	B.H. Tapped Screw, B3 x 6
091G	1	1	1	2205112500	Shaft
096F	2	2	2	72071605A0	String
097G	2	2	2	51280308B0	B.H. Tapped Screw, B3 x 8
100F	1	1	1	2205262520	Pulley
104F	1	1	1	51280306B0	B.H. Tapped Screw, B3 x 6
105G	1	1	1	2205302010	Dial
106G	1	1	1	2213107010	Sheet
108F	1	1	1	2205262530	Pulley
112F	1	1	1	51280306B0	B.H. Tapped Screw, B3 x 6
121F	5	5	5	2886005020	Clamper
122F	2	2	2	2886005050	Clamper
123F	1	1	1	2205120010	Insulator
124F	2	2	2	51280306B0	B.H. Tapped Screw, B3 x 6
127F	1	1	1	62030049W0	Lug
128F	1	1	1	51280306B0	B.H. Tapped Screw, B3 x 6
130F	1	1	1	62040029W0	Lug
132F	1	1	1	62030049W0	Lug
135F	1	1	1	2991109010	Shield
136F	1	1	1	2991053110	Cover
901S	1			2205851010	Instructions
901S	1	1		2205851310	Instructions
901S			1	9560000040	Hang Tag
902S		1		2886851100	Instructions
903B	1	1		2205160213	Bracket
903B			1	2205160232	Bracket
903S			1	2205851310	Instructions
905S		2		9510901020	Label
906B	1	1		1455259030	Bushing
906B			1	1455259040	Bushing
906S			1	2818813010	Envelope
907S			1	2818851120	Instructions
907S		1		2918813012	Envelope
908S			1	2818851120	Instructions
908S			1	9630000180	Guarantee Card
909B	1			2205265010	Indicator
909B			1	2205265020	Indicator

REF. DESIG.	Q'TY			PART NO.	DESCRIPTION
	U	C	E		
909B			1	2205265030	Indicator
910S	1			2577813010	Envelope
910S			1	2818851140	Instructions
910S		1		9630000180	Guarantee Card
911B	1			2506265060	Indicator
911B			1	2911861170	Label
911B			2	51100308S9	B.H.M. Screw, B3 x 8
912B	1			2578861010	Label
912B			1	2911861112	Label
912S	1			2577851020	Instructions
912S			3	9523015110	Serial No. Card
912S		1		9650000050	S. Station Card
913B			1	2506265060	Indicator
913B			1	2911861142	Label
913B		1		2932861010	Label
914B			1	2578861010	Label
914B			1	9510911010	Label
914B	1			9510911020	Label
914S	1			2577854012	Guarantee Card
914S			1	2731821010	Silicagel
914S		1		2818854042	Guarantee Card
915B			1	2932861010	Label
915B	1			9511101020	Label
915S	1			2818854023	Guarantee Card
916B	2		2	2205861010	Label
916B			1	2911861192	Label
916S	1			2818851040	Instructions
916S			1	2818851140	Instructions
917B			1	2911861260	Label
918B			3	2205861110	Label
918S			3	9523015120	Serial No. Card
918S	1			2205851020	Flysheet
920S			1	2205851050	Flysheet
916S			1	2205851030	Flysheet
919B			1	2970005010	Clamper
919S	3			9522815010	Serial No. Card
920B	1		1	2963154022	Knob
920B			1	4113120010	Insulator
921B			2	51100314S9	B.H.M. Screw, B3 x 14
924B			1	2218154020	Knob
925B	1		1	2205160020	Bracket
925B			1	9512601060	Label
926B			1	9512601030	Label
930B			1	9510601130	Label
935B			1	2205160150	Bracket
936B			4	2970120030	Insulator
938B			2	9512601090	Label
CE01	1	1	1	DF17224050	Film Cap., 0.22μF ±20% 50V
CE02	1	1	1	DF17224050	Film Cap., 0.22μF ±20% 50V
CE03	1	1	1	DK16681010	Ceramic Cap., 680pF ±10% 50V
CE04	1	1	1	DK16681010	Ceramic Cap., 680pF ±10% 50V
CE05	1	1	1	DF16104010	Film Cap., 0.1μF ±10% 50V
CE06	1	1	1	DF16104010	Film Cap., 0.1μF ±10% 50V
CE07	1	1	1	EA10603590	Electrolytic Cap., 10μF ±10% 35V
CE08	1	1	1	EA10603590	Electrolytic Cap., 10μF ±10% 35V
CE09	1	1	1	EE47502540	Electrolytic Cap., 4.7μF ±20% 25V
CE10	1	1	1	EE47502540	Electrolytic Cap., 4.7μF ±20% 25V
CE11	1	1	1	DD16101010	Ceramic Cap., 100pF ±10% 50V
CE12	1	1	1	DD16101010	Ceramic Cap., 100pF ±10% 50V
CE13	1	1	1	DF16222050	Film Cap., 0.0022μF ±10% 50V

- (U) for U.S.A.
- (C) for Canada
- (N) for Europe

REF. DESIG.	Q'TY			PART NO.	DESCRIPTION
	U	C	E		
CE14	1	1	1	DF16222050	Film Cap., 0.0022 μ F \pm 10% 50V
CE15	1	1	1	DF16472050	Film Cap., 0.0047 μ F \pm 10% 50V
CE16	1	1	1	DF16472050	Film Cap., 0.0047 μ F \pm 10% 50V
CE17	1	1	1	DF16223050	Film Cap., 0.022 μ F \pm 10% 50V
CE18	1	1	1	DF16223050	Film Cap., 0.022 μ F \pm 10% 50V
CE19	1	1	1	DF16223050	Film Cap., 0.022 μ F \pm 10% 50V
CE20	1	1	1	DF16223050	Film Cap., 0.022 μ F \pm 10% 50V
CE21	1	1	1	DF16822050	Film Cap., 0.0082 μ F \pm 10% 50V
CE22	1	1	1	DF16822050	Film Cap., 0.0082 μ F \pm 10% 50V
CE23	1	1	1	EE10505010	Electrolytic Cap., 1 μ F \pm 20% 50V
CE24	1	1	1	EE10505010	Electrolytic Cap., 1 μ F \pm 20% 50V
CE25	1	1	1	EE33505010	Electrolytic Cap., 3.3 μ F \pm 20% 50V
CE26	1	1	1	EE33505010	Electrolytic Cap., 3.3 μ F \pm 20% 50V
CE27	1	1	1	EQ10505010	Electrolytic Cap., 1 μ F \pm 30% 50V
CE27	1	1	1	EQ10603510	Electrolytic Cap., 10 μ F \pm 30% 35V
CE28	1	1	1	EQ10505010	Electrolytic Cap., 1 μ F \pm 30% 50V
CE28	1	1	1	EQ10603510	Electrolytic Cap., 10 μ F \pm 30% 35V
CE29	1	1	1	DF16682050	Film Cap., 0.0068 μ F \pm 10% 50V
CE30	1	1	1	DF16682050	Film Cap., 0.0068 μ F \pm 10% 50V
CE31	1	1	1	EQ22405010	Electrolytic Cap., 0.22 μ F \pm 30% 50V
CE32	1	1	1	EQ22405010	Electrolytic Cap., 0.22 μ F \pm 30% 50V
CE33	1	1	1	DF15222050	Film Cap., 0.0022 μ F \pm 5% 50V
CE34	1	1	1	DF15222050	Film Cap., 0.0022 μ F \pm 5% 50V
CE35	1	1	1	EA22703590	Electrolytic Cap., 220 μ F \pm 10% 35V
JE01	27	27	27	YP10001130	Plug
JE27	1	1	1	YP10001130	Plug, Pin
JE28	1	1	1	YP10001130	Plug, Pin
JE29	1	1	1	YP10001130	Plug, Pin
PE01	1	1	1	YK22050220	P.W. Board
	1	1	1	ZZ22050220	P.W. Board Assembly
			1	ZZ22058220	P.W. Board Assembly
QE01	1	1	1	HT316812A0	Transistor, 2SC1681 (GR, BL)
QE02	1	1	1	HT316812A0	Transistor, 2SC1681 (GR, BL)
QE03	1	1	1	HT108412A0	Transistor, 2SA 841 (GR, BL)
QE04	1	1	1	HT108412A0	Transistor, 2SA 841 (GR, BL)
QE05	1	1	1	HT316812A0	Transistor, 2SC1681 (GR, BL)
QE06	1	1	1	HT316812A0	Transistor, 2SC1681 (GR, BL)
QE07	1	1	1	HT108412A0	Transistor, 2SA 841 (GR, BL)
QE08	1	1	1	HT108412A0	Transistor, 2SA 841 (GR, BL)
RE01	1	1	1	RT05102140	Resistor, 1k Ω \pm 5% $\frac{1}{4}$ W
RE02	1	1	1	RT05102140	Resistor, 1k Ω \pm 5% $\frac{1}{4}$ W
RE03	1	1	1	RM05030690	Variable Resistor, 50k Ω (BH) Bal.
RE05	1	1	1	RM05030700	Variable Resistor, 50k Ω (B) Vol.
RE07	1	1	1	RT05133140	Resistor, 13k Ω \pm 5% $\frac{1}{4}$ W
RE08	1	1	1	RT05133140	Resistor, 13k Ω \pm 5% $\frac{1}{4}$ W
RE09	1	1	1	RT05392140	Resistor, 3.9k Ω \pm 5% $\frac{1}{4}$ W
RE10	1	1	1	RT05392140	Resistor, 3.9k Ω \pm 5% $\frac{1}{4}$ W
RE11	1	1	1	RT05474140	Resistor, 470k Ω \pm 5% $\frac{1}{4}$ W
RE12	1	1	1	RT05474140	Resistor, 470k Ω \pm 5% $\frac{1}{4}$ W
RE13	1	1	1	RT05391140	Resistor, 390 Ω \pm 5% $\frac{1}{4}$ W
RE14	1	1	1	RT05391140	Resistor, 390 Ω \pm 5% $\frac{1}{4}$ W
RE15	1	1	1	RT05105140	Resistor, 1M Ω \pm 5% $\frac{1}{4}$ W
RE16	1	1	1	RT05105140	Resistor, 1M Ω \pm 5% $\frac{1}{4}$ W
RE17	1	1	1	RT05104140	Resistor, 100k Ω \pm 5% $\frac{1}{4}$ W

REF. DESIG.	Q'TY			PART NO.	DESCRIPTION
	U	C	E		
RE18	1	1	1	RT05103140	Resistor, 10k Ω \pm 5% $\frac{1}{4}$ W
RE19	1	1	1	RT05102140	Resistor, 1k Ω \pm 5% $\frac{1}{4}$ W
RE20	1	1	1	RT05102140	Resistor, 1k Ω \pm 5% $\frac{1}{4}$ W
RE21	1	1	1	RT05273140	Resistor, 27k Ω \pm 5% $\frac{1}{4}$ W
RE22	1	1	1	RT05273140	Resistor, 27k Ω \pm 5% $\frac{1}{4}$ W
RE23	1	1	1	RT05752140	Resistor, 7.5k Ω \pm 5% $\frac{1}{4}$ W
RE23	1	1	1	RT05822140	Resistor, 8.2k Ω \pm 5% $\frac{1}{4}$ W
RE24	1	1	1	RT05752140	Resistor, 7.5k Ω \pm 5% $\frac{1}{4}$ W
RE24	1	1	1	RT05822140	Resistor, 8.2k Ω \pm 5% $\frac{1}{4}$ W
RE25	1	1	1	RT05102140	Resistor, 1k Ω \pm 5% $\frac{1}{4}$ W
RE26	1	1	1	RT05102140	Resistor, 1k Ω \pm 5% $\frac{1}{4}$ W
RE27	1	1	1	RT05474140	Resistor, 470k Ω \pm 5% $\frac{1}{4}$ W
RE28	1	1	1	RT05474140	Resistor, 470k Ω \pm 5% $\frac{1}{4}$ W
RE29	1	1	1	RT05123140	Resistor, 12k Ω \pm 5% $\frac{1}{4}$ W
RE30	1	1	1	RT05123140	Resistor, 12k Ω \pm 5% $\frac{1}{4}$ W
RE31	1	1	1	RT05562140	Resistor, 5.6k Ω \pm 5% $\frac{1}{4}$ W
RE32	1	1	1	RT05562140	Resistor, 5.6k Ω \pm 5% $\frac{1}{4}$ W
RE33	1	1	1	RT05334140	Resistor, 330k Ω \pm 5% $\frac{1}{4}$ W
RE34	1	1	1	RT05334140	Resistor, 330k Ω \pm 5% $\frac{1}{4}$ W
RE35	1	1	1	RT05562140	Resistor, 5.6k Ω \pm 5% $\frac{1}{4}$ W
RE36	1	1	1	RT05562140	Resistor, 5.6k Ω \pm 5% $\frac{1}{4}$ W
RE37	1	1	1	RT05562140	Resistor, 5.6k Ω \pm 5% $\frac{1}{4}$ W
RE38	1	1	1	RT05562140	Resistor, 5.6k Ω \pm 5% $\frac{1}{4}$ W
RE39	1	1	1	RT05273140	Resistor, 27k Ω \pm 5% $\frac{1}{4}$ W
RE40	1	1	1	RT05273140	Resistor, 27k Ω \pm 5% $\frac{1}{4}$ W
RE41	1	1	1	RT05153140	Resistor, 15k Ω \pm 5% $\frac{1}{4}$ W
RE42	1	1	1	RT05153140	Resistor, 15k Ω \pm 5% $\frac{1}{4}$ W
RE43	1	1	1	RT05123140	Resistor, 12k Ω \pm 5% $\frac{1}{4}$ W
RE44	1	1	1	RT05123140	Resistor, 12k Ω \pm 5% $\frac{1}{4}$ W
RE45	1	1	1	RT05273140	Resistor, 27k Ω \pm 5% $\frac{1}{4}$ W
RE46	1	1	1	RT05273140	Resistor, 27k Ω \pm 5% $\frac{1}{4}$ W
RE47	1	1	1	RT05334140	Resistor, 330k Ω \pm 5% $\frac{1}{4}$ W
RE48	1	1	1	RT05334140	Resistor, 330k Ω \pm 5% $\frac{1}{4}$ W
RE49	1	1	1	RD01040150	Variable Resistor, 100k Ω (B) Treble
RE51	1	1	1	RD01040150	Variable Resistor, 100k Ω (B) Mid
RE53	1	1	1	RD01040150	Variable Resistor, 100k Ω (B) Bass
RE55	1	1	1	RT05683140	Resistor, 68k Ω \pm 5% $\frac{1}{4}$ W
RE56	1	1	1	RT05683140	Resistor, 68k Ω \pm 5% $\frac{1}{4}$ W
RE57	1	1	1	RT05225140	Resistor, 2.2M Ω \pm 5% $\frac{1}{4}$ W
RE58	1	1	1	RT05225140	Resistor, 2.2M Ω \pm 5% $\frac{1}{4}$ W
RE59	1	1	1	RT05473140	Resistor, 47k Ω \pm 5% $\frac{1}{4}$ W
RE60	1	1	1	RT05473140	Resistor, 47k Ω \pm 5% $\frac{1}{4}$ W
RE61	1	1	1	RT05221140	Resistor, 220 Ω \pm 5% $\frac{1}{4}$ W
RE62	1	1	1	RT05221140	Resistor, 220 Ω \pm 5% $\frac{1}{4}$ W
RE63	1	1	1	RT05103140	Resistor, 10k Ω \pm 5% $\frac{1}{4}$ W
RE64	1	1	1	RT05103140	Resistor, 10k Ω \pm 5% $\frac{1}{4}$ W
RE65	1	1	1	RT05474140	Resistor, 470k Ω \pm 5% $\frac{1}{4}$ W
RE66	1	1	1	RT05474140	Resistor, 470k Ω \pm 5% $\frac{1}{4}$ W
RE67	1	1	1	RT05472140	Resistor, 4.7k Ω \pm 5% $\frac{1}{4}$ W
RE68	1	1	1	RT05472140	Resistor, 4.7k Ω \pm 5% $\frac{1}{4}$ W
RE69	1	1	1	RT05225140	Resistor, 2.2M Ω \pm 5% $\frac{1}{4}$ W
RE70	1	1	1	RT05225140	Resistor, 2.2M Ω \pm 5% $\frac{1}{4}$ W
RE71	1	1	1	RT05105140	Resistor, 1M Ω \pm 5% $\frac{1}{4}$ W
RE72	1	1	1	RT05105140	Resistor, 1M Ω \pm 5% $\frac{1}{4}$ W
RE73	1	1	1	RT05562140	Resistor, 5.6k Ω \pm 5% $\frac{1}{4}$ W
RE74	1	1	1	RT05562140	Resistor, 5.6k Ω \pm 5% $\frac{1}{4}$ W
RE75	1	1	1	RT05821140	Resistor, 820 Ω \pm 5% $\frac{1}{4}$ W

• (U) for U.S.A.
 • (C) for Canada
 • (N) for Europe

REF. DESIG.	QTY			PART NO.	DESCRIPTION
	U	C	E		
SE01	1	1	1	SP06050110	Pushswitch, Dolby, Tape, Mono, etc.
JZ01	7	7	7	YP10001130	Plug
JZ07	10	10	10	YJ08000170	Jack
JZ08					
JZ17					
PZ01 DIAL LAMP BOARD					
PZ01	1	1	1	YF22130050	P.W. Board
	1	1	1	ZZ22130050	P.W. Board Assembly
VZ01	1	1	1	IN10080070	Lamp, 8V 200mA
VZ02	1	1	1	IN10080070	Lamp, 8V 200mA
VZ03	1	1	1	IN10080070	Lamp, 8V 200mA
VZ04	1	1	1	IN10080070	Lamp, 8V 200mA
VZ05	1	1	1	IN10080070	Lamp, 8V 200mA
C001	1	1	1	DK18103010	Ceramic Cap., 0.01μF 50V
C002	1	1	1	DK18103010	Ceramic Cap., 0.01μF 50V
C003	1	1	1	EI68804020	Electrolytic Cap., 6800μF ±5% 40V
C004	1	1	1	DK18103510	Ceramic Cap., 0.01μF 500V
C005	1			DF17473590	Film Cap., 0.047μF
C005		1		DO07223510	Oil-Paper Cap., 0.022μF ±20% 450V
C006		1		DO07223510	Oil-Paper Cap., 0.022μF ±20% 450V
F001		1		FS10160800	Fuse, SEMKO 1.6A
F001	1	1		FS10200060	Fuse, MGC 2A 30mm
F002		1		FS20250910	Fuse, 2.5A
G001	1			BF10400040	Cap. Comp., Printed Comp.
J001	1	1	1	BY04050010	Terminal, Ant. Terminal
J002	1	1	1	YT01010050	Terminal, Ground
J003	1	1	1	YT02040140	Terminal, 4P Phono & Aux
J004	1	1	1	YT02040140	Terminal, 4P Tape 1
J005	1	1	1	YT02040140	Terminal, 4P Tape 2
J006	1	1	1	YT02040170	Terminal, 4P Pre Out & Main In
J007	1	1	1	YT02010130	Terminal, 1P Quadrature Out
J008	1	1	1	YT03040160	Terminal, Spkr Out System 1
J009	1	1	1	YT03040160	Terminal, Spkr Out System 2
J010	1	1	1	YJ01001080	Jack, Headphones
J011	1	1	1	YJ08000250	Jack, Lamp Holder
J012	1	1	1	YJ08000250	Jack, Lamp Holder
J013	1	1	1	YJ04000560	Jack, AC Outlet
J014	1	1	1	YJ04000560	Jack, AC Outlet
J015	1	1		YJ08000120	Jack, Fuse Holder
J015		1		YJ08000220	Jack, Fuse Holder
J016		1		BY03110010	Plug, Voltage Selector
J017		1		YL09030010	Terminal, 3P
L001	1	1	1	LF11200520	Ant. Coil, AM
L002	1	1	1	LB30075260	Balun Coil
L003	1	1		TS19608010	Power Transformer
L003		1		TS19608020	Power Transformer
M001	1	1	1	IM11055080	DC Meter, Signal Strength
M002	1	1	1	IM11055050	DC Meter, Tuning
Q001	1	1	1	HD20003290	Diode, S4VB
R001	1	1		RC10225120	Resistor, 2.2MΩ ±10% ½W
S001	1	1	1	SP02010270	Pushswitch, Power
S001		1		SP04010250	Pushswitch, Power
S002	1	1	1	SP02010260	Pushswitch, FM Muting
V001	1	1	1	IN10080340	Lamp, Stereo Indi.

REF. DESIG.	QTY			PART NO.	DESCRIPTION
	U	C	E		
V002	1	1	1	IN10080430	Lamp, 8V 300mA
V004	1	1	1	IN10080430	Lamp, 8V 300mA
W001		1		YC01900030	A.C. Power Cord
W001	1	1		YC02400220	A.C. Power Cord
C101	1	1	1	DD16120020	Ceramic Cap., 12pF ±10%
C102	1	1	1	DK18203030	Ceramic Cap., 0.02μF
C103	1	1	1	DK18203030	Ceramic Cap., 0.02μF
C104	1	1	1	DD11020010	Ceramic Cap., 2pF
C105	1	1	1	DK18203030	Ceramic Cap., 0.02μF
C106	1	1	1	DD16150040	Ceramic Cap., 15pF ±10%
C107	1	1	1	DD11020010	Ceramic Cap., 2pF
C108	1	1	1	DD12050010	Ceramic Cap., 5pF
C109	1	1	1	DD16101010	Ceramic Cap., 100pF ±10%
C110	1	1	1	DK18203030	Ceramic Cap., 0.02μF
C111	1	1	1	DD16101010	Ceramic Cap., 100pF ±10%
C112	1	1	1	DK18203030	Ceramic Cap., 0.02μF
C113	1	1	1	DD15150020	Ceramic Cap., 15pF ±5%
C114	1	1	1	DD10050030	Ceramic Cap., 5pF
C115	1	1	1	DD12050010	Ceramic Cap., 5pF
C116	1	1	1	DD16330020	Ceramic Cap., 33pF ±10%
C117	1	1	1	DD12100060	Ceramic Cap., 10pF
C118	1	1	1	DK18203030	Ceramic Cap., 0.02μF
C119	1	1	1	DD11020010	Ceramic Cap., 2pF
C120	1	1	1	CA32400080	Variable Cap.
C121	1	1	1	CT14200010	Trimming Cap.
C151	1	1	1	DK17103010	Ceramic Cap., 0.01μF ±20%
C152	1	1	1	DK17103010	Ceramic Cap., 0.01μF ±20%
C153	1	1	1	DK17102010	Ceramic Cap., 0.001μF ±20%
C154	1	1	1	EA10701690	Electrolytic Cap., 100μF 16V
C155	1	1	1	DK18403020	Ceramic Cap., 0.04μF
C156	1	1	1	DF65391010	Film Cap., 390pF
C157	1	1	1	DD16150010	Ceramic Cap., 15pF ±10%
C158	1	1	1	DK18103010	Ceramic Cap., 0.01μF
C159	1	1	1	DK17103010	Ceramic Cap., 0.01μF ±20%
C160	1	1	1	DD16820010	Ceramic Cap., 82pF ±10%
C161	1	1	1	DK17103010	Ceramic Cap., 0.01μF ±20%
C162	1	1	1	DK18403020	Ceramic Cap., 0.04μF
C163	1	1	1	EA10505090	Electrolytic Cap., 1μF 50V
C164	1	1	1	EA22601690	Electrolytic Cap., 22μF 16V
C165	1	1	1	EA47503590	Electrolytic Cap., 4.7μF 35V
C166	1	1	1	DK17102010	Ceramic Cap., 0.001μF ±20%
C167	1	1	1	DK18103010	Ceramic Cap., 0.01μF
C168	1	1	1	DK16682010	Ceramic Cap., 0.0068μF ±10%
C169	1	1	1	DK18403020	Ceramic Cap., 0.04μF
C170	1	1	1	EA10701690	Electrolytic Cap., 100μF 16V
C171	1	1	1	DF16104010	Film Cap., 0.1μF ±10%
C172	1	1	1	EE47502510	Electrolytic Cap., 4.7μF 25V
F151	1	1	1	FF10045160	Ceramic Filter, AM CF SFD455D
J101	1	1	1	YP10001510	Plug
J102	1	1	1	YP10001510	Plug
J103	1	1	1	YP10001510	Plug
J105	1	1	1	YP10001510	Plug
J107	1	1	1	YP10001510	Plug
J109	1	1	1	YP10001510	Plug
J110	1	1	1	YP10001510	Plug
J111	1	1	1	YP10001510	Plug
L105	1	1	1	LC12220010	Choke Coil

- (U) for U.S.A.
- (C) for Canada
- (N) for Europe

REF. DESIG.	Q'TY			PART NO.	DESCRIPTION
	U	C	E		
L106	1	1	1	LI10239010	I.F.T.
L151	1	1	1	LC13320020	Choke Coil, 3.3μH
L152	1	1	1	LC13320020	Choke Coil, 3.3μH
L153	1	1	1	LC13320020	Choke Coil, 3.3μH
L154	1	1	1	LO10010480	Osc. Coil, AM Osc.
L155	1	1	1	LI10015010	I.F.T., AM
L156	1	1	1	LI10015060	I.F.T., AM
P100 FM FRONT END BOARD					
P100	1	1	1	YD29910010	P.W. Board
A201	1	1	1	AV01202060	FM Front End Assembly
Q101	1	1	1	HF400451B0	F.E.T., 3SK45 (B)
Q102	1	1	1	HT305352B0	Transistor, 2SC535 (B, C)
Q103	1	1	1	HT313422B0	Transistor, 2SC1342 (B, C)
Q151	1	1	1	HC10019010	IC, HA1197
Q152	1	1	1	HT313272A0	Transistor, 2SC1327 (S, T)
Q153	1	1	1	HV00006120	Varistor, MV-203
R101	1	1	1	GD05105140	Resistor, 1MΩ ±5% ¼W
R102	1	1	1	GD05101140	Resistor, 100Ω ±5% ¼W
R103	1	1	1	GD05101140	Resistor, 100Ω ±5% ¼W
R104	1	1	1	GD05101140	Resistor, 100Ω ±5% ¼W
R105	1	1	1	GD05223140	Resistor, 22kΩ ±5% ¼W
R106	1	1	1	GD05472140	Resistor, 4.7kΩ ±5% ¼W
R107	1	1	1	GD05102140	Resistor, 1kΩ ±5% ¼W
R108	1	1	1	GD05103140	Resistor, 10kΩ ±5% ¼W
R109	1	1	1	GD05332140	Resistor, 3.3kΩ ±5% ¼W
R110	1	1	1	GD05103140	Resistor, 10kΩ ±5% ¼W
R111	1	1	1	GD05101140	Resistor, 100Ω ±5% ¼W
R151	1	1	1	RT05201140	Resistor, 200Ω ±5% ¼W
R152	1	1	1	RT05152140	Resistor, 1.5kΩ ±5% ¼W
R153	1	1	1	RT05202140	Resistor, 2kΩ ±5% ¼W
R154	1	1	1	RT05152140	Resistor, 1.5kΩ ±5% ¼W
R155	1	1	1	RT05151140	Resistor, 150Ω ±5% ¼W
R156	1	1	1	RA05020200	Trimming Resistor, 5kΩ
R157	1	1	1	RT05391140	Resistor, 390Ω ±5% ¼W
R158	1	1	1	RT05124140	Resistor, 120kΩ ±5% ¼W
R159	1	1	1	RT05104140	Resistor, 100kΩ ±5% ¼W
R160	1	1	1	RT05103140	Resistor, 10kΩ ±5% ¼W
R161	1	1	1	RT05103140	Resistor, 10kΩ ±5% ¼W
R162	1	1	1	RT05102140	Resistor, 1kΩ ±5% ¼W
R163	1	1	1	RT05301140	Resistor, 300Ω ±5% ¼W
R164	1	1	1	RT05473140	Resistor, 47kΩ ±5% ¼W
R165	1	1	1	RT05104140	Resistor, 100kΩ ±5% ¼W
R166	1	1	1	RT05152140	Resistor, 1.5kΩ ±5% ¼W
R167	1	1	1	RT05242140	Resistor, 2.4kΩ ±5% ¼W
R169	1	1	1	RT05473140	Resistor, 47kΩ ±5% ¼W
R170	1	1	1	RT05101140	Resistor, 100Ω ±5% ¼W
C201	1	1	1	DD15300010	Ceramic Cap., 30pF ±5%
C202	1	1	1	DK17103010	Ceramic Cap., 0.01μF ±20%
C203	1	1	1	DK17103010	Ceramic Cap., 0.01μF ±20%
C204	1	1	1	DK17103010	Ceramic Cap., 0.01μF ±20%
C205	1	1	1	DK18403020	Ceramic Cap., 0.04μF
C206	1	1	1	DK18403020	Ceramic Cap., 0.04μF
C207	1	1	1	DK18403020	Ceramic Cap., 0.04μF
C208	1	1	1	EA47503590	Electrolytic Cap., 4.7μF 35V
C209	1	1	1	DD15400040	Ceramic Cap., 40pF ±5%
C210	1	1	1	EA22601690	Electrolytic Cap., 22μF 16V

REF. DESIG.	Q'TY			PART NO.	DESCRIPTION
	U	C	E		
C211	1	1	1	EA47405010	Electrolytic Cap., 0.47μF 50V
C212	1	1	1	DK18403010	Ceramic Cap., 0.04μF
C213	1	1	1	DK18403010	Ceramic Cap., 0.04μF
C214	1	1	1	DK18403010	Ceramic Cap., 0.04μF
C215	1	1	1	DK18403010	Ceramic Cap., 0.04μF
C216	1	1	1	DK18403010	Ceramic Cap., 0.04μF
C217	1	1	1	EA10505090	Electrolytic Cap., 1μF 50V
C218	1	1	1	EA10505090	Electrolytic Cap., 1μF 50V
F201	1	1	1	FF11070050	Ceramic Filter, FM 10.7 MHz
F202	1	1	1	FF11070050	Ceramic Filter, FM 10.7 MHz
F203	1	1	1	FF11070050	Ceramic Filter, FM 10.7 MHz
J201	29	29	29	YP10001130	Plug
J229					
J231	1	1	1	YP10001130	Plug
J232	1	1	1	YP10001130	Plug
J233	1	1	1	YP10001130	Plug, AM Test Point
L202	1	1	1	LI14019010	I.F.T., FM
L203	1	1	1	LC11830010	Choke Coil, 18μH
P200 TUNER BOARD					
P200	1	1	1	YD22042012	P.W. Board
	1	1	1	ZZ22052012	P.W. Board Assembly
				ZZ22058012	P.W. Board Assembly
Q201	1	1	1	HT310471C0	Transistor, 2SC1047 C
Q202	1	1	1	HC10021010	IC, HA1137W
Q203	1	1	1	HD20001210	Diode, 1S2473
Q204	1	1	1	HD20001210	Diode, 1S2473
Q205	1	1	1	HD20001210	Diode, 1S2473
Q206	1	1	1	HT308281D0	Transistor, 2SC828 S
Q207	1	1	1	HD20001210	Diode, 1S2473
R201	1	1	1	RT05151140	Resistor, 150Ω ±5% ¼W
R202	1	1	1	RT05331140	Resistor, 330Ω ±5% ¼W
R203	1	1	1	RT05153140	Resistor, 15kΩ ±5% ¼W
R204	1	1	1	RT05202140	Resistor, 2kΩ ±5% ¼W
R205	1	1	1	RT05331140	Resistor, 330Ω ±5% ¼W
R206	1	1	1	RT05102140	Resistor, 1kΩ ±5% ¼W
R207	1	1	1	RT05101140	Resistor, 100Ω ±5% ¼W
R208	1	1	1	RT05334140	Resistor, 330kΩ ±5% ¼W
R209	1	1	1	RA05030120	Trimming Resistor, 50kΩ (B)
R210	1	1	1	RT05103140	Resistor, 10kΩ ±5% ¼W
R211	1	1	1	RT05104140	Resistor, 100kΩ ±5% ¼W
R212	1	1	1	RA01030250	Trimming Resistor, 10kΩ (B)
R213	1	1	1	RT05123140	Resistor, 12kΩ ±5% ¼W
R214	1	1	1	RT05331140	Resistor, 330Ω ±5% ¼W
R215	1	1	1	RA05030120	Trimming Resistor, 50kΩ (B)
R216	1	1	1	RT05562140	Resistor, 5.6kΩ ±5% ¼W
R217	1	1	1	RT05222140	Resistor, 2.2kΩ ±5% ¼W
R218	1	1	1	RT05222140	Resistor, 2.2kΩ ±5% ¼W
R219	1	1	1	RT05123140	Resistor, 12kΩ ±5% ¼W
R220	1	1	1	RT05391140	Resistor, 390Ω ±5% ¼W
R221	1	1	1	RT05223140	Resistor, 22kΩ ±5% ¼W
R222	1	1	1	RT05473140	Resistor, 47kΩ ±5% ¼W
R223	1	1	1	RT05470140	Resistor, 47Ω ±5% ¼W
R224	1	1	1	RT05102140	Resistor, 1kΩ ±5% ¼W
C301	1	1	1	EA47503590	Electrolytic Cap., 4.7μF 35V
C302	1	1	1	DF65361500	Film Cap., 360pF ±5%

• (U) for U.S.A.
 • (C) for Canada
 • (N) for Europe

REF. DESIG.	Q'TY			PART NO.	DESCRIPTION
	U	C	E		
C303	1	1	1	EA10701690	Electrolytic Cap., 100μF 16V
C304	1	1	1	EE33502510	Electrolytic Cap., 3.3μF 25V
C305	1	1	1	EE10505010	Electrolytic Cap., 1μF 50V
C306	1	1	1	EA10505090	Electrolytic Cap., 1μF 50V
C307	1	1	1	EQ22405010	Electrolytic Cap., 0.22μF 50V
C308	1	1	1	DF17473010	Film Cap., 0.047μF ±20%
C309	1	1	1	DD15500050	Ceramic Cap., 50pF ±5%
C310	1	1	1	DD15500050	Ceramic Cap., 50pF ±5%
C311	1	1	1	EA10601690	Electrolytic Cap., 10μF 16V
C312	1	1	1	EA10601690	Electrolytic Cap., 10μF 16V
C313	1	1	1	EA22505090	Electrolytic Cap., 2.2μF 50V
C314	1	1	1	EA22505090	Electrolytic Cap., 2.2μF 50V
C315	1	1	1	DF15102050	Film Cap., 1000pF ±5%
C315	1	1	1	DF15222050	Film Cap., 2200pF ±5%
C316	1	1	1	DF15102050	Film Cap., 1000pF ±5%
C316	1	1	1	DF15222050	Film Cap., 2200pF ±5%
C317	1	1	1	EA47405010	Electrolytic Cap., 0.47μF 50V
C318	1	1	1	EA47405010	Electrolytic Cap., 0.47μF 50V
C319	1	1	1	EE47502510	Electrolytic Cap., 4.7μF 25V
C320	1	1	1	EE47502510	Electrolytic Cap., 4.7μF 25V
C321	1	1	1	EA10701690	Electrolytic Cap., 100μF 16V
C322	1	1	1	EE10601640	Electrolytic Cap., 10μF 16V
L301	1	1	1	LS35025010	M.P.X. Coil, LPF.
Q301	1	1	1	HT308281D0	Transistor, 2SC828 S
Q302	1	1	1	HC10020010	IC, HA1196
Q303	1	1	1	HT313441E0	Transistor, 2SC1344 E
Q304	1	1	1	HT313441E0	Transistor, 2SC1344 E
R301	1	1	1	RA01030310	Trimming Resistor, 10kΩ (B)
R302	1	1	1	RT05104140	Resistor, 100kΩ ±5% ¼W
R303	1	1	1	RT05223140	Resistor, 22kΩ ±5% ¼W
R304	1	1	1	RT05102140	Resistor, 1kΩ ±5% ¼W
R305	1	1	1	RT05104140	Resistor, 100kΩ ±5% ¼W
R306	1	1	1	RT05824140	Resistor, 820kΩ ±5% ¼W
R307	1	1	1	RT05473140	Resistor, 47kΩ ±5% ¼W
R309	1	1	1	RT05154140	Resistor, 150kΩ ±5% ¼W
R310	1	1	1	RT05223140	Resistor, 22kΩ ±5% ¼W
R311	1	1	1	RT05272140	Resistor, 2.7kΩ ±5% ¼W
R312	1	1	1	RT05101140	Resistor, 100Ω ±5% ¼W
R313	1	1	1	RT05303140	Resistor, 30kΩ ±5% ¼W
R314	1	1	1	RT05303140	Resistor, 30kΩ ±5% ¼W
R315	1	1	1	RT05473140	Resistor, 47kΩ ±5% ¼W
R316	1	1	1	RT05473140	Resistor, 47kΩ ±5% ¼W
R317	1	1	1	RA05040080	Trimming Resistor, 500kΩ (B)
R318	1	1	1	RT05473140	Resistor, 47kΩ ±5% ¼W
R319	1	1	1	RT05273140	Resistor, 27kΩ ±5% ¼W
R320	1	1	1	RT05273140	Resistor, 27kΩ ±5% ¼W
R321	1	1	1	RT05332140	Resistor, 3.3kΩ ±5% ¼W
R322	1	1	1	RT05332140	Resistor, 3.3kΩ ±5% ¼W
R323	1	1	1	RT05332140	Resistor, 3.3kΩ ±5% ¼W
R324	1	1	1	RT05332140	Resistor, 3.3kΩ ±5% ¼W
R325	1	1	1	RT05243140	Resistor, 24kΩ ±5% ¼W
R326	1	1	1	RT05243140	Resistor, 24kΩ ±5% ¼W
R327	1	1	1	RT05394140	Resistor, 390kΩ ±5% ¼W
R328	1	1	1	RT05394140	Resistor, 390kΩ ±5% ¼W
R329	1	1	1	RT05105140	Resistor, 1MΩ ±5% ¼W
R330	1	1	1	RT05105140	Resistor, 1MΩ ±5% ¼W
R331	1	1	1	RT05391140	Resistor, 390Ω ±5% ¼W

REF. DESIG.	Q'TY			PART NO.	DESCRIPTION
	U	C	E		
R332	1	1	1	RT05391140	Resistor, 390Ω ±5% ¼W
R333	1	1	1	RT05222140	Resistor, 2.2kΩ ±5% ¼W
R334	1	1	1	RT05222140	Resistor, 2.2kΩ ±5% ¼W
R335	1	1	1	RT05473140	Resistor, 47kΩ ±5% ¼W
R336	1	1	1	RT05473140	Resistor, 47kΩ ±5% ¼W
R337	1	1	1	RT05101140	Resistor, 100Ω ±5% ¼W
R338	1	1	1	RT05101140	Resistor, 100Ω ±5% ¼W
R339	1	1	1	RT05101140	Resistor, 100Ω ±5% ¼W
R340	1	1	1	RT05201140	Resistor, 200Ω ±5% ¼W
C401	1	1	1	EV22502560	Electrolytic Cap., 2.2μF ±20% 25V
C402	1	1	1	EV22502560	Electrolytic Cap., 2.2μF ±20% 25V
C403	1	1	1	DD16201010	Ceramic Cap., 200pF ±10% 50V
C404	1	1	1	DD16201010	Ceramic Cap., 200pF ±10% 50V
C405	1	1	1	DD16151010	Ceramic Cap., 150pF ±10% 50V
C406	1	1	1	DD16151010	Ceramic Cap., 150pF ±10% 50V
C407	1	1	1	EV22600660	Electrolytic Cap., 22μF ±20% 6.3V
C408	1	1	1	EV22600660	Electrolytic Cap., 22μF ±20% 6.3V
C409	1	1	1	DD16300010	Ceramic Cap., 30pF ±10% 50V
C410	1	1	1	DD16300010	Ceramic Cap., 30pF ±10% 50V
C411	1	1	1	EA47601690	Electrolytic Cap., 47μF ±5% 16V
C412	1	1	1	EA47601690	Electrolytic Cap., 47μF ±5% 16V
C413	1	1	1	DD16101010	Ceramic Cap., 100pF ±10% 50V
C414	1	1	1	DD16101010	Ceramic Cap., 100pF ±10% 50V
C415	1	1	1	EE22503510	Electrolytic Cap., 2.2μF ±20% 35V
C416	1	1	1	EE22503510	Electrolytic Cap., 2.2μF ±20% 35V
C417	1	1	1	DF15152010	Film Cap., 0.0015μF ±5% 50V
C418	1	1	1	DF15152010	Film Cap., 0.0015μF ±5% 50V
C419	1	1	1	DF15562010	Film Cap., 0.0056μF ±5% 50V
C420	1	1	1	DF15562010	Film Cap., 0.0056μF ±5% 50V
C421	1	1	1	EA10705090	Electrolytic Cap., 100μF ±5% 50V
C422	1	1	1	EA47601090	Electrolytic Cap., 47μF ±5% 10V
J401					
J438	38	38	38	YP10001130	Plug
L401	1	1	1	LC11540020	Choke Coil, 150μH
P400	1	1	1	YK22050210	P.W. Board
	1	1	1	ZZ22050210	P.W. Board Assembly
Q401	1	1	1	HT316811B0	Transistor, 2SC1681 (BL)
Q402	1	1	1	HT316811B0	Transistor, 2SC1681 (BL)
Q403	1	1	1	HT316812A0	Transistor, 2SC1681 (GR, BL)
Q404	1	1	1	HT316812A0	Transistor, 2SC1681 (GR, BL)
Q405	1	1	1	HT316811B0	Transistor, 2SC1681 (BL)
Q406	1	1	1	HT316811B0	Transistor, 2SC1681 (BL)
R401	1	1	1	RT05913140	Resistor, 91kΩ ±5% ¼W
R402	1	1	1	RT05913140	Resistor, 91kΩ ±5% ¼W
R403	1	1	1	RT05471140	Resistor, 470Ω ±5% ¼W
R404	1	1	1	RT05471140	Resistor, 470Ω ±5% ¼W
R405	1	1	1	RT05394140	Resistor, 390kΩ ±5% ¼W
R406	1	1	1	RT05394140	Resistor, 390kΩ ±5% ¼W
R407	1	1	1	RT05223140	Resistor, 22kΩ ±5% ¼W
R408	1	1	1	RT05223140	Resistor, 22kΩ ±5% ¼W
R409	1	1	1	RT05681140	Resistor, 680Ω ±5% ¼W
R410	1	1	1	RT05681140	Resistor, 680Ω ±5% ¼W
R411	1	1	1	RT05104140	Resistor, 100kΩ ±5% ¼W
R412	1	1	1	RT05104140	Resistor, 100kΩ ±5% ¼W

- (U) for U.S.A.
- (C) for Canada
- (N) for Europe

REF. DESIG.	QTY			PART NO.	DESCRIPTION
	U	C	E		
R413	1	1	1	RT05303140	Resistor, 30kΩ ±5% ¼W
R414	1	1	1	RT05303140	Resistor, 30kΩ ±5% ¼W
R415	1	1	1	RT05562140	Resistor, 5.6kΩ ±5% ¼W
R416	1	1	1	RT05562140	Resistor, 5.6kΩ ±5% ¼W
R417	1	1	1	RT05182140	Resistor, 1.8kΩ ±5% ¼W
R418	1	1	1	RT05182140	Resistor, 1.8kΩ ±5% ¼W
R419	1	1	1	RT05472140	Resistor, 4.7kΩ ±5% ¼W
R420	1	1	1	RT05472140	Resistor, 4.7kΩ ±5% ¼W
R421	1	1	1	RT05224140	Resistor, 220kΩ ±5% ¼W
R422	1	1	1	RT05224140	Resistor, 220kΩ ±5% ¼W
R423	1	1	1	RT05473140	Resistor, 47kΩ ±5% ¼W
R424	1	1	1	RT05473140	Resistor, 47kΩ ±5% ¼W
R425	1	1	1	RT05152140	Resistor, 1.5kΩ ±5% ¼W
R426	1	1	1	RT05152140	Resistor, 1.5kΩ ±5% ¼W
R427	1	1	1	RT05564140	Resistor, 560kΩ ±5% ¼W
R428	1	1	1	RT05564140	Resistor, 560kΩ ±5% ¼W
R429	1	1	1	RT05101140	Resistor, 100Ω ±5% ¼W
R430	1	1	1	GF05330120	Resistor, 33Ω ±5% ¼W
S401	1	1	1	SR10050130	Rotary Switch, Selector
C701	1	1	1	EE22505010	Electrolytic Cap., 2.2μF ±20% 50V
C702	1	1	1	EE22505010	Electrolytic Cap., 2.2μF ±20% 50V
C703	1	1	1	EE47601640	Electrolytic Cap., 47μF ±20% 16V
C704	1	1	1	EE47601640	Electrolytic Cap., 47μF ±20% 16V
C705	1	1	1	EA47605090	Electrolytic Cap., 47μF ±18% 50V
C706	1	1	1	EA47605090	Electrolytic Cap., 47μF ±18% 50V
C707	1	1	1	DD16201010	Ceramic Cap., 200pF ±10% 25V
C708	1	1	1	DD16201010	Ceramic Cap., 200pF ±10% 25V
C709	1	1	1	DD10030500	Ceramic Cap., 3pF ±0.25pF 500V
C710	1	1	1	DD10030500	Ceramic Cap., 3pF ±0.25pF 500V
C711	1	1	1	DK16101500	Ceramic Cap., 100pF ±10% 500V
C712	1	1	1	DK16101500	Ceramic Cap., 100pF ±10% 500V
C713	1	1	1	DK16101500	Ceramic Cap., 100pF ±10% 500V
C714	1	1	1	DK16101500	Ceramic Cap., 100pF ±10% 500V
C715	1	1	1	DF17104520	Film Cap., 0.1μF ±20% 200V
C716	1	1	1	DF17104520	Film Cap., 0.1μF ±20% 200V
C717	1	1	1	EA10603590	Electrolytic Cap., 10μF ±18% 35V
C718	1	1	1	EA22703590	Electrolytic Cap., 220μF ±18% 35V
C719	1	1	1	EA10701090	Electrolytic Cap., 100μF ±18% 10V
C720	1	1	1	EA47706310	Electrolytic Cap., 470μF ±18% 63V
C721	1	1	1	EA10706310	Electrolytic Cap., 100μF ±18% 63V
C722	1	1	1	EA33605090	Electrolytic Cap., 33μF ±18% 50V
C723	1	1	1	EA10701690	Electrolytic Cap., 100μF ±18% 16V
C724	1	1	1	EA33505090	Electrolytic Cap., 3.3μF ±18% 50V
C725	1	1	1	EA10801690	Electrolytic Cap., 1000μF ±18% 16V
C726	1	1	1	DK18103510	Ceramic Cap., 0.01μF 500V
C727	1	1	1	DF17473050	Film Cap., 0.047μF ±20% 50V
F701	1	1	1	FS10350010	Fuse, 3.5A 250V (UL)
F701	1	1	1	FS10350800	Fuse, 3.5A (SEMKO)
F702	1	1	1	FS10350010	Fuse, 3.5A 250V (UL)
F702	1	1	1	FS10350800	Fuse, 3.5A (SEMKO)
F703	1	1	1	FS10100080	Fuse, MGC 1A 30mm
F703	1	1	1	FS10100800	Fuse, 1A (SEMKO)
F704	1	1	1	FS10200060	Fuse, MGA 2A 30mm
F704	1	1	1	FS10200800	Fuse, 2A (SEMKO)
J701	23	23	23	YP10001130	Plug
J723					

REF. DESIG.	QTY			PART NO.	DESCRIPTION
	U	C	E		
J724					
?	4	4	4	YP10001200	Plug
J727					
J728					
?	11	11	11	YP10001130	Plug
J738					
J739					
?	8	8	8	YJ08000210	Jack
J746					
J747	1	1	1	YP10001130	Plug
J748	1	1	1	YP10001130	Plug
L701	1	1	1	LC22720010	Choke Coil, 2.7μH
L702	1	1	1	LC22720010	Choke Coil, 2.7μH
P700	1	1	1	YG22050010	P700 MAIN AMP. & POWER SUPPLY BOARD P.W. Board
	1	1	1	ZZ22050010	P.W. Board Assembly
Q701	1	1	1	HT107502B0	Transistor, 2SA 750 (E, U)
Q702	1	1	1	HT107502B0	Transistor, 2SA 750 (E, U)
Q703	1	1	1	HT107502B0	Transistor, 2SA 750 (E, U)
Q704	1	1	1	HT107502B0	Transistor, 2SA 750 (E, U)
Q705	1	1	1	HV00003120	Varistor, MV-13
Q706	1	1	1	HV00003120	Varistor, MV-13
Q707	1	1	1	HV00003120	Varistor, MV-13
Q708	1	1	1	HV00003120	Varistor, MV-13
Q709	1	1	1	HT318853B0	Transistor, 2SC1885 (Q, R, S)
Q710	1	1	1	HT318853B0	Transistor, 2SC1885 (Q, R, S)
Q711	1	1	1	HD20001210	Diode, 1S2473C (YE)
Q712	1	1	1	HD20001210	Diode, 1S2473C (YE)
Q713	1	1	1	HD20001210	Diode, 1S2473C (YE)
Q714	1	1	1	HD20001210	Diode, 1S2473C (YE)
Q715	1	1	1	HT309452A0	Transistor, 2SC 945 (Q, R)
Q716	1	1	1	HT309452A0	Transistor, 2SC 945 (Q, R)
Q717	1	1	1	HT107332B0	Transistor, 2SA 733 (Q, R)
Q718	1	1	1	HT107332B0	Transistor, 2SA 733 (Q, R)
Q719	1	1	1	HH00008120	Thermistor, 21D28
Q720	1	1	1	HH00008120	Thermistor, 21D28
Q721	1	1	1	HD20002210	Diode, 1S2472 (GR)
Q722	1	1	1	HD20002210	Diode, 1S2472 (GR)
Q723	1	1	1	HD20002210	Diode, 1S2472 (GR)
Q724	1	1	1	HD20002210	Diode, 1S2472 (GR)
Q725	1	1	1	HT315092A0	Transistor, 2SC1509 (P, Q)
Q726	1	1	1	HT315092A0	Transistor, 2SC1509 (P, Q)
Q727	1	1	1	HT107772A0	Transistor, 2SA 777 (P, Q)
Q728	1	1	1	HT107772A0	Transistor, 2SA 777 (P, Q)
Q729	1	1	1	HD20005010	Diode, W06B
Q730	1	1	1	HD20005010	Diode, W06B
Q731	1	1	1	HD20005010	Diode, W06B
Q732	1	1	1	HD20005010	Diode, W06B
Q733	1	1	1	HT405872B0	Transistor, 2SD 587 (R, Q)
Q734	1	1	1	HT405872B0	Transistor, 2SD 587 (R, Q)
Q735	1	1	1	HT206172B0	Transistor, 2SB 617 (R, Q)
Q736	1	1	1	HT206172B0	Transistor, 2SB 617 (R, Q)
Q737	1	1	1	HV00005080	Varistor, STV-3H (Y)
Q738	1	1	1	HV00005080	Varistor, STV-3H (Y)
Q739	1	1	1	HD30030090	Zener, WZ-177
Q740	1	1	1	HT309452B0	Transistor, 2SC 945 (P, Q)

• (U) for U.S.A.
 • (C) for Canada
 • (N) for Europe

REF. DESIG.	Q'TY			PART NO.	DESCRIPTION
	U	C	E		
Q741	1	1	1	HT309452B0	Transistor, 2SC 945 (P, Q)
Q742	1	1	1	HD30024090	Zener, WZ-120
Q743	1	1	1	HT309452B0	Transistor, 2SC 945 (P, Q)
Q744	1	1	1	HD20012030	Diode, DS-132B
Q745	1	1	1	HD20011030	Diode, DS-131B
Q746	1	1	1	HT318853B0	Transistor, 2SC1885
Q747	1	1	1	HT309452A0	Transistor, 2SC 945 (Q, R)
Q748	1	1	1	HD30025090	Zener, WZ-150
Q749	1	1	1	HD20005010	Diode, W06B
Q750	1	1	1	HT403302A0	Transistor, 2SD 330 (D, E)
R701	1	1	1	RT05474140	Resistor, 470kΩ ±5% ¼W
R702	1	1	1	RT05474140	Resistor, 470kΩ ±5% ¼W
R703	1	1	1	RT05392140	Resistor, 3.9kΩ ±5% ¼W
R704	1	1	1	RT05392140	Resistor, 3.9kΩ ±5% ¼W
R705	1	1	1	RT05333140	Resistor, 33kΩ ±5% ¼W
R706	1	1	1	RT05333140	Resistor, 33kΩ ±5% ¼W
R707	1	1	1	RT05153140	Resistor, 15kΩ ±5% ¼W
R708	1	1	1	RT05153140	Resistor, 15kΩ ±5% ¼W
R709	1	1	1	RT05103140	Resistor, 10kΩ ±5% ¼W
R710	1	1	1	RT05103140	Resistor, 10kΩ ±5% ¼W
R711	1	1	1	RT05912140	Resistor, 9.1kΩ ±5% ¼W
R712	1	1	1	RT05912140	Resistor, 9.1kΩ ±5% ¼W
R713	1	1	1	RT05153140	Resistor, 15kΩ ±5% ¼W
R714	1	1	1	RT05153140	Resistor, 15kΩ ±5% ¼W
R715	1	1	1	RT05224140	Resistor, 220kΩ ±5% ¼W
R716	1	1	1	RT05224140	Resistor, 220kΩ ±5% ¼W
R717	1	1	1	RT05332140	Resistor, 3.3kΩ ±5% ¼W
R718	1	1	1	RT05332140	Resistor, 3.3kΩ ±5% ¼W
R719	1	1	1	GF05330140	Resistor, 33Ω ±5% ¼W
R720	1	1	1	GF05330140	Resistor, 33Ω ±5% ¼W
R721	1	1	1	RT05333140	Resistor, 33kΩ ±5% ¼W
R722	1	1	1	RT05333140	Resistor, 33kΩ ±5% ¼W
R723	1	1	1	RT05271140	Resistor, 270Ω ±5% ¼W
R724	1	1	1	RT05271140	Resistor, 270Ω ±5% ¼W
R725	1	1	1	RT05362140	Resistor, 3.6kΩ ±5% ¼W
R726	1	1	1	RT05362140	Resistor, 3.6kΩ ±5% ¼W
R727	1	1	1	RT05302140	Resistor, 3kΩ ±5% ¼W
R728	1	1	1	RT05302140	Resistor, 3kΩ ±5% ¼W
R729	1	1	1	GF05102140	Resistor, 1kΩ ±5% ¼W
R730	1	1	1	GF05102140	Resistor, 1kΩ ±5% ¼W
R731	1	1	1	GF05122140	Resistor, 1.2kΩ ±5% ¼W
R732	1	1	1	GF05122140	Resistor, 1.2kΩ ±5% ¼W
R733	1	1	1	GF05272140	Resistor, 2.7kΩ ±5% ¼W
R734	1	1	1	GF05272140	Resistor, 2.7kΩ ±5% ¼W
R735	1	1	1	GF05111140	Resistor, 110Ω ±5% ¼W
R736	1	1	1	GF05111140	Resistor, 110Ω ±5% ¼W
R737	1	1	1	RA05020200	Trimming Resistor, 5kΩ (B)
R738	1	1	1	RA05020200	Trimming Resistor, 5kΩ (B)
R739	1	1	1	RA01010040	Trimming Resistor, 100Ω (B)
R740	1	1	1	RA01010040	Trimming Resistor, 100Ω (B)
R741	1	1	1	GF05131140	Resistor, 130Ω ±5% ¼W
R742	1	1	1	GF05131140	Resistor, 130Ω ±5% ¼W
R743	1	1	1	GF05151140	Resistor, 150Ω ±5% ¼W
R744	1	1	1	GF05151140	Resistor, 150Ω ±5% ¼W
R745	1	1	1	GF05101140	Resistor, 100Ω ±5% ¼W
R746	1	1	1	GF05101140	Resistor, 100Ω ±5% ¼W
R747	1	1	1	GF05101140	Resistor, 100Ω ±5% ¼W

REF. DESIG.	Q'TY			PART NO.	DESCRIPTION
	U	C	E		
R748	1	1	1	GF05101140	Resistor, 100Ω ±5% ¼W
R749	1	1	1	75061251P0	Jumpre
R750	1	1	1	75061251P0	Jumpre
R751	1	1	1	75061251P0	Jumpre
R752	1	1	1	75061251P0	Jumpre
R753	1	1	1	GF05121140	Resistor, 120Ω ±5% ¼W
R754	1	1	1	GF05121140	Resistor, 120Ω ±5% ¼W
R755	1	1	1	GF05121140	Resistor, 120Ω ±5% ¼W
R756	1	1	1	GF05121140	Resistor, 120Ω ±5% ¼W
R757	1	1	1	GW10472020	Resistor, 0.47Ω ±10% 2W
R758	1	1	1	GW10472020	Resistor, 0.47Ω ±10% 2W
R759	1	1	1	GW10472020	Resistor, 0.47Ω ±10% 2W
R760	1	1	1	GW10472020	Resistor, 0.47Ω ±10% 2W
R761	1	1	1	GJ05100020	Resistor, 10Ω ±5% 2W
R762	1	1	1	GJ05100020	Resistor, 10Ω ±5% 2W
R763	1	1	1	RC10022120	Resistor, 2.2Ω ±10% ½W
R764	1	1	1	RC10022120	Resistor, 2.2Ω ±10% ½W
R765	1	1	1	GF05102140	Resistor, 1kΩ ±5% ¼W
R766	1	1	1	GF05151140	Resistor, 150Ω ±5% ¼W
R767	1	1	1	RT05100140	Resistor, 10Ω ±5% ¼W
R768	1	1	1	RT05103140	Resistor, 10kΩ ±5% ¼W
R769	1	1	1	RT05684140	Resistor, 680kΩ ±5% ¼W
R770	1	1	1	RT05754140	Resistor, 750kΩ ±5% ¼W
R771	1	1	1	GJ05331020	Resistor, 330Ω ±5% 2W
R772	1	1	1	GJ05331020	Resistor, 330Ω ±5% 2W
R773	1	1	1	GU05151120	Resistor, 150Ω ±5% ½W
R774	1	1	1	GU05151120	Resistor, 150Ω ±5% ½W
R775	1	1	1	GF05220140	Resistor, 22Ω ±5% ¼W
R776	1	1	1	GS10101050	Resistor, 100Ω ±10% 5W
R777	1	1	1	RT05152140	Resistor, 1.5kΩ ±5% ¼W
R778	1	1	1	RT05152140	Resistor, 1.5kΩ ±5% ¼W
R779	1	1	1	RT05392140	Resistor, 3.9kΩ ±5% ¼W
R780	1	1	1	RT05303140	Resistor, 30kΩ ±5% ¼W
R781	1	1	1	RT05223140	Resistor, 22kΩ ±5% ¼W
R782	1	1	1	75061251P0	JUMPER
R783	1	1	1	RA05020200	Trimming Resistor, 5kΩ (B)
S701	1	1	1	SP04020200	Pushswitch, Spkr

18. TECHNICAL SPECIFICATIONS

FOR U.S.A. MODEL ONLY

AMPLIFIER SECTION

RATED POWER OUTPUT, MINIMUM CONTINUOUS AVERAGE POWER PER CHANNEL, BOTH CHANNELS DRIVEN	26W
POWER BAND	20 Hz to 20 kHz
TOTAL HARMONIC DISTORTION	0.1%
LOAD IMPEDANCE	8 OHMS
RATED POWER OUTPUT MINIMUM CONTINUOUS AVERAGE POWER PER CHANNEL, BOTH CHANNELS DRIVEN	33W
POWER BAND	20 Hz to 20 kHz
TOTAL HARMONIC DISTORTION	0.1%
LOAD IMPEDANCE	4 OHMS

I.M. Distortion

(I.H.F. method, 60 Hz and 7 kHz mixed 4:1 at rated power output)	
at 8 ohm load impedance	0.1%
at 4 ohm load impedance	0.1%
Damping Factor (at 20 Hz)	45
Sensitivity (at MAIN IN)	1.5 V
Impedance (at MAIN IN)	33k ohms
Frequency Response for Power Amp Only (at 1 Watt output, 20 Hz to 20 kHz)	±0.5 dB

PREAMPLIFIER SECTION:

Phono	
Input Overload at 1 kHz	100 mV
Equivalent Input Noise	1.5 μ V
Dynamic Range	
(Dynamic Range is the ratio of input overload to equivalent input noise)	96 dB
Input Sensitivity	1.8 mV
Input Impedance	47k ohms
Input Capacitance	100 pF
Frequency Response, RIAA 20 Hz to 20 kHz	±1.0 dB
Signal-to-Noise Ratio (at rated output and 7.75 mV input)	75 dB
High Level (Aux and Tape)	
Input Sensitivity	180 mV
Input Impedance	20k ohms
Frequency Response (includes power amp)	15 Hz to 60 kHz ±1.5 dB
Signal-to-Noise Ratio (ref. to rated output and 775 mV input)	90 dB
Output Levels	
Tape Out (ref. 7.75 mV at Phono inputs)	775 mV
Pre-Out (ref. 180 mV at Aux inputs)	1.5 V
(ref. 500 mV at Aux inputs, main amp disconnected)	4.2 V
Output Impedance	
Tape-Out	600 ohms
Pre-Out	900 ohms

FM TUNER SECTION:

Sensitivity	
IHF Usable	10.8 dBf (1.9 μ V)
IHF 50 dB Quieting (Mono)	16.1 dBf (3.2 μ V)
(Stereo)	37.3 dBf (40 μ V)
Quieting Slope (Mono)	
RF Input for 30 dB Quieting	9.3 dBf (1.6 μ V)
Quieting at:	
20 dBf (5.5 μ V)	55 dB
25 dBf (10 μ V)	60 dB
40 dBf (55 μ V)	70 dB
65 dBf (1000 μ V)	75 dB
Quieting Slope (Stereo)	
Quieting at:	
30 dBf (17 μ V)	42 dB
40 dBf (55 μ V)	53 dB

50 dBf (173 μ V)	58 dB
65 dBf (1000 μ V)	65 dB
Distortion (Mono) at 65 dBf (1000 μ V)	
100 Hz	0.25%
1000 Hz	0.15%
6000 Hz	0.35%
Distortion (Stereo) at 65 dBf (1000 μ V)	
100 Hz	0.35%
1000 Hz	0.3%
6000 Hz	0.55%
Distortion (Mono and Stereo) at 50 dB Quieting, 1000 Hz	
Hum and Noise at 65 dBf (1000 μ V)	0.6%
Mono	
Frequency Response	73 dB
30 Hz to 15 kHz	
Mono	
	+0.2 dB, -1.5 dB
Stereo	
	±1.5 dB
Capture Ratio at 65 dBf (1000 μ V)	1.0 dB
Alternate Channel Selectivity	70 dB
Spurious Response Rejection	90 dB
Image Response Rejection	60 dB
I.F. Rejection (Balanced)	90 dB
A.M. Suppression	50 dB
Stereo Separation	
100 Hz	40 dB
1000 Hz	45 dB
10 kHz	40 dB
Subcarrier Rejection	60 dB

AM TUNER SECTION:

IHF Usable Sensitivity	15 μ V
Distortion (THD), 30% Modulation	0.5%
Signal-to-Noise Ratio	50 dB
Alternate Channel Selectivity	46 dB
Image Rejection	45 dB
Spurious Response Rejection	60 dB
I.F. Rejection	40 dB

GENERAL:

Power Requirements	120 VAC, 60 Hz
Power Consumption at rated output, both channels operating	132 W
Idling Power (Volume Control at zero)	27 W
Dimensions:	
Panel Width	440 mm (17-5/16 inches)
Panel Height	137 mm (5-3/8 inches)
Depth	362 mm (14-1/2 inches)
Weight:	
Unit alone	11.5 kg (25.3 lbs)
Packed for Shipment	13.0 kg (28.6 lbs)

FOR EUROPEAN MODEL ONLY

AUDIO SECTION

POWER OUTPUT AT 1% DISTORTION	53 W
RATED POWER OUTPUT, 1 kHz	37 W
TOTAL HARMONIC DISTORTION AT RATED POWER OUTPUT, 1 kHz	0.1%
I.M. DISTORTION AT RATED POWER OUTPUT (I.H.F. METHOD, 300 Hz AND 10 kHz MIXED 4:1 AT RATED POWER OUTPUT)	0.1%
POWER BANDWIDTH, 1/2 RATED POWER OUTPUT	8 Hz ~ 30 kHz
LOAD IMPEDANCE	4 OHMS
POWER OUTPUT AT 1% DISTORTION	44 W
RATED POWER OUTPUT, 1 kHz	29 W
TOTAL HARMONIC DISTORTION AT RATED POWER OUTPUT, 1 kHz	0.1%
I.M. DISTORTION AT RATED POWER OUTPUT (I.H.F. METHOD, 300 Hz AND 10 kHz MIXED 4:1 AT RATED POWER OUTPUT)	0.1%
POWER BANDWIDTH, 1/2 RATED POWER OUTPUT	8 Hz ~ 30 kHz
LOAD IMPEDANCE	8 OHMS

Damping Factor, SP Output	
40 Hz	45
1 kHz	45
12.5 kHz	35
Frequency Response	
Phono ±2 dB	18 Hz ~ 30 kHz
Aux ±1.5 dB	10 Hz ~ 40 kHz
Main In ±1.5 dB	10 Hz ~ 40 kHz
Signal-to-Noise Ratio, 1 kHz	
Phono	50 dB
Aux	50 dB
Main In	55 dB
Input Sensitivity, 1 kHz (Rated Input Voltage)	
Phono	1.8 mV
Aux	180 mV
Main In	1.5 V
Input Impedance, 1 kHz	
Phono	47k ohms
Aux	20k ohms
Main In	33k ohms
Phono Equivalent Input Noise	1.7 µV
Phono Dynamic Range	92 dB
Phono Input Capacitance	100 pF
Channel Balance	
Phono 0 ~ -40 dB	2.5 dB
Aux 40 ~ 16 kHz	2.0 dB
Main In	1.0 dB
Interchannel Crosstalk	
Phono 1 kHz	35 dB
250 Hz ~ 10 kHz	30 dB
Aux 1 kHz	43 dB
250 Hz ~ 10 kHz	30 dB
Tape 1 kHz	43 dB
250 Hz ~ 10 kHz	30 dB
Main In 1 kHz	55 dB
250 Hz ~ 10 kHz	50 dB
Intersource Crosstalk, Worst Point	
1 kHz	43 dB
250 Hz ~ 10 kHz	30 dB
Output Voltage, 1 kHz	
Tape Out	0.18 V
Pre Out	1.5 V
Output Impedance, 1 kHz	
Tape Out	50 ohms
Pre Out	600 ohms
Overload Margin, 1 kHz	
Phono	33 dB
Aux	50 dB
Power Consumption	
Idling	25 W
Rated Power, 1 kHz	135 W
FM TUNER SECTION:	
Frequency Range	87.5 ~ 108 MHz
Usable Sensitivity 40 kHz Deviation, 98 MHz	
Mono S/N 26 dB	1.6 µV
Stereo S/N 46 dB	47 µV
Alternate Channel Selectivity 98 MHz, ±300 kHz	50 dB
Image Response Rejection, 98 MHz	60 dB

IF Rejection, 98 MHz	80 dB
Spurious Response Rejection, 98 MHz	80 dB
AM Suppression, 98 MHz	50 dB
Signal-to-Noise Ratio at 98 MHz	
Un-weighted Mono	65 dB
Stereo	58 dB
Weight Mono	68 dB
Stereo	62 dB
Pilot Signal & Subcarrier Rejection	
19 kHz	60 dB
38 kHz	65 dB
Total Harmonic Distortion at 98 MHz	
Mono	0.2%
Stereo	0.4%
Frequency Response	
30 Hz ~ 15 kHz	+0.2 dB, -2.0 dB
Separation	
250 ~ 6.3 kHz	40 dB
6.3 kHz ~ 12.5 kHz	35 dB
Channel Balance	0.5 dB
Output Voltage, 1 kHz	565 mV
Output Impedance, 1 kHz	2.3k ohms
Acceptable Load Impedance, 1 kHz	47k ohms
Antenna Terminals	
Balanced	300 ohms
Unbalanced	75 ohms

AM TUNER SECTION:

Frequency Range	515 ~ 1650 kHz
Usable Sensitivity 26 dB S/N 30% Mod., 1 MHz	25 µV
Selectivity 1 MHz, ±9 kHz	20 dB
Image Rejection, 1 MHz	18 dB
IF Rejection, 1 MHz	3 dB
Spurious Response Rejection, 1 MHz	60 dB
Signal-to-Noise Ratio, 1 MHz	52 dB
Frequency Response 1 MHz, ±3 dB	40 Hz ~ 2.3 kHz
Total Harmonic Distortion, 1 MHz	0.5%

GENERAL:

Power Requirements	220V ~ 50 Hz
(E and N versions are featuring an external voltage selector for use on 110/120/240V.	
Other versions can be converted by a qualified technician to operate on 110/120/240V.)	
Power Consumption at Rated Output,	
Both Channels Operating	132W ± 15 W
Idling Power	27W ± 7 W
Semiconductor Complement	
Integrated Circuits	3
Transistors	46
Diodes	30
Field Effect Transistors	1
Dimensions	
Panel Width	440 mm (17-5/16 inches)
Panel Height	137 mm (5-25/64 inches)
Depth	365 mm (14-3/8 inches)
Weight	
Unit Alone	11.5 kg (25.3 lbs)
Packed for Shipment	13.0 kg (28.6 lbs)





marantz

MARANTZ CO., INC. · P. O. BOX 577 · CHATSWORTH, CALIFORNIA · 91311



A WHOLLY-OWNED SUBSIDIARY OF SUPERSCOPE INC., CHATSWORTH, CALIFORNIA · 91311