

SERVICE MANUAL



marantz

model 2252B

Stereophonic Receiver

TABLE OF CONTENTS

SECTION	PAGE
1. INTRODUCTION	1
2. SERVICE NOTES	1
3. TEST EQUIPMENT REQUIRED FOR SERVICING	2
4. AM ALIGNMENT PROCEDURE	2
5. FM ALIGNMENT PROCEDURE	3
6. POWER AMPLIFIER ADJUSTMENT	3
7. POWER SUPPLY ADJUSTMENT	3
8. VOLTAGE CONVERSION FOR EUROPEAN MODEL	4
9. FTZ REGULATION FOR EUROPE	4
10. MAJOR COMPONENT LOCATIONS	5
10.1 Front Panel Adjustment and Component Locations	5
10.2 Main Chassis Component Locations (Top View)	5
10.3 Rear Panel Adjustment and Component Locations	6
10.4 Main Chassis Component Locations (Bottom View)	6
11. DIAGRAM AND COMPONENT LOCATIONS	7
11.1 FM & AM Tuner Assembly (P200) Schematic Diagram and Component Locations	7
11.2 Main Amp. & Power Supply Assembly (P700) Schematic Diagram and Component Locations	9
11.3 Pushswitch Assembly (PS01) Schematic Diagram and Component Locations	13
11.4 Tone Amp. Assembly (PE01) Schematic Diagram and Component Locations	15
11.5 FM Front End Assembly (P100) Schematic Diagram and Component Locations	17
11.6 Dial Lamp Assembly (PZ01) Schematic Diagram and Component Locations	17
11.7 Function Lamp Assembly (PY01) Schematic Diagram and Component Locations	18
11.8 DLB-1 Socket Assembly (PK01) Schematic Diagram and Component Locations	18
11.9 EQ Amp. Assembly (P400) Schematic Diagram and Component Locations	19
12. BLOCK DIAGRAM	20
13. CONNECTION DIAGRAMS	21
13.1 For U.S.A. & Canadian Models	21
13.2 For European Model	23
14. SCHEMATIC DIAGRAMS	25
14.1 For U.S.A. & Canadian Models	25
14.2 For European Model	27
15. EXPLODED MECHANICAL DIAGRAMS	29
15.1 Cabinet	29
15.2 Chassis	31
15.3 Rear Panel for U.S.A. & Canadian Models	33
15.4 Rear Panel for European Model	33
16. PACKING MATERIAL EXPLODED VIEW	34
17. PARTS LIST	35
18. TECHNICAL SPECIFICATIONS	44

1. INTRODUCTION

This service manual was prepared for use by Authorized Warranty Stations and contains service information for Marantz Model 2252B Stereophonic Receiver.

Servicing information and voltage data included in this manual are intended for use by the knowledgeable and experienced technician only. All instructions should be read carefully. No attempt should be made to proceed without a good understanding of the operations in the receiver.

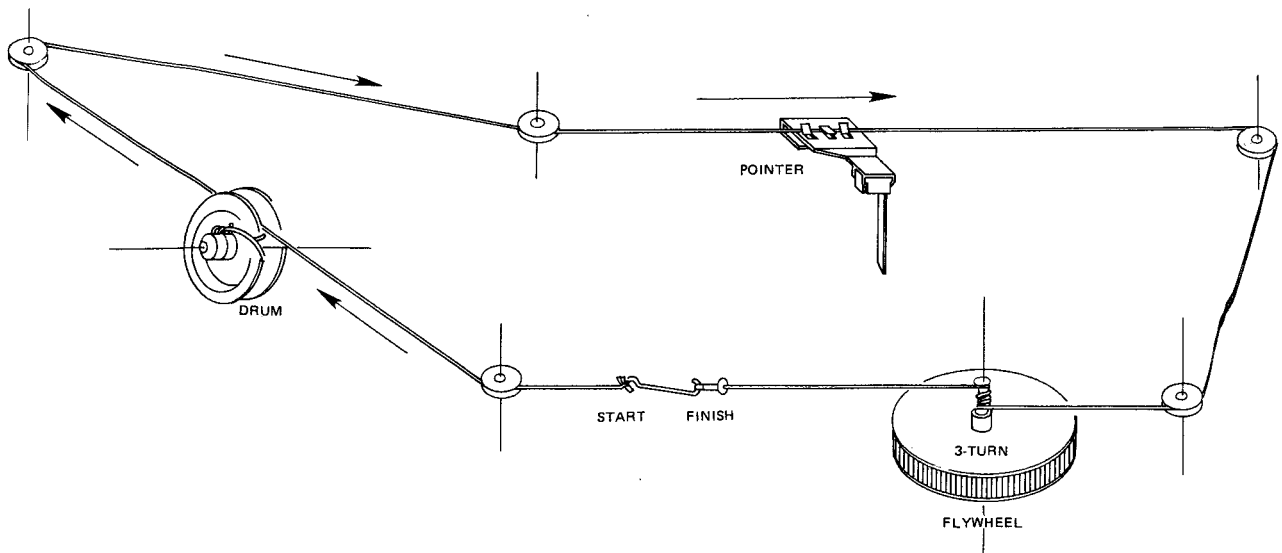
The parts list furnishes information by which replacement parts may be ordered from the Marantz Company. A simple description is included for parts which can usually be obtained through local suppliers.

2. SERVICE NOTES

As can be seen from the circuit diagram, the chassis of Model 2252B consists of the following units. Each unit mounted on a printed circuit board is described within the square enclosed by a bold dotted line on the circuit diagram.

1. FM Front End mounted on P.W.B. P 100
2. FM and AM Tuner mounted on P.W.B. P 200
3. EQ Amplifier mounted on P.W.B. P 400
4. Tone Amplifier mounted on P.W.B. PE01
5. Pushswitch Assy. mounted on P.W.B. PS01
6. Power Amplifier and Power Supply mounted on P.W.B. P 700
7. Dial Lamp Unit mounted on P.W.B. PZ01
8. Function Lamp mounted on P.W.B. PY01
9. DLB-1 Socket mounted on P.W.B. PK01

Figure 1. Dial Stringing



3. TEST EQUIPMENT REQUIRED FOR SERVICING

Table 1 lists the test equipment required for servicing the Model 2252B Receiver.

Item	Manufacturer and Model No.	Use
AM Signal Generator		Signal source for AM alignment
Test Loop		Use with AM Signal Generator
FM Signal Generator MPX Signal Generator	Sound Technology Model 1000A	Signal source for FM alignment Stereo separation alignment and trouble shooting
Distortion Analyzer		Distortion measurements
Audio Oscillator AC VTVM	Sound Technology Model 1700A	Sinewave and squarewave signal source voltage measurements (AC)
Oscilloscope	Tektronix Model T932 Philips Model 3232	Waveform analysis and trouble shooting and ASO alignment
Frequency Counter	Fluke Model 1900A	MPX Oscillator adjustment (VCO)
Circuit Tester		Trouble shooting
DC VTVM	Fluke Model 8000 "Digital" Simpson Model 313, Triplet Model 801	Voltage measurements (DC)
AC Wattmeter	Simpson Model 1379	Monitors primary power to amplifier
AC Ammeter	Commercial Grade (1~10A)	Monitors amplifier output under short circuit condition
Line Voltmeter	Simpson Model 1359	Monitors potential of primary power to amplifier
Variable Autotransformer	Superior Electronic Co., Powerstat Model 116B-10A	Adjusts level of primary power to amplifier
Shorting Plug	Use phono plug with 600 ohm across center pin and shell	Shorts amplifier input to eliminate noise pickup
Output Load (8 ohms, $\pm 0.5\%$, 100W)	Commercial Grade	Provides 8-ohm load for amplifier output termination
Output Load (4 ohms, $\pm 0.5\%$, 100W)	Commercial Grade	Provides 4-ohm load for amplifier output termination

4. AM ALIGNMENT PROCEDURE

4.1 AM IF ALIGNMENT

1. Connect a sweep generator to the L153 and an alignment scope to the J233.
2. Rotate each core of IF transformers L155 and L156 for the maximum height and flat top symmetrical response.

4.2 AM FREQUENCY RANGE AND TRACKING ALIGNMENT

1. Set AM signal generator to 515 kHz. Turn the tuning capacitor fully closed (place the tuning pointer at the low end) and adjust the oscillator coil L154 for maximum audio output.
2. Set the signal generator to 1650 kHz. Place the tuning pointer in the high frequency end and adjust the oscillator trimmer on the oscillator tuning capacitor for maximum audio output.

3. Repeat steps 1 and 2 until no further adjustment is necessary.
4. Set the generator to 600 kHz, tune the receiver to the same frequency and adjust a slug core of AM ferrite-rod antenna L001 for maximum output.
5. Set the generator to 1400 kHz and tune the receiver to the same frequency and adjust the trimming capacitor on the antenna tuning capacitor for maximum output.
6. Repeat procedures 4 and 5 until no further adjustment is necessary.

NOTE

During tracking alignment reduce the signal generator output as necessary to avoid AGC action.

5. FM ALIGNMENT PROCEDURE

5.1 FM FREQUENCY RANGE AND TRACKING ALIGNMENT

1. Connect an FM signal generator to the FM antenna terminals and oscilloscope and an audio distortion analyzer to the TAPE OUT jacks on the rear panel.
2. Set the generator to 87.4 MHz and provide about 3 to 5 μV . Place the tuning pointer at the low frequency end by rotating the tuning knob and adjust the pitch of oscillator coil L107 to obtain maximum audio output.
3. Set the generator to 109 MHz and provide about 3 to 5 μV . Rotate the tuning knob and place the tuning pointer at the high frequency end and adjust the trimming capacitor C121 for maximum output.
4. Repeat steps 2 and 3 until no further adjustment is necessary.
5. Set the generator to 90 MHz and tune the receiver to the same frequency. Decrease signal generator output until the audio output level decreases with the decreasing generator output. Adjust the pitch of antenna coil L102 and RF coil L104 for maximum output.
6. Set the generator to 106 MHz and tune the receiver to the same frequency. Decrease the signal generator output until the audio output level decreases with the decreasing generator output. Adjust the trimming capacitors of antenna and RF tuning circuits for maximum output.
7. Repeat steps 5 and 6 until no further adjustment is necessary.
8. Adjust the primary core (lower core) of discriminator transformer L202 so that the center tuning meter pointer indicates its center at no signal applied. Set the FM signal generator to 98 MHz and increase its output level 1 $\text{k}\mu\text{V}$ and tune the receiver to the same frequency so that the center tuning meter pointer indicates its center. Adjust the secondary core (upper core) of L202 for minimum distortion.

5.2 STEREO SEPARATION ALIGNMENT

1. Set the FM signal generator to provide 1 $\text{k}\mu\text{V}$ at 98 MHz. Tune the receiver to the same frequency so that the center tuning meter pointer indicates its center. Then turn off the modulation of the generator, connect a frequency counter to test point J229 and adjust R301 so that the frequency counter may precisely read 76 kHz.
2. Modulate the generator with stereo composite signal consisting of only L or R channel (of course a pilot signal must be included).
3. Adjust the trimming resistor R317 for maximum and same separation in both channels.

5.3 MUTING THRESHOLD ADJUSTMENT

1. Set the FM signal generator output to provide 12.5 μV (IHF) at 98 MHz and tune receiver to the same frequency. Adjust the trimming resistor R212 for the threshold level of 12.5 μV . (During this adjustment turn the FM MUTING pushswitch "on".)

5.4 FM DOLBY LEVEL ADJUSTMENT

1. Set the FM signal generator to provide a 400 Hz, 50% modulated 98 MHz mono signal, at 1 $\text{k}\mu\text{V}$ output. Precisely tune the receiver to 98 MHz.
2. Depress the FM 25 μS pushswitch, and adjust R215 until the outputs of both channels are 580 mV.

6. POWER AMPLIFIER ADJUSTMENT

Connect a VTVM between R763(+) and R765(-) and adjust the trimming resistor R731 until the VTVM reads 24 mV DC. And next, connect a VTVM between J717 and J714(GROUND) and adjust the trimming resistor R711 until the VTVM reads 0 mV DC. Do over again. For the other channel, connect the VTVM between R764(+) and R766(-) and adjust the R732 for the same reading, and connect the VTVM between J718 and J714 and adjust the R712 for the same reading. Do over again. When adjusting a DC offset voltage, the switch of the SPEAKER SYSTEM-1 must be turned on.

7. POWER SUPPLY ADJUSTMENT

Connect a VTVM between J722(+) and J728(-) and adjust R787 until the VTVM reads 35.0 V under no signal condition.

● EUROPEAN MODEL ONLY

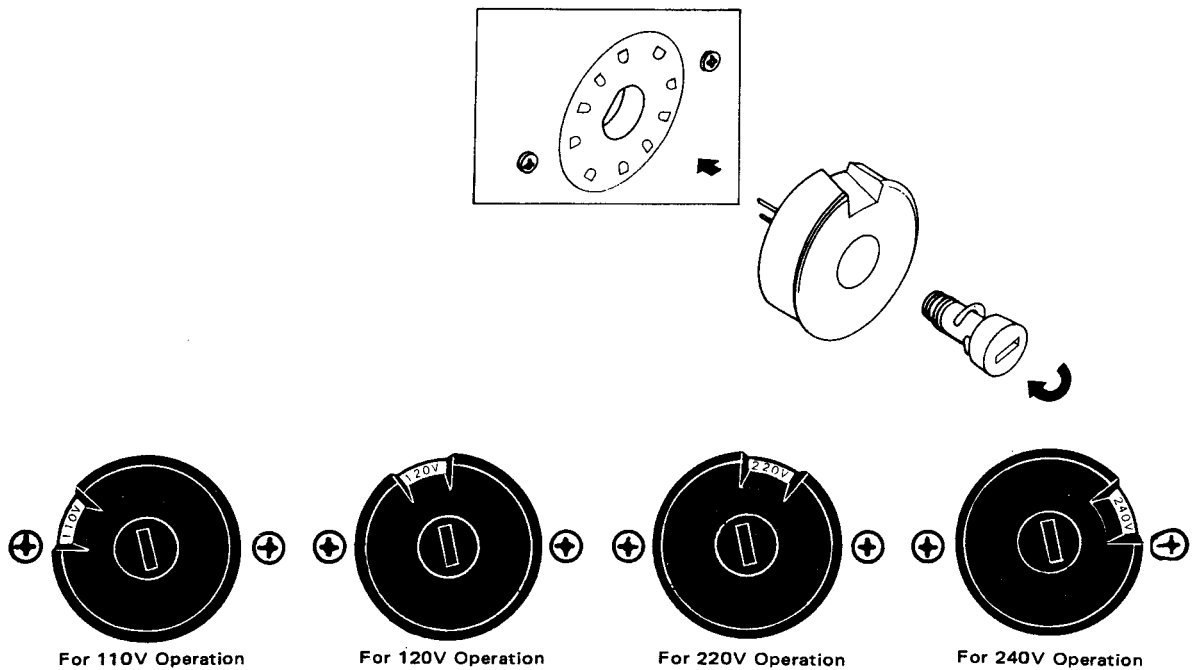
8. VOLTAGE CONVERSION

The European version of the Model 2252B is equipped with universal power transformer that may be adjusted to operate at 110 V, 120 V, 220 V or 240 V AC at 50 to 60 Hz. To convert the unit to a different power source voltage, reposition conversion plug as shown in Figure 2.

CAUTION

DISCONNECT POWER SUPPLY CORD FROM AC OUTLET BEFORE CONVERTING VOLTAGE.

Figure 2. Voltage Conversion Chart



9. FTZ REGULATION

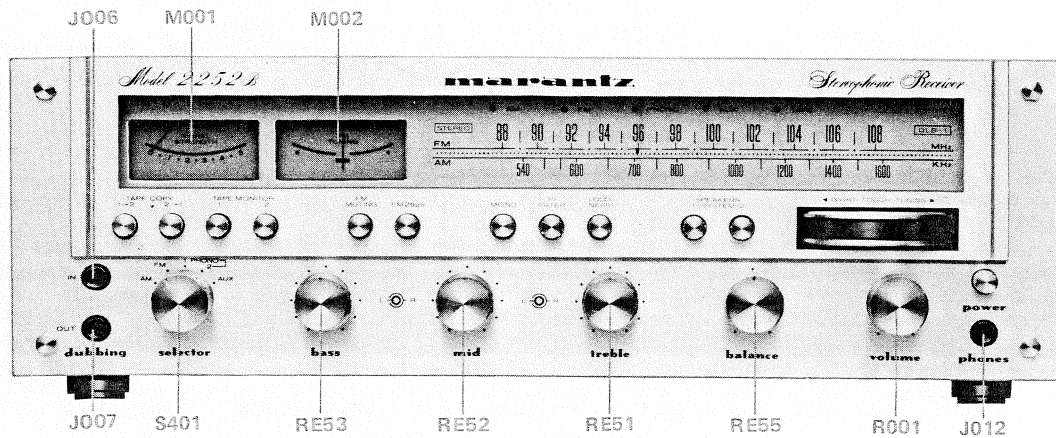
**Instruction for the use
in the range other than specified in FTZ codes**

**Achtung für die Leute, die in dem Gebiet wohnen,
wo die FTZ-Bestimmungen vorherrschend sind.**

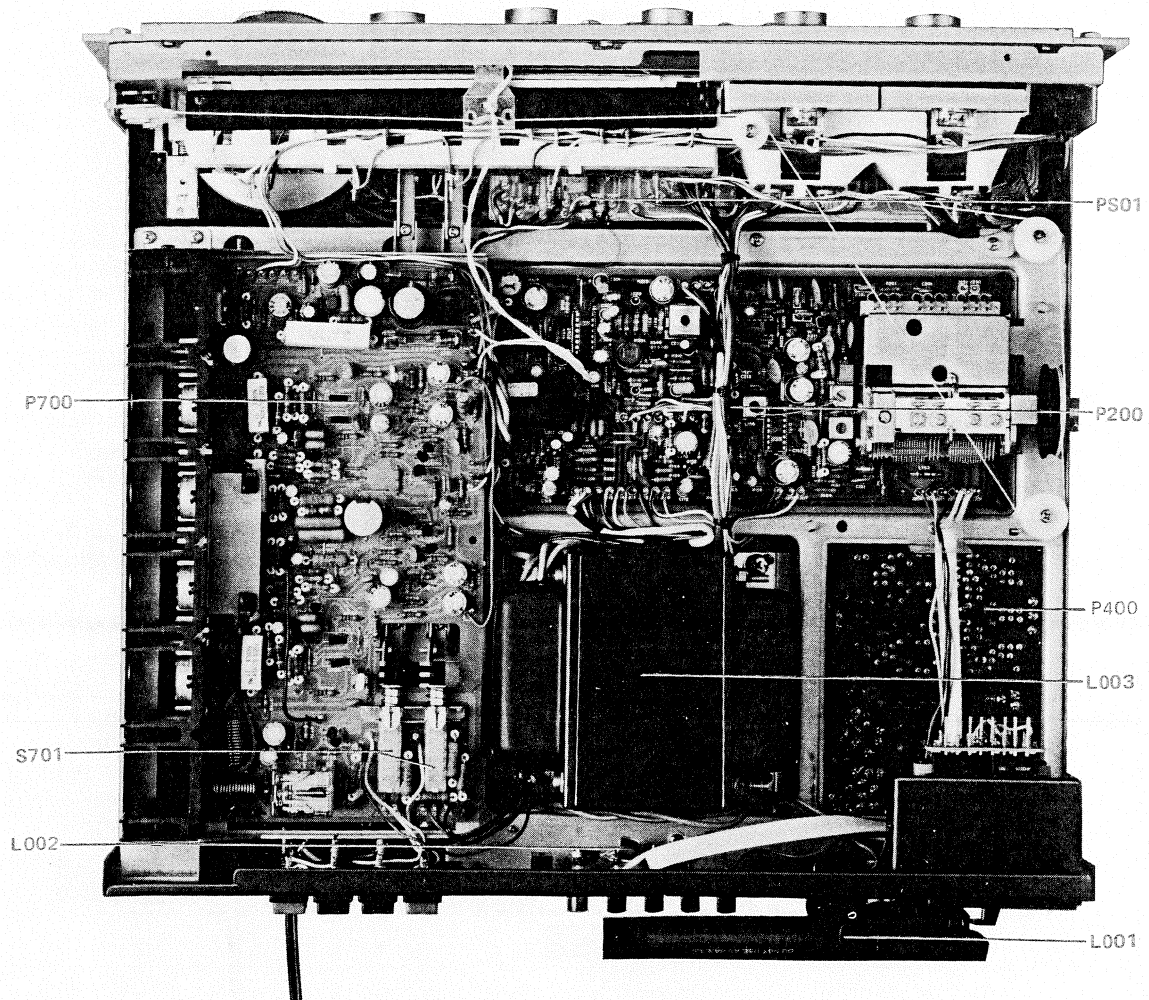
Sollte das Gerät auch für Frequenzen außerhalb des in den FTZ-Bestimmungen angegebenen Bereiches empfangsbereit sein, bitten wir, den Bereich durch Nachstellen des Kernes in der Oszillatorspule (in der Abbildung mit „FTZ“ gekennzeichnet) so zu korrigieren, daß er den Bestimmungen entspricht.

10. MAJOR COMPONENT LOCATIONS

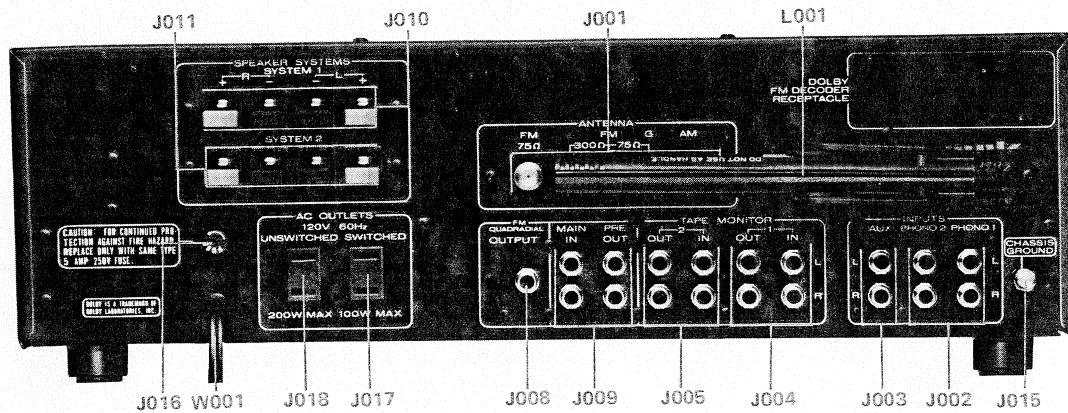
10.1 Front Panel Adjustment and Component Locations



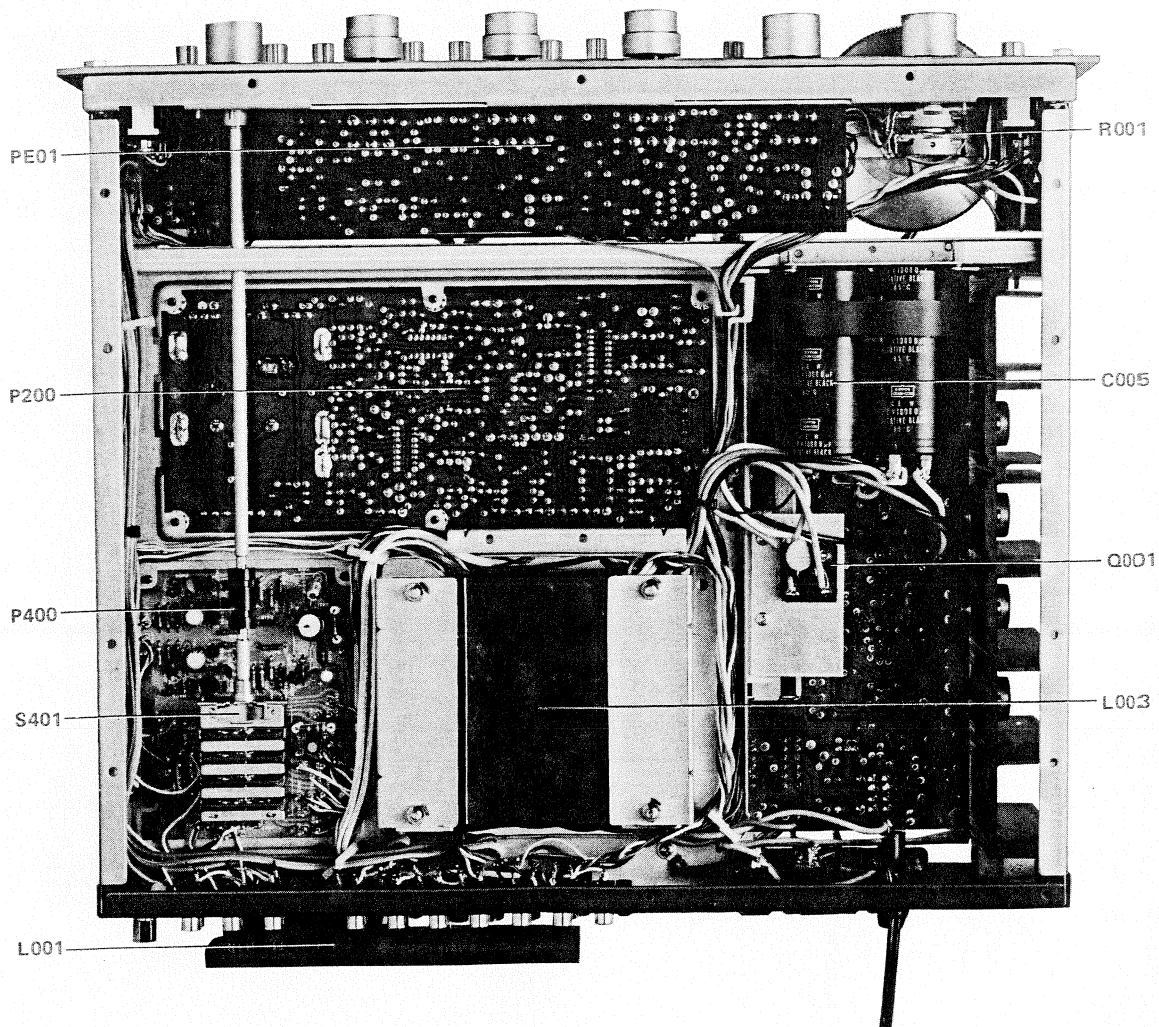
10.2 Main Chassis Component Locations (Top View)



10.3 Rear Panel Adjustment and Component Locations

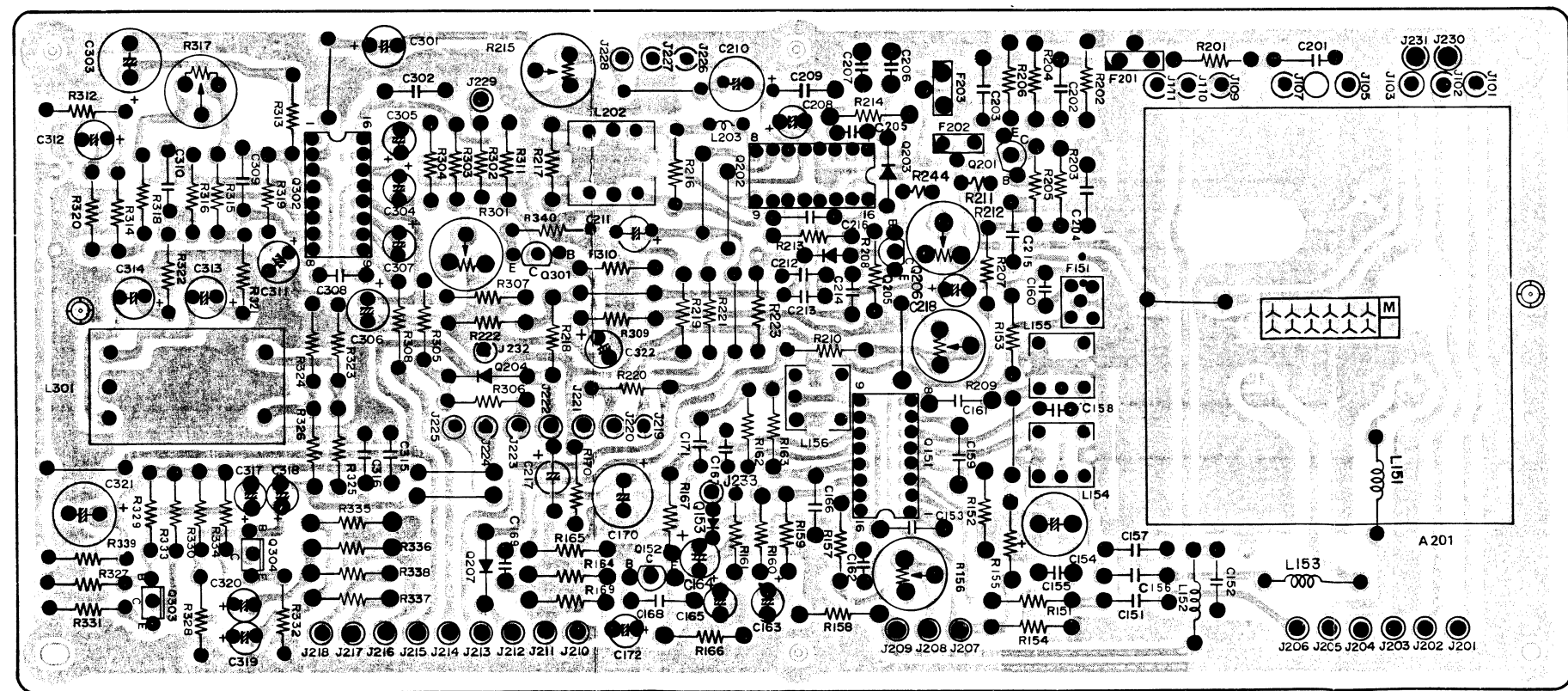
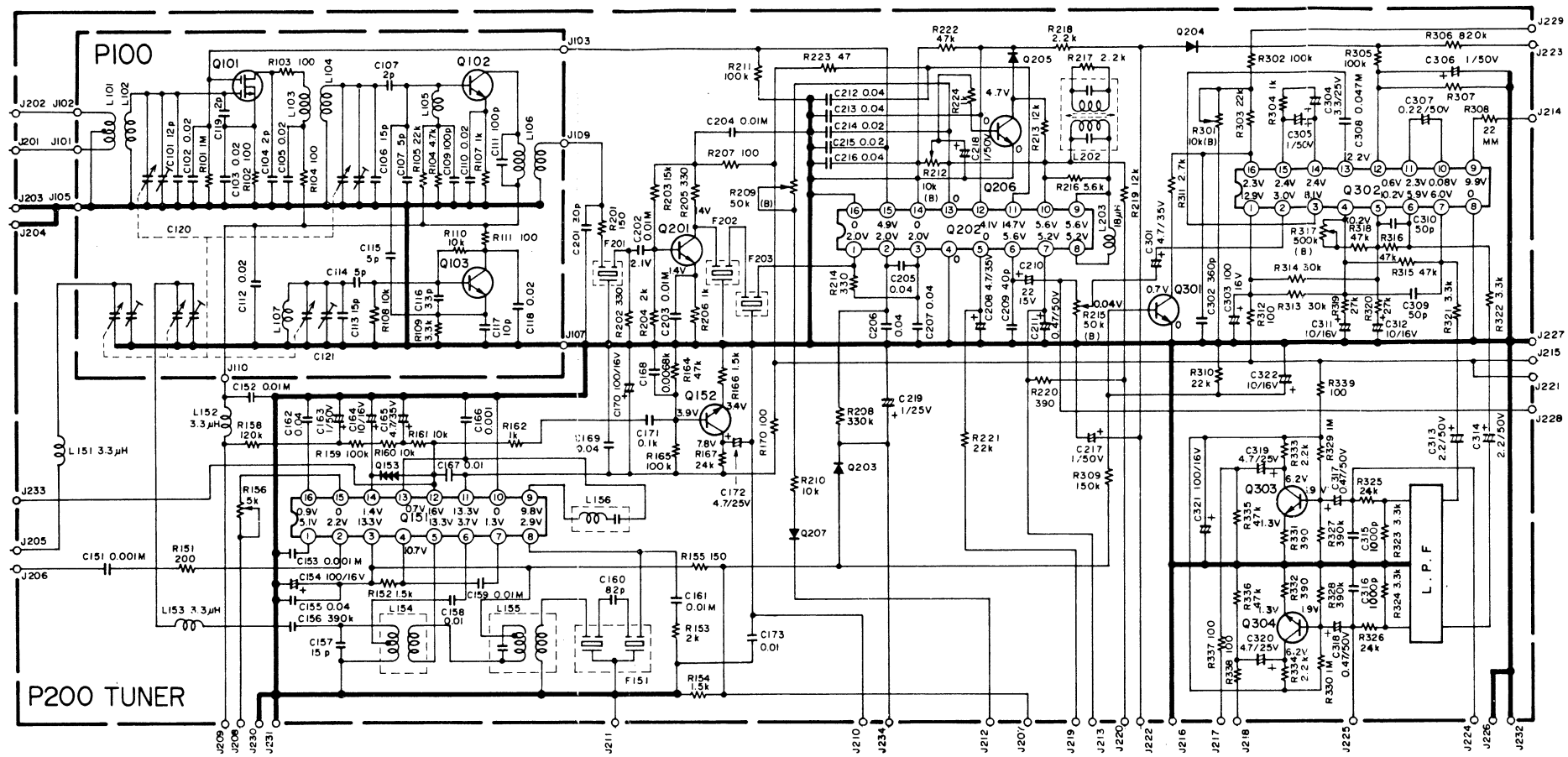


10.4 Main Chassis Component Locations (Bottom View)

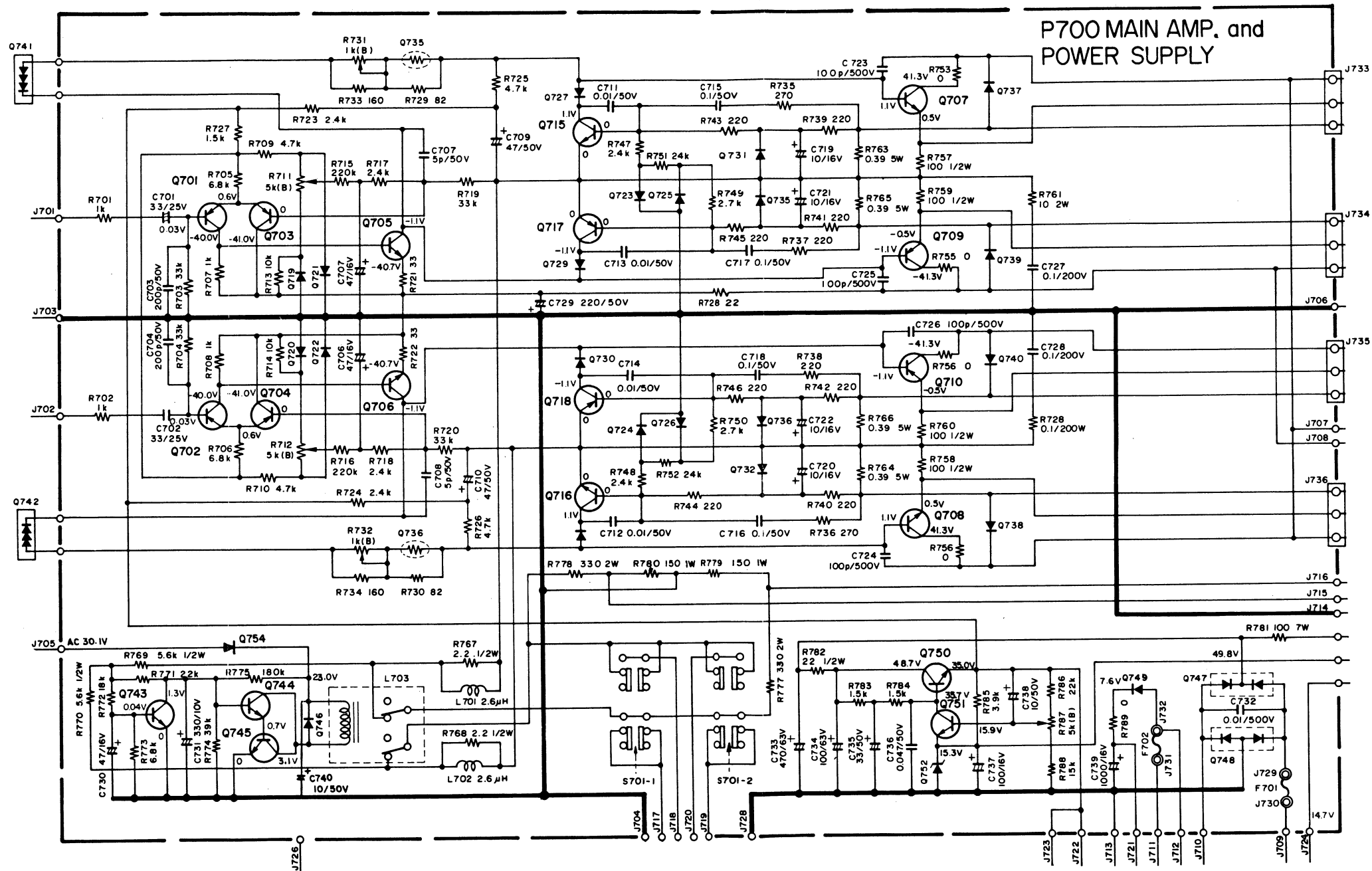


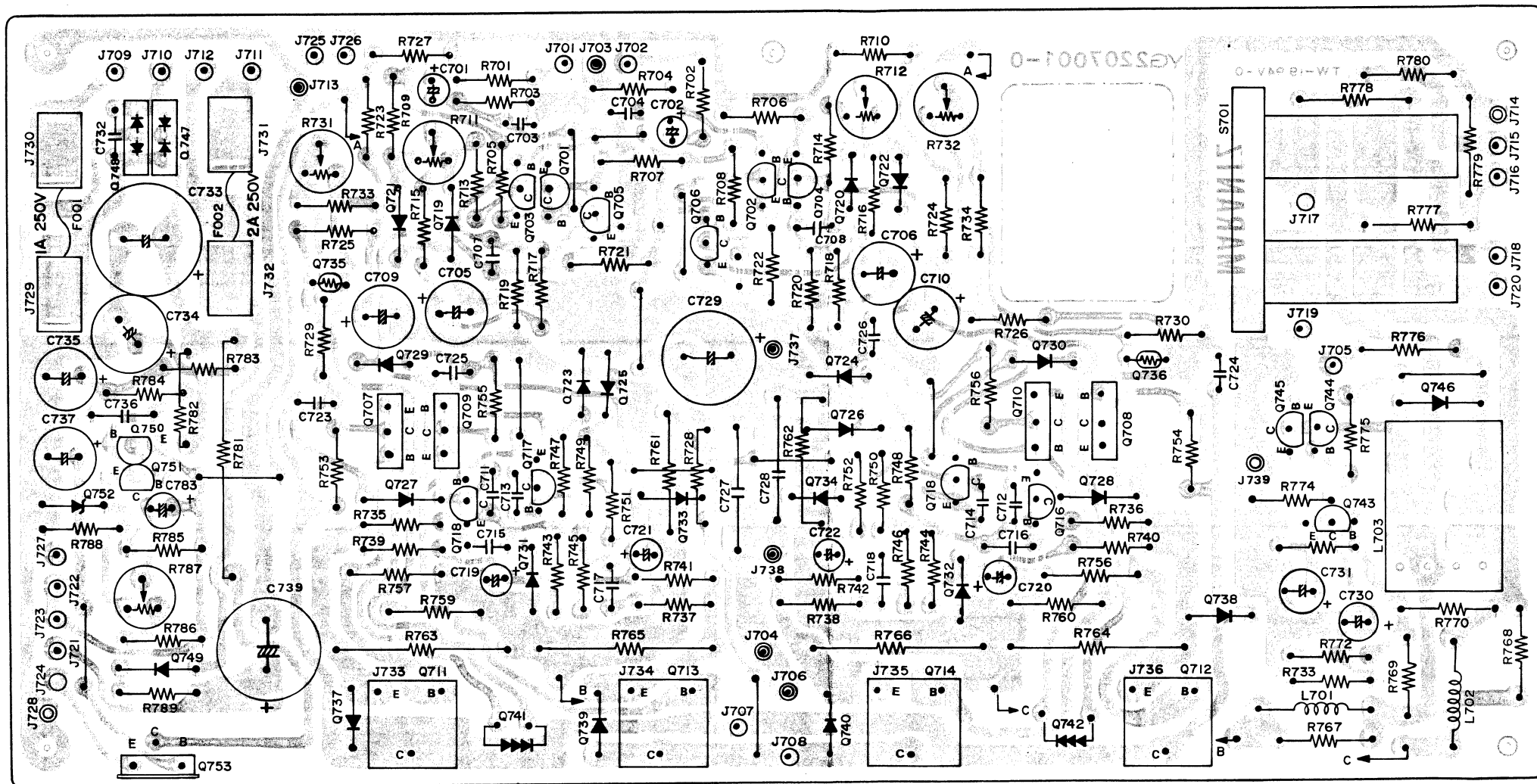
11. DIAGRAM AND COMPONENT LOCATIONS

11.1 FM & AM Tuner Assembly (P200) Schematic Diagram and Component Locations

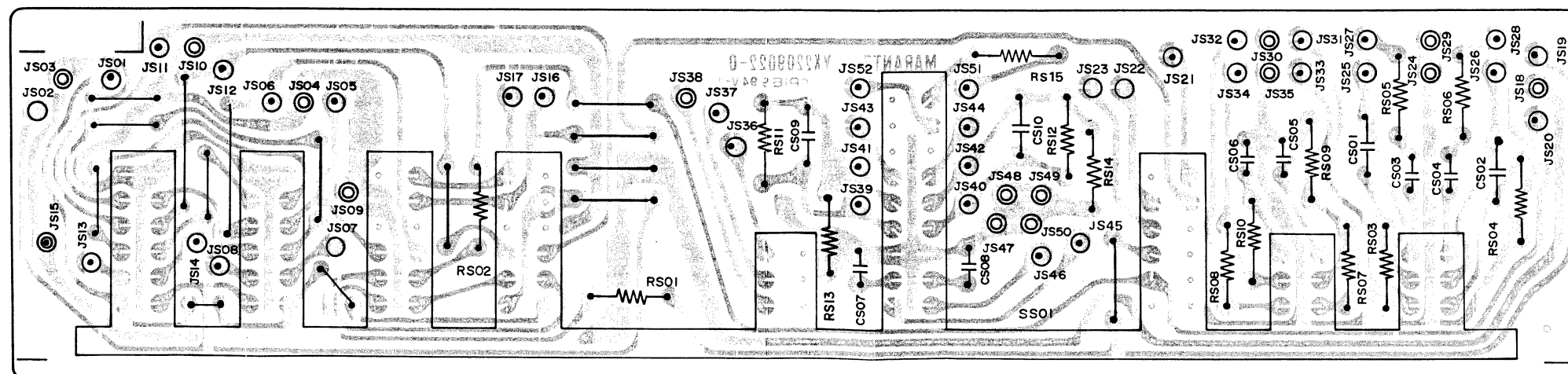
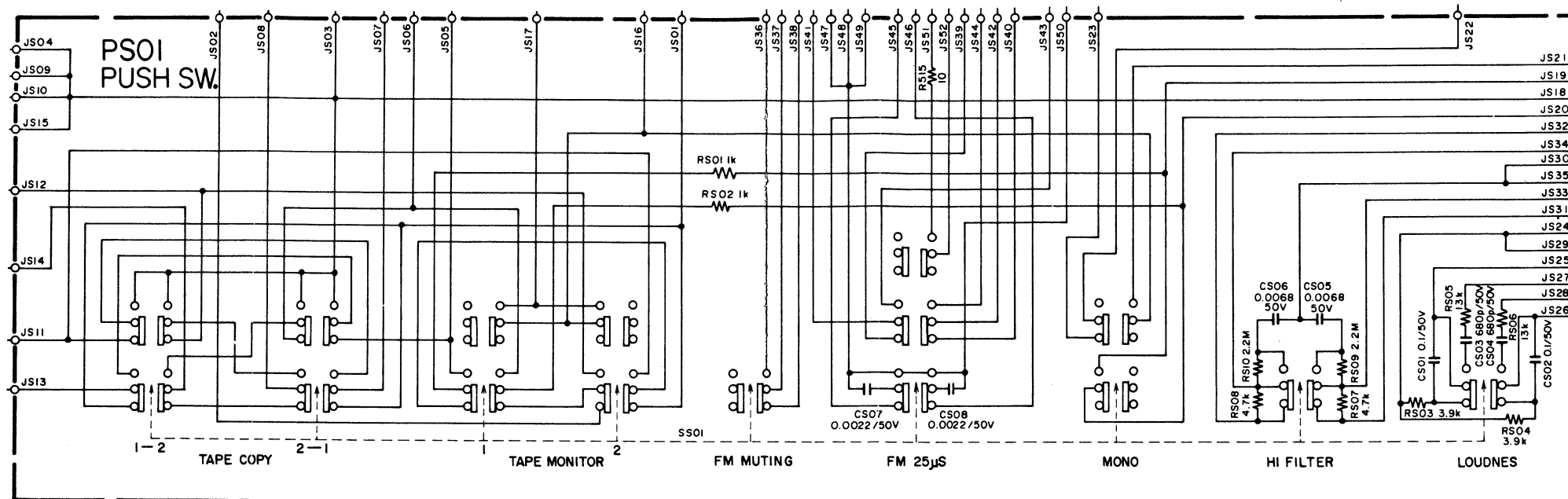


11.2 Main Amp. & Power Supply Assembly (P700) Schematic Diagram and Component Locations

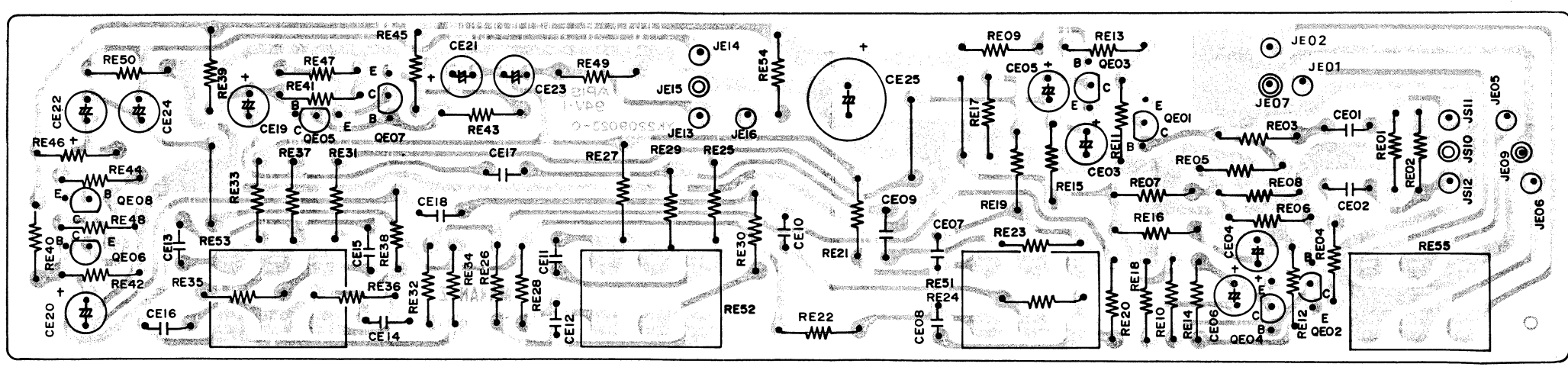
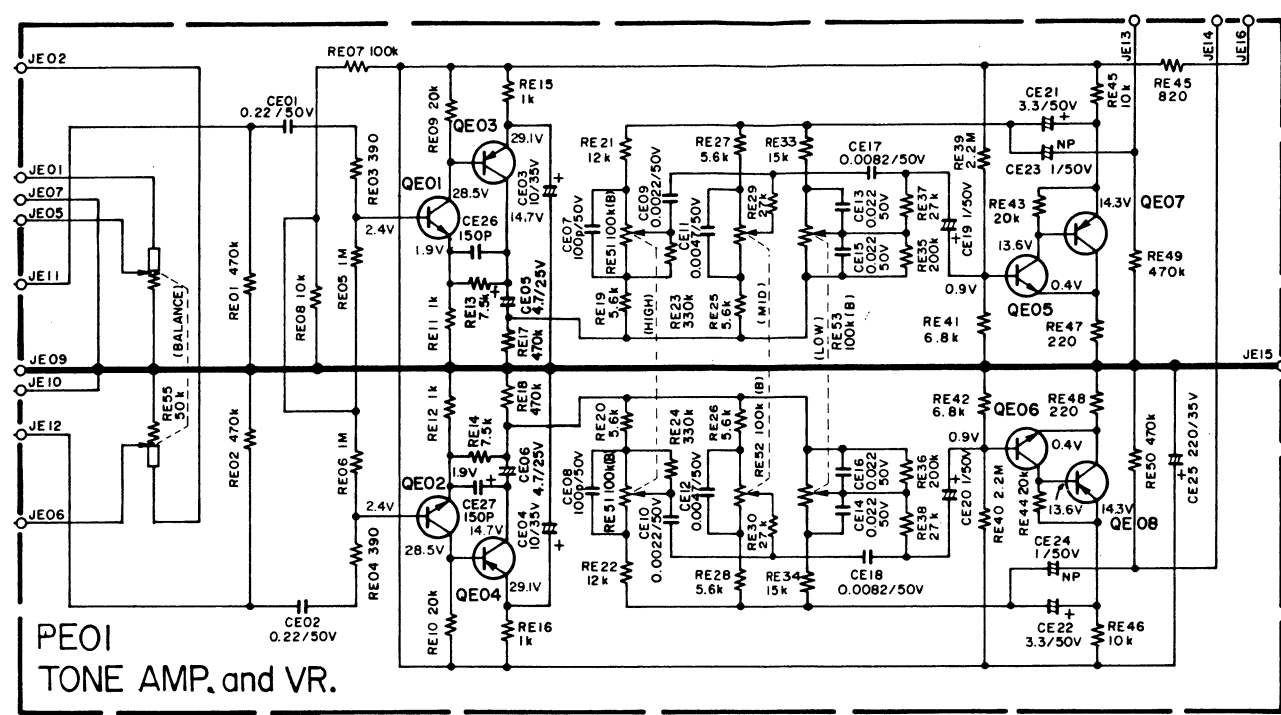




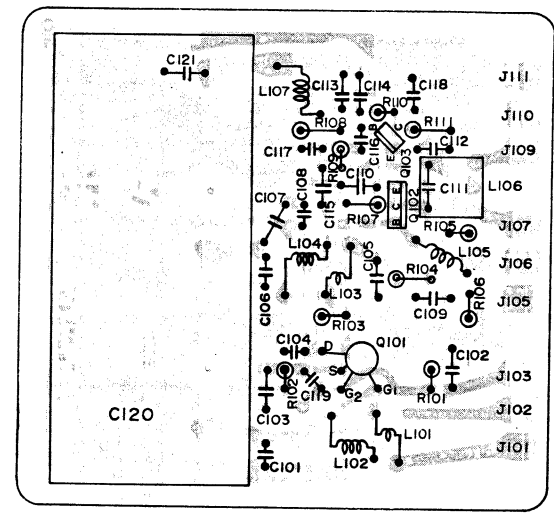
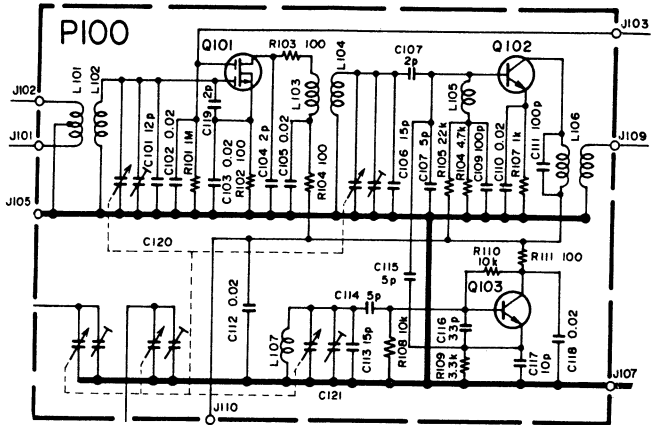
11.3 Pushswitch Assembly (PS01) Schematic Diagram and Component Locations



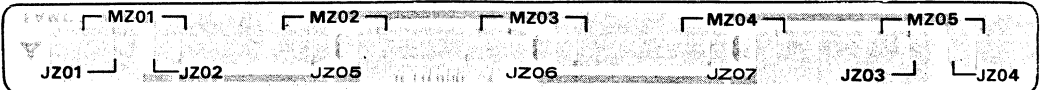
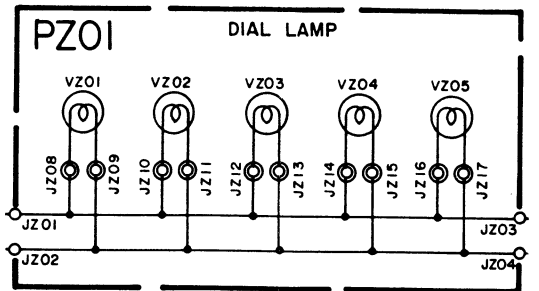
11.4 Tone Amp. Assembly (PE01) Schematic Diagram and Component Locations



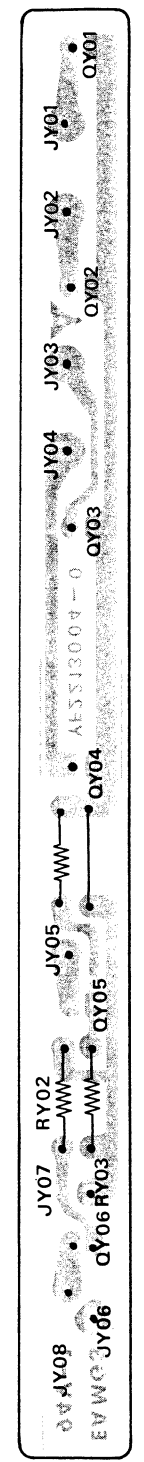
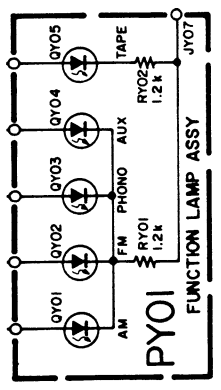
11.5 FM Front End Assembly (P100) Schematic Diagram and Component Locations



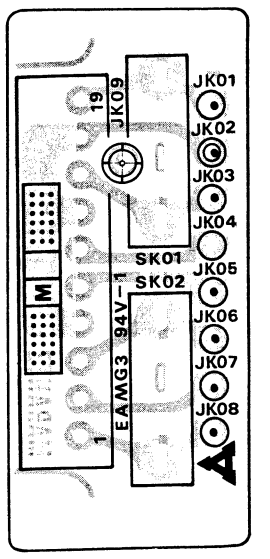
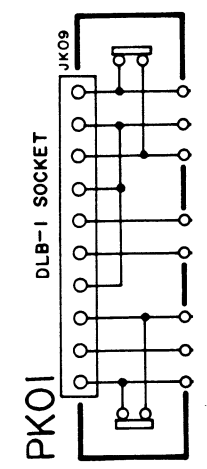
11.6 Dial Lamp Assembly (PZ01) Schematic Diagram and Component Locations



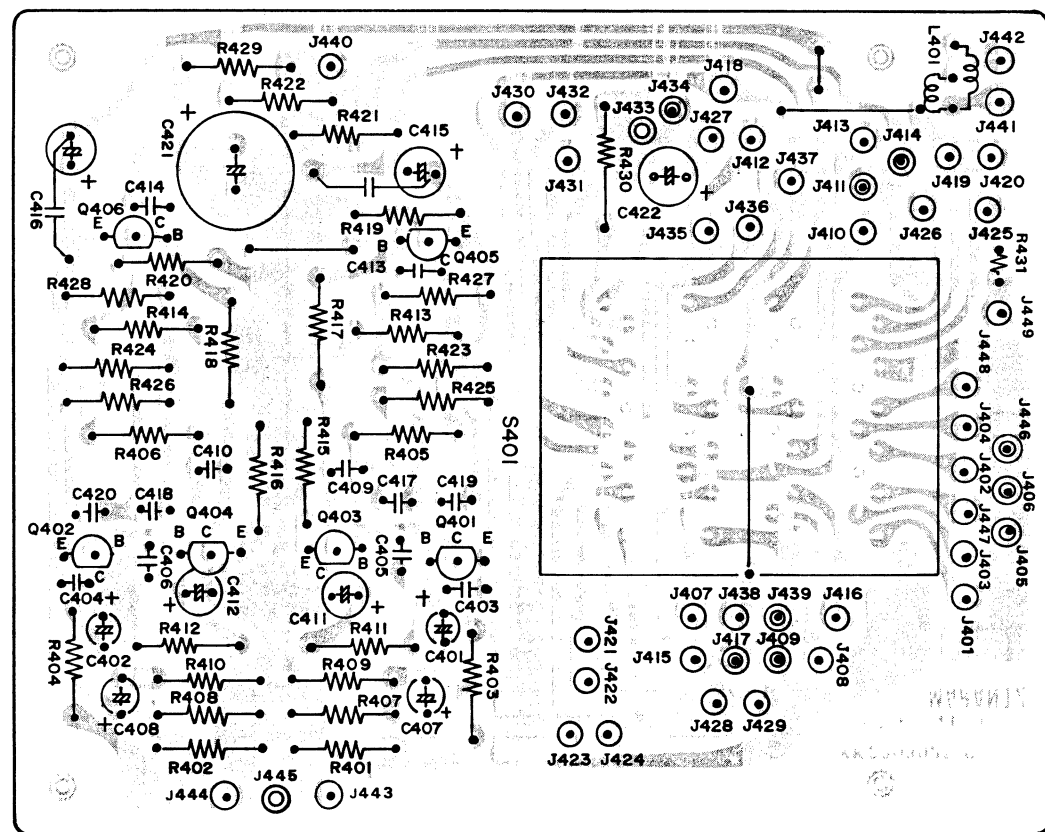
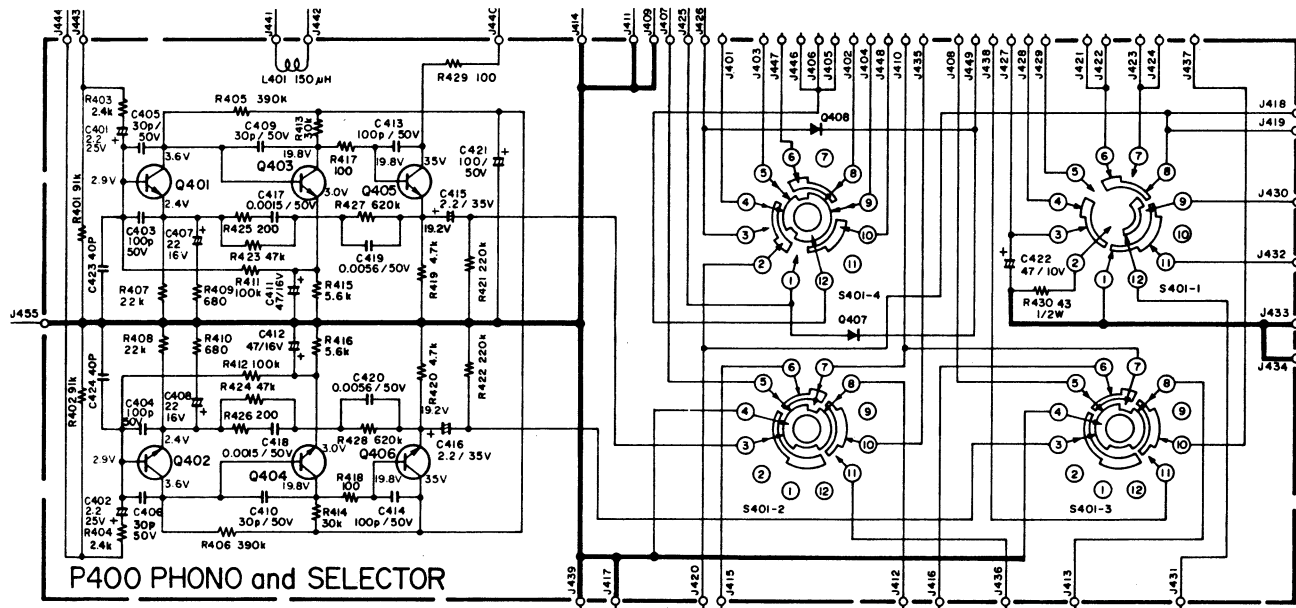
11.7 Function Lamp Assembly (PY01) Schematic Diagram and Component Locations



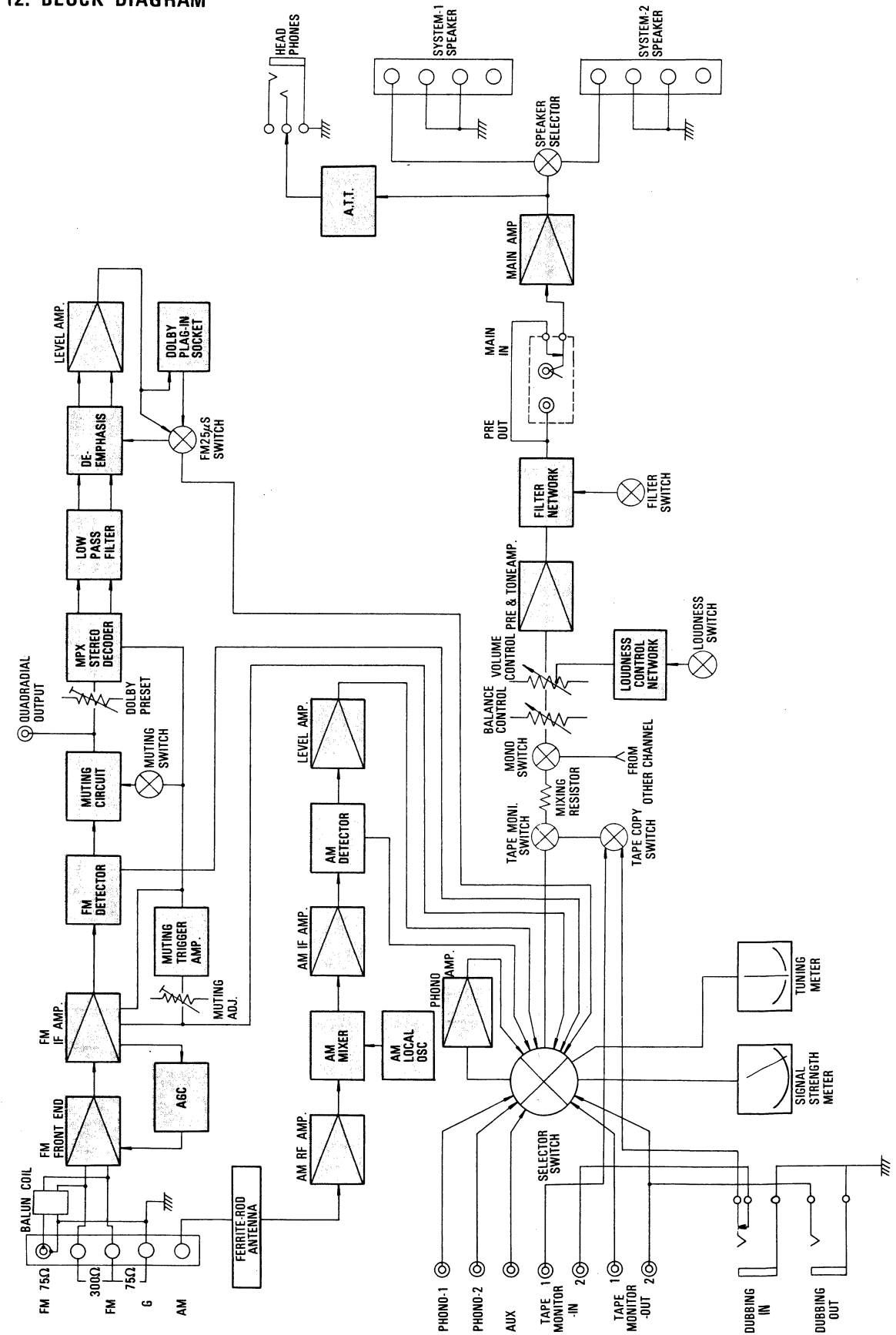
11.8 DLB-1 Socket Assembly (PK01) Schematic Diagram and Component Locations



11.9 EQ Amp. Assembly (P400) Schematic Diagram and Component Locations

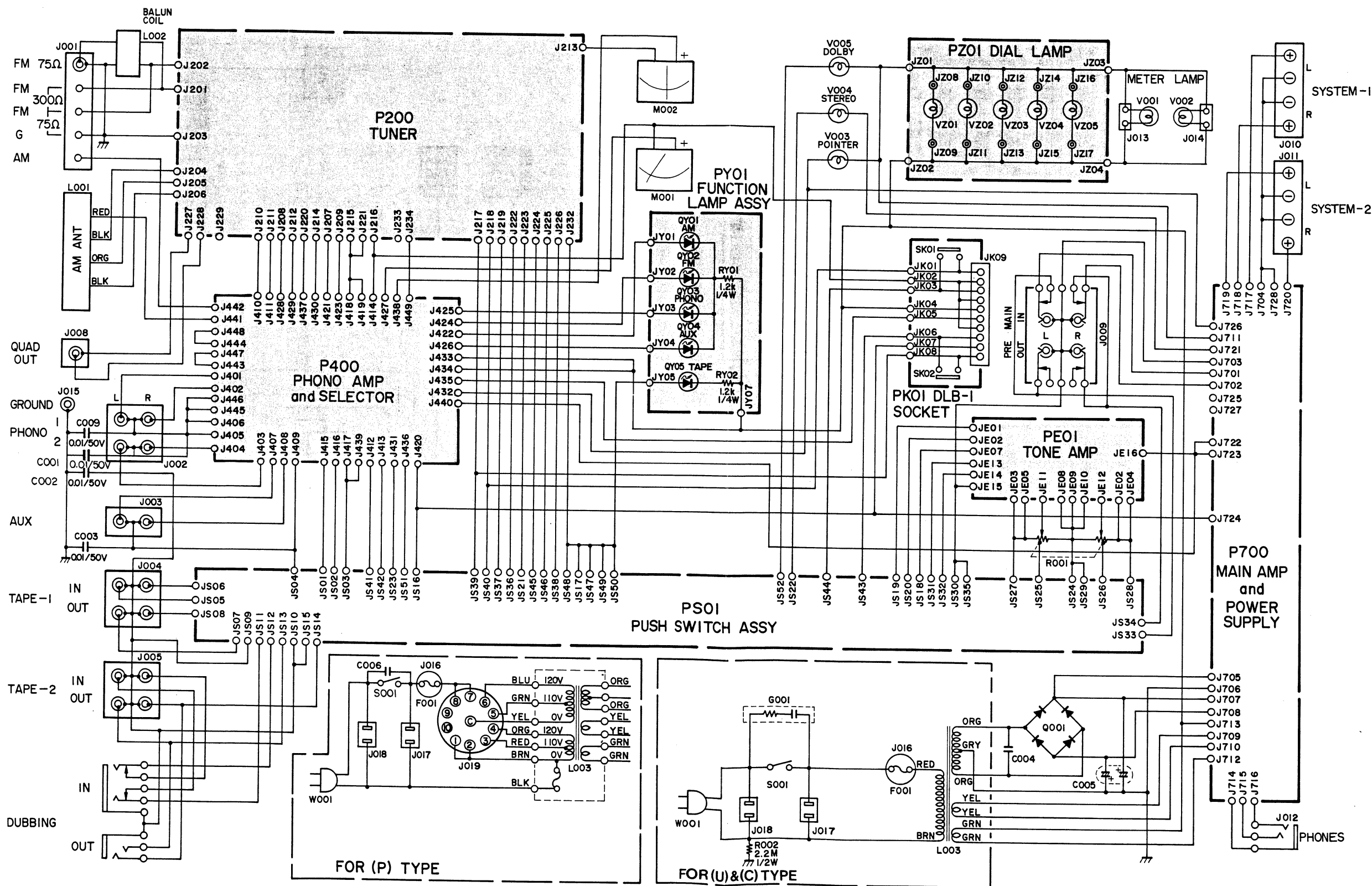


12. BLOCK DIAGRAM

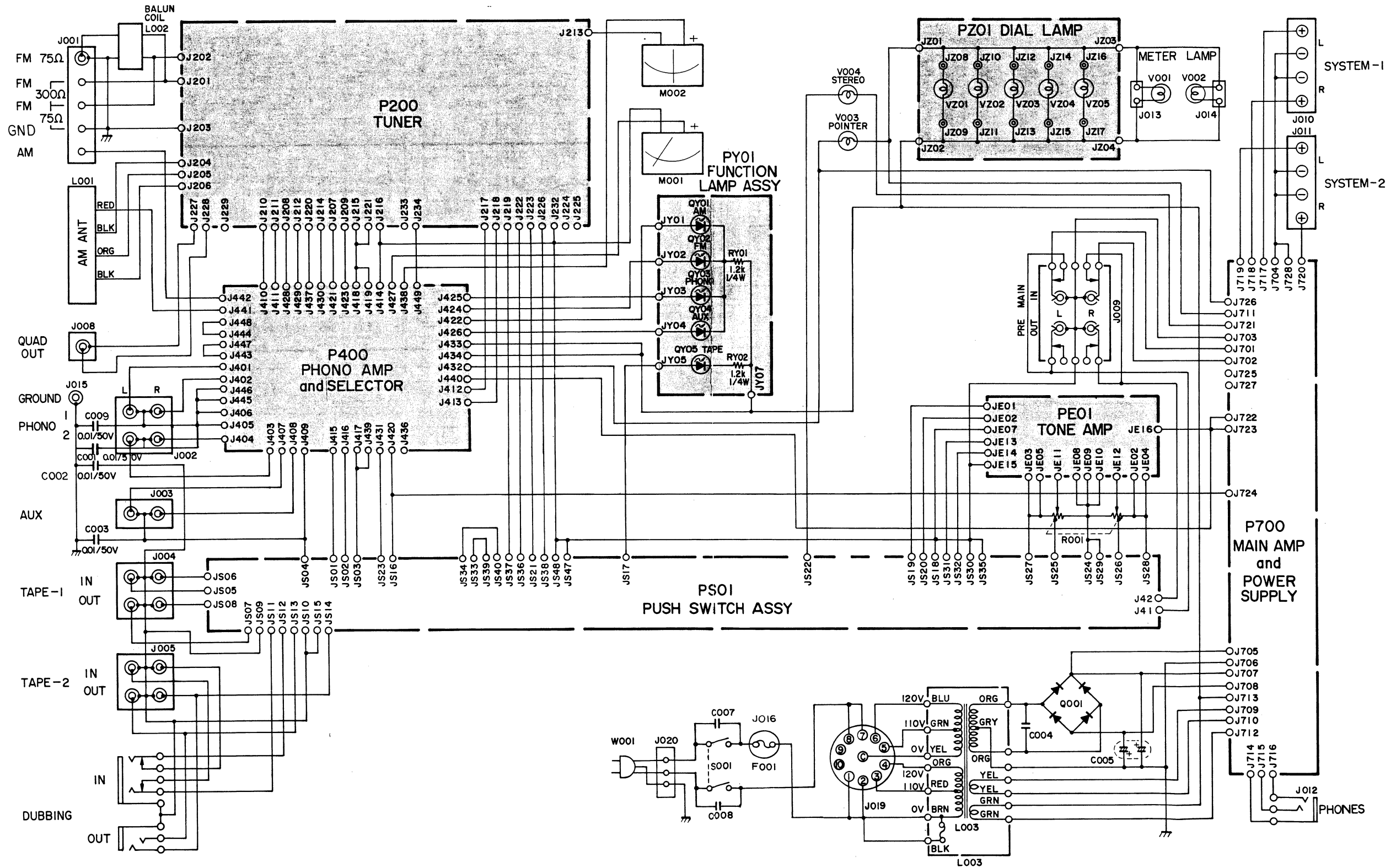


13. CONNECTION DIAGRAMS

13.1 For U.S.A. & Canadian Models



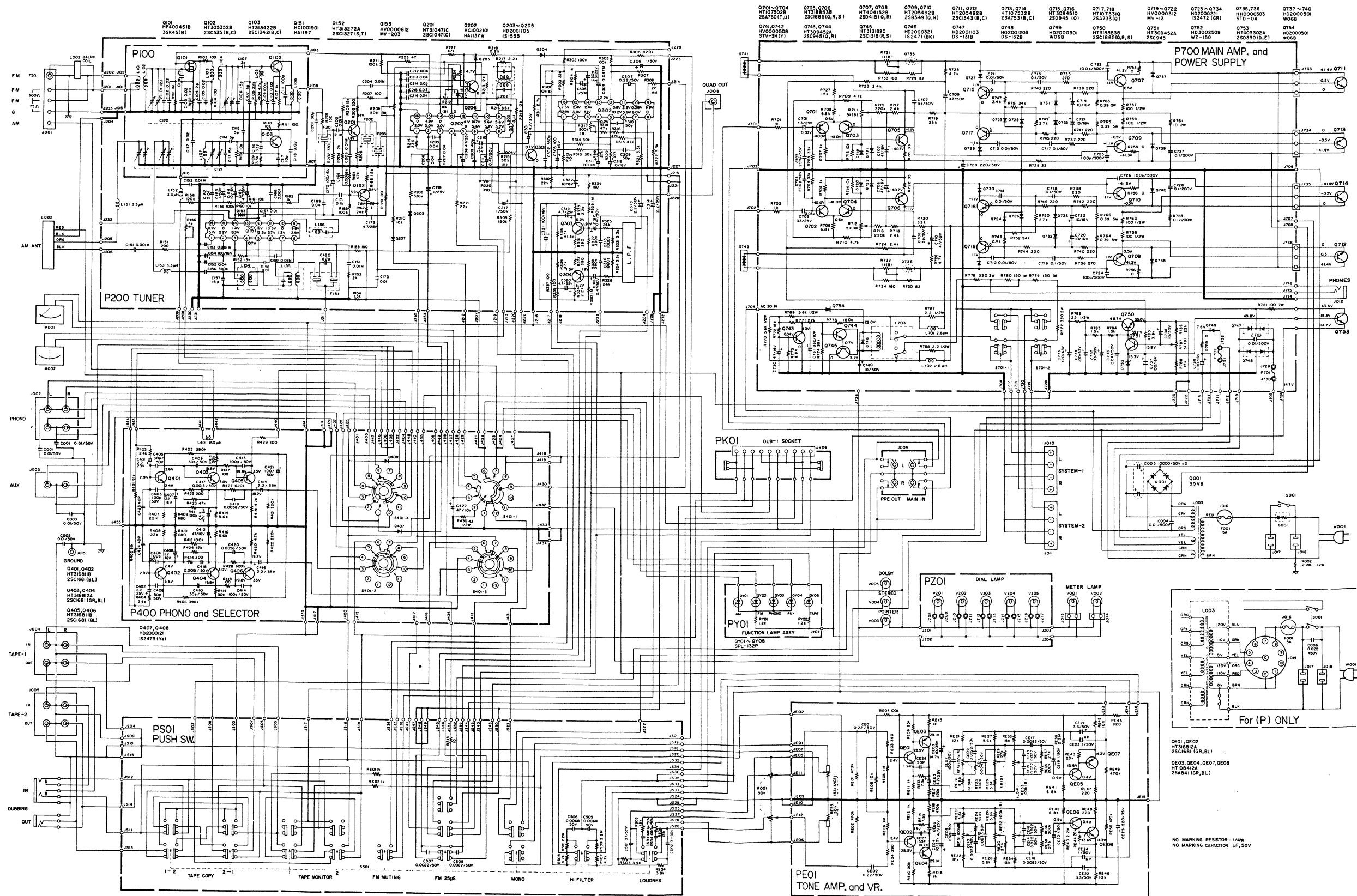
13.2 For European Model



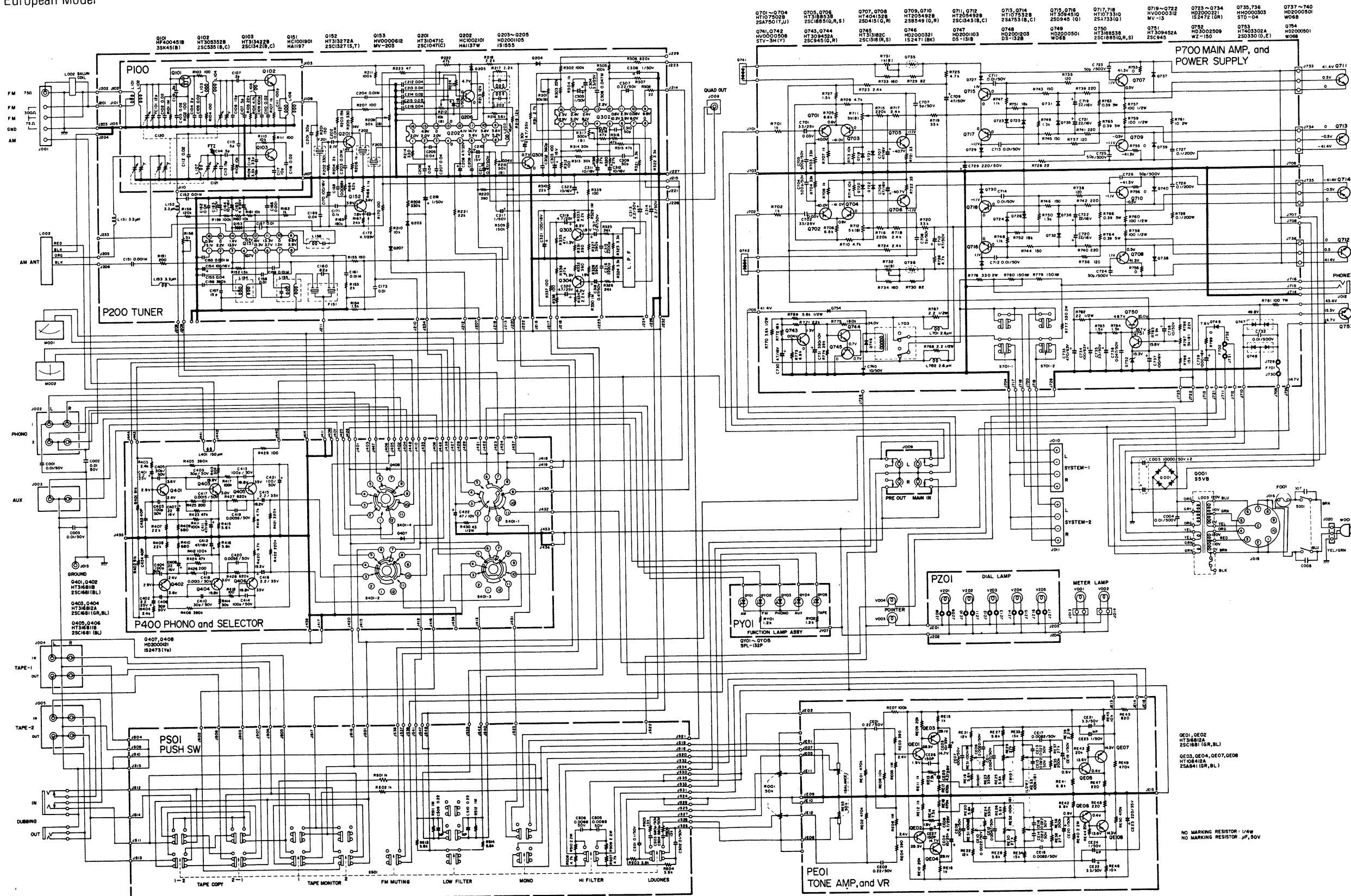
14. SCHEMATIC DIAGRAMS

14.1 For U.S.A. & Canadian Models

Model 2252B

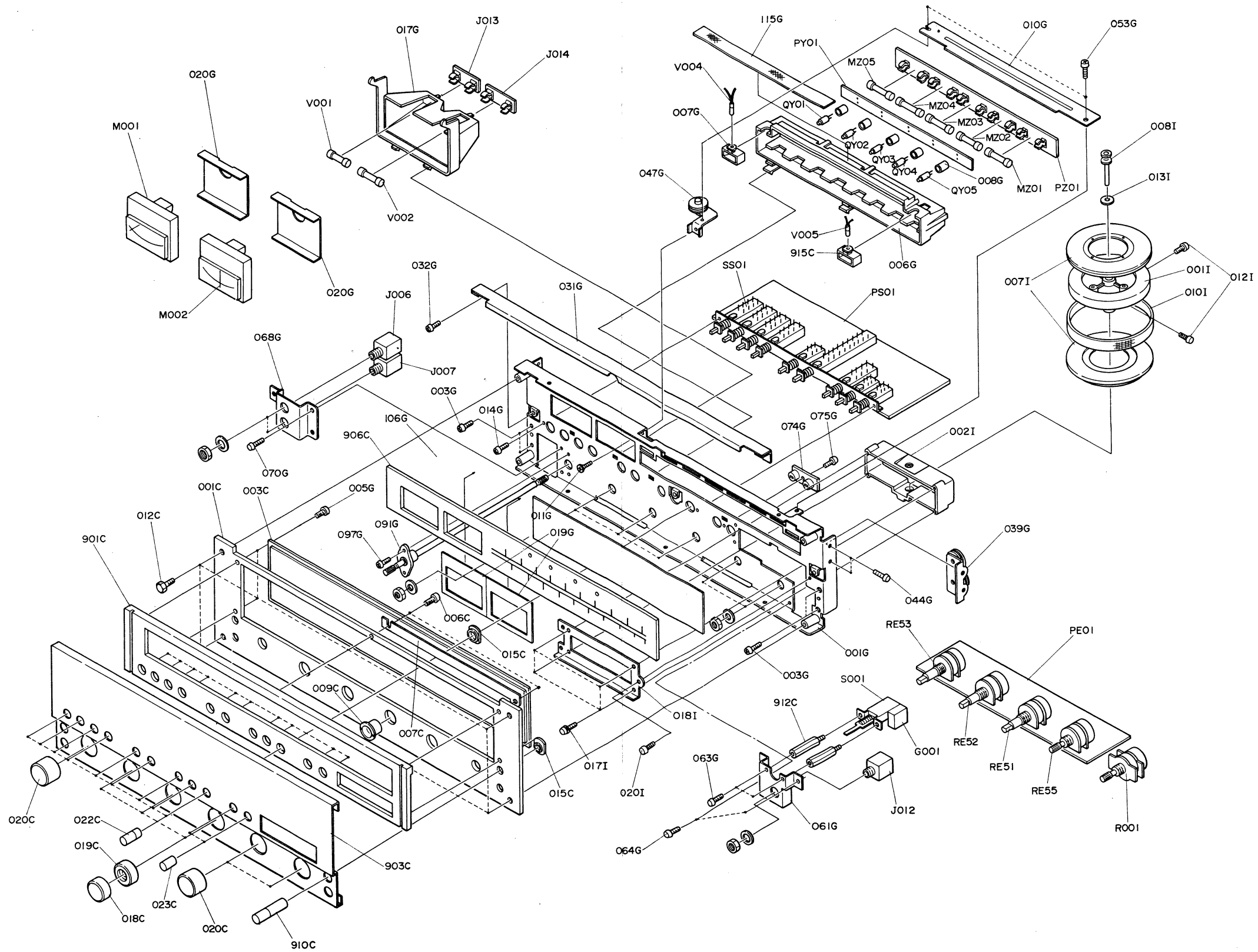


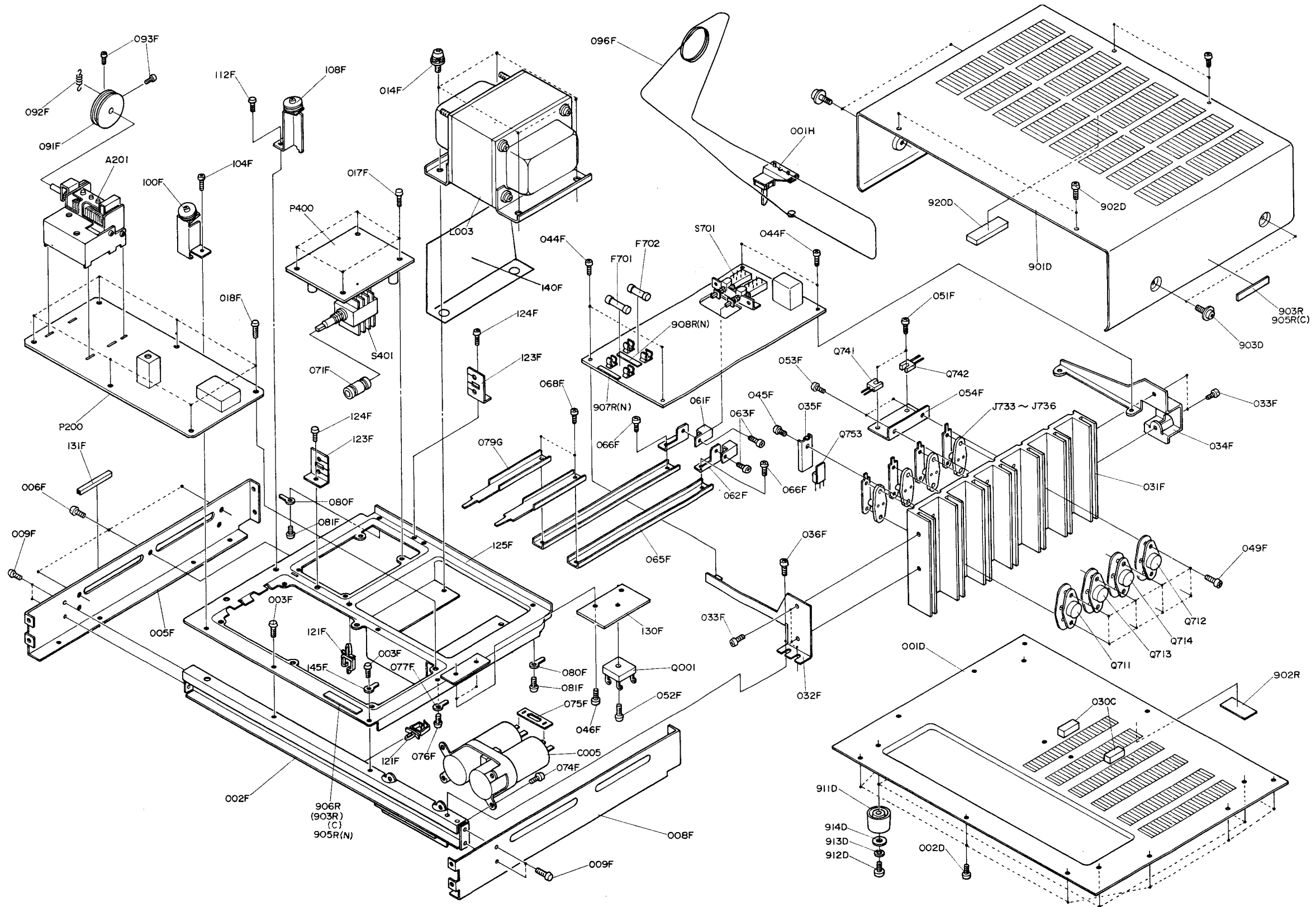
14.2 For European Model



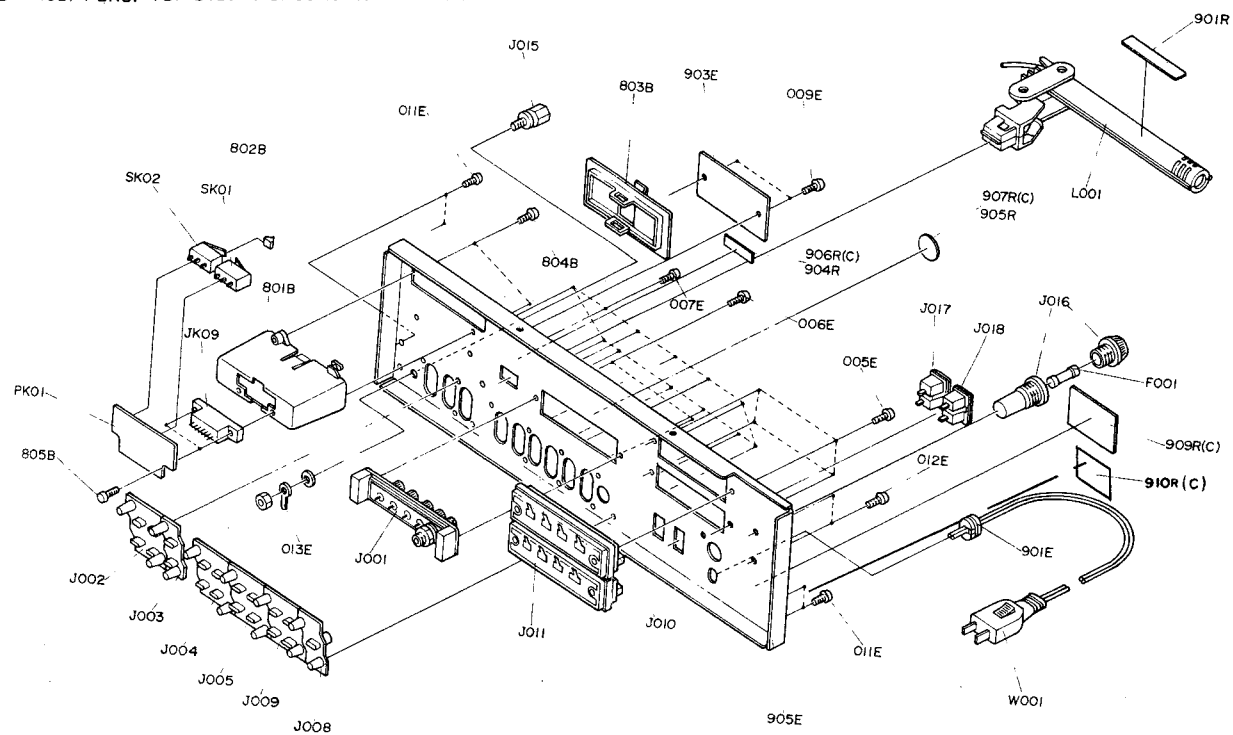
15. EXPLODED MECHANICAL DIAGRAMS

15.1 Cabinet

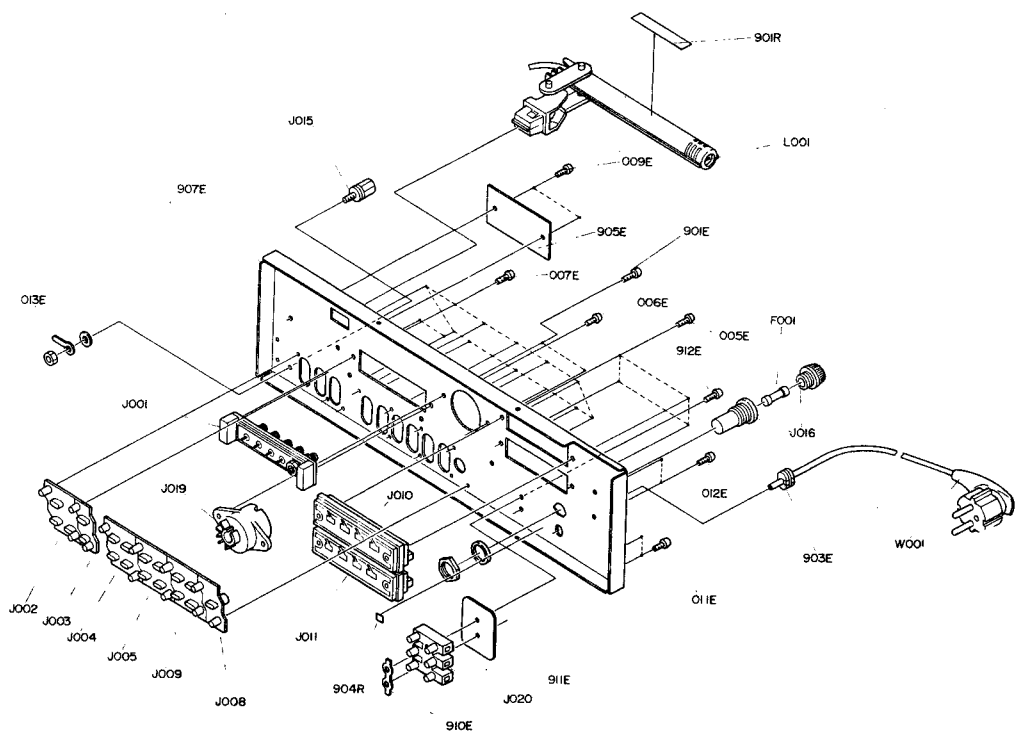




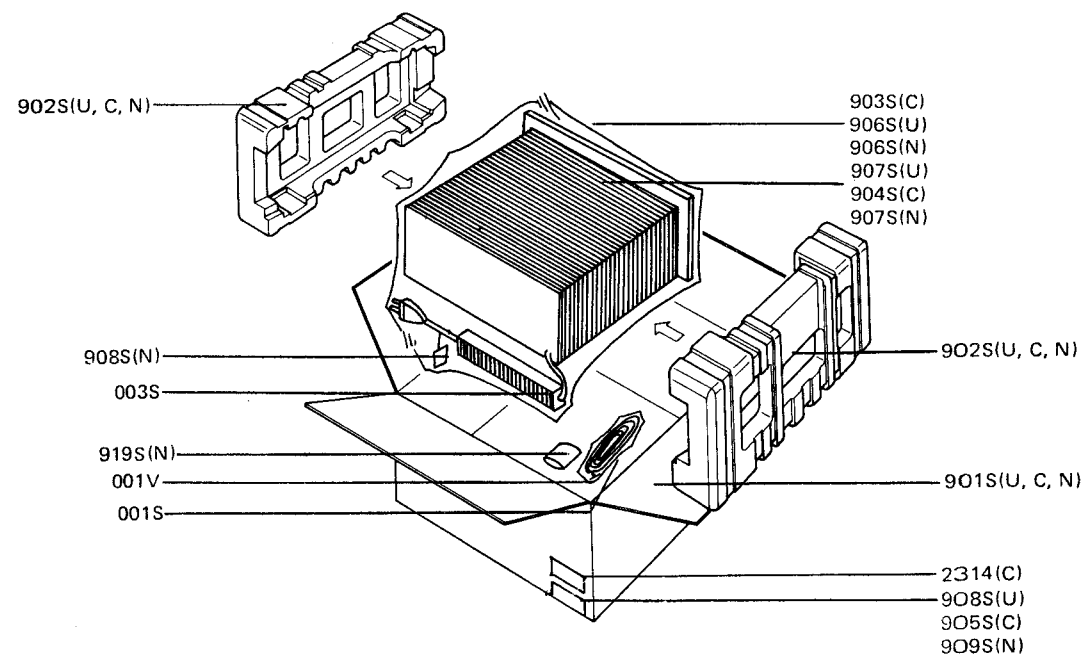
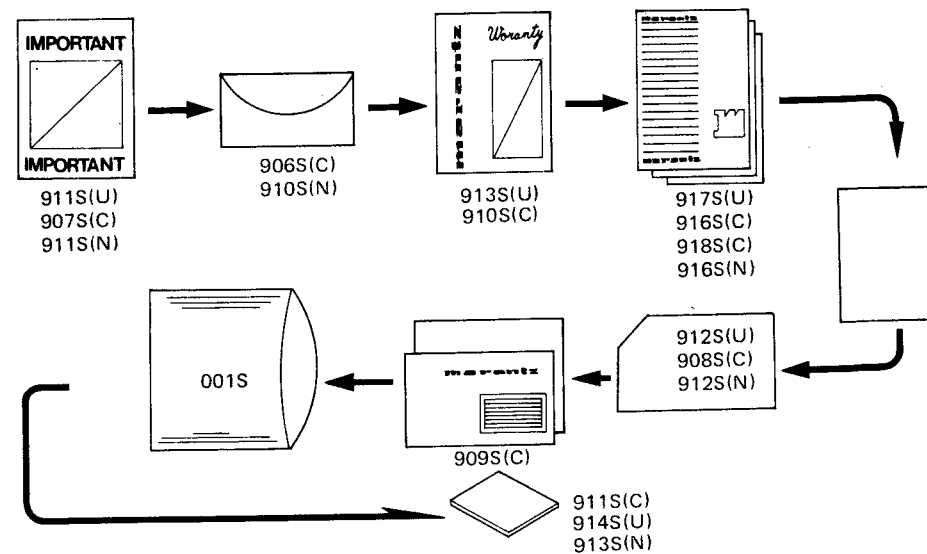
15.3 Rear Panel for U.S.A. & Canadian Models



15.4 Rear Panel for European Model



16. PACKING MATERIAL EXPLODED VIEW



• (U) for U.S.A.
 • (C) for Canada
 • (N) for Europe

- (U) for U.S.A.
- (C) for Canada
- (N) for Europe

17. PARTS LIST

REF. DESIG.	Q'TY			PART NO.	DESCRIPTION	REF. DESIG.	Q'TY			PART NO.	DESCRIPTION
	U	C	N				U	C	N		
A	1	1		2209063400	Front Panel Assembly	006F	5	5	5	51280306B0	B.H. Tapped Screw, B3 x 6
A1			1	2209063410	Front Panel Assembly	006G	1	1	1	2211274102	Reflector
001C	1	1	1	2209063013	Escutcheon	007E	12	12	12	51280308U0	B.H. Tapped Screw, B3 x 8
003C	1	1	1	2211158110	Window	007G	1	1	1	2211274303	Reflector
005C	3	3	3	51100305A9	B.H.M. Screw, B3 x 5	008F	1	1	1	2205126033	Stay
006C	2	2	2	51100306S9	B.H.M. Screw, B3 x 6	008G	5	5	5	2211118010	Spacer
007C	1	1	1	2213160170	Bracket	008I	1	1	1	2219112010	Shaft
015C	12	12	12	2978259012	Bushing	009C	1	1	1	2213055010	Collar
901C	1	1		2209063022	Escutcheon	009E	2	2	2	51760306B0	OS Tapped Screw, O3 x 6
901C			1	2209063120	Escutcheon	009F	2	2	2	51280306B0	B.H. Tapped Screw, B3 x 6
903C	1	1	1	2209053013	Cover	010G	1	1	1	2205051014	Guide
B	1	1	1	2219273410	Flywheel Assembly	011E	7	7	7	51280308U0	B.H. Tapped Screw, B3 x 8
001I	1	1	1	2219273010	Flywheel	011G	2	2	2	51042608A0	F.H.M. Screw, F2.6 x 8
007I	2	2	2	2219063030	Escutcheon	012C	4	4	4	52017069J0	H. Head Bolt
010I	1	1	1	2215353010	Ring	012I	2	2	2	51820206B0	P.H.M. Screw, P2 x 6
012I	2	2	2	51820206B0	P.H.M. Screw, P2 x 6	013I	1	1	1	59031405G9	Washer
C	1	1	1	2205159400	Drum Assembly	014F	4	4	4	51490514A9	L. Washer Screw, L5 x 14
091F	1	1	1	2204159010	Drum	014G	2	2	2	51100306A9	B.H.M. Screw, B3 x 6
092F	1	1	1	2205115020	Spring	017F	4	4	4	51280308U0	B.H. Tapped Screw, B3 x 8
093F	2	2	2	51064019A9	P.H.M. Screw	017G	1	1	1	2211274203	Reflector
PE07	2	2	2	3444118050	Spacer	017I	4	4	4	51470306A9	L. Washer Screw, L3 x 6
PE11	3	3	3	75061251P0	Jumper	018C	3	3	3	2210154212	Knob
PS11	1	1	1	75060501P0	Jumper	018F	6	6	6	51280308U0	B.H. Tapped Screw, B3 x 8
PS12	1	1	1	75060751P0	Jumper	018I	1	1	1	2205160123	Bracket
PS13	11	11	11	75061001P0	Jumper	019C	3	3	3	2210154222	Knob
PS14	2	2	2	75062001P0	Jumper	019G	2	2	2	2213053022	Cover
P208	14	14	14	2933118020	Spacer	020C	3	3	3	2221154232	Knob
P211	12	12	12	75061251P0	Jumper	020G	2	2	2	2991107020	Sheet
P212	1	1	1	75061001P0	Jumper	020I	3	3	3	51280306B0	B.H. Tapped Screw, B3 x 6
P408	4	4	4	2933118020	Spacer	022C	9	9	9	2205154030	Knob
P411	1	1	1	75060501P0	Jumper	023C	2	2	2	2963154022	Knob
P412	1	1	1	75060751P0	Jumper	030C	2	2	2	2208056010	Buffer
P413	1	1	1	75061251P0	Jumper	031F	1	1	1	2209267010	Heatsink
P414	1	1	1	75061751P0	Jumper	031G	1	1	1	2205269013	Protector
P415	1	1	1	75062251P0	Jumper	032F	1	1	1	2207104012	Retainer
P707	32	32	32	3444118050	Spacer	032G	3	3	3	51280306B0	B.H. Tapped Screw, B3 x 6
P708	34	34	34	2933118020	Spacer	033F	4	4	4	51280308B0	B.H. Tapped Screw, B3 x 8
P711	10	10	10	75061251P0	Jumper	034F	1	1	1	2207104022	Retainer
P712	3	3	3	75060751P0	Jumper	035F	1	1	1	2207267020	Heatsink
R789	1	1	1	75061251P0	Jumper	036F	2	2	2	51280308B0	B.H. Tapped Screw, B3 x 8
001D	1	1	1	2205257022	Lid	039G	1	1	1	2205262510	Pulley
001G	1	1	1	2211160044	Bracket	044F	4	4	4	51280308U0	B.H. Tapped Screw, B3 x 8
001H	1	1	1	2991103500	Pointer	044G	2	2	2	51280306B0	B.H. Tapped Screw, B3 x 6
001S	1	1	1	9013025010	Polyethylene Bag	045F	1	1	1	51280310B0	B.H. Tapped Screw, B3 x 10
001V	1	1	1	ZA02000070	Ext. Antenna FM Ant.	046F	2	2	2	51280306B0	B.H. Tapped Screw, B3 x 6
002D	12	12	12	51280406U0	B.H. Tapped Screw, B4 x 6	047G	1	1	1	2205262502	Pulley
002F	1	1	1	2205126010	Stay	049F	8	8	8	51100312A9	B.H.M. Screw, B3 x 12
002I	1	1	1	2213104500	Retainer	051F	2	2	2	51280310U0	B.H. Tapped Screw, B3 x 10
003F	2	2	2	51280306B0	B.H. Tapped Screw, B3 x 6	052F	1	1	1	51280316U0	B.H. Tapped Screw, B3 x 16
003G	4	4	4	51280408B0	B.H. Tapped Screw, B4 x 8	053F	2	2	2	51280308B0	B.H. Tapped Screw, B3 x 8
003S	1	1	1	2864804010	Sleeve	053G	1	1	1	51280306B0	B.H. Tapped Screw, B3 x 6
005C	3	3	3	51100305A9	B.H.M. Screw, B3 x 5	054F	1	1	1	2207267040	Heatsink
005E	4	4	4	51280308U0	B.H. Tapped Screw, B3 x 8	061F	2	2	2	2891271013	Holder
005F	1	1	1	2205126023	Stay	061G	1	1	1	2213160020	Bracket
006E	2	2	2	51280308U0	B.H. Tapped Screw, B3 x 8	062F	2	2	2	2205002012	Arm
						063F	2	2	2	51280306B0	B.H. Tapped Screw, B3 x 6
						063G	2	2	2	51100306A9	B.H.M. Screw, B3 x 6

- (U) for U.S.A.
- (C) for Canada
- (N) for Europe

REF. DESIG.	Q'TY			PART NO.	DESCRIPTION	REF. DESIG.	Q'TY			PART NO.	DESCRIPTION
	U	C	N				U	C	N		
064G	2	2	2	51280306B0	B.H. Tapped Screw, B3 x 6	903S			1	2209801010	Packing Case
065F	2	2	2	2207160010	Bracket	903S		1		9014838380	Polyethylene Bag
066F	2	2	2	51300306B0	P.H. Tapped Screw, P3 x 6	904R			1	2882861020	Label
068F	2	2	2	51300306B0	P.H. Tapped Screw, P3 x 6	904R	1			9510911020	Label
068G	1	1	1	2213160030	Bracket	904S		1		2918107130	Sheet
070G	3	3	3	51280306B0	B.H. Tapped Screw, B3 x 6	905E	1	1		2209160213	Bracket
071F	1	1	1	2963125010	Joint	905E			1	2209265030	Indicator
074F	4	4	4	51280306B0	B.H. Tapped Screw, B3 x 6	905R			2	2205861010	Label
074G	1	1	1	2213106012	Sustainer	905R			1	2911861142	Label
075F	1	1	1	2207123010	Contacto	905R	1			9511101020	Label
075G	1	1	1	51280308B0	B.H. Tapped Screw, B3 x 8	905S		3		9523015120	Serial No. Card
076F	1	1	1	51280306B0	B.H. Tapped Screw, B3 x 6	906C	1	1		2209302010	Dial
077F	1	1	1	62030049W0	Lug	906C			1	2209302110	Dial
079G	2	2	2	2205160032	Bracket	906R	2			2205861010	Label
080F	2	2	2	62030049W0	Lug	906R		1		9510911010	Label
081F	2	2	2	51280306B0	B.H. Tapped Screw, B3 x 6	906S		1		2918813012	Envelope
091G	1	1	1	2205112502	Shaft	906S	1	1		9014838380	Polyethylene Bag
092G	1	1	1	2205112010	Shaft	907E		1		2209160312	Bracket
096F	2	2	2	72071605A0	String	907R		1		9512601030	Label
097G	2	2	2	51280308B0	B.H. Tapped Screw, B3 x 8	907S		1		2818851120	Instructions
100F	1	1	1	2205262520	Pulley	907S	1	1		2918107130	Sheet
104F	1	1	1	51280306B0	B.H. Tapped Screw, B3 x 6	908R		1		9512601060	Label
106G	1	1	1	2213107010	Sheet	908S	3			9522815010	Serial No. Card
108F	1	1	1	2205262530	Pulley	908S		1		9560000042	Hang Tag
112F	1	1	1	51280306B0	B.H. Tapped Screw, B3 x 6	908S		1		9630000180	Guarantee Card
115G	1	1	1	2219202050	Net	909R		1		2911861192	Label
121F	5	5	5	2886005020	Clamper	909S		3		9523015110	Serial No. Card
122F	2	2	2	2886005050	Clamper	909S		1		9650000050	S. Station Card
123F	2	2	2	2205120012	Insulator	910C		1		2205154030	Knob
124F	2	2	2	51280306B0	B.H. Tapped Screw, B3 x 6	910C	1	1		2209154010	Knob
125F	1	1	1	2209105502	Chassis	910E		1		2970005010	Clamper
130F	1	1	1	2207267030	Heatsink	910R		1		2911861240	Label
131F	1	1	1	2965259010	Bushing	910S		1		2818813010	Envelope
135F	1	1	1	2991109010	Shield	910S		1		2818854042	Guarantee Card
136F	1	1	1	2991053112	Cover	911D	4	4	4	2932057010	Leg
140F	1	1	1	2209109010	Shield	911S		1		2577851020	Instructions
801B	1	1	1	2218271050	Holder	911S		1		2818851120	Instructions
802B	1	1	1	2218258010	Hook	911S		1		2818854140	Guarantee Card
803B	1	1	1	2218257030	Lid	912C		2		2209101010	Support
804B	2	2	2	51280308U0	B.H. Tapped Screw, B3 x 8	912C	2	2		2213101010	Support
805B	2	2	2	51280308U0	B.H. Tapped Screw, B3 x 8	912D	4	4	4	51570410B0	P. Tapped Screw, P4 x 1 0
901D	1	1	1	2213257010	Lid	912S		1		2577854012	Guarantee Card
901E	1	1	1	1455259030	Bushing	912S		1		9630000180	Guarantee Card
901E			2	51100308S9	B.H.M. Screw, B3 x 8	913C		2		2970120030	Insulator
901R	1		1	2506265060	Indicator	913D	4	4	4	54040402N0	Spring Washer
901R		1		2911861170	Label	913S		1		2818851140	Instructions
901S	1	1		2209801010	Packing Case	913S		1		2818854023	Guarantee Card
901S			1	2213801010	Packing Case	914D	4	4	4	54020401E0	Flat Washer, P
902D	4	4	4	51280306U0	B.H. Tapped Screw, B3 x 6	914S		1		2818851040	Instructions
902R	1		1	2578861010	Label	916S		1	1	2209851310	Instructions
902R		1		2911861112	Label	917S		1		2209851010	Instructions
902S	2	2	2	2204809012	Cushion	917S		1		2209851030	Instructions
903D	4	4	4	51480406S9	F. Washer Screw, F4 x 6	918S		1		2209851020	Instructions
903E			1	1455259040	Bushing	918S		1		2209851030	Instructions
903E	1			2209265010	Indicator	918S		1		2886851100	Instructions
903E		1		2209265020	Indicator	919S		1		2731821010	Silicagel
903R		3		2205861110	Label	920D	1	1	1	2208056010	Buffer
903R	1		1	2932861010	Label						

- (U) for U.S.A.
- (C) for Canada
- (N) for Europe

REF. DESIG.	Q'TY			PART NO.	DESCRIPTION	REF. DESIG.	Q'TY			PART NO.	DESCRIPTION
	U	C	N				U	C	N		
921D	2	2	2	2965118010	Spacer	RE07	1	1	1	RT05104140	Resistor, 100kΩ ±5% ¼W
923S			1	9510901140	Label	RE08	1	1	1	RT05103140	Resistor, 10kΩ ±5% ¼W
923S		1		9510901150	Label	RE09	1	1	1	RT05203140	Resistor, 20kΩ ±5% ¼W
924S			1	9510901140	Label	RE10	1	1	1	RT05203140	Resistor, 20kΩ ±5% ¼W
924S		1		9510901150	Label	RE11	1	1	1	RT05102140	Resistor, 1kΩ ±5% ¼W
CE01	1	1	1	DF17224010	Film Cap., 0.22μF ±20% 50V	RE12	1	1	1	RT05102140	Resistor, 1kΩ ±5% ¼W
CE02	1	1	1	DF17224010	Film Cap., 0.22μF ±20% 50V	RE13	1	1	1	RT05752140	Resistor, 7.5kΩ ±5% ¼W
CE03	1	1	1	EA10603590	Electrolytic Cap., 10μF ±20% 35V	RE14	1	1	1	RT05752140	Resistor, 7.5kΩ ±5% ¼W
CE04	1	1	1	EA10603590	Electrolytic Cap., 10μF ±20% 35V	RE15	1	1	1	RT05102140	Resistor, 1kΩ ±5% ¼W
CE05	1	1	1	EE47502540	Electrolytic Cap., 4.7μF ±20% 25V	RE16	1	1	1	RT05102140	Resistor, 1kΩ ±5% ¼W
CE06	1	1	1	EE47502540	Electrolytic Cap., 4.7μF ±20% 25V	RE17	1	1	1	RT05474140	Resistor, 470kΩ ±5% ¼W
CE07	1	1	1	DD16101010	Ceramic Cap., 100pF ±10% 50V	RE18	1	1	1	RT05474140	Resistor, 470kΩ ±5% ¼W
CE08	1	1	1	DD16101010	Ceramic Cap., 100pF ±10% 50V	RE19	1	1	1	RT05562140	Resistor, 5.6kΩ ±5% ¼W
CE09	1	1	1	DF16222050	Film Cap., 0.0022μF ±10% 50V	RE20	1	1	1	RT05562140	Resistor, 5.6kΩ ±5% ¼W
CE10	1	1	1	DF16222050	Film Cap., 0.0022μF ±10% 50V	RE21	1	1	1	RT05123140	Resistor, 12kΩ ±5% ¼W
CE11	1	1	1	DF16472050	Film Cap., 0.0047μF ±10% 50V	RE22	1	1	1	RT05123140	Resistor, 12kΩ ±5% ¼W
CE12	1	1	1	DF16472050	Film Cap., 0.0047μF ±10% 50V	RE23	1	1	1	RT05334140	Resistor, 330kΩ ±5% ¼W
CE13	1	1	1	DF16223010	Film Cap., 0.022μF ±10% 50V	RE24	1	1	1	RT05334140	Resistor, 330kΩ ±5% ¼W
CE14	1	1	1	DF16223010	Film Cap., 0.022μF ±10% 50V	RE25	1	1	1	RT05562140	Resistor, 5.6kΩ ±5% ¼W
CE15	1	1	1	DF16223010	Film Cap., 0.022μF ±10% 50V	RE26	1	1	1	RT05562140	Resistor, 5.6kΩ ±5% ¼W
CE16	1	1	1	DF16223010	Film Cap., 0.022μF ±10% 50V	RE27	1	1	1	RT05562140	Resistor, 5.6kΩ ±5% ¼W
CE17	1	1	1	DF16822050	Film Cap., 0.0082μF ±10% 50V	RE28	1	1	1	RT05562140	Resistor, 5.6kΩ ±5% ¼W
CE18	1	1	1	DF16822050	Film Cap., 0.0082μF ±10% 50V	RE29	1	1	1	RT05273140	Resistor, 27kΩ ±5% ¼W
CE19	1	1	1	EE10505010	Electrolytic Cap., 1μF ±20% 50V	RE30	1	1	1	RT05273140	Resistor, 27kΩ ±5% ¼W
CE20	1	1	1	EE10505010	Electrolytic Cap., 1μF ±20% 50V	RE31	1	1	1	RT05123140	Resistor, 12kΩ ±5% ¼W
CE21	1	1	1	EE33505010	Electrolytic Cap., 3.3μF ±20% 50V	RE32	1	1	1	RT05123140	Resistor, 12kΩ ±5% ¼W
CE22	1	1	1	EE33505010	Electrolytic Cap., 3.3μF ±20% 50V	RE33	1	1	1	RT05153140	Resistor, 15kΩ ±5% ¼W
CE23	1	1	1	EQ10505010	Electrolytic Cap., 1μF ±30% 50V	RE34	1	1	1	RT05153140	Resistor, 15kΩ ±5% ¼W
CE24	1	1	1	EQ10505010	Electrolytic Cap., 1μF ±20% 50V	RE35	1	1	1	RT05204140	Resistor, 200kΩ ±5% ¼W
CE25	1	1	1	EA22703590	Electrolytic Cap., 220μF ±20% 35V	RE36	1	1	1	RT05204140	Resistor, 200kΩ ±5% ¼W
JE01	1	1	1	YP10001130	Plug	RE37	1	1	1	RT05273140	Resistor, 27kΩ ±5% ¼W
JE02	1	1	1	YP10001130	Plug	RE38	1	1	1	RT05273140	Resistor, 27kΩ ±5% ¼W
JE05	1	1	1	YP10001130	Plug	RE39	1	1	1	RT05225140	Resistor, 2.2MΩ ±5% ¼W
JE06	1	1	1	YP10001130	Plug	RE40	1	1	1	RT05225140	Resistor, 2.2MΩ ±5% ¼W
JE07	1	1	1	YP10001130	Plug	RE41	1	1	1	RT05683140	Resistor, 68kΩ ±5% ¼W
JE09		8	8	YP10001130	Plug	RE42	1	1	1	RT05683140	Resistor, 68kΩ ±5% ¼W
JE16						RE43	1	1	1	RT05203140	Resistor, 20kΩ ±5% ¼W
					PE01 TONE BOARD	RE44	1	1	1	RT05203140	Resistor, 20kΩ ±5% ¼W
PE01	1	1	1	YK22090230	P.W. Board	RE45	1	1	1	RT05103140	Resistor, 10kΩ ±5% ¼W
	1	1	1	ZZ22090230	P.W. Board Assembly	RE46	1	1	1	RT05103140	Resistor, 10kΩ ±5% ¼W
QE01	1	1	1	HT316812A0	Transistor, 2SC1681 (GR, BL)	RE47	1	1	1	RT05221140	Resistor, 220Ω ±5% ¼W
QE02	1	1	1	HT316812A0	Transistor, 2SC1681 (GR, BL)	RE48	1	1	1	RT05221140	Resistor, 220Ω ±5% ¼W
QE03	1	1	1	HT108412A0	Transistor, 2SA 841 (GR, BL)	RE49	1	1	1	RT05474140	Resistor, 470kΩ ±5% ¼W
QE04	1	1	1	HT108412A0	Transistor, 2SA 841 (GR, BL)	RE50	1	1	1	RT05474140	Resistor, 470kΩ ±5% ¼W
QE05	1	1	1	HT316812A0	Transistor, 2SC1681 (GR, BL)	RE51	1	1	1	RD01040080	Variable Resistor, 100kΩ (B) Treble
QE06	1	1	1	HT316812A0	Transistor, 2SC1681 (GR, BL)	RE52	1	1	1	RD01040080	Variable Resistor, 100kΩ (B) Mid
QE07	1	1	1	HT108412A0	Transistor, 2SA 841 (GR, BL)	RE53	1	1	1	RD01040080	Variable Resistor, 100kΩ (B) Bass
QE08	1	1	1	HT108412A0	Transistor, 2SA 841 (GR, BL)	RE54	1	1	1	RT05821140	Resistor, 820Ω ±5% ¼W
RE01	1	1	1	RT05474140	Resistor, 470kΩ ±5% ¼W	RE55	1	1	1	RM05030710	Variable Resistor, 50kΩ Balance
RE02	1	1	1	RT05474140	Resistor, 470kΩ ±5% ¼W	JK01		8	8	YP10001130	Plug
RE03	1	1	1	RT05391140	Resistor, 390Ω ±5% ¼W	JK08					
RE04	1	1	1	RT05391140	Resistor, 390Ω ±5% ¼W	JK09	1	1		YJ07000120	Jack, 10P, PC Connector
RE05	1	1	1	RT05105140	Resistor, 1MΩ ±5% ¼W	PK01	1	1		YA22180310	PK01 DOLBY SOCKET BOARD
RE06	1	1	1	RT05105140	Resistor, 1MΩ ±5% ¼W		1	1		ZZ22180310	P.W. Board Assembly

• (U) for U.S.A.
• (C) for Canada
• (N) for Europe

REF. DESIG.	Q'TY			PART NO.	DESCRIPTION	REF. DESIG.	Q'TY			PART NO.	DESCRIPTION
	U	C	N				U	C	N		
SK01	1	1		SC01020240	Micro Switch	RY01	1	1	1	RT05122140	Resistor, 1.2kΩ ±5% ¼W
SK02	1	1		SC01020240	Micro Switch	RY02	1	1	1	RT05122140	Resistor, 1.2kΩ ±5% ¼W
CS01	1	1		DF16104050	Film Cap., 0.1µF ±10% 50V	JZ01	7	7	7	YP10001130	Plug
CS02	1	1	1	DF16104050	Film Cap., 0.1µF ±10% 50V	JZ07					
CS03	1	1	1	DK16681010	Ceramic Cap., 680pF ±10% 50V	JZ08					
CS04	1	1	1	DK16681010	Ceramic Cap., 680pF ±10% 50V	JZ17	10	10	10	YJ08000170	Jack
CS05	1	1	1	DF16682050	Film Cap., 0.0068µF ±10% 50V						
CS06	1	1	1	DF16682050	Film Cap., 0.0068µF ±10% 50V						
CS07	1	1		DF15222050	Film Cap., 0.0022µF ±5% 50V						
CS08	1	1		DF15222050	Film Cap., 0.0022µF ±5% 50V						
CS09			1	DF15393010	Film Cap., 0.039µF ±5% 50V	PZ01	1	1	1	YF22130050	P.W. Board
CS10			1	DF15393010	Film Cap., 0.039µF ±5% 50V					ZZ22130050	P.W. Board Assembly
JS01	42	42	42	YP10001130	Plug	VZ01	1	1	1	IN10080070	Lamp, 8V 200mA
JS42						VZ02	1	1	1	IN10080070	Lamp, 8V 200mA
JS43	4	4		YP10001130	Plug	VZ03	1	1	1	IN10080070	Lamp, 8V 200mA
JS46						VZ04	1	1	1	IN10080070	Lamp, 8V 200mA
JS47	1	1	1	YP10001130	Plug	VZ05	1	1	1	IN10080070	Lamp, 8V 200mA
JS48	1	1	1	YP10001130	Plug	C001	1	1	1	DK18103010	Ceramic Cap., 0.01µF ±20% 50V
JS49	4	4		YP10001130	Plug	C003	1	1	1	DK18103010	Ceramic Cap., 0.01µF ±20% 50V
JS52						C004	1	1	1	DK18103510	Ceramic Cap., 0.01µF ±20% 500V
						C005	1	1	1	E110905010	Electrolytic Cap., 1000µF ±50% 50V
						C007			1	DO07223510	Oilpaper Cap., 0.022µF ±20% 450V
						C008			1	DF17223800	Film Cap., 0.022µF ±20%
						F001			1	FS10400800	Fuse, 4AT 20mm (SEMKO)
PS01	1	1	1	YK22090220	P.W. Board	F001	1	1		FS10500040	Fuse, 5A MGC 30mm
	1	1		ZZ22090220	P.W. Board Assembly	F002			1	FS20500910	Fuse, 5A MGP 30mm
			1	ZZ22098220	P.W. Board Assembly	G001	1			BF10400030	Cap. Comp., Printed Comp.
RS01	1	1	1	RT05102140	Resistor, 1kΩ ±5% ¼W	G001	1		1	BF10400050	Cap. Comp., Printed Comp.
RS02	1	1	1	RT05102140	Resistor, 1kΩ ±5% ¼W	J001	1	1		BY04050010	Terminal, 75Ω Coaxial Ant.
RS03	1	1	1	RT05392140	Resistor, 3.9kΩ ±5% ¼W	J002	1	1	1	YT02040190	Terminal, Phono 1,2
RS04	1	1	1	RT05392140	Resistor, 3.9kΩ ±5% ¼W	J003	1	1	1	YT02020140	Terminal, Aux
RS05	1	1	1	RT05133140	Resistor, 13kΩ ±5% ¼W	J004	1	1	1	YT02040140	Terminal, Tape 1
RS06	1	1	1	RT05133140	Resistor, 13kΩ ±5% ¼W	J005	1	1	1	YT02040140	Terminal, Tape 2
RS07	1	1	1	RT05472140	Resistor, 4.7kΩ ±5% ¼W	J006	1	1	1	YJ01001070	Jack, Dubbing In
RS08	1	1	1	RT05472140	Resistor, 4.7kΩ ±5% ¼W	J007	1	1	1	YJ01001080	Jack, Dubbing Out
RS09	1	1	1	RT05225140	Resistor, 2.2MΩ ±5% ¼W	J008	1	1	1	YT02010130	Terminal, Quad. Out
RS10	1	1	1	RT05225140	Resistor, 2.2MΩ ±5% ¼W	J009	1	1	1	YT02040170	Terminal, Pre Out, Main In
RS11			1	RT05105140	Resistor, 1MΩ ±5% ¼W	J010	1	1	1	YT03040160	Terminal, Spkr System 1
RS12			1	RT05105140	Resistor, 1MΩ ±5% ¼W	J011	1	1	1	YT03040160	Terminal, Spkr System 2
RS13			1	RT05474140	Resistor, 470kΩ ±5% ¼W	J012	1	1	1	YJ01001080	Jack, Headphones
RS14			1	RT05474140	Resistor, 470kΩ ±5% ¼W	J013	1	1	1	YJ08000250	Jack, Lamp Holder
RS15	1	1		GF05100140	Resistor, 10Ω ±5% ¼W	J014	1	1	1	YJ08000250	Jack, Lamp Holder
SS01	1	1	1	SP06090010	Pushswitch	J015	1	1	1	YT01010050	Terminal, GND Terminal
JY01	5	5	5	YP10001130	Plug	J016	1	1		YJ08000120	Jack, Fuse Holder
JY05						J016			1	YJ08000220	Jack, Fuse Holder
JY07	1	1	1	YP10001130	Plug	J017	1	1		YJ04000560	Jack, AC Outlet
						J018	1	1		YJ04000560	Jack, AC Outlet
						J019			1	BY03110010	Plug, Voltage Selector
						J020			1	YL09030010	Terminal, 3P
						L001	1	1	1	LF11200520	Ant. Coil, AM
						L002	1	1	1	LB30075260	Balun Coil
						L003	1	1		TS60505010	Power Transformer
						L003			1	TS60505020	Power Transformer
QY01	1	1	1	H110004030	L.E.D., Diode SPL-132P	M001	1	1	1	IM11055080	D.C. Meter, Signal Strength
QY02	1	1	1	H110004030	L.E.D., Diode SPL-132P	M002	1	1	1	IM11055050	D.C. Meter, Center Tuning
QY03	1	1	1	H110004030	L.E.D., Diode SPL-132P	Q001	1	1	1	HD20004290	Diode, 55VB
QY04	1	1	1	H110004030	L.E.D., Diode SPL-132P	R001	1	1	1	RM05030730	Variable Resistor, Vol. 50kΩ
QY05	1	1	1	H110004030	L.E.D., Diode SPL-132P						

- (U) for U.S.A.
- (C) for Canada
- (N) for Europe

REF. DESIG.	Q'TY			PART NO.	DESCRIPTION		REF. DESIG.	Q'TY			PART NO.	DESCRIPTION	
	U	C	N					U	C	N			
R002	1	1		RC10225120	Resistor,	2.2M Ω \pm 10%	J105	1	1	1	YP10001510	Plug	
S001	1	1		SP02010280	Pushswitch,	Power	J107	1	1	1	YP10001510	Plug	
S001			1	SP04010250	Pushswitch,	Power	J109	1	1	1	YP10001510	Plug	
V001	1	1	1	IN10080430	Lamp,	8V 300mA	J110	1	1	1	YP10001510	Plug	
V002	1	1	1	IN10080430	Lamp,	8V 300mA	J111	1	1	1	YP10001510	Plug	
V004	1	1	1	IN10080340	Lamp,	Stereo	L105	1	1	1	LC12220010	Choke Coil	
V005	1	1	1	IN10080340	Lamp,	Dolby	L106	1	1	1	LI10239010	I.F.T.	
W001			1	YCO1900030	A.C. Power Cord		L151	1	1	1	LC13320020	Choke Coil,	3.3 μ H
W001	1	1		YCO2400220	A.C. Power Cord		L152	1	1	1	LC13320020	Choke Coil,	3.3 μ H
C101	1	1	1	DD16120020	Ceramic Cap.,	12pF \pm 10%	L153	1	1	1	LC13320020	Choke Coil,	3.3 μ H
C102	1	1	1	DK18203030	Ceramic Cap.,	0.02 μ F	L154	1	1	1	LO10010480	Osc. Coil,	AM
C103	1	1	1	DK18203030	Ceramic Cap.,	0.02 μ F	L155	1	1	1	LI10015010	I.F.T.,	AM
C104	1	1	1	DD11020010	Ceramic Cap.,	2pF	L156	1	1	1	LI10015060	I.F.T.,	AM
C105	1	1	1	DK18203030	Ceramic Cap.,	0.02 μ F							P100 FM FRONT END BOARD
C106	1	1	1	DD16150040	Ceramic Cap.,	15pF \pm 10%	P100	1	1	1	YD29910010	P.W. Board	
C107	1	1	1	DD11020010	Ceramic Cap.,	2pF	A201	1	1	1	AV01202060	FM Front End Assembly	
C108	1	1	1	DD12050010	Ceramic Cap.,	5pF							
C109	1	1	1	DD16101010	Ceramic Cap.,	100pF \pm 10%	Q101	1	1	1	HF400451B0	F.E.T.,	3SK45 B
C110	1	1	1	DK18203030	Ceramic Cap.,	0.02 μ F	Q102	1	1	1	HT305352B0	Transistor,	2SC535 (B, C)
C111	1	1	1	DD16101010	Ceramic Cap.,	100pF \pm 10%	Q103	1	1	1	HT313422B0	Transistor,	2SC1342 (B, C)
C112	1	1	1	DK18203030	Ceramic Cap.,	0.02 μ F	Q151	1	1	1	HC10019010	IC,	HA1197
C113	1	1	1	DD15150020	Ceramic Cap.,	15pF \pm 5%	Q152	1	1	1	HT313272A0	Transistor,	2SC1327 (S, T)
C114	1	1	1	DD10050030	Ceramic Cap.,	5pF	Q153	1	1	1	HV00006120	Varistor,	MV-203
C115	1	1	1	DD12050010	Ceramic Cap.,	5pF	R101	1	1	1	GD05105140	Resistor,	1M Ω \pm 5% $\frac{1}{4}$ W
C116	1	1	1	DD16330020	Ceramic Cap.,	33pF \pm 10%	R102	1	1	1	GD05101140	Resistor,	100 Ω \pm 5% $\frac{1}{4}$ W
C117	1	1	1	DD12100060	Ceramic Cap.,	10pF	R103	1	1	1	GD05101140	Resistor,	100 Ω \pm 5% $\frac{1}{4}$ W
C118	1	1	1	DK18203030	Ceramic Cap.,	0.02 μ F	R104	1	1	1	GD05101140	Resistor,	100 Ω \pm 5% $\frac{1}{4}$ W
C119	1	1	1	DD11020010	Ceramic Cap.,	2pF	R105	1	1	1	GD05223140	Resistor,	22k Ω \pm 5% $\frac{1}{4}$ W
C120	1	1	1	CA32400080	Variable Cap.,		R106	1	1	1	GD05472140	Resistor,	4.7k Ω \pm 5% $\frac{1}{4}$ W
C121	1	1	1	CT14200010	Trimming Cap.,		R107	1	1	1	GD05102140	Resistor,	1k Ω \pm 5% $\frac{1}{4}$ W
C151	1	1	1	DK17103010	Ceramic Cap.,	0.01 μ F \pm 20%	R108	1	1	1	GD05103140	Resistor,	10k Ω \pm 5% $\frac{1}{4}$ W
C152	1	1	1	DK17103010	Ceramic Cap.,	0.01 μ F \pm 20%	R109	1	1	1	GD05332140	Resistor,	3.3k Ω \pm 5% $\frac{1}{4}$ W
C153	1	1	1	DK17102010	Ceramic Cap.,	0.001 μ F \pm 20%	R110	1	1	1	GD05103140	Resistor,	10k Ω \pm 5% $\frac{1}{4}$ W
C154	1	1	1	EA10701690	Electrolytic Cap.,	100 μ F	R111	1	1	1	GD05101140	Resistor,	100 Ω \pm 5% $\frac{1}{4}$ W
C155	1	1	1	DK18403020	Ceramic Cap.,	0.04 μ F	R151	1	1	1	RT05201140	Resistor,	200 Ω \pm 5% $\frac{1}{4}$ W
C156	1	1	1	DF65391010	Film Cap.,	390pF	R152	1	1	1	RT05152140	Resistor,	1.5k Ω \pm 5% $\frac{1}{4}$ W
C157	1	1	1	DD16150010	Ceramic Cap.,	15pF \pm 10%	R153	1	1	1	RT05202140	Resistor,	2k Ω \pm 5% $\frac{1}{4}$ W
C158	1	1	1	DK18103010	Ceramic Cap.,	0.01 μ F	R154	1	1	1	RT05152140	Resistor,	1.5k Ω \pm 5% $\frac{1}{4}$ W
C159	1	1	1	DK17103010	Ceramic Cap.,	0.01 μ F \pm 20%	R155	1	1	1	RT05151140	Resistor,	150 Ω \pm 5% $\frac{1}{4}$ W
C160	1	1	1	DD16820010	Ceramic Cap.,	82pF \pm 10%	R156	1	1	1	RA05020200	Trimming Resistor,	5k Ω
C161	1	1	1	DK17103010	Ceramic Cap.,	0.01 μ F \pm 20%	R157	1	1	1	RT05391140	Resistor,	390 Ω \pm 5% $\frac{1}{4}$ W
C162	1	1	1	DK18403020	Ceramic Cap.,	0.04 μ F	R158	1	1	1	RT05124140	Resistor,	120k Ω \pm 5% $\frac{1}{4}$ W
C163	1	1	1	EA10505090	Electrolytic Cap.,	1 μ F	R159	1	1	1	RT05104140	Resistor,	100k Ω \pm 5% $\frac{1}{4}$ W
C164	1	1	1	EA10601690	Electrolytic Cap.,	10 μ F	R160	1	1	1	RT05103140	Resistor,	10k Ω \pm 5% $\frac{1}{4}$ W
C165	1	1	1	EA47503590	Electrolytic Cap.,	4.7 μ F	R161	1	1	1	RT05103140	Resistor,	10k Ω \pm 5% $\frac{1}{4}$ W
C166	1	1	1	DK17102010	Ceramic Cap.,	0.001 μ F \pm 20%	R162	1	1	1	RT05102140	Resistor,	1k Ω \pm 5% $\frac{1}{4}$ W
C167	1	1	1	DK18103010	Ceramic Cap.,	0.01 μ F	R163	1	1	1	RT05301140	Resistor,	300 Ω \pm 5% $\frac{1}{4}$ W
C168	1	1	1	DK16682010	Ceramic Cap.,	0.0068 μ F \pm 10%	R164	1	1	1	RT05473140	Resistor,	47k Ω \pm 5% $\frac{1}{4}$ W
C169	1	1	1	DK18403020	Ceramic Cap.,	0.04 μ F	R165	1	1	1	RT05104140	Resistor,	100k Ω \pm 5% $\frac{1}{4}$ W
C170	1	1	1	EA10701690	Electrolytic Cap.,	100 μ F	R166	1	1	1	RT05152140	Resistor,	1.5k Ω \pm 5% $\frac{1}{4}$ W
C171	1	1	1	DF16104010	Film Cap.,	0.1 μ F \pm 10%	R167	1	1	1	RT05242140	Resistor,	2.4k Ω \pm 5% $\frac{1}{4}$ W
C172	1	1	1	EE47502510	Electrolytic Cap.,	4.7 μ F	R169	1	1	1	RT05473140	Resistor,	47k Ω \pm 5% $\frac{1}{4}$ W
C173	1	1	1	DK17103040	Ceramic Cap.,	0.01 μ F \pm 20%	R170	1	1	1	RT05101140	Resistor,	100 Ω \pm 5% $\frac{1}{4}$ W
F151	1	1	1	FF10045160	Ceramic Filter,	AM 455kHz	A201	1	1	1	AV01202060	V.H.F. Tuner,	FM Front End
J101	1	1	1	YP10001510	Plug		C201	1	1	1	DD15300010	Ceramic Cap.,	30pF \pm 5%
J102	1	1	1	YP10001510	Plug		C202	1	1	1	DK17103010	Ceramic Cap.,	0.01 μ F \pm 20%
J103	1	1	1	YP10001510	Plug		C203	1	1	1	DK17103010	Ceramic Cap.,	0.01 μ F \pm 20%

- (U) for U.S.A.
- (C) for Canada
- (N) for Europe

REF. DESIG.	Q'TY			PART NO.	DESCRIPTION	REF. DESIG.	Q'TY			PART NO.	DESCRIPTION
	U	C	N				U	C	N		
C204	1	1	1	DK17103010	Ceramic Cap., 0.01μF ±20%	R217	1	1	1	RT05222140	Resistor, 2.2kΩ ±5% ¼W
C205	1	1	1	DK18403020	Ceramic Cap., 0.04μF	R218	1	1	1	RT05222140	Resistor, 2.2kΩ ±5% ¼W
C206	1	1	1	DK18403020	Ceramic Cap., 0.04μF	R219	1	1	1	RT05123140	Resistor, 12kΩ ±5% ¼W
C207	1	1	1	DK18403020	Ceramic Cap., 0.04μF	R220	1	1	1	RT05391140	Resistor, 390Ω ±5% ¼W
C208	1	1	1	EA47503590	Electrolytic Cap., 4.7μF 35V	R221	1	1	1	RT05223140	Resistor, 22kΩ ±5% ¼W
C209	1	1	1	DD15400040	Ceramic Cap., 40pF ±5%	R222	1	1	1	RT05473140	Resistor, 47kΩ ±5% ¼W
C210	1	1	1	EA22601690	Electrolytic Cap., 22μF 16V	R223	1	1	1	RT05470140	Resistor, 47Ω ±5% ¼W
C211	1	1	1	EA47405010	Electrolytic Cap., 0.47μF 50V	R224	1	1	1	RT05102140	Resistor, 1kΩ ±5% ¼W
C212	1	1	1	DK18403010	Ceramic Cap., 0.04μF	C301	1	1	1	EA47503590	Electrolytic Cap., 4.7μF 35V
C213	1	1	1	DK18403010	Ceramic Cap., 0.04μF	C302	1	1	1	DF65361500	Film Cap., 360pF ±5%
C214	1	1	1	DK18403010	Ceramic Cap., 0.04μF	C303	1	1	1	EA10701690	Electrolytic Cap., 100μF 16V
C215	1	1	1	DK18403010	Ceramic Cap., 0.04μF	C304	1	1	1	EE33502510	Electrolytic Cap., 3.3μF 25V
C216	1	1	1	DK18403010	Ceramic Cap., 0.04μF	C305	1	1	1	EE10505010	Electrolytic Cap., 1μF 50V
C217	1	1	1	EA10505090	Electrolytic Cap., 1μF 50V	C306	1	1	1	EA10505090	Electrolytic Cap., 1μF 50V
C218	1	1	1	EA10505090	Electrolytic Cap., 1μF 50V	C307	1	1	1	EQ22405010	Electrolytic Cap., 0.22μF 50V
C219	1	1	1	EE10505010	Electrolytic Cap., 1μF ±20% 50V	C308	1	1	1	DF17473010	Film Cap., 0.047μF ±20%
F201	1	1	1	FF11070050	Ceramic Filter, FM 10.7MHz	C309	1	1	1	DD15500050	Ceramic Cap., 50pF ±5%
F202	1	1	1	FF11070050	Ceramic Filter, FM 10.7MHz	C310	1	1	1	DD15500050	Ceramic Cap., 50pF ±5%
F203	1	1	1	FF11070050	Ceramic Filter, FM 10.7MHz	C311	1	1	1	EA10601690	Electrolytic Cap., 10μF 16V
J201						C312	1	1	1	EA10601690	Electrolytic Cap., 10μF 16V
J228	28	28	28	YP10001130	Plug	C313	1	1	1	EA22505090	Electrolytic Cap., 2.2μF 50V
J229	1	1	1	YP10001130	Plug, Test Point (76kHz)	C314	1	1	1	EA22505090	Electrolytic Cap., 2.2μF 50V
J231	1	1	1	YP10001130	Plug	C315	1	1	1	DF15102050	Film Cap., 1000pF ±5%
J232	1	1	1	YP10001130	Plug	C316	1	1	1	DF15222050	Film Cap., 2200pF ±5%
J233	1	1	1	YP10001130	Plug, AM Test Point	C316	1	1	1	DF15102050	Film Cap., 1000pF ±5%
J234	1	1	1	YP10001130	Plug	C316	1	1	1	DF15222050	Film Cap., 2200pF ±5%
L202	1	1	1	LI14019010	I.F.T., FM	C317	1	1	1	EA47405010	Electrolytic Cap., 0.47μF 50V
L203	1	1	1	LC11830010	Choke Coil, 18μH	C318	1	1	1	EA47405010	Electrolytic Cap., 0.47μF 50V
P200	1	1	1	YD22042013	P.W. Board	C319	1	1	1	EE47502510	Electrolytic Cap., 4.7μF 25V
				ZZ22052012	P.W. Board Assembly	C320	1	1	1	EE47502510	Electrolytic Cap., 4.7μF 25V
				ZZ22058012	P.W. Board Assembly	C321	1	1	1	EA10701690	Electrolytic Cap., 100μF 16V
Q201	1	1	1	HT310471C0	Transistor, 2SC1047 C	C322	1	1	1	EE10601640	Electrolytic Cap., 10μF 16V
Q202	1	1	1	HC10021010	IC, HA1137W	L301	1	1	1	LS35025010	M.P.X. Coil, LPF.
Q203	1	1	1	HD20001210	Diode, 1S2473	Q301	1	1	1	HT308281D0	Transistor, 2SC828 S
Q204	1	1	1	HD20001210	Diode, 1S2473	Q302	1	1	1	HC10020010	IC, HA1196
Q205	1	1	1	HD20001210	Diode, 1S2473	Q303	1	1	1	HT313441E0	Transistor, 2SC1344E
Q206	1	1	1	HT308281D0	Transistor, 2SC828 S	Q304	1	1	1	HT313441E0	Transistor, 2SC1344E
Q207	1	1	1	HD20001210	Diode, 1S2473	R301	1	1	1	RA01030310	Trimming Resistor, 10kΩ B
R201	1	1	1	RT05151140	Resistor, 150Ω ±5% ¼W	R302	1	1	1	RT05104140	Resistor, 100kΩ ±5% ¼W
R202	1	1	1	RT05331140	Resistor, 330Ω ±5% ¼W	R303	1	1	1	RT05223140	Resistor, 22kΩ ±5% ¼W
R203	1	1	1	RT05153140	Resistor, 15kΩ ±5% ¼W	R304	1	1	1	RT05102140	Resistor, 1kΩ ±5% ¼W
R204	1	1	1	RT05272140	Resistor, 2.7kΩ ±5% ¼W	R305	1	1	1	RT05104140	Resistor, 100kΩ ±5% ¼W
R205	1	1	1	RT05331140	Resistor, 330Ω ±5% ¼W	R306	1	1	1	RT05824140	Resistor, 820kΩ ±5% ¼W
R206	1	1	1	RT05102140	Resistor, 1kΩ ±5% ¼W	R307	1	1	1	RT05473140	Resistor, 47kΩ ±5% ¼W
R207	1	1	1	RT05101140	Resistor, 100Ω ±5% ¼W	R308	1	1	1	GF05220140	Resistor, 22Ω ±5% ¼W
R208	1	1	1	RT05334140	Resistor, 330kΩ ±5% ¼W	R309	1	1	1	RT05154140	Resistor, 150kΩ ±5% ¼W
R209	1	1	1	RA05030120	Trimming Resistor, 50kΩ B	R310	1	1	1	RT05223140	Resistor, 22kΩ ±5% ¼W
R210	1	1	1	RT05103140	Resistor, 10kΩ ±5% ¼W	R311	1	1	1	RT05272140	Resistor, 2.7kΩ ±5% ¼W
R211	1	1	1	RT05104140	Resistor, 100kΩ ±5% ¼W	R312	1	1	1	RT05101140	Resistor, 100Ω ±5% ¼W
R212	1	1	1	RA01030250	Trimming Resistor, 10kΩ B	R313	1	1	1	RT05303140	Resistor, 30kΩ ±5% ¼W
R213	1	1	1	RT05123140	Resistor, 12kΩ ±5% ¼W	R314	1	1	1	RT05303140	Resistor, 30kΩ ±5% ¼W
R214	1	1	1	RT05331140	Resistor, 330Ω ±5% ¼W	R315	1	1	1	RT05473140	Resistor, 47kΩ ±5% ¼W
R215	1	1	1	RA05030120	Trimming Resistor, 50kΩ B	R316	1	1	1	RT05473140	Resistor, 47kΩ ±5% ¼W
R216	1	1	1	RT05562140	Resistor, 5.6kΩ ±5% ¼W	R317	1	1	1	RA05040080	Trimming Resistor, 50kΩ B
						R318	1	1	1	RT05473140	Resistor, 47kΩ ±5% ¼W
						R319	1	1	1	RT05273140	Resistor, 27kΩ ±5% ¼W
						R320	1	1	1	RT05273140	Resistor, 27kΩ ±5% ¼W

- (U) for U.S.A.
- (C) for Canada
- (N) for Europe

REF. DESIG.	Q'TY			PART NO.	DESCRIPTION	REF. DESIG.	Q'TY			PART NO.	DESCRIPTION
	U	C	N				U	C	N		
R321	1	1	1	RT05332140	Resistor, 3.3kΩ ±5% ¼W	R401	1	1	1	RT05913140	Resistor, 91kΩ ±5% ¼W
R322	1	1	1	RT05332140	Resistor, 3.3kΩ ±5% ¼W	R402	1	1	1	RT05913140	Resistor, 91kΩ ±5% ¼W
R323	1	1	1	RT05332140	Resistor, 3.3kΩ ±5% ¼W	R403	1	1	1	RT05471140	Resistor, 470Ω ±5% ¼W
R324	1	1	1	RT05332140	Resistor, 3.3kΩ ±5% ¼W	R404	1	1	1	RT05471140	Resistor, 470Ω ±5% ¼W
R325	1	1	1	RT05243140	Resistor, 24kΩ ±5% ¼W	R405	1	1	1	RT05394140	Resistor, 390kΩ ±5% ¼W
R326	1	1	1	RT05243140	Resistor, 24kΩ ±5% ¼W	R406	1	1	1	RT05394140	Resistor, 390kΩ ±5% ¼W
R327	1	1	1	RT05394140	Resistor, 390kΩ ±5% ¼W	R407	1	1	1	RT05223140	Resistor, 22kΩ ±5% ¼W
R328	1	1	1	RT05394140	Resistor, 390kΩ ±5% ¼W	R408	1	1	1	RT05223140	Resistor, 22kΩ ±5% ¼W
R329	1	1	1	RT05105140	Resistor, 1MΩ ±5% ¼W	R409	1	1	1	RT05681140	Resistor, 680Ω ±5% ¼W
R330	1	1	1	RT05105140	Resistor, 1MΩ ±5% ¼W	R410	1	1	1	RT05681140	Resistor, 680Ω ±5% ¼W
R331	1	1	1	RT05391140	Resistor, 390Ω ±5% ¼W	R411	1	1	1	RT05104140	Resistor, 100kΩ ±5% ¼W
R332	1	1	1	RT05391140	Resistor, 390Ω ±5% ¼W	R412	1	1	1	RT05104140	Resistor, 100kΩ ±5% ¼W
R333	1	1	1	RT05222140	Resistor, 2.2kΩ ±5% ¼W	R413	1	1	1	RT05303140	Resistor, 30kΩ ±5% ¼W
R334	1	1	1	RT05222140	Resistor, 2.2kΩ ±5% ¼W	R414	1	1	1	RT05303140	Resistor, 30kΩ ±5% ¼W
R335	1	1	1	RT05473140	Resistor, 47kΩ ±5% ¼W	R415	1	1	1	RT05562140	Resistor, 5.6kΩ ±5% ¼W
R336	1	1	1	RT05473140	Resistor, 47kΩ ±5% ¼W	R416	1	1	1	RT05562140	Resistor, 5.6kΩ ±5% ¼W
R337	1	1	1	RT05101140	Resistor, 100Ω ±5% ¼W	R417	1	1	1	RT05182140	Resistor, 1.8kΩ ±5% ¼W
R338	1	1	1	RT05101140	Resistor, 100Ω ±5% ¼W	R418	1	1	1	RT05182140	Resistor, 1.8kΩ ±5% ¼W
R339	1	1	1	RT05101140	Resistor, 100Ω ±5% ¼W	R419	1	1	1	RT05472140	Resistor, 4.7kΩ ±5% ¼W
R340	1	1	1	RT05201140	Resistor, 200Ω ±5% ¼W	R420	1	1	1	RT05472140	Resistor, 4.7kΩ ±5% ¼W
C401	1	1	1	EV22502560	Electrolytic Cap., 2.2μF ±20% 25V	R421	1	1	1	RT05224140	Resistor, 220kΩ ±5% ¼W
C402	1	1	1	EV22502560	Electrolytic Cap., 2.2μF ±20% 25V	R422	1	1	1	RT05224140	Resistor, 220kΩ ±5% ¼W
C403	1	1	1	DD16201010	Ceramic Cap., 200pF ±10% 50V	R423	1	1	1	RT05473140	Resistor, 47kΩ ±5% ¼W
C404	1	1	1	DD16201010	Ceramic Cap., 200pF ±10% 50V	R424	1	1	1	RT05473140	Resistor, 47kΩ ±5% ¼W
C405	1	1	1	DD16151010	Ceramic Cap., 150pF ±10% 50V	R425	1	1	1	RT05152140	Resistor, 1.5kΩ ±5% ¼W
C406	1	1	1	DD16151010	Ceramic Cap., 150pF ±10% 50V	R426	1	1	1	RT05152140	Resistor, 1.5kΩ ±5% ¼W
C407	1	1	1	EV22600660	Electrolytic Cap., 22μF ±20% 6.3V	R427	1	1	1	RT05564140	Resistor, 560kΩ ±5% ¼W
C408	1	1	1	EV22600660	Electrolytic Cap., 22μF ±20% 6.3V	R428	1	1	1	RT05564140	Resistor, 560kΩ ±5% ¼W
C409	1	1	1	DD16300010	Ceramic Cap., 30pF ±10% 50V	R429	1	1	1	RT05101140	Resistor, 100Ω ±5% ¼W
C410	1	1	1	DD16300010	Ceramic Cap., 30pF ±10% 50V	R430	1	1	1	GF05430120	Resistor, 43Ω ±5% ¼W
C411	1	1	1	EA47601690	Electrolytic Cap., 47μF ±50% 16V	S401	1	1	1	SR16050020	Rotary Switch, Selector
C412	1	1	1	EA47601690	Electrolytic Cap., 47μF ±50% 16V	C701	1	1	1	EE33502540	Electrolytic Cap., 3.3μF ±20% 25V
C413	1	1	1	DD16101010	Ceramic Cap., 100pF ±10% 50V	C702	1	1	1	EE33502540	Electrolytic Cap., 3.3μF ±20% 25V
C414	1	1	1	DD16101010	Ceramic Cap., 100pF ±10% 50V	C703	1	1	1	DD16201010	Ceramic Cap., 200pF ±10% 50V
C415	1	1	1	EE22503510	Electrolytic Cap., 2.2μF ±20% 35V	C704	1	1	1	DD16201010	Ceramic Cap., 200pF ±10% 50V
C416	1	1	1	EE22503510	Electrolytic Cap., 2.2μF ±20% 35V	C705	1	1	1	EE47601640	Electrolytic Cap., 47μF ±20% 16V
C417	1	1	1	DF15152010	Film Cap., 0.0015μF ±5% 50V	C706	1	1	1	EE47601640	Electrolytic Cap., 47μF ±20% 16V
C418	1	1	1	DF15152010	Film Cap., 0.0015μF ±5% 50V	C707	1	1	1	DD11050500	Ceramic Cap., 5pF ±0.25pF 500V
C419	1	1	1	DF15562010	Film Cap., 0.0056μF ±5% 50V	C708	1	1	1	DD11050500	Ceramic Cap., 5pF ±0.25pF 500V
C420	1	1	1	DF15562010	Film Cap., 0.0056μF ±5% 50V	C709	1	1	1	EA47605090	Electrolytic Cap., 47μF ±50% 50V
C421	1	1	1	EA10705090	Electrolytic Cap., 100μF ±50% 50V	C710	1	1	1	EA47605090	Electrolytic Cap., 47μF ±50% 50V
C422	1	1	1	EA47601090	Electrolytic Cap., 47μF ±50% 10V	C711	1	1	1	DF16103050	Film Cap., 0.01μF ±10% 50V
J401	49	49	49	YP10001130	Plug	C712	1	1	1	DF16103050	Film Cap., 0.01μF ±10% 50V
J449						C713	1	1	1	DF16103050	Film Cap., 0.01μF ±10% 50V
L401	1	1	1	LC11540020	Choke Coil, 150μH	C714	1	1	1	DF16103050	Film Cap., 0.01μF ±10% 50V
P400	1	1	1	YK22090210	P.W. Board	C715	1	1	1	DF17104010	Film Cap., 0.1μF ±20% 50V
	1	1	1	ZZ22090210	P.W. Board Assembly	C716	1	1	1	DF17104010	Film Cap., 0.1μF ±20% 50V
Q401	1	1	1	HT316811B0	Transistor, 2SC1681 (BL)	C717	1	1	1	DF17104010	Film Cap., 0.1μF ±20% 50V
Q402	1	1	1	HT316811B0	Transistor, 2SC1681 (BL)	C718	1	1	1	DF17104010	Film Cap., 0.1μF ±20% 50V
Q403	1	1	1	HT316812A0	Transistor, 2SC1681 (GR, BL)	C719	1	1	1	EE10601640	Electrolytic Cap., 10μF ±20% 16V
Q404	1	1	1	HT316812A0	Transistor, 2SC1681 (GR, BL)	C720	1	1	1	EE10601640	Electrolytic Cap., 10μF ±20% 16V
Q405	1	1	1	HT316811B0	Transistor, 2SC1681 (BL)	C721	1	1	1	EE10601640	Electrolytic Cap., 10μF ±20% 16V
Q406	1	1	1	HT316811B0	Transistor, 2SC1681 (BL)	C722	1	1	1	DK16101500	Ceramic Cap., 100pF ±10% 500V
Q407	1	1	1	HD20001210	Diode, 1S2472	C723	1	1	1	DK16101500	Ceramic Cap., 100pF ±10% 500V
						C724	1	1	1	DK16101500	Ceramic Cap., 100pF ±10% 500V
						C725	1	1	1	DK16101500	Ceramic Cap., 100pF ±10% 500V
						C726	1	1	1	DK16101500	Ceramic Cap., 100pF ±10% 500V

• (U) for U.S.A.
 • (C) for Canada
 • (N) for Europe

REF. DESIG.	Q'TY			PART NO.	DESCRIPTION
	U	C	N		
C727	1	1	1	DF17104520	Film Cap., 0.1μF ±20% 200V
C728	1	1	1	DF17104520	Film Cap., 0.1μF ±20% 200V
C729	1	1	1	EA22705090	Electrolytic Cap., 220μF ±30% 50V
C730	1	1	1	EA47601690	Electrolytic Cap., 47μF ±50% 16V
C731	1	1	1	EA33701090	Electrolytic Cap., 330μF ±30% 10V
C732	1	1	1	DK18103510	Ceramic Cap., 0.01μF ±20% 500V
C733	1	1	1	EA47706310	Electrolytic Cap., 470μF ±30% 63V
C734	1	1	1	EA10706310	Electrolytic Cap., 100μF ±50% 63V
C735	1	1	1	EA33605090	Electrolytic Cap., 33μF ±50% 50V
C736	1	1	1	DF17473050	Film Cap., 0.047μF ±20% 50V
C737	1	1	1	EA10701690	Electrolytic Cap., 100μF ±50% 16V
C738	1	1	1	EA10605090	Electrolytic Cap., 10μF ±50% 50V
C739	1	1	1	EA10801690	Electrolytic Cap., 1000μF ±50% 16V
F701	1	1		FS10100080	Fuse, MGC 1A 30mm
F701			1	FS10100800	Fuse, 1AT 20mm SEMKO
F702	1	1		FS10200060	Fuse, MGC 2A 30mm
F702			1	FS10200800	Fuse, 2AT 20mm SEMKO
J701					
J728	28	28	28	YP10001130	Plug
J729					
J732	4	4	4	YJ08000210	Jack, Fuse Holder
J733					
J736	4	4	4	YJ05000260	Jack, TR Socket
L701	1	1	1	LC22620010	Choke Coil, 2.6μH
L702	1	1	1	LC22620010	Choke Coil, 2.6μH
L703	1	1	1	LY40240050	Relay
P700	1	1	1	YG22070010	P700 MAIN AMP. & POWER SUPPLY BOARD P.W. Board
	1	1	1	ZZ22091010	P.W. Board Assembly
Q701	1	1	1	HT107502B0	Transistor, 2SA750 (T, U)
Q702	1	1	1	HT107502B0	Transistor, 2SA750 (T, U)
Q703	1	1	1	HT107502B0	Transistor, 2SA750 (T, U)
Q704	1	1	1	HT107502B0	Transistor, 2SA750 (T, U)
Q705	1	1	1	HT318853B0	Transistor, 2SC1885 (Q, R, S)
Q706	1	1	1	HT318853B0	Transistor, 2SC1885 (Q, R, S)
Q707	1	1	1	HT404152B0	Transistor, 2SD415 (Q, R)
Q708	1	1	1	HT404152B0	Transistor, 2SD415 (Q, R)
Q709	1	1	1	HT205492B0	Transistor, 2SB549 (Q, R)
Q710	1	1	1	HT205492B0	Transistor, 2SB549 (Q, R)
Q711	1	1	1	HT313432B0	Transistor, 2SC1343 (B, C)
Q712	1	1	1	HT313432B0	Transistor, 2SC1343 (B, C)
Q713	1	1	1	HT107532B0	Transistor, 2SA753 (B, C)
Q714	1	1	1	HT107532B0	Transistor, 2SA753 (B, C)
Q715	1	1	1	HT309451Q0	Transistor, 2SC945 (Q)
Q716	1	1	1	HT309451Q0	Transistor, 2SC945 (Q)
Q717	1	1	1	HT107331Q0	Transistor, 2SA733 (Q)
Q718	1	1	1	HT107331Q0	Transistor, 2SA733 (Q)
Q719	1	1	1	HV00003120	Varistor, MV-13
Q720	1	1	1	HV00003120	Varistor, MV-13
Q721	1	1	1	HV00003120	Varistor, MV-13
Q722	1	1	1	HV00003120	Varistor, MV-13
Q723	1	1	1	HD20002210	Diode, 1S2472 (GR)
Q724	1	1	1	HD20002210	Diode, 1S2472 (GR)

REF. DESIG.	Q'TY			PART NO.	DESCRIPTION
	U	C	N		
Q725	1	1	1	HD20002210	Diode, 1S2472 (GR)
Q726	1	1	1	HD20002210	Diode, 1S2472 (GR)
Q727	1	1	1	HD20002210	Diode, 1S2472 (GR)
Q728	1	1	1	HD20002210	Diode, 1S2472 (GR)
Q729	1	1	1	HD20002210	Diode, 1S2472 (GR)
Q730	1	1	1	HD20002210	Diode, 1S2472 (GR)
Q731	1	1	1	HD20002210	Diode, 1S2472 (GR)
Q732	1	1	1	HD20002210	Diode, 1S2472 (GR)
Q733	1	1	1	HD20002210	Diode, 1S2472 (GR)
Q734	1	1	1	HD20002210	Diode, 1S2472 (GR)
Q735	1	1	1	HH00003030	Thermistor, STD-04
Q736	1	1	1	HH00003030	Thermistor, STD-04
Q737	1	1	1	HD20005010	Diode, W06B
Q738	1	1	1	HD20005010	Diode, W06B
Q739	1	1	1	HD20005010	Diode, W06B
Q740	1	1	1	HD20005010	Diode, W06B
Q741	1	1	1	HV00005080	Varistor, STV-3H (Y)
Q742	1	1	1	HV00005080	Varistor, STV-3H (Y)
Q743	1	1	1	HT309452A0	Transistor, 2SC945 (Q, R)
Q744	1	1	1	HT309452A0	Transistor, 2SC945 (R, Q)
Q745	1	1	1	HT313182C0	Transistor, 2SC1318 (R, S)
Q746	1	1	1	HD20003210	Diode, 1S2471 (BK)
Q747	1	1	1	HD20011030	Diode, DS-131E
Q748	1	1	1	HD20012030	Diode, DS-132E
Q749	1	1	1	HD20005010	Diode, W06B
Q750	1	1	1	HT318853B0	Transistor, 2SC1885 (Q, R, S)
Q751	1	1	1	HT309452A0	Transistor, 2SC945 (P, Q)
Q752	1	1	1	HD30025090	Zener, WZ-150
Q753	1	1	1	HT403302A0	Transistor, 2SD330 (D, E)
R701	1	1	1	RT05102140	Resistor, 1kΩ ±5% ¼W
R702	1	1	1	RT05102140	Resistor, 1kΩ ±5% ¼W
R703	1	1	1	RT05333140	Resistor, 33kΩ ±5% ¼W
R704	1	1	1	RT05333140	Resistor, 33kΩ ±5% ¼W
R705	1	1	1	RT05682140	Resistor, 6.8kΩ ±5% ¼W
R706	1	1	1	RT05682140	Resistor, 6.8kΩ ±5% ¼W
R707	1	1	1	RT05102140	Resistor, 1kΩ ±5% ¼W
R708	1	1	1	RT05102140	Resistor, 1kΩ ±5% ¼W
R709	1	1	1	RT05472140	Resistor, 4.7kΩ ±5% ¼W
R710	1	1	1	RT05472140	Resistor, 4.7kΩ ±5% ¼W
R711	1	1	1	RA05020200	Trimming Resistor, 5kΩ (B)
R712	1	1	1	RA05020200	Trimming Resistor, 5kΩ (B)
R713	1	1	1	RT05103140	Resistor, 10kΩ ±5% ¼W
R714	1	1	1	RT05103140	Resistor, 10kΩ ±5% ¼W
R715	1	1	1	RT05224140	Resistor, 220kΩ ±5% ¼W
R716	1	1	1	RT05224140	Resistor, 220kΩ ±5% ¼W
R717	1	1	1	RT05242140	Resistor, 2.4kΩ ±5% ¼W
R718	1	1	1	RT05242140	Resistor, 2.4kΩ ±5% ¼W
R719	1	1	1	RT05333140	Resistor, 33kΩ ±5% ¼W
R720	1	1	1	RT05333140	Resistor, 33kΩ ±5% ¼W
R721	1	1	1	GF05330140	Resistor, 33Ω ±5% ¼W
R722	1	1	1	GF05330140	Resistor, 33Ω ±5% ¼W
R723	1	1	1	RT05242140	Resistor, 2.4kΩ ±5% ¼W
R724	1	1	1	RT05242140	Resistor, 2.4kΩ ±5% ¼W
R725	1	1	1	RT05472140	Resistor, 4.7kΩ ±5% ¼W
R726	1	1	1	RT05472140	Resistor, 4.7kΩ ±5% ¼W
R727	1	1	1	RT05152140	Resistor, 1.5kΩ ±5% ¼W
R728	1	1	1	GF05220120	Resistor, 22Ω ±5% ¼W

• (U) for U.S.A.
• (C) for Canada
• (N) for Europe

REF. DESIG.	QTY			PART NO.	DESCRIPTION		REF. DESIG.	QTY			PART NO.	DESCRIPTION			
	U	C	N					U	C	N					
R729	1	1	1	RT05820140	Resistor,	82Ω ±5%	¼W	R786	1	1	1	RT05223140	Resistor,	22kΩ ±5%	¼W
R730	1	1	1	RT05820140	Resistor,	82Ω ±5%	¼W	R787	1	1	1	RA05020200	Trimming Resistor,	5kΩ (B)	
R731	1	1	1	RA01020210	Trimming Resistor,	1kΩ (B)		R788	1	1	1	RT05153140	Resistor,	15kΩ ±5%	¼W
R732	1	1	1	RA01020210	Trimming Resistor,	1kΩ (B)		S701	1	1	1	SP04020200	Pushswitch,	Spkr System 1-2	
R733	1	1	1	RT05161140	Resistor,	160Ω ±5%	¼W								
R734	1	1	1	RT05161140	Resistor,	160Ω ±5%	¼W								
R735	1	1	1	GF05271140	Resistor,	270Ω ±5%	¼W								
R736	1	1	1	GF05271140	Resistor,	270Ω ±5%	¼W								
R737	1	1	1	GF05271140	Resistor,	270Ω ±5%	¼W								
R738	1	1	1	GF05271140	Resistor,	270Ω ±5%	¼W								
R739	1	1	1	GF05221140	Resistor,	220Ω ±5%	¼W								
R740	1	1	1	GF05221140	Resistor,	220Ω ±5%	¼W								
R741	1	1	1	GF05221140	Resistor,	220Ω ±5%	¼W								
R742	1	1	1	GF05221140	Resistor,	220Ω ±5%	¼W								
R743	1	1	1	GF05221140	Resistor,	220Ω ±5%	¼W								
R744	1	1	1	GF05221140	Resistor,	220Ω ±5%	¼W								
R745	1	1	1	GF05221140	Resistor,	220Ω ±5%	¼W								
R746	1	1	1	GF05221140	Resistor,	220Ω ±5%	¼W								
R747	1	1	1	GF05242140	Resistor,	2.4kΩ ±5%	¼W								
R748	1	1	1	GF05242140	Resistor,	2.4kΩ ±5%	¼W								
R749	1	1	1	GF05272140	Resistor,	2.7kΩ ±5%	¼W								
R750	1	1	1	GF05272140	Resistor,	2.7kΩ ±5%	¼W								
R751	1	1	1	GF05243140	Resistor,	24kΩ ±5%	¼W								
R752	1	1	1	GF05243140	Resistor,	24kΩ ±5%	¼W								
R753	1	1	1	GF05100140	Resistor,	10Ω ±5%	¼W								
R754	1	1	1	GF05100140	Resistor,	10Ω ±5%	¼W								
R755	1	1	1	GF05100140	Resistor,	10Ω ±5%	¼W								
R756	1	1	1	GF05100140	Resistor,	10Ω ±5%	¼W								
R757	1	1	1	GF05101120	Resistor,	100Ω ±5%	½W								
R758	1	1	1	GF05101120	Resistor,	100Ω ±5%	½W								
R759	1	1	1	GF05101120	Resistor,	100Ω ±5%	½W								
R760	1	1	1	GF05101120	Resistor,	100Ω ±5%	½W								
R761	1	1	1	GJ05100020	Resistor,	10Ω ±5%	2W								
R762	1	1	1	GJ05100020	Resistor,	10Ω ±5%	2W								
R763	1	1	1	GW10392050	Resistor,	0.39Ω ±10%	5W								
R764	1	1	1	GW10392050	Resistor,	0.39Ω ±10%	5W								
R765	1	1	1	GW10392050	Resistor,	0.39Ω ±10%	5W								
R766	1	1	1	GW10392050	Resistor,	0.39Ω ±10%	5W								
R767	1	1	1	RC10022120	Resistor,	2.2Ω ±10%	½W								
R768	1	1	1	RC10022120	Resistor,	2.2Ω ±10%	½W								
R769	1	1	1	RC10562120	Resistor,	5.6kΩ ±10%	½W								
R770	1	1	1	RC10562120	Resistor,	5.6kΩ ±10%	½W								
R771	1	1	1	RT05223140	Resistor,	22kΩ ±5%	¼W								
R772	1	1	1	RT05183140	Resistor,	18kΩ ±5%	¼W								
R773	1	1	1	RT05682140	Resistor,	6.8kΩ ±5%	¼W								
R774	1	1	1	RT05393140	Resistor,	39kΩ ±5%	¼W								
R775	1	1	1	RT05184140	Resistor,	180kΩ ±5%	¼W								
R776	1	1	1	GJ05471010	Resistor,	470Ω ±5%	1W								
R777	1	1	1	GJ05331020	Resistor,	330Ω ±5%	2W								
R778	1	1	1	GJ05331020	Resistor,	330Ω ±5%	2W								
R779	1	1	1	GJ05151010	Resistor,	150Ω ±5%	1W								
R780	1	1	1	GJ05151010	Resistor,	150Ω ±5%	1W								
R781	1	1	1	GS10101070	Resistor,	100Ω ±10%	7W								
R782	1	1	1	GF05220120	Resistor,	22Ω ±5%	½W								
R783	1	1	1	RT05152140	Resistor,	1.5kΩ ±5%	¼W								
R784	1	1	1	RT05152140	Resistor,	1.5kΩ ±5%	¼W								
R785	1	1	1	RT05392140	Resistor,	3.9kΩ ±5%	¼W								

18. TECHNICAL SPECIFICATIONS

FOR U.S.A. MODEL ONLY

AMPLIFIER SECTION:

RATED POWER OUTPUT, MINIMUM CONTINUOUS AVERAGE POWER PER CHANNEL, BOTH CHANNELS DRIVEN. 52W
POWER BAND 20 Hz to 20 kHz
TOTAL HARMONIC DISTORTION 0.05%
LOAD IMPEDANCE 8 OHMS
RATED POWER OUTPUT, MINIMUM CONTINUOUS AVERAGE POWER PER CHANNEL, BOTH CHANNELS DRIVEN. 65W
POWER BAND 20 Hz to 20 kHz
TOTAL HARMONIC DISTORTION 0.1%
LOAD IMPEDANCE 4 OHMS

I.M. Distortion
 (I.H.F. method, 60 Hz and 7 kHz mixed 4:1 at rated power output)
 at 8 ohm load impedance 0.05%
 at 4 ohm load impedance 0.1%
Damping Factor (at 20 Hz) 45
Sensitivity (at MAIN IN) 1.5V
Impedance (at MAIN IN) 33k ohms
Frequency Response for Power Amp Only
 (at 1 Watt output, 20 Hz to 20 kHz) ±0.2 dB

PREAMPLIFIER SECTION:

Phono
Input Overload at 1 kHz 100 mV
Equivalent Input Noise 1.5μV
Dynamic Range
 (Dynamic Range is the ratio of input overload to equivalent input noise) 96 dB
Input Sensitivity 1.8 mV
Input Impedance 47k ohms
Input Capacitance 100 pF
Frequency Response, RIAA 20 Hz to 20 kHz ±0.75 dB
Signal-to-Noise Ratio
 (at rated output and 7.75 mV input) 76 dB
High Level (Aux and Tape)
Input Sensitivity 180 mV
Input Impedance 20k ohms
Frequency Response
 (includes power amp) 10 Hz to 60 kHz ± 1.25 dB
Signal-to-Noise Ratio
 (ref. to rated output and 775 mV input) 90 dB
Output Levels
Tape Out (ref. 7.75 mV at Phono inputs) 775 mV
Pre-Out (ref. 180 mV at Aux inputs) 1.5V
 (ref. 500 mV at Aux inputs, main amp disconnected) 4.2V
Output Impedance
Tape Out 600 ohms
Pre-Out 900 ohms

FM TUNER SECTION:

Sensitivity
IHF Usable 10.8 dBf (1.9μV)
IHF 50 dB Quieting (Mono) 16.1 dBf (3.2μV)
 (Stereo) 37.3 dBf (40μV)
Quieting Slope (Mono)
RF Input for 30 dB Quieting 9.3 dBf (1.6μV)
Quieting at:
 20 dBf (5.5μV) 55 dB
 25 dBf (10μV) 60 dB
 40 dBf (55μV) 70 dB
 65 dBf (1000μV) 75 dB
Quieting Slope (Stereo)
Quieting at:

30 dBf (17μV) 42 dB
 40 dBf (55μV) 53 dB
 50 dBf (173μV) 58 dB
 65 dBf (1000μV) 65 dB
Distortion (Mono) at 65 dBf (1000μV)
 100 Hz 0.25%
 1000 Hz 0.15%
 6000 Hz 0.35%
Distortion (Stereo) at 65 dBf (1000μV)
 100 Hz 0.35%
 1000 Hz 0.3%
 6000 Hz 0.55%
Distortion (Mono and Stereo)
 at 50 dB Quieting, 1000 Hz 0.6%
Hum and Noise
 at 65 dBf (1000μV)
 Mono 73 dB
Frequency Response
 30 Hz to 15 kHz
 Mono +0.2 dB, -1.5 dB
 Stereo ±1.5 dB
Capture Ratio at 65 dBf (1000μV) 1.0 dB
Alternate Channel Selectivity 70 dB
Spurious Response Rejection 90 dB
Image Response Rejection 70 dB
I.F. Rejection (Balanced) 95 dB
A.M. Suppression 50 dB
Stereo Separation
 100 Hz 40 dB
 1000 Hz 45 dB
 10 kHz 40 dB
Subcarrier Rejection 60 dB

AM TUNER SECTION:

IHF Usable Sensitivity 15μV
Distortion (THD), 30% Modulation 0.5%
Signal-to-Noise Ratio 50 dB
Alternate Channel Selectivity 46 dB
Image Rejection 45 dB
Spurious Response Rejection 60 dB
I.F. Rejection 40 dB

GENERAL:
Power Requirements 120V AC, 60 Hz
Power Consumption at rated output, both channels operating 220W
Idling Power (Volume Control at zero) 35W
Dimensions:
Panel Width 440 mm (17-5/16 inches)
Panel Height 137 mm (5-3/8 inches)
Depth 362 mm (14-1/2 inches)
Weight:
Unit alone 14.2 kg (31.2 lbs)
Packed for Shipment 16.7 kg (36.7 lbs)

FOR EUROPEAN MODEL ONLY

AUDIO SECTION

POWER OUTPUT AT 1% DISTORTION	105W
RATED POWER OUTPUT, 1 kHz	72W
TOTAL HARMONIC DISTORTION AT RATED POWER OUTPUT, 1 kHz	0.1%
I.M. DISTORTION AT RATED POWER OUTPUT (I.H.F. METHOD, 300 Hz AND 10 kHz MIXED 4:1 AT RATED POWER OUTPUT)	0.1%
POWER BANDWIDTH, 1/2 RATED POWER OUTPUT	8 Hz ~ 30 kHz
LOAD IMPEDANCE	4 OHMS
POWER OUTPUT AT 1% DISTORTION	70W
RATED POWER OUTPUT, 1 kHz	57W
TOTAL HARMONIC DISTORTION AT RATED POWER OUTPUT, 1 kHz	0.05%
I.M. DISTORTION AT RATED POWER OUTPUT (I.H.F. METHOD, 300 Hz AND 10 kHz MIXED 4:1 AT RATED POWER OUTPUT)	0.1%
POWER BANDWIDTH, 1/2 RATED POWER OUTPUT	8 Hz ~ 30 kHz
LOAD IMPEDANCE	8 OHMS

Damping Factor, SP Output	
40 Hz	60
1 kHz	60
12.5 kHz	40
Frequency Response	
Phono ± 2 dB	18 Hz ~ 30 kHz
Aux ±1.5 dB	10 Hz ~ 40 kHz
Main In ±1.5 dB	10 Hz ~ 40 kHz
Signal-to-Noise Ratio, 1 kHz	
Phono	50 dB
Aux	50 dB
Main In	55 dB
Input Sensitivity, 1 kHz (Rated Input Voltage)	
Phono	1.8 mV
Aux	180 mV
Main In	1.5V
Input Impedance, 1 kHz	
Phono	47k ohms
Aux	20k ohms
Main In	33k ohms
Phono Equivalent Input Noise	1.8µV
Phono Dynamic Range	92 dB
Phono Input Capacitance	100 pF
Channel Balance	
Phono 0 ~ -40 dB	2.5 dB
Aux 40 ~ 16 kHz	2.0 dB
Main In	1.0 dB
Interchannel Crosstalk	
Phono 1 kHz	38 dB
250 Hz ~ 10 kHz	33 dB
Aux 1 kHz	45 dB
250 Hz ~ 10 kHz	30 dB
Tape 1 kHz	45 dB
250 Hz ~ 10 kHz	30 dB
Main In 1 kHz	55 dB
250 Hz ~ 10 kHz	50 dB
Intersource Crosstalk, Worst Point	
1 kHz	45 dB
250 Hz ~ 10 kHz	30 dB
Output Voltage, 1 kHz	
Tape Out	0.18V
Pre Out	1.5V
Output Impedance, 1 kHz	
Tape Out	50 ohms
Pre Out	600 ohms
Overload Margin, 1 kHz	
Phono	33 dB
Aux	50 dB
Power Consumption	
Idling	40W
Rated Power, 1 kHz	230W
FM TUNER SECTION:	
Frequency Range	87.5 ~ 108 MHz
Usable Sensitivity 40 kHz Deviation, 98 MHz	
Mono S/N 26 dB	1.5µV
Stereo S/N 46 dB	45µV
Alternate Channel Selectivity 98 MHz, ±300 kHz	50 dB
Image Response Rejection, 98 MHz	60 dB

IF Rejection, 98 MHz	80 dB
Spurious Response Rejection, 98 MHz	80 dB
AM Suppression, 98 MHz	50 dB
Signal-to-Noise Ratio at 98 MHz	
Un-weighted Mono	65 dB
Stereo	58 dB
Weighted Mono	68 dB
Stereo	62 dB
Pilot Signal & Subcarrier Rejection	
19 kHz	60 dB
38 kHz	65 dB
Total Harmonic Distortion at 98 MHz	
Mono	0.2%
Stereo	0.4%
Frequency Response	
30 Hz ~ 15 kHz	+0.2 dB, -2.0 dB
Separation	
250 ~ 6.3 kHz	40 dB
6.3 kHz ~ 12.5 kHz	35 dB
Channel Balance	0.5 dB
Output Voltage, 1 kHz	565 mV
Output Impedance, 1 kHz	2.3k ohms
Acceptacle Load Impedance, 1 kHz	47k ohms
Antenna Terminals	
Balanced	300 ohms
Unbalanced	75 ohms
AM TUNER SECTION:	
Frequency Range	515 ~ 1650 kHz
Usable Sensitivity 26 dB S/N 30% Mod., 1 MHz	25µV
Selectivity 1 MHz, ±9 kHz	20 dB
Image Rejection, 1 MHz	18 dB
IF Rejection, 1 MHz	3 dB
Spurious Response Rejection, 1 MHz	60 dB
Signal-to-Noise Ratio, 1 MHz	52 dB
Frequency Response 1 MHz, ±3 dB	40 Hz ~ 2.3 kHz
Total Harmonic Distortion, 1 MHz	0.5%
GENERAL:	
Power Requirements	220V ~, 50 Hz
(E and N versions are featuring an external voltage selector for use on 110/120/240V. Other versions can be converted by a qualified technician to operate on 110/120/240V.)	
Power Consumption at rated output, both channels operating	220W ± 15W
Idling Power	37W ± 7W
Semiconductor Complement	
Integrated Circuits	3
Transistors	46
Diodes	39
Field Effect Transistors	1
Dimensions	
Panel Width	440 mm (17-5/16 inches)
Panel Height	137 mm (5-25/64 inches)
Depth	365 mm (14-3/8 inches)
Weight	
Unit Alone	14.2 kg (31.3 lbs)
Packed for Shipment	16.7 kg (36.8 lbs)



marantz

MARANTZ CO., INC. · P. O. BOX 577 · CHATSWORTH, CALIFORNIA · 91311

A WHOLLY-OWNED SUBSIDIARY OF SUPERSCOPE INC., CHATSWORTH, CALIFORNIA · 91311

Model 2252B